

5. PARTS LIST SECTION

TITLE	PAGE	TITLE	PAGE
INTRODUCTION	5-2	PL 7.3 FRONT COVER ASSEMBLY .	5-22
PARTS LIST		COMMON HARDWARE	5-23
MAIN DRIVES		PART NUMBER INDEX	5-24
PL 1 1 MAIN DRIVE ASSEMBLY	5-4		
PL 1 2 TONER CARTRIDGE BRACKET	5-5		
PL 1 3 PAPER FEED/XEROGRAPHIC DRIVE ASSEMBLY	5-6		
PL 1 4 FUSER/PAPER TRANSPORT DRIVE ASSEMBLY	5-7		
PAPER FEED AND REGISTRATION			
PL 2 1 REGISTRATION AND TRANSFER COROTRON	5-8		
PL 2 2 STRIPPING AND COPY TRANSPORT. .	5-9		
PL 2 3 PAPER FEED ASSEMBLY (1 OF 2)	5-10		
PL 2 4 PAPER FEED ASSEMBLY (2 OF 2)	5-11		
PL 2 5 PAPER GUIDE/CLUTCH ASSEMBLY ..	5-12		
PL 2 6 PAPER FEED SOLENOID ASSEMBLY ...	5-13		
OPTICS			
PL 3 1 OPTIC ASSEMBLY	5-14		
XEROGRAPHICS			
PL 4 1 TONER CARTRIDGE	5-15		
PL 4 2 DRUM CARTRIDGE	5-16		
COPY TRANSPORTATION AND FUSING			
PL 5 1 FUSER ASSEMBLY	5-17		
ELECTRICAL COMPONENTS			
PL 6 1 MAIN PWB, HVPS	5-18		
PL 6 3 REAR ELECTRICAL COMPONENTS	5-19		
FRAMES AND COVERS			
PL 7 1 COVERS AND EXIT TRAY	5-20		
PL 7 2 PAPER TRAY, PLATEN AND TOP COVERS	5-21		

OVERVIEW

The Parts List section identifies all part numbers and the corresponding location of all spared subsystem components

ORGANIZATION

PARTS LISTS

Each item number in the part number listing corresponds to an item number in the related illustration. All the parts in a given subsystem of the machine will be located in the same illustration or in a series of associated illustrations.

ELECTRICAL CONNECTORS AND FASTENERS

This section contains the illustrations and descriptions of the plugs, jacks, and fasteners used in the machine. A part number listing of the connectors is included.

COMMON HARDWARE

The common hardware is listed in alphabetical order by the letter or letters used to identify each item in the part number listing and in the illustrations. Dimensions are in millimeters unless otherwise identified.

PART NUMBER INDEX

This index lists all the spared parts in the machine in numerical order. Each number is followed by a reference to the parts list on which the part may be found.

OTHER INFORMATION

ABBREVIATIONS

Abbreviations are used in the parts lists and the exploded view illustrations to provide information in a limited amount of space. The following abbreviations are used in this manual:

ADJ	ADJUSTMENT PROCEDURE
A	AMP
AC	ALTERNATING CURRENT
HZ	HERTZ
M	MILLIMETER
PL	PL (EX: PL2 4 OR PL2-A4)
P/O	PART OF
PWB	PRINTED WIRING BOARD
REF	REFERENCE
REP	REPAIR PROCEDURE
RX	RANK XEROX
US	UNITED STATES CUSTOMER OPERATIONS
V	VOLT
W/	WITH
W/O	WITHOUT
XCL	XEROX CANADA LIMITED
XLA	XEROX LATIN AMERICA

SYMBOLOLOGY

Symbology used in the Parts List section is identified in the Symbology section.

SUBSYSTEM INFORMATION

USE OF THE TERM "ASSEMBLY"

The term "assembly" will be used for items in the part number listing that include other itemized parts in the part number listing. When the word "assembly" is found in the part number listing, there will be a corresponding item number on the illustrations followed by a bracket and a listing of the contents of the assembly.

BRACKETS

A bracket is used when an assembly or kit is spared, but is not shown in the illustration. The item number of the assembly or kit precedes the bracket; the item numbers of the piece parts follow the bracket.

Tag

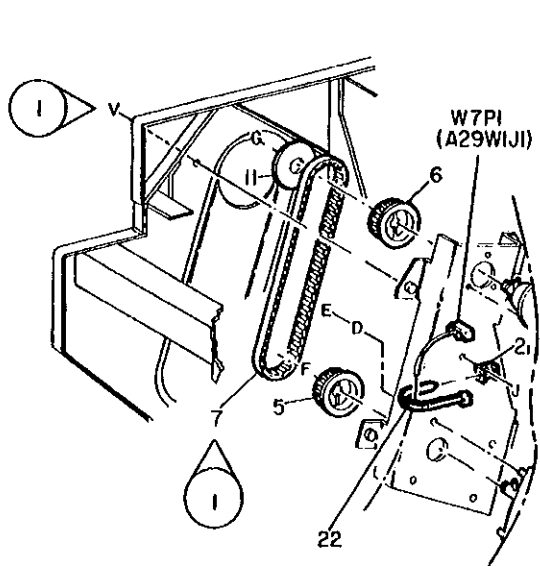
The notation "W/Tag" in the parts description indicates that the part configuration has been updated. Check the change Tag index in the General Information section of the Service Data for the name and purpose of the modification.

In some cases, a part or assembly may be spared in two versions: with the Tag and without the Tag. In those cases, use whichever part is appropriate for the configuration of the machine on which the part is to be installed. If the machine does not have a particular Tag and the only replacement part available is listed as "W/Tag," install the Tag kit or all of the piece parts. The Change Tag Index tells you which kit or piece parts you need.

Whenever you install a Tag kit or all the piece parts that make up a Tag, mark the appropriate number on the Tag matrix.

SYMBOLGY

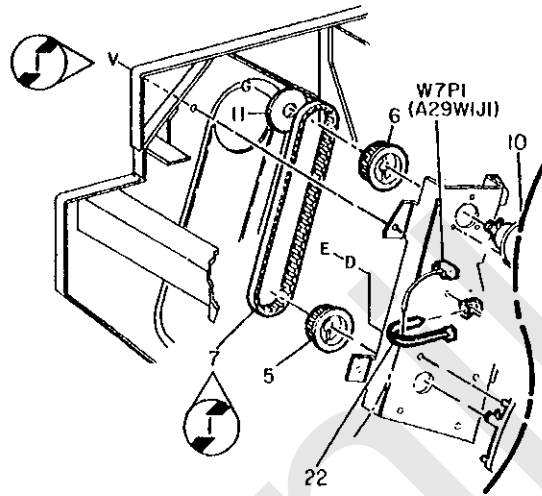
A tag number within a circle and pointing to an item number shows that the part has been changed by the tag number within the circle (Figure 1) Information on the modification is in the Change Tag Index



0	Z004	A
850	PL	M I

Figure 1 With Tag Symbol

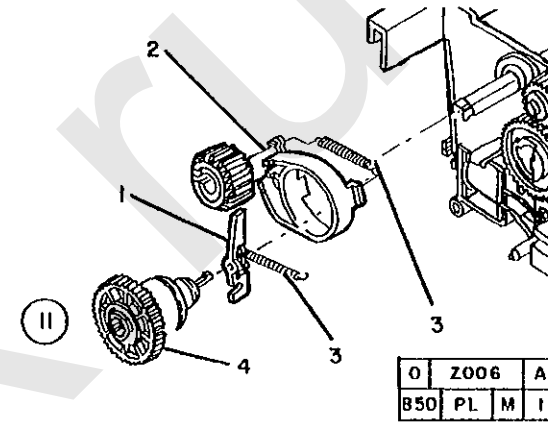
A tag number within a circle having a shaded bar and pointing to an item number shows that the configuration of the part shown is the configuration before the part was changed by the tag number within the circle (Figure 2)



0	Z005	A
850	PL	M I

Figure 2 Without Tag Symbol

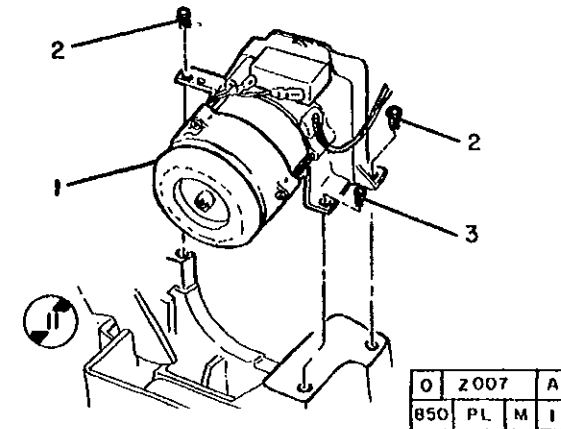
A tag number within a circle with no apex shows that the entire drawing has been changed by the tag number within the circle (Figure 3) Information on the modification is in the Change Tag Index.



0	Z006	A
850	PL	M I

Figure 3 Entire Drawing With Tag Symbol

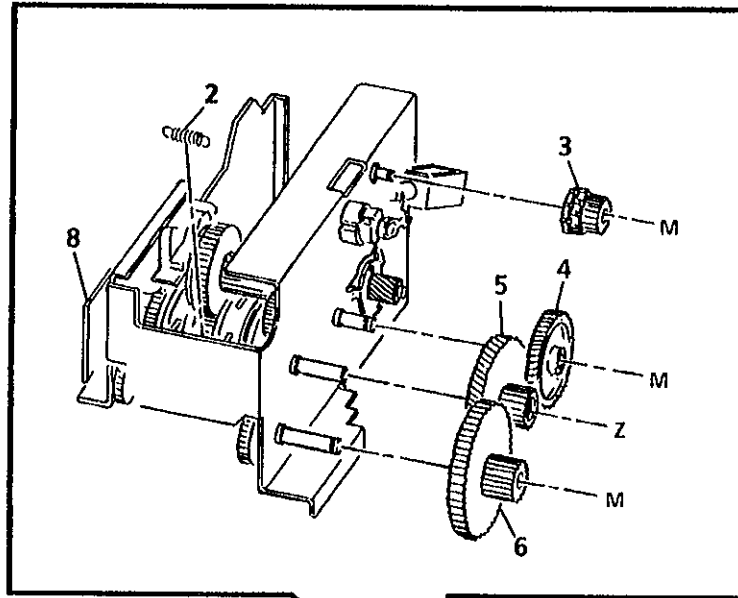
A tag number within a circle with no apex and having a shaded bar shows that the entire drawing was the configuration before being changed by the tag number within the circle (Figure 4)



0	Z007	A
850	PL	M I

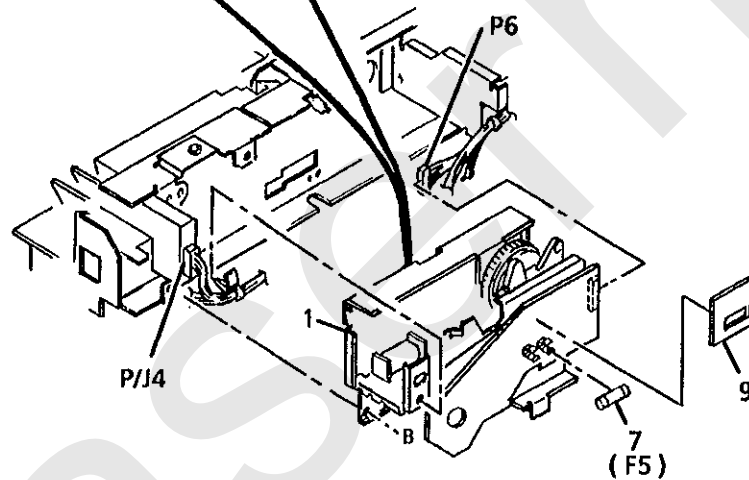
Figure 4 Entire Drawing Without Tag Symbol

PL 1.1 MAIN DRIVE ASSEMBLY



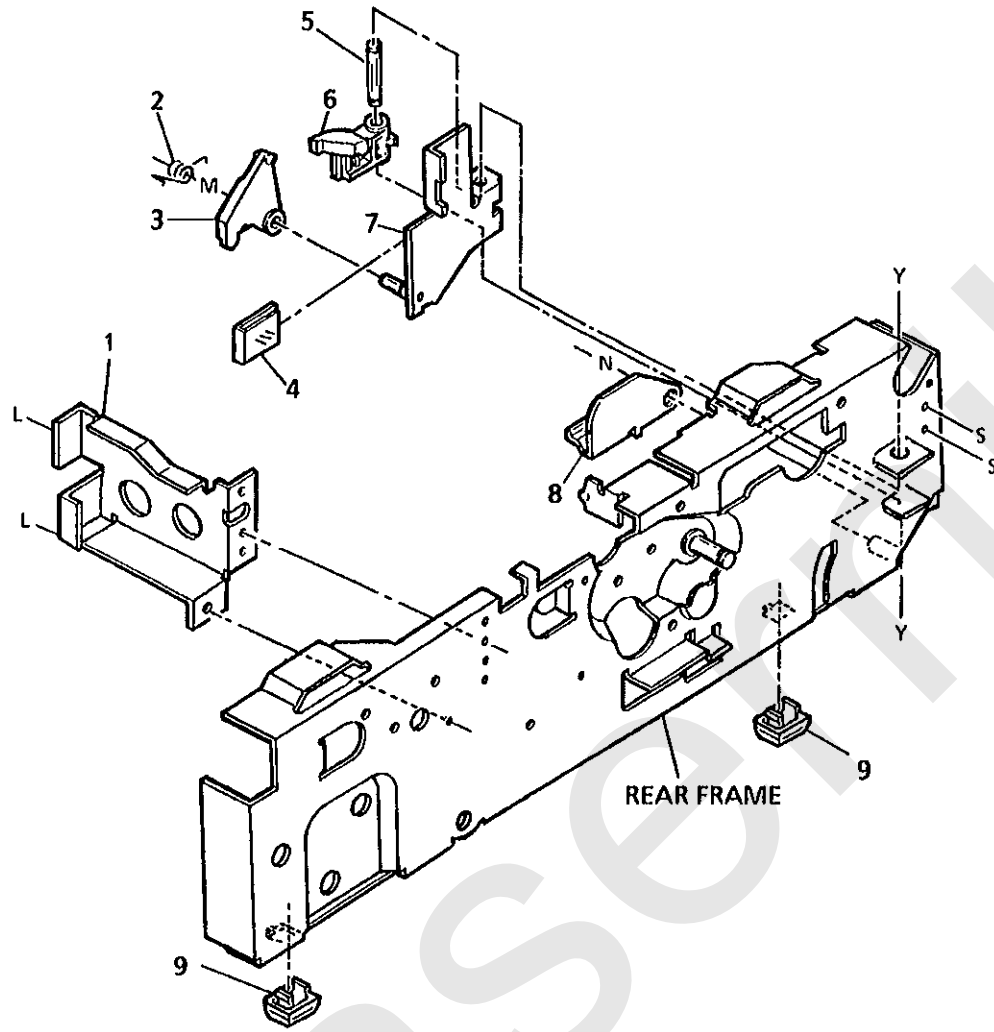
1 { 2 - 8

ITEM	PART	DESCRIPTION
1	7K6270	DRIVE ASSEMBLY (60HZ) (REP 4.1)
-	7K8690	DRIVE ASSEMBLY (50HZ) (REP 4.1)
2	9E25140	SPRING
3	7E14920	GEAR
4	7E14930	GEAR (70T/20T)
5	7E14940	GEAR (65T/20T)
6	7E14950	GEAR (65T/20T)
7	108E1340	FUSE (F5) (8A, 100V)
-	108E2560	FUSE (F5) (5A, 200V)
8	--	DRIVE ASSEMBLY PWB (P/O ITEM 1)
9	--	PWB PROTECTOR (NOT SPARED)



0	0001	B
SHK	PL	X 0

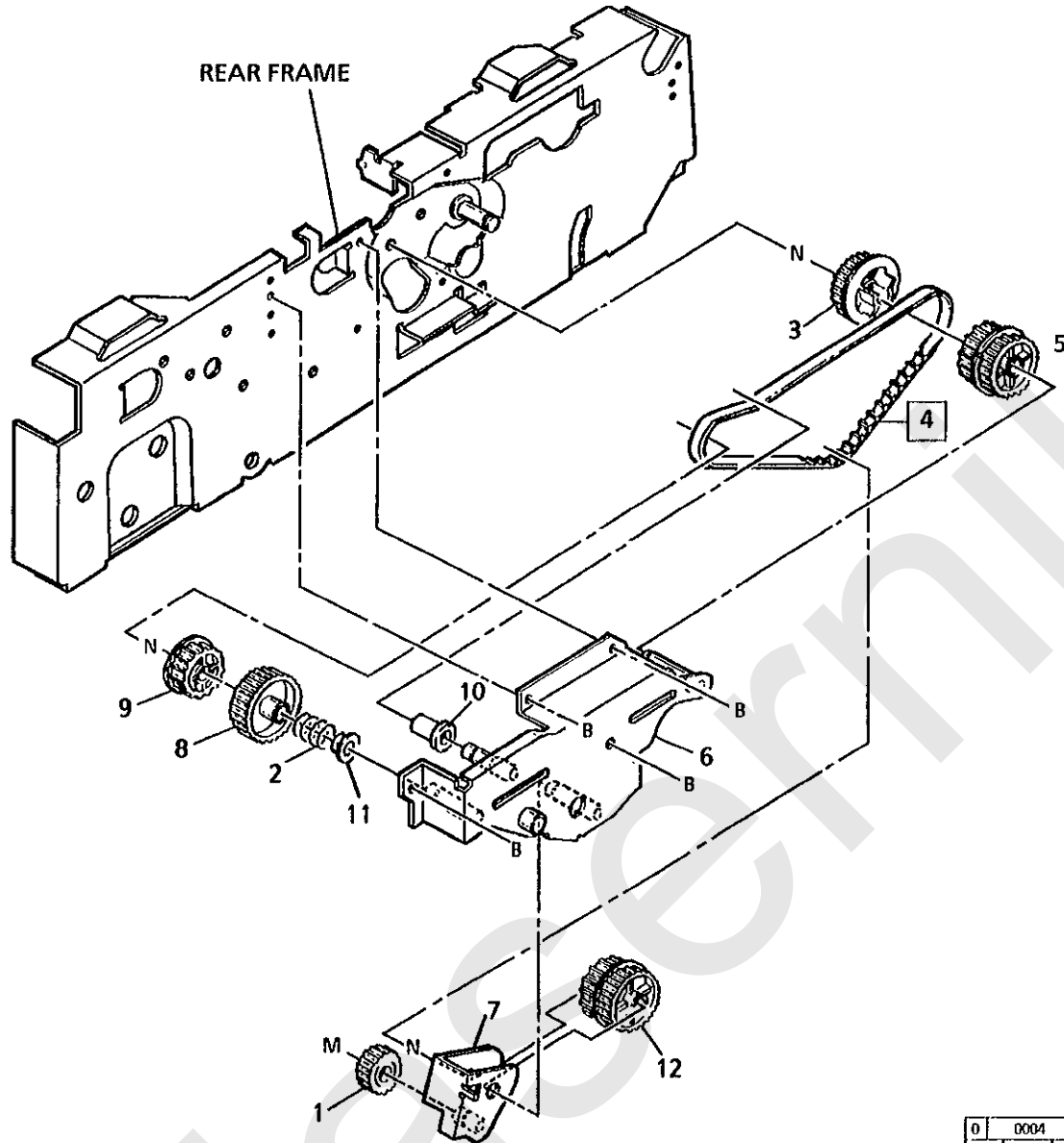
PL 1.2 TONER CARTRIDGE BRACKET



ITEM	PART	DESCRIPTION
1	--	SUPPORT BRACKET (NOT SPARED)
2	9E25040	SPRING
3	11E3460	LEVER
4	--	INSULATOR (NOT SPARED)
5	--	SHAFT (NOT SPARED)
6	11E3470	LEVER
7	--	BRACKET (NOT SPARED)
8	--	LEVER (NOT SPARED)
9	17E4000	REAR FOOT

0	0002	A
SHK	PL	X 0

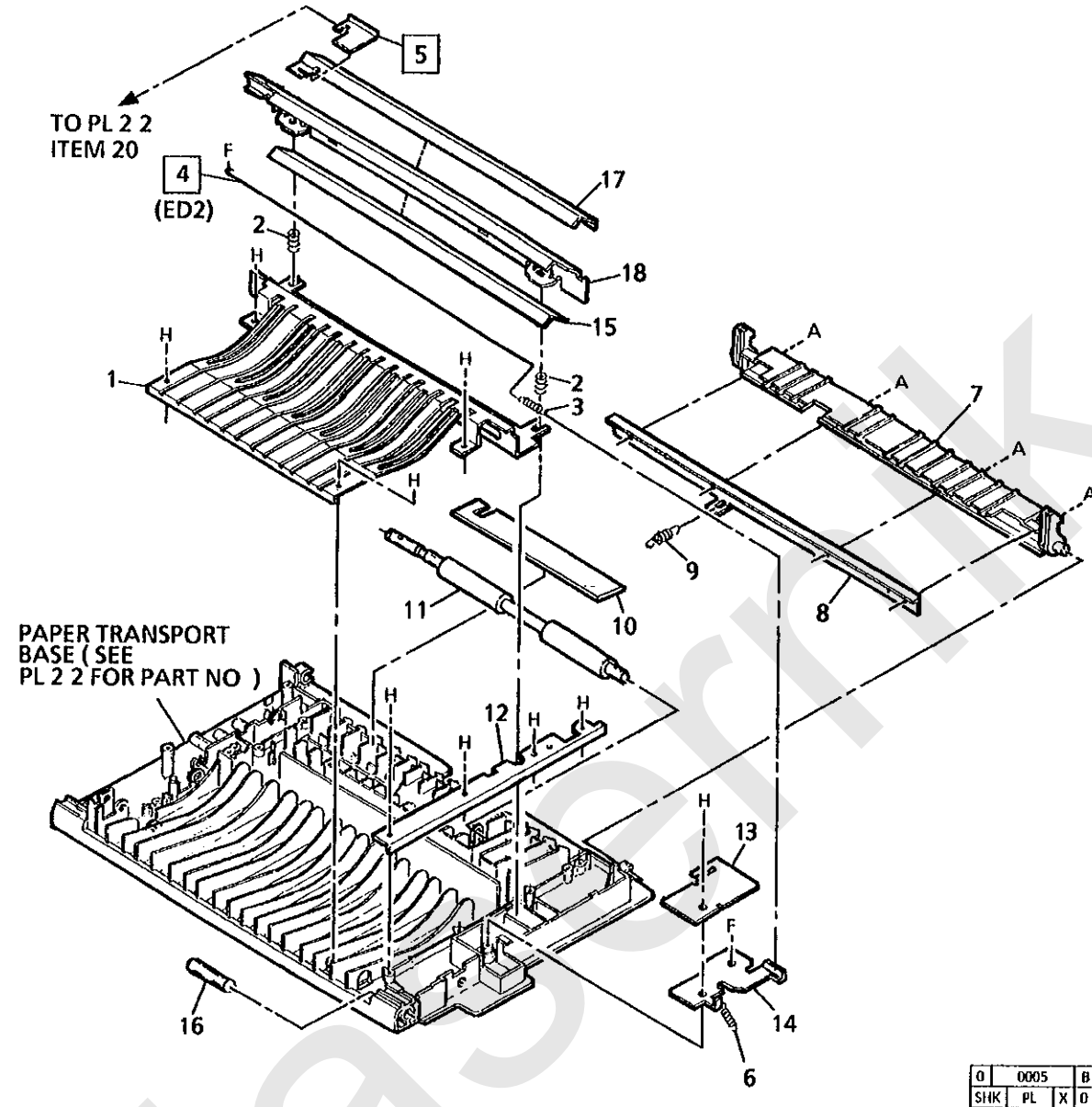
PL 1.4 FUSER/PAPER TRANSPORT DRIVE ASSEMBLY



ITEM	PART	DESCRIPTION
1	7E14840	GEAR (20T)
2	9E25060	SPRING
3	7E14880	GEAR (30T)
4	23E6060	TRANSPORT DRIVE BELT (REP 10 2)
5	7E14910	DOUBLE GEAR
6	--	BRACKET
7	--	BRACKET
8	--	GEAR (36T)
9	20E12610	PULLEY (32T)
10	--	PULLEY
11	--	BEARING
12	7E42080	GEAR (30 /36T)

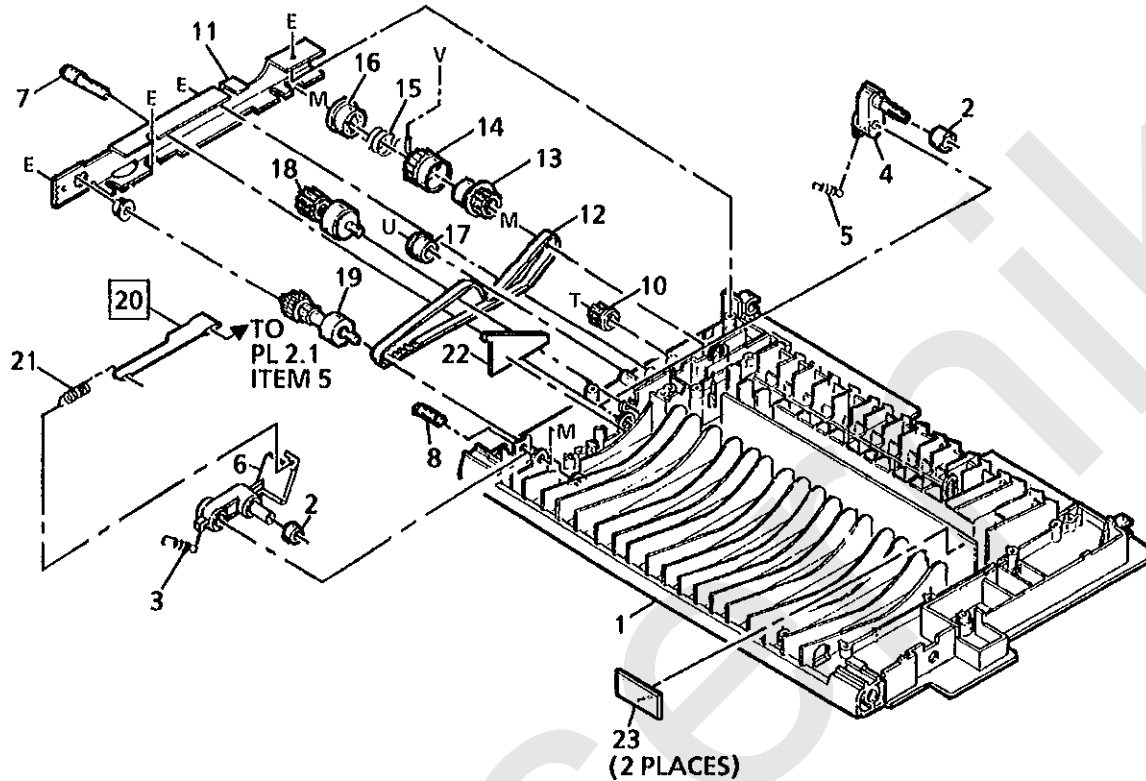
0	0004	A
SHK	PL	X 0

PL 2.1 REGISTRATION AND TRANSFER COROTRON



ITEM	PART	DESCRIPTION
1	38E8550	PAPER GUIDE
2	9E25070	SPRING
3	9E25080	SPRING
4	117E5320	COROTRON WIRE (ED2) (REP 9 3)
5	38E8760	STRIPPER GUIDE HOLDER (REP 10 3)
6	--	SPRING (NOT SPARED)
7	3E16090	PAPER TRANSPORT LATCH
8	--	BASE PLATE (NOT SPARED)
9	9E25090	SPRING
10	38E8570	PAPER GUIDE
11	22E10180	REGISTRATION ROLL
12	--	SUPPORT PLATE (NOT SPARED)
13	118E6740	COVER
14	--	CONTACT (NOT SPARED)
15	38E8590	BAFFLE
16	--	SHAFT (NOT SPARED)
17	38E8580	GUIDE COATING
18	--	PAPER GUIDE (NOT SPARED)

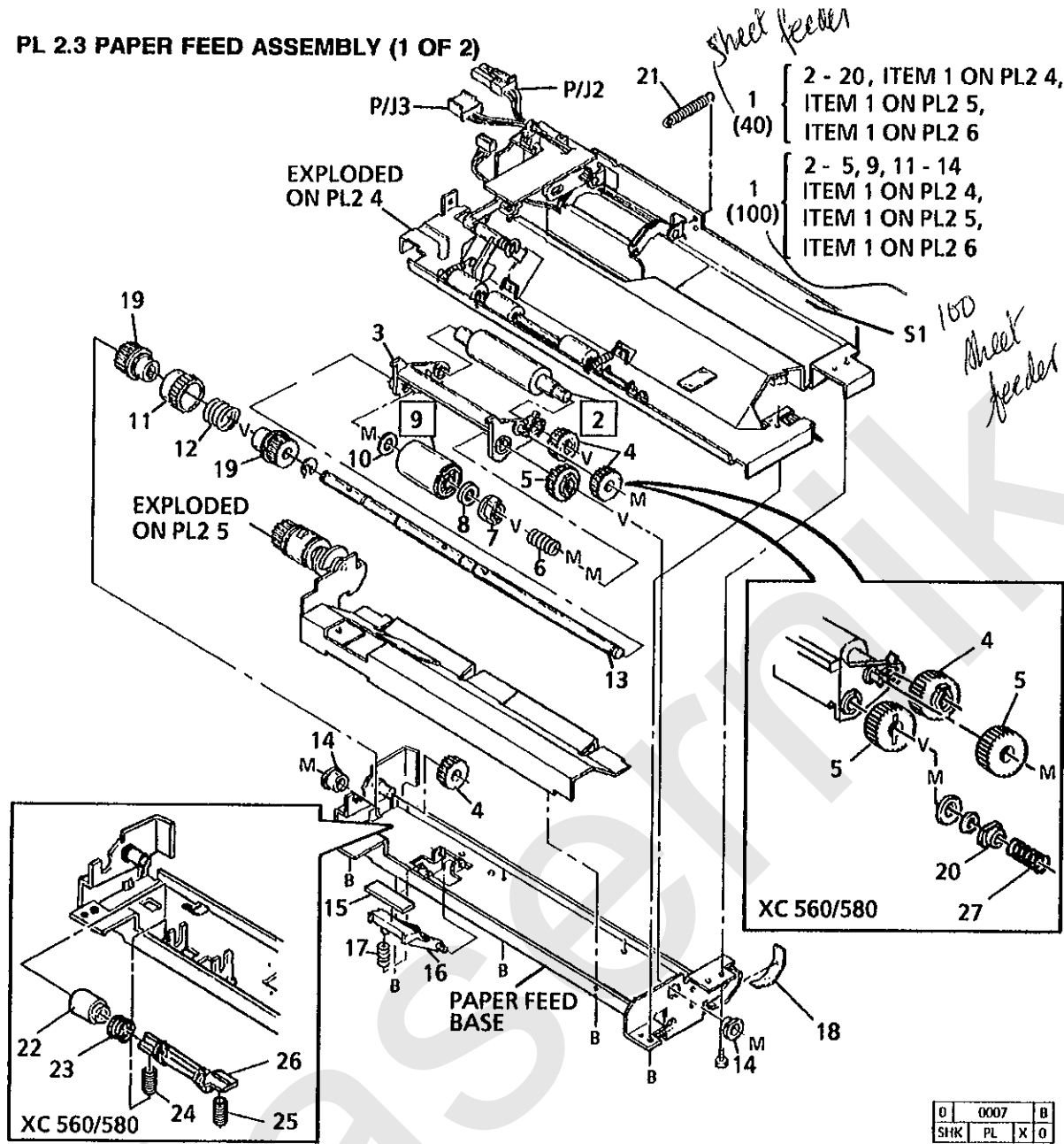
PL 2.2 STRIPPING AND COPY TRANSPORT



ITEM	PART	DESCRIPTION
1	2E33560	PAPER TRANSPORT BASE
2	--	COLLAR (NOT SPARED)
3	9E25100	SPRING
4	31E4990	PRESSURE ARM
5	9E25110	SPRING
6	31E5000	LOADING ARM
7	--	PIN (NOT SPARED)
8	--	PIN (NOT SPARED)
9	--	BEARING (NOT SPARED)
10	20E12620	PULLEY
11	--	SUPPORT BRACKET (NOT SPARED)
12	23E6070	TIMING BELT (144T)
13	5E6360	CLUTCH BOSS/GEAR
14	--	CLUTCH SLEEVE (NOT SPARED)
15	9E25120	CLUTCH SPRING
16	5E6370	CLUTCH BOSS
17	5E6380	COLLAR
18	22E10190	ROLLER
19	22E10200	ROLLER
20	38E8600	STRIPPER GUIDE (REP 10 3)
21	9E25130	SPRING
22	--	PAPER GUIDE (NOT SPARED)
23	118E6750	TONER SEAL

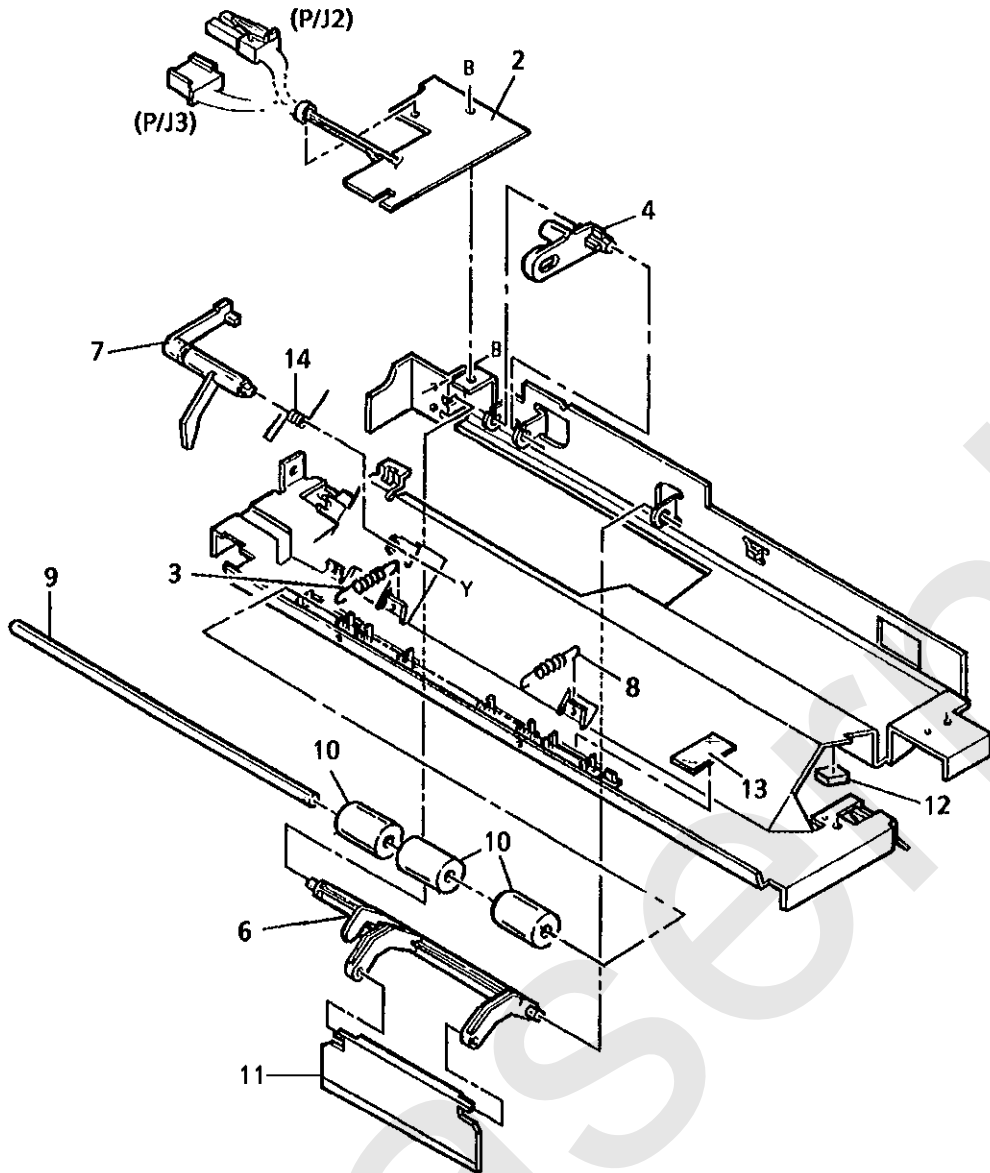
0	0006	A
SHK	PL	X 0

PL 2.3 PAPER FEED ASSEMBLY (1 OF 2)



ITEM	PART	DESCRIPTION
①	--	PAPER FEED ASSEMBLY (REP 8 3)
2	22E20050	TAKEUP ROLL (REP 8 4)
3	31E5030	FEED ARM (XC520/XC540)
-	31E8200	FEED ARM (XC560/XC580)
4	--	GEAR (16T)(P/O ITEM 1)
5	7E14840	GEAR (20T)
6	9E25210	SPRING
7	--	BEARING (P/O ITEM 1)
8	--	SPACER(P/O ITEM 1)
9	22E10250	PAPER FEED ROLL (XC520/XC540)(REP 8 4)
-	5E10560	PAPER FEED ROLL (XC560/XC580)(REP 8 4)
10	14E18000	SPACER (XC520/XC540)
11	--	CLUTCH BARREL (P/O ITEM 1)
12	--	SPRING (P/O ITEM 1)
13	6E22920	SHAFT (XC520/XC540)
-	6E56150	SHAFT (XC560/XC580)
14	--	BEARING (P/O ITEM 1)
15	19E15900	RETARD PAD (XC520/XC540)
16	113E8020	RETARD FRAME (XC520/XC540)
17	9E25220	SPRING (XC520/XC540)
18	--	WEAR PROTECT STRIP (P/O ITEM 1)
19	--	CLUTCH BOSS (P/O ITEM 1)
20	--	BEARING (XC560/XC580) (P/O ITEM 1)
21	809E530	SPRING (XC560/XC580)
22	22E20520	REVERSE ROLL (XC560/XC580)
23	809E450	SPRING (XC560/XC580)
24	809E470	SPRING (XC560/XC580)
25	809E460	SPRING (XC560/XC580)
26	6E56160	REVERSE ROLL SHAFT (XC560/XC580)
27	809E480	SPRING (XC560/XC580)

PL 2.4 PAPER FEED ASSEMBLY (2 OF 2)



1 { 2 - 14

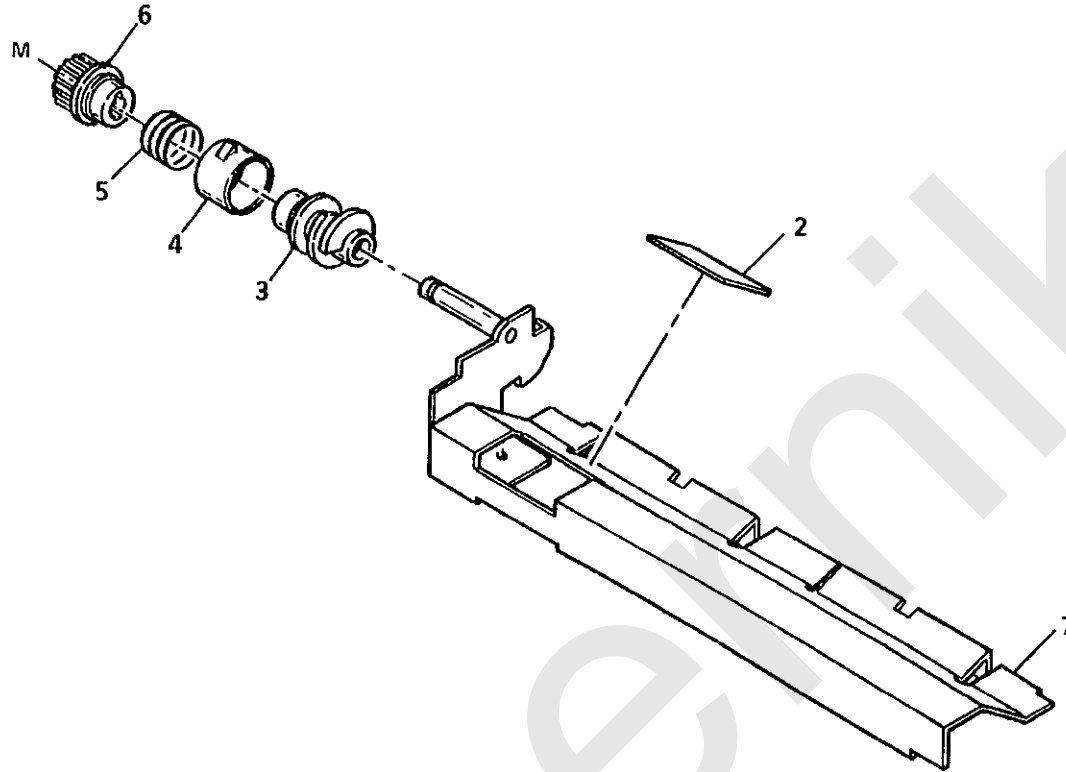
ITEM	PART	DESCRIPTION
1	--	PAPER FEEDER (P/O ITEM 1 ON PL2 3)
2	160K21470	PAPER SUPPLY PWB
3	9E25240	REGISTRATION PINCH ROLL SPRING
4	31E5010	CAM FOLLOWER (XC520/XC540)
-	31E8190	CAM FOLLOWER (XC560/XC580)
5	--	WIRE HARNESS (NOT SPARED)
6	31E5020	GATE ARM (XC520/XC540)
-	31E8220	GATE ARM (XC560/XC580)
7	11E3520	PAPER ENTRY SENSOR ACTUATOR
8	9E25200	SPRING
9	6E22910	SHAFT
10	22E10230	PINCH ROLL
11	3E15810	GATE (XC520/XC540)
-	3E41390	GATE (XC560/XC580)
12	6E22930	SHAFT CUSHION
13	38E8620	UPPER GUIDE SPRING
14	--	

might be able to get

0	0009	A
SHK	PL	X 0

PL 2.5 PAPER GUIDE/CLUTCH ASSEMBLY

1 { 2-7



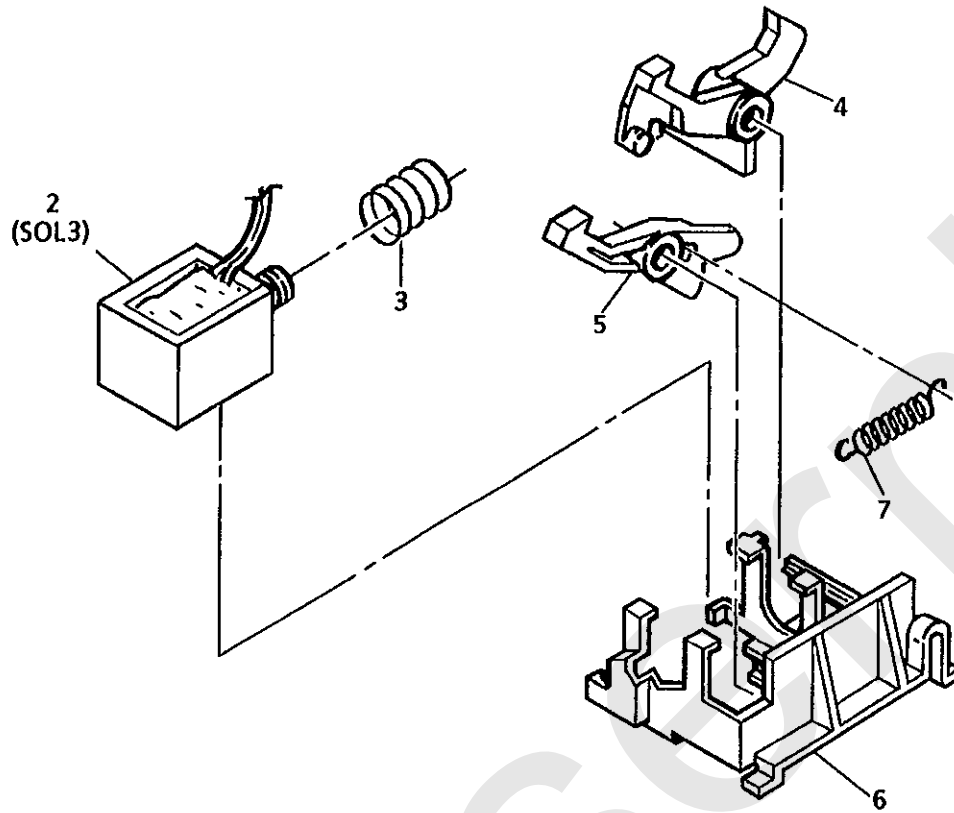
ITEM	PART	DESCRIPTION
1	--	PAPER GUIDE/CLUTCH ASSEMBLY (P/O ITEM 1 ON PL2 3)
2	38E8610	PAPER GUIDE (XC520/XC540)
-	38E16900	PAPER GUIDE (XC560/XC580)
3	--	CLUTCH BOSS (P/O ITEM 1)
4	--	CLUTCH BARREL (P/O ITEM 1)
5	--	SPRING(P/O ITEM 1)
6	--	CLUTCH BOSS (P/O ITEM 1)
7	--	PAPER GUIDE (P/O ITEM 1)

0	0010	A
SHK	PL	X 0

PL 2.6 PAPER FEED SOLENOID ASSEMBLY

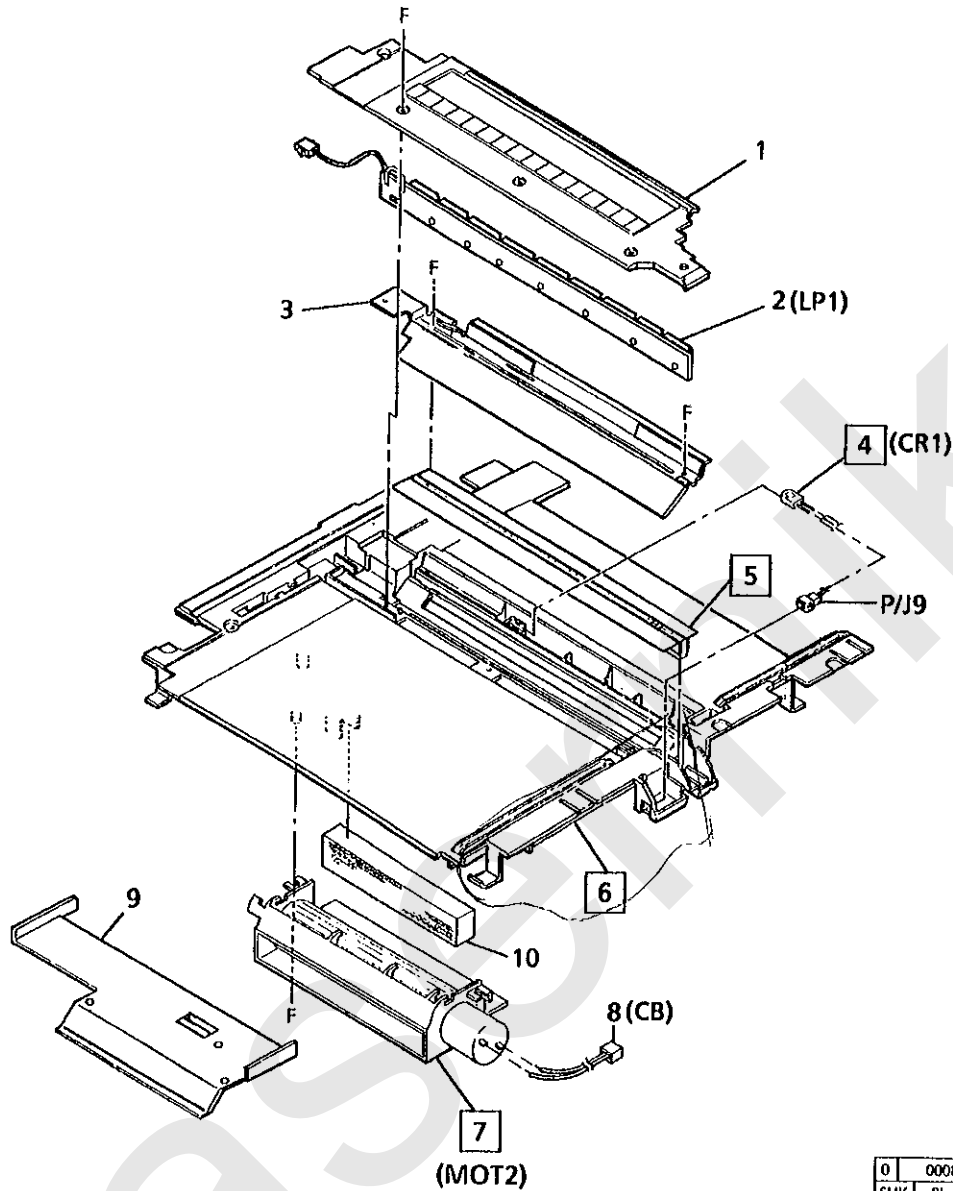
1 { 2-7

ITEM	PART	DESCRIPTION
1	--	SOLENOID ASSEMBLY (P/O ITEM 1 ON PL2 3)
2	121E6370	PAPER FEED SOLENOID (SOL3)
3	9E50870	SPRING
4	7E25590	PAWL
5	7E25800	PAWL
6	68E67890	MOUNTING BRACKET (P/O ITEM 1)
7	9E50880	SPRING



0	0012	A
SHK	PL	X 0

PL 3.1 OPTIC ASSEMBLY



ITEM	PART	DESCRIPTION
1	48E30830	EXPOSURE LAMP COVER
2	122E2020	EXPOSURE LAMP (LP1) (REP 6 1)
3	62K7800	REFLECTOR
4	--	AUTO EXPOSURE SENSOR (CR1) (REP 6 2)
5	62K7790	SELFOC LENS (REP 6 2)
6	1E38560	OPTICS FRAME (just small piece) (REP 6 3)
7	127K8340	COOLING MOTOR(MOT2) (REP 6 4)
8	152K35990	WIRE HARNESS (REP 6 4)
9	--	DUCT COVER
10	53E4810	OZONE FILTER

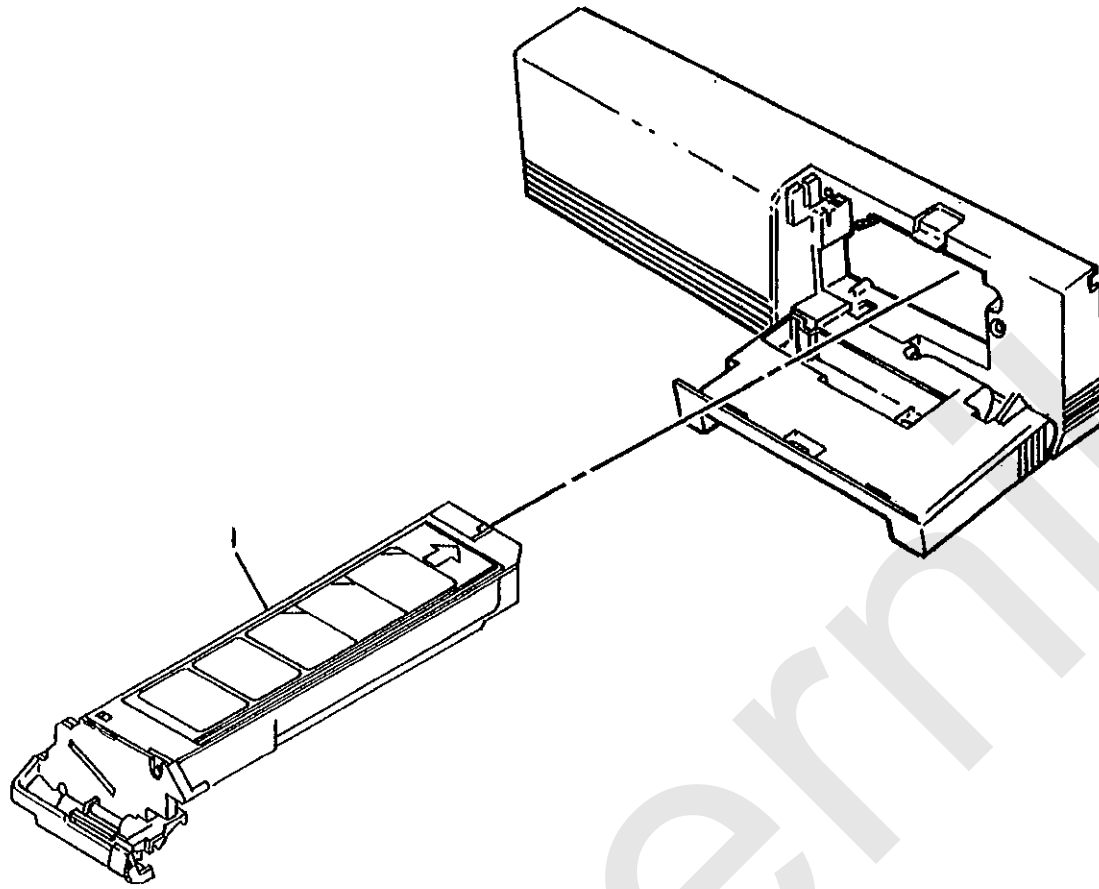
DUNT-6171FC12

130E04250
(DUNT-6171FC12)
for 5220

5222
DUNT-6171FC11
130E04250

0	0008	A
SHK	PL	X D

PL 4.1 TONER CARTRIDGE

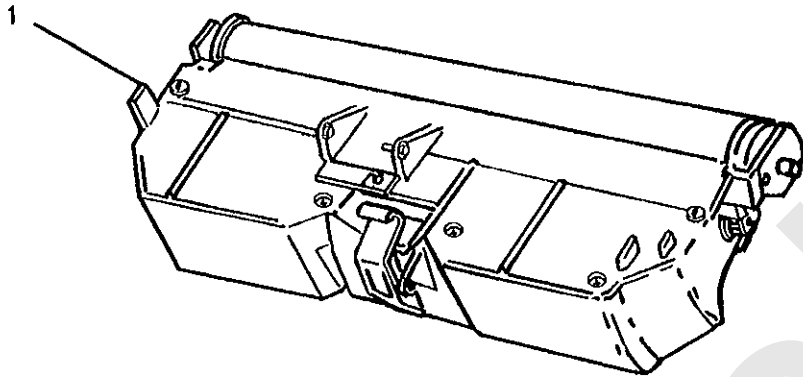


ITEM	PART	DESCRIPTION
1	6R333	TONER CARTRIDGE (BLACK) (USO/XCL/XLA) (REP 9 1)
-	6R589	TONER CARTRIDGE (BLACK) (RX) (REP 9 1)

0	0018	A
SHK	PL	X 0

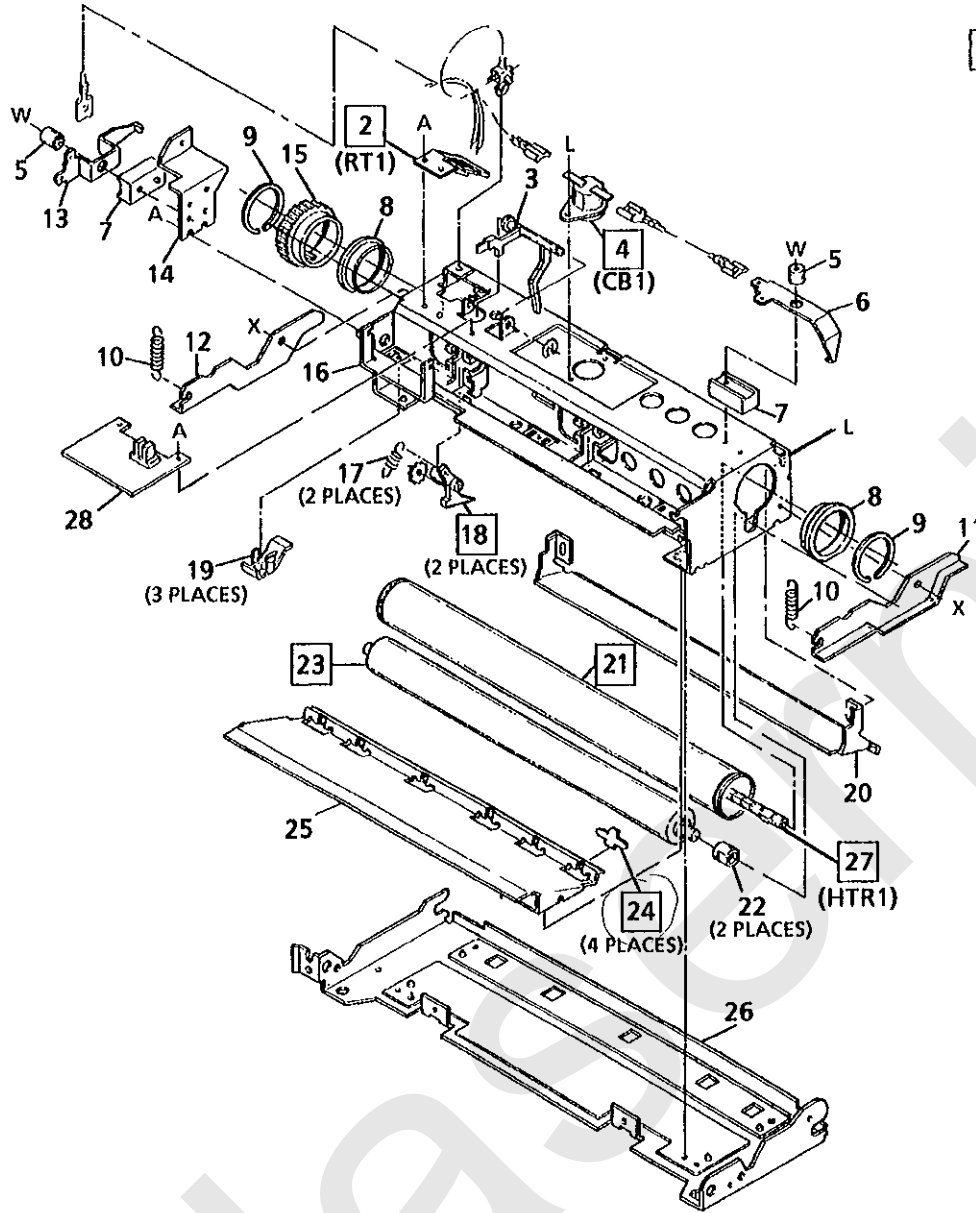
PL 4.2 DRUM CARTRIDGE

ITEM	PART	DESCRIPTION
1	113R104	DRUM CARTRIDGE (USO/XCL/XLA) (REP 9.2)
-	113R105	DRUM CARTRIDGE (RX) (REP 9.2)



0	0013	A
SHK	PL	X 0

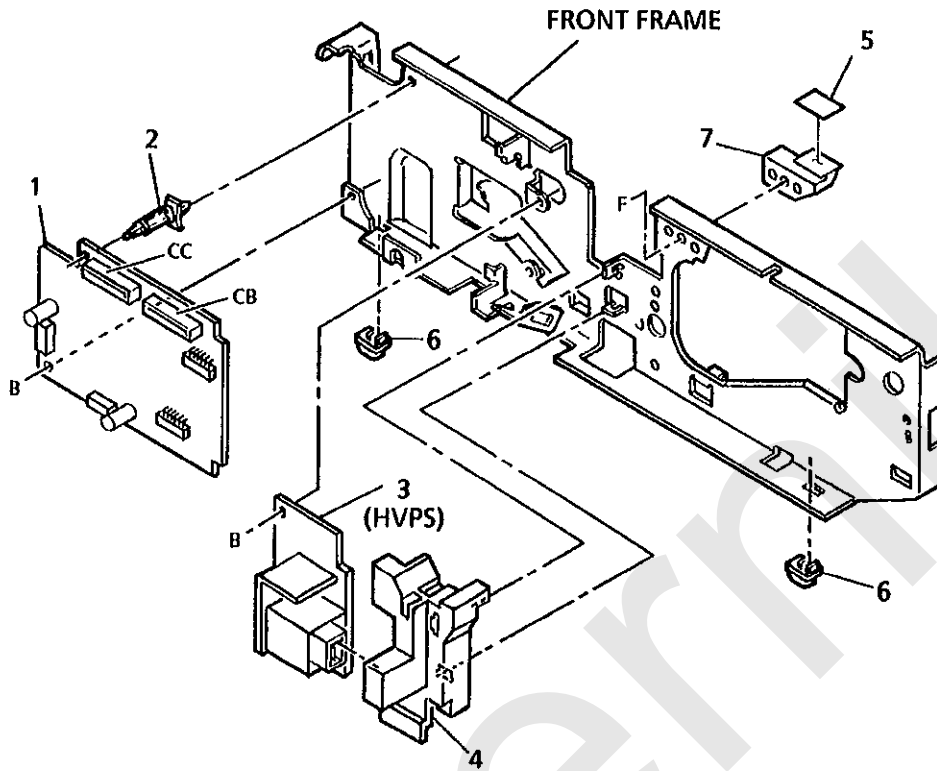
PL 5.1 FUSER ASSEMBLY



ITEM	PART	DESCRIPTION
1	--	FUSER ASSEMBLY (NOT SPARED) (REP 10 4)
2	130K54440	THERMISTOR (RT1) (REP 10 6)
3	11E3510	EXIT SENSOR ACTUATOR
4	130E2990	THERMAL BREAKER (CB1) (REP 10 7)
5	--	INSULATOR (P/O ITEM 1)
6	9E25150	FRONT HEAT ROD CONTACT (P/O ITEM 1)
7	--	INSULATOR FRAME (P/O ITEM 1)
8	13E5160	BEARING
9	3E10140	HEAT ROLL SNAP RING
10	9E25160	SPRING
11	--	LEVER (P/O ITEM 1)
12	--	LEVER (P/O ITEM 1)
13	9E25170	REAR HEAT ROD CONTACT
14	--	HEAT ROD MOUNTING BRACKET (P/O ITEM 1)
15	7E14961	GEAR (45T)
16	--	FUSER FRAME (P/O ITEM 1)
17	9E25180	SPRING
18	7E11260	SEPARATOR PAWL (REP 10 8)
19	--	HEAT ROLL GUIDE (P/O ITEM 1)
20	--	INPUT BAFFLE (P/O ITEM 1)
21	22E10210	HEAT ROLL (REP 10 9)
22	13E6560	BEARING
23	22E18560	PRESSURE ROLL (REP 10 9)
24	9E25190	STRIPPER FINGER - gets small bit of plastic instead - Czech (PACKAGE OF 4) (REP 10 10)
25	--	EXIT BAFFLE (P/O ITEM 1)
26	--	FUSER BASE (P/O ITEM 1)
27	122E1190	HEAT ROD (HTR1) (120V) (REP 10 5)
-	122E2030	HEAT ROD (HTR1) (220V) (RX) (REP 10 5)
28	160K21450	BIAS PWB (REP 3 5)

0	0011	A
SHK	PL	X 0

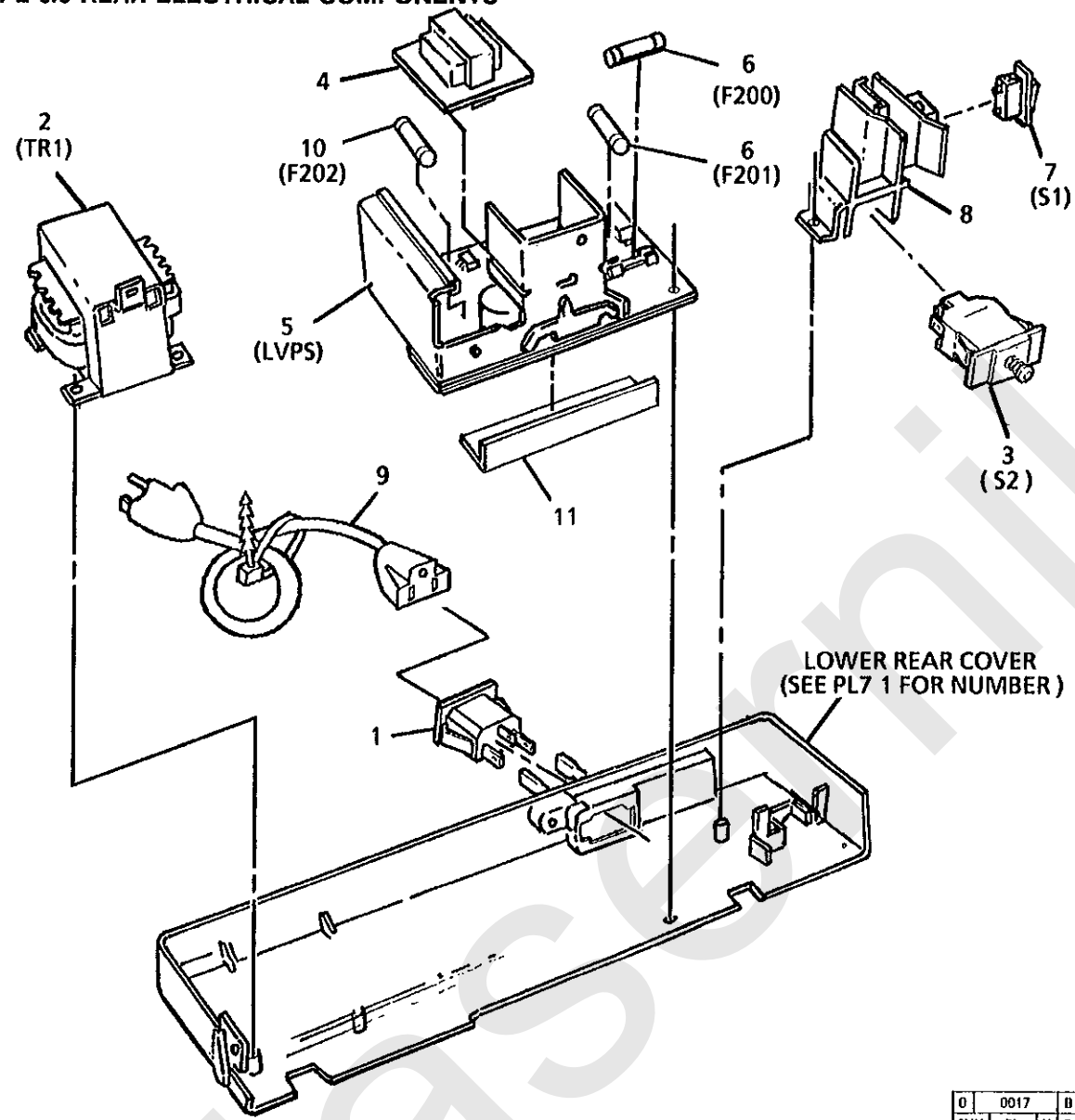
PL 6.1 MAIN PWB, HVPS



ITEM	PART	DESCRIPTION
1	160K21441	MAIN PWB (100V) (REP 3 1)
-	160K30510	MAIN PWB (200V) (REP 3 1)
2	--	SUPPORT (NOT SPARED)
3	105K13440	HIGH VOLTAGE POWER SUPPLY (HVPS) (REP 3 2)
4	113K20701	HVPS SOCKET
5	10E2590	SLIDE
6	17E4000	FRONT FOOT
7	14E18260	PLATEN SUPPORT BLOCK

0	0019	A
SHK	PL	X 0

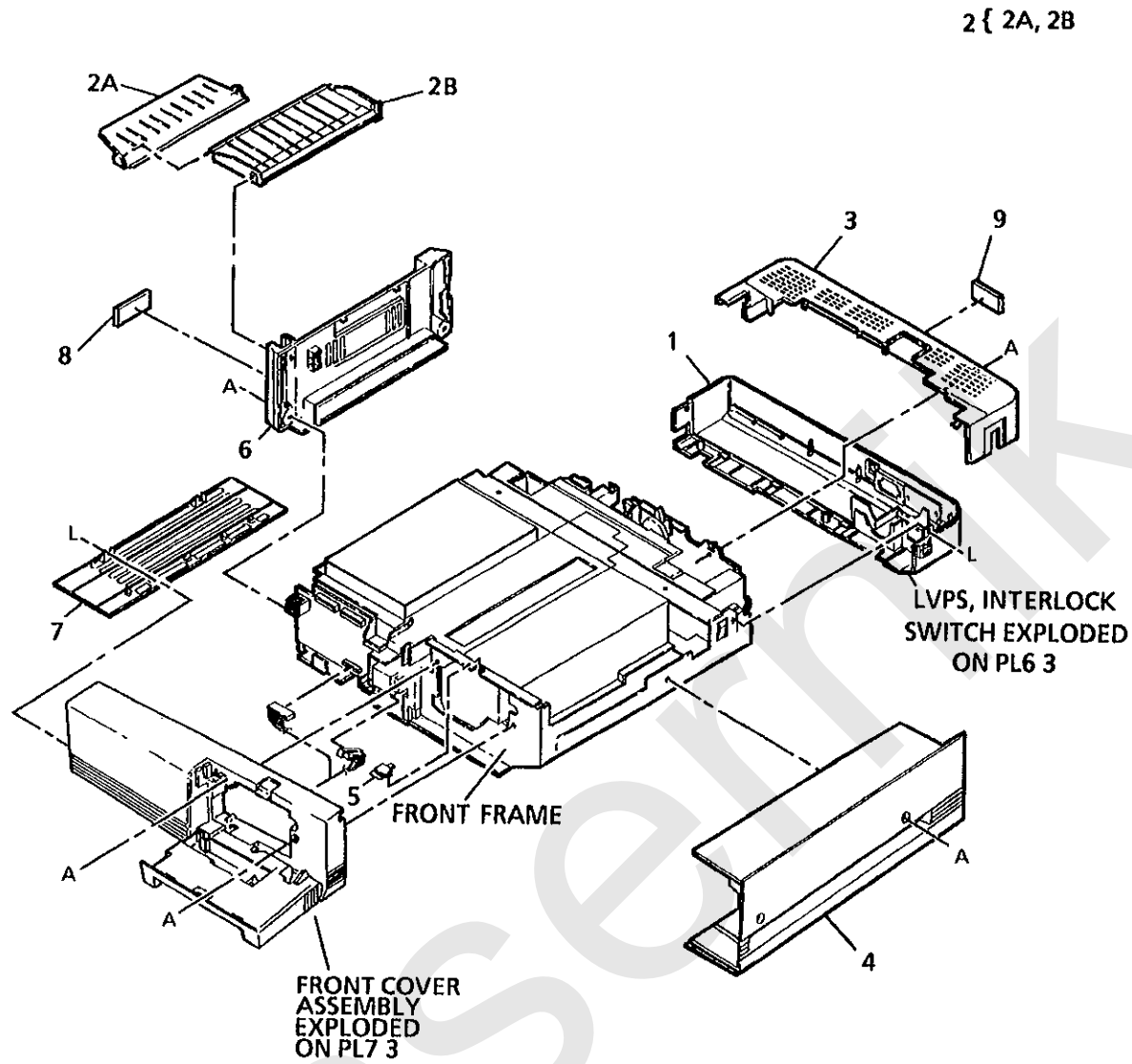
PL 6.3 REAR ELECTRICAL COMPONENTS



ITEM	PART	DESCRIPTION
1	113E8010	AC SOCKET
2	105K13390	TRANSFORMER (TR1)(60HZ) (REP 3 4)
-	105K13400	TRANSFORMER (TR1)(50HZ) (REP 3 4)
3	110E4030	TONER CARTRIDGE INTERLOCK SWITCH (S2) (REP 1 2)
4	160K21430	TRANSFORMER PWB (100V)(REP 3 3)
-	160K27070	TRANSFORMER PWB (200V)(RX) (REP 3 3)
5	160K21060	LOW VOLTAGE POWER SUPPLY (60HZ)(REP 1 1)
-	160K21070	LOW VOLTAGE POWER SUPPLY (50HZ)(REP 1 1)
6	108E3660	FUSE (F200)(15A, 120V)
-	108E2200	FUSE (F200/F201) (6 3A, 220V)
7	110E4040	POWER ON/OFF SWITCH (S1)
8	--	SWITCH BRACKET (NOT SPARED)
9	--	POWER CORD (NOT SPARED)
10	108E3670	FUSE (F202) (3 15A, 120V)
-	108E3680	FUSE (F202) (3 15A, 220V)
11	118E11140	PWB PROTECTOR SHEET

0	0017	0
SHK	PL	X 0

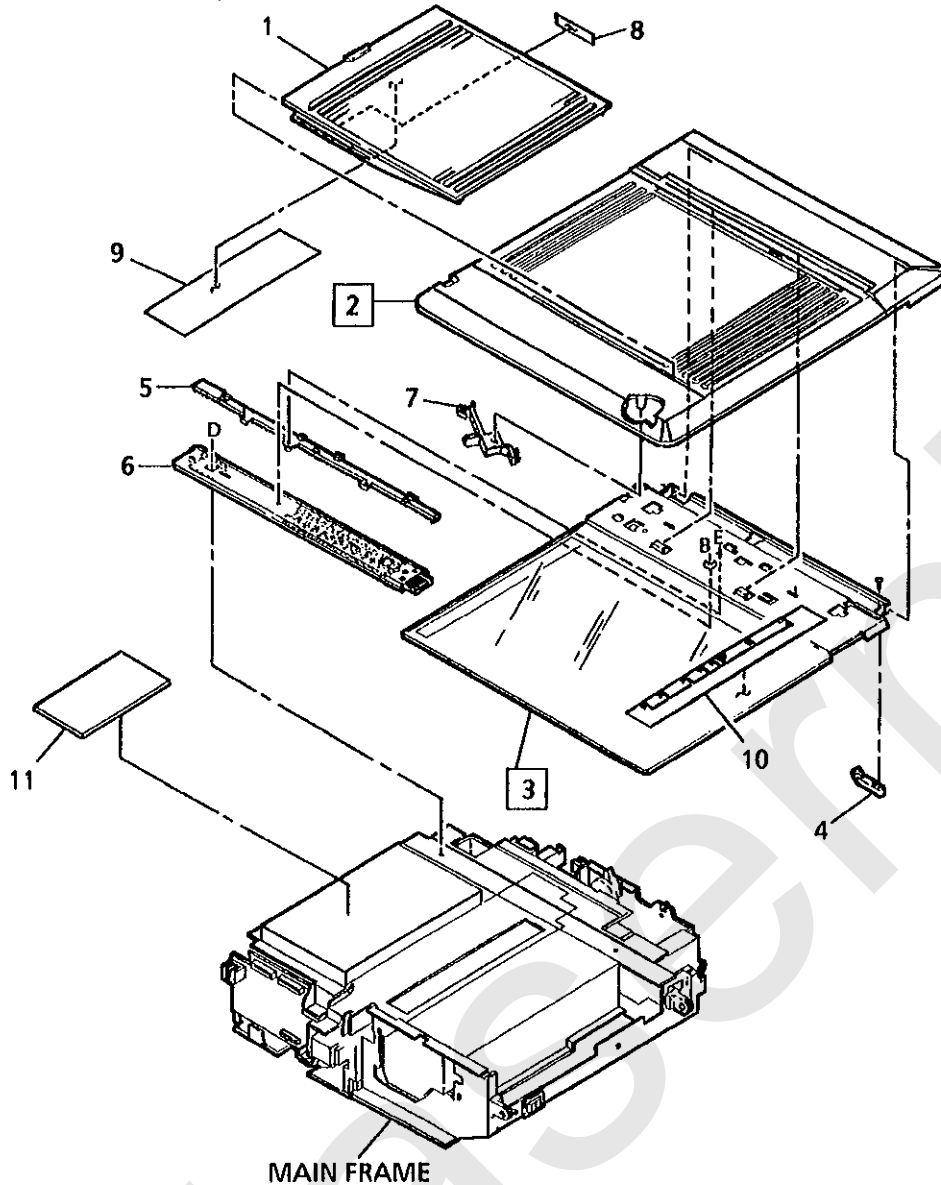
PL 7.1 COVERS AND EXIT TRAY



ITEM	PART	DESCRIPTION
1	48E30400	LOWER REAR COVER (REP 14 3)
2	50K31790	EXIT TRAY (LETTER SIZE) 8 1/2 x 11 (REP 14 1)
-	50K31800	EXIT TRAY (LEGAL SIZE) 11 x 17 (REP 14 1)
2a	--	EXIT TRAY 2 (P/O ITEM 2)
2b	--	EXIT TRAY 1 (P/O ITEM 2)
3	48E30790	UPPER REAR COVER (REP 14 2)
4	48E30800	RIGHT COVER (XC520/XC540) (REP 14 2)
-	--	RIGHT COVER (XC560/XC580) (REP 14 2)
5	--	RELEASE BUTTON
6	48E30810	LEFT EXTERIOR COVER (REP 14.2)
7	2E33540	BOTTOM COVER (REP 14.5)
8	98E70050	FCC LABEL (USO)
9	891E470	CAUTION LABEL (USO)
-	891E480	CAUTION LABEL (RX)

0	0014	B
SHK	PL	X 0

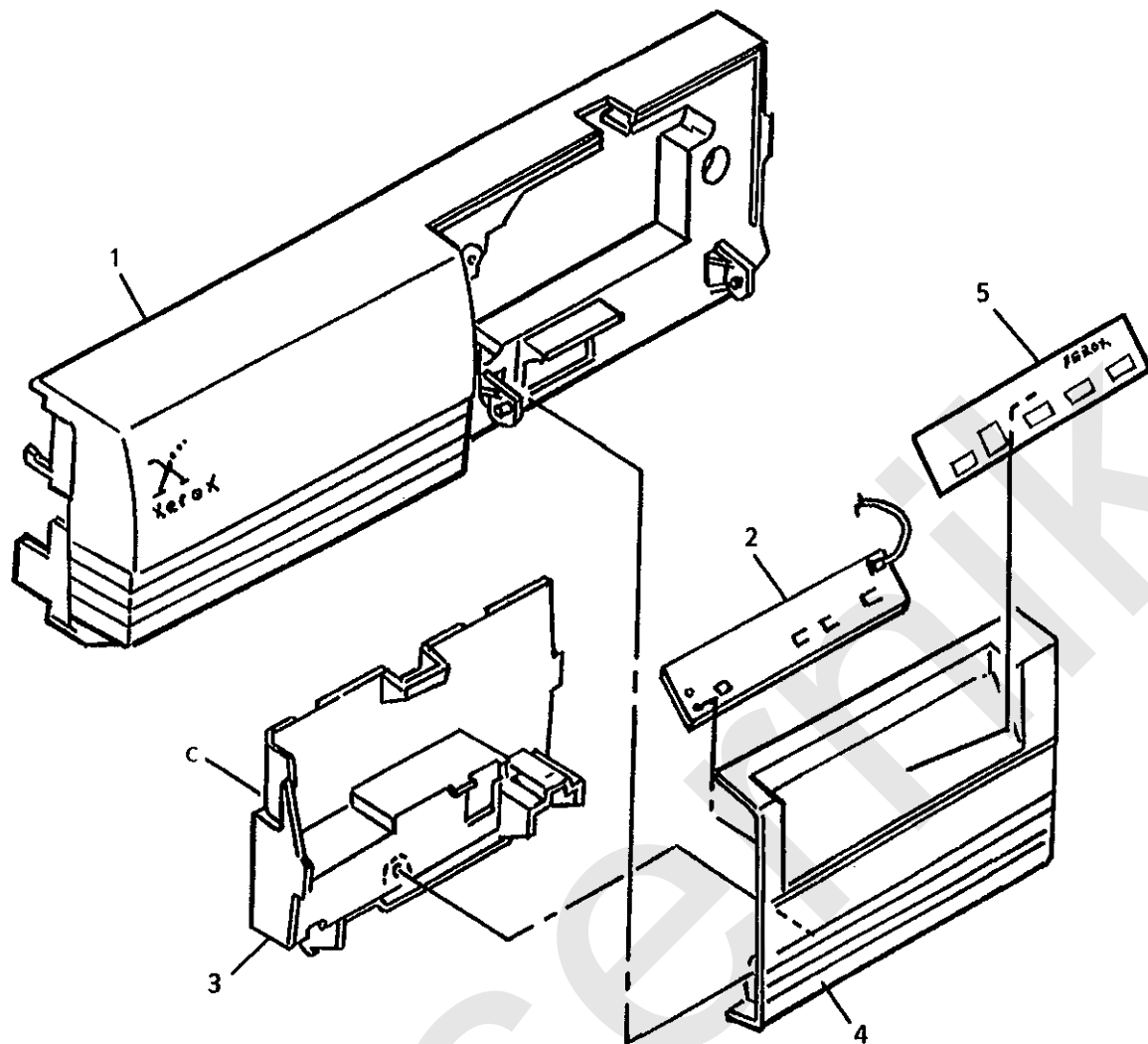
PL 7.2 PAPER TRAY, PLATEN AND TOP COVERS



ITEM	PART	DESCRIPTION
1	50K31710	PAPER TRAY(XC520/XC540)
-	50K31720	(REP 14 1) PAPER TRAY(XC560/XC580)
2	48E30420	PLATEN COVER (LEGAL SIZE)
-	48E30410	(REP 14 4) PLATEN COVER (LETTER SIZE)
3	90K1950	PLATEN GLASS (LETTER SIZE)
-	90K1960	(REP 14 4) PLATEN GLASS (LEGAL SIZE)
4	14E17990	PLATEN START ACTUATOR
5	7E14830	PLATEN DRIVE RACK (XC520/XC540)(LTR)
-	7E26160	(REP 14 4) PLATEN DRIVE RACK (XC520/XC540)(LGL)
6	10E2540	PLATEN RAIL (XC520/XC540)(LTR)
-	10E3420	(REP 14 4) PLATEN RAIL (XC520/XC540)(LGL)
7	--	COROTRON/LENS CLEANER (NOT SPARED)
8	891E520	MAX FILL LABEL (XC520/XC540)
-	891E530	(REP 14 4) MAX FILL LABEL (XC560/XC580)
9	891E510	PAPER TRAY WIDTH LABEL
10	--	DOCUMENT GLASS REGISTRATION LABEL (NOT SPARED)
11	96E70030	INSTRUCTION LABEL (USO)
-	96E70040	(REP 14 4) INSTRUCTION LABEL (RX)

0	0015	B
SHK	PL	X 0

PL 7.3 FRONT COVER ASSEMBLY



ITEM	PART	DESCRIPTION
1	48E30370	FRONT COVER (REP 14 1)
2	160K21050	CONTROL CONSOLE PWB
3	48E30380	CONTROL CONSOLE REAR COVER
4	48E30390	CONTROL CONSOLE FRONT COVER
5	96E67200	LABEL (XC520)
-	96E69740	LABEL (XC540)
-	891E490	LABEL (XC560)
-	891E500	LABEL (XC580)

0	0016	B
SHK	PL	X 0

ITEM	PART	DESCRIPTION
A	--	SCREW(3 X 8MM,BLACK) (P/O ITEM 1)
B	--	SCREW(3 X 8MM,SILVER) (P/O ITEM 1)
C	--	SCREW(4 X 8MM,YELLOW) (P/O ITEM 1)
D	--	SCR(3 X 10MM,SILVER) (P/O ITEM 1)
E	--	SCREW(3 X 8MM,BLACK) (P/O ITEM 1)
F	--	SCREW(3 X 8MM,YELLOW) (P/O ITEM 1)
G	--	SCREW(2 3 X 16MM) (YELLOW)(P/O ITEM 1)
H	--	SCREW(3 X 6MM,YELLOW) (P/O ITEM 1)
J	--	SCREW(2 3 X 8MM) (YELLOW)(P/O ITEM 1)
K	--	SCREW(4 X 10MM,SILVER) (P/O ITEM 1)
L	--	SCREW(3 X 6MM,YELLOW) (P/O ITEM 1)
M	--	E-RING(4MM)(P/O ITEM 1)
N	--	E-RING(5MM)(P/O ITEM 1)
O	--	E-RING(6MM)(P/O ITEM 1)
P	--	NUT (M4) (P/O ITEM 1)
R	--	SCREW(4 X12K) (P/O ITEM 1)
S	--	SCREW(4 X 20K) (P/O ITEM 1)
T	--	GRIP RING (5MM) (P/O ITEM 1)
U	--	GRIP RING (6MM) (P/O ITEM 1)
V	--	ROLL PIN (2MM X 7MM) (P/O ITEM 1)
W	--	SCREW(3 X 16MM) (P/O ITEM 1)
X	--	SCREW (P/O ITEM 1)
Y	--	GRIP RING(P/O ITEM 1) (P/O ITEM 1)
Z	--	SCREW(3 X 5MM,LEFT HAND THREAD) (NOT SPARED)

<u>PART NUMBER</u>	<u>PL LOC.</u>	<u>PART NUMBER</u>	<u>PL LOC.</u>	<u>PART NUMBER</u>	<u>PL LOC.</u>	<u>PART NUMBER</u>	<u>PL LOC.</u>
1E38560	3 1						
2E33540	7 1	9E25160	5 1	38E8590	2 1	122E2020	3 1
2E33560	2 2	9E25170	5.1	38E8600	2 2	122E2030	5 1
3E10140	5 1	9E25180	5 1	38E8610	2 5	127K8340	3 1
3E15810	2 4	9E25190	5 1	38E8620	2 4	130E2990	5 1
3E16090	2 1	9E25200	2 4	38E8760	2 1	130K54440	5 1
3E41390	2 4	9E25210	2 3	38E16900	2 5	152K35990	3 1
5E6340	1 3	9E25220	2 3	48E30370	7 3	160K21050	7 3
5E6350	1 3	9E25240	2 4	48E30380	7 3	160K21060	6 3
5E6360	2 2	9E50870	2 6	48E30390	7 3	160K21070	6 3
5E6370	2 2	9E50880	2 6	48E30400	7 1	160K21430	6 3
5E6380	2 2	10E2540	7 2	48E30410	7 2	160K21441	6 1
5E10560	2 3	10E2590	6 1	48E30420	7 2	160K21450	5 1
6R333	4 1	10E3420	7 2	48E30790	7 1	160K21470	2 4
6R589	4 1	11E3460	1 2	48E30800	7 1	160K27070	6 3
6E22900	1 3	11E3470	1 2	48E30810	7 1	160K30510	6 1
6E22910	2 4	11E3480	1 3	48E30830	3.1	809E450	2 3
6E22920	2 3	11E3490	1 3	50K31710	7 2	809E460	2 3
6E22930	2 4	11E3510	5 1	50K31720	7 2	809E470	2 3
6E56150	2 3	11E3520	2 4	50K31790	7 1	809E480	2 3
6E56160	2 3	13E5160	5 1	50K31800	7 1	809E530	2.3
7K6270	1 1	13E6560	5 1	53E4810	3 1	891E470	7 1
7K8690	1 1	14E17990	7 2	62K7790	3 1	891E480	7 1
7E11260	5 1	14E18000	1 3	62K7800	3 1	891E490	7 3
7E14830	7 2	14E18000	2 3	68E67890	2 6	891E500	7 3
7E14840	1 3	14E18260	6 1	90K1950	7 2	891E510	7 2
7E14840	1 4	17E4000	1.2	90K1960	7 2	891E520	7 2
7E14840	2 3	17E4000	6 1	96E67200	7 3	891E530	7 2
7E14850	1 3	19E15900	2 3	96E69740	7 3		
7E14860	1 3	20E12600	1 3	96E70030	7 2		
7E14870	1 3	20E12610	1 4	96E70040	7 2		
7E14880	1 4	20E12620	2 2	96E70050	7.1		
7E14910	1 4	22E10180	2 1	105K13390	6 3		
7E14920	1 1	22E10190	2 2	105K13400	6 3		
7E14930	1 1	22E10200	2 2	105K13440	6 1		
7E14940	1 1	22E10210	5 1	108E1340	1 1		
7E14950	1 1	22E10230	2 4	108E2200	6 3		
7E14961	5 1	22E10250	2 3	108E2560	1 1		
7E25590	2 6	22E18560	5 1	108E3660	6 3		
7E25600	2 6	22E20050	2 3	108E3670	6 3		
7E26160	7 2	22E20520	2 3	108E3680	6 3		
7E42080	1 4	23E6050	1 3	110E4030	6 3		
9E25040	1 2	23E6060	1 4	110E4040	6 3		
9E25050	1 3	23E6070	2 2	113R104	4 2		
9E25060	1 3	31E4990	2 2	113R105	4 2		
9E25060	1 4	31E5000	2 2	113K2070	6 1		
9E25070	2 1	31E5010	2 4	113E8010	6 3		
9E25080	2 1	31E5020	2 4	113E8020	2 3		
9E25090	2 1	31E5030	2 3	117E5320	2 1		
9E25100	2 2	31E8190	2 4	118E6740	2 1		
9E25110	2 2	31E8200	2 3	118E6750	2 2		
9E25120	2 2	31E8220	2 4	118E11140	6 3		
9E25130	2 2	38E8550	2 1	121E6360	1 3		
9E25140	1 1	38E8570	2 1	121E6370	2 6		
9E25150	5 1	38E8580	2 1	122E1190	5 1		