



**FACSIMILE EQUIPMENT**

**PARTS REFERENCE LIST**

**MODEL: FAX8070P / MFC9030 / MFC9070**

**(For Germany / United Kingdom / France /  
Norway / Belgium / Netherlands /  
Switzerland / Ireland / Finland / Denmark /  
Austria / Spain / Italy / South Africa /  
Sweden / Poland / Russia / Euro Generic )**

© Copyright Brother 2001

All rights reserved

No part of this publication may be reproduced in any form  
or by any means without permission in writing from the  
publisher.

Specifications are subject to change without prior notice.

## NOTES FOR USING THIS PARTS REFERENCE LIST

1. In the case of ordering parts, it needs mentioning the following items:

- (1) Code
- (2) Q' ty
- (3) Description

Note: No orders without Parts Code or Tool No. can be accepted.

[Example]

	(1)	(2)	(3)	
REF.NO.	CODE	Q' TY	DESCRIPTION	REMARKS

2. Design-changed parts:

When the parts are changed, any one of the following symbols is mentioned in the REMARKS column.

CNG(cng) : The part is changed to a new part.

ADD(add) : The part is newly added.

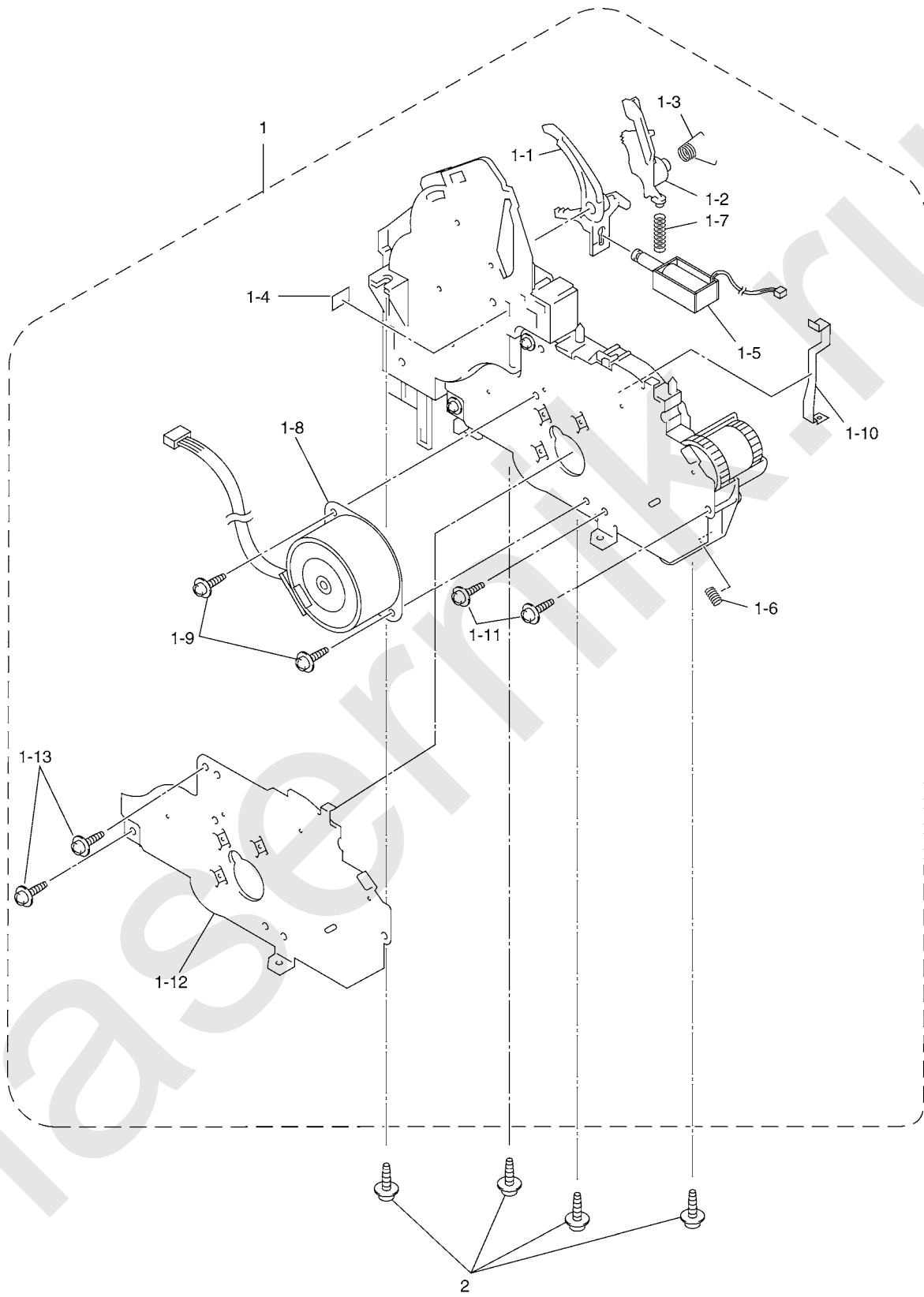
DEL(del) : The part is deleted.

Symbol in capital letters indicates that the change is the latest one in the page.

3. Parts change will be informed by the technical information.

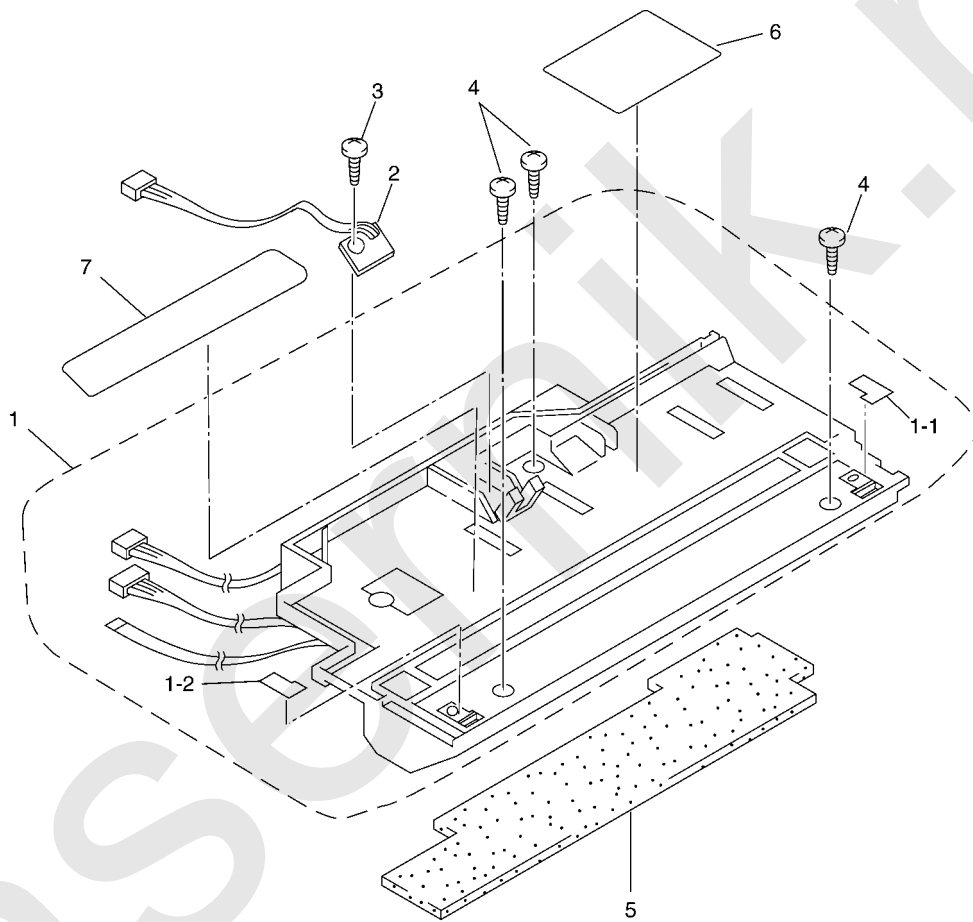
### COUNTRIES

GERMAN ---- GER  
 UNITED KINGDOM ---- UK  
 FRANCE ---- FRA  
 NORWAY ---- NOR  
 BELGIUM ---- BEL  
 NETHERLANDS ---- NLD  
 SWITZERLAND ---- CHE  
 IRELAND ---- IRE  
 FINLAND ---- FIN  
 DENMARK ---- DEN  
 AUSTRIA ---- AUS  
 SPAIN ---- SPA  
 ITALY ---- ITA  
 SOUTH AFRICA ---- ZAF  
 SWEDEN ---- SWE  
 RUSSIA ---- RUS  
 EURO GENERIC ---- GNR



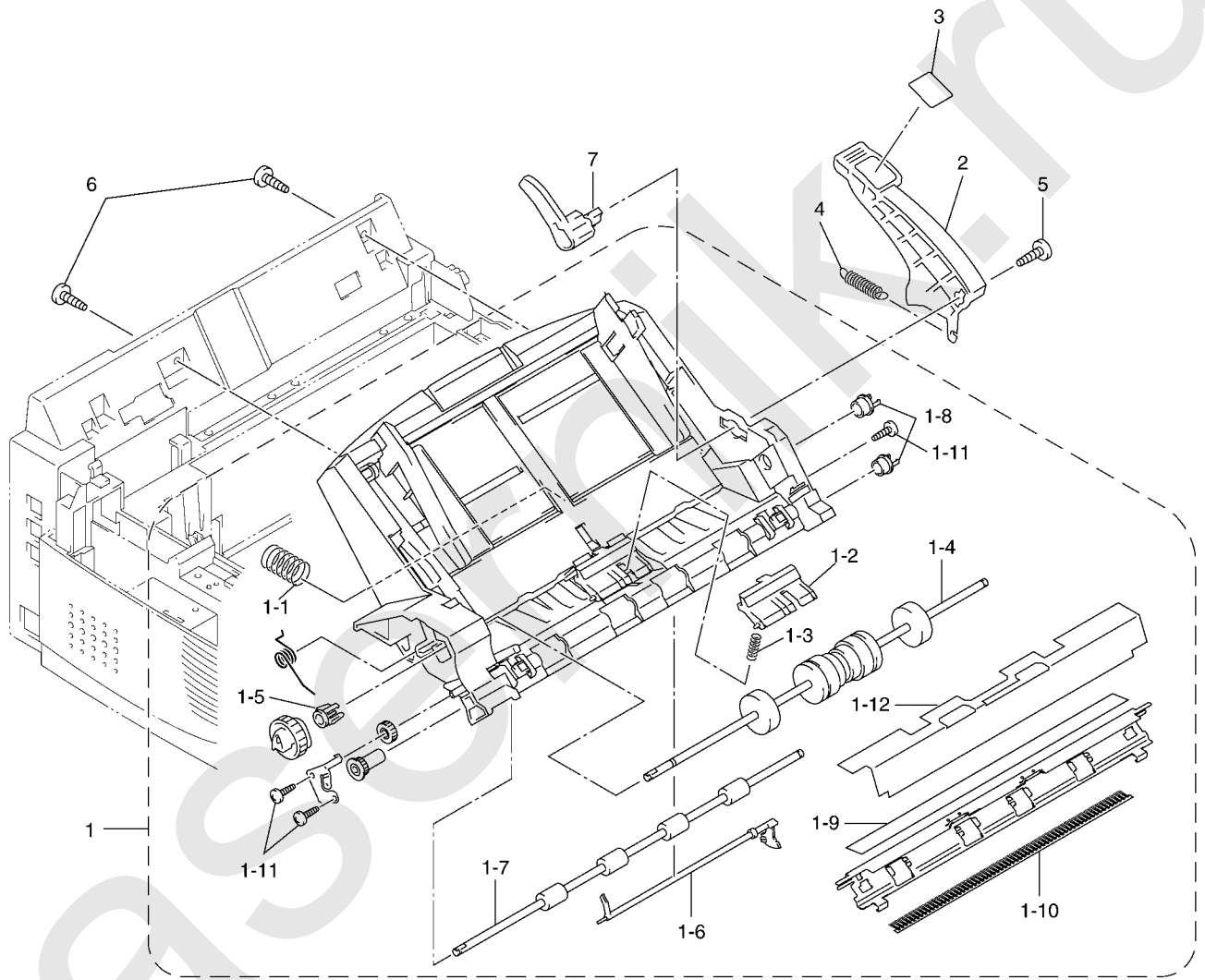
## LIST1(PAPER DRIVE)

REF No.	CODE	QTY	DESCRIPTION	RECOMMEND	REMARK
1	LE1793001	1	DRIVE UNIT		
1-1	UL6573000	1	PAPER PICK-UP SOLENOID LEVER		
1-2	UL6574000	1	CLUTCH RELEASE LEVER		
1-3	UL6575001	1	SOLENOID LEVER RETURN SPRING		
1-4	LE7280001	1	SOLENOID LEVER SHEET		
1-5	LE7015001	1	PAPER FEED SOLENOID ASSY		
1-6	LE7419001	1	CLUTCH GEAR SPRING		
1-7	UL6579001	1	CLUTCH HOLDER SPRING		
1-8	LE1806001	1	MAIN MOTOR ASSY		
1-9	087320616	2	TAPTITE, CUP S M3X6		
1-10	LE1807001	1	ELECTRODE		
1-11	087311016	2	TAPTITE, CUP B M3X10		
1-12	LE1795001	1	MOTOR BRACKET		
1-13	087321615	2	TAPTITE, CUP S M3X16		
2	087411415	4	TAPTITE, CUP B M4X14		



## LIST2(LASER UNIT)

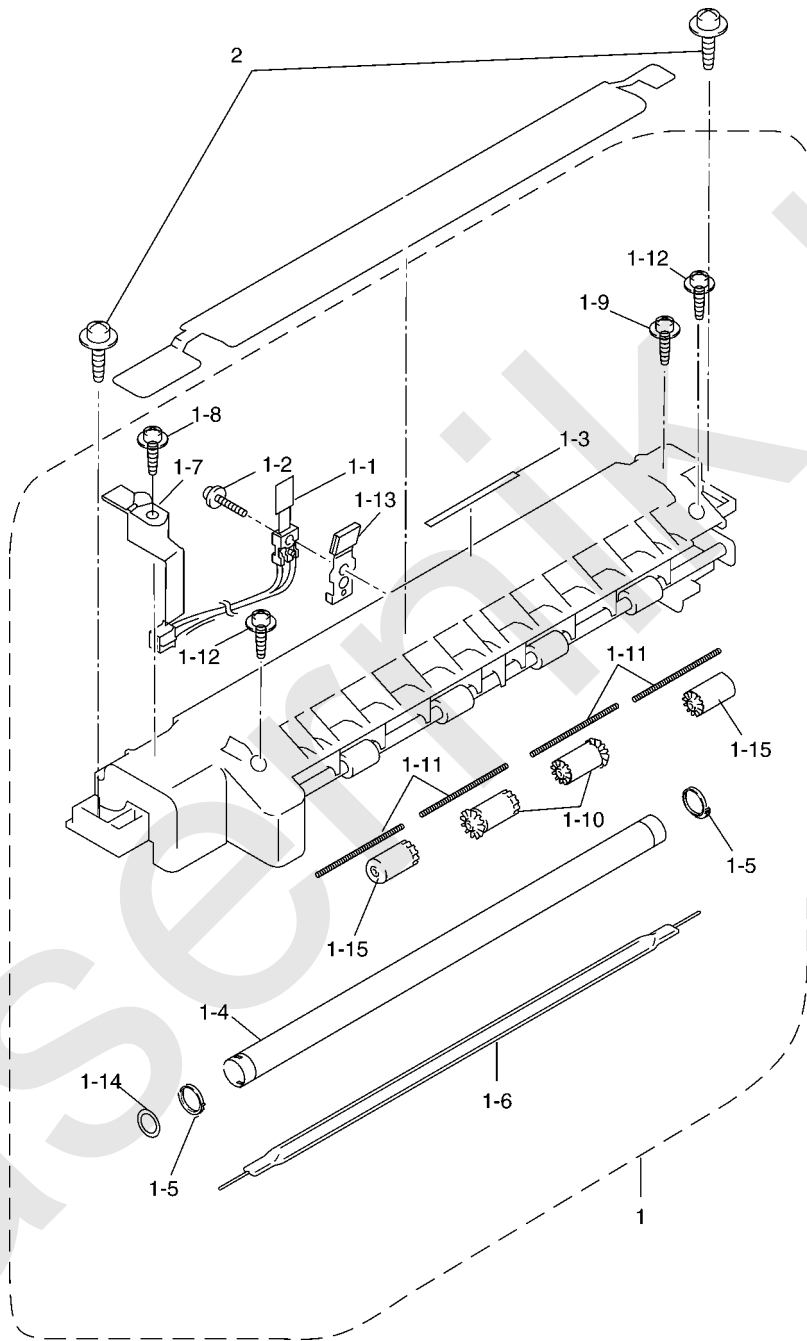
REF No.	CODE	Q'TY	DESCRIPTION	RECOMMEND	REMARK
1	LE7197001	1	LASER SCANNER ASSY(SP)	√	
1-1	UL6614001	1	SCANNER SHEET 1		
1-2	UL6615001	1	SCANNER SHEET 2		
2	LG3162001	1	TONER SENSOR PCB ASSY		
3	087310815	1	TAPTITE, CUP B M3X8		
4	085411215	3	SCREW, BIND B TITE 4X12		
5	UU7043001	1	SCANNER SEAL SPONGE		
6	UL6740001	1	LASER CAUTION LABEL		
7	UL6741001	1	TONER CAUTION LABEL		





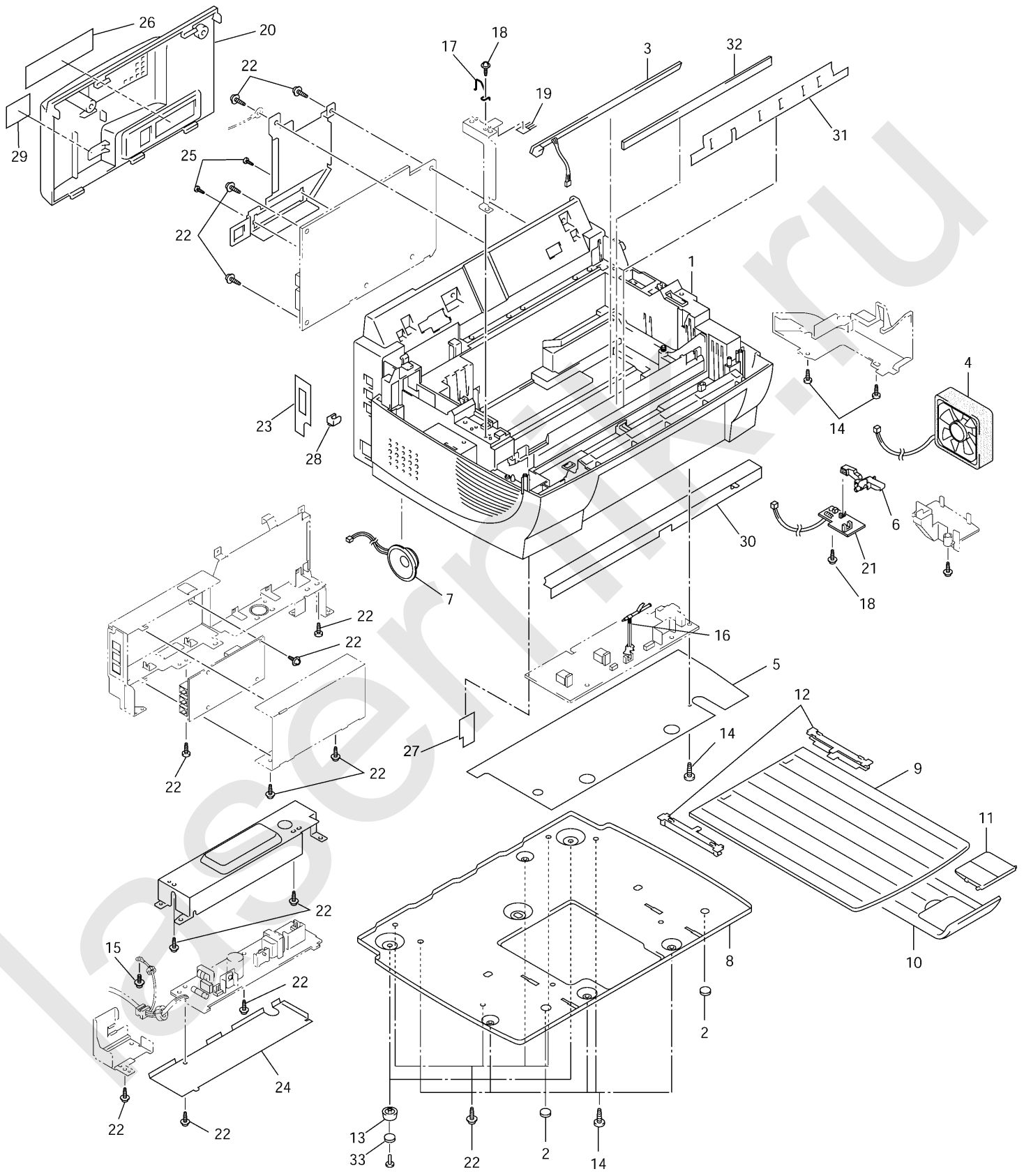
## LIST3(PAPER FEED)

REF No.	CODE	Q'TY	DESCRIPTION	RECOMMEND	REMARK
1	LE1833001	1	PAPER FEED BASE ASSY, GRAY(1495)		
1-1	LE1844001	1	PLATE SPRING		
1-2	LE1943001	1	SEPARATION PAD ASSY		
1-3	UL5184001	1	SEPARATION PAD SPRING		
1-4	LE1945001	1	PAPER PULL-IN ROLLER		
1-5	LF4230001	1	PAWLED BUSHING L		CHG
1-6	LE1845001	1	REGISTRATION SENSOR ACTUATOR		
1-7	UL6654001	1	PAPER FEED ROLLER		
1-8	UF0026001	2	PAWLED BUSHING R		
1-9	UL6659001	1	CHUTE FILM		
1-10	LJ5219001	1	ANTI-STATIC BRUSH		
1-11	U04887001	3	TAPTITE, BIND B M2.6X8		
1-12	LE7019001	1	BLACK FILM		
2	LE1834001	1	RELEASE LEVER, PURPLE(6255)		
3	LE7136001	1	RELEASE LEVER LABEL		
4	LE1835001	1	RELEASE LEVER SPRING		
5	085411015	1	TAPTITE, BIND B M4X10		
6	085411215	2	TAPTITE, BIND B M4X12		
7	LE1837001	1	RELEASE CAM		



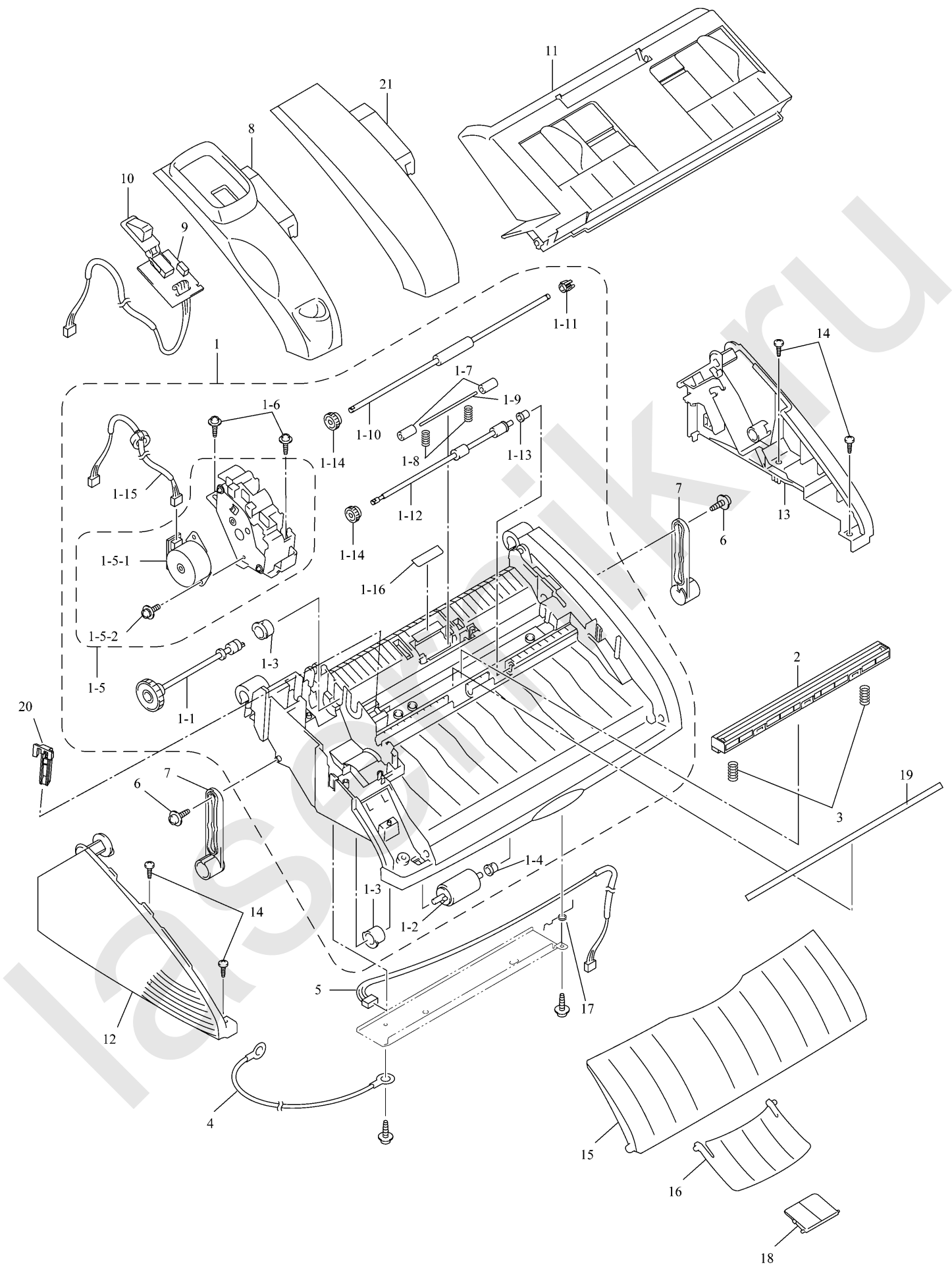
## LIST4(FIXING UNIT)

REF No.	CODE	QTY	DESCRIPTION	RECOMMEND	REMARK
1	LE7343001	1	FIXING UNIT, 230V(SP)	√	
1-1	LE1849001	1	THERMISTER ASSY		
1-2	087311415	1	TAPTITE, CUP B M3X14		
1-3	LE7302001	1	HEAT ROLLER CLEANER FELT		
1-4	LE1850001	1	HEAT ROLLER		
1-5	UH3178000	2	HEAT ROLLER SHAFT HOLDER		
1-6	LE7133001	1	TUNGSTEN HOLOGEN LAMP, 230V		
1-7	UH3182000	1	FEEDER ELECTRODE PLATE		
1-8	083311016	1	TAPTITE, PAN B M3X10		CHG
1-9	LJ4820001	1	SCREW, PAN(WASHER) M2.6X6DA		
1-10	UH3323001	2	EJECT PINCH ROLLER ASSY		
1-11	UL6682001	4	PINCH SPRING		
1-12	085311216	2	TAPTITE, BIND B M3X12		
1-13	LE7043001	1	CLEANER ASSY		
1-14	----		NOT USED		
1-15	UH3324001	2	EJECTION PRESSURE ROLLER		
2	087411616	2	TAPTITE, CUP B M4X16		



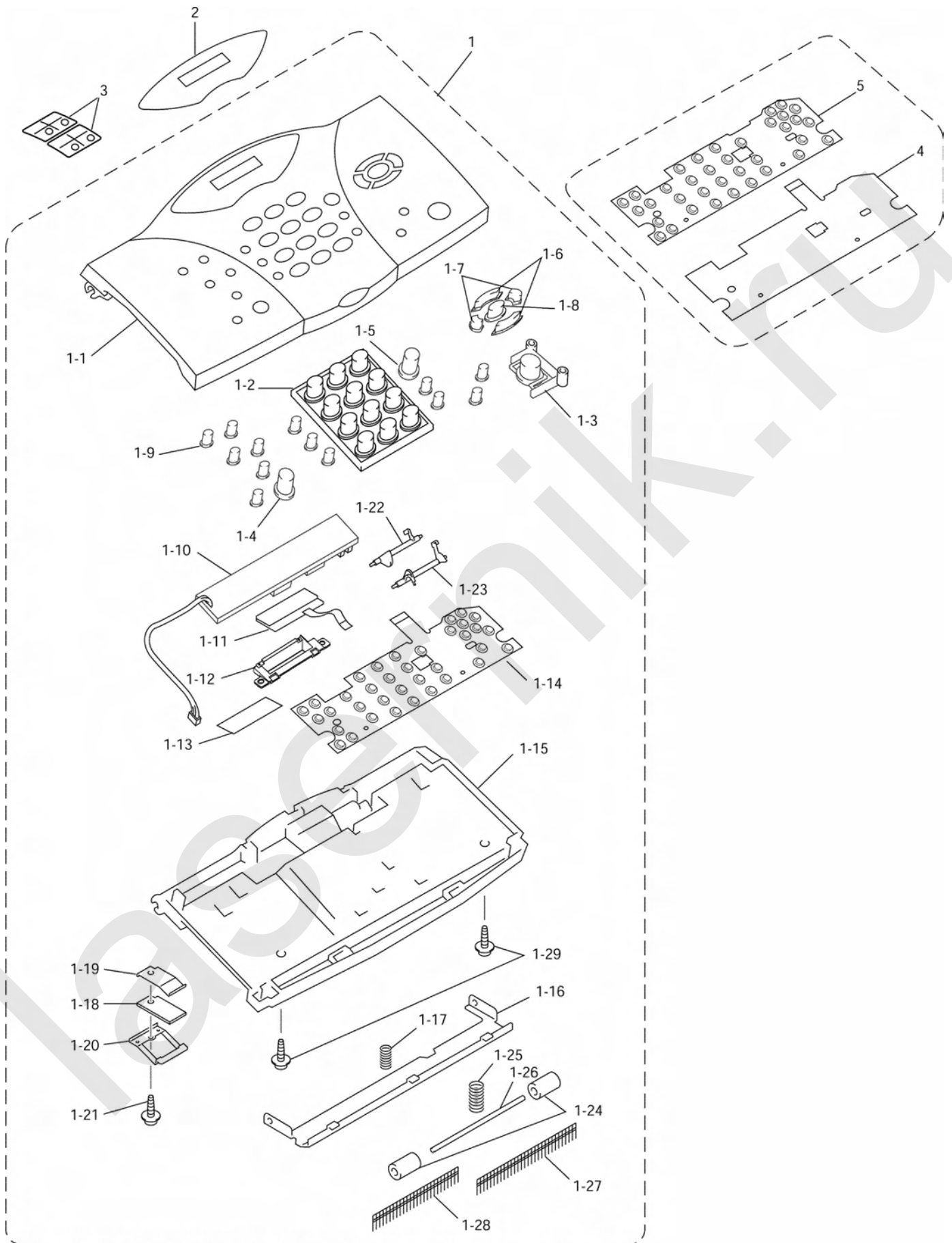
## LIST5(MAIN COVER)

REF No.	CODE	QTY	DESCRIPTION	RECOMMEND	REMARK
1	LE1786001	1	MAIN COVER, GRAY(1495)		
2	LE7299001	2	RUBBER FOOT(FRONT)		
3	LE1863001	1	EL BOARD		
4	LF2520001	1	FAN MOTOR ASSY		chg
5	LE1865001	1	HIGH-VOLTAGE INSULATOR SHEET		
6	LE1866001	1	TOP COVER SENSOR ACTUATOR		
7	LG3166001	1	SPEAKER UNIT		
8	LF2503001	1	BOTTOM PLATE		chg
9	LE1870001	1	PAPER EJECTION TRAY		
10	LE1871001	1	PAPER EJECTION SUB TRAY		
11	LJ5599001	1	PAPER STOPPER		
12	LE1872001	2	PAPER EJECT TRAY HOLDER		
13	LF2504001	2	BOTTOM LEG		chg
14	085411215	12	SCREW, BIND B TITE 4X12		
15	UF6559001	1	SCREW, PAN (WASHER) M4X8DB		
16	LE1874001	1	PAPER EJECT SENSOR ACTUATOR		
17	LE1968001	1	SCANNING GROUND SPRING		
18	087310815	2	TAPTITE, CUP B M3X8		
19	LE1876001	1	ANTI-STATIC BRUSH		
20	LE1877001	1	BOARD ACCESS COVER		
21	LG3168001	1	REGISTRATION SENSOR PCB ASSY		
22	087320616	18	TAPTITE, CUP S M3X6		
23	----		NOT USED		
24	LF6629001	1	LOW-VOLTAGE INSULATOR SHEET		CHG
25	083321416	2	TAPTITE, PAN S M3X14		chg
26	LE7141001	1	ACCESS COVER SHEET, FAX8070P		
27	LE7898001	1	PROTECTION FILM		
28	UF5745000	1	MJ COVER, EXT FOR GER/UK/FRA/BEL/FIN/DEN/AUS/ITA/ZAF/SWE		chg
29	----		NOT USED		
30	LE1967001	1	DUCT FILE		add
31	UU7047001	1	HEAT INSULATION SHEET		add
32	UU7048001	1	LABEL SPONGE		add
33	LF2505001	2	RUBBER FOOT(REAR)		chg



## LIST6(TOP COVER)

REF No.	CODE	QTY	DESCRIPTION	RECOMMEND	REMARK
1	LE1950001	1	TOP COVER ASSY, GRAY(1495)		
1-1	LE1814001	1	SEPARATION ROLLER GEAR		
1-2	UF5511001	1	SEPARATION ROLLER		CHG
1-3	LE6325001	2	BUSHING L		
1-4	LE6326001	1	BUSHING R		
1-5	LE1808001	1	SCANNER DRIVE UNIT		
1-5-1	LE7039001	1	SCANNER MOTOR		
1-5-2	0A4300605	1	SCREW, PAN (S/P WASHER) M3X6		
1-6	087310815	2	TAPTITE, CUP B M3X8		
1-7	UF9009001	2	PRESSURE ROLLER		
1-8	LE2472001	2	PRESSURE ROLLER SPRING		
1-9	LE2471001	1	PRESSURE ROLLER SHAFT		
1-10	LE1816001	1	DOCUMENT FEED ROLLER		
1-11	UL6642000	1	PAWLED BUSHING		
1-12	LE7135001	1	DOCUMENT EJECTION ROLLER ASSY		
1-13	UF9949001	1	EJECTION ROLLER BUSHING		
1-14	LE1196001	2	DOCUMENT FEED/EJECTION ROLLER GEAR		
1-15	LG3171001	1	SCANNER MOTOR HARNESS		
1-16	UU7364001	1	SEPARATION ROLLER FILM		
2	LG3157001	1	CIS UNIT	√	
3	UU2028001	2	CIS SPRING		
4	LG3207001	1	FG WIRE		
5	LG3741001	1	CIS HARNESS		
6	LE4199001	2	TAPTITE, PAN B M4X6D10		
7	LE1884001	2	LINK STOPPER		
8	LE1949001	1	HS HOLDER, MFC4800		add
9	LG3397001	1	HOOK PCB ASSY, FAX8070P/MFC9070		
9	LG3735001	1	HOOK PCB ASSY, MFC9030		
9	LG3202001	1	HOOK PCB ASSY, MFC4800		add
10	UF8167008	1	ACTUATOR HOOK, MFC4800		add
11	LE1885001	1	DOCUMENT BASE ASSY, GRAY(1495)		
12	LE1889001	1	SIDE COVER L		
13	LE1890001	1	SIDE COVER R		
14	085411215	4	SCREW, BIND B TITE 4X12		
15	LE1891001	1	DOCUMENT EJECTION TRAY		
16	LE1892001	1	DOCUMENT EJECTION SUB TRAY		
17	LE8109001	1	FEED ROLLER GROUNDING SPRING		
18	----		NOT USED		
19	----		NOT USED		
20	----		NOT USED		
21	LE7134001	1	W/O HANDSET COVER, MFC8070P/MFC9030/MFC9070		



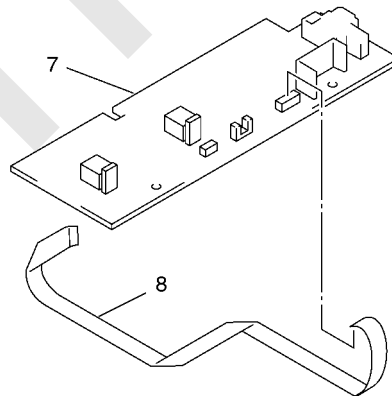
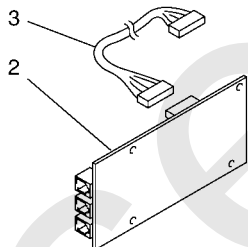
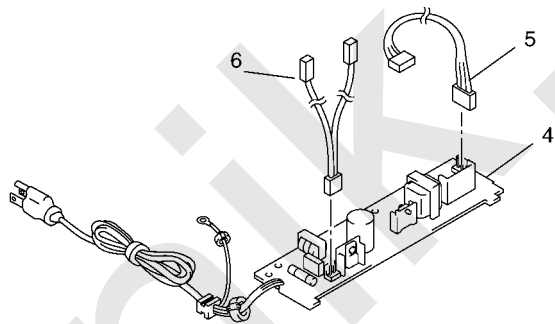
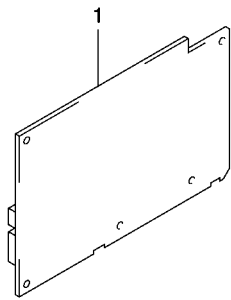


## LIST7(CONTROL PANEL)

REF No.	CODE	Q'TY	DESCRIPTION	RECOMMEND	REMARK
1	LE7229001	1	CONTROL PANEL ASSY, GRAY(1495), FAX8070P FOR GER/AUS	√	
1	LE8033001	1	CONTROL PANEL ASSY, GRAY(1495), MFC9030 FOR GER	√	
1	LE7244001	1	CONTROL PANEL ASSY, GRAY(1495), MFC9070 FOR GER/AUS	√	
1	LE7235001	1	CONTROL PANEL ASSY, GRAY(1495), FAX8070P FOR UK/BEL/CHE/IRE/POL	√	
1	LE8042001	1	CONTROL PANEL ASSY, GRAY(1495), MFC9030 FOR UK	√	
1	LE7252001	1	CONTROL PANEL ASSY, GRAY(1495), MFC9070 FOR UK/BEL/CHE/IRE/ZAF/POL/GNR	√	
1	LE7241001	1	CONTROL PANEL ASSY, GRAY(1495), FAX8070P FOR FRA	√	
1	LE8046001	1	CONTROL PANEL ASSY, GRAY(1495), MFC9030 FOR FRA	√	
1	LE7255001	1	CONTROL PANEL ASSY, GRAY(1495), MFC9070 FOR FRA	√	
1	LE7507001	1	CONTROL PANEL ASSY, GRAY(1495), FAX8070P FOR NOR	√	
1	LE7484001	1	CONTROL PANEL ASSY, GRAY(1495), MFC9070 FOR NOR	√	
1	LE7525001	1	CONTROL PANEL ASSY, GRAY(1495), FAX8070P FOR NLD	√	
1	LE7497001	1	CONTROL PANEL ASSY, GRAY(1495), MFC9070 FOR NLD	√	
1	LE7705001	1	CONTROL PANEL ASSY, GRAY(1495), FAX8070P FOR FIN	√	
1	LE7544001	1	CONTROL PANEL ASSY, GRAY(1495), FAX8070P FOR DEN	√	
1	LE7513001	1	CONTROL PANEL ASSY, GRAY(1495), MFC9070 FOR DEN	√	
1	LE7549001	1	CONTROL PANEL ASSY, GRAY(1495), FAX8070P FOR SPA	√	
1	LE7520001	1	CONTROL PANEL ASSY, GRAY(1495), MFC9070 FOR SPA	√	
1	LE7553001	1	CONTROL PANEL ASSY, GRAY(1495), FAX8070P FOR ITA	√	
1	LE7529001	1	CONTROL PANEL ASSY, GRAY(1495), MFC9070 FOR ITA	√	
1	LE7557001	1	CONTROL PANEL ASSY, GRAY(1495), FAX8070P FOR SWE	√	
1	LE7534001	1	CONTROL PANEL ASSY, GRAY(1495), MFC9070 FOR SWE	√	
1	LF2466001	1	CONTROL PANEL ASSY, MFC4800	√	add
1-1	LE7126001	1	CONTROL PANEL, FAX8070P FOR GER/AUS		
1-1	LE7123001	1	CONTROL PANEL, MFC9030/MFC9070 FOR GER/AUS		
1-1	LE7128001	1	CONTROL PANEL, FAX8070P FOR UK/BEL/CHE/IRE/POL		
1-1	LE7125001	1	CONTROL PANEL, MFC9030/MFC9070 FOR UK/BEL/CHE/IRE/ZAF/POL/GNR		
1-1	LE7127001	1	CONTROL PANEL, FAX8070P FOR FRA		
1-1	LE7124001	1	CONTROL PANEL, MFC9030/MFC9070 FOR FRA		
1-1	LE7508001	1	CONTROL PANEL, FAX8070P FOR NOR		
1-1	LE7485001	1	CONTROL PANEL, MFC9070 FOR NOR		
1-1	LE7526001	1	CONTROL PANEL, FAX8070P FOR NLD		
1-1	LE7498001	1	CONTROL PANEL, MFC9070 FOR NLD		
1-1	LE7706001	1	CONTROL PANEL, FAX8070P FOR FIN		
1-1	LE7545001	1	CONTROL PANEL, FAX8070P FOR DEN		
1-1	LE7514001	1	CONTROL PANEL, MFC9070 FOR DEN		
1-1	LE7550001	1	CONTROL PANEL, FAX8070P FOR SPA		
1-1	LE7521001	1	CONTROL PANEL, MFC9070 FOR SPA		
1-1	LE7540001	1	CONTROL PANEL, FAX8070P FOR ITA		
1-1	LE7530001	1	CONTROL PANEL, MFC9070 FOR ITA		
1-1	LE7558001	1	CONTROL PANEL, FAX8070P FOR SWE		
1-1	LE7535001	1	CONTROL PANEL, MFC9070 FOR SWE		
1-1	LF2467001	1	CONTROL PANEL, MFC4800		add
1-2	LE4073003	1	KEY, TEN, GRAY(1495)		
1-3	LJ4285004	1	KEY, START, PURPLE(6255)		
1-4	LE6171002	1	KEY, COPY, GREEN(5159)		
1-5	LE6171004	1	KEY, STOP, PINK(2205)		
1-6	LE6168001	2	KEY, CURSOR L, PURPLE(6255)		
1-7	LE6169001	2	KEY, CURSOR S, PURPLE(6255)		

## LIST7(CONTROL PANEL)

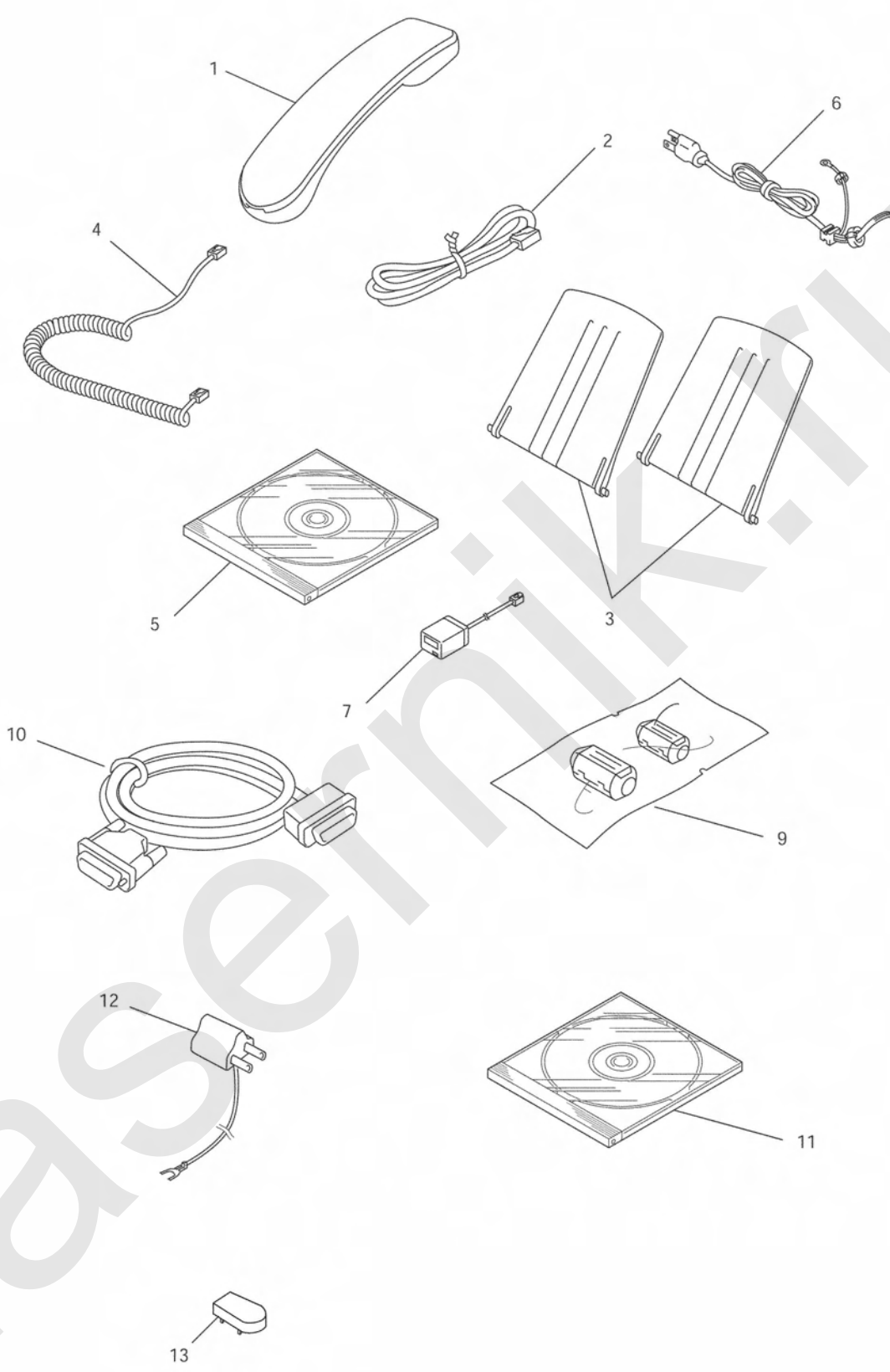
REF No.	CODE	Q'TY	DESCRIPTION	RECOMMEND	REMARK
1-8	LE6350001	1	KEY, MENU FOR GER/AUS <GERMAN>		
1-8	LE6079001	1	KEY, MENU FOR UK/FRA/NOR/BEL/NLD/CHE/ IRE/FIN/DEN/SPA/ ITA/ZAF/POL/RUS/GNR <ENGLISH>		
1-9	LE7276001	13	KEY, CYLINDER 6, GRAY(1495)		
1-10	LG3394001	1	PANEL PCB ASSY, FAX8070P/MFC9070		
1-10	LG3173001	1	PANEL PCB ASSY, MFC9030/MFC4800		
1-11	LG3393001	1	LCD, FAX8070P/MFC9070		
1-11	LG5340001	1	LCD, MFC9030		chg
1-11	LG5341001	1	LCD, MFC4800		chg
1-12	LE7129001	1	BACKLIGHT HOLDER, FAX8070P/MFC9030		
1-13	LE7130001	1	BACKLIGHT DIFFUSER, FAX8070P/MFC9030		
1-14	LG3248001	1	KEY, FPC ASSY		
1-15	LE1925001	1	PANEL REAR COVER		
1-16	LE6342001	1	DOCUMENT PRESSURE BAR ASSY		
1-17	UU2057001	1	DOCUMENT PRESSURE BAR SPRING		
1-18	LF6077001	1	SEPARATION RUBBER		chg
1-19	UU7105001	1	ADF PLATE SPRING		
1-20	LE1961001	1	FRONT PLATE SPRING		
1-21	UF5034001	1	TAPTITE, B 3X6		
1-22	LE6176001	1	ACTUATOR F		
1-23	LE6177001	1	ACTUATOR R		
1-24	UF9009001	2	PINCH ROLLER		
1-25	LE1927001	1	PINCH ROLLER SPRING		
1-26	LE2471001	1	PRESSURE ROLLER SHAFT		
1-27	LE1071001	1	ANTI-STATIC BRUSH 79MM		
1-28	LE7298001	1	ANTI-STATIC BRUSH 65MM		
1-29	087310815	2	TAPTITE, CUP B M3X8		
2	LE7132001	1	PANEL SHEET, FAX8070P		
2	LE8034001	1	PANEL SHEET, MFC9030		
2	LE7131001	1	PANEL SHEET, MFC9070		
2	LE1954001	1	PANEL SHEET, MFC4800		add
3	LE5308001	1	ADDRESS LABEL, FAX8070P		
4	LG6325001	1	FPC YL4MFC BASE		ADD
5	LG6326001	1	FPC YL4MFC KEY		ADD



Watermark: LaserK.ru

## LIST8(PCB)

REF No.	CODE	Q'TY	DESCRIPTION	RECOMMEND	REMARK
1	LG3388001	1	MAIN PCB ASSY, FAX8070P	√	
1	LG3736001	1	MAIN PCB ASSY, MFC9030	√	
1	LG3385001	1	MAIN PCB ASSY, MFC9070 EXCEPT FOR GNR	√	chg
1	LG3385002	1	MAIN PCB ASSY, MFC9070 FOR GNR	√	add
1	LG3390001	1	MAIN PCB ASSY, MFC4800	√	ADD
2	LG3490031	1	NCU PCB ASSY FOR GER/CHE	√	
2	LG2810014	1	NCU PCB ASSY FOR UK/NOR/FIN/DEN/ZAF/SWE/GNR	√	
2	LG3490032	1	NCU PCB ASSY FOR FRA/BEL/NLD/IRE/AUS/SPA/ITA	√	
2	LG2821001	1	NCU PCB ASSY FOR POL	√	
2	LG2820001	1	NCU PCB ASSY FOR RUS	√	ADD
3	LG3491001	1	NCU HARNESS		
4	LG5123001	1	LOW-VOLTAGE POWER SUPPLY PCB ASSY	√	chg
4	LG5125001	1	LOW-VOLTAGE POWER SUPPLY PCB ASSY FOR RUS	√	ADD
5	LG3195001	1	LV HARNESS		
6	LG3196001	1	HEATER HARNESS		
7	LG5009001	1	HIGH-VOLTAGE POWER SUPPLY PCB ASSY	√	chg
8	LG3198001	1	HV HARNESS		
(9)	LG3429001	1	BATTERY		



## LIST9(Accessories)

REF No.	CODE	QTY	DESCRIPTION	RECOMMEND	REMARK
1	LE5803011	1	HANDSET ASSY, MFC4800		add
2	UG3625001	1	TELEPHONE LINE CORD FOR GER		
2	UG3626001	1	TELEPHONE LINE CORD FOR UK/ZAF		
2	UG3627001	1	TELEPHONE LINE CORD FOR FRA		
2	UG3629001	1	TELEPHONE LINE CORD FOR NOR		
2	UG1575001	1	TELEPHONE LINE CORD FOR BEL		
2	LG3077001	1	TELEPHONE LINE CORD FOR NLD/IRE/SPA/POL/RUS/GNR		
2	UG3469000	1	TELEPHONE LINE CORD FOR CHE		
2	LG5827001	1	TELEPHONE LINE CORD FOR FIN/DEN/SWE		CHG
2	<del>UG3633004</del>	<del>4</del>	<del>TELEPHONE LINE CORD FOR DEN</del>		DEL
2	<del>LG4566004</del>	<del>4</del>	<del>TELEPHONE PLUG FOR DEN</del>		del
2	UG4205001	1	TELEPHONE LINE CORD FOR AUS		
2	UG3634001	1	TELEPHONE LINE CORD FOR ITA		
2	<del>UG3635004</del>	<del>4</del>	<del>TELEPHONE LINE CORD FOR SWE</del>		DEL
3	UU2080008	2	DOCUMENT SET TRAY ASSY, CLEAR PURPLE(6342)		
4	LG3768011	1	HANDSET CURLED CORD ASSY, MFC4800		add
5	LE8035001	1	CD-ROM ASSY, MFC9030 FOR GER/UK/FRA		
5	LE7899001	1	CD-ROM ASSY<GERMAN/ENGLISH/FRENCH>, MFC9070 FOR GER/UK/FRA/BEL/CHE/IRE/AUS/ZAF/ POL		
5	LE7499001	1	CD-ROM ASSY<DUTCH/FRENCH/ITALIAN/SPANISH>, MFC9070 FOR BEL/NLD/SPA/ITA		
5	LE7486001	1	CD-ROM ASSY <ENGLISH/NORWEGIAN/DANISH/SWEDISH>, MFC9070 FOR NOR/DEN/SWE/GNR		
5	LF2485001	1	CDROM ASSY, MFC4800		add
6	LG2085001	1	AC CORD FOR GER/FRA/NOR/BEL/NLD/FIN/AUS/SPA/ITA/SWE/ POL/RUS/GNR(VDE)	√	
6	LG2086001	1	AC CORD FOR UK/IRE(BS)	√	
6	LG2087001	1	AC CORD FOR CHE(SEV)	√	
6	LG2181001	1	AC CORD FOR DEN(DEMCO)	√	
6	LG3661001	1	AC CORD FOR ZAF(SAF)	√	
7	----		NOT USED		
(8)	----		NOT USED		
9	----		NOT USED		
10	UG4558001	1	PARALLEL INTERFACE CABLE, MFC9070 FOR GER/UK/IRE/AUS/ZAF/POL/GNR		
11	LE8787001	1	CD-ROM ASSY XP, MFC9030 FOR GER/UK/FRA		add
11	LE8784001	1	CD-ROM ASSY XP, MFC9070 FOR GER/UK/FRA/CHE/IRE/AUS/ZAF/POL		add
11	LE8786001	1	CD-ROM ASSY XP, MFC9070 FOR NOR/DEN/SWE/GNR		add
11	LE8785001	1	CD-ROM ASSY XP, MFC9070 FOR BEL/NLD/SPA/ITA		add
12	----		NOT USED		
13	LG5829001	1	TELEPHONE PLUG FOR FIN		ADD
13	LG5828001	1	TELEPHONE PLUG FOR DEN		ADD
13	LG5830001	1	TELEPHONE PLUG FOR FIN		ADD

## LIST10(PRINTED MATERIAL)

REF No.	CODE	Q'TY	DESCRIPTION	RECOMMEND	REMARK
(1)	LF2513001	1	OWNER'S MANUAL ASSY, FAX8070P FOR GER (INCLUDING OWNER'S MANUAL, WARRANTY CARD, ADDRESS LABEL, 3YR GUARANTEE CARD)	√	add
(1)	LE7231001	1	OWNER'S MANUAL ASSY, FAX8070P FOR GER/AUS (INCLUDING OWNER'S MANUAL, WARRANTY CARD, ADDRESS LABEL)	√	
(1)	LF2514001	1	OWNER'S MANUAL ASSY, MFC9070 FOR GER (INCLUDING OWNER'S MANUAL, WARRANTY CARD, LICENSE AGREEMENT SHEET, 3YR GUARANTEE CARD)	√	add
(1)	LE7248001	1	OWNER'S MANUAL ASSY, MFC9030/MFC9070 FOR GER (INCLUDING OWNER'S MANUAL, WARRANTY CARD, LICENSE AGREEMENT SHEET)	√	
(1)	LE8088001	1	OWNER'S MANUAL ASSY, MFC9030 FOR GER (INCLUDING OWNER'S MANUAL, WARRANTY CARD, LICENSE AGREEMENT SHEET, 3YR GUARANTEE CARD)	√	add
(1)	LE7238001	1	OWNER'S MANUAL ASSY, FAX8070P FOR UK (INCLUDING OWNER'S MANUAL, 3 WARRANTY CARDS, ADDRESS LABEL)	√	
(1)	LE8101001	1	OWNER'S MANUAL ASSY, MFC9030/MFC9070 FOR UK (INCLUDING OWNER'S MANUAL, 3 WARRANTY CARDS, LICENSE AGREEMENT SHEET)	√	
(1)	LE7242001	1	OWNER'S MANUAL ASSY, FAX8070P FOR FRA (INCLUDING OWNER'S MANUAL, 2 WARRANTY CARDS, ADDRESS LABEL)	√	
(1)	LE8105001	1	OWNER'S MANUAL ASSY, MFC9030/MFC9070 FOR FRA (INCLUDING OWNER'S MANUAL, 2 WARRANTY CARDS, LICENSE AGREEMENT SHEET)	√	
(1)	LE7561001	1	OWNER'S MANUAL ASSY, FAX8070P FOR NOR (INCLUDING OWNER'S MANUAL, WARRANTY CARD, ADDRESS LABEL)	√	
(1)	LE7489001	1	OWNER'S MANUAL ASSY, MFC9070 FOR NOR (INCLUDING OWNER'S MANUAL, WARRANTY CARD, LICENSE AGREEMENT SHEET)	√	
(1)	LE7562001	1	OWNER'S MANUAL ASSY, FAX8070P FOR BEL (INCLUDING 2 OWNER'S MANUALS, WARRANTY CARD, ADDRESS LABEL)	√	
(1)	LE7492001	1	OWNER'S MANUAL ASSY, MFC9070 FOR BEL (INCLUDING 2 OWNER'S MANUALS, WARRANTY CARD, LICENSE AGREEMENT SHEET)	√	
(1)	LE7563001	1	OWNER'S MANUAL ASSY, FAX8070P FOR NLD (INCLUDING OWNER'S MANUAL, WARRANTY CARD, ADDRESS LABEL)	√	
(1)	LE7502001	1	OWNER'S MANUAL ASSY, MFC9070 FOR NLD (INCLUDING OWNER'S MANUAL, WARRANTY CARD, LICENSE AGREEMENT SHEET)	√	
(1)	LE7564001	1	OWNER'S MANUAL ASSY, FAX8070P FOR CHE (INCLUDING 2 OWNER'S MANUALS, WARRANTY CARD, ADDRESS LABEL)	√	
(1)	LE7504001	1	OWNER'S MANUAL ASSY, MFC9070 FOR CHE (INCLUDING 2 OWNER'S MANUALS, WARRANTY CARD, LICENSE AGREEMENT SHEET)	√	
(1)	LE7569001	1	OWNER'S MANUAL ASSY, FAX8070P FOR IRE (INCLUDING OWNER'S MANUAL, WARRANTY CARD, ADDRESS LABEL)	√	
(1)	LE7511001	1	OWNER'S MANUAL ASSY, MFC9070 FOR IRE (INCLUDING OWNER'S MANUAL, WARRANTY CARD, LICENSE AGREEMENT SHEET)	√	
(1)	LE7707001	1	OWNER'S MANUAL ASSY, FAX8070P FOR FIN (INCLUDING OWNER'S MANUAL, ADDRESS LABEL)	√	
(1)	LE7565001	1	OWNER'S MANUAL ASSY, FAX8070P FOR DEN (INCLUDING OWNER'S MANUAL, WARRANTY CARD, ADDRESS LABEL)	√	
(1)	LE7515001	1	OWNER'S MANUAL ASSY, MFC9070 FOR DEN (INCLUDING OWNER'S MANUAL, WARRANTY CARD, LICENSE AGREEMENT SHEET)	√	
(1)	LE7566001	1	OWNER'S MANUAL ASSY, FAX8070P FOR SPA (INCLUDING OWNER'S MANUAL, 2 WARRANTY CARDS, ADDRESS LABEL)	√	
(1)	LE7522001	1	OWNER'S MANUAL ASSY, MFC9070 FOR SPA (INCLUDING OWNER'S MANUAL, 2 WARRANTY CARDS, LICENSE AGREEMENT SHEET)	√	

## LIST10(PRINTED MATERIAL)

REF No.	CODE	Q'TY	DESCRIPTION	RECOMMEND	REMARK
(1)	LE7567001	1	OWNER'S MANUAL ASSY, FAX8070P FOR ITA (INCLUDING OWNER'S MANUAL, WARRANTY CARD, ADDRESS LABEL)	√	
(1)	LE7531001	1	OWNER'S MANUAL ASSY, MFC9070 FOR ITA (INCLUDING OWNER'S MANUAL, WARRANTY CARD, LICENSE AGREEMENT SHEET)	√	
(1)	LE7539001	1	OWNER'S MANUAL ASSY, MFC9070 FOR ZAF/GNR (INCLUDING OWNER'S MANUAL, LICENSE AGREEMENT SHEET)	√	
(1)	LE7568001	1	OWNER'S MANUAL ASSY, FAX8070P FOR SWE (INCLUDING OWNER'S MANUAL, 2 WARRANTY CARDS, ADDRESS LABEL)	√	
(1)	LE7536001	1	OWNER'S MANUAL ASSY, MFC9070 FOR SWE (INCLUDING OWNER'S MANUAL, 2 WARRANTY CARDS, LICENSE AGREEMENT SHEET)	√	
(1)	LE8198001	1	OWNER'S MANUAL ASSY, FAX8070P FOR POL (INCLUDING OWNER'S MANUAL, WARRANTY CARD, ADDRESS LABEL)	√	
(1)	LE8202001	1	OWNER'S MANUAL ASSY, MFC9070 FOR POL (INCLUDING OWNER'S MANUAL, WARRANTY CARD, LICENSE AGREEMENT SHEET)	√	
(1)	LF2468001	1	OWNER'S MANUAL ASSY, MFC4800 (INCLUDING OWNER'S MANUAL, LICENSE GUIDE)	√	ADD
(1-1)	LE7232001	1	OWNER'S MANUAL, FAX8070P FOR GER/AUS		
(1-1)	LE7249001	1	OWNER'S MANUAL, MFC9030 FOR GER		
(1-1)	LE8086001	1	OWNER'S MANUAL, MFC9030/MFC9070 FOR GER/AUS		
(1-1)	LE8087004	1	OWNER'S MANUAL FOR UK/IRE/ZAF/GNR		
(1-1)	LE8087005	1	OWNER'S MANUAL FOR FRA		
(1-1)	LE7237007	1	OWNER'S MANUAL FOR NOR		
(1-1)	LE7237008	1	OWNER'S MANUAL FOR BEL <DUTCH>		
(1-1)	LE7493008	1	OWNER'S MANUAL FOR BEL/CHE <FRENCH>		
(1-1)	LE7237009	1	OWNER'S MANUAL FOR NLD		
(1-1)	LE7237010	1	OWNER'S MANUAL FOR CHE <GERMAN>		
(1-1)	LE7237012	1	OWNER'S MANUAL FOR FIN		
(1-1)	LE7237013	1	OWNER'S MANUAL FOR DEN		
(1-1)	LE7237015	1	OWNER'S MANUAL FOR SPA		
(1-1)	LE7237016	1	OWNER'S MANUAL FOR ITA		
(1-1)	LE7237026	1	OWNER'S MANUAL FOR SWE		
(1-1)	LE8087039	1	OWNER'S MANUAL FOR POL		
(1-1)	LF2384001	1	OWNER'S MANUAL, MFC4800		ADD



## LIST11(PACKAGING)

REF No.	CODE	Q'TY	DESCRIPTION	RECOMMEND	REMARK
(1)	LE7233001	1	CARTON, BROTHER, FAX8070P	√	
(1)	LE8038001	1	CARTON, BROTHER, MFC9030	√	
(1)	LE7250001	1	CARTON, BROTHER, MFC9070	√	
(1)	LE7290001	1	CARTON, BROTHER, MFC4800	√	ADD
(2)	LE1938001	1	STYROFOAM ASSY		
(3)	LE7033001	1	PROTECTION SHEET(PANEL)		
(4)	LJ5584001	1	BAG, 700X800H		
(5)	LE7046001	1	CARTON, FOR MANUAL		
(6)	UU0456001	1	PROTECTION PAPER(ADF)		
(7)	LE7413001	1	START CARD, FAX8070P FOR GER/AUS		
(7)	LE8040001	1	START CARD, MFC9030 FOR GER		
(7)	LE7416001	1	START CARD, MFC9070 FOR GER/AUS		
(7)	LE7414001	1	START CARD, FAX8070P FOR UK/IRE		
(7)	LE8044001	1	START CARD, MFC9030/MFC9070 FOR UK/IRE/ZAF		
(7)	<del>LE7417001</del>	<del>4</del>	<del>START CARD, MFC9070 FOR UK/IRE/ZAF</del>		
(7)	LE7415001	1	START CARD, FAX8070P FOR FRA		
(7)	LE8048001	1	START CARD, MFC9030/MFC9070 FOR FRA		
(7)	<del>LE7418001</del>	<del>4</del>	<del>START CARD, MFC9070 FOR FRA</del>		
(7)	LE7510001	1	START CARD, FAX8070P FOR NOR		
(7)	LE7491001	1	START CARD, MFC9070 FOR NOR		
(7)	LE7791001	1	START CARD, FAX8070P FOR BEL/CHE <FRENCH>		
(7)	LE7506001	1	START CARD, MFC9070 FOR BEL/CHE <FRENCH>		
(7)	LE7528001	1	START CARD, FAX8070P FOR BEL <DUTCH>		
(7)	LE7496001	1	START CARD, MFC9070 FOR BEL <DUTCH>		
(7)	LE7789001	1	START CARD, FAX8070P FOR NLD		
(7)	LE7790001	1	START CARD, MFC9070 FOR NLD		
(7)	LE7542001	1	START CARD, FAX8070P FOR CHE <GERMAN>		
(7)	LE7792001	1	START CARD, MFC9070 FOR CHE <GERMAN>		
(7)	LE7709001	1	START CARD, FAX8070P FOR FIN		
(7)	LE7547001	1	START CARD, FAX8070P FOR DEN		
(7)	LE7517001	1	START CARD, MFC9070 FOR DEN		
(7)	LE7552001	1	START CARD, FAX8070P FOR SPA		
(7)	LE7524001	1	START CARD, MFC9070 FOR SPA		
(7)	LE7556001	1	START CARD, FAX8070P FOR ITA		
(7)	LE7533001	1	START CARD, MFC9070 FOR ITA		
(7)	LE7538001	1	START CARD, MFC9070 FOR SWE		
(7)	LE7560001	1	START CARD, FAX8070P FOR SWE		
(7)	LE7538001	1	START CARD, MFC9070 FOR SWE		
(7)	LE8200001	1	START CARD, FAX8070P FOR POL		
(7)	LE8204001	1	START CARD, MFC9070 FOR POL		
(7)	LE7633001	1	START CARD, MFC9070 FOR GNR		
(7)	LF2388001	1	START CARD, MFC4800		ADD
(8)	UL7932001	1	BAG 400X480(FOR TONER/DRUM)		
(9)	LE8254001	1	QUICK SET UP GUIDE XP, MFC9030 FOR GER, MFC9070 FOR GER/CHE/AUS <GERMAN>		chg
(9)	LE8252001	1	QUICK SET UP GUIDE XP, MFC9030 FOR UK, MFC9070 FOR UK/IRE/ZAF/GNR		chg
(9)	LE8253001	1	QUICK SET UP GUIDE XP, MFC9030 FOR FRA, MFC9070 FOR FRA/BEL/CHE <FRENCH>		chg
(9)	LE8258001	1	QUICK SET UP GUIDE XP, MFC9070 FOR NOR		chg
(9)	LE8255001	1	QUICK SET UP GUIDE XP, MFC9070 FOR BEL/NLD <DUTCH>		chg
(9)	LE8260001	1	QUICK SET UP GUIDE XP, MFC9070 FOR DEN		chg
(9)	LE8257001	1	QUICK SET UP GUIDE XP, MFC9070 FOR SPA		chg
(9)	LE8256001	1	QUICK SET UP GUIDE XP, MFC9070 FOR ITA		chg
(9)	LE8259001	1	QUICK SET UP GUIDE XP, MFC9070 FOR SWE		chg
(9)	LE8265001	1	QUICK SET UP GUIDE XP, MFC9070 FOR POL		chg

**brother**<sup>®</sup>

8X5631  
PL-FAX016  
Ver. AA-1