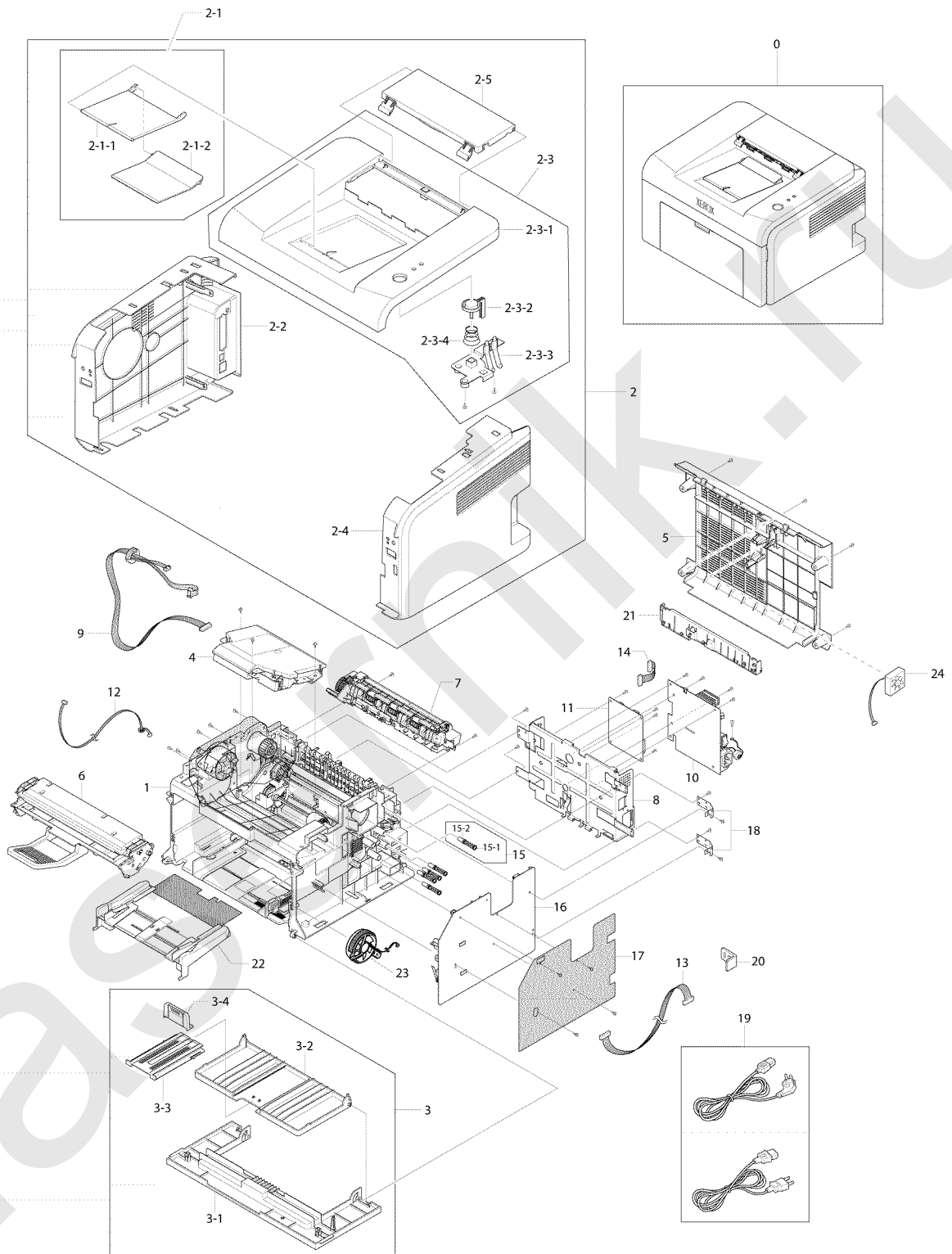


**5. Spare Parts List**

PL 1 Main Assembly .....5-2  
PL 2 Frame Assembly .....5-4  
PL 3 Fuser Assembly .....5-6  
PL 4 Paper Path Assembly .....5-8  
PL 5 Main Drive Assembly .....5-10  
PL 6 Common Hardware & General Service Items .....5-12

laserernik.ru

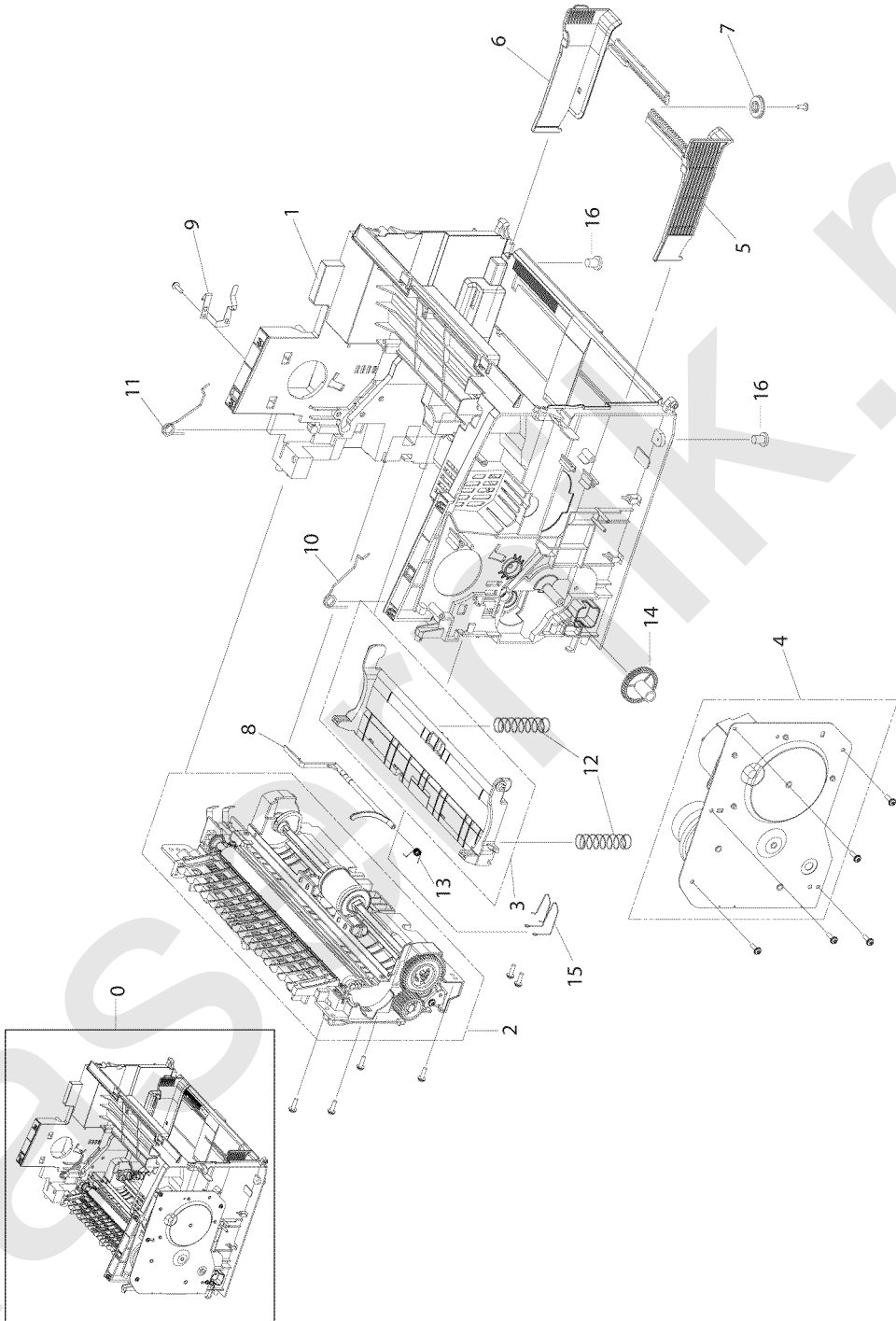
# PL 1 Main Assembly



## PL 1 Main Assembly

Item	Part Number	Description	Remark
0		PHASER 3124 / PHASER 3125	
1		LOWER FRAME UNIT	
2		MAIN COVERS	
2-1		STACKER EXT	
2-1-1		GUIDE-M-STACKER RX	
2-1-2		GUIDE-M-SUB-STACKER	
2-2		RIGHT COVER	REP 5
2-3		TOP COVER ASSEMBLY	REP 4
2-3-1		TOP COVER	
2-3-2		ONLINE KEY	
2-3-3		LED LENS	
2-3-4		KEY SPRING	
2-4		LEFT COVER	REP 5
2-5		EXIT COVER	
3		FRONT COVER ASSEMBLY	REP 1
3-1		FRONT COVER	
3-2		CASSETTE TRAY	REP 2
3-3		PAPER TRAY EXTENSION	
3-4		PAPER TRAY GUIDE	
4	122N00272	LSU	REP 12
5		REAR COVER	REP 3
6		TONER CARTRIDGE	
7		FUSER ASSEMBLY (220V)	
7		FUSER ASSEMBLY (110V)	
8		ENGINE SHIELD	REP 6
9		LSU HARNESS	
10	105N02067	SMPS (220V)	REP 9
10	105N02066	SMPS (110V)	REP 9
11	140N63235	MAIN PBA (PHASER 3124/B)	REP 10
11	140N63236	MAIN PBA (PHASER 3125/B)	REP 10
11	140N63237	MAIN PBA (PHASER 3125/N)	REP 10
12		MOTOR HARNESS	
13		HVPS HARNESS	
14		SMPS HARNESS	
15		TERMINAL	
15-1		HV SHAFT	
15-2		SPRING	
16	105N02068	HVPS	REP 8
17		PROTECTIVE SHEET	
18		HVPS GROUND	
19		POWER CORD (220V)	
19		POWER CORD (110V)	
20		CHANNEL PLATE	
21		ENGINE SHIELD CAP	
22		BYPASS TRAY	
23	127N01453	FUSER FAN	
24		REAR COVER FAN	

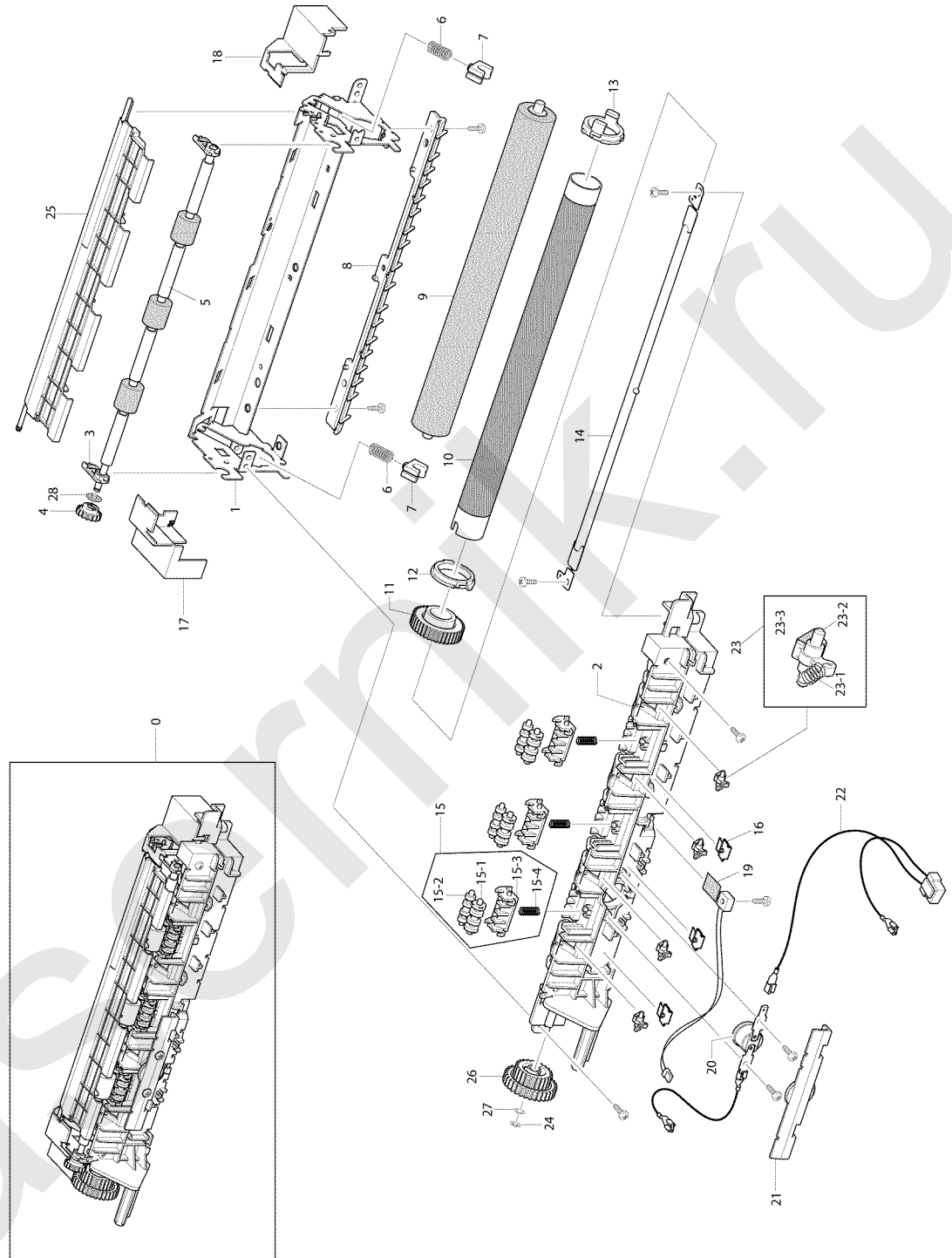
# PL 2 Frame Assembly



## PL 2 Frame Assembly

Item	Part Number	Description	Remark
0		LOWER FRAME UNIT	
1		BASE FRAME	
2		PAPER PATH ASSEMBLY	
3		PAPER KNOCK-UP ASSEMBLY	
4	007N01572	MAIN DRIVE ASSEMBLY	
5		RIGHT PAPER GUIDE	
6		LEFT PAPER GUIDE	
7		GEAR PINION	
8	120N00504	PAPER EMPTY ACTUATOR	
9		OPC GROUND	
10		RIGHT TORSION SPRING	
11		LEFT TORSION SPRING	
12		KNOCK-UP SPRING	
13		ACTUATOR SPRING	
14		FEED GEAR	
15		SPRING	
16		RUBBER FOOT	

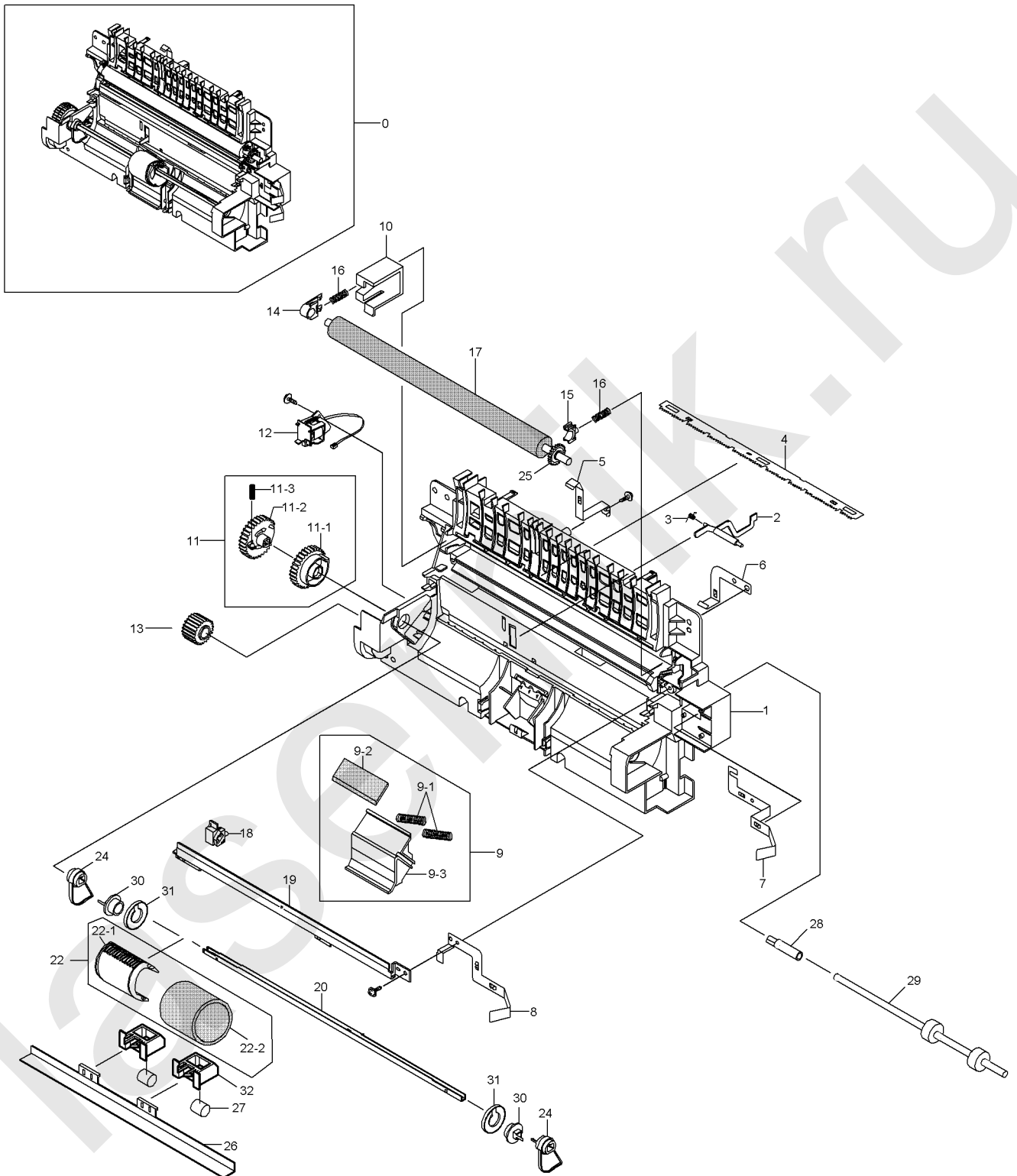
# PL 3 Fuser Assembly



## PL 3 Fuser Assembly

Item	Part Number	Description	Remark
0	126N00275	FUSER (220V)	REP 7
0	126N00274	FUSER (110V)	REP 7
1		FUSER FRAME	
2		FUSER COVER	
3		EXIT ROLLER HOLDER	
4		FUSER GEAR	
5		EXIT ROLLER	
6		SPRING	
7		BEARING	
8		FUSER GUIDE	
9	022N01611	PRESSURE ROLLER	
10	022N02310	HEAT ROLLER	
11		HEAT ROLLER GEAR	
12		RIGHT HEAT BUSH	
13		LEFT HEAT BUSH	
14	122N00270	HALOGEN LAMP 220V	
14	122N00269	HALOGEN LAMP 110V	
15		ROLLER RACK	
15-1		ROLLER MAIN	
15-2		ROLLER FR	
15-3		ROLLER HOLDER	
15-4		SPRING	
16		SPRING PLACE HOLDER	
17		LEFT FUSER COVER	
18		RIGHT FUSER COVER	
19	130N01499	THERMISTOR	
20	130N01498	THERMOSTAT	
21		THERMOSTAT CAP	
22		FUSER HARNESS JOINT	
23		STRIPPER FINGER	
23-1		SPRING	
23-2		FINGER PLATE	
23-3		CLAW	
24		E-CLIP	
25		FUSER DUMMY	
26		FUSER GEAR	
27		WASHER	
28		C-RING	

# PL 4 Paper Path Assembly

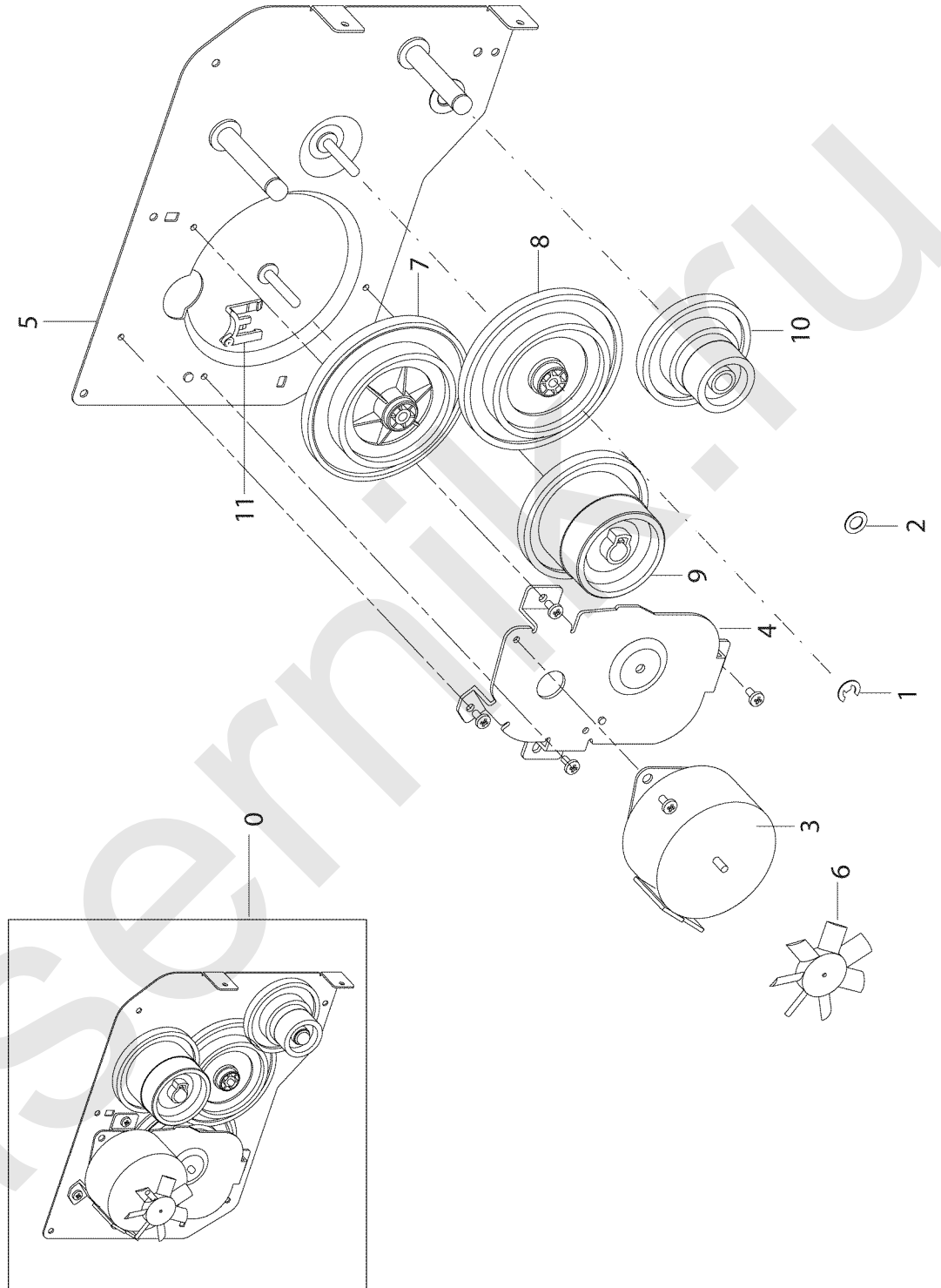




## PL 4 Paper Path Assembly

Item	Part Number	Description	Remark
0		PAPER PATH ASSEMBLY	REP 13
1		PAPER PATH GUIDE	
2	130N01497	FEED SENSOR ACTUATOR	
3		ACTUATOR SPRING	
4	015N00558	IPR PLATE SAW	
5		VARISTOR GROUND	
6		ZENER P GROUND	
7		THV GROUND	
8		SAW P GROUND	
9		HOLDER PAD UNIT	
9-1		SPRING	
9-2		FRICTION PAD	
9-3		HOLDER-M-PAD	
10		BUSH HOLDER	
11		PICK-UP GEAR	
11-1		PICK-UP GEAR B	
11-2		PICK-UP GEAR A	
11-3		PICK-UP GEAR SPRING	
12		SOLENOID	
13		FEED GEAR	
14		TRANSFER ROLLER RIGHT BUSH	
15		TRANSFER ROLLER LEFT BUSH	
16		TRANSFER ROLLER SPRING	
17	022N02309	TRANSFER ROLLER	
18		PTL HOLDER	
19		EARTH TRANSFER	
20		PICK-UP SHAFT	
21		NOT USED	
22		PICK-UP ASSEMBLY	
22-1		PICK-UP RUBBER HOUSING	
22-2		RUBBER PICK UP	
23		NOT USED	
24		PICK-UP CAM	
25		TRANSFER ROLLER GEAR	
26		IDLE BAR	
27		IDLE ROLLER	
28		FEED EXTENSION	
29		FEED ROLLER	
30		CATCH	
31		IDLE RING	
32		IDLE ROLL HOLDER	

## PL 5 Main Drive Assembly



## PL 5 Main Drive Assembly

Item	Part Number	Description	Remark
0		MAIN DRIVE ASSEMBLY	REP 11
1		E-CLIP	
2		WASHER	
3		MAIN MOTOR	
4		MOTOR BRACKET	
5		PLATE	
6		MOTOR IMPELLER	
7		RDCN GEAR 139/83	
8		RDCN GEAR 113/83	
9		FUSER DRIVE GEAR	
10		OPC DRIVE GEAR	
11		SPACER	