

PIXMA iP4200

**PARTS
CATALOG**

Canon

Parts Catalog

PIXMA iP4200

CANON

FIGURE 1

PRINTER, CASSETTE UNIT & PRINT HEAD



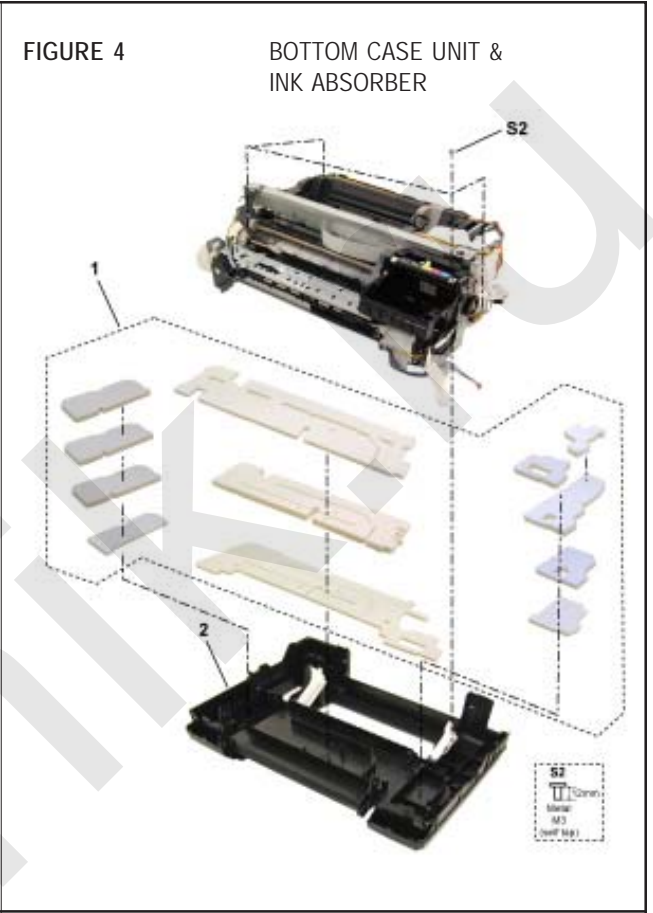
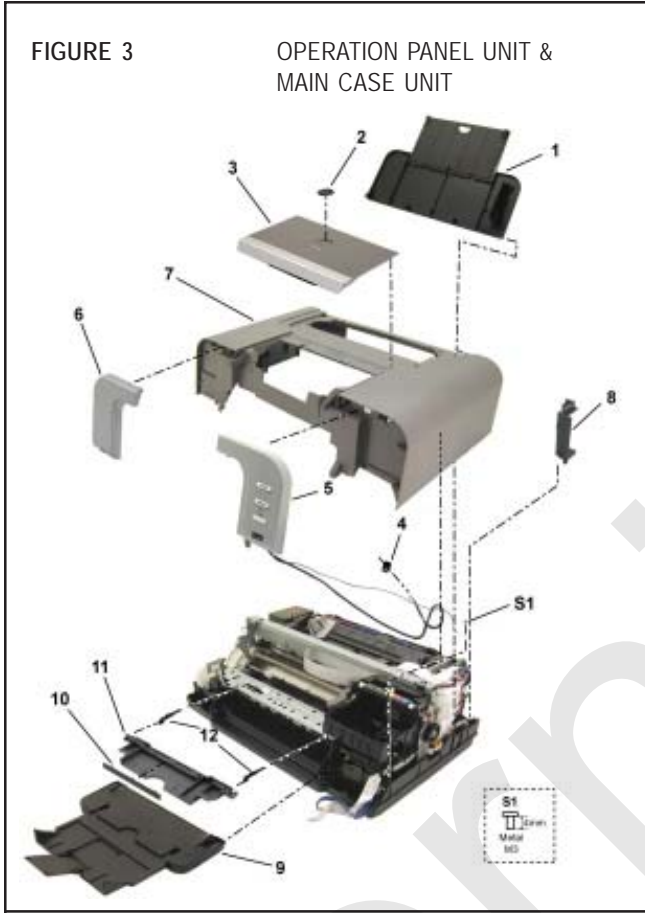
FIGURE 2

AC ADAPTER



NUM.	PART #	DESCRIPTION
1 - 1	QM2-2219-000	CASSETTE UNIT
2	QC1-6377-000	COVER, CASSETTE
3	QY6-0059-000	PRINT HEAD
4	QK1-0278-000	CORD, POWER 100V-120V

NUM.	PART #	DESCRIPTION
2 - 1	QK1-1479-000	AC ADAPTER: 100V-120V 50/60HZ



NUM.	PART #	DESCRIPTION
3 - 1	QM2-2226-000	PAPER SUPPORT UNIT
2	QC1-6719-000	EMBLEM, PIXMA
3	QM2-2222-000	ACCESS COVER UNIT
4	WE8-5881-000	CORE, RING
5	QM2-2225-000	PANEL COVER R UNIT
6	QM2-2224-000	PANEL COVER L UNIT
7	QM2-2221-000	MAIN CASE UNIT
8	QC1-6405-000	COVER, I/F
9	QM2-2228-000	FRONT DOOR UNIT
10	QC1-6199-000	COVER, CDR TRAY BASE W/O CDR PRINTING
11	QM2-2220-000	INNER (CDR) TRAY BASE UNIT
12	QC1-6321-000	ARM, RELEASE (2)

NUM.	PART #	DESCRIPTION
4 - 1	QY5-0146-000	ABSORBER KIT
2	QM2-2227-000	BOTTOM CASE UNIT

FIGURE 5

LOGIC BOARD ASS'Y

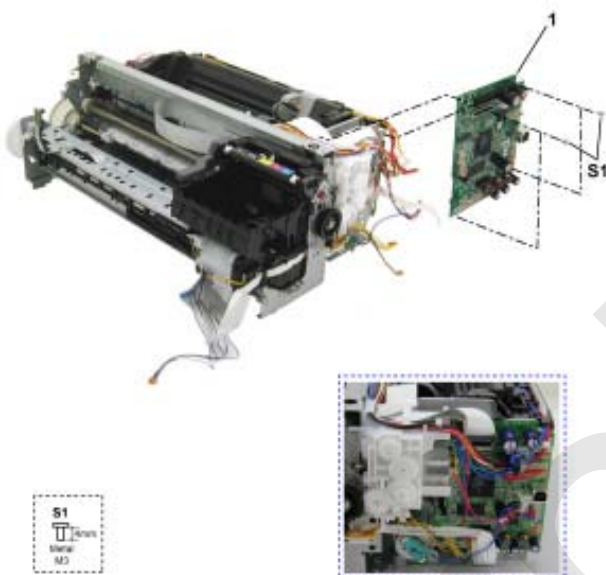
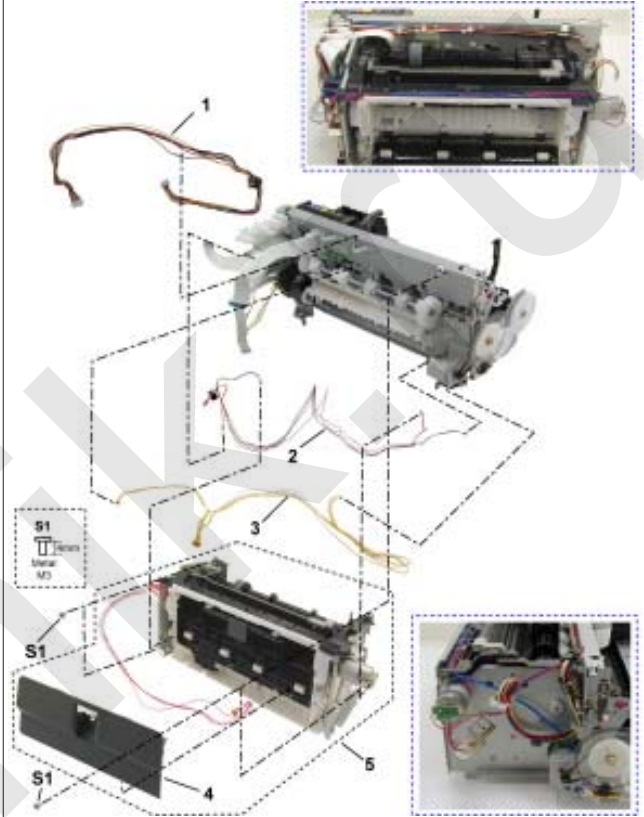


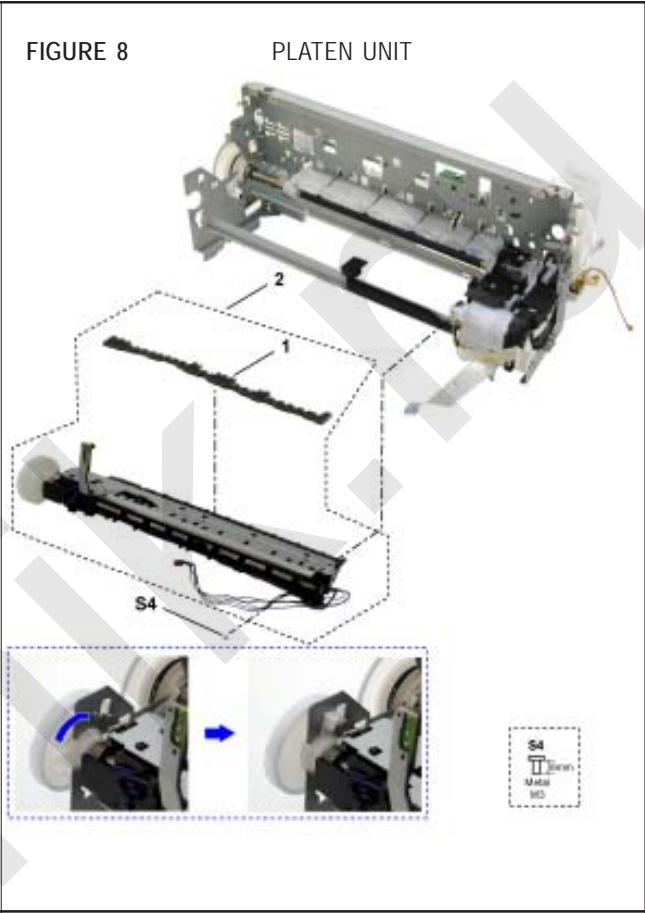
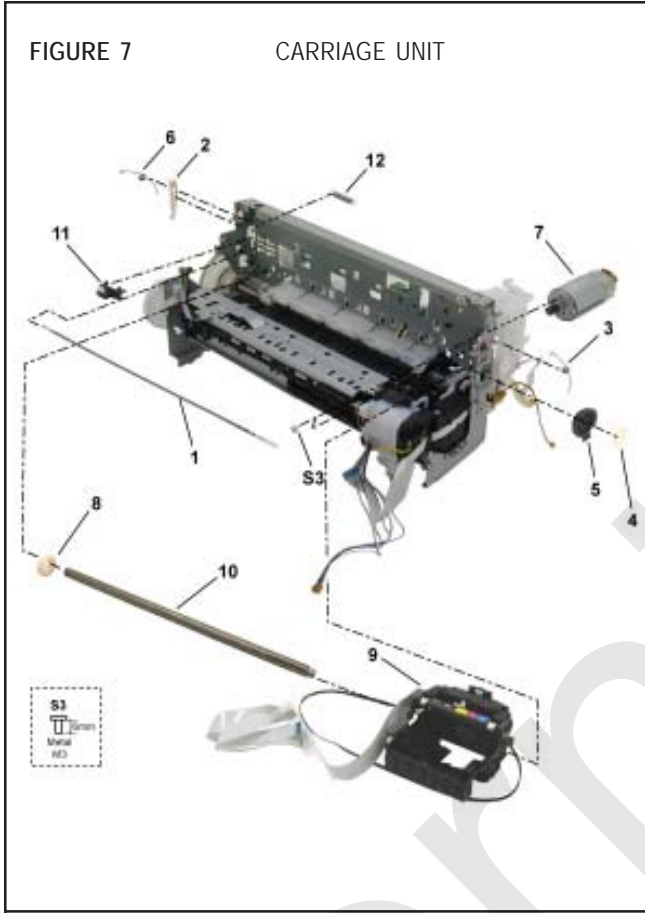
FIGURE 6

SHEET FEED UNIT



NUM.	PART #	DESCRIPTION
5 - 1	QM2-2670-000	LOGIC BOARD ASS'Y

NUM.	PART #	DESCRIPTION
6 - 1	QM2-2695-000	DC CONNECTOR ASS'Y
2	QM2-2688-000	MOTOR MULTI HARNESS ASS'Y
3	QM2-2685-000	SENSOR MULTI HARNESS ASS'Y
4	QC1-6347-000	COVER, PAPER FEED GUIDE
5	QM2-2211-000	SHEET FEED UNIT

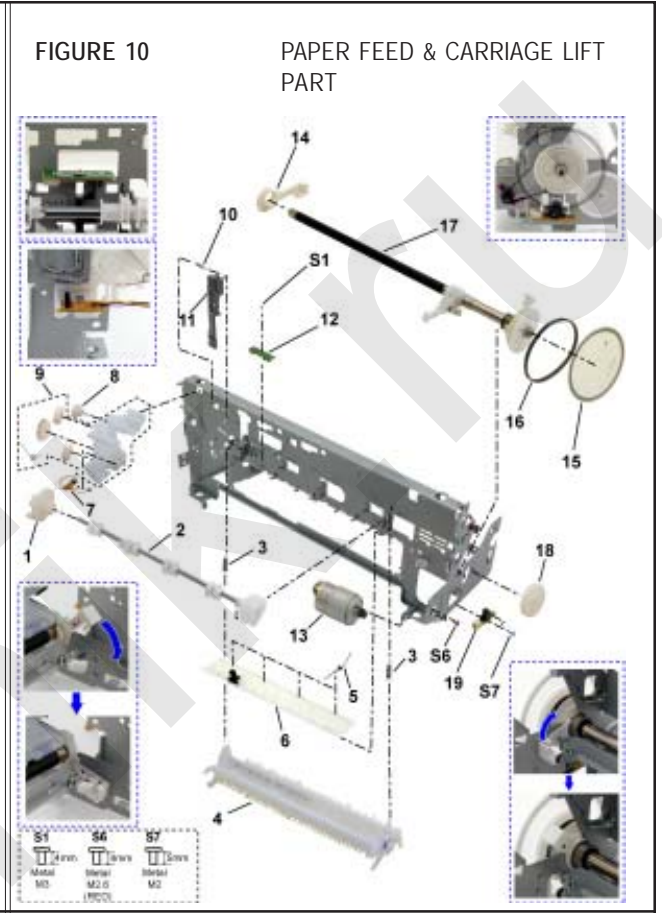


NUM.	PART #	DESCRIPTION
------	--------	-------------

7 - 1	QC1-6394-000	FILM, TIMING SLIT STRIP
2	QC1-6201-000	SPRING, LEAF
3	QC1-6207-000	CLIP, SHAFT R
4	QC1-6306-000	RING, CARRIAGE SHAFT
5	QC1-6209-000	CAM, CARRIAGE SHAFT R
6	QC1-6206-000	CLIP, SHAFT L
7	QK1-1500-000	MOTOR, CARRIAGE
8	QC1-6208-000	CAM, CARRIAGE SHAFT L
9	QM2-2207-000	CARRIAGE UNIT
10	QC1-6203-000	SHAFT, CARRIAGE
11	QL2-0938-000	IDLER PULLEY ASS'Y
12	QC1-6202-000	SPRING, COIL

NUM.	PART #	DESCRIPTION
------	--------	-------------

8 - 1	QC1-6272-000	ABSORBER, INK
2	QM2-2202-000	PLATEN UNIT



NUM.	PART #	DESCRIPTION
9 - 1	QK1-1636-000	CABLE, PANEL
2	QM2-2208-000	PURGE UNIT
3	QC1-6458-000	TUBE, WASTE INK
4	QC1-6460-000	HOLDER, WASTE INK TUBE

NUM.	PART #	DESCRIPTION
10 - 1	QC1-6216-000	CAM, SWING ARM LOCK
2	QL2-0936-000	PR LIFT SHAFT ASS'Y
3	QC1-6232-000	SPRING, TENSION (2)
4	QM2-2204-000	PAPER GUIDE UNIT
5	QC1-6226-000	SPRING, TORSION (4)
6	QM2-2201-000	PRESSURE ROLLER ASS'Y
7	QM2-2678-000	CARRIAGE LIFT SENSOR UNIT
8	QC1-6213-000	GEAR, INPUT CARRIAGE LIFT
9	QM2-2232-000	CARRIAGE LIFT GEAR BASE UNIT
10	QC1-6471-000	SPRING, TENSION
11	QC1-6217-000	LEVER, SWING ARM LOCK
12	QM2-2677-000	PE SENSOR UNIT
13	QK1-1502-000	MOTOR, PAPER FEED
14	QC1-6227-000	BUSHING
15	QC1-6229-000	FILM, TIMING SLIT DISK
16	QC1-6230-000	BELT, PAPER FEED
17	QL2-0925-000	FEED ROLLER ASS'Y
18	QC1-6225-000	GEAR, EJECT
19	QM2-2683-000	TIMING SENSOR UNIT