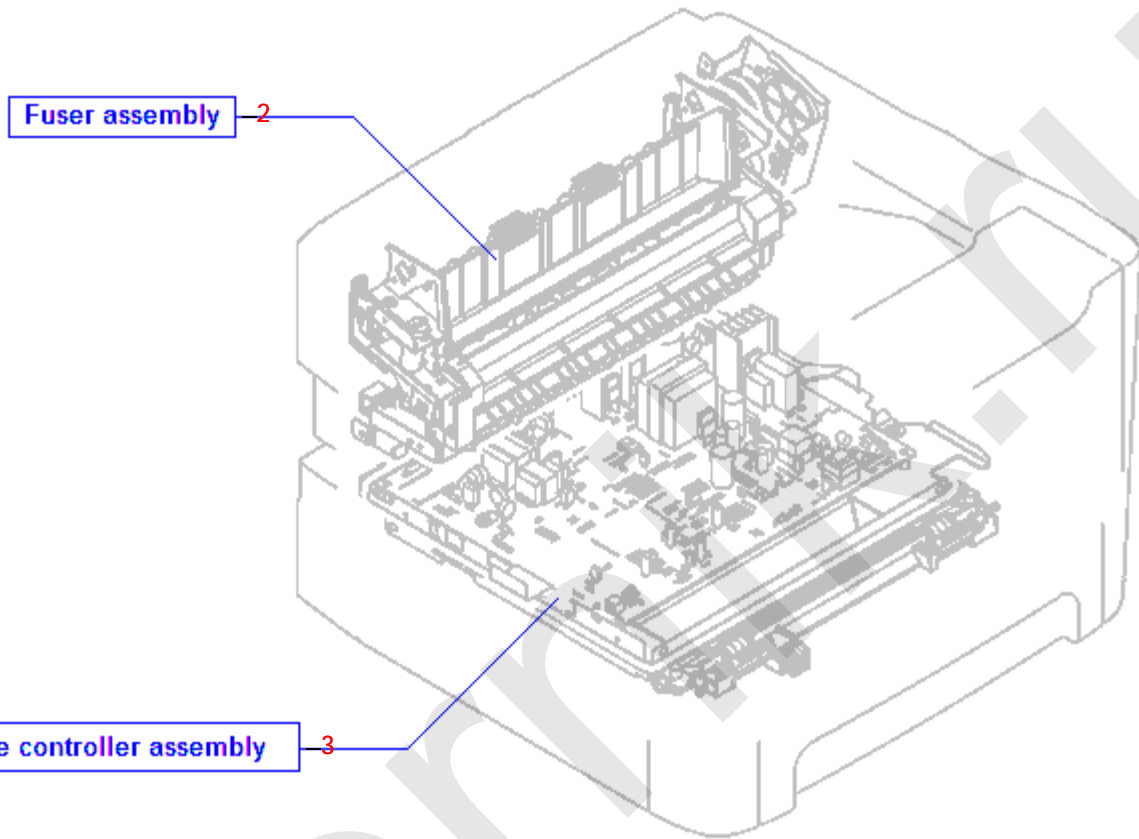


Assembly Locations (1 of 2)

REF	PartNumber	Description
2	RM1-1305-000CN	Top output gear assembly - Includes three white plastic gears mounted on a support bracket - Drives the top output bin roller
3	RM1-4253-000CN	Main drive assembly
4	RM1-4251-000CN	250-sheet paper input tray 2 cassette - Pull out cassette that paper is loaded into

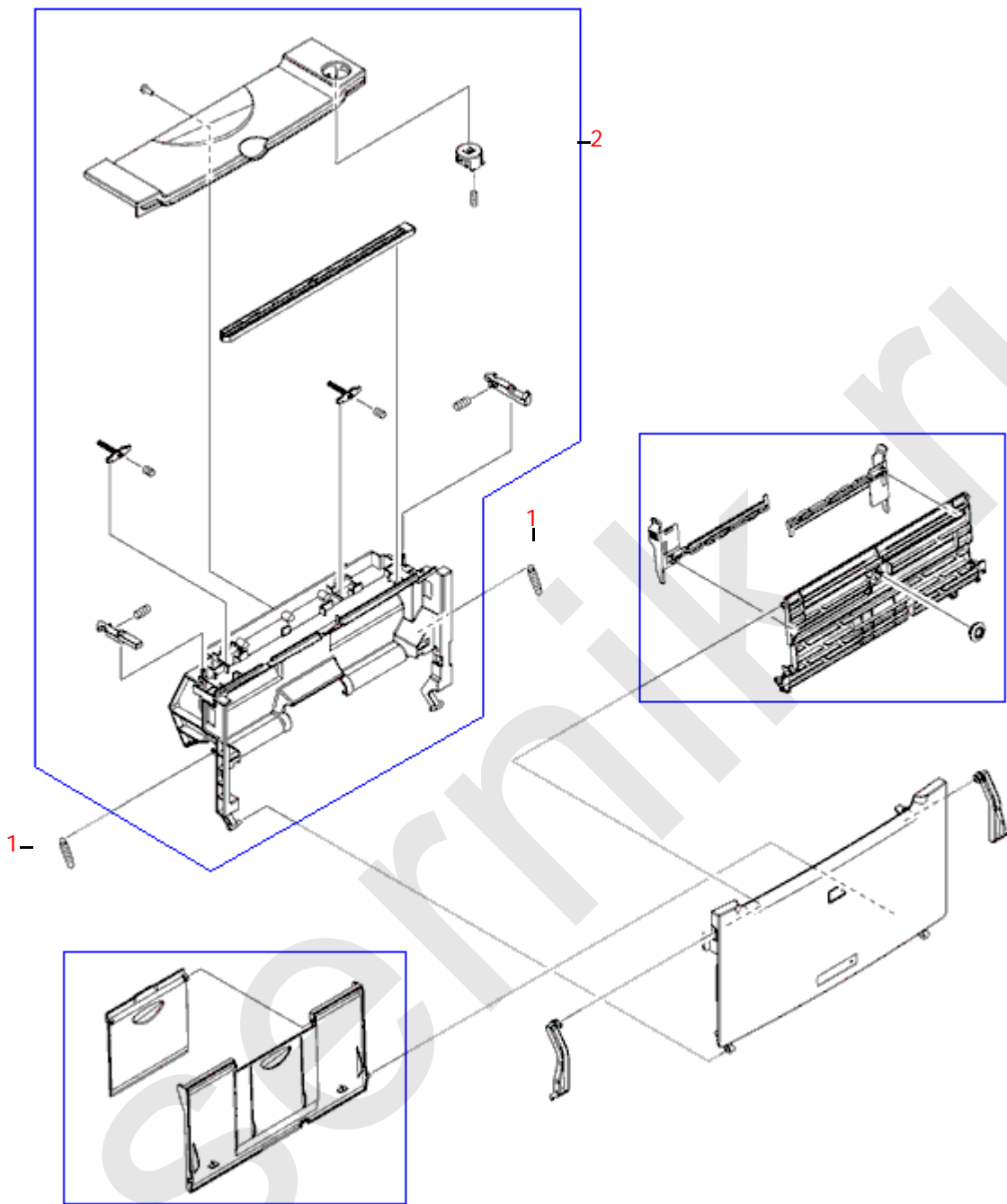
Assembly Locations (2 of 2)



Assembly locations (2 of 2)

REF	PartNumber	Description
2	RM1-4247-000CN	Fusing Assembly - Bonds toner to paper with heat - For 110-127VAC (+/- 10%) operation
	RM1-4247-020CN	Fusing assembly - For 110-127 VAC (+/- 10%) operation - Bonds toner to paper with heat
	RM1-4248-020CN	Fusing Assembly - For 220-240 VAC - Bonds toner to paper with heat
	RM1-4248-000CN	Fusing Assembly - For 220/240 VAC - Bonds toner to paper with heat
3	RM1-4273-000CN	Engine controller board (ECU) - 110VAC - For Laserjet P2010 printer series
	RM1-4274-000CN	Engine controller board (ECU) - 220VAC - For the Laserjet P2010 printer series

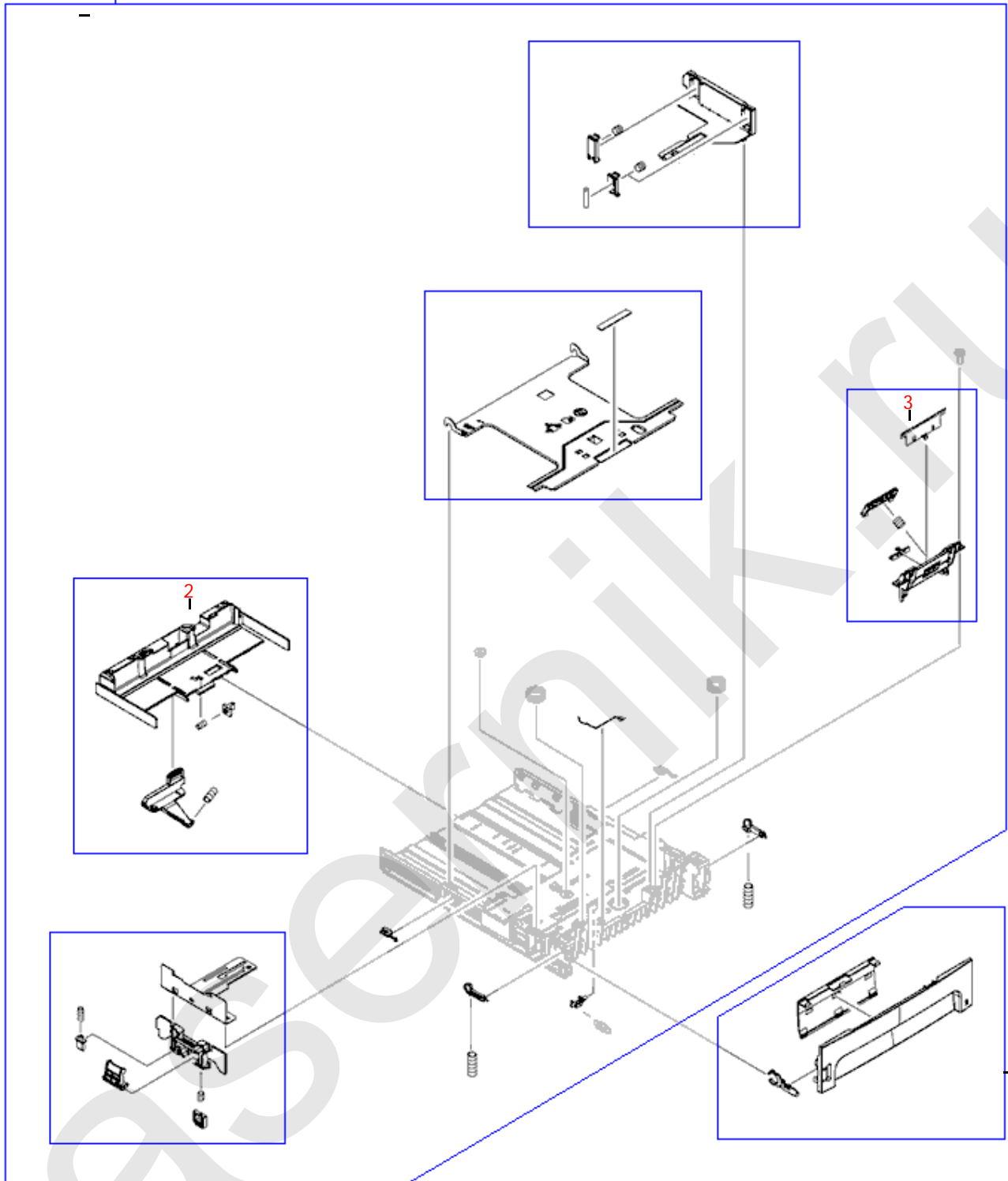
3-  Cartridge-door assembly



Cartridge-door assembly

REF	PartNumber	Description
1	RU5-2894-000CN	Compression spring - Located on the separation pad base of the multipurpose tray
2	RM1-4267-000CN	Inner cover assembly of cartridge door
3	RM1-4266-000CN	Cartridge door assembly - Complete assembly

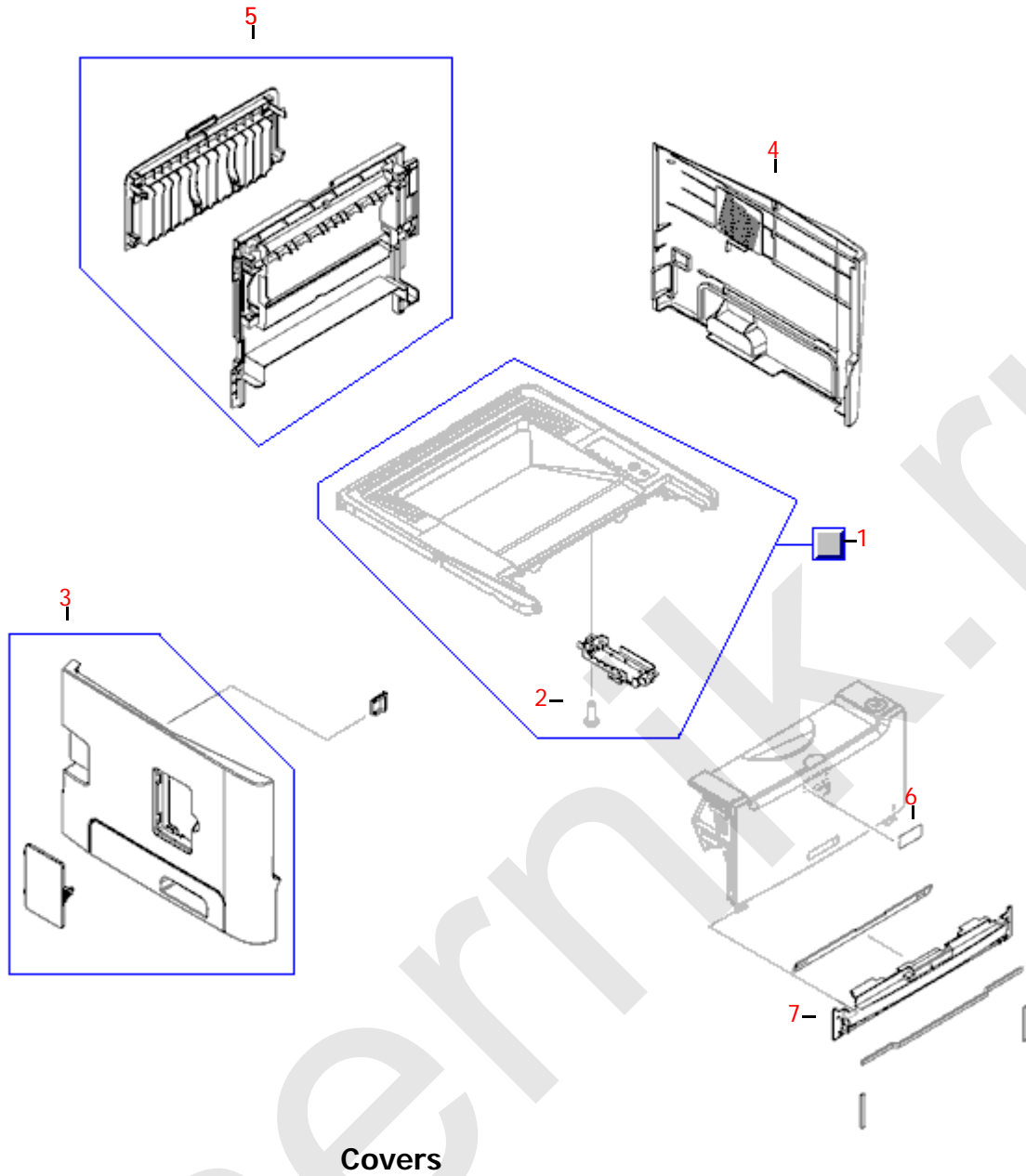
1  Cassette assembly



Cassette assembly

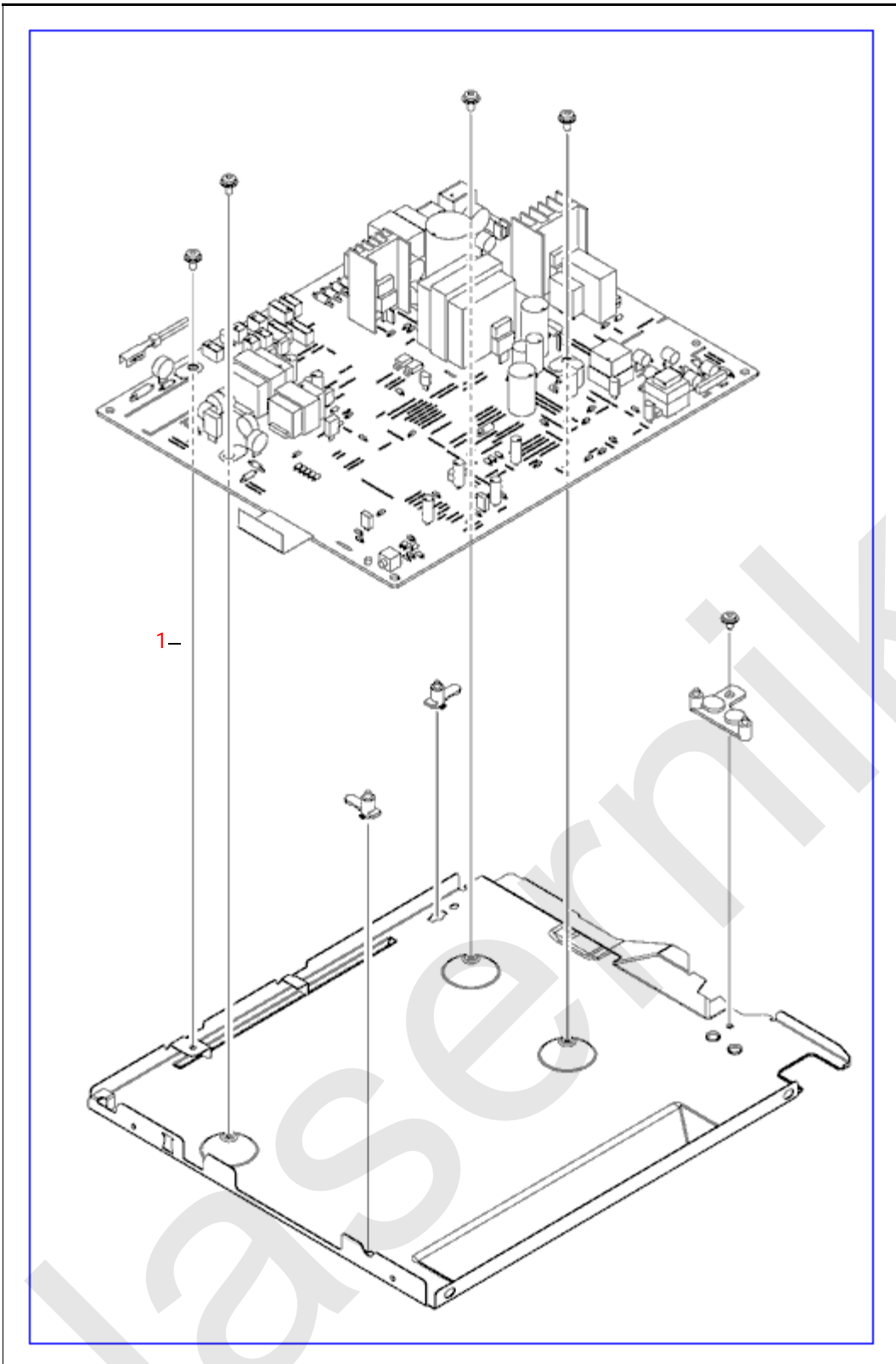
REF	PartNumber	Description
1	RM1-4251-000CN	250-sheet paper input tray 2 cassette - Pull out cassette that paper is loaded into
2	RM1-1295-000CN RM1-1295-010CN	TRAY 2 REAR ASSY TRAY 2 REAR ASSY
3	RM1-1298-000CN	Separation pad assembly - Includes the pad and spring located on the arm in the holder frame - Mounts toward the front of the tray 2
4	RM1-4252-000CN	TRAY 2 C COVER ASSY

Covers



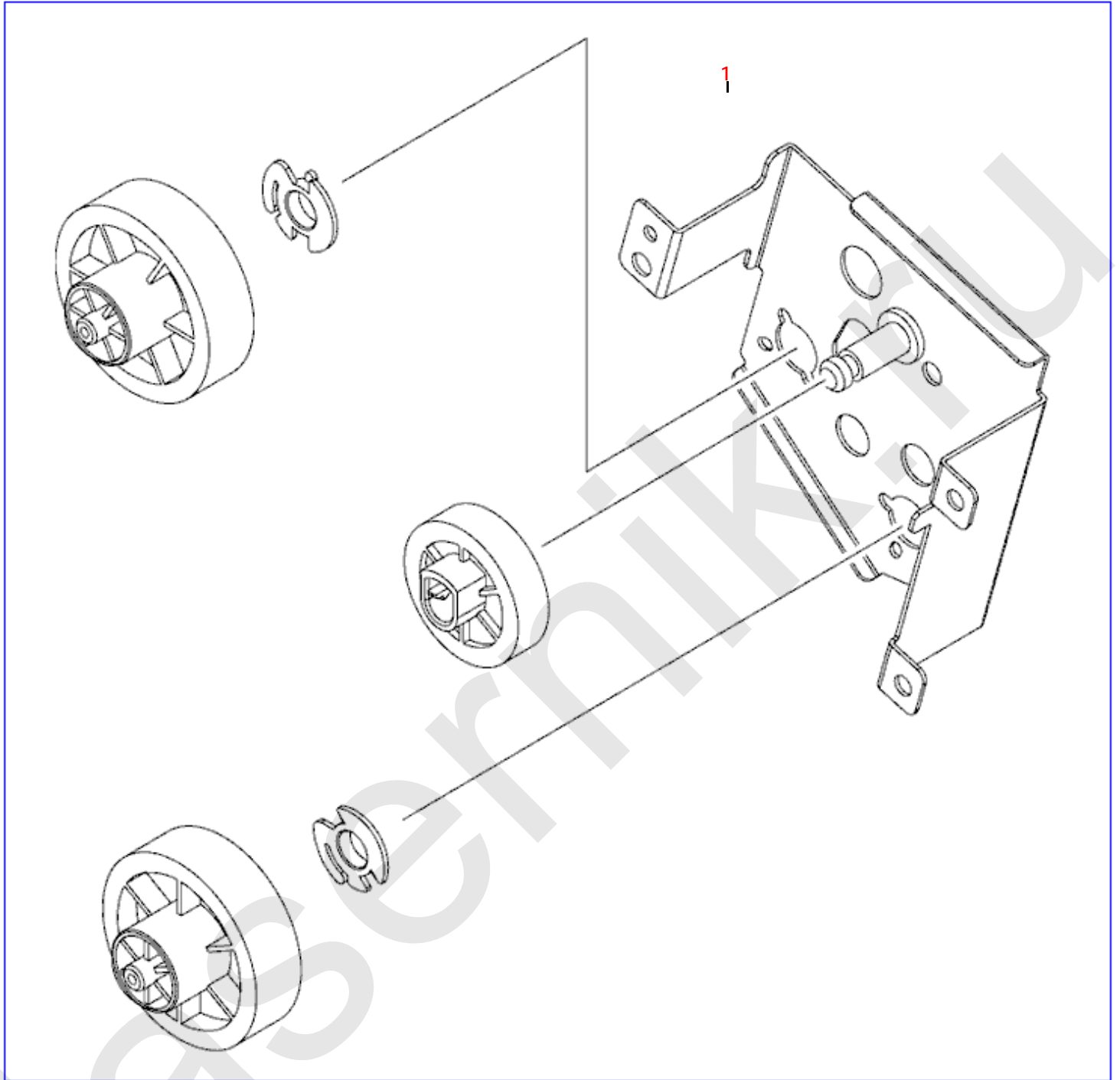
Covers

REF	PartNumber	Description
1	RM1-4272-000CN	Top cover assembly - For the LaserJet P2010 printer series
2	XB4-7300-809CN	M3 self-tapping pan head phillips screw (Black oxide finish) - 8mm long
3	RL1-1529-000CN	Left side cover assembly - For the LaserJet P2010 printer series
4	RL1-1530-000CN	Right side cover assembly - For the LaserJet P2010 printer series
5	RM1-4277-020CN RM1-4272-000CN	Rear cover assembly - For the LaserJet P2010 printer series Top cover assembly - For the LaserJet P2010 printer series
6	RC1-3794-000CN	Caution label - Do not run staples through the engine - Has graphic of a staple with a red circle/line through it
7	RC2-0330-000CN	Front cover - Plastic cover located at the bottom of the cartridge door assembly



ECU assembly

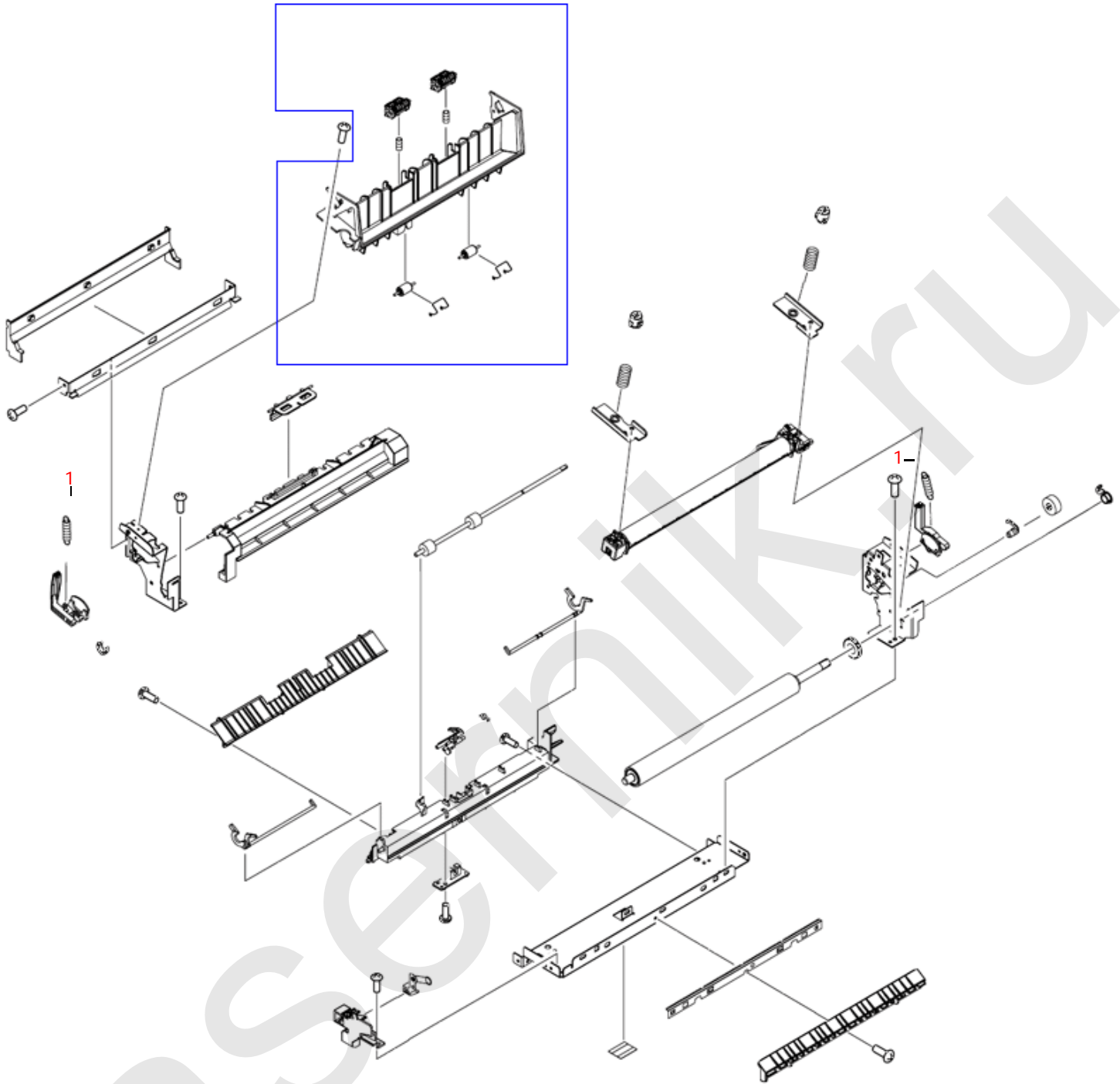
REF	PartNumber	Description
1	RM1-4273-000CN	Engine controller board (ECU) - 110VAC - For Laserjet P2010 printer series
	RM1-4274-000CN	Engine controller board (ECU) - 220VAC - For the Laserjet P2010 printer series



Face-down gear assembly

REF	PartNumber	Description
1	RM1-1305-000CN	Top output gear assembly - Includes three white plastic gears mounted on a support bracket - Drives the top output bin roller

2-  Fuser Assembly

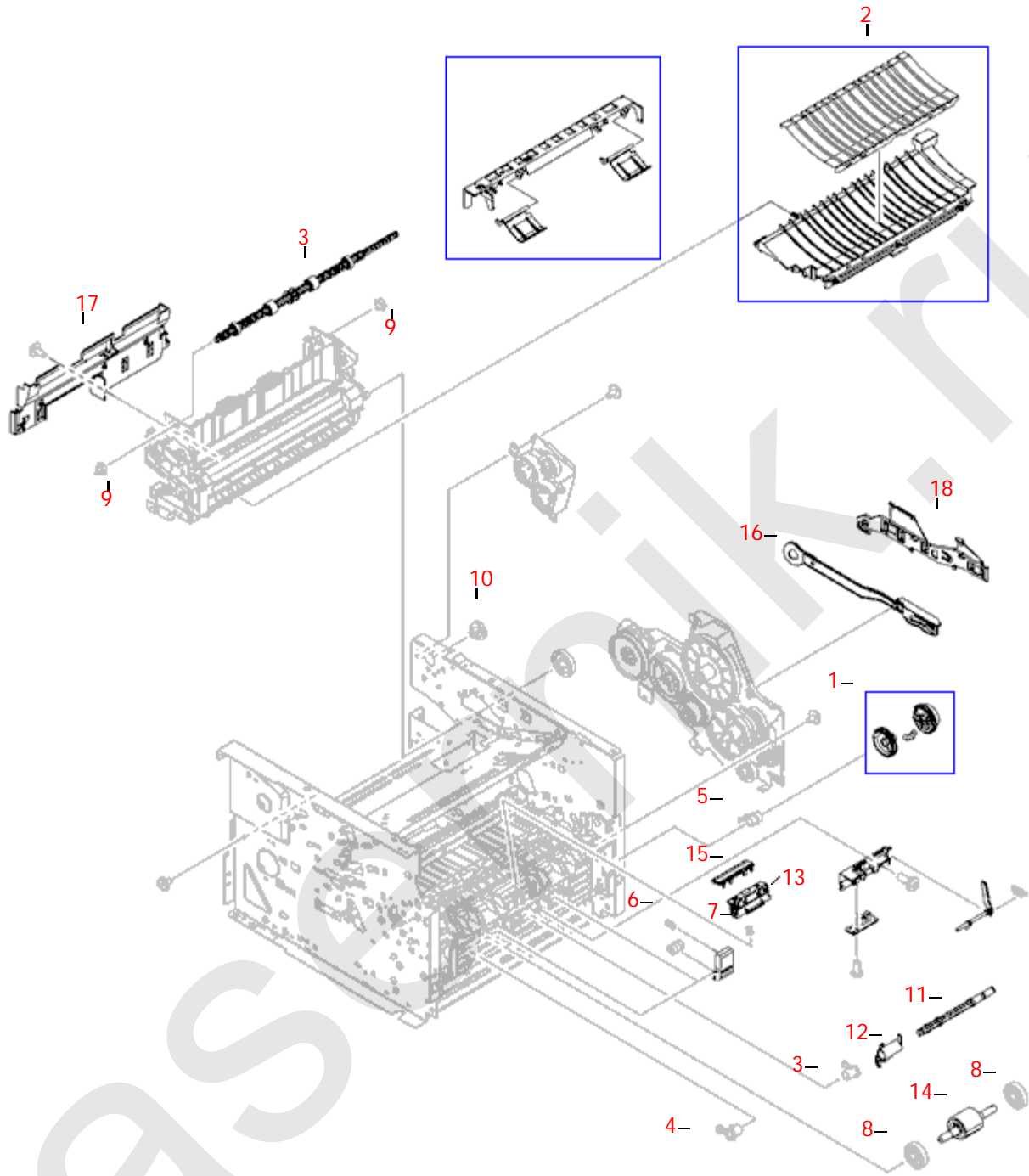


Fuser assembly

REF	PartNumber	Description
1	RA0-1090-000CN	Tension spring
2	RM1-4247-020CN	Fusing assembly - For 110-127 VAC (+/- 10%) operation - Bonds toner to paper with heat
	RM1-4248-020CN	Fusing Assembly - For 220-240 VAC - Bonds toner to paper with heat
	RM1-4248-000CN	Fusing Assembly - For 220/240 VAC - Bonds toner to paper with heat
	RM1-4247-000CN	Fusing Assembly - Bonds toner to paper with heat - For 110-127VAC (+/- 10%) operation

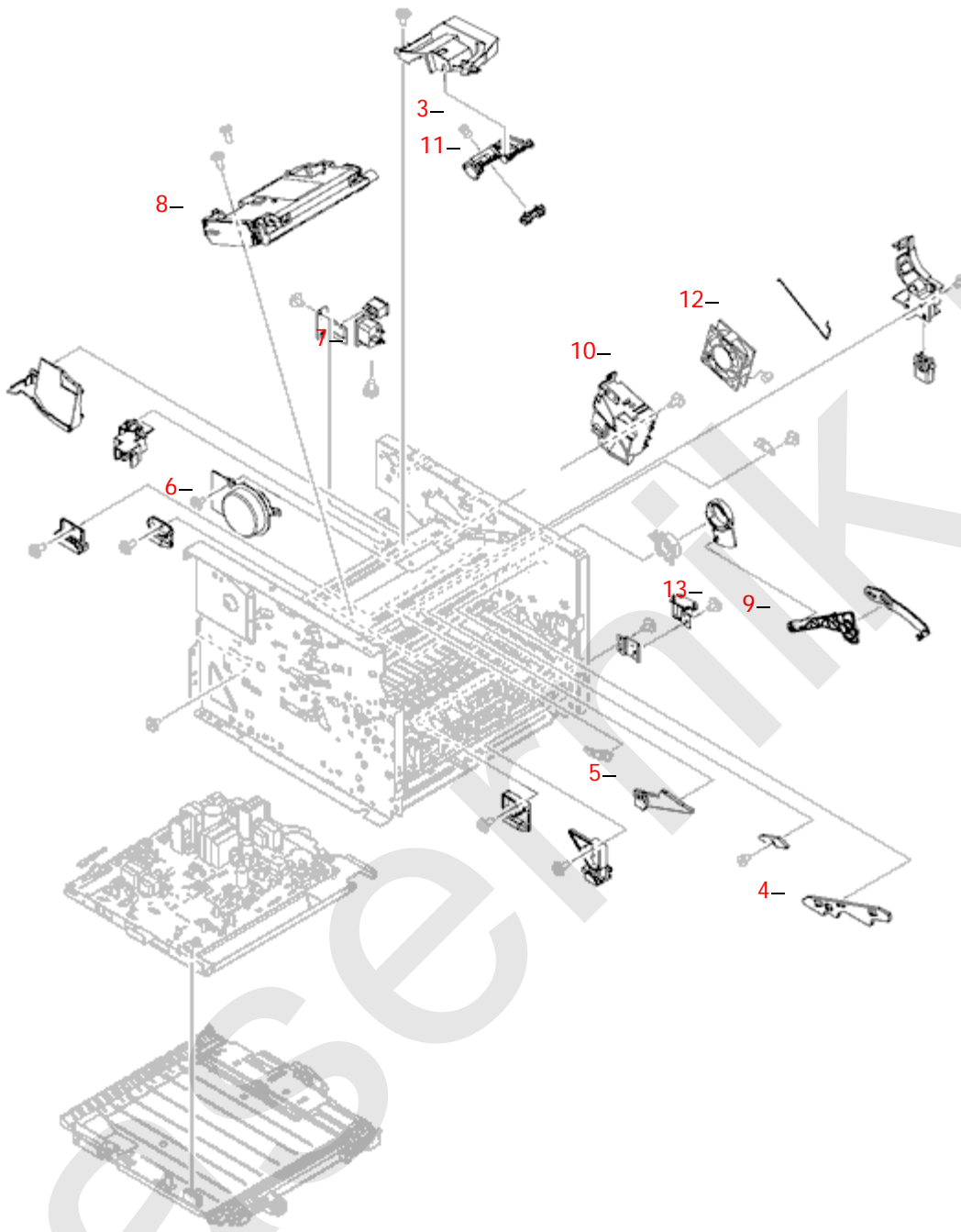
Internal Components (1 of 4)

2 of 4 →



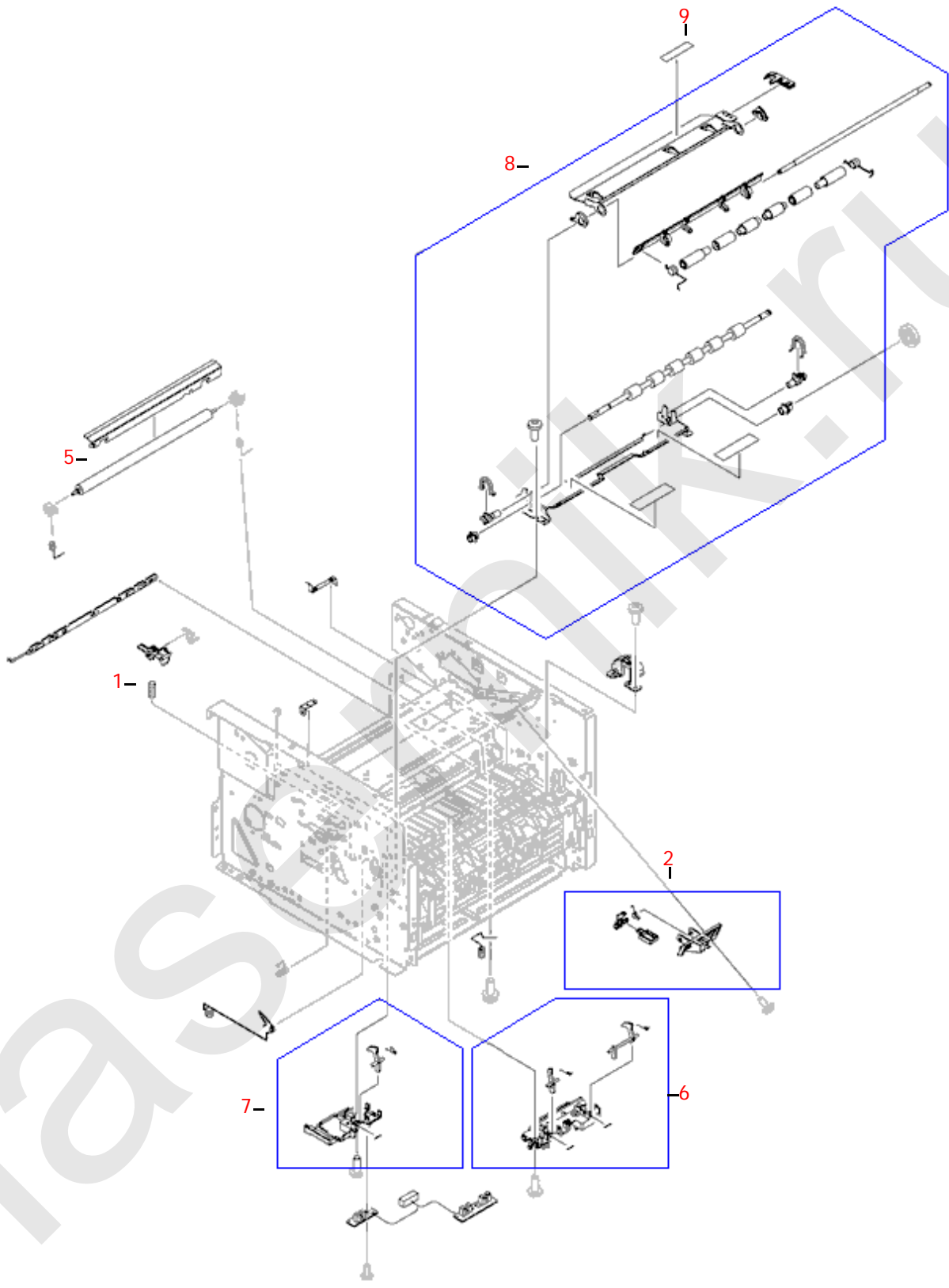
Internal components (1 of 4)

REF	PartNumber	Description
1	RM1-1301-000CN	Double gear assembly - Includes the gear body, inset gear (both with a toothless area) and compression spring - For driving the paper pickup roller
2	RM1-4263-000CN	Paper feed guide assembly
3	RL1-0527-000CN	Top output bin delivery roller assembly - Plastic rod with four rubber wheels (two narrow and two wide)
4	RB2-2896-000CN	Shaft bushing/retainer - Left side pickup roller support bushing
5	RB2-2897-000CN RB2-2897-020CN	Shaft bushing/retainer Shaft bushing/retainer
6	RU5-2323-000CN	Compression spring
7	RU5-2894-000CN	Compression spring - Located on the separation pad base of the multipurpose tray
8	RC1-3470-000CN	Idler roller (plastic) - Free wheeling roller - Two used
9	RC1-3665-000CN	Shaft bushing/retainer - Small plastic cylinder with four nubs that twist - Locks into the side frame
10	RU5-0332-000CN	19-tooth gear (White plastic)
11	RC1-3471-000CN	Drive shaft - Drives pickup roller
12	RC1-3472-000CN	Paper sensor flag - Cylindrical plastic piece with a flag on each end (One senses the paper, the other activates the photo-sensor)
13	RC2-0419-000CN	Multipurpose paper input tray separation pad base - Where the separation pad attaches to
14	RL1-0540-000CN	Paper pickup roller - Includes the D shaped pickup roller spindle with the rubber tire - Does NOT include the idler rollers on each side of the pickup roller
15	RL1-1524-000CN	Multipurpose paper input tray separation pad
16	RC1-3668-000CN	Gear release link
17	RU5-0331-000CN	29-tooth gear (White plastic) - Main drive gear for the fusing assembly - Mounts on the right end of the fusing assembly
18	RC2-1569-000CN	DC cable guide - Attaches to the main drive assembly



Internal components (2 of 4)

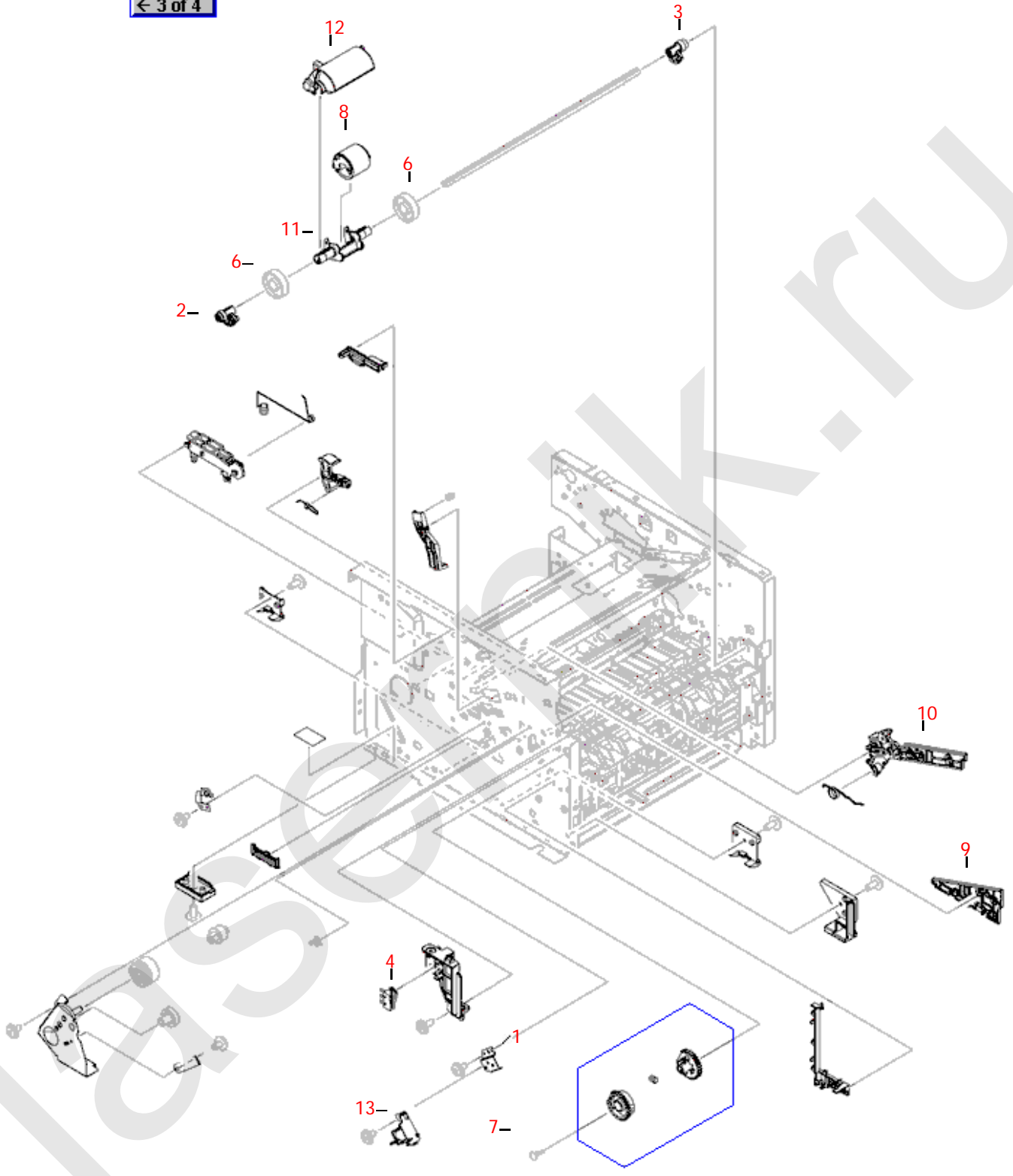
REF	PartNumber	Description
3	RU5-2335-000CN	Compression spring - Applies downward pressure on the memory tag arm to contact the toner cartridge
4	RC2-0346-000CN	Right lower cartridge guide
5	RC2-0426-000CN	Right upper cartridge guide
6	RK2-1567-000CN	DC Motor - Provides power for drive assembly - Located on the right side of printer - Motor (M1)
7	RM1-4169-000CN	PWR INLET ASSY
8	RM1-4262-000CN	Laser/Scanner assembly - Mounts on top of print structure
9	RC2-0405-000CN	Cam arm - Attaches to the drawer connector
10	RC2-0349-000CN	Fan holder - Holds the cooling fan
11	RC2-0392-000CN	Arm tag
12	RK2-1589-000CN	Fan assembly - For the LaserJet P2010 printer series
13	RK2-0424-000CN	24V DC Solenoid (SL1) - Engages the pickup roller gear/clutch assembly for tray 2 (250-sheet tray) - Mounts on the right side plate assembly



REF	PartNumber	Description
1	RU5-2335-000CN	Compression spring - Applies downward pressure on the memory tag arm to contact the toner cartridge
2	RM1-1321-000CN	Shutter link assembly - Spring loaded link which engages the shutter on the laser/scanner assembly (blocking the laser beam) when the toner cartridge access door is opened - Mounts on the left front of the laser/scanner support shelf
5	RM1-4279-000CN	Transfer roller - Transfer charge roller
6	RM1-1283-000CN	Top sensor assembly - Includes the bracket and flags for the top of page detection sensor (PS912), and paper width detection sensor (PS913) - Mounts behind the registration roller assembly
7	RM1-4245-000CN	Paper width sensor assembly
8	RM1-4244-000CN	Registration assembly - Set of rollers before toner cartridge and after feed rollers
9	RC1-3796-000CN	Transfer Guide Open label - Located on registration roller assembly

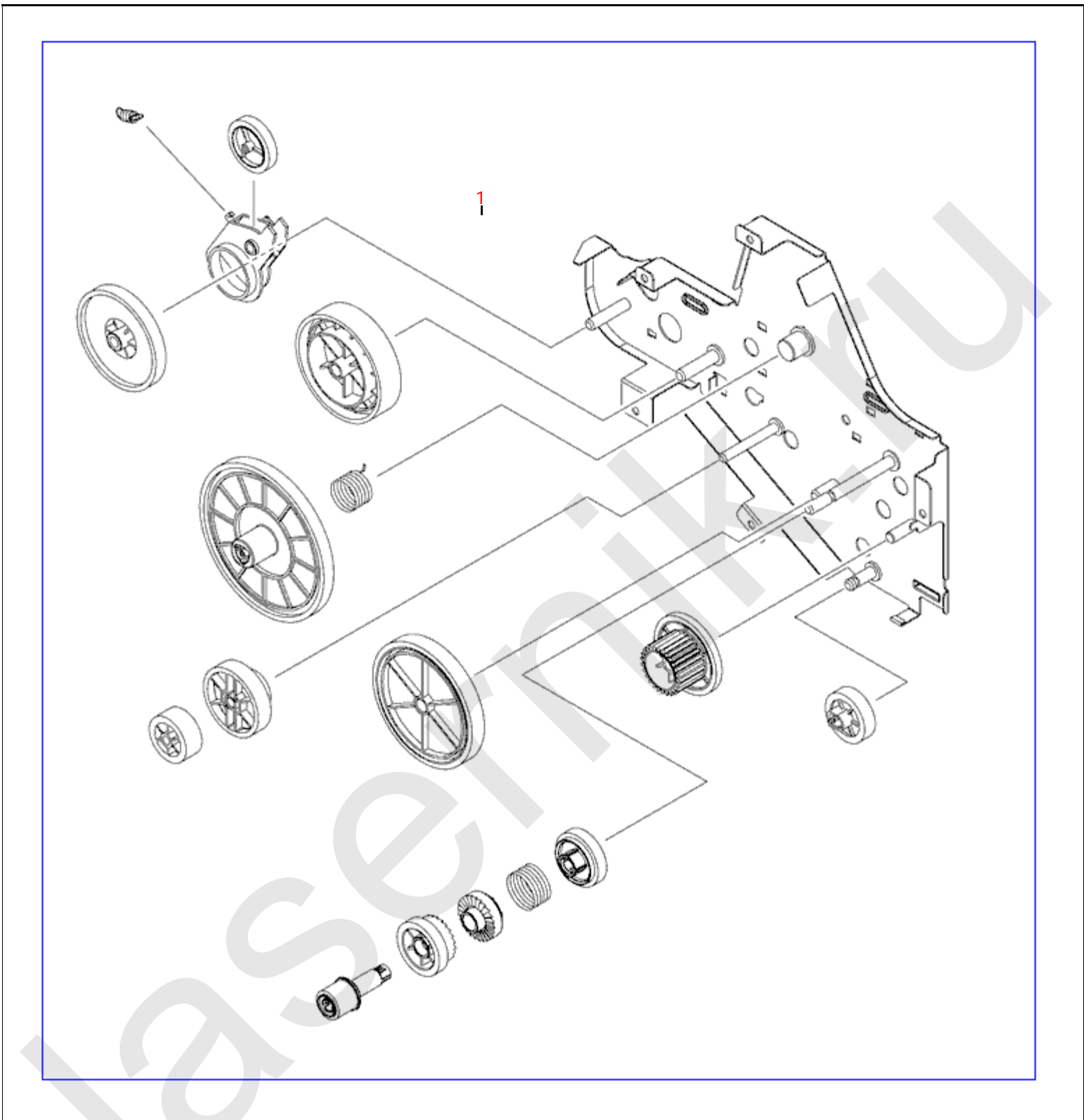
Internal Components (4 of 4)

← 3 of 4



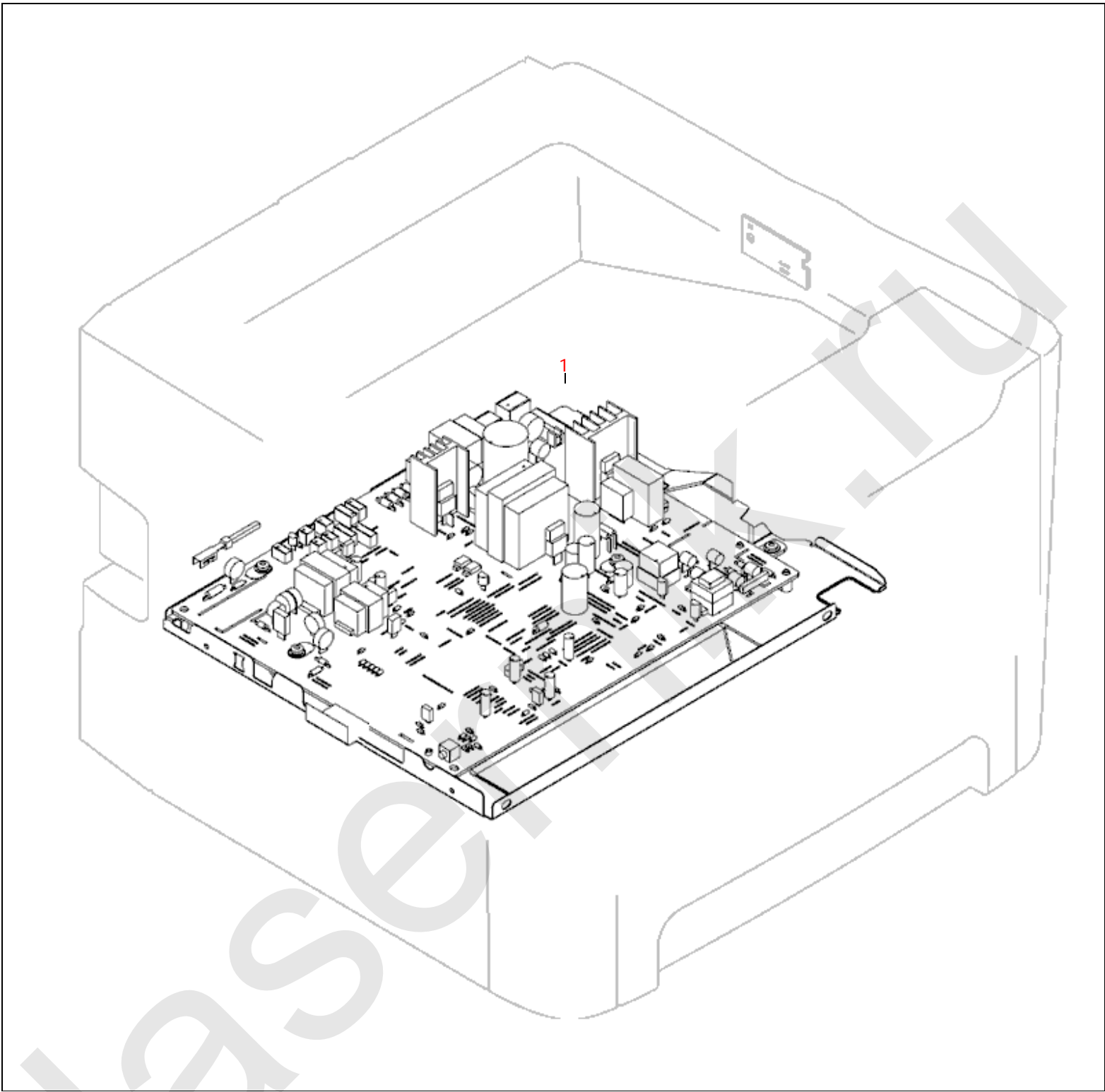
Internal components (4 of 4)

REF	PartNumber	Description
1	RC2-0334-000CN	Solenoid holder/mount - For solenoid SL2 – Used on multipurpose tray
2	RC2-0387-000CN	Multipurpose paper input tray left side cam - Small plastic cam that moves inside the paper pick-up roller holder
3	RC2-0388-000CN	Multipurpose paper input tray right side cam - Small plastic cam that moves inside the paper pick-up roller holder
4	RK2-0534-000CN	Microswitch - Door open switch (SW501)
6	RC1-0950-000CN	M.P. ROLLER
7	RA0-1068-000CN	Continuity cap - Gear retainer for 30 tooth Tray 1 pickup roller shaft
8	RL1-1525-000CN	Multipurpose paper input tray pick-up roller
9	RC2-0339-000CN	Left lower cartridge guide
10	RC2-0425-000CN	Left upper cartridge guide
11	RC2-0386-000CN	Paper pick-up roller holder
12	RC2-0420-000CN	Multipurpose paper input tray pick-up roller cover - Plastic cover that protects the paper pick-up roller
13	RK2-1587-000CN	Multipurpose paper input tray solenoid (SL2)



Main drive assembly

REF	PartNumber	Description
1	RM1-4253-000CN	Main drive assembly



PCB assembly locations

REF	PartNumber	Description
1	RM1-4273-000CN	Engine controller board (ECU) - 110VAC - For Laserjet P2010 printer series
	RM1-4274-000CN	Engine controller board (ECU) - 220VAC - For the Laserjet P2010 printer series