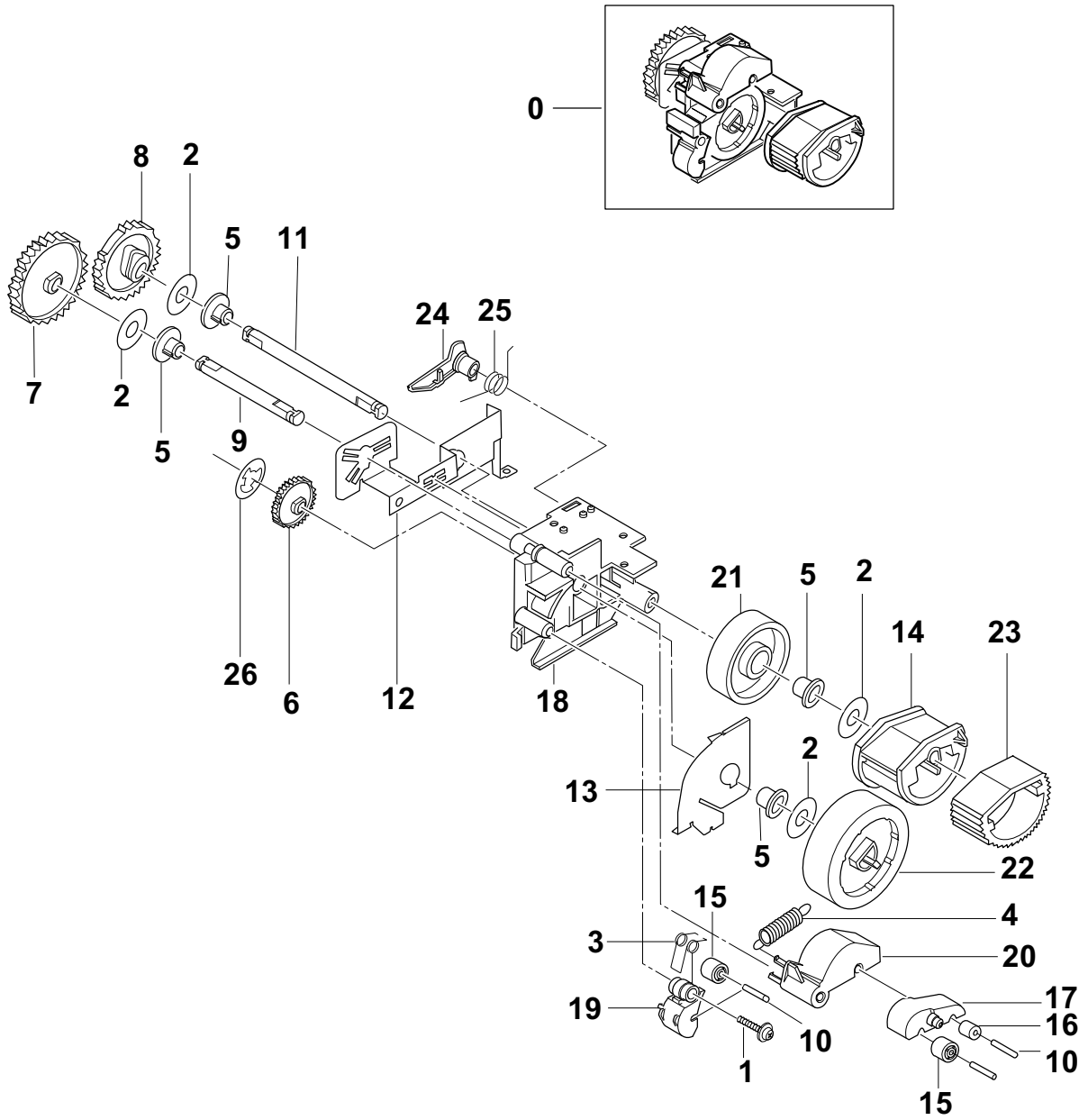


< Drive Assembly Parts List >

SA. : Service Available

| NO | DESCRIPTION | SEC CODE | Q'TY | SA | REMARK |
|----|-------------------|-------------|------|----|--------|
| 0 | ELA UNIT-MOTOR 14 | JC96-02058A | 1 | O | |
| 1 | MOTOR-STEP | JC31-00010A | 1 | O | |
| 2 | IPR-BRKT GEAR | * | 1 | X | |
| 3 | IPR-BRKT MOTOR | * | 1 | X | |
| 4 | GEAR-RDCN 145-70 | * | 1 | X | |
| 5 | GEAR-RDCN 90-24 | * | 1 | X | |
| 6 | GEAR-OPC DRV 135 | * | 1 | X | |
| 7 | GEAR-OPC DRIVE2 | * | 1 | X | |
| 8 | GEAR-FEED DRV | * | 1 | X | |
| 9 | GEAR-CLUTCH 56 | * | 1 | X | |
| 10 | GEAR-FUSER DRV23 | * | 1 | X | |
| 11 | PMO-CLUTCH LEVER | * | 2 | X | |
| 12 | SPRING-CLUTCH | * | 2 | X | |
| 13 | WASHER-PLAIN | * | 1 | X | |
| 14 | MPR-POLYWASHER 8 | * | 1 | X | |
| 15 | WASHER-PLAIN | * | 1 | X | |
| 16 | SCREW-MACHINE | * | 5 | X | |

5-8 Pick-Up Assembly Exploded view



< Pick-Up Assembly Parts List >

SA. : Service Available

| NO | DESCRIPTION | SEC CODE | Q'TY | SA | REMARK |
|----|-----------------------|-------------|------|----|--------|
| 0 | MEA UNIT-FEEDER | JC97-01324A | 1 | O | |
| 1 | SCREW-TAPTITE | * | 1 | X | |
| 2 | WASHER-PLAIN | * | 4 | X | |
| 3 | SPRING-FEED(1) | * | 1 | X | |
| 4 | SPRING-FEED(2) | * | 1 | X | |
| 5 | BEARING-PICK UP | * | 4 | X | |
| 6 | GEAR-P/UP DRIVE | * | 1 | X | |
| 7 | GEAR-FEED | * | 1 | X | |
| 8 | GEAR-PICK UP(12) | * | 1 | X | |
| 9 | IPR-SHAFT FEED | * | 1 | X | |
| 10 | IPR-SHAFT FEED IDLER | * | 3 | X | |
| 11 | IPR-SHAFT PICK UP | * | 1 | X | |
| 12 | GROUND_FEED | * | 1 | X | |
| 13 | IPR-GUIDE_FEED | * | 1 | X | |
| 14 | PMO-HOUSING P/UP | * | 1 | X | |
| 15 | PMO-ROLLER FEED L | * | 2 | X | |
| 16 | PMO-ROLLER FEED S | * | 1 | X | |
| 17 | PMO-SUB HOLDER FEED | * | 1 | X | |
| 18 | PMO-FRAME_FEED | * | 1 | X | |
| 19 | PMO-HOLDER FEED(1) | * | 1 | X | |
| 20 | PMO-HOLDER FEED(2) | * | 1 | X | |
| 21 | PMO-IDLE PICK_UP | * | 1 | X | |
| 22 | PMO-ROLL_FEED, DRV 12 | * | 1 | X | |
| 23 | RMO-RUBBER PICK_UP | * | 1 | X | |
| 24 | RMO-LEVER PICK_UP | * | 1 | X | |
| 25 | SPRING PICK UP(12) | * | 1 | X | |
| 26 | RING-CS | * | 1 | X | |

5-9 Cassette Unit Exploded view (270)

