

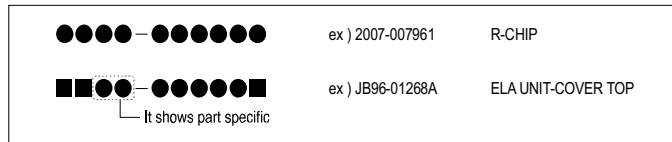
## 5. Exploded Views and Parts List

- Deal drawings and service parts are declared for the items with higher rate of inferiority and replaceable in the level of service description only.
- If inferiority occurs, you can replace the parts by the unit declared in deal drawings and service items.

### Way to observe Part Code & Description

Part code and Description is quoted and controlled by determined standard. Refer to this determined standard, it will help with ordering Part.

- There are two kinds of Part code inscription type.



( ● : figure, ■ : character (alphabet) )

**Type 1** : Controlled by Company : It can be commonly used for all kinds of product SEC produce. Mostly, electronics Parts.

**Type 2** : Controlled by Division : It is used or one produce. Mostly, Mostly, mechanical Parts.

- **A/S privately used part** : It is only used for A/S .

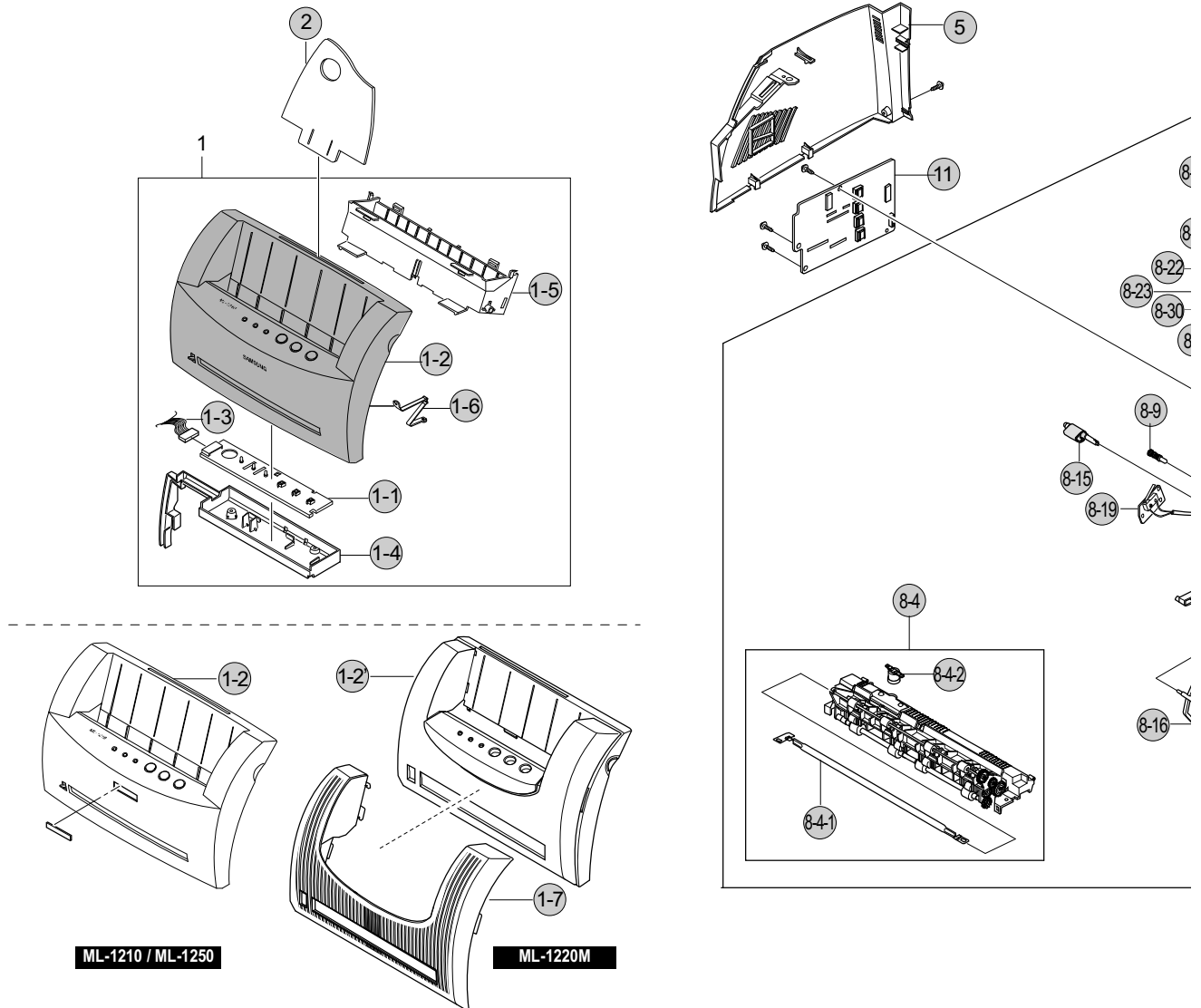
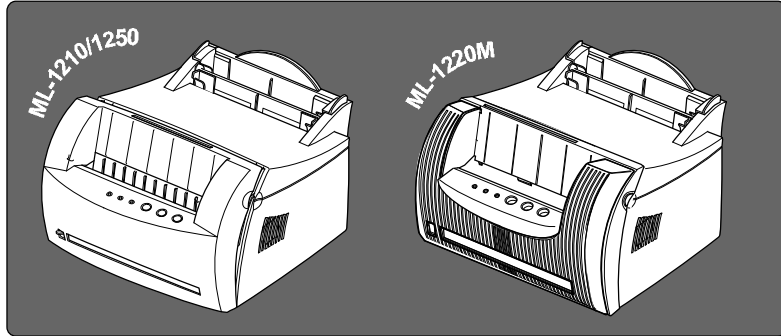
- **Ass'y part** : Assembled by more than 2 Parts. If necessary part is not A/S Part, Ass'y part including necessary par can be used. It is shown in the diagram and drawing of SVC manual.

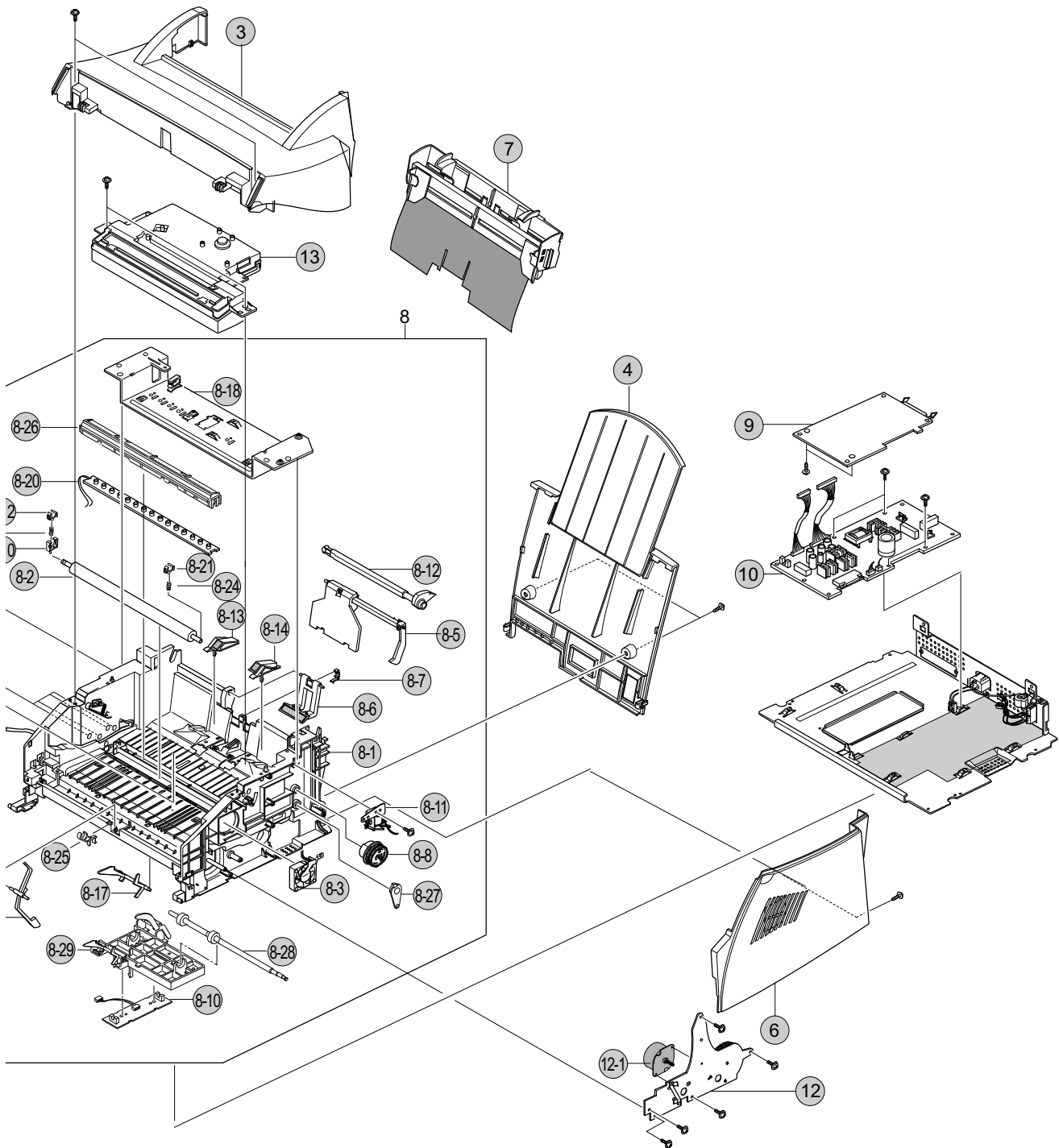
- Ass'y part and A/S privately used Part is distinguished by part Code and Description. The are inscription type 2. It is recognized by Part character and front side of description.

| DIVISION    | PART CODE                   | DESCRIPTION                         |
|-------------|-----------------------------|-------------------------------------|
| A/S Private | **81-*****<br>(JB81-00039A) | AS-*****<br>(AS-USE)                |
| ASS'Y Part  | **75-*****<br>(JB75-00068A) | MEC-*****<br>(MEC-CHUTE)            |
| ASS'Y Part  | **92-*****<br>(JB92-01131A) | PBA *****<br>(PBA MAIN-CONTROLLER)  |
| ASS'Y Part  | **97-*****<br>(JB97-01089A) | MEA *****<br>(MEA UNIT-PULLEY IDLE) |

## 5-1 Exploded Views and Parts List

● : Service Passibility Parts





## Exploded Views and Parts List

SA : Service Available  
 O : Service available X : Service not available

| No.   | Description               | SEC.Code             | Q'ty | SA | Remark        |
|-------|---------------------------|----------------------|------|----|---------------|
| 1     | ELA UNIT-CVR FRONT        | *                    | 1    | X  |               |
| 1-1   | PBA SUB-LED PANEL         | JC92-01280A          | 1    | O  |               |
| 1-2   | PMO-COVER FRONT           | refer to the table ⇒ | 1    | O  |               |
| 1-3   | CBF HARNESS-FRONT PANEL   | JC39-00112C          | 1    | O  |               |
| 1-4   | PMO-COVER PCB             | JC72-00678A          | 1    | O  |               |
| 1-5   | PMO-GUIDE STACKER         | JC72-00511A          | 1    | O  |               |
| 1-6   | PMO-STOPPER               | JC72-00519A          | 1    | O  |               |
| 1-7   | PMO-COVER FRONT, SUB IMAC | JC72-00843A          | 1    | O  | ML-1220M ONLY |
| 2     | PMO-STACKER RX            | JC72-00302A          | 1    | O  | ML-1210,1250  |
|       | PMO-STACKER RX            | JC72-00302C          | 1    | O  | ML-1220M      |
| 3     | PMO-COVER TOP             | JC72-00522A          | 1    | O  |               |
| 4     | PMO-COVER REAR            | JC75-00094A          | 1    | O  |               |
| 5     | PMO-COVER SIDE(L)         | JC72-00523A          | 1    | O  |               |
| 6     | PMO-COVER SIDE(R)         | JC72-00524A          | 1    | O  |               |
| 7     | MEC-TRAY(P)               | JC75-00099A          | 1    | O  | ML-1210,1250  |
|       | MEC-TRAY(P)               | JC75-00099D          | 1    | O  | ML-1220M      |
| 8     | ELA UNIT-FR LOWER         | *                    | 1    | X  |               |
| 8-1   | PMO-FRAME LOWER           | JC72-00533A          | 1    | O  |               |
| 8-2   | MEC-ROLLER_TRANSFER       | JC75-00129A          | 1    | O  |               |
| 8-3   | FAN-DC                    | 3103-001085          | 1    | O  |               |
| 8-4   | ELA HOU-FUSER ASSY        | JC81-00424A          | 1    | O  | 220V          |
|       | ELA HOU-FUSER ASSY        | JC81-00423A          | 1    | O  | 110V          |
| 8-4-1 | LAMP-HALOGEN              | 4713-001136          | 1    | O  | 220V          |
|       | LAMP-HALOGEN              | 4713-001135          | 1    | O  | 110V          |
| 8-4-2 | THERMOSTAT                | 4712-000001          | 1    | O  | 125 / 250V    |
| 8-5   | MEC KNOCKUP-ASSY          | JC75-00053A          | 1    | O  |               |
| 8-6   | MEC UNIT HOLDER PAD       | JC97-01486A          | 1    | O  |               |
| 8-7   | PMO-CAP_PAD               | JC72-00124A          | 1    | O  |               |
| 8-8   | MEC GEAR-PICK UP          | JC75-00056A          | 1    | O  |               |
| 8-9   | MEC-TERMINAL              | JC75-00049A          | 5    | O  |               |
| 8-10  | PBA MAIN-SENSOR           | JC92-01197A          | 1    | O  |               |
| 8-11  | SOLENOID                  | JC33-00002B          | 1    | O  |               |
| 8-12  | MEC-CAM PICK UP           | JC75-00072A          | 1    | O  |               |
| 8-13  | MEC-SIDE PAD(L)           | JC75-00050B          | 1    | O  |               |
| 8-14  | MEC-SIDE PAD(R)           | JC75-00051B          | 1    | O  |               |
| 8-15  | MEA ETC-ROLLER PICK UP    | JC97-01308A          | 1    | O  |               |
| 8-16  | PMO-ACTUATOR-EXIT         | JC72-00130A          | 1    | O  |               |
| 8-17  | PMO-ACTUATOR-FEED         | JC72-00119A          | 1    | O  |               |
| 8-18  | MEC-PLATE UPPER           | JC75-00111A          | 1    | O  |               |
| 8-19  | ELA HOU-OPEN SENSOR       | JC96-01584A          | 1    | O  |               |
| 8-20  | ELA HOU-PTL ASSY          | JC96-02037A          | 1    | O  |               |

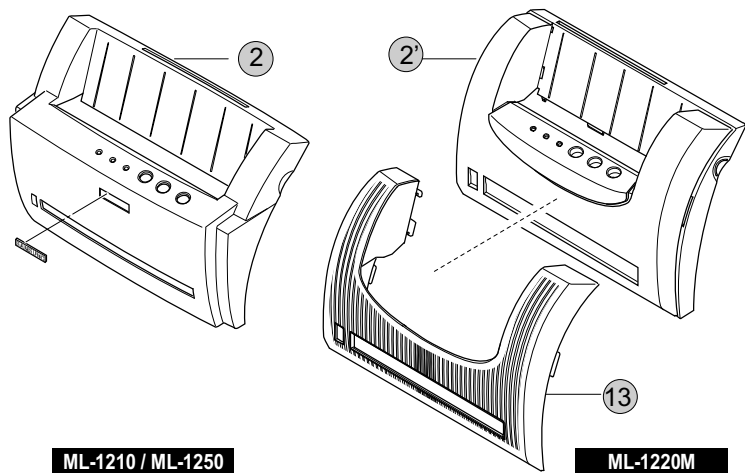
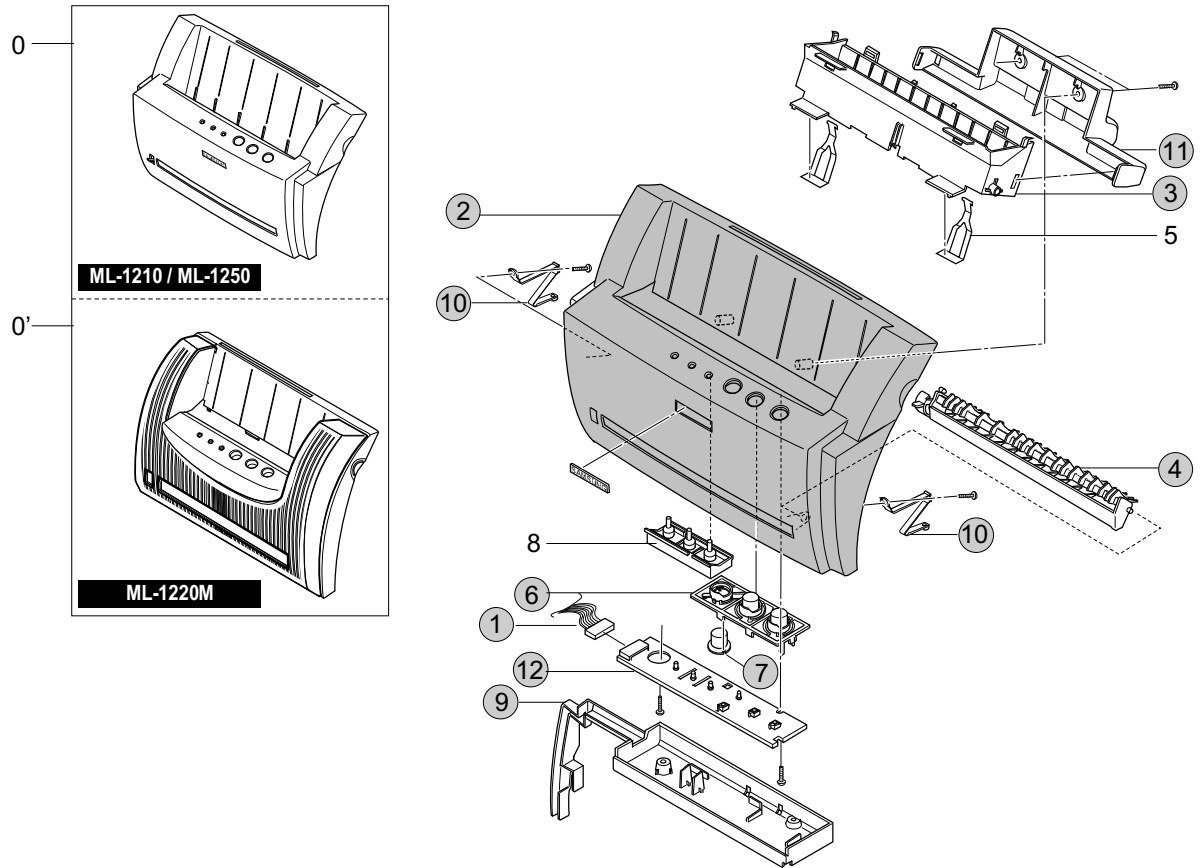
## Exploded Views and Parts List

SA : Service Available  
 O : Service available X : Service not available

| No.  | Description                 | SEC.Code    | Q'ty | SA | Remark        |
|------|-----------------------------|-------------|------|----|---------------|
| 8-21 | PMO-BUSHING_TR(R)           | JC72-00101A | 1    | O  |               |
| 8-22 | PMO-BUSHING_TR(L)           | JC72-00102A | 1    | O  |               |
| 8-23 | SPRING-TR, L                | JC61-00458A | 1    | O  |               |
| 8-24 | SPRING-TR (300)             | JC61-00024A | 1    | O  |               |
| 8-25 | PMO-HOLDER_EXIT             | JC72-00532A | 1    | O  |               |
| 8-26 | PMO-COVER PTL               | JC72-00534A | 1    | O  |               |
| 8-27 | PMO-BUSHING SHAFT           | JC72-40849A | 1    | O  |               |
| 8-28 | MEC-ROLLER FEED             | JC75-00054A | 1    | O  |               |
| 8-29 | EMC-HOLDER FEED             | JC75-00055A | 1    | O  |               |
| 8-30 | PMO-HOLDER TR               | JC72-00100D | 1    | O  |               |
| 9    | PBA MAIN-CONTROLLER GDI     | JC92-01316D | 1    | O  | ML-1210       |
|      | PBA MAIN-CONTROLLER PCL     | JC92-01333A | 1    | O  | ML-1250       |
|      | PBA MAIN-ML-1220M IMAC(SUB) | JC92-01316C | 1    | O  | ML-1220M      |
| 10   | SMPS-ML-1210 V2             | JC44-00026A | 1    | O  | 220V          |
|      | SMPS-ML-1210 V1             | JC44-00025A | 1    | O  | 110V          |
| 11   | SMPS-HVPS                   | JC44-00024A | 1    | O  | ML-1210/1220M |
|      | SMPS-HVPS                   | JC44-00036A | 1    | O  | ML-1250       |
| 12   | ELA UNIT-RX DRIVE           | JC96-02125A | 1    | O  |               |
| 12-1 | MOTOR-STEP 7.5              | JC31-00005B | 1    | O  |               |
| 13   | UNIT-LSU                    | JC59-00015A | 1    | O  | ML-1210/1220M |
|      | UNIT-LSU                    | JC59-00015B | 1    | O  | ML-1250       |

## 5-2 Front Assembly

 : Service Passibility Parts




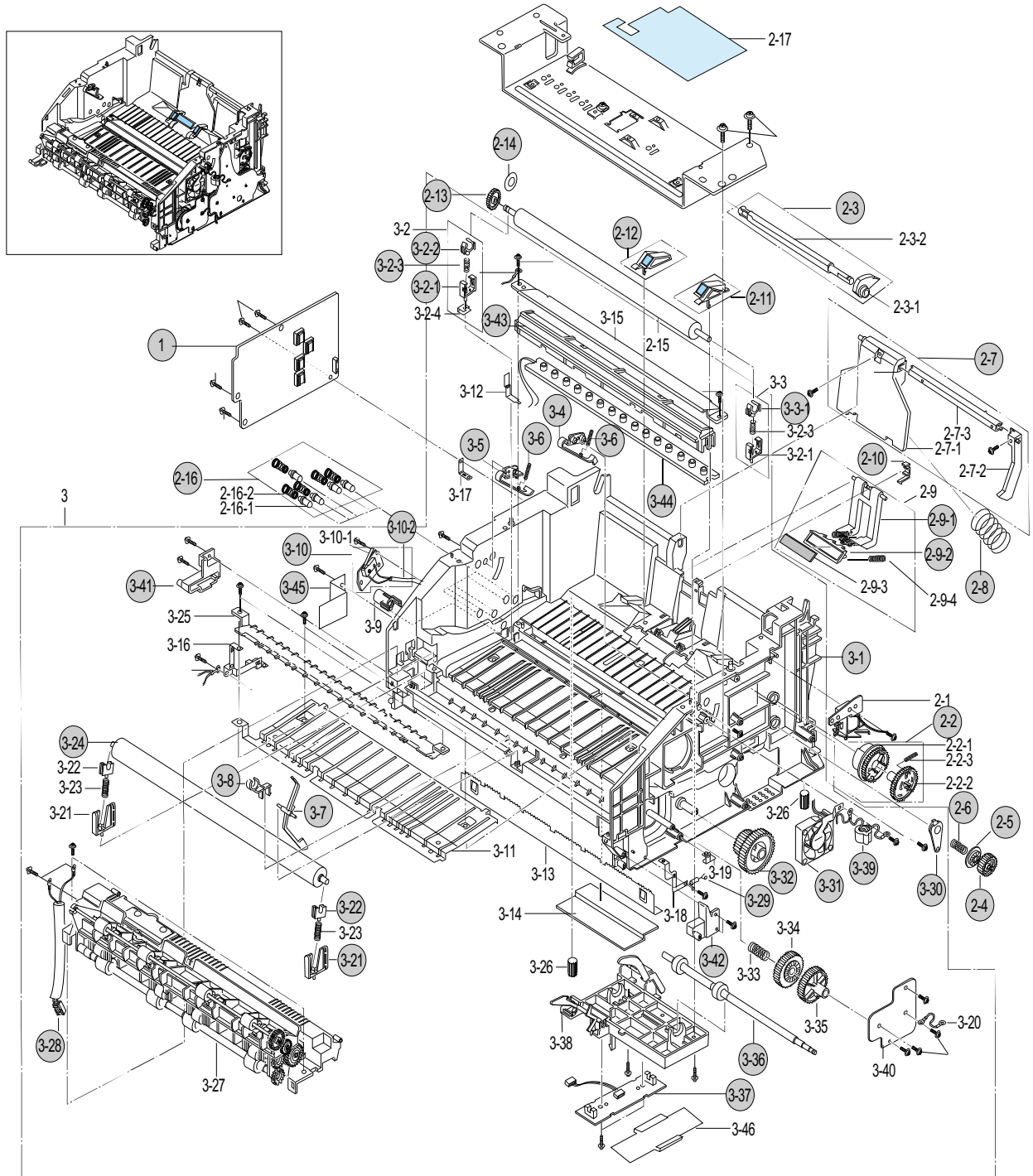
## Front Assembly and Parts List

SA : Service Available  
 O : Service available X : Service not available

| No. | Description               | SEC.Code    | Q'ty | SA | Remark |
|-----|---------------------------|-------------|------|----|--------|
| 0   | ELA HOU-COVER FRONT       | *           | 1    | X  |        |
|     | ELA HOU-COVER FRONT       | *           | 1    | X  |        |
| 1   | CBF-HARNESS-PANEL MAIN    | JC39-00146A | 1    | O  |        |
| 2   | PMO-COVER FRONT           | JC72-00841A | 1    | O  |        |
| 2-1 | PMO-COVER-FRONT, SUB IMAC | JC72-00843A | 1    | O  |        |
| 3   | PMO-GUIDE STACKER         | JC72-00511A | 1    | O  |        |
| 4   | PMO-DOOR FACE UP          | JC72-00513A | 1    | O  |        |
| 5   | PPR-SHEET PAPER GUIDE     | *           | 1    | X  |        |
| 6   | PMO-KEY A                 | JC72-00515A | 1    | O  |        |
| 7   | PMO-KEY B                 | JC72-00516A | 1    | O  |        |
| 8   | PMO-LENS SED              | *           | 1    | X  |        |
| 9   | PMO-COVER PCB             | JC72-00678A | 1    | O  |        |
| 10  | PMO-STOPPER               | JC72-00519A | 1    | O  |        |
| 11  | PMO-BRKT PUSH DEVE        | JC72-00577A | 1    | O  |        |
| 12  | PBA SUB DISP-PANEL        | JC92-01280A | 1    | O  |        |
| 13  | PMO-COVER FRONT, SUB IMAC | JC72-00843A | 1    | O  |        |

### 5-3 Engine/Frame Lower Assembly

 : Service Passibility Parts





## Engine/Frame Lower Assembly and Parts List

SA : Service Available  
 O : Service available X : Service not available

| No.    | Description           | SEC.Code    | Q'ty | SA | Remark |
|--------|-----------------------|-------------|------|----|--------|
| 1      | SMPS-HVPS             | JC44-00024A | 1    | O  |        |
| 2      | ELA HOU-ENGINE ASS'Y  | *           | 1    | X  |        |
| 2-1    | SOLENOID-(APOLLO)     | *           | 1    | X  |        |
| 2-2    | MEC-GEAR PICKUP       | JC75-00056A | 1    | O  |        |
| 2-2-1  | PMO-GEAR_PICKUP,1     | *           | 1    | X  |        |
| 2-2-2  | PMO-GEAR_PICKUP,2     | *           | 1    | X  |        |
| 2-2-3  | SPRING-PICKUP,GEAR    | *           | 1    | X  |        |
| 2-3    | MEC-CAM PICKUP        | JC75-00072A | 1    | O  |        |
| 2-3-1  | PMO-CAM_PICKUP        | *           | 1    | X  |        |
| 2-3-2  | PMO-SHAFT_PICKUP      | *           | 1    | X  |        |
| 2-4    | PMO-GEAR_FEED         | JC72-00115A | 1    | O  |        |
| 2-5    | PMO-CLUTCH_FEED       | JC72-00116A | 1    | O  |        |
| 2-6    | SPRING-CLUTCH         | JC61-00012A | 1    | O  |        |
| 2-7    | MEC-KNOCKUP ASS'Y     | JC75-00053A | 1    | O  |        |
| 2-7-1  | PMO-PLATE_KNOCKUP     | *           | 1    | X  |        |
| 2-7-2  | PMO-CAM-KNOCKUP       | *           | 1    | X  |        |
| 2-7-3  | IPR-BAR_KNOCKUP       | *           | 1    | X  |        |
| 2-8    | SPRING-KNOCK UP       | JC61-00023A | 1    | O  |        |
| 2-9    | MEC-HOLDER PAD        | *           | 1    | X  |        |
| 2-9-1  | PMO-HOLDER_PAD, L     | JC72-00126B | 1    | O  |        |
| 2-9-2  | PMO-HOLDER_PAD, R     | JC72-00125B | 1    | O  |        |
| 2-9-3  | RPR-PAD FRICTION      | *           | 1    | X  |        |
| 2-9-4  | SPRING-PAD            | *           | 1    | X  |        |
| 2-10   | PMO-CAP_PAD           | JC72-00124A | 1    | O  |        |
| 2-11   | MEC-SIDE PAD(R)       | JC75-00051B | 1    | O  |        |
| 2-12   | MEC-SIDE PAD(L)       | JC75-00050B | 1    | O  |        |
| 2-13   | PMO-GEAR_TRANSFER     | JC72-00179A | 1    | O  |        |
| 2-14   | PPR-SPACER DR         | JC72-00288A | 1    | O  |        |
| 2-15   | MEC-TRANSFER ROLLER   | *           | 1    | X  |        |
| 2-16   | MEC-TERMINAL          | JC75-00049A | 1    | O  |        |
| 2-16-1 | TERMINAL              | *           | 1    | X  |        |
| 2-16-2 | SPRING-HV APOLLO      | *           | 1    | X  |        |
| 2-17   | PCT-INSULATOR ENG B'D | *           | 1    | X  |        |
| S-1    | SCREW-TAPTITE         | *           | 1    | X  |        |
| 3      | ELA HOU-FRAME LOWER   | *           | 1    | X  |        |
| 3-1    | PMO-FRAME LOWER       | JC72-00533A | 1    | O  |        |
| 3-2    | MEA ETC-HOLDER TR L   | *           | 1    | X  |        |
| 3-2-1  | PMO-HOLDER TR         | JC72-00100D | 1    | O  |        |
| 3-2-2  | PMO-BUSHING_TR(L)     | JC72-00102A | 1    | O  |        |
| 3-2-3  | SPRING-TR             | JC61-00458A | 1    | O  |        |
| 3-2-4  | IPR-PLATE_TR          | *           | 1    | X  |        |

## Engine/Frame Lower Assembly and Parts List

SA : Service Available  
 O : Service available X : Service not available

| No.    | Description             | SEC.Code    | Q'ty | SA | Remark |
|--------|-------------------------|-------------|------|----|--------|
| 3-3    | MEA ETC-HOLDER TR R     | *           | 1    | X  |        |
| 3-2-1  | PMO-HOLDER TR           | JC72-00100D | 1    | O  |        |
| 3-3-1  | PMO-BUSHING_TR(R)       | JC72-00101A | 1    | O  |        |
| 3-2-3  | SPRING-TR               | JC61-00458A | 1    | O  |        |
| 3-4    | PMO-CAP PLTE GU/DEV R   | JC72-41135A | 1    | O  |        |
| 3-5    | PMO-CAP PLTE GU/DEV L   | JC72-41173A | 1    | O  |        |
| 3-6    | SPRING-GUIDE DEVE       | JC61-00038A | 1    | O  |        |
| 3-7    | PMO-ACTUATOR_EXIT       | JC72-00130A | 1    | O  |        |
| 3-8    | PMO-HOLDER_EXIT         | JC72-00532A | 1    | O  |        |
| 3-9    | PMO-BUSHING_TERMINAL    | *           | 1    | X  |        |
| 3-10   | ELA HOU-OPEN SENSOR     | JC96-01584A | 1    | O  |        |
| 3-10-1 | IPR-BRKT_SENSOR         | *           | 1    | X  |        |
| 3-10-2 | CBF-HARNESS COVER       | JC39-00041A | 1    | O  |        |
| 3-11   | IPR-GUIDE-TR            | *           | 1    | X  |        |
| 3-12   | IPR-PLATE-TERMINAL      | *           | 1    | X  |        |
| 3-13   | IPR-SAW_PLATE           | *           | 1    | X  |        |
| 3-14   | PCT-FILM SAW            | *           | 1    | X  |        |
| 3-15   | IPR-EARTH_TRANS         | *           | 1    | X  |        |
| 3-16   | IPR-GROUND_GUIDE        | *           | 1    | X  |        |
| 3-17   | IPR-GROUND_HVPS         | *           | 1    | X  |        |
| 3-18   | IPR-GROUND_FUSER        | *           | 1    | X  |        |
| 3-19   | IPR-GROUND_DRIVE        | *           | 1    | X  |        |
| 3-20   | CBF HARNESS-OPE GND     | *           | 1    | X  |        |
| 3-21   | PMO-HOLDER_PR           | JC72-00531A | 1    | O  |        |
| 3-22   | BEARING-PRESSURE R      | JC65-10205A | 1    | O  |        |
| 3-23   | SPRING-PR               | *           | 1    | X  |        |
| 3-24   | MEC-ROLLER_PRESSURE     | JC75-00130A | 1    | O  |        |
| 3-25   | PMO-GUIDE_INPUT         | *           | 1    | X  |        |
| 3-26   | RMO-RUBBER_FOOT         | *           | 1    | X  |        |
| 3-27   | ELA HOU-FUSER ASS'Y220V | *           | 1    | X  |        |
| 3-28   | CBF-HARNESS FUSER       | JC39-00042A | 1    | O  |        |
| 3-29   | ELA HOU-MOTOR GND       | JC96-01579A | 1    | O  |        |
| 3-30   | PMO-BUSHING SHAFT       | JG72-40849A | 1    | O  |        |
| 3-31   | FAN-DC                  | 3103-001085 | 1    | O  |        |
| 3-32   | PMO-GEAR_83/35          | JC72-00154A | 1    | O  |        |
| 3-33   | SPRING-FUSER DR         | *           | 1    | X  |        |
| 3-34   | PMO-GEAR_FU_IN 47       | *           | 1    | X  |        |
| 3-35   | PMO-GEAR_FU_OUT 47      | *           | 1    | X  |        |
| 3-36   | MEC-ROLLER FEED         | JC75-00054A | 1    | O  |        |
| 3-37   | PBA MAIN-SENSOR         | JC92-01197A | 1    | O  |        |
| 3-38   | EMC-HOLDER FEED         | *           | 1    | X  |        |

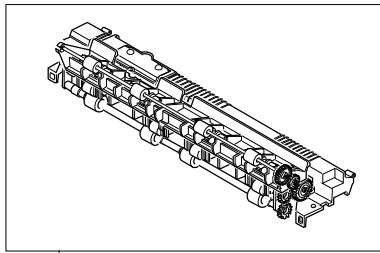
## Engine/Frame Lower Assembly and Parts List

SA : Service Available  
 O : Service available X : Service not available

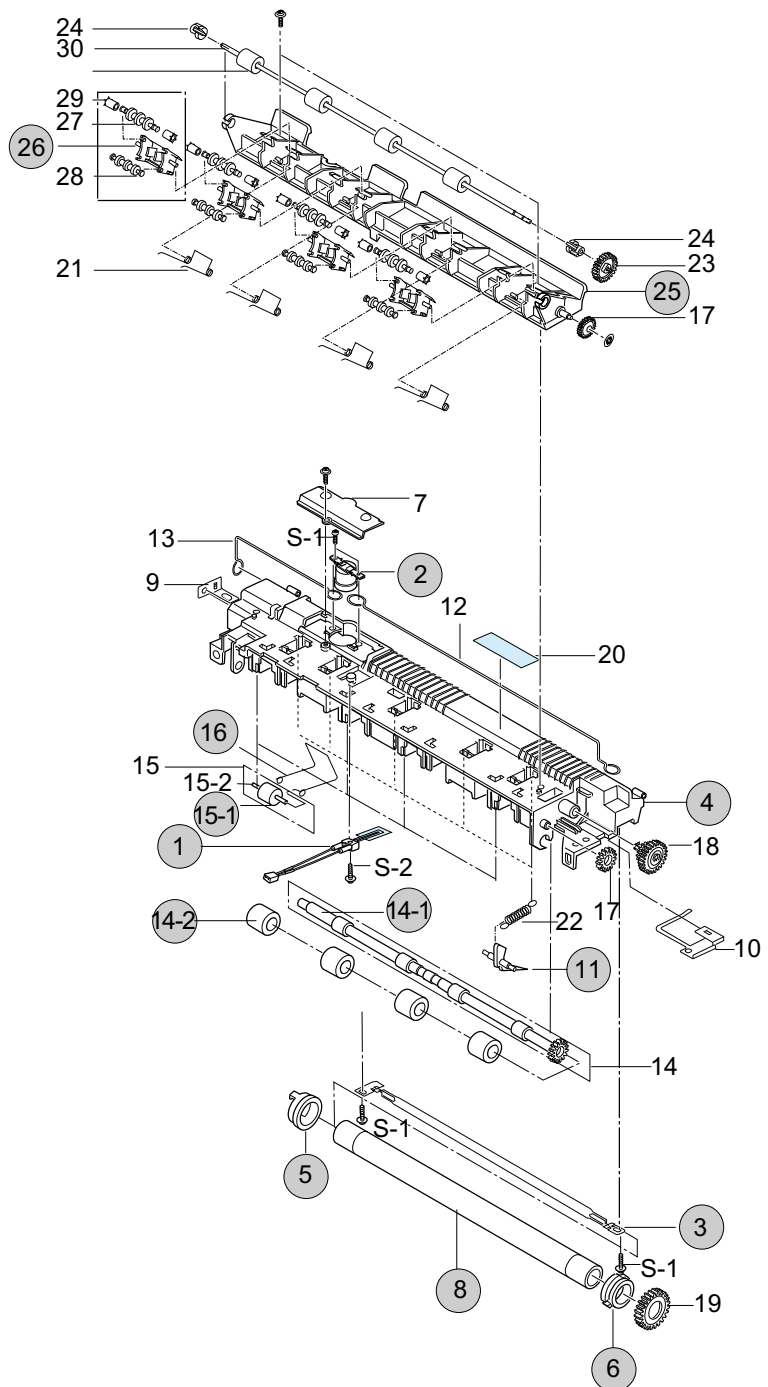
| No.  | Description              | SEC.Code    | Q'ty | SA | Remark |
|------|--------------------------|-------------|------|----|--------|
| 3-39 | CBF HARNESS-MOTOR GND    | JC39-00144A | 1    | O  |        |
| 3-40 | IRP-BRKT FUSER DRV       | *           | 1    | X  |        |
| 3-41 | PMO-HINGE FRONT(L)       | JC72-00525A | 1    | O  |        |
| 3-42 | PMO-HINGE FRONT(R)       | JC72-00526A | 1    | O  |        |
| 3-43 | PMO-COVER PTL            | JC72-00534A | 1    | O  |        |
| 3-44 | ELA HOU-PTL              | JC96-02037A | 1    | O  |        |
| 3-45 | PCT-COVER SHEET LAMP     | JC72-00596A | 1    | O  |        |
| 3-46 | PCT-INSULATOR SENSOR B'D | *           | 1    | X  |        |

## 5-4 Fuser Assembly

● : Service Passibility Parts



0



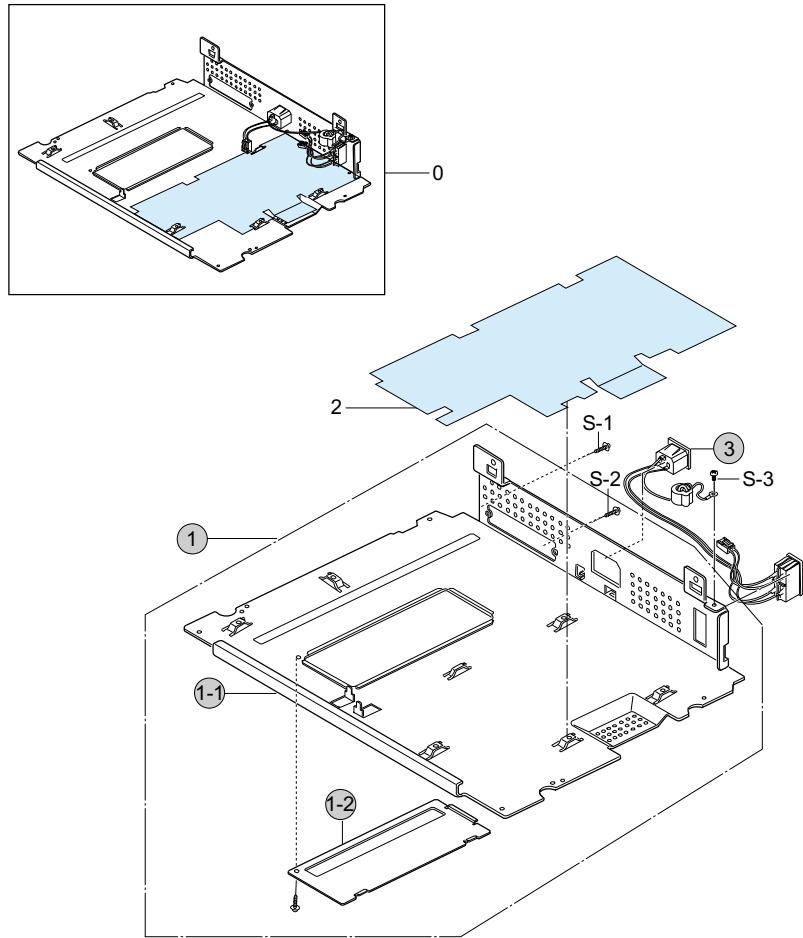
## Fuser Assembly and Parts List

SA : Service Available  
 O : Service available X : Service not available

| No.  | Description            | SEC.Code    | Q'ty | SA | Remark |
|------|------------------------|-------------|------|----|--------|
| 0    | ELA HOU-FUSER ASSY     | *           | 1    | X  |        |
| 1    | THERMISTOR-NTC         | 1404-001188 | 1    | O  |        |
| 2    | THERMOSTAT-150C        | 4712-000001 | 1    | O  |        |
| 3    | LAMP-HALOGEN           | 4713-001136 | 1    | O  |        |
| 4    | PMO-COVER FUSER        | JC72-00527A | 1    | O  |        |
| 5    | PMO-BUSHING H/R, L     | JC72-00530A | 1    | O  |        |
| 6    | PMO-BUSHING H/R, R     | JC72-00529A | 1    | O  |        |
| 7    | PMO-COVER_THERMOSTAT   | *           | 1    | X  |        |
| 8    | NPR-ROLLER HEAT        | JC71-00012B | 1    | O  |        |
| 9    | IPR-ELECTRODE_PLATE    | *           | 1    | X  |        |
| 10   | IPR-GROUND_FU          | *           | 1    | X  |        |
| 11   | PMO-GUIDE CLAW         | JC72-41128A | 1    | O  |        |
| 12   | ELECTRODE-WIRE,1       | *           | 1    | X  |        |
| 13   | ELECTRODE-WIRE,S       | *           | 1    | X  |        |
| 14   | MEA ETC-SHAFT EXIT     | *           | 1    | X  |        |
| 14-1 | PMO-SHAFT_EXIT(Z15)    | JC72-00150A | 1    | O  |        |
| 14-2 | RMO-RUBBER_EXIT        | JC73-00017A | 1    | O  |        |
| 15   | PMO-ROLLER_IDLE EXIT   | *           | 1    | X  |        |
| 15-1 | IPR-PIN ROLLER EXIT    | JC70-00064A | 1    | O  |        |
| 16   | SPRING-EXIT            | JC61-00017A | 1    | O  |        |
| 17   | PMO-GEAR_EXIT_DRV16    | *           | 1    | X  |        |
| 18   | PMO-GEAR_EXIT_IDLE     | *           | 1    | X  |        |
| 19   | PMO-GEAR_FUSER         | *           | 1    | X  |        |
| 20   | LABEL (R)-CAU_HOT_FU   | *           | 1    | X  |        |
| 21   | SPRING-EXIT DOWN       | *           | 1    | X  |        |
| 22   | SPRING-ES, GUIDE CLAW  | *           | 1    | X  |        |
| 23   | GEAR-EXIT F/DOWN       | *           | 1    | X  |        |
| 24   | BEARING-EXIT FU L      | *           | 1    | X  |        |
| 25   | PMO-COVER FUSER F/DOWN | JC72-00527A | 1    | O  |        |
| 26   | PMO-HOLDER_EXIT_DOWN   | JC72-00532A | 1    | O  |        |
| 27   | PMO-EXIT_DOWN_L        | *           | 1    | X  |        |
| 28   | PMO-EXIT_DOWN_S        | *           | 1    | X  |        |
| 29   | RMO-RUBBER-KICKER      | *           | 1    | X  |        |
| 30   | MEC-UNIT_EXIT, F_DOWN  | *           | 1    | X  |        |
| S-1  | SCREW TAPTITE          | *           | 1    | X  |        |
| S-2  | SCREW TAPTITE          | *           | 1    | X  |        |

## 5-5 Shield Engine Unit Assembly

 : Service Passibility Parts




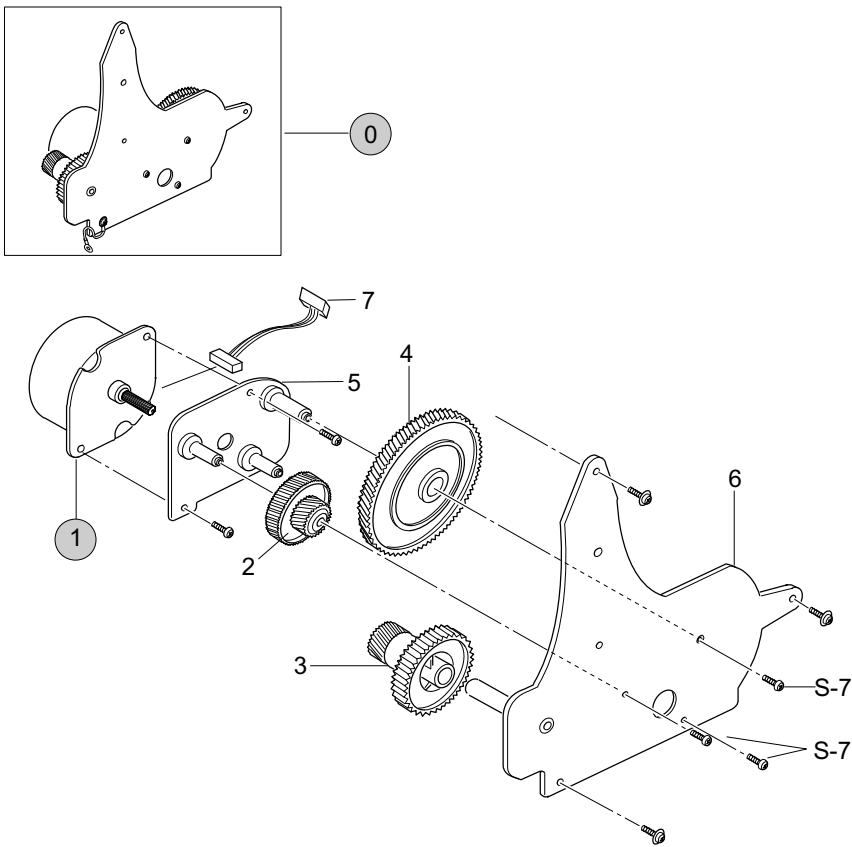
### Shield Engine Unit Assembly and Parts List

SA : Service Available  
 O : Service available X : Service not available

| No. | Description                | SEC.Code    | Q'ty | SA | Remark |
|-----|----------------------------|-------------|------|----|--------|
| 0   | ELA HOU-SHIELD ENGINE      | *           | 1    | X  |        |
| 1   | MEC-SHIELD BRKT CONTROLLER | JC75-00105C | 1    | O  |        |
| 1-1 | IPR-SHIELD ENGINE          | JC70-00130C | 1    | O  |        |
| 1-2 | IPR-BRKT CONTROLLER        | JC70-00131A | 1    | O  |        |
| 2   | PCT-INSULATOR SMPS         | *           | 1    | X  |        |
| 3   | CBF HARNESS-INLET ASS'Y    | JC39-00134A | 1    | O  |        |
| S-1 | SCREW-MACHINE              | *           | 1    | X  |        |
| S-2 | SCREW-TAPTITE              | *           | 1    | X  |        |
| S-3 | SCREW-TAPTITE              | *           | 1    | X  |        |

### 5-6 RX Drive Assembly

 : Service Passibility Parts



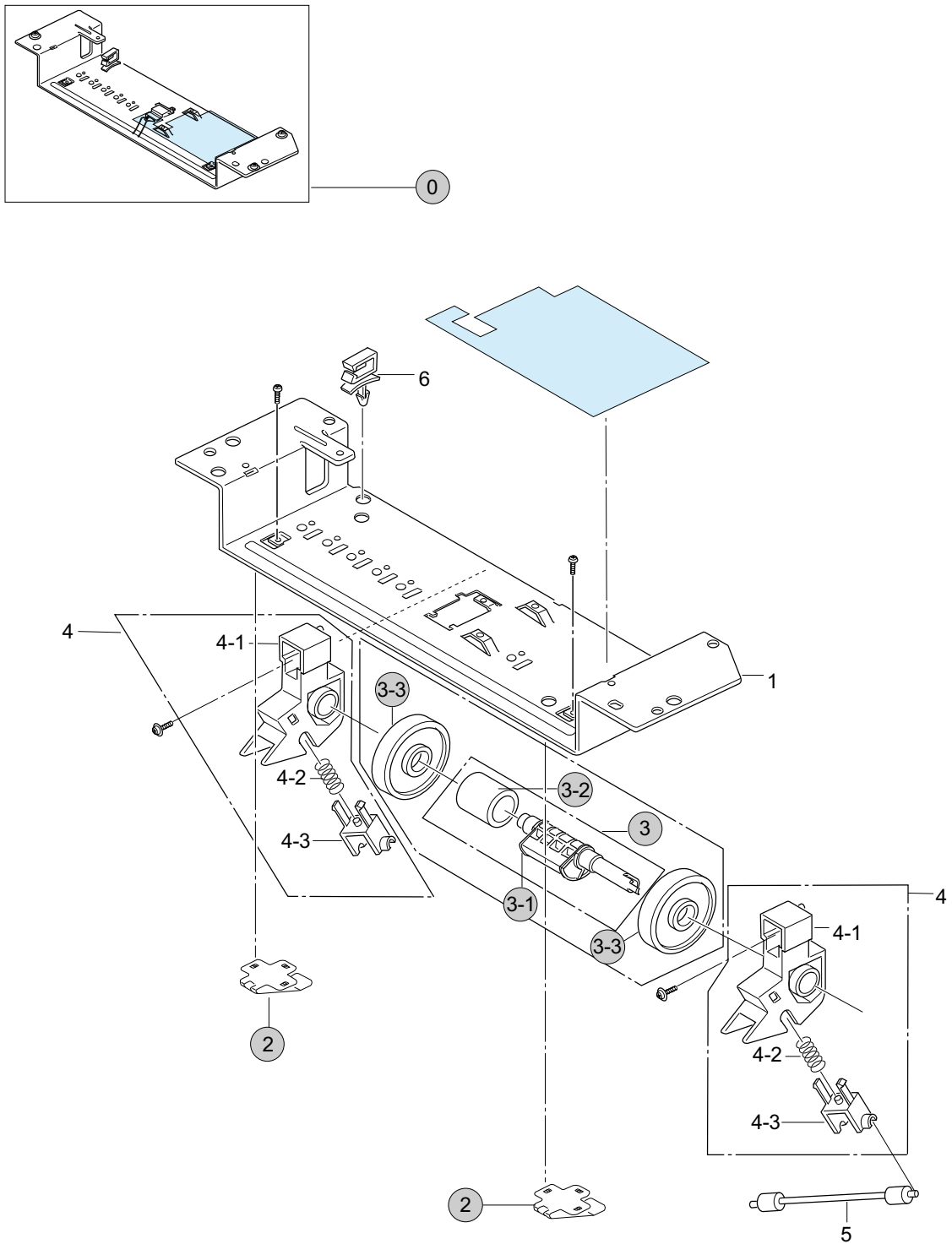
### RX Drive Assembly and Parts List

SA : Service Available  
 O : Service available X : Service not available

| No. | Description       | SEC.Code    | Q'ty | SA | Remark |
|-----|-------------------|-------------|------|----|--------|
| 0   | ELA HOU-RX DRIVE  | JC96-02125A | 1    | O  |        |
| 1   | MOTOR-STEP        | JC31-00005B | 1    | O  |        |
| 2   | PMO-GEAR_71/28    | *           | 1    | X  |        |
| 3   | PMO-GEAR_73/22    | *           | 1    | X  |        |
| 4   | PMO-GEAR_132/19   | *           | 1    | X  |        |
| 5   | IPR-BRKT_MOTOR    | *           | 1    | X  |        |
| 6   | IPR-BRKT_GEAR     | *           | 1    | X  |        |
| 7   | CBF-HARNESS_MOTOR | *           | 1    | X  |        |
| S-7 | SCREW-MACHINE     | *           | 1    | X  |        |

## 5-7 Plate-Upper Unit Assembly

○ : Service Passibility Parts





## Plate-Upper Unit Assembly and Parts List

SA : Service Available  
 O : Service available X : Service not available

| No. | Description           | SEC.Code    | Q'ty | SA | Remark |
|-----|-----------------------|-------------|------|----|--------|
| 0   | MEC-PLATE UPPER       | JC75-00111A | 1    | O  |        |
| 1   | IPR-UPPER-PLATE       | *           | 1    | X  |        |
| 2   | IPR-PLATE SPRING DEV  | JC70-10223A | 1    | O  |        |
| 3   | MEA ETC-ROLLER PICKUP | JC97-01308A | 1    | O  |        |
| 3-1 | PMO-HOUSING_PICKUP    | JC72-00109A | 1    | O  |        |
| 3-2 | RMO-ROLLER_PICKUP     | JC73-00018A | 1    | O  |        |
| 3-3 | PMO-IDLE_PICKUP       | JC72-00110A | 1    | X  |        |
| 4   | MEA ETC-IDLE FEED     | *           | 1    | X  |        |
| 4-1 | PMO-HOLDER_PICKUP     | *           | 1    | X  |        |
| 4-2 | SPRING-FEED           | *           | 1    | X  |        |
| 4-3 | PMO-HOLDER_IDLE,FEED  | *           | 1    | X  |        |
| 5   | ICT-ROLLER_IDLE,FEED  | *           | 1    | X  |        |
| 6   | CABLE CLAMP           | *           | 1    | X  |        |
| S-1 | SCREW TAPTITE         | *           | 1    | X  |        |
| S-9 | SCREW TAPTITE         | *           | 1    | X  |        |