

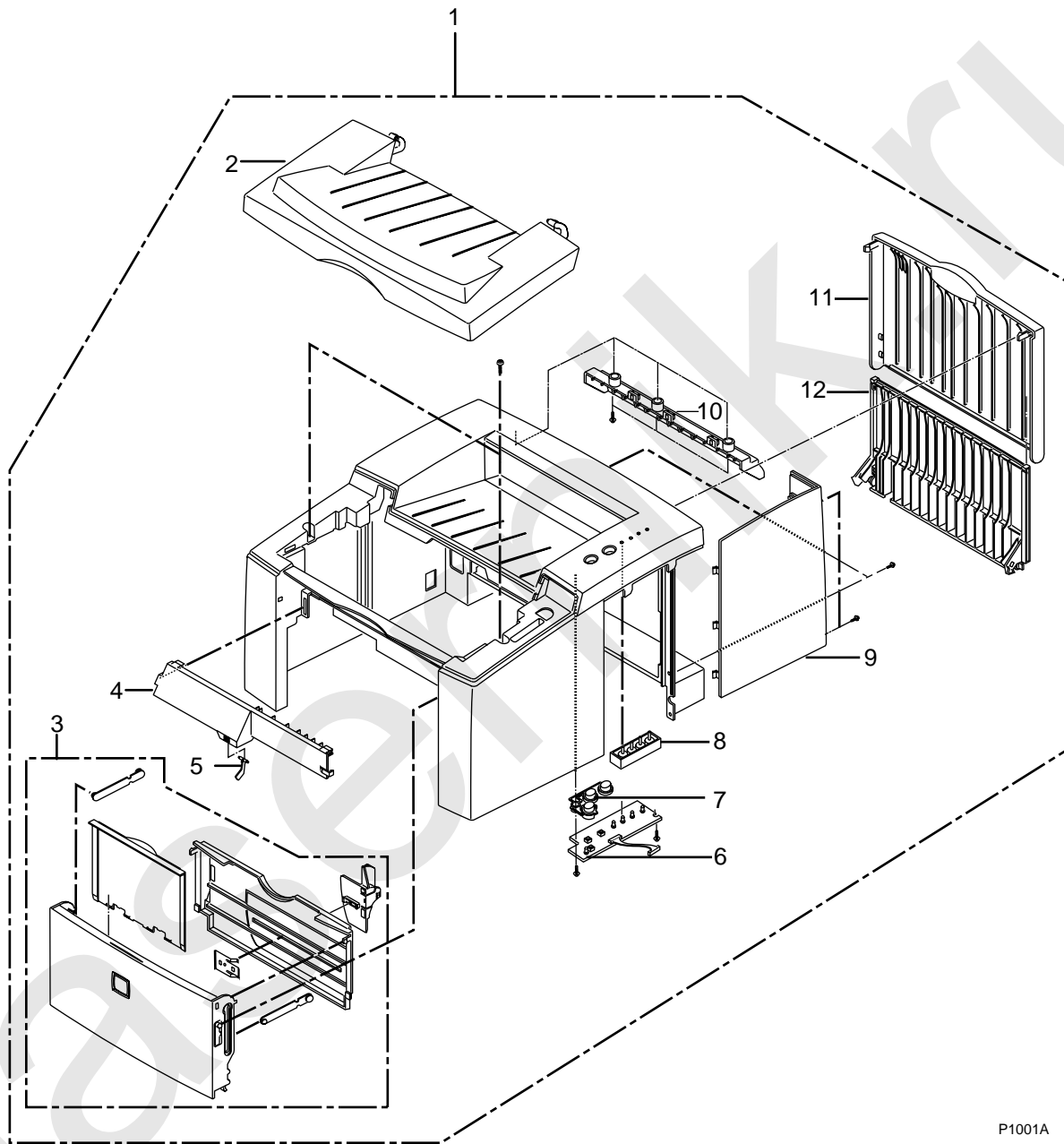
Section 3

Parts Lists

<i>PL 1 Covers</i>	3-2
<i>PL 2 Frame Assembly</i>	3-4
<i>PL 3 Laser Assembly, Exit Assembly, Print Cartridge</i>	3-6
<i>PL 4 Fuser Assembly</i>	3-8
<i>PL 5 Main Drive Assembly</i>	3-10
<i>PL 6 Pickup Assembly (Bottom View)</i>	3-12
<i>PL 7 Multi-Purpose Paper Tray Housing</i>	3-14
<i>PL 8 Multi-Purpose Paper Tray (270 Sheets)</i>	3-16
<i>PL 9 Systems Controller and Electronics</i>	3-18
<i>PL 10 Lower Paper Tray Frame and Paper Tray (Option)</i>	3-20
<i>Tools, Kits, and Expendables, Glossary</i>	3-22

PL 1 Covers

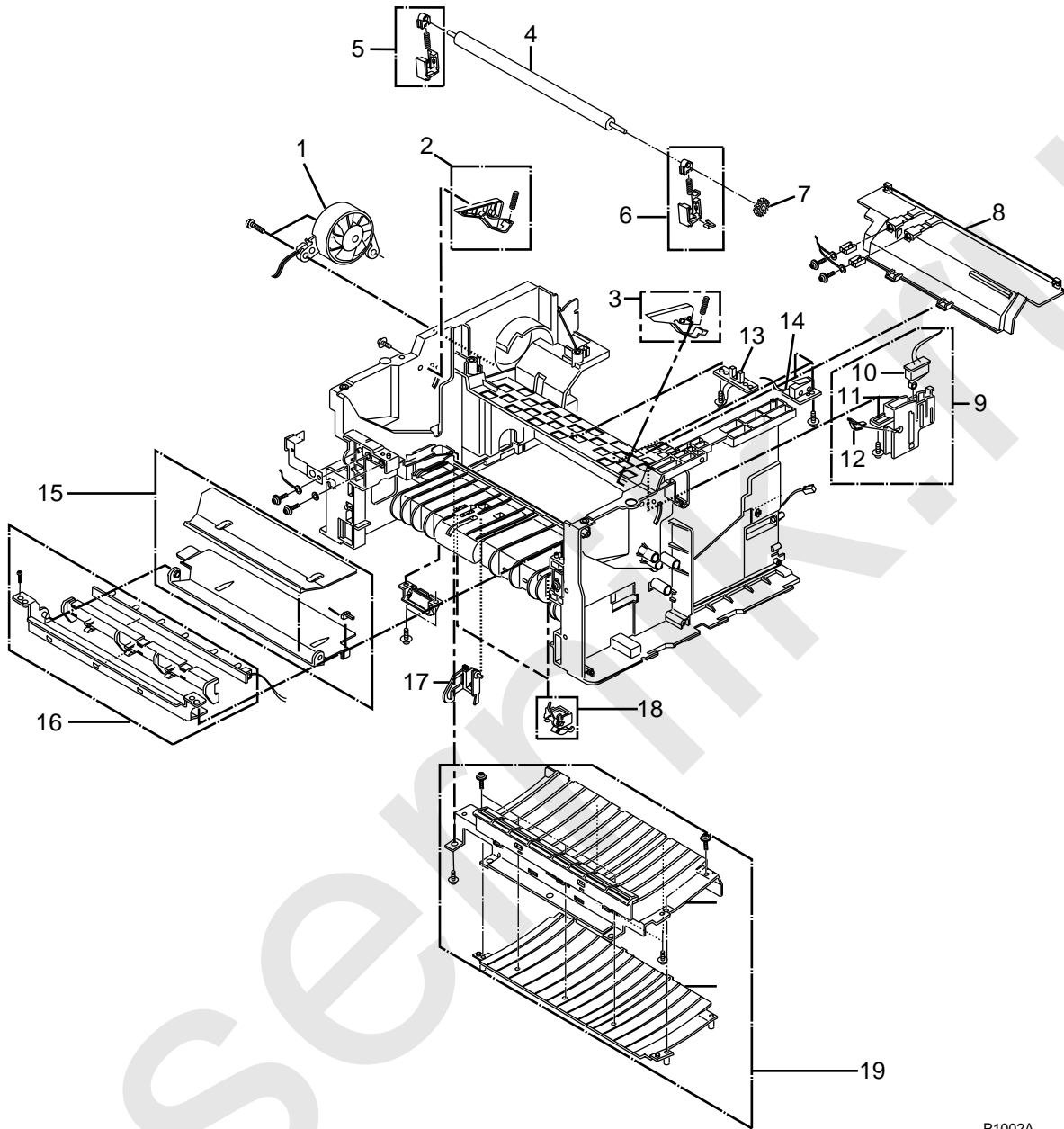
Item	Part Number	Description
1)	2N01839	Main Cover Assembly (Includes items 2-12)
2)	--	Top Cover
3)	2N01841	Multi-Purpose Tray Unit
4)	--	Multi-Purpose Tray Support
5)	--	Multi-Purpose Tray Empty Lever
6)	107N00390	LED Panel PWB
7)	--	Button Panel
8)	--	LED Lens
9)	101N01267	Systems Controller Cover
10)	--	Exit Guide
11)	--	Rear Cover
12)	--	Stacker Cover



P1001A

PL 2 Frame Assembly

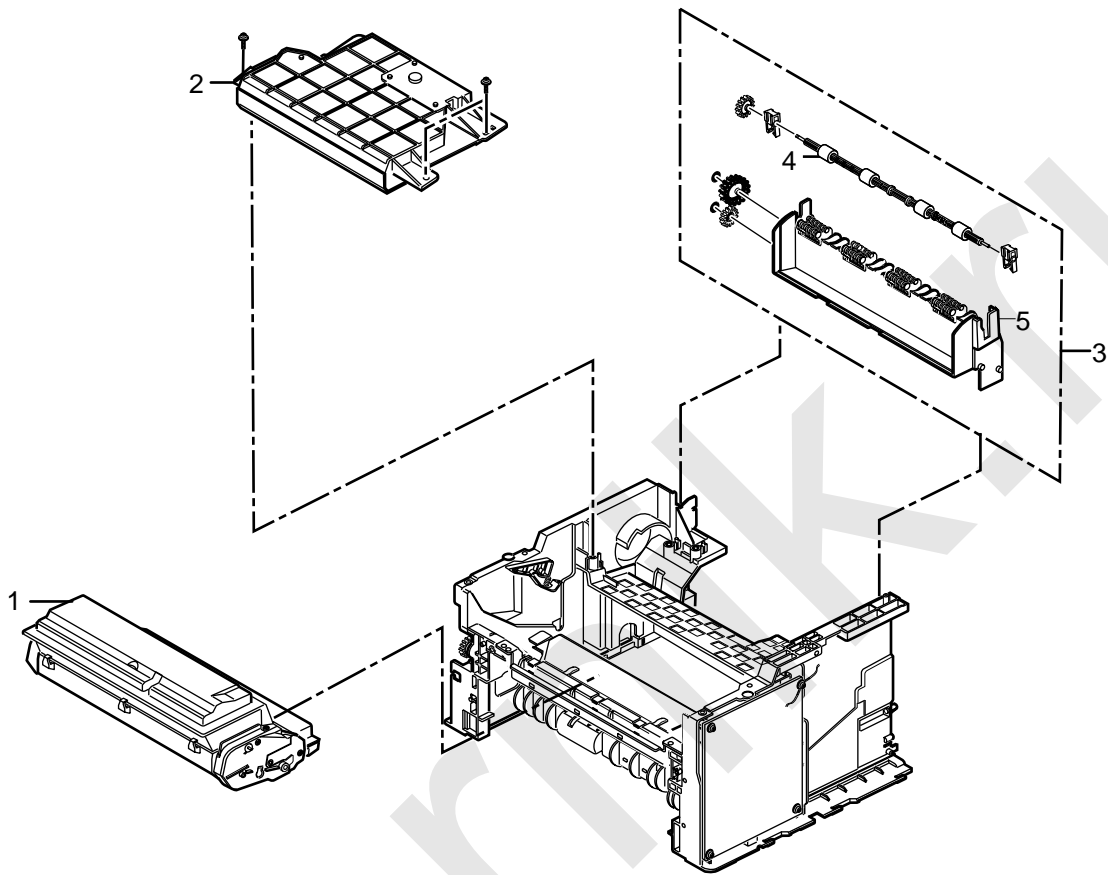
Item	Part Number	Description
1)	127N01250	DC Fan
2)	32N00310	Right Developer Guide
3)	32N00311	Left Developer Guide
4)	22N01296	Transfer Roller
5)	30N00561	Left Transfer Roller Holder
6)	30N00560	Right Transfer Roller Holder
7)	7N01013	Transfer Roller Gear (29)
8)	--	Frame Cover
9)	--	Developer Sensor (Includes items 10-12)
10)	110N01002	Microswitch (CRU Empty Check)
11)	--	Actuator Holder
12)	120N00371	Developer Actuator
13)	120N00374	Exit Sensor
14)	110N01001	Fuser Switch
15)	38N00350	Feed Guide Unit
16)	2N01842	PTL Unit
17)	120N00373	Tray Empty Actuator
18)	120N00372	Feed Actuator
19)	--	Transfer Guide Unit



P1002A

PL 3 Laser Assembly, Exit Assembly, Print Cartridge

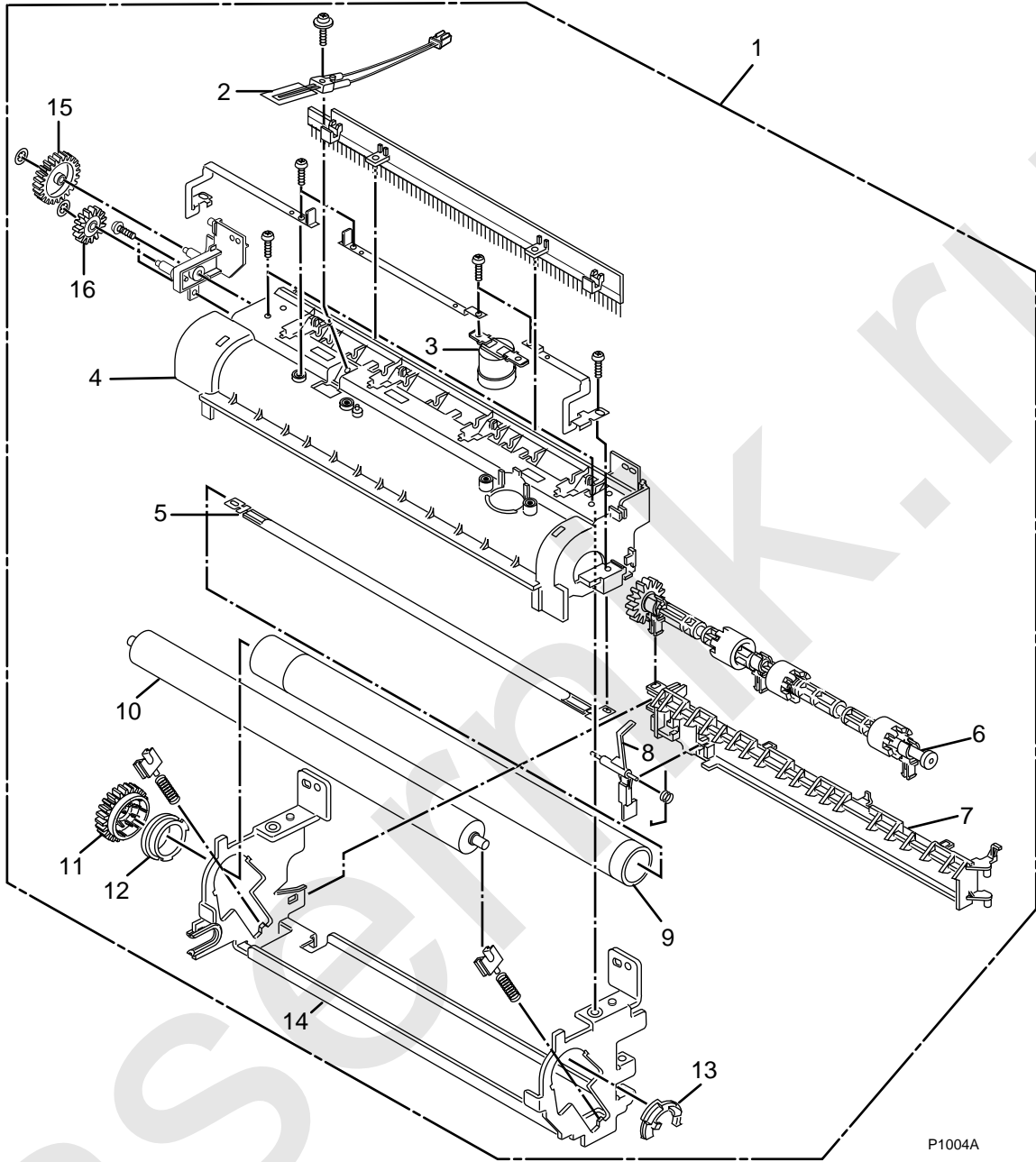
Item	Part Number	Description
1)	--	Print Cartridge
2)	122N00177	Laser Assembly
3)	2N01840	Exit Assembly (Includes items 4-5)
4)	--	Exit Roll
5)	--	Exit Housing



P1003A

PL 4 Fuser Assembly

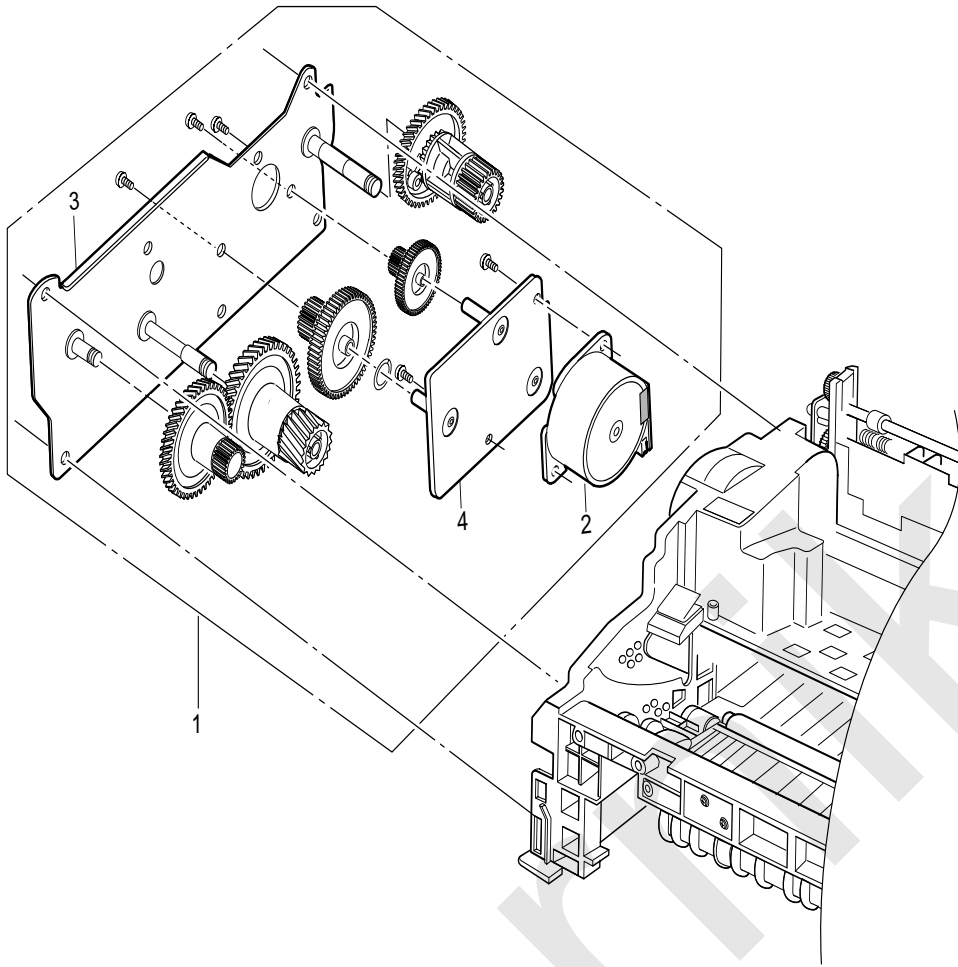
Item	Part Number	Description
1)	126N00168	Fuser Assembly (110V) (Includes Items 2-16)
	126N00169	Fuser Assembly (220V) (Includes items 2-16)
2)	130N01090	Thermistor
3)	--	Thermostat
4)	--	Fuser Cover
5)	24N00105	Halogen Lamp (110V)
	24N00106	Halogen Lamp (220V)
6)	--	Exit Shaft
7)	32N00312	Rear Guide
8)	--	Exit Actuator and Pin
9)	--	Heat Roller
10)	--	Pressure Roller
11)	--	Fuser Gear (Z32)
12)	--	Left Bushing
13)	--	Right Bushing
14)	--	Fuser Frame
15)	--	Idle Gear (25)
16)	--	Idle Gear (15)



P1004A

PL 5 Main Drive Assembly

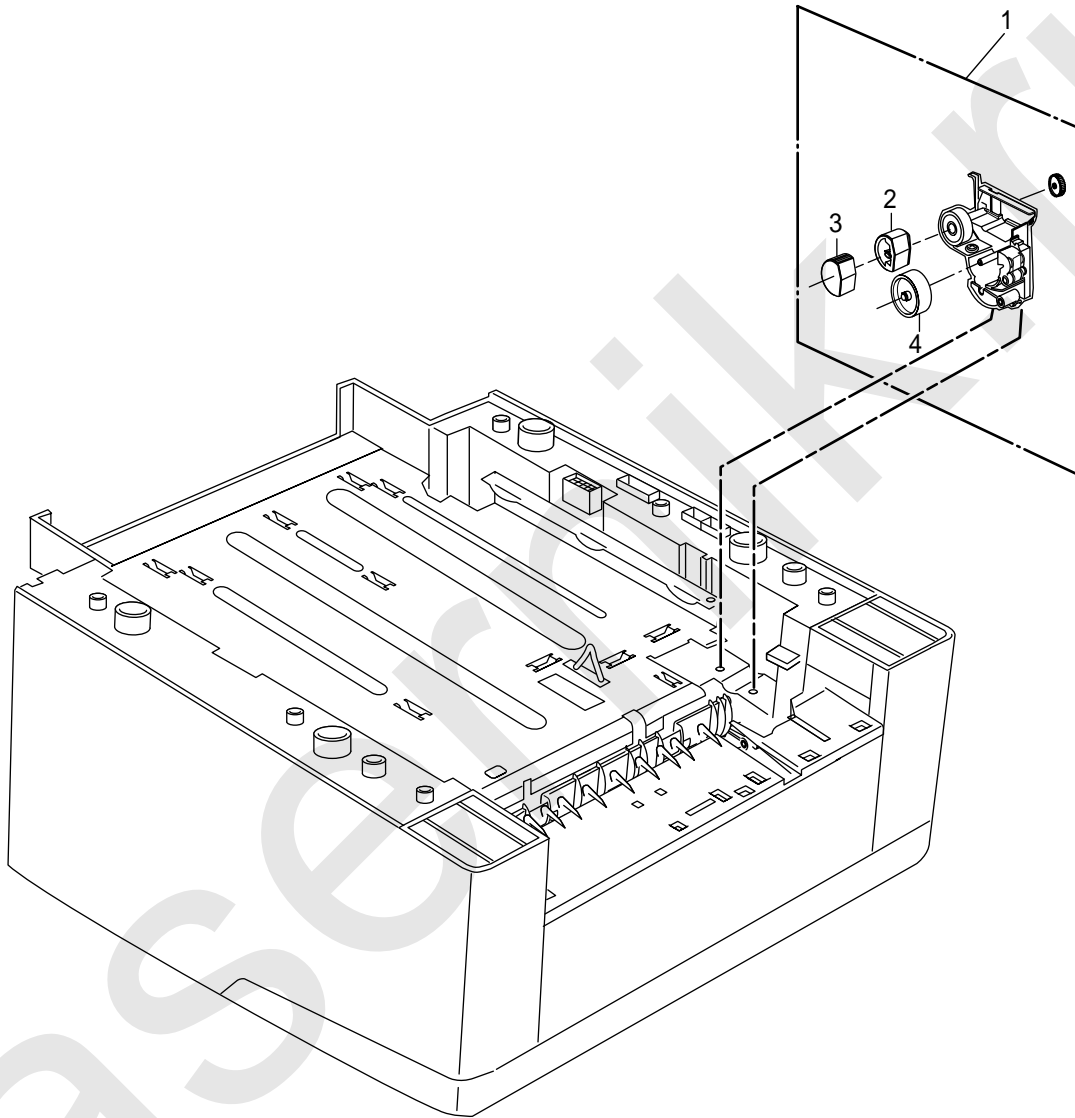
Item	Part Number	Description
1)	7N01012	Main Drive Assembly (Includes items 2-4)
2)	127N01248	Main Drive Motor
3)	--	Gear Bracket
4)	--	Motor Bracket



P1005A

PL 6 Pickup Assembly (Bottom View)

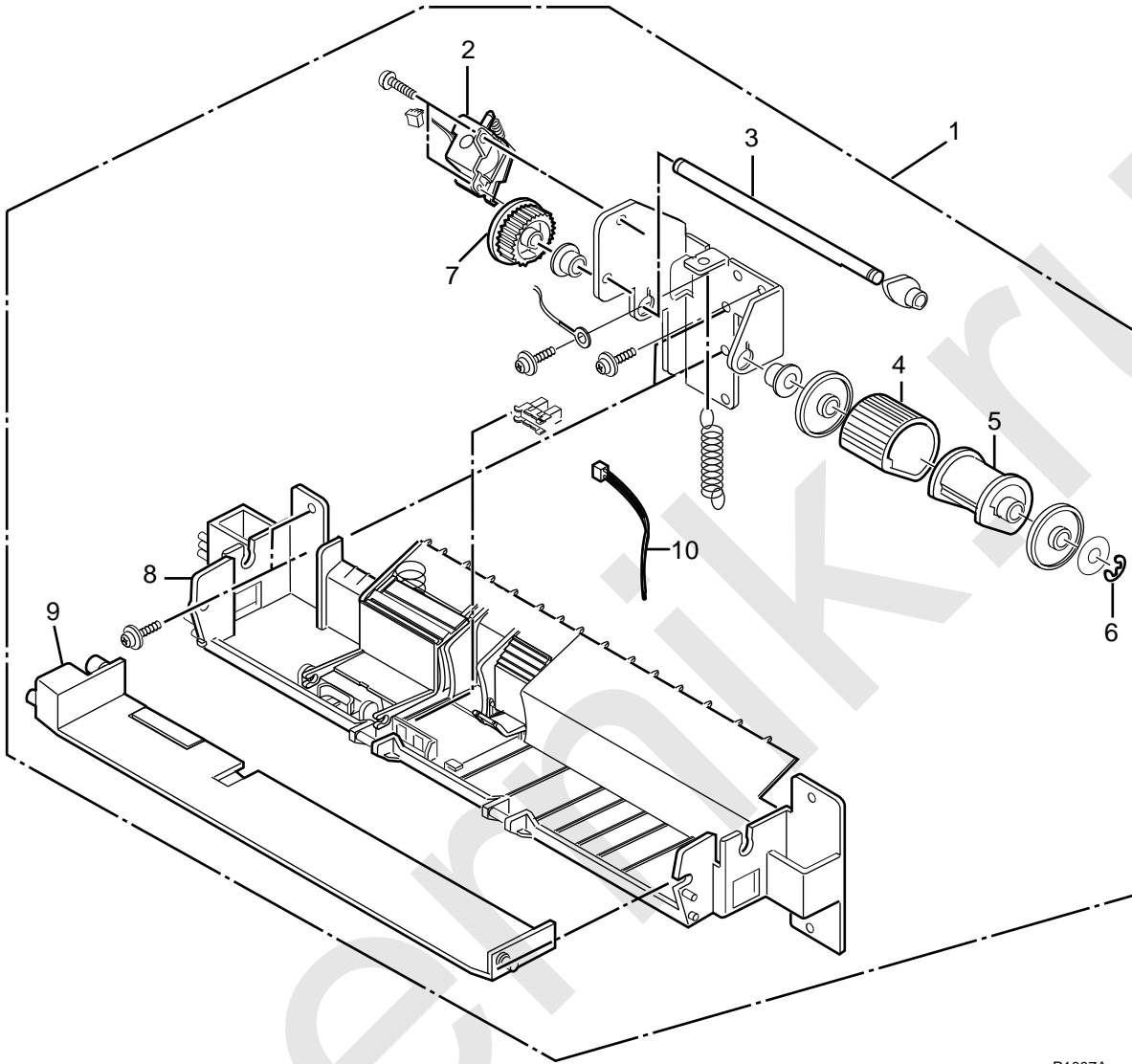
Item	Part Number	Description
1)	22N01301	Paper Feed Assembly (Includes items 2-4)
2)	--	Pick up Roll Housing
3)	30N00904	Pick Up Roll Rubber
4)	--	Drive Feed Roll



P1006A

PL 7 Multi-Purpose Paper Tray Housing

Item	Part Number	Description
1)	22N01304	Multi-Purpose Feeder Rack Assembly (Includes items 2-10)
2)	121N00517	Solenoid
3)	--	Pick up Shaft
4)	22N01300	Pick Up Rubber
5)	--	Pick Up Housing
6)	--	E Ring
7)	--	Pick Up Gear
8)	--	Frame
9)	--	Plate
10)	--	Tray Empty Harness

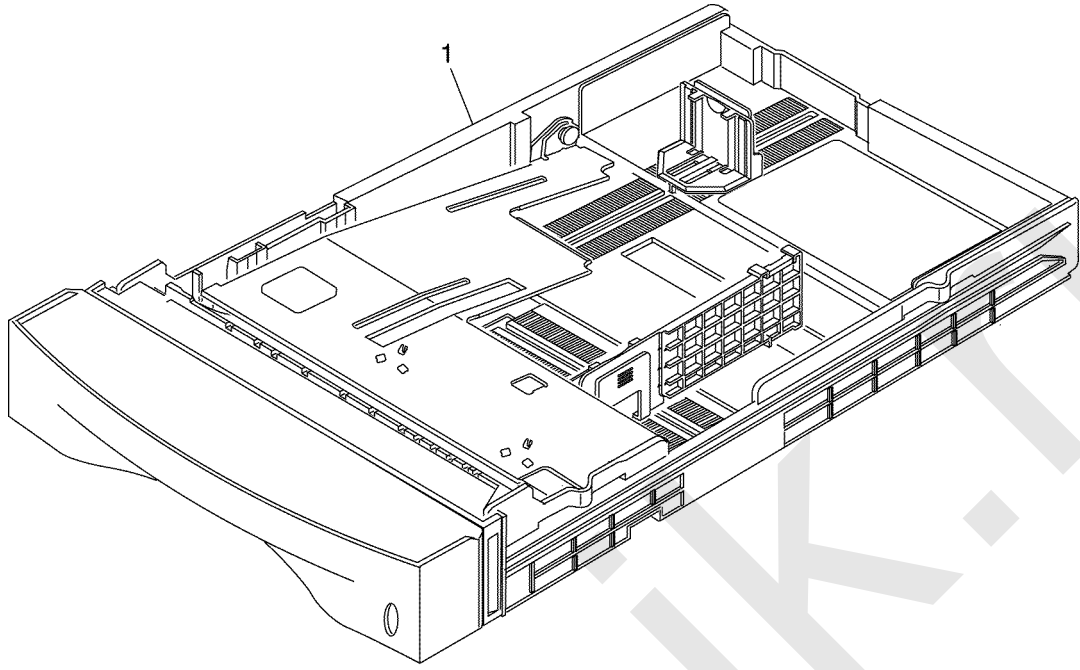


P1007A

PL 8 Multi-Purpose Paper Tray (270 Sheets)

Item	Part Number	Description
1)	22N01303	Multi-Purpose Cassette Paper Tray (270 Sheets)
2)	--	Paper Back Stop

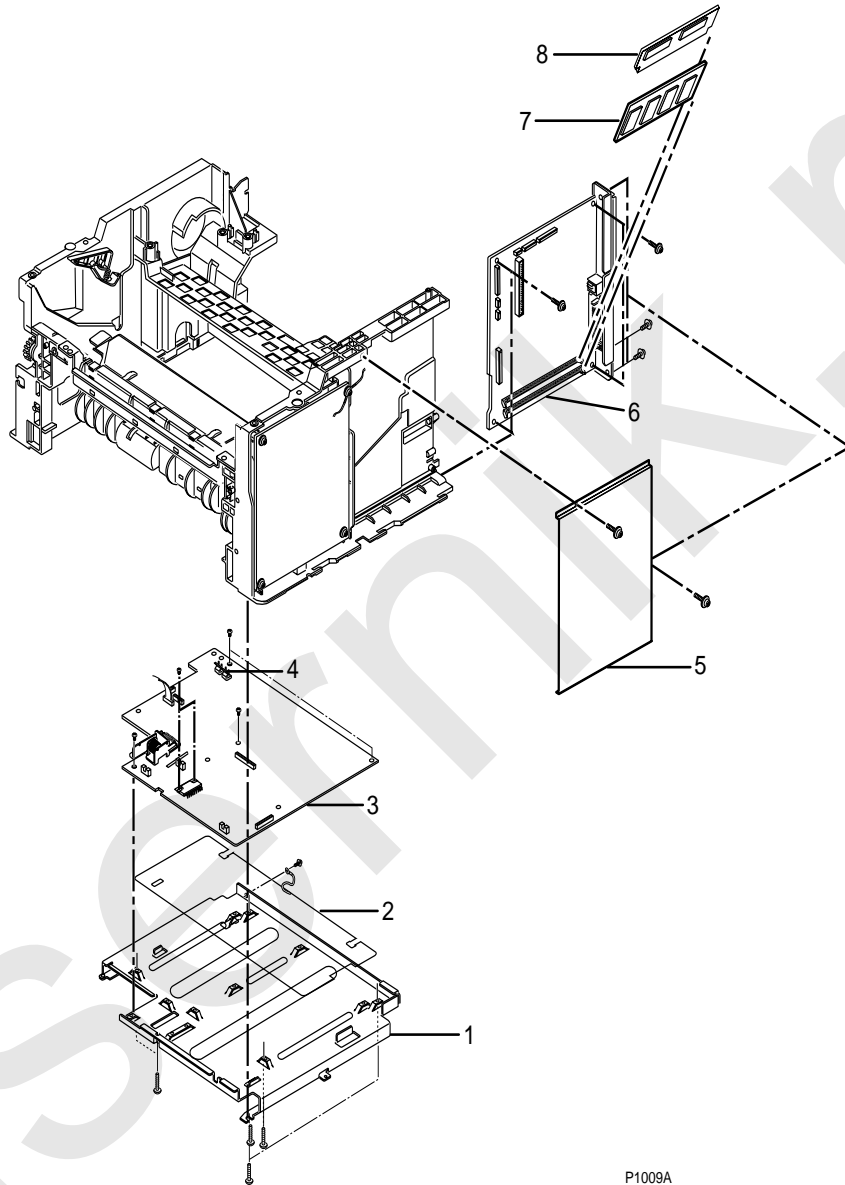
laser.nik.ru



P1008A

PL 9 Systems Controller and Electronics

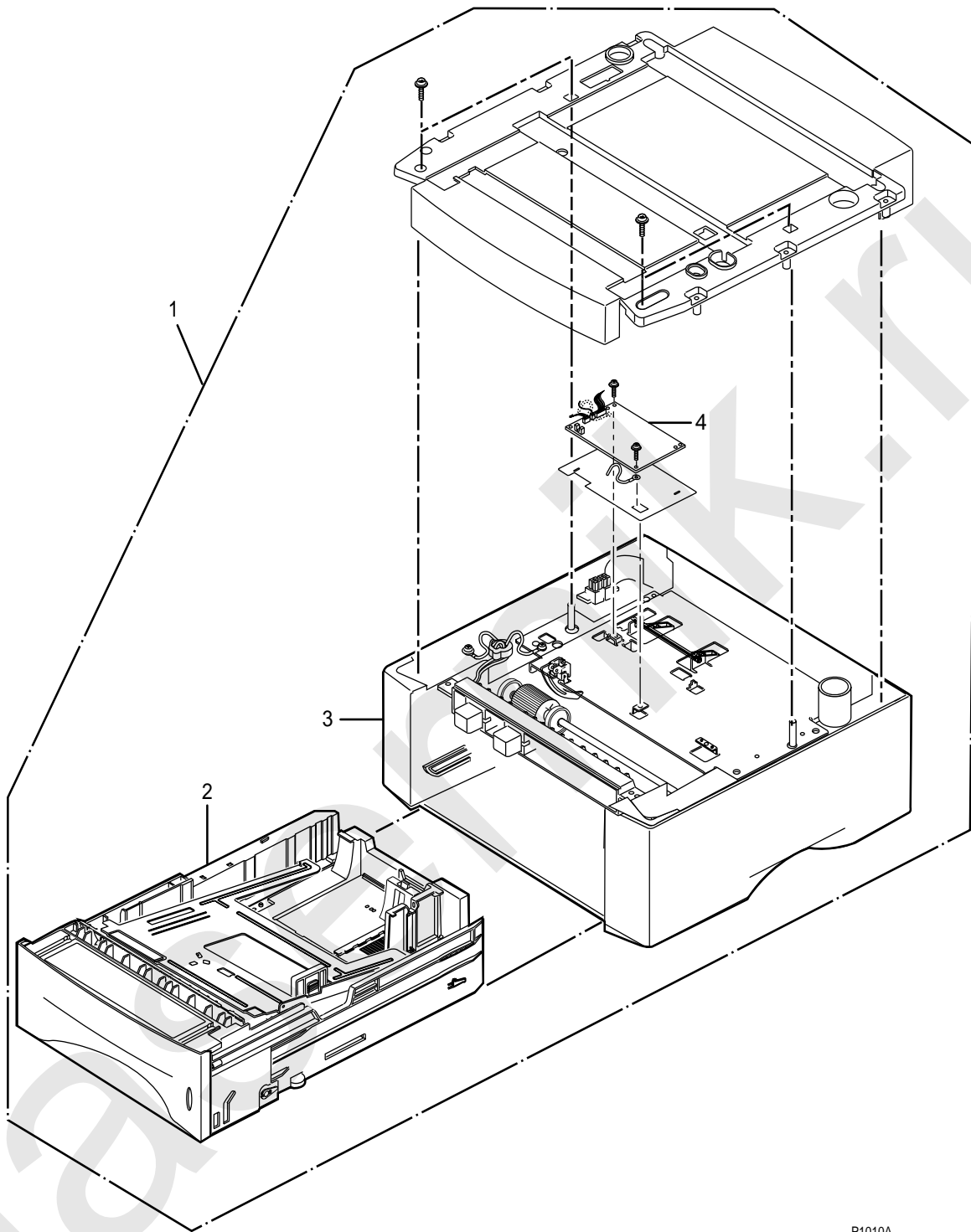
Item	Part Number	Description
1)	--	Shield
2)	--	Insulator
3)	140N05726	Main Engine PWB (110V)
	140N05727	Main Engine PWB (220V)
4)	108N00937	Fuse (V1) 125 VAC T8A
	108N00470	Fuse (V2) 250 VAC T5A
5)	101N01268	Sub-HVPS
6)	140N05725	Controller PWB
7)	--	RAM Memory (Option)
8)	--	Postscript (Option)



P1009A

PL 10 Lower Paper Tray Frame and Paper Tray (Option)

Item	Part Number	Description
1)	97N01055	Lower Paper Tray Frame and Paper Tray (110V)
	97N01056	Lower Paper Tray Frame and Paper Tray (220V)
2)	--	Paper Tray (500 Sheets)
3)	--	Paper Tray Frame
4)	140N05724	Paper Tray Sub PWB



P1010A

Kits, Tools, and Supplies

Kits and Tools

Item	Part Number	Description
1)	600T80138	Anacom G80
2)	600T80340	Diagnostic Control Unit
3)	600T80345	DCU Overlay Kit
4)	600N01672	Hardware Kit
5)	600T01653	High Voltage Probe

Supplies

Item	Part Number	Description
1)	35P01538	Cleaning Cloth (treated)
2)	600S04372	Cleaning Pads
3)	35P02162	Cotton Swabs
4)	99P03082	Disposable Gloves
5)	99P03023	Disposable Plastic Bags
6)	5P01737	Drop Cloth
7)	43P00045	Film Remover
8)	43P00048	Formula A Cleaner
9)	63P00560	Glue Capsule
10)	600S04653	Polyurethane Pads
11)	35P03191	Towel (heavy duty)

Supplies (XEROX EUROPE)

Item	Part Number	Description
1)	8R90175	Cleaner
2)	600S04372	Cleaning Pad Kit
3)	8R90019	Cloth
4)	43P00083	Fuser Cleaning Solvent Pads
5)	8R90176	General Cleaning Solvent
6)	8R90177	Lens Cleaner

Glossary

- 1) (--) in the Part Number column indicates the part is not spared.
- 2) (Includes items 2-8) in the Description indicates when this part is ordered, items 2-8 are included. However if only one of these items is needed it may be ordered separately.
- 3) Boxed items in the illustration indicates all items within are part of the order.