



C4781A Input Tray Parts

Bushing

1 RS5-1399-000CN Drive bushing - Paper deck drive assembly bushing

Cable

2 RG5-3909-000CN Power supply cable - Between power supply and controller PCA

3 RG5-3919-000CN Main cable - Largest cable in C4781A

Caster

4 XZ9-0442-000CN Caster wheel

Cover

5 RB1-7832-020CN 2000 sheet paper tray right side cover

RB2-2509-000CN Clutch cover for 2000 sheet input tray

7 RB2-2519-000CN Back cover - Protects back of tray assembly

8 RF5-2568-000CN Front cover - Contains LED status display window

9 RF5-2644-000CN Paper tray top cover - Includes label

10 RF5-2646-000CN Left cover

Drive Assembly

11 RG5-3851-000CN Paper deck drive assembly - Gear assembly that lifts the paper plate to the pickup roller

Feed Assembly

12 C4781-69510 Paper feed assembly - Vertical transfer unit - Transfers paper from pickup assembly up to the printer input
REQUIRES RETURN OF DEFECTIVE PART

RG5-3854-000CN *New Part for C4781-69510*

Foot

13 RG5-3853-000CN Adjustable foot - Threaded attachment for leveling

14 RG5-4205-000CN Cabinet stabilizer (outrigger) - With adjustable foot

Fuse

15 VD7-1893-151CN Power supply fuse, 250V max

Labels

16 RB2-5342-000CN 2000 sheet paper tray cassette size label

Lock

RB1-7746-000CN Tray shipping lock clip - Secures paper tray during shipping

Module

C4781-60500 AC power box - Holds AC receptacle, fuse holder, and four cable connections - Includes mounting clips

PC Board

19 RG5-2166-000CN Sensor PCA - Paper quantity sensor PCA

20 RG5-2168-000CN Sensor PCA - Paper size sensor PCA

21 RG5-3908-000CN Paper deck PCA - Input tray controller PCA

Pickup Assembly

22 C4781-69505 2000 sheet paper tray paper pickup assembly - Not compatible with C3763A and C3773A Input Tray
REQUIRES RETURN OF DEFECTIVE PART

RG5-3843-000CN *New Part for C4781-69505*

RG5-3843-000CN 2000 sheet paper tray paper pickup assembly - Not compatible with C3763A and C3773A Input Tray

Pin

24 RF5-2556-000CN Positioning pin - Metal locating pins - Set of 3

Plate

25 RB1-6894-000CN Paper cassette size plate - Self adhesive label NOT included

26 RG5-3849-000CN Middle paper limit plate



C4781A Input Tray Parts

Plate

- 27 RG5-3850-000CN Front paper reference plate - Front paper limit plate for 2000 sheet feeder
- 28 RG5-4201-000CN Rear paper limit plate - Back paper limit plate for 2000 sheet feeder

Power Cord

- C4781-60501 'Daisy chain' power cord - Has C13 (F) connector and C14 (M) connector - 250V, 10A - 71.5cm (28.1 inches) long
- C4781-60502 'Daisy chain' power cord - 18 AWG, 2.6m (8.4ft) long - Has C14 (M) plug for power input and C13 (F) plug for power output - 250V, 10A

Power Supply

- 31 RG5-4021-000CN Universal power supply

Roller

- 32 RF5-1834-000CN Feed/separation roller - Has a blue gear on one end and blue release tab on the other - Mounts in the paper pickup assembly (4 used)
- 33 RF5-1835-000CN Pickup roller assembly - Has attached black plastic gear - Mounts in the paper input unit (two Used)

Spring

- 34 RB1-7835-000CN Leaf spring - Retaining spring
- 35 RS5-2561-000CN Tension spring

Status Panel

- 36 RG5-4204-000CN LED display - Status display with holder and cable

Tab

- 37 RB1-7677-000CN Retainer tab

Tray

- 38 C4781-69506 2000 sheet paper tray (Tray 4) - Paper holder cassette ONLY
REQUIRES RETURN OF DEFECTIVE PART
- RG5-3845-000CN *New Part for C4781-69506*

Delivery Drive Assembly

Drive Assembly

- 39 RG5-3067-140CN Delivery drive assembly

Drum/Cartridge Drive

Drive Assembly

- 40 RG5-3065-160CN Cartridge drum drive assembly

Motor

- 41 RH7-1328-000CN Cartridge drum drive motor

Sensor

- 42 RG5-3033-000CN Photosensor - Carousel position sensor

Electronic Accessories

Cable (Interface)

- 5063-1254 IEEE-1284 Bi-Tronics parallel cable - DB-25 (M) connector (type A) to 36 pin high density IEEE-1284C (M) connector (type C) - 3.0m (9.8ft) long
- 5063-1255 IEEE-1284 Bi-Tronics parallel cable - DB-25 (M) connector (type A) to 36 pin high density IEEE-1284C (M) connector (type C) - 10m (33ft) long
- 92215N Interface cable kit - For HP peripherals designed for use in an AppleTalk/Phonenet network - Not for Macintosh models that have recessed I/O connectors
- 92215S RS-422 serial cable - 8 pin (M) to 8 pin (M) - 2.0m (6.6ft) long - For connecting Apple Macintosh with LocalTalk/serial connector
- C2946A IEEE-1284 Bi-Tronics parallel cable - DB-25 (M) connector (type A) to 36 pin high density IEEE-1284C (M) connector (type C) - 3.0m (9.8ft) long
- C2947A IEEE-1284 Bi-Tronics parallel cable - DB-25 (M) connector (type A) to 36 pin high density IEEE-1284C (M) connector (type C) - 10m (33ft) long



Electronic Accessories

Cable (Interface)

C4781-60504 Multi-Bin mailbox interface C-link cable - 45cm (17.7 inches) long

Drive

C2986-61011 3.2GB hard drive (LaserJet)

Interface (Product)

J6057A JetDirect 615N internal print server (10Base-T and 100Base-TX) LAN interface board - Plugs into peripheral EIO slot - Has a RJ-45 connector - Comes with software on CD-ROM and manual

J6057AR JetDirect 615N internal print server (10Base-T and 100Base-TX) LAN interface board - Plugs into peripheral EIO slot - Has a RJ-45 connector - Comes with software on CD-ROM and manual

Memory (DIMM)

C4140-67901 4MB, 100-pin SDRAM DIMM memory module

C7842-67901 *New Part for C4140-67901*

Memory (Product)

C4140A 4MB, 100-pin SDRAM DIMM memory module
NO LONGER SUPPLIED

C7842A *New Part for C4140A*

C4292A 8MB Traditional Chinese MROM DIMM - For LaserJet 4000 and 5100 series printers

C4293A 8MB Simplified Chinese MROM DIMM - For LaserJet 4000 and 5100 series printers

C7842A 8MB, 100-pin SDRAM DIMM memory module

C7843A 16MB, 100-pin SDRAM DIMM memory module

C7845A 32MB, 100-pin SDRAM DIMM memory module

Q1887A 64MB, 100-pin synchronous SDRAM DIMM memory module

YS-90210 8MB Japanese font DIMM - For HP LaserJet
NO LONGER SUPPLIED

Upgrade Kit

C3983-67901 PCL upgrade kit - Includes two PCL DIMM's, two 16MB DIMM's, driver CD-ROM, user's guide (on CD-ROM) , and installation instruction sheet

External Case Parts

Brush

63 RB1-9617-000CN Cleaning brush - Blue brush in density sensor assembly

Cover

64 RA0-0067-000CN Right rear cover

65 RA0-0068-000CN Hinge cover - Front door hinge cover

66 RA0-0069-000CN Right front cover

67 RB1-6480-000CN Lower left cover

68 RB1-6492-000CN Power switch cover - Has cutout for power switch

69 RB1-9537-000CN Density sensor cover

70 RB1-9547-000CN Side gear cover

71 RF0-0015-000CN Fan cover for exhaust fan

72 RF5-1995-000CN Right sub assembly cover

73 RG0-0112-000CN Front cover assembly

74 RG0-0113-000CN Left upper cover assembly

75 RG0-0115-000CN Rear cover assembly of printer with air filters

76 RG0-0116-000CN Top cover assembly - Top cover, paper stop and control panel

77 RG0-0117-000CN Fan access cover - Holds both fan air filters

78 RG0-0118-000CN Left rear cover - Corner cover with slot for I/O connectors



External Case Parts

Cover

79 RG5-3096-090CN Lower right side cover assembly

Fan

80 RH7-1393-000CN Cooling fan (FM3)

Filter

81 RB1-9807-000CN Air filter - Large rear fan (FM1) air filter

82 RB1-9808-000CN Air Filter

83 RB1-9836-000CN Ozone filter - Charcoal air filter

Hinge

84 RG5-3962-000CN Stopper hinge - Tray 1 support/hinge

LED

87 RG5-3980-000CN LED assembly - Preconditioning exposure LED unit

Latch

85 RA0-0079-000CN Fan access panel latch

86 XZ9-0183-000CN Front swing out door latch - Plunger that inserts into double roller reciever to hold door closed

Lever

88 RA0-0008-000CN Shutter lever - White plastic plunger mounted on top of inside of front door

89 RB1-6485-000CN Door release lever

Overlay

C3983-40001 Color LaserJet 8500 control panel overlay (English)

C3983-40002 Color LaserJet 8500 control panel overlay (Traditional Chinese)

C3983-40003 Color LaserJet 8500 control panel overlay (Korean)

C3983-40004 Color LaserJet 8500 control panel overlay (Simplified Chinese)

C3983-40005 Color LaserJet 8500 control panel overlay (Portuguese)

C3983-40006 Color LaserJet 8500 control panel overlay (French)

C3983-40007 Color LaserJet 8500 control panel overlay (German)

C3983-40008 Color LaserJet 8500 control panel overlay (Spanish)

C3983-40009 Color LaserJet 8500 control panel overlay (Dutch)

C3983-40010 Color LaserJet 8500 control panel overlay (Norwegian)

C3983-40011 Color LaserJet 8500 control panel overlay (Swedish)

C3983-40012 Color LaserJet 8500 control panel overlay (Finnish)

C3983-40013 Color LaserJet 8500 control panel overlay (Danish)

C3983-40014 Color LaserJet 8500 control panel overlay (Italian)

C3983-40015 Color LaserJet 8500 control panel overlay (Russian)

C3983-40016 Color LaserJet 8500 control panel overlay (Czechoslovakian)

Plate

106 RA0-0078-000CN Cover Plate - Small square plate on Left Rear Cover

Roller

107 RB1-6488-000CN Paper roller - White rollers on door assembly under tray 1 on right side of printer

Sensor

108 RG5-3057-020CN Density sensor assembly

Spring

109 RB1-6486-000CN Lever spring - Provides tension for door lever release

110 RB1-9798-000CN Torsion spring - Provides tension for Tray 1



External Case Parts

Spring

- 111 RS5-2719-000CN Compression spring - Holds tension on fan cover latch

Stop

- 112 RA0-0073-000CN Paper stop - Flip-up paper stop on top output tray

Strap

- 113 RB1-4497-000CN Door strap - Stops front swing out door from opening too far
114 RB1-6484-000CN Support strap - Supports door when open

Tray

- 115 RB1-6491-000CN Face-up output tray - At upper left side

Feeder Assembly Parts

Arm

- 116 RB1-6417-000CN Registration paper sensor arm - Senses paper in registration assembly

Spring

- 117 RB1-6409-000CN Sensor arm spring - Holds tension on paper feeder sensor arm

Interface Board Parts

PC Board (Interface)

- J3110-69001 JetDirect 600N EIO internal print server 10Base-T LAN interface board - Has one RJ-45 connector - (J3110A) - NOTE: EIO Interface Boards are NOT Interchangeable with MIO Boards
- J6057-69001 New Part for J3110-69001*
- J3111-69001 JetDirect 600N EIO internal print server 10Base-T, 10BASE-2, and LocalTalk LAN interface board - Has one RJ-45, BNC, and 8-pin DIN connector - (J3111A) - NOTE: EIO interface boards are NOT interchangeable with MIO boards REQUIRES RETURN OF DEFECTIVE PART
- J3111-61001 New Part for J3111-69001*

Internal Components

Bushing

- 120 RS5-1119-000CN Bushing
121 RS5-1317-000CN Release handle support bushing

Cable

- 122 RG5-3097-000CN Main cable (Large)
123 RG5-3104-000CN Delivery cable - To top face-down output bin paper full sensor PS10
124 RG5-3144-000CN Toner sensor cable
125 RG5-3147-000CN Delivery connector cable
126 RG5-3921-000CN DC power cable - From main power supply - J201 to J103
127 RG5-3922-000CN Power signal cable
128 RG5-3923-000CN Carousel cable - Carousel to DC controller
129 RG5-3942-000CN Main motor cable - DC controller to motor M4

Clutch

- 130 RH7-5168-000CN Transfer belt electromagnetic clutch

Contact Assembly

- 131 RG5-3044-000CN Transfer drum contact assembly - Electrical connection for image transfer belt assembly

Cover

- 132 RA0-0026-000CN Inner cover
133 RA0-0027-000CN Inner cover
134 RA0-0074-000CN Right rear lower corner cover
135 RB1-9403-000CN Gear cover

**Internal Components****Cover**

136	RB1-9789-000CN	Carousel stop cover
137	RB1-9805-000CN	Cable cover - L shaped cover
138	RB1-9948-000CN	Cable cover
139	RF0-0013-000CN	Inner cover
140	RG0-0104-000CN	Inner left cover assembly - Panel assembly with color toner cartridge access door

Drive Assembly

141	RG5-3066-080CN	Main gear drive assembly
-----	----------------	--------------------------

Drum

142	RG5-3039-140CN	Image transfer drum assembly
-----	----------------	------------------------------

Duct

143	RB1-9401-000CN	Air duct - Rear lower air duct - Fan 2 duct
144	RB1-9682-000CN	Air duct - Deflects air from fan 1

End Cap

145	RA0-0083-000CN	Waste toner collection tray end cap - Rectangle grill piece below blue button
	RG9-1495-000CN	<i>New Part for RA0-0083-000CN</i>

Fan

146	RH7-1330-020CN	Exhaust fan - Fan FM1
147	RH7-1373-000CN	Intake fan (FM2)

Gear

148	RB1-9424-000CN	Gear - 11 tooth
149	RB1-9955-000CN	Gear - 14 tooth - Left side
150	RB1-9956-000CN	Gear - 14 tooth - Right side

Holder

151	RF5-2025-000CN	Fan holder - Supports fan FM2
152	RG5-3031-000CN	Connector holder assembly - Photo drum sensor holder
153	RG5-3111-040CN	Transfer drum cleaner holder assembly - Frame and support bushings for black drum cleaning roller

Kit

154	RG9-1527-020CN	ICL Arm kit - Includes stopper arm, E-Clip, tension spring and bushings
-----	----------------	---

Knob

155	RB1-9928-000CN	Media jam knob - Green knob in lower right corner of front
-----	----------------	--

Laser/Scanner

156	RG5-3936-000CN	Laser/scanner assembly
-----	----------------	------------------------

Latch

157	RF0-0003-000CN	Double roller latch - Holds front door plunger
-----	----------------	--

Lever

158	RB1-9580-000CN	Registration roller lever
-----	----------------	---------------------------

Lever Assembly

159	RG5-3045-000CN	Pressure lever assembly
160	RG5-3046-020CN	Transfer drum lever assembly
161	RG5-3087-000CN	Black cartridge release lever assembly

Motor

162	RH7-1325-000CN	Carousel motor
163	RH7-1499-000CN	Main motor

**Internal Components****Mount**

- 164 RB1-9828-000CN Clutch mount - Mount for transfer belt clutch - CL4
165 RG5-3008-000CN Image transfer belt mount

PC Board

- 166 C3983-69005 High voltage converter 1 PCA - Controls cartridge motor, imaging drum bias and developing bias
167 C3983-69008 High voltage converter 2 PCA - Controls transfer drum, cleaning roller transfer belt and upper fusing roller
168 RG5-3961-000CN Cartridge release lever PCA
169 RG5-3965-000CN High voltage separation discharge converter module
170 RH3-0234-000CN Separation discharge high-voltage converter PCA - Controls transfer charger

Pivot

- 171 RG5-3010-000CN Transfer Swing Assembly

Plate

- 172 RF5-2036-000CN Duct mount plate

Power Supply

- 173 RH3-2185-000CN Power supply assembly - 110VAC
174 RH3-2187-000CN Power supply assembly - 220VAC

Rail

- RB2-0005-000CN PC board rail
176 RF5-1396-000CN Tray 3 support rail
177 RG5-4371-100CN Tray rail assembly

Rod

- 178 RB1-6463-000CN Power switch rod - Link between power button and switch

Roller

- 179 RG5-3975-000CN Cleaning roller assembly - Black roller above static charge eliminator - Cleans excess toner from drum

Sensor

- 180 RG5-3034-000CN Color toner sensor PCA assembly
181 RG5-3080-000CN Photosensor PCA - Senses rotation of toner carousel
182 RG5-3131-000CN Sensor slider assembly
183 RG5-3934-000CN Waste toner sensor assembly
184 RG5-3992-000CN Fusing delivery sensor PCA - Senses paper exiting fuser
185 WG8-5362-000CN Optical sensor

Shield

- 186 RG5-3023-000CN Formatter board shield case assembly

Solenoid

- 187 RG5-3022-070CN Face-up solenoid assembly

Spring

- 188 RB1-6909-000CN Leaf spring - Tray size sensor for Tray 2
189 RB1-9675-000CN Compression spring - Provides tension for toner cartridge in toner carousel
190 RS5-2465-000CN Tension spring - Provides tension for power switch rod
191 RS5-2697-000CN Spring - Provides tension for left side of cleaning roller
192 RS5-2698-000CN Spring - Provides tension for right side of cleaning roller

Static Dissipater

- 193 RG5-3973-000CN Static charge dissipater assembly - Blue plastic piece above transfer belt assembly
RG9-1495-000CN *New Part for RG5-3973-000CN*

**Internal Components****Stop**

194 RG5-3053-000CN Carousel stop assembly - SL5 assembly

Support

195 RG5-3089-040CN Cassette crossmember assembly - Metal tray support roller crossmember

Switch

196 WC4-5136-000CN Black toner cartridge switch - Detects when black cartridge is in correct position

197 WC4-5150-000CN Toner cartridge cover switch

Tray

198 RB1-9804-000CN Waste toner tray - Pull-out waste toner collection tray

RG9-1495-000CN *New Part for RB1-9804-000CN*

Logic/Control Electronics**Drive (Product)**

C2985A 2.1GB hard drive - LaserJet EIO font/print job storage
NO LONGER SUPPLIED

C2985B *New Part for C2985A*

C2985B 3.2GB hard drive - DesignJet or LaserJet EIO font/print job storage

PC Board

C3983-69001 Formatter PCA
REQUIRES RETURN OF DEFECTIVE PART

C3983-67905 *New Part for C3983-69001*

202 C3983-69010 Printer controller PC board assembly
REQUIRES RETURN OF DEFECTIVE PART

RG5-3037-200CN *New Part for C3983-69010*

203 C7096-69010 Subrelay PC board

RG5-3085-000CN *New Part for C7096-69010*

204 RG5-1845-000CN Paper size sensor board - Used to sense paper size in upper and lower paper trays

205 RG5-1860-000CN Paper pickup board - Includes 8 photosensors

206 RG5-1884-000CN Multipurpose paper tray board - Includes paper sensors PS1301 and PS1302

207 RG5-3036-000CN Main relay PCA

208 RG5-3084-020CN Carousel motor controller board - Controls motor M1

209 RG5-3085-000CN Sub-relay PC board

Sensor

210 WG8-5210-000CN Photo sensor

Mailbox Components**Bin**

211 C3764-60505 Face up output bin - Top bin on multi-bin mailbox

212 C4785-60502 Single paper output bin - For the multi-bin mailbox assembly

Caster

213 C4785-60510 Fixed caster - Non-adjustable height caster

214 C4785-60511 Fixed caster - Adjustable height caster

Clip

215 C4785-60512 Multibin mailbox attachment clip

Cover

216 C3764-60555 Top cover

217 C4785-60503 Blind cover - Covers space trays and face-up bin - Home position cover for head assembly

**Mailbox Components****Cover**

- 218 C4785-60504 Front cover - Front side cover
219 C4785-60505 Side cover - Back side cover

Extension

- C4785-60531 C-link cable adapter extension - Used when no input device is used with 8-bin or 5-bin mailbox

Flipper

- 221 C4785-60540 Flipper assembly (with cable) - Moves paper from printer to face down mailbox tray or the face up bin on top - Includes firmware chip

Guide

- 222 C3764-60561 Paper input guide - Mounted in top of multi-bin mailbox

Head Assembly

- 223 C4785-60523 Head assembly - Moves paper up and down the mailbox to the correct mailbox bin

Kit

- C4785-60513 Repackaging kit
225 C4785-60516 Attachment kit - Attachment rod, bracket and cables
226 C4785-60519 Plastic parts kit - Contains paper anticurl spring/strings, small bottom pulley, flat cable holder, edge and gasket
227 C4785-60520 Cable kit - Includes interlock switch, head motor cable, flipper sensor, encoder, motor controller cables, ESD cable, and delivery head assembly flat cable

LED

- 228 C4785-60515 Status LED display - With cable

Lock

- C4787-60503 Shipping lock kit - For 8-bin and 5-bin mailboxes

Mailbox

- 230 C4787-69506 5-bin mailbox - Used when stapler option is present
REQUIRES RETURN OF DEFECTIVE PART
C4787-60510 *New Part for C4787-69506*

Motor

- 231 C4785-60518 Transport belt motor - Includes fan

PC Board

- 232 C4785-60514 Diagnostic LED display board - With cable
233 C4785-60539 Mailbox controller PCA

Power Supply

- C4785-60501 Mailbox power supply

Roller Kit

- C4785-60526 Flipper assembly roller kit - Includes 6 black flipper rollers

Stapling Unit

- C4787-69513 Stapling unit - Includes top cover, bed assembly, and board
REQUIRES RETURN OF DEFECTIVE PART
C4787-60513 *New Part for C4787-69513*

Tape

- C4785-60507 Metallic tape and housing assembly - Narrow tape version used with the double belt transport belt system
238 C4785-60524 Metallic tape and housing assembly - Wide tape version used with the single belt transport belt system



Optional Interfaces

Interface (Product)

J3110A	Ethernet 10Base-T (RJ-45) EIO network internal print server PC board
J3111A	Ethernet 10Base-T/10Base2 and LocalTalk (RJ-45, BNC, LocalTalk) EIO network PCA
J3112A	JetDirect 600N token ring LAN interface board - DB-9 and RJ-45 connectors NO LONGER SUPPLIED
J3113A	JetDirect 600N internal print server (10Base-T and 100Base-TX) LAN interface board - Plugs into peripheral EIO slot
J4167A	JetDirect 610N token ring LAN interface board - DB-9 and RJ-45 connectors
J4169A	JetDirect 610N internal print server (10Base-T and 100Base-TX) LAN interface board - Plugs into peripheral EIO slot - Has a RJ-45 connector - Comes with software on CD-ROM and manual

PC Board (Interface)

J3112-69001	JetDirect 600N EIO internal print server token ring LAN interface board - Has one RJ-45 and DB-9 connector
J4167-69001	<i>New Part for J3112-69001</i>
J3113-69001	JetDirect 600N EIO internal print server 10Base-T and 100Base-T LAN interface board - Has one RJ-45 connector

Optional Paper Trays

Guide

RF5-1484-000CN	Paper size guide/stop - For upper or lower paper input tray
----------------	---

Mailbox

C4787A	5-bin mail box with stapler - Holds 2100 sheets of paper used with 5Si family, mopier and 8000 printers
--------	---

Tray

C4780A	HP LaserJet 8000 and 8100 Series Optional 1000 (2 x 500) sheet paper trays (Trays 4 & 5) - Holds up to 1000 sheets of letter, legal, tabloid/ledger, A3, A4, B, or B4 size paper - Does NOT include paper handling PCA
C4781A	HP LaserJet 8000, 8100, and 5Si Series Optional 2000 sheet paper tray (Tray 4) - Holds up to 2000 sheets of letter, legal, tabloid/ledger, A3, A4, B, or B4 size paper - Does NOT include paper handling controller board
C4785A	8 bin mail box - Holds 2600 sheets of paper - Used with 2000 sheet paper tray or printer cabinet
R98-1004-000CN	Lower paper input tray (Tray 3) - 500 sheet capacity - For letter, legal, 11 x 17 inch (B-size), A4 (210MM x 297MM), A3 (297MM x 420MM) and B4 (257MM x 364MM) size paper
R98-1005-000CN	Upper input paper tray (Tray 2) - 500 sheet capacity - For letter, legal, and A4 (210MM x 297MM) size paper

Other Accessories

Cartridge

C4149A	Black toner cartridge - Contains toner and developer
C4150A	Cyan toner cartridge - Contains toner and developer
C4151A	Magenta toner cartridge - Contains toner and developer
C4152A	Yellow toner cartridge - Contains toner and developer

Cleaning Supplies

5090-3379	Toner cleaning cloth - Specially treated cloth for absorbing toner (1 per package) - Ideal for cleaning up toner spills
-----------	---

Duplexer

C4782-69501	Duplexer assembly - For 2 sided printing capability REQUIRES RETURN OF DEFECTIVE PART
C4782-60501	<i>New Part for C4782-69501</i>

Film (Transparency)

C2936A	Color LaserJet transparency film - A4 size (21.0cm x 29.7cm) - 50 sheets per box
C2934A	Color LaserJet transparency film - A size (8.5 x 11-inches) - 50 sheets per box

Kit

C4153A	Imaging drum kit - Contains imaging drum, two air filters and toner cloth
C4154A	Transfer kit - Contains transfer belt, transfer drum, cleaning roller, charcoal filter and toner cloth
C4155A	Fusing assembly kit - 120V - Includes the fusing assembly, six paper pick-up/feed rollers, and toner cloth



Other Accessories

Kit

C4156A	Fusing assembly kit - 240V - Includes the fusing assembly, six paper pick-up/feed rollers, and toner cloth
R94-3001-410CN	Imaging drum kit - Contains imaging drum, two air filters and toner cloth
R95-3012-000CN	Fuser kit - Contains fuser assembly, six paper pick-up/feed rollers and toner cloth - 110 volt
R95-3013-000CN	Fuser kit - Contains fuser assembly, six paper pickup/feed rollers and toner cloth - 220 volt
R95-3014-000CN	Transfer kit - Contains transfer belt, transfer drum, cleaning roller, charcoal filter and toner cloth
RG9-1495-000CN	PEP (Product enhancement package) kit - Contains all service parts and instructions for installation of this kit

Manual

C7096-90986	Color LaserJet 8500 service manual
-------------	------------------------------------

Paper (Glossy)

C2974A	Glossy printer paper - A size (8.5 x 11-inches) - For high definition color printing - 50 sheets per box NO LONGER SUPPLIED
C4179A	Soft gloss color LaserJet paper - A size (8.5 x 11-inches) - 200 sheets per package
C4179B	Soft gloss color LaserJet paper - A4 size (21.0cm x 29.7cm) - 200 sheets per package

Software

C6072-60301	HP-GL/2 driver software for AutoCAD - For DOS and Windows 3.1/95/NT 4.0 - On 3.5-inch 1.44MB floppy disks (English)
C6072-60304	HP-GL/2 driver software for AutoCAD - For DOS and Windows 3.1/95/NT 4.0 - On 3.5-inch 1.44MB floppy disks (German)
C6072-60305	HP-GL/2 driver software for AutoCAD - For DOS and Windows 3.1/95/NT 4.0 - On 3.5-inch 1.44MB floppy disks (French)
C6072-60306	HP-GL/2 driver software for AutoCAD - For DOS and Windows 3.1/95/NT 4.0 - On 3.5-inch 1.44MB floppy disks (Spanish)
C6072-60307	HP-GL/2 driver software for AutoCAD - For DOS and Windows 3.1/95/NT 4.0 - On 3.5-inch 1.44MB floppy disks (Italian)

Paper Path Parts

Arm

280	RA0-0112-000CN	Paper height lever - Senses amount of paper in face-down top paper output tray
-----	----------------	--

Connector

281	RG5-3030-000CN	Connector block assembly for fuser
-----	----------------	------------------------------------

Cover

282	RB2-0057-000CN	Lower left door
-----	----------------	-----------------

Delivery

283	RG0-0110-140CN	Delivery assembly - Feeds paper to top face down output tray
284	RG5-3108-170CN	Delivery cover assembly - Lower left door assembly - With face-up output roller and flapper/diverter

Feed Assembly

285	RG5-3059-070CN	Feeder assembly
-----	----------------	-----------------

Fusing Assembly

286	C7096-69007	Fusing assembly (120V, 60Hz) - Bonds toner to paper by heat
287	C7096-69013	Fusing assembly (240V, 50Hz) - Bonds toner to paper by heat REQUIRES RETURN OF DEFECTIVE PART
	RG5-3061-060CN	New Part for C7096-69013

Holder

288	RB1-9751-000CN	Flapper/diverter holder - Connection between face-up/face-down diverter and solenoid SL2
-----	----------------	--

Lever

289	RB1-6692-000CN	Paper sensing lever - Senses paper in face down delivery assembly
290	RB1-9704-000CN	Fusing locking lever - Blue lever on right side of fuser

**Paper Path Parts****Lever**

- 291 RB1-9705-000CN Fusing locking lever - Blue lever on left side of fuser
292 RB1-9748-000CN Fuser release lever - Green lever on right side of fuser

Pad

- 293 RF5-1989-000CN Separation pad for tray 1 paper pickup assembly

Pickup Assembly

- 294 RG5-3054-000CN Tray 1 paper pickup assembly

Roller

- 295 RB1-9526-000CN Pickup roller - Used in tray 1 paper pickup assembly

Roller/Holder

- 296 RG5-3009-000CN Registration roller assembly - Both registration rollers and registration clutch

Sensor

- 297 WG8-5210-000CN Photo sensor

Support

- 298 RB1-9800-000CN Crossmember support
299 RF5-2701-060CN Access door struts - Attached to each side of diverter door assembly

Transfer Assembly

- 300 RG5-3047-000CN Transfer belt assembly - Transfers image from transfer drum

Tray Assembly

- 301 RG5-3134-000CN Multi-purpose paper input tray assembly (MP Tray, Tray 1)

Paper Pick-up Assembly**Arm**

- 302 RB1-6557-000CN Paper input unit sensor arm - Senses when paper passes through paper input unit

Cable

- 303 RG5-1859-000CN Sensor cable - PIU PS2 sensor cable - J13 to J1205

Motor

- 304 RH7-1350-000CN Paper input motor

Pickup Assembly

- 305 C7096-69009 Paper pickup assembly
REQUIRES RETURN OF DEFECTIVE PART
RG5-3132-270CN New Part for C7096-69009

Pin

- 306 RB1-0153-000CN Pivot plate torsion spring pin

Roller

- 307 RF5-1834-000CN Feed/separation roller - Has a blue gear on one end and blue release tab on the other - Mounts in the paper pickup assembly (4 used)
308 RF5-1835-000CN Pickup roller assembly - Has attached black plastic gear - Mounts in the paper input unit (two Used)

Sensor

- 309 WG8-0291-000CN Photo sensor

Spring

- 310 RB1-6558-020CN Sensor arm torsion spring - Holds tension on PIU paper sensor arm
311 RB1-6589-000CN Torsion spring - Provides tension for the pivot plate



Registration Frame

Arm

312 RB1-6417-000CN Registration paper sensor arm - Senses paper in registration assembly

Cover

313 RB1-9586-000CN Photosensor PCA cover

Frame

314 RG5-3007-000CN Registration frame assembly

Sensor

315 RG5-3032-000CN Photosensor PCA - Overhead transparency sensor

316 RG5-3079-000CN Photosensor PCA - Overhead transparency sensor

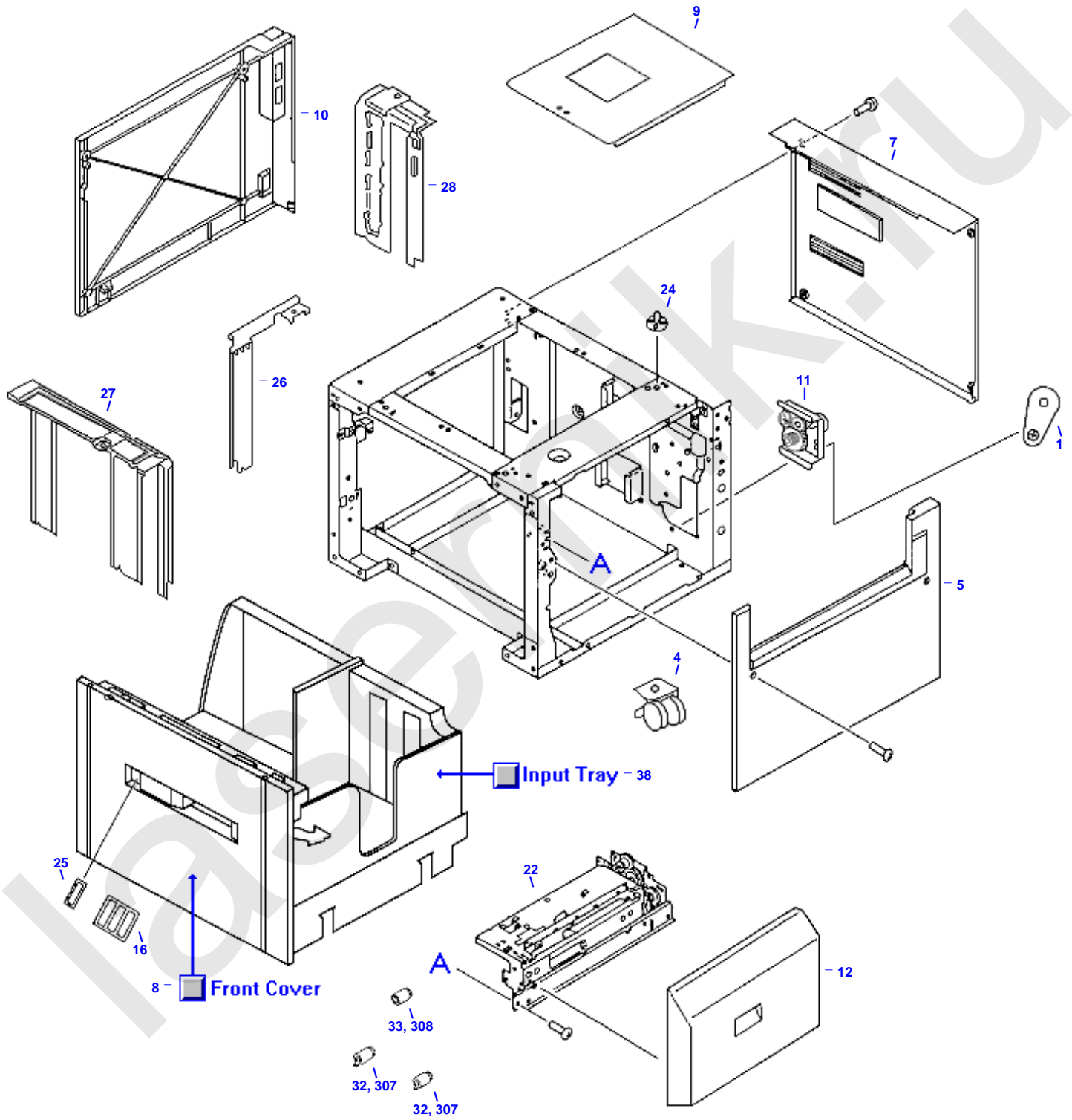
317 WG8-5210-000CN Photo sensor

Spring

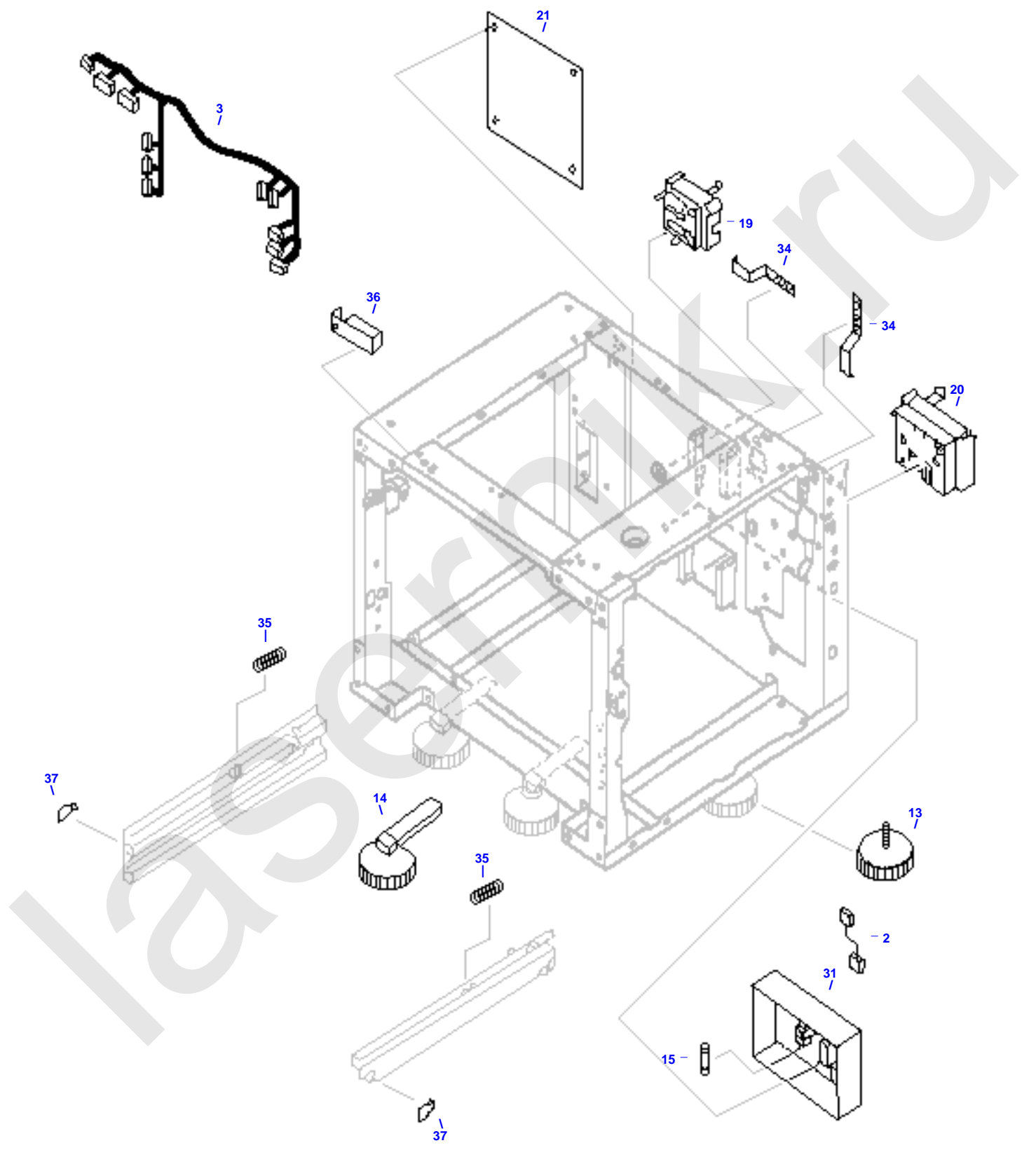
318 RB1-6409-000CN Sensor arm spring - Holds tension on paper feeder sensor arm

laser.nik.ru

2000 Sheet Input Tray (1 of 2)

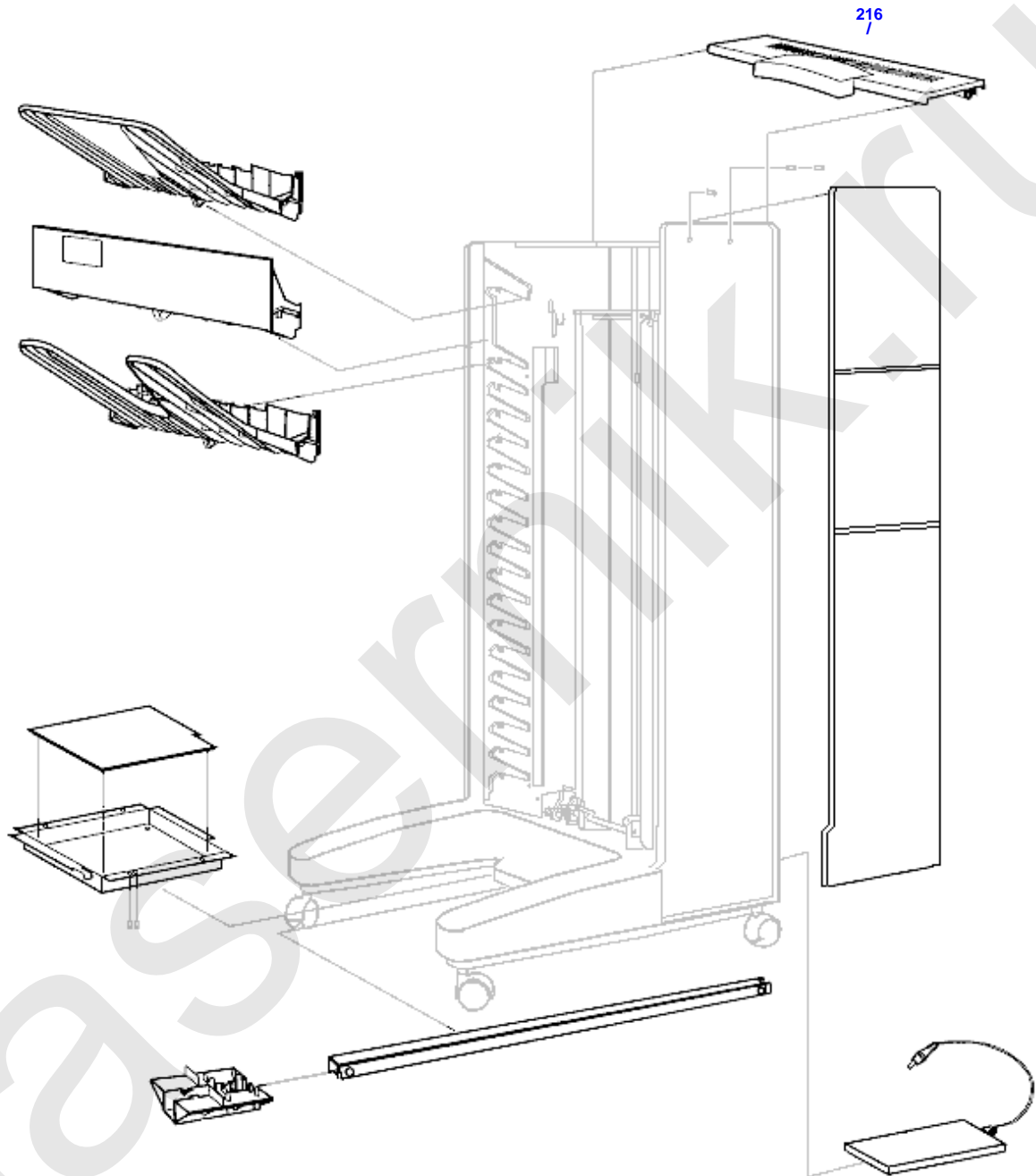


2000 Sheet Input Tray (2 of 2)



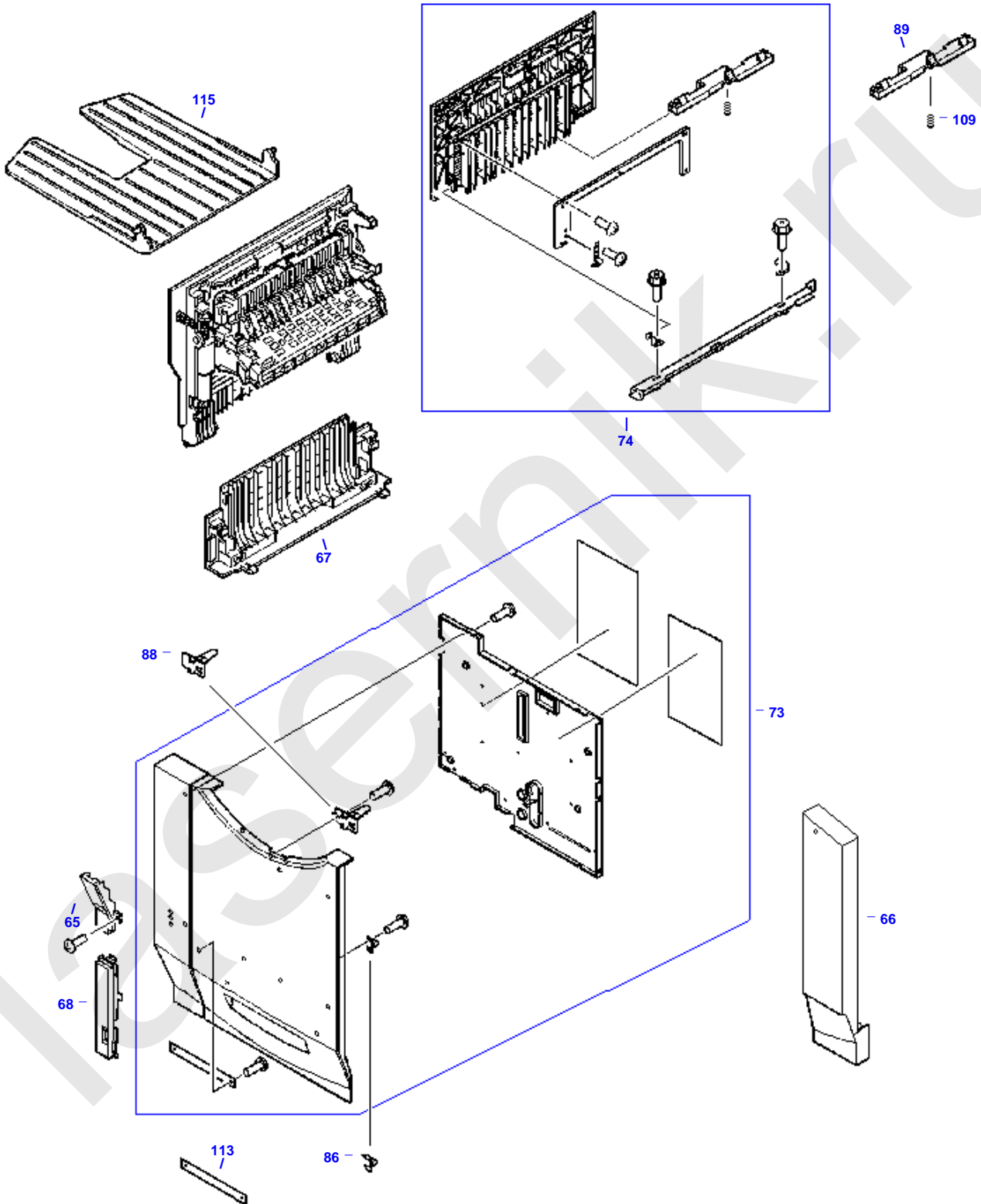
C3764A Multi-Bin Mailbox (1 of 3)

2 of 3 →



Covers and Panels (1 of 3)

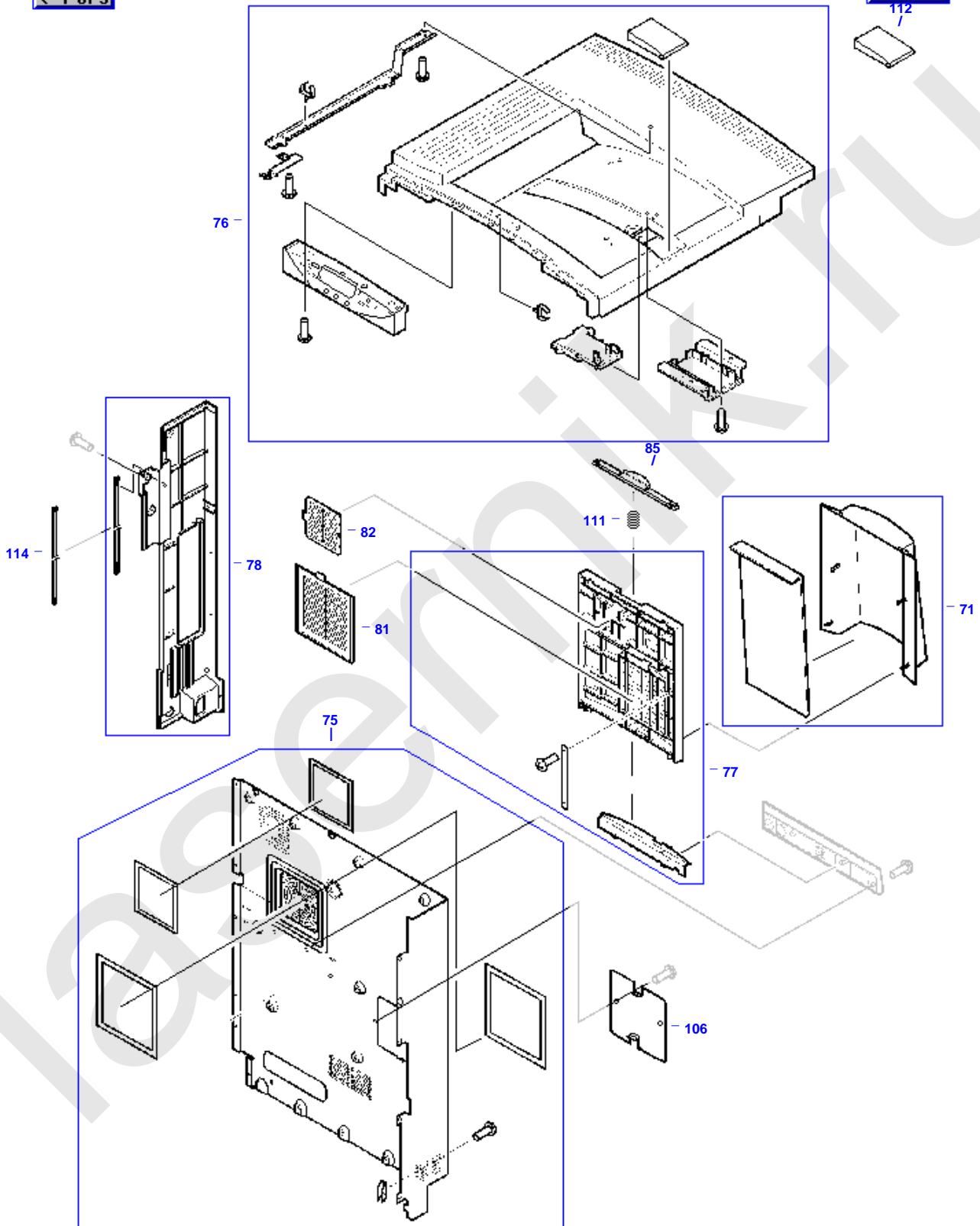
2 of 3 →



Covers and Panels (2 of 3)

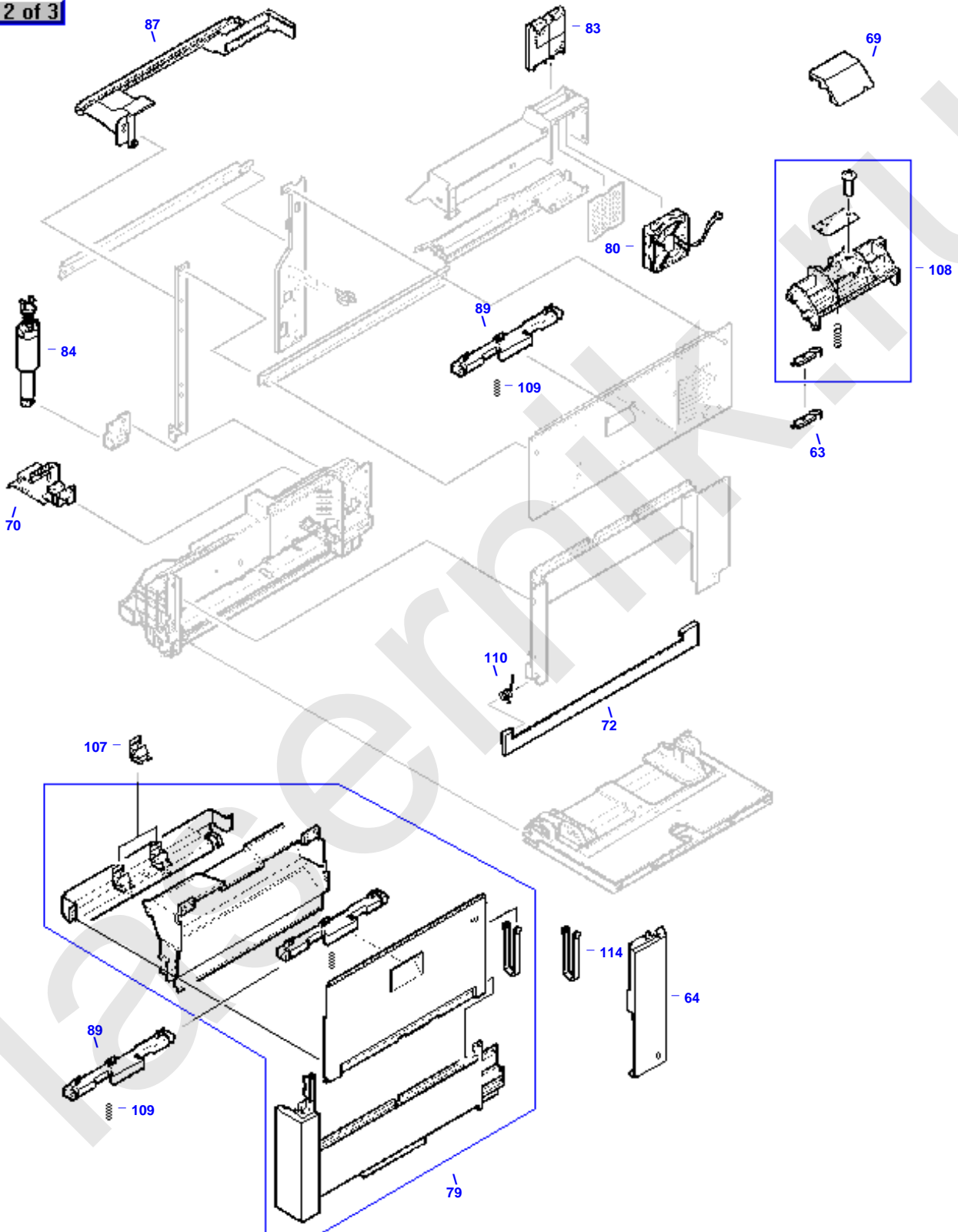
← 1 of 3

3 of 3 →



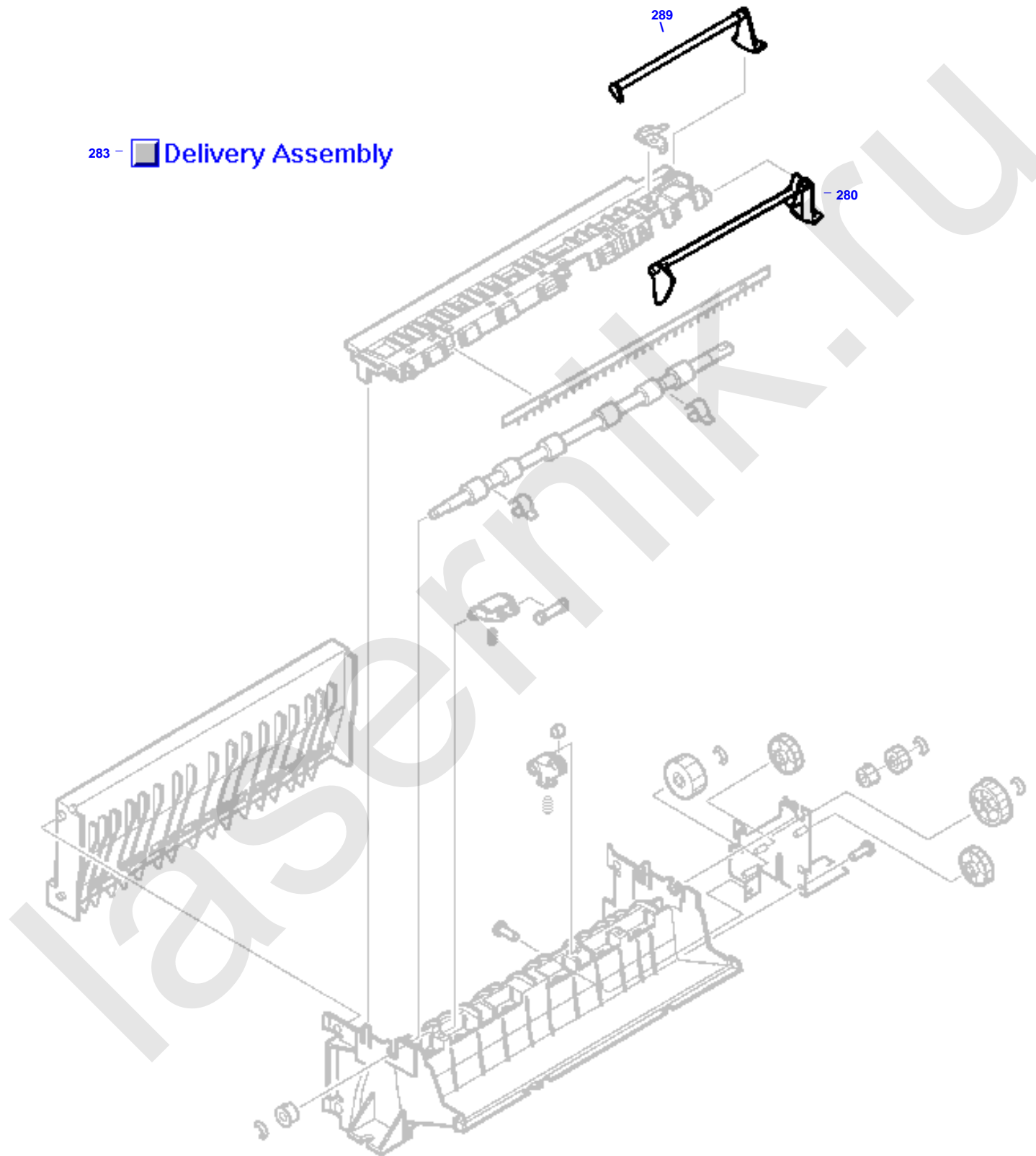
Covers and Panels (3 of 3)

← 2 of 3

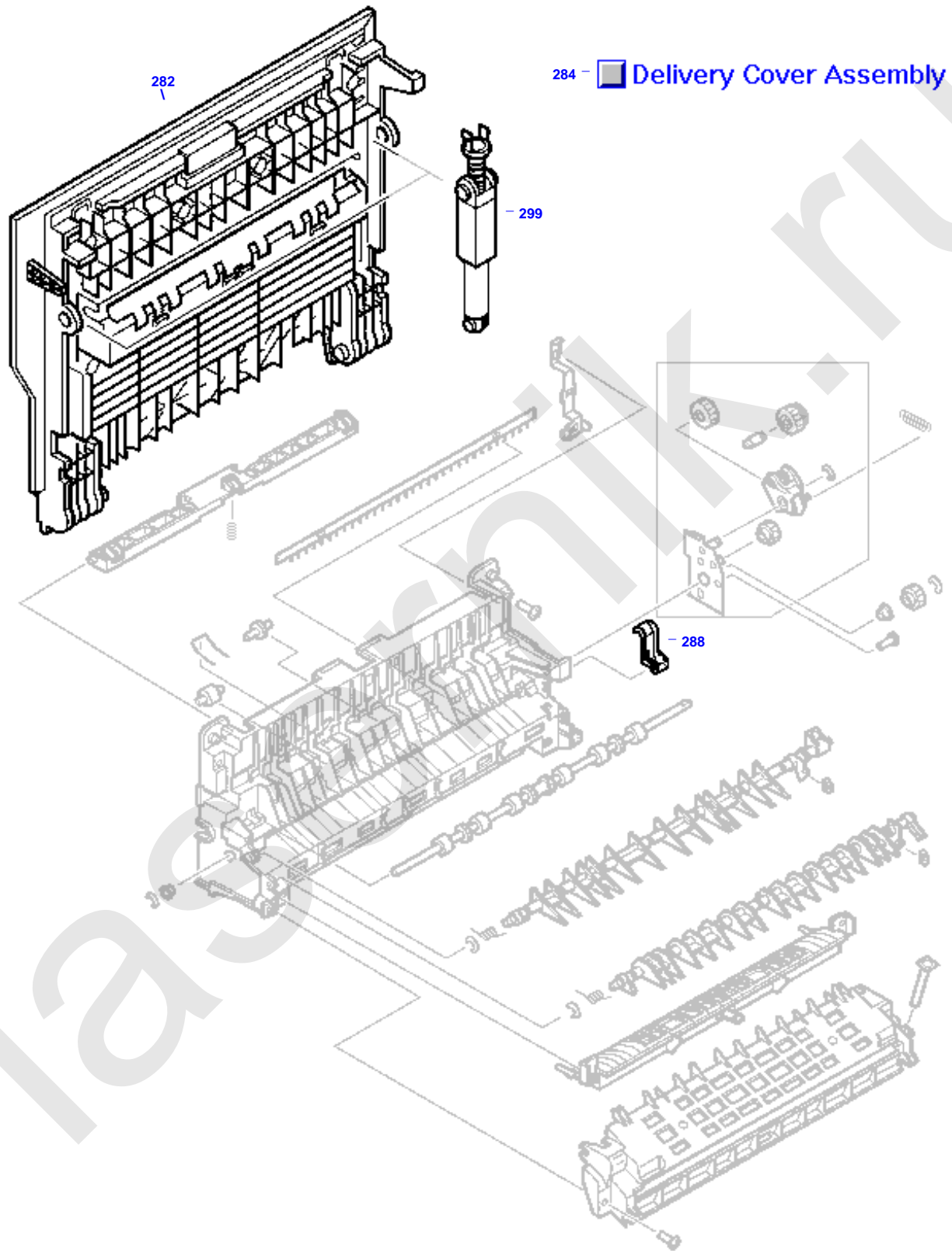


Delivery Assembly

283 -  Delivery Assembly

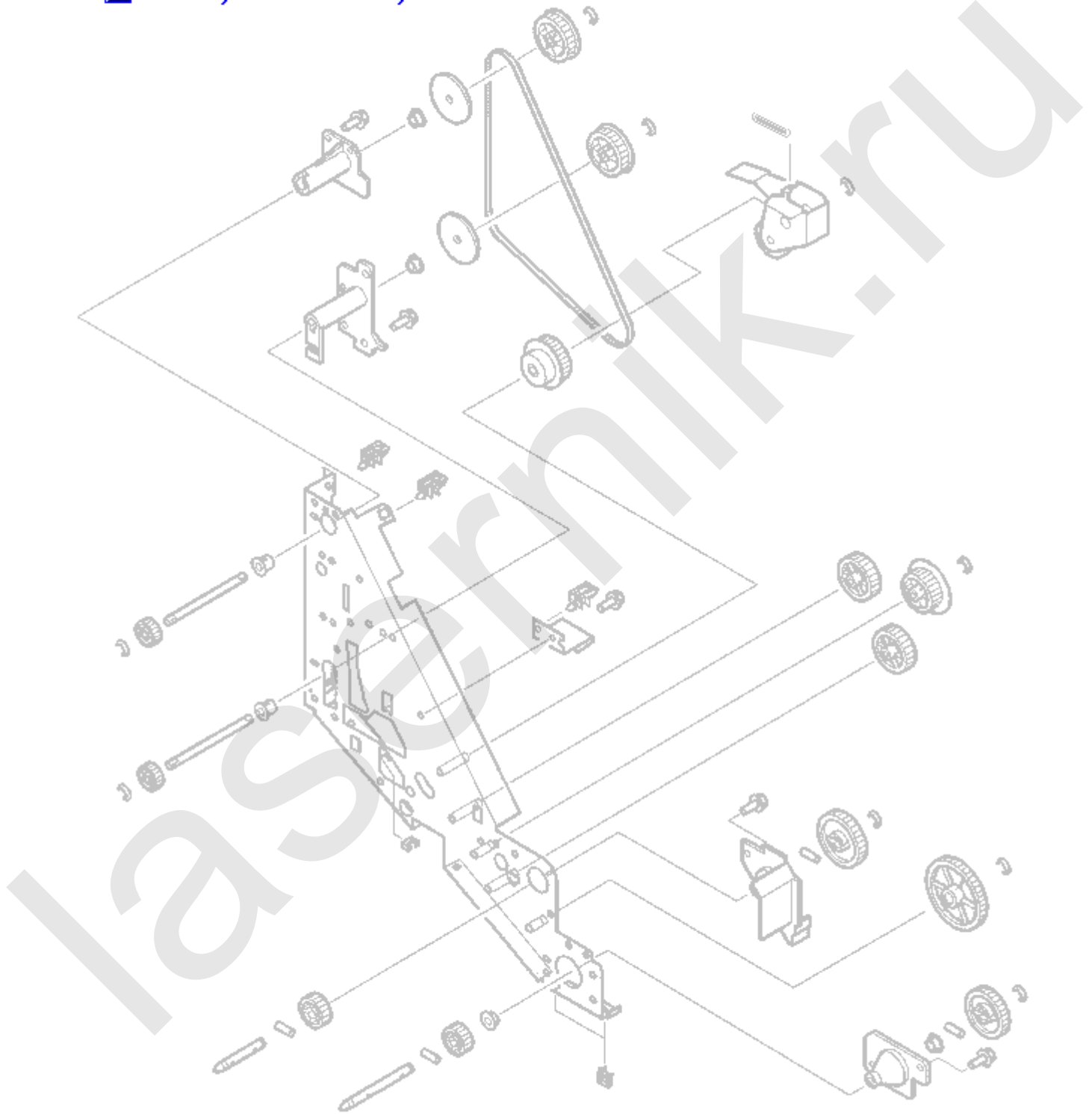


Delivery Cover Assembly



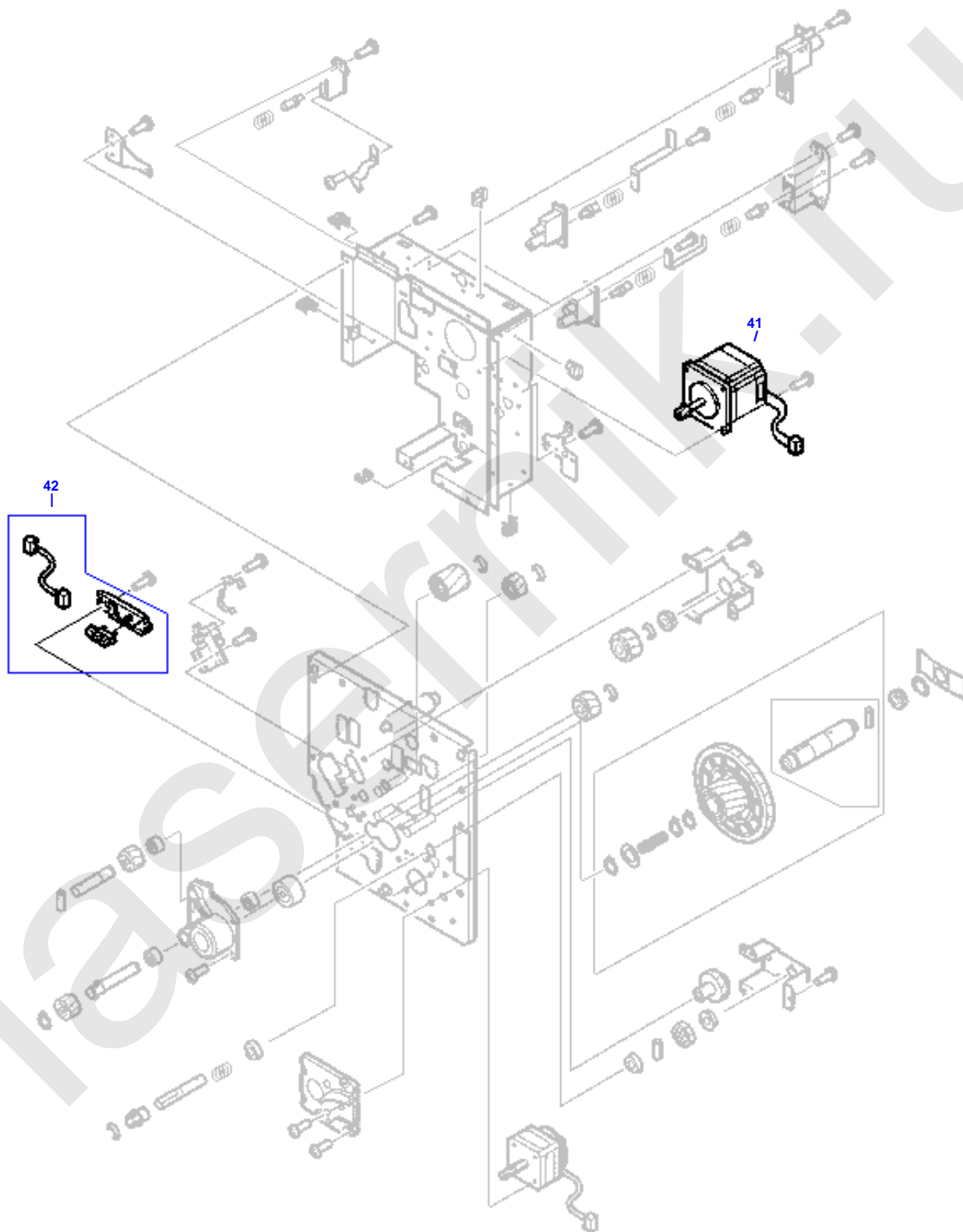
Delivery Drive Assembly

39 -  Delivery Drive Assembly



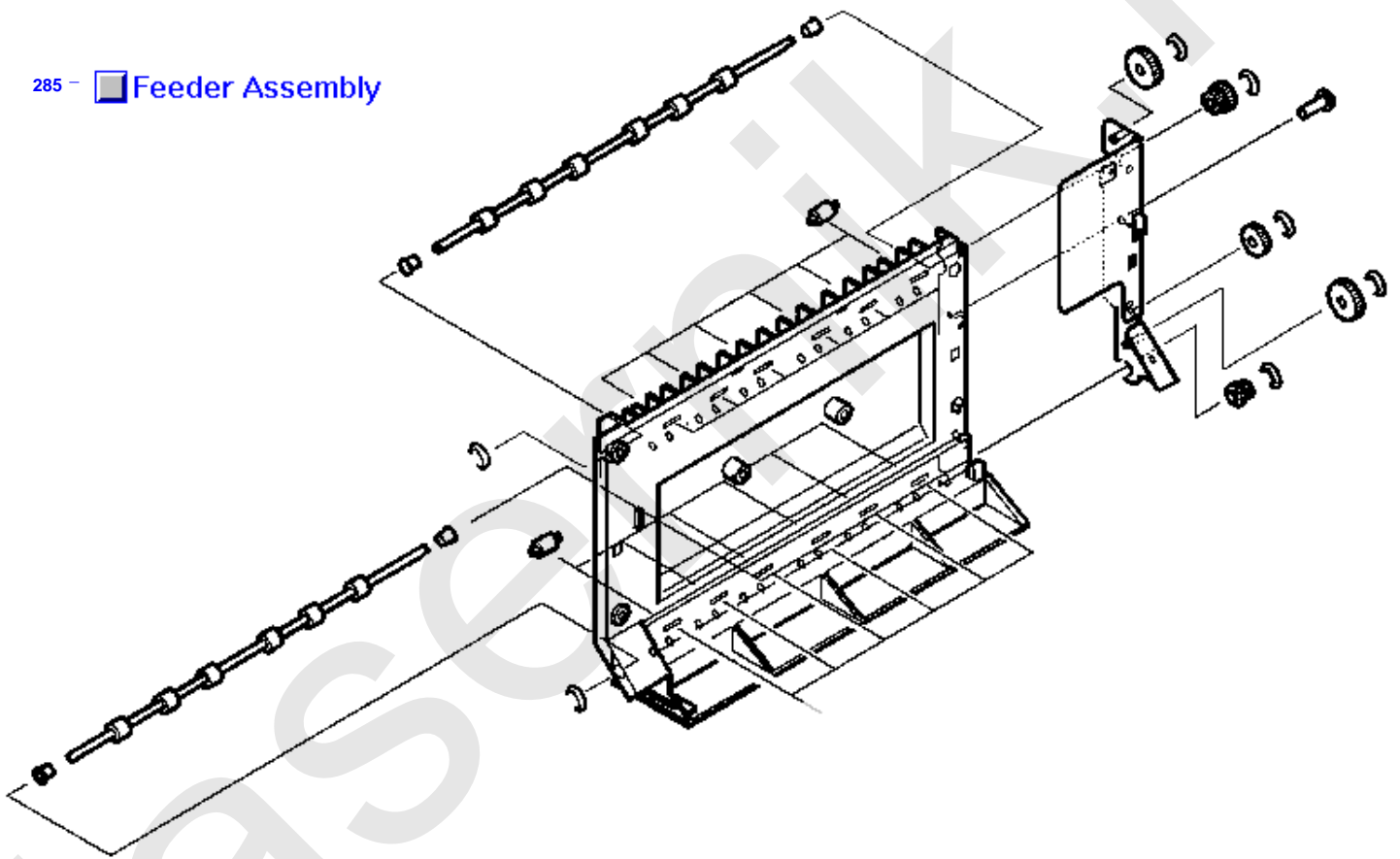
Drum/Cartridge Drive Assembly

40 -  Drum/Cartridge Drive Assembly



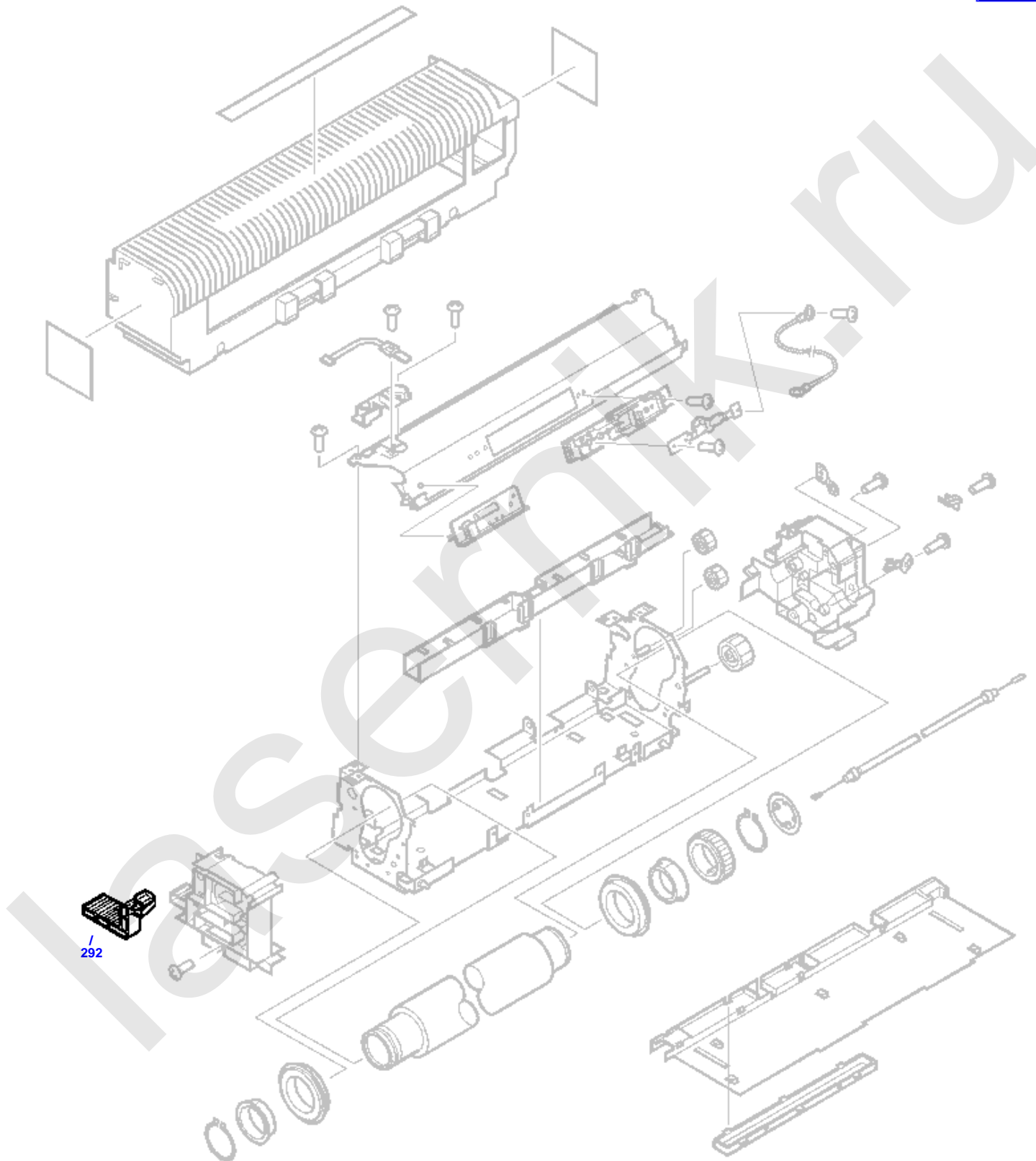
Feeder Assembly

285 -  Feeder Assembly



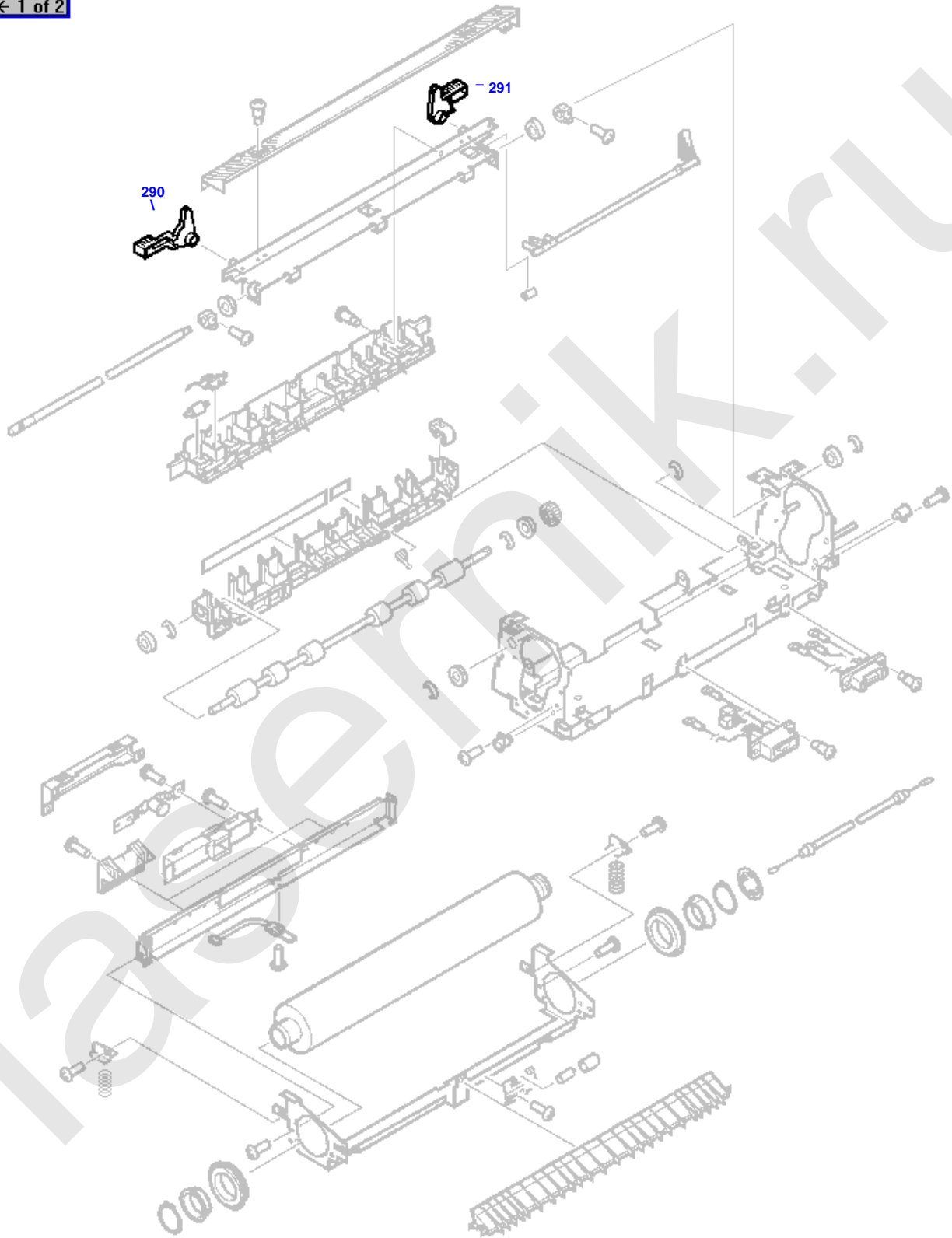
Fuser Assembly (1 of 2)

2 of 2 →

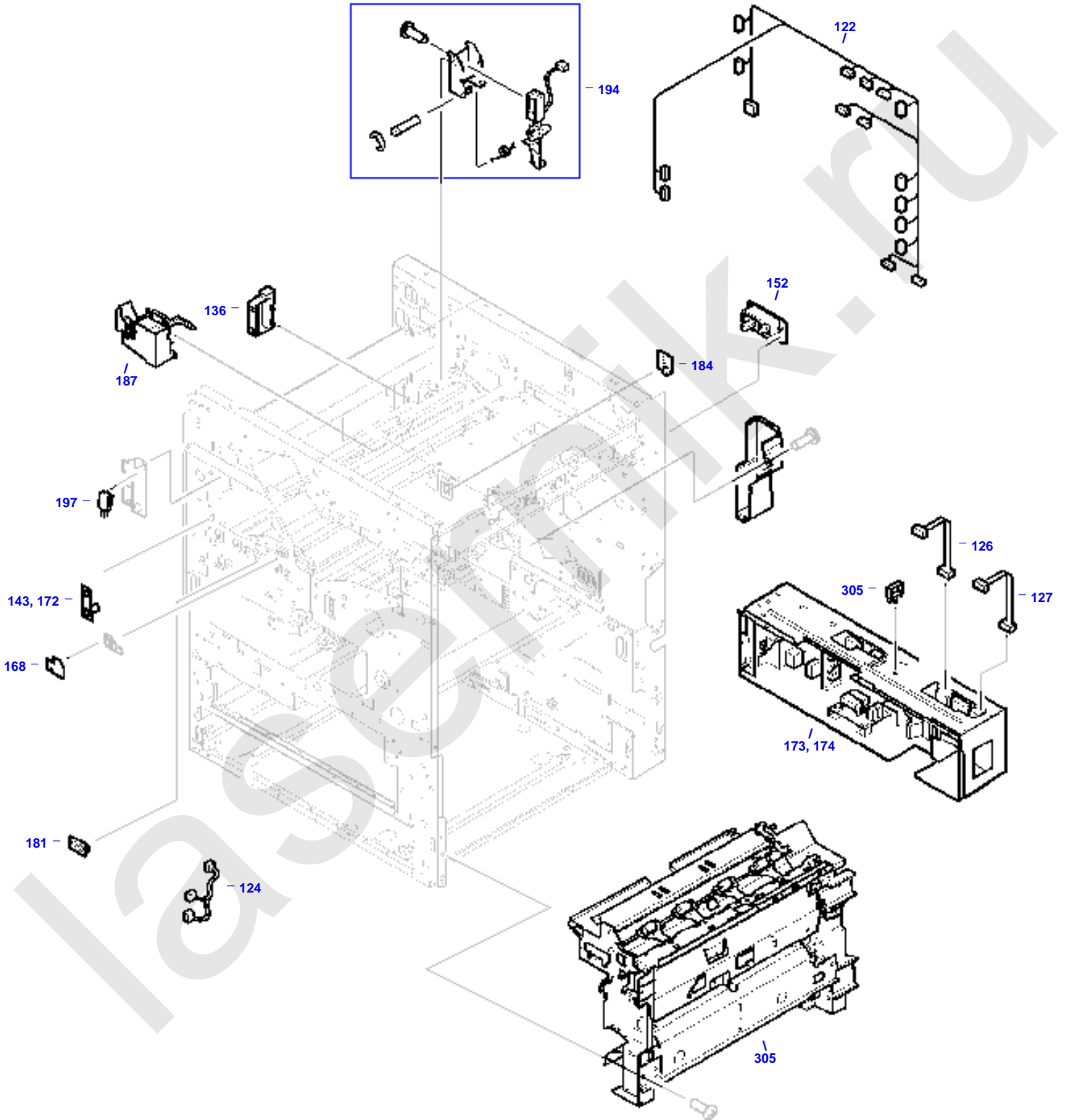


Fuser Assembly (2 of 2)

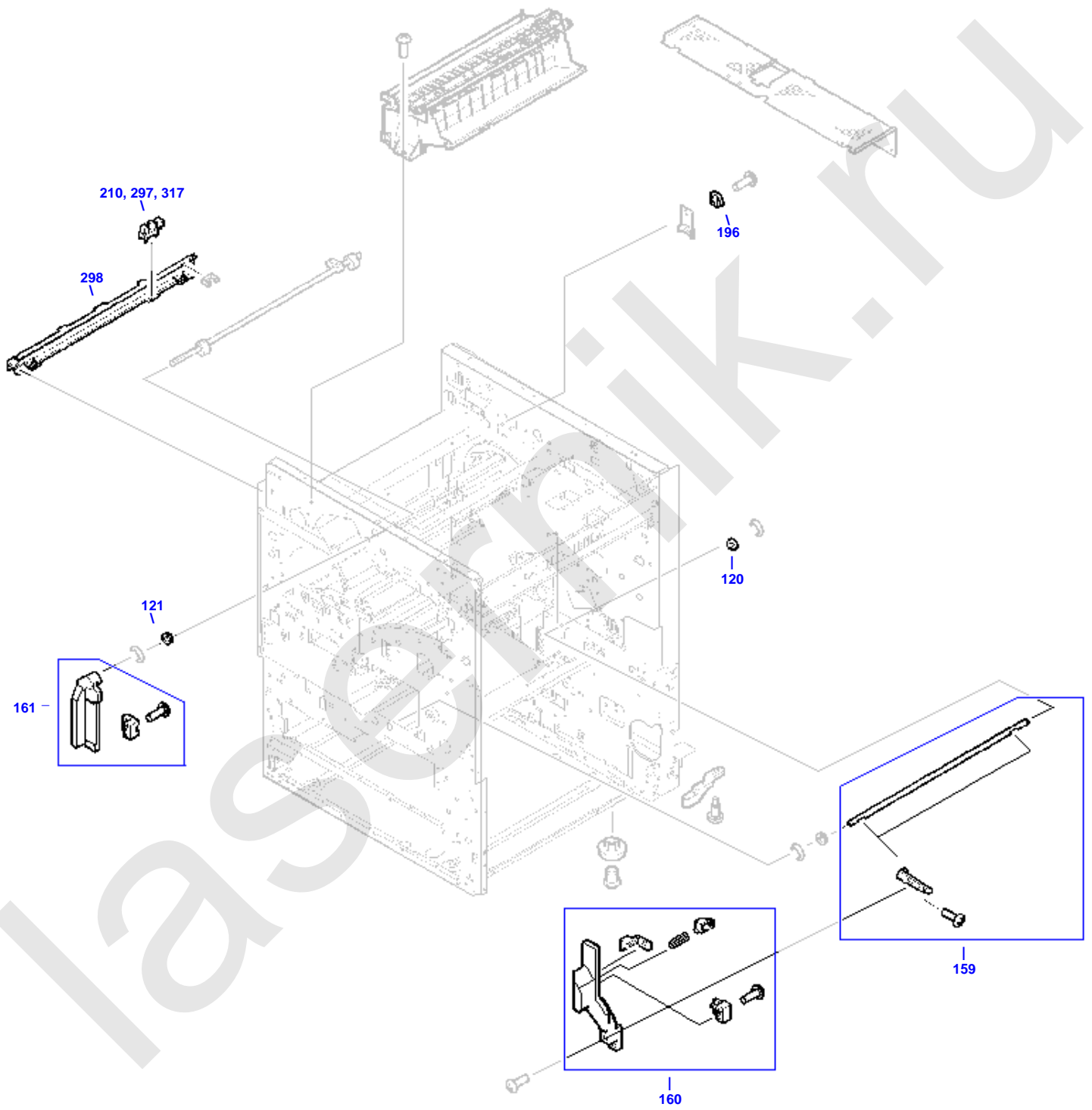
← 1 of 2



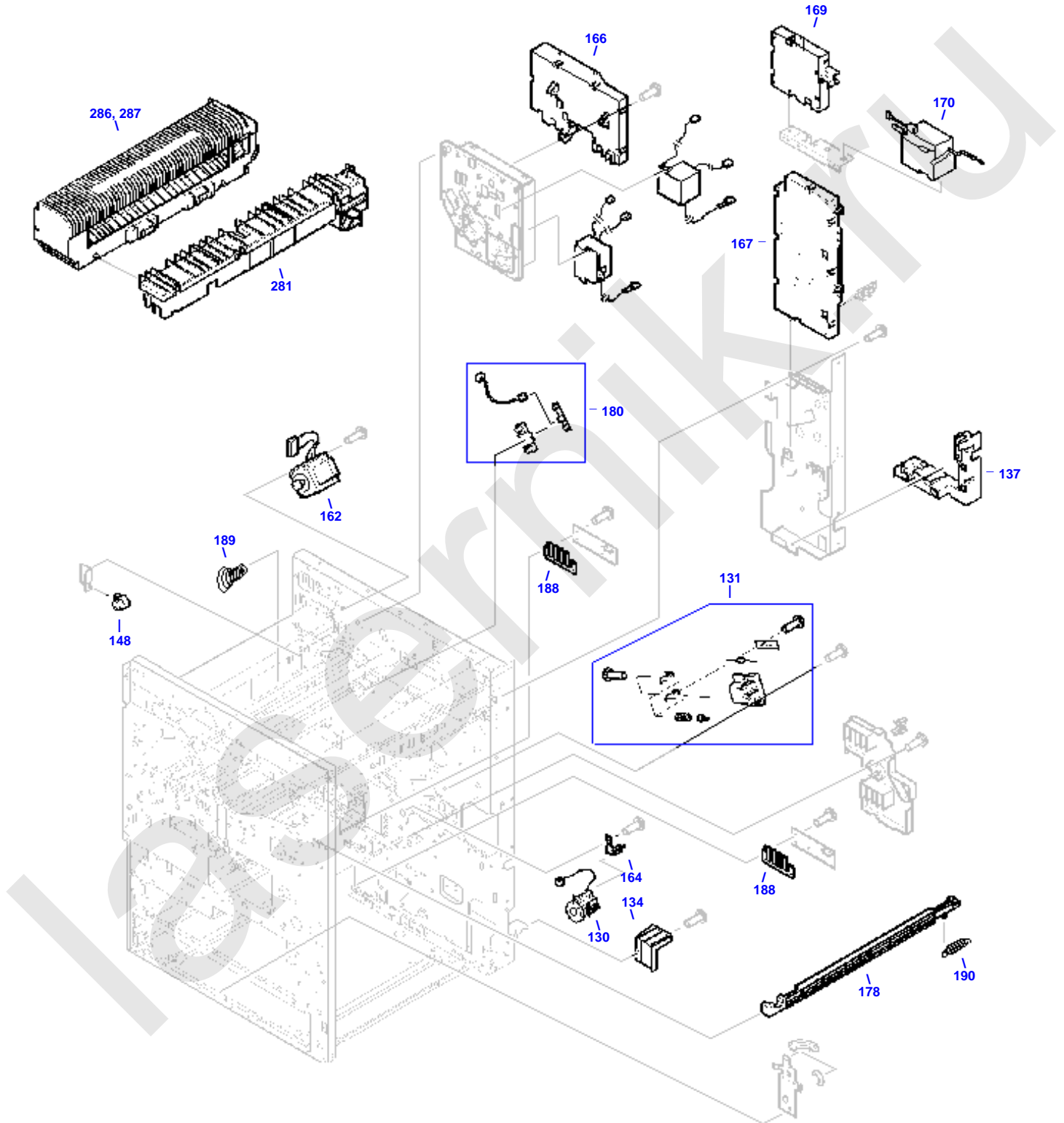
Internal Components (1 of 6)



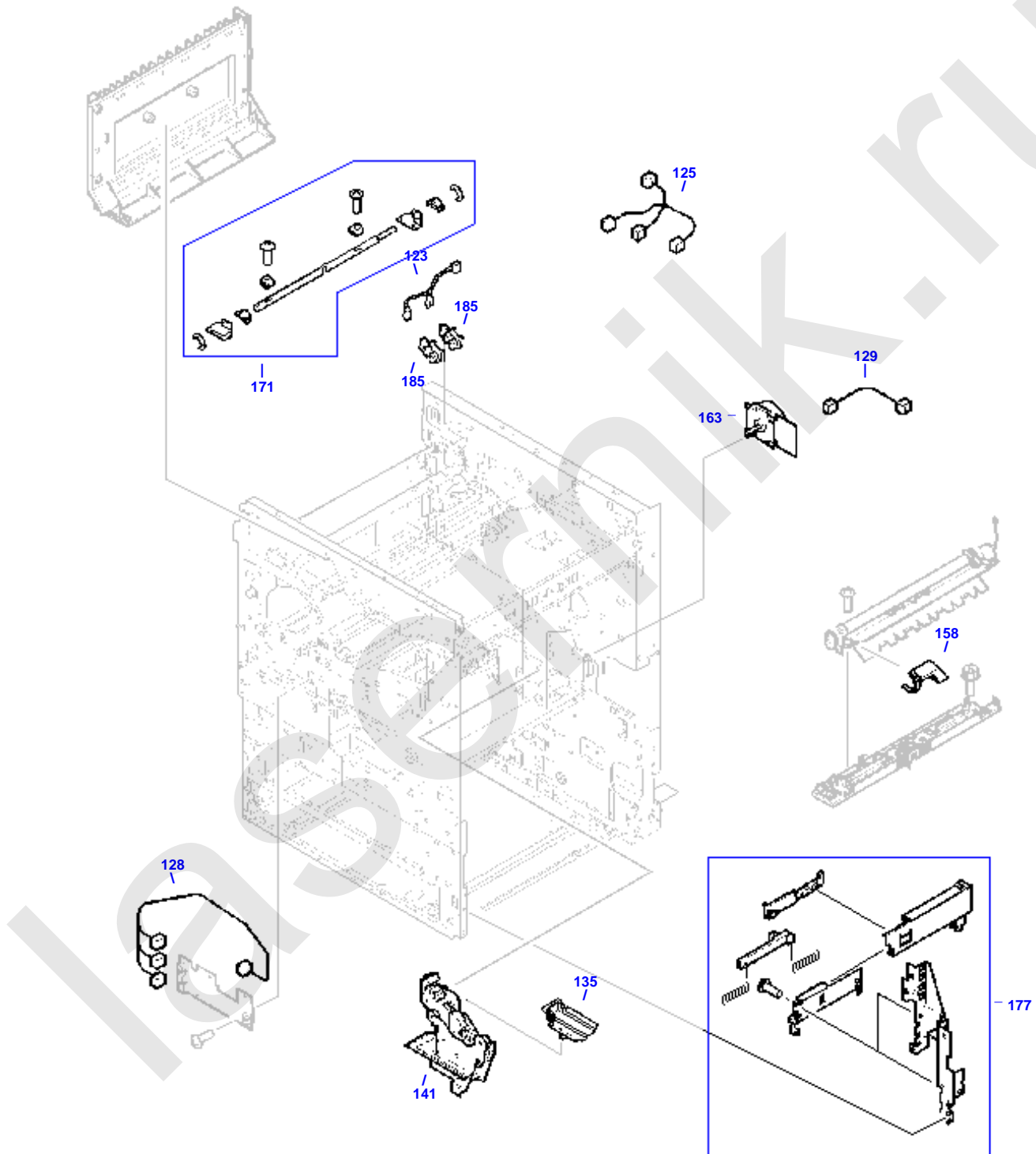
Internal Components (2 of 6)



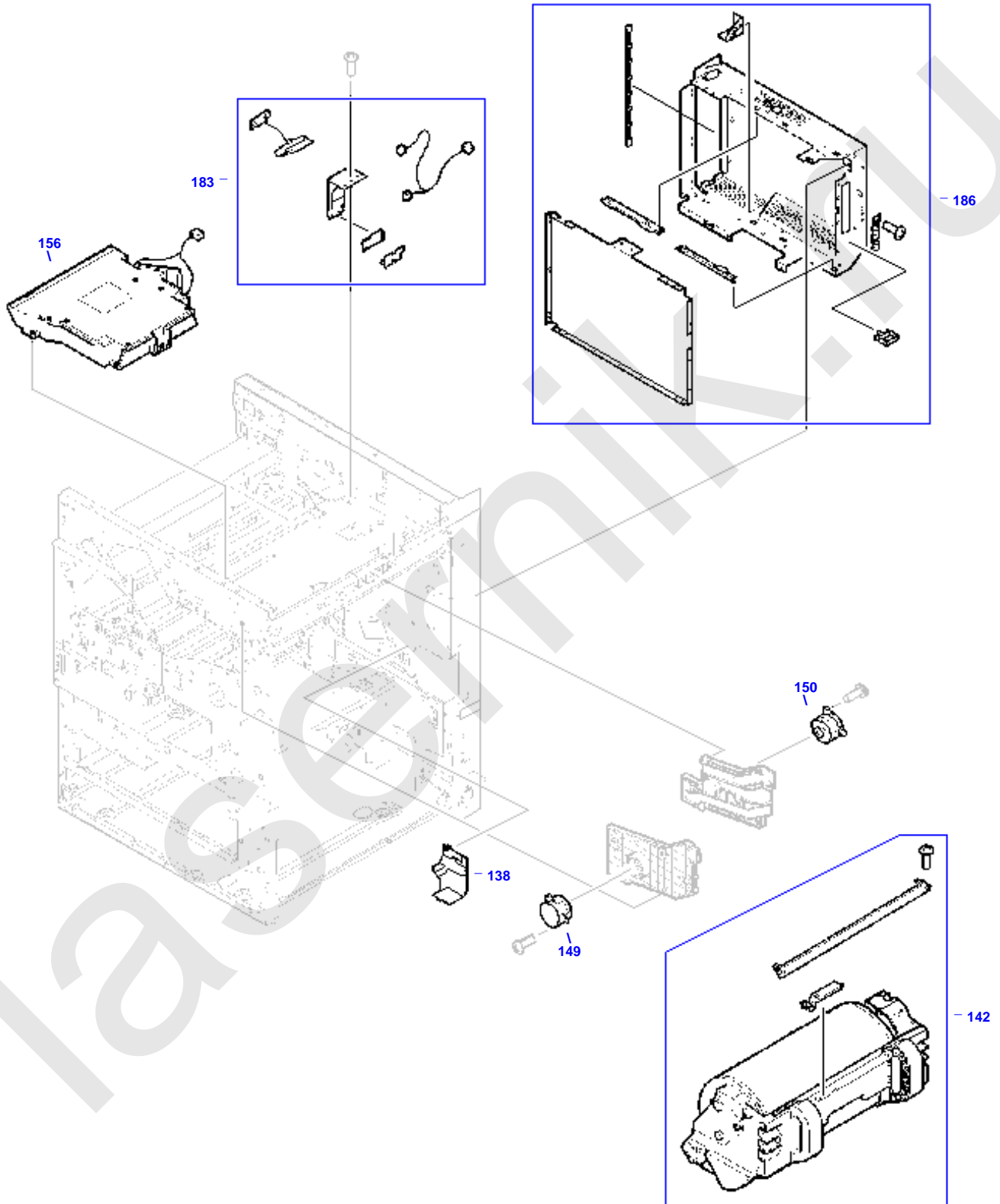
Internal Components (3 of 6)



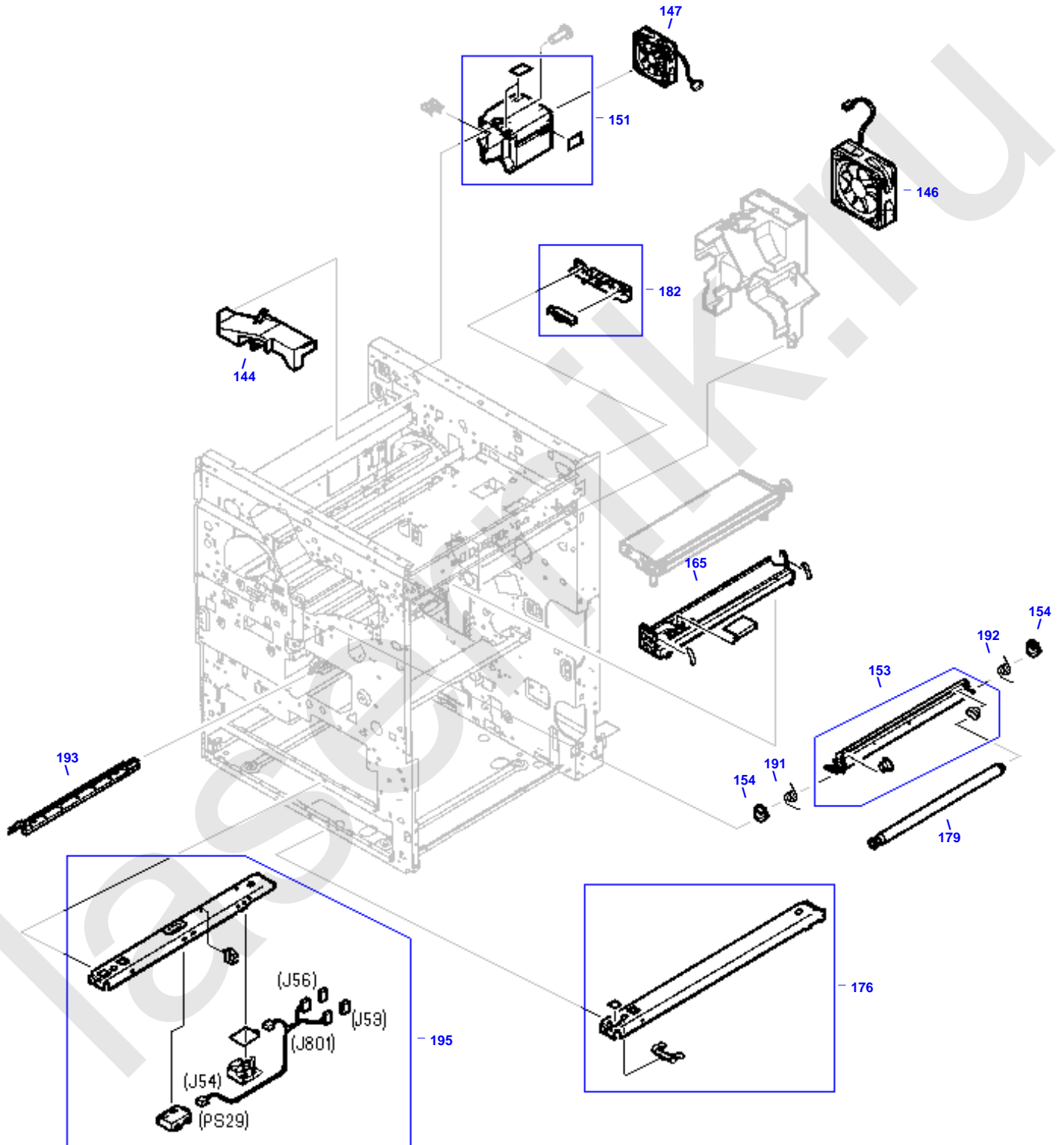
Internal Components (4 of 6)



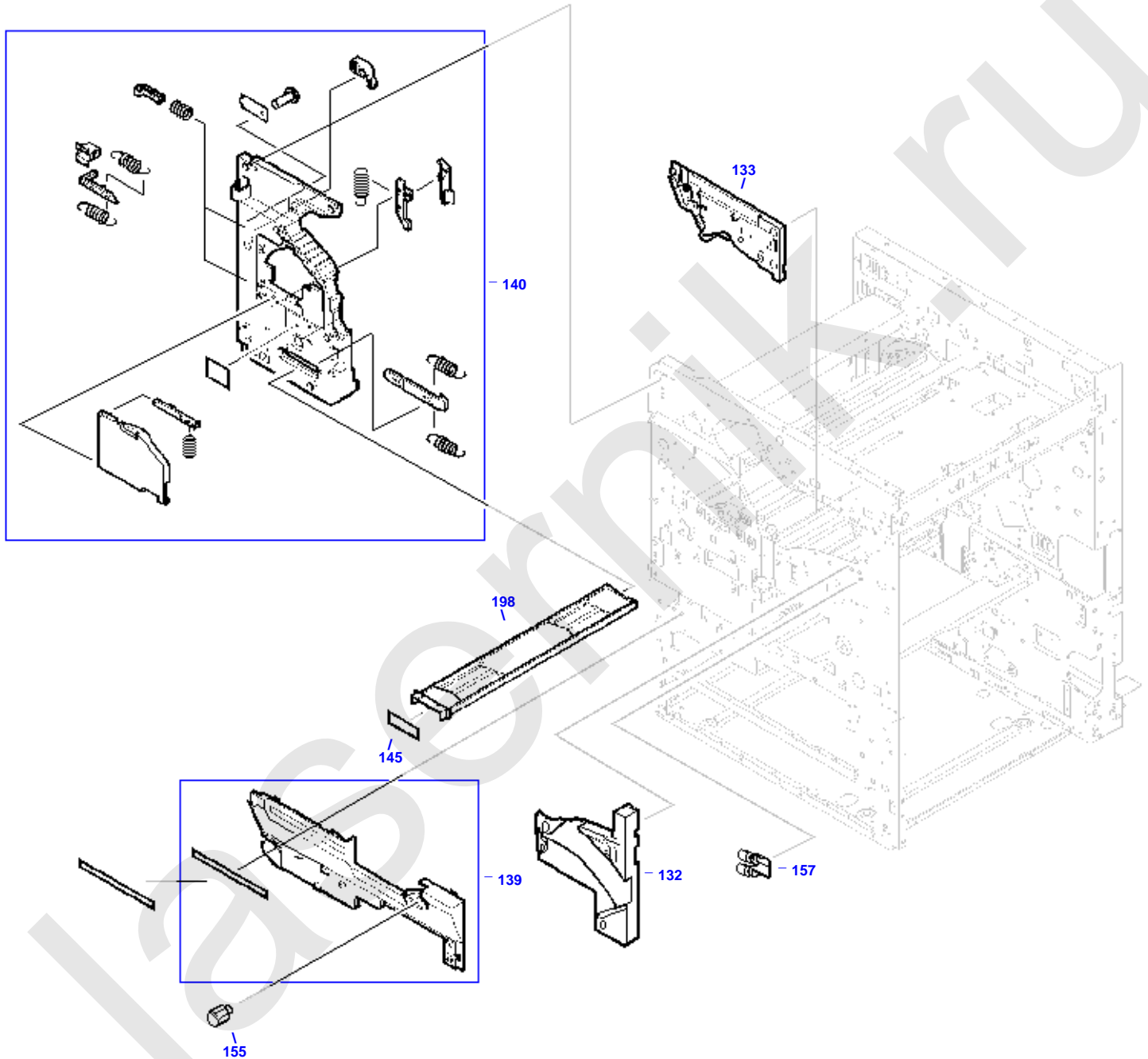
Internal Components (5 of 6)



Internal Components (6 of 6)

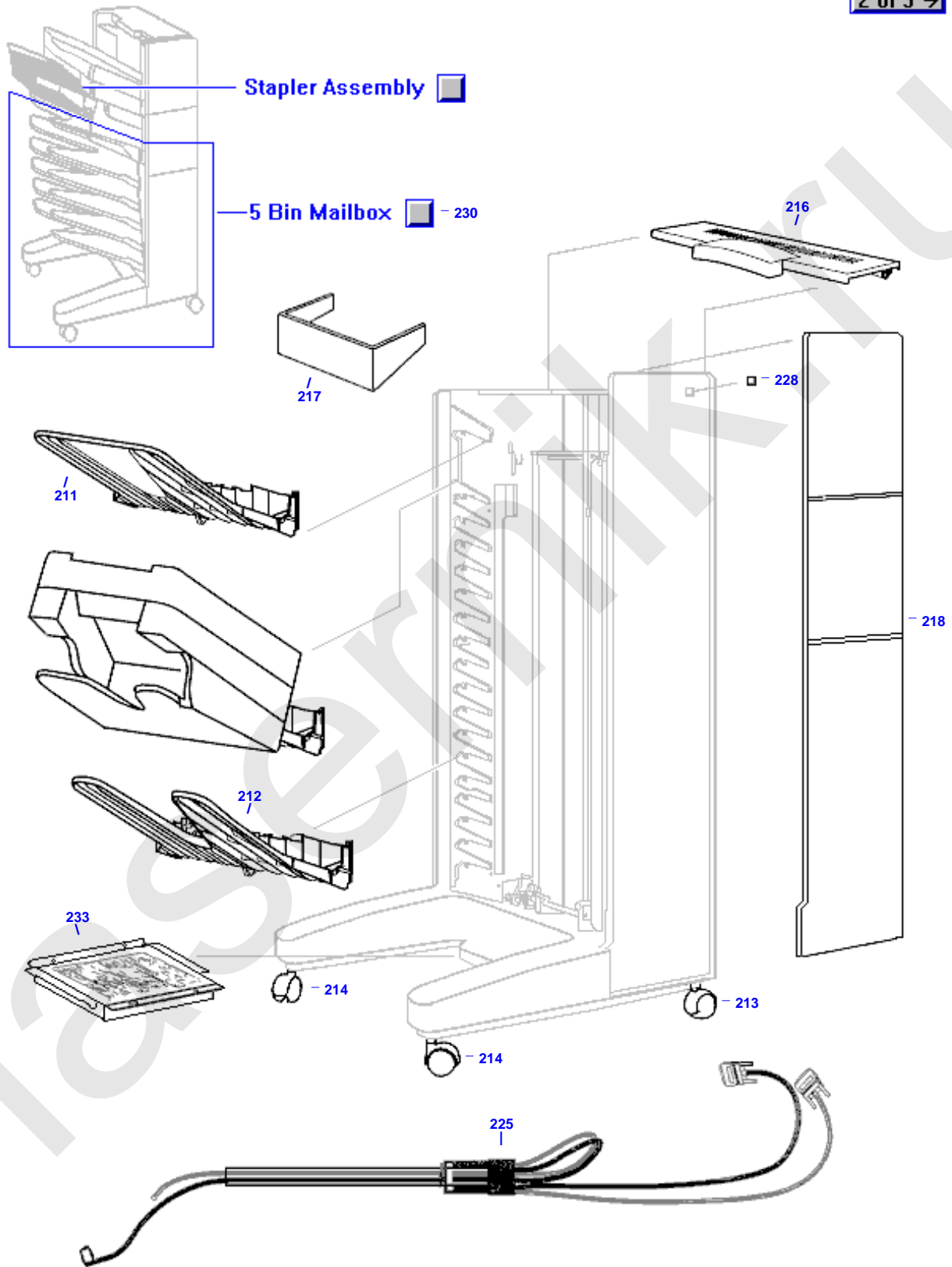


Internal Cover Assembly



Multibin Mailbox (1 of 3)

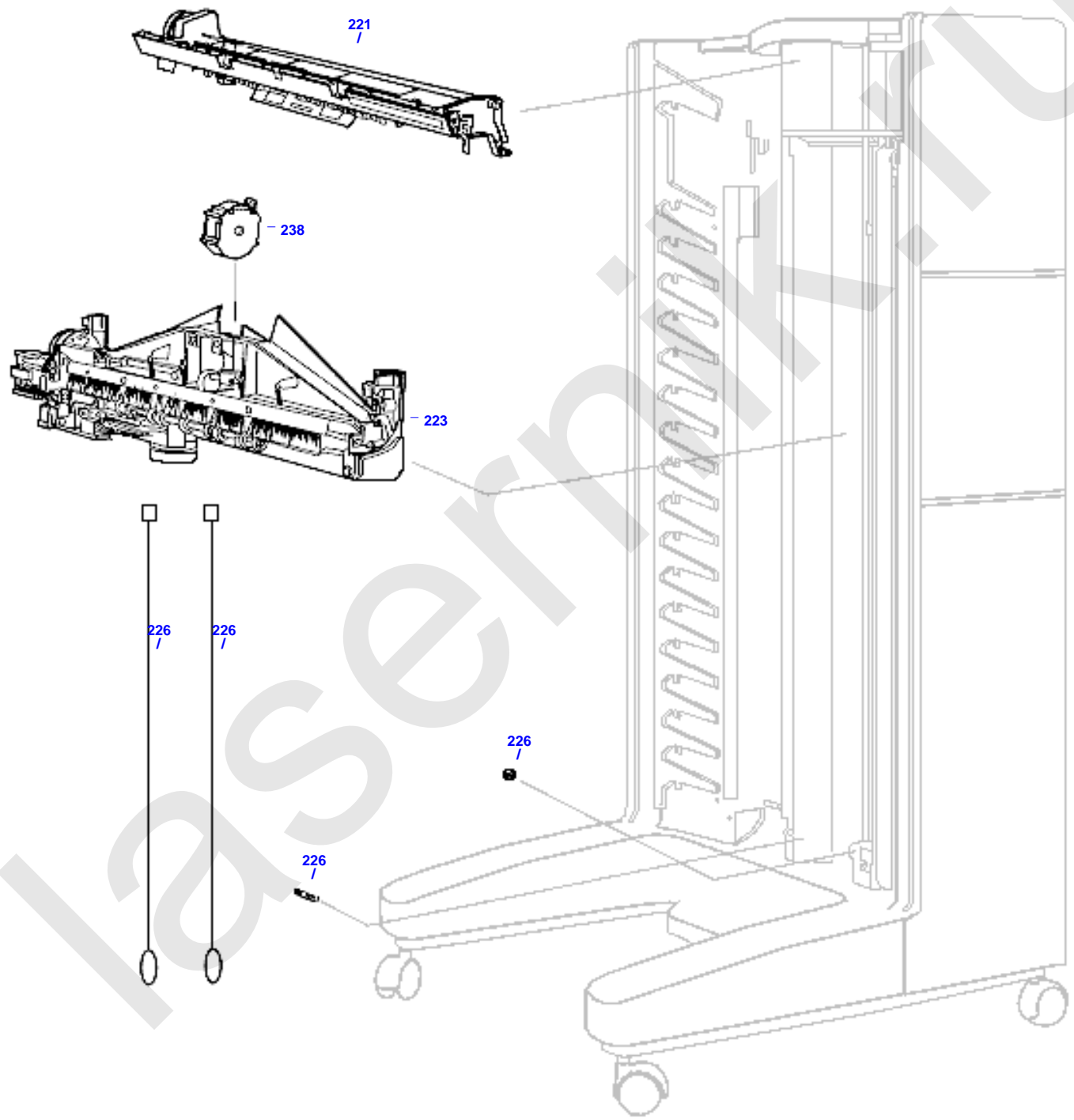
2 of 3 →



Multibin Mailbox (2 of 3)

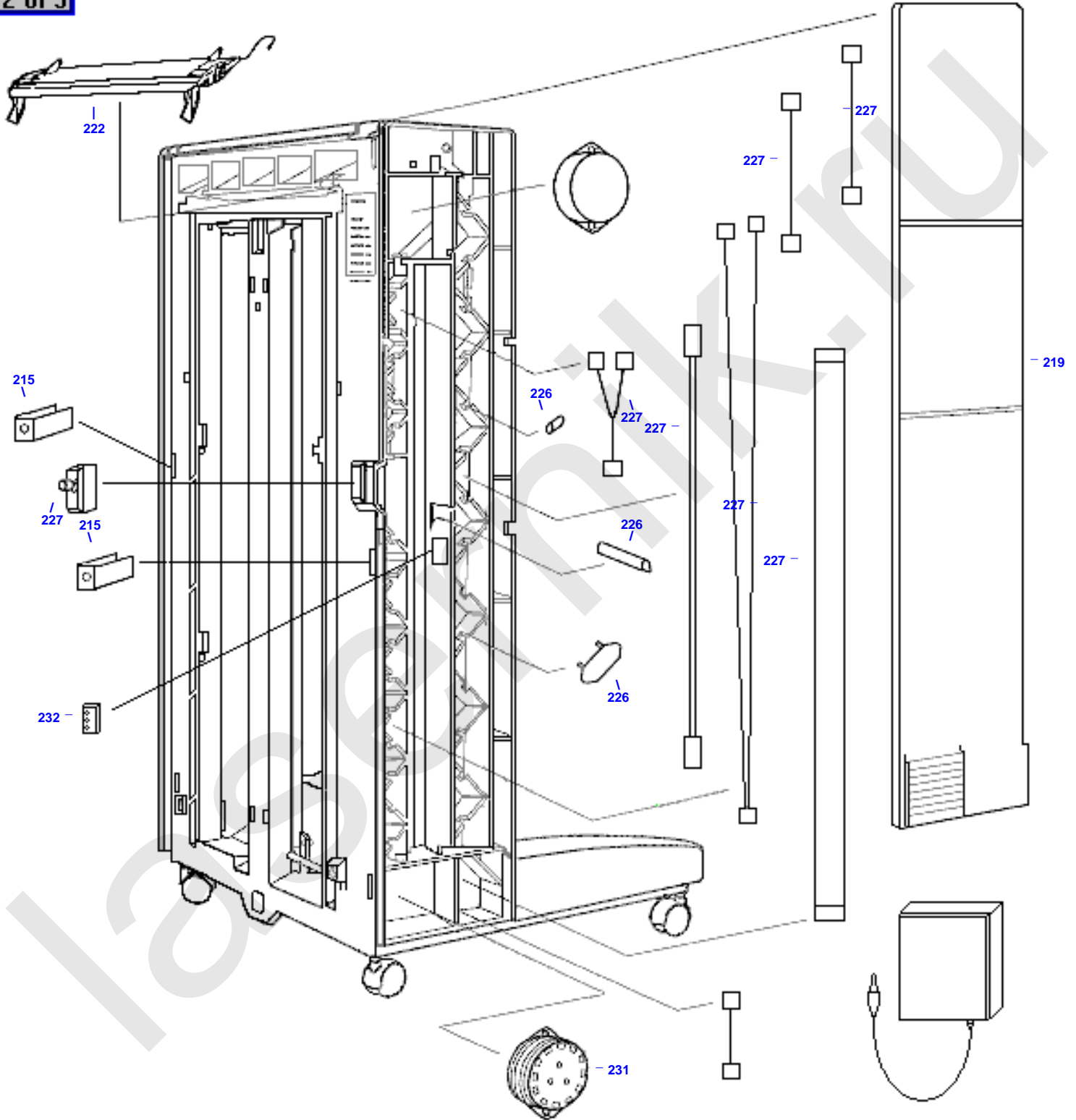
← 1 of 3

3 of 3 →



Multibin Mailbox (3 of 3)

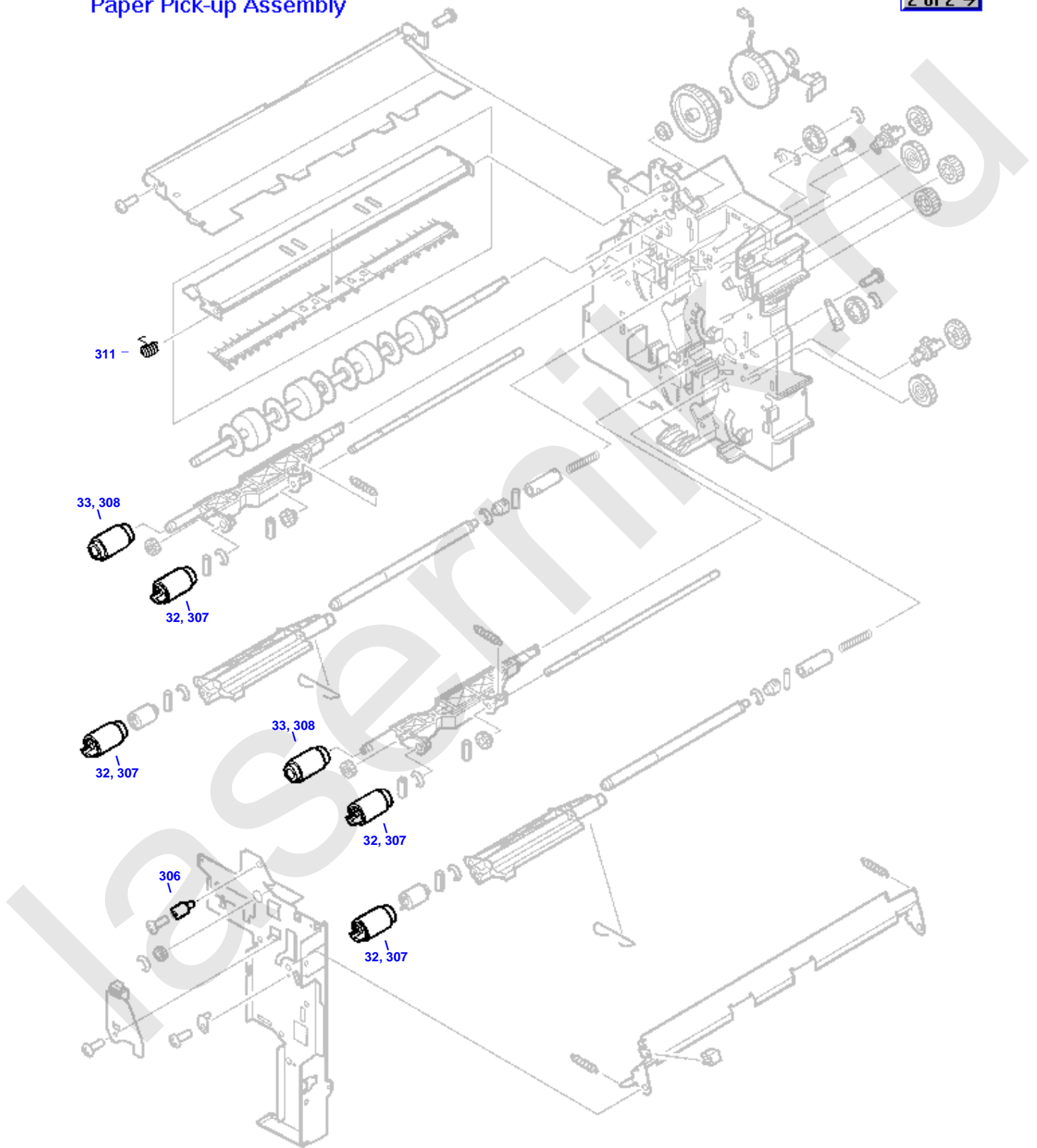
← 2 of 3



Paper Pick-up Assembly (1 of 2)

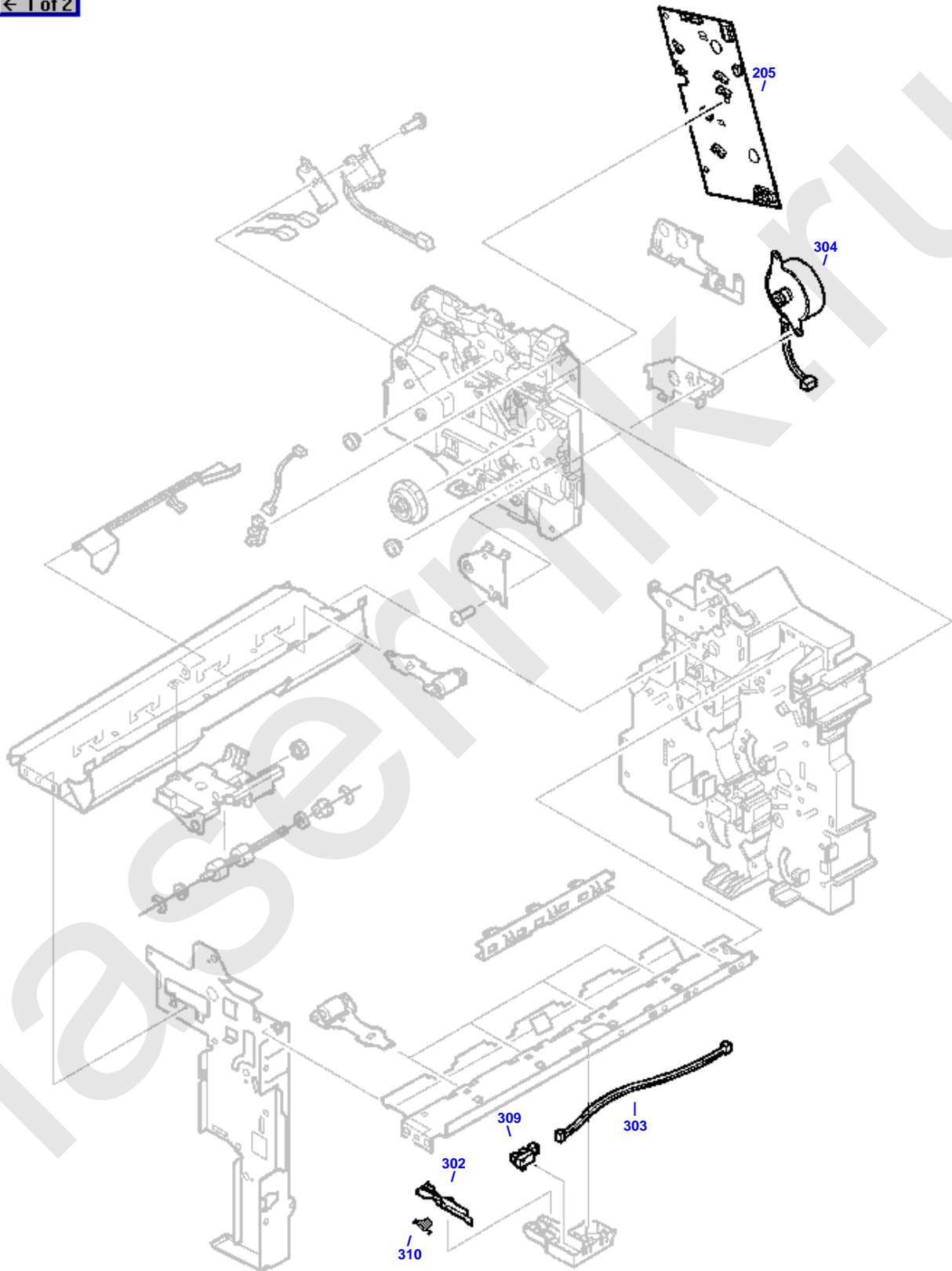
Paper Pick-up Assembly

2 of 2 →

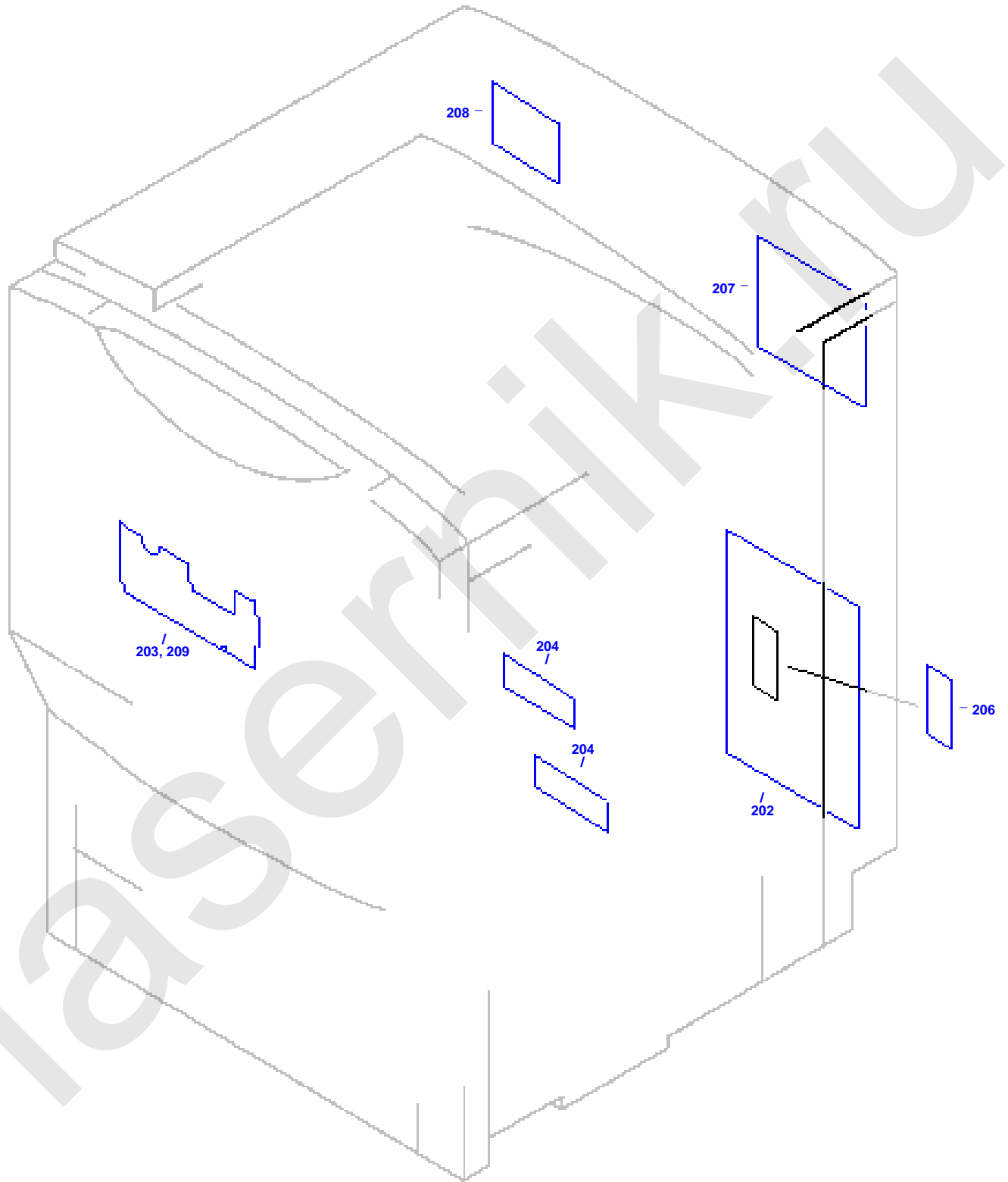


Paper Pick-up Assembly (2 of 2)

← 1 of 2

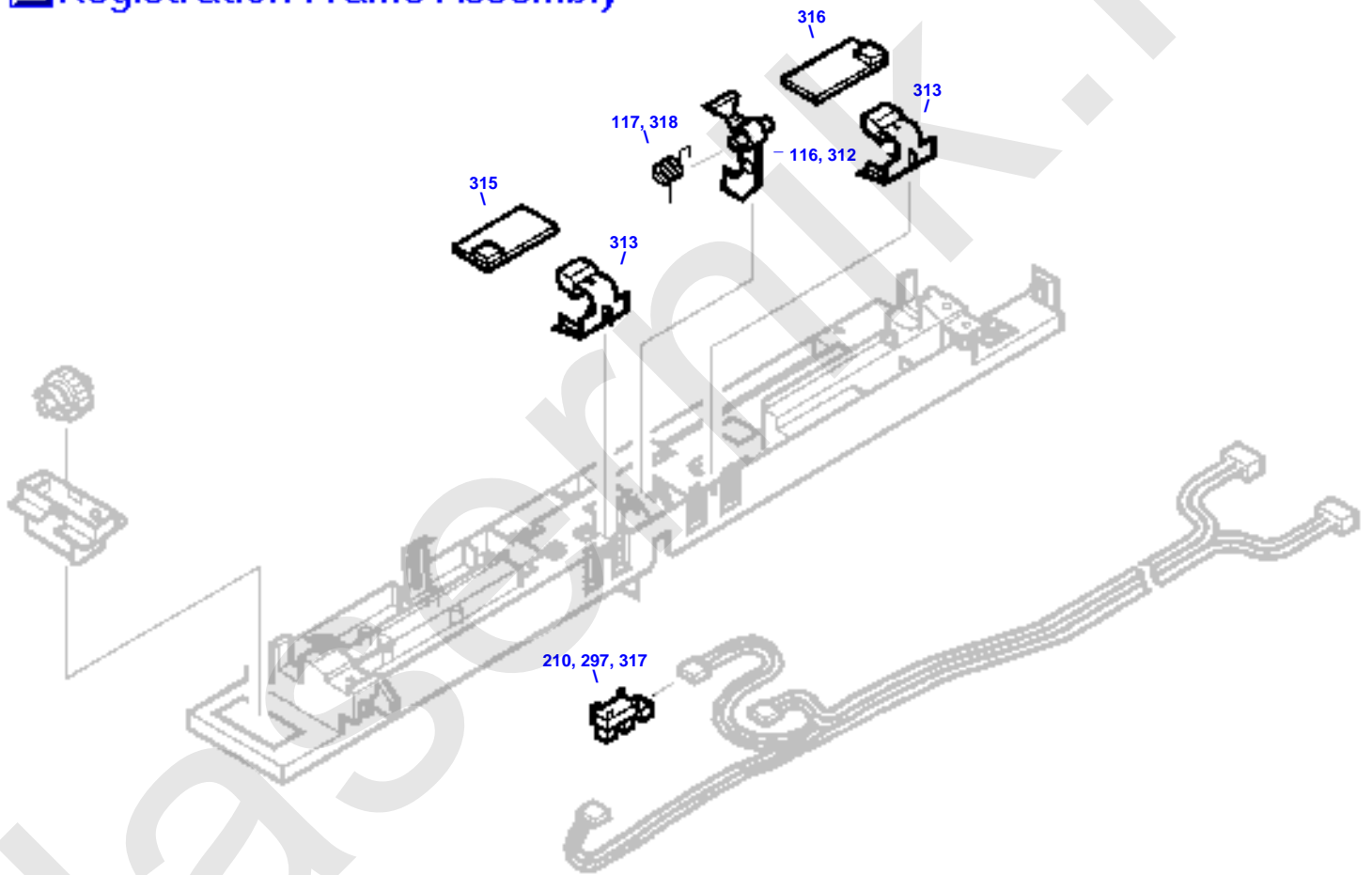


PCB Locations

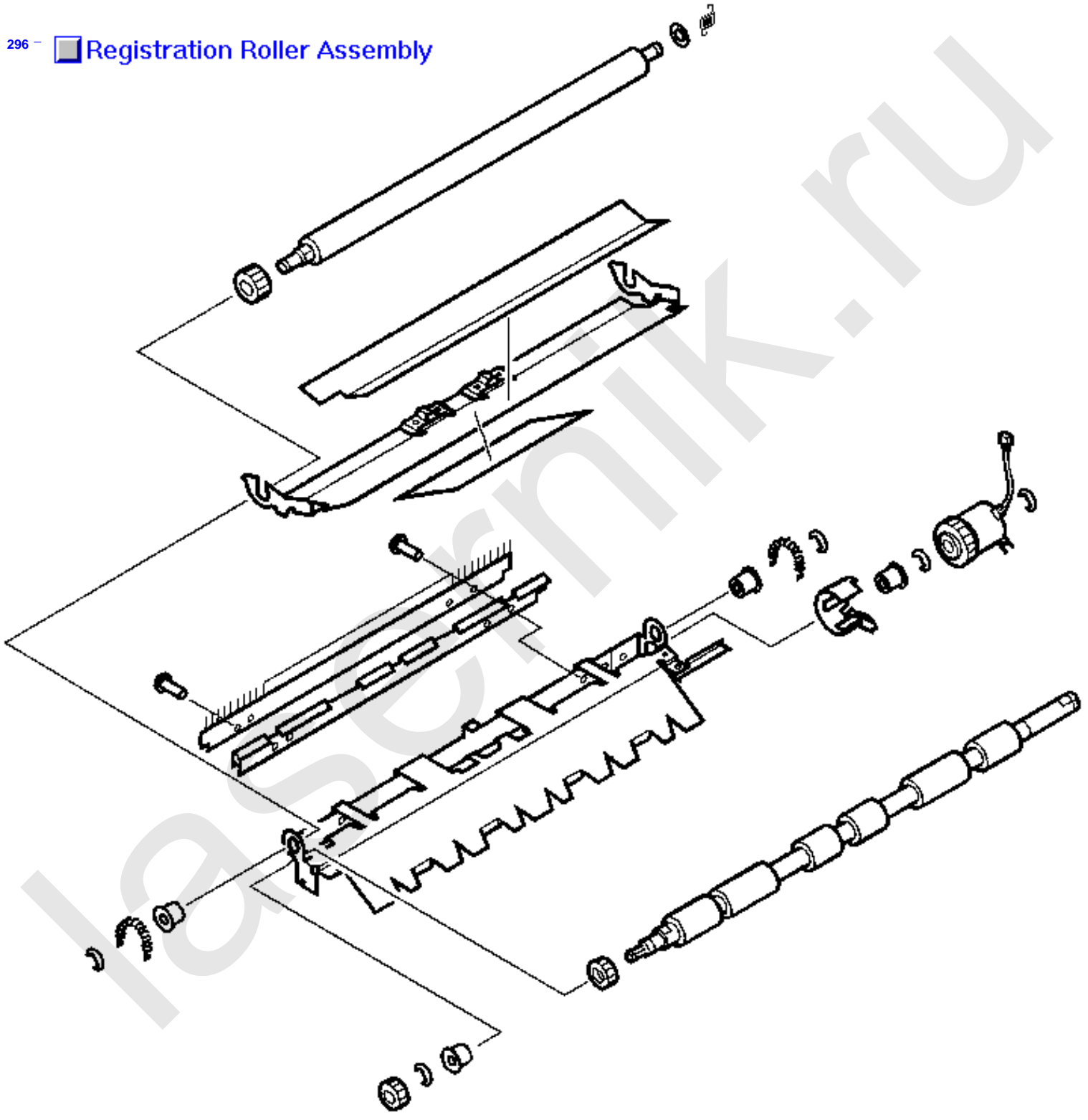


Registration Frame Assembly

314 -  Registration Frame Assembly

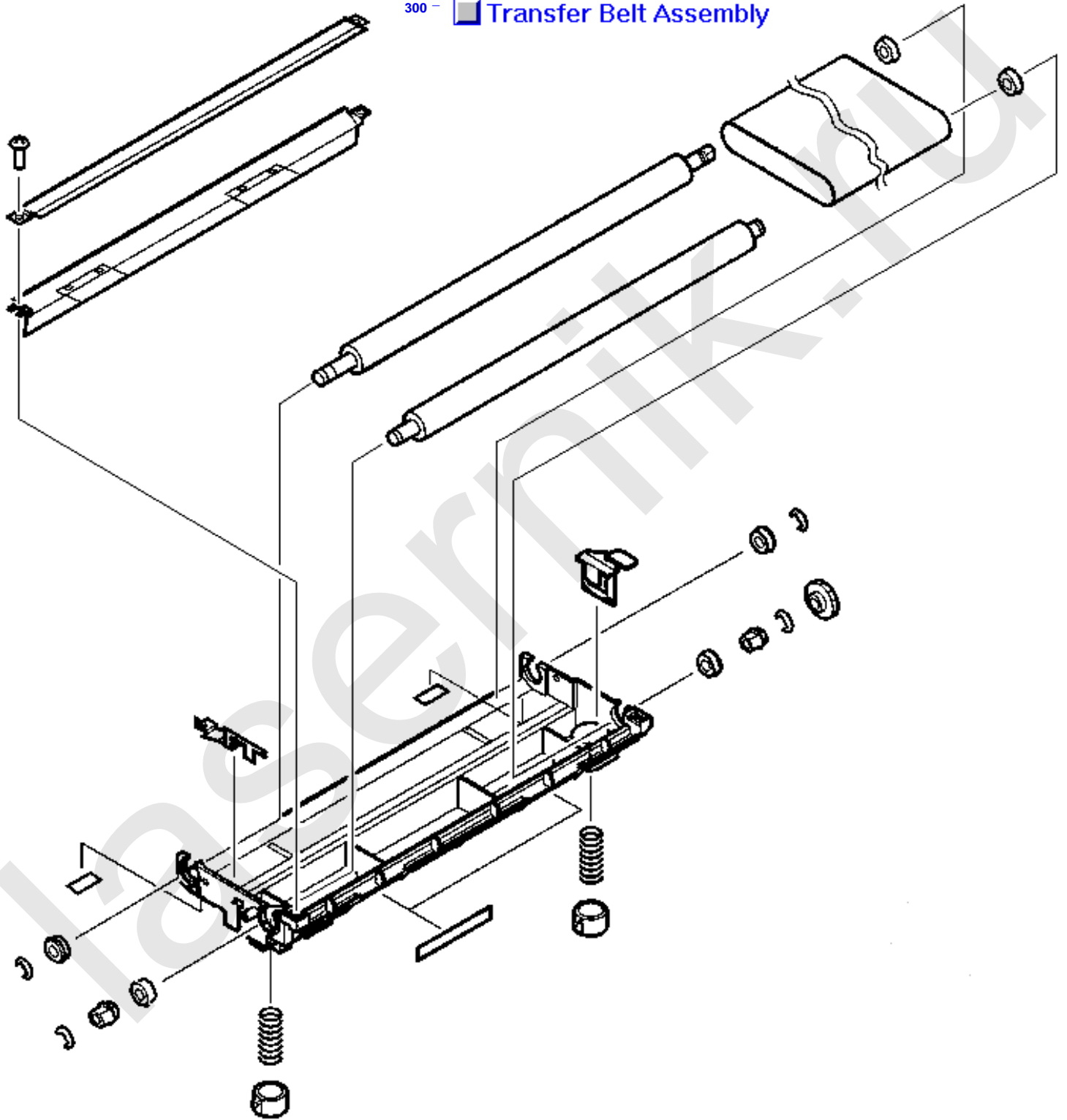


Registration Roller Assembly



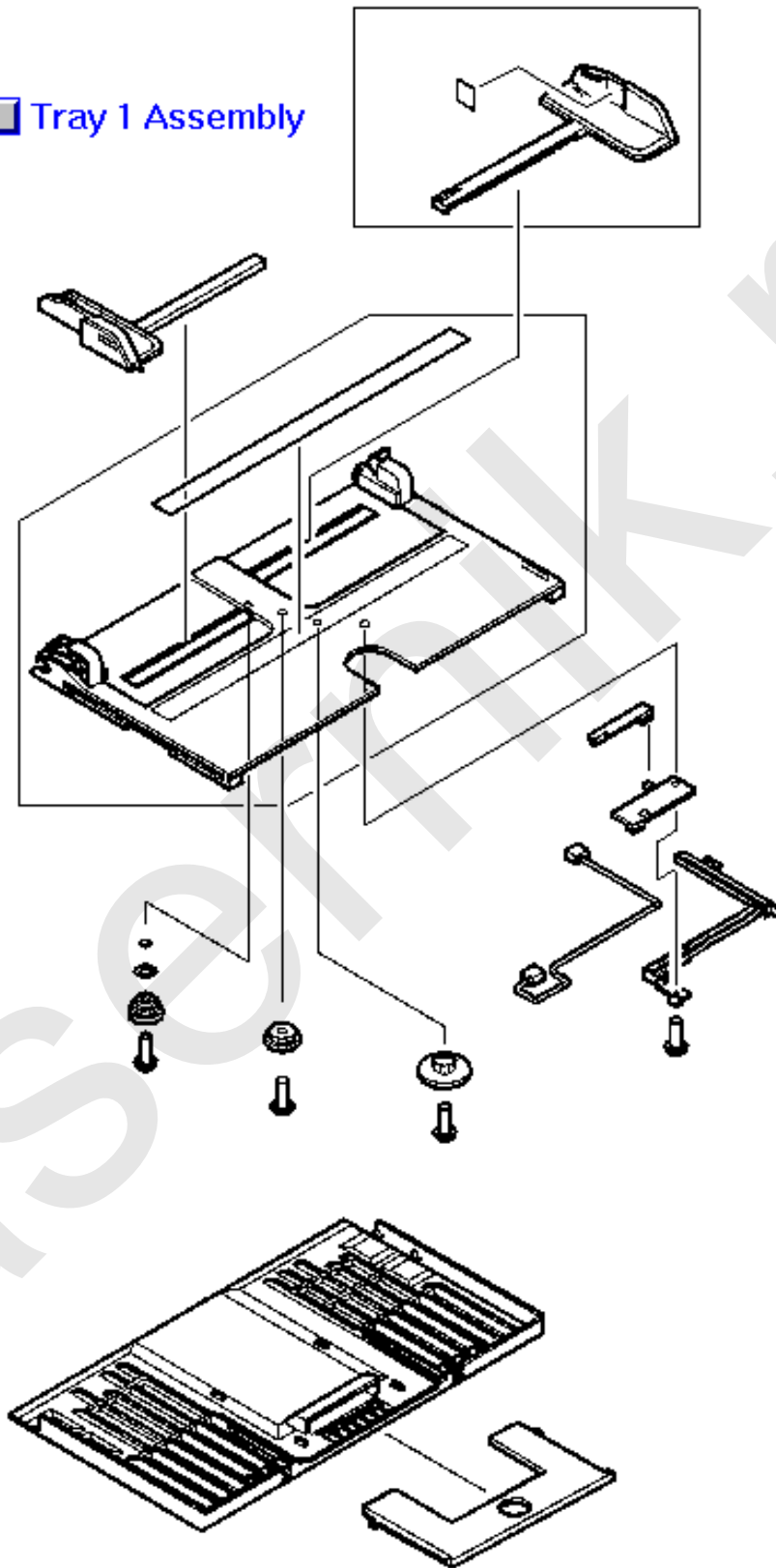
Transfer Belt Assembly

300 -  Transfer Belt Assembly



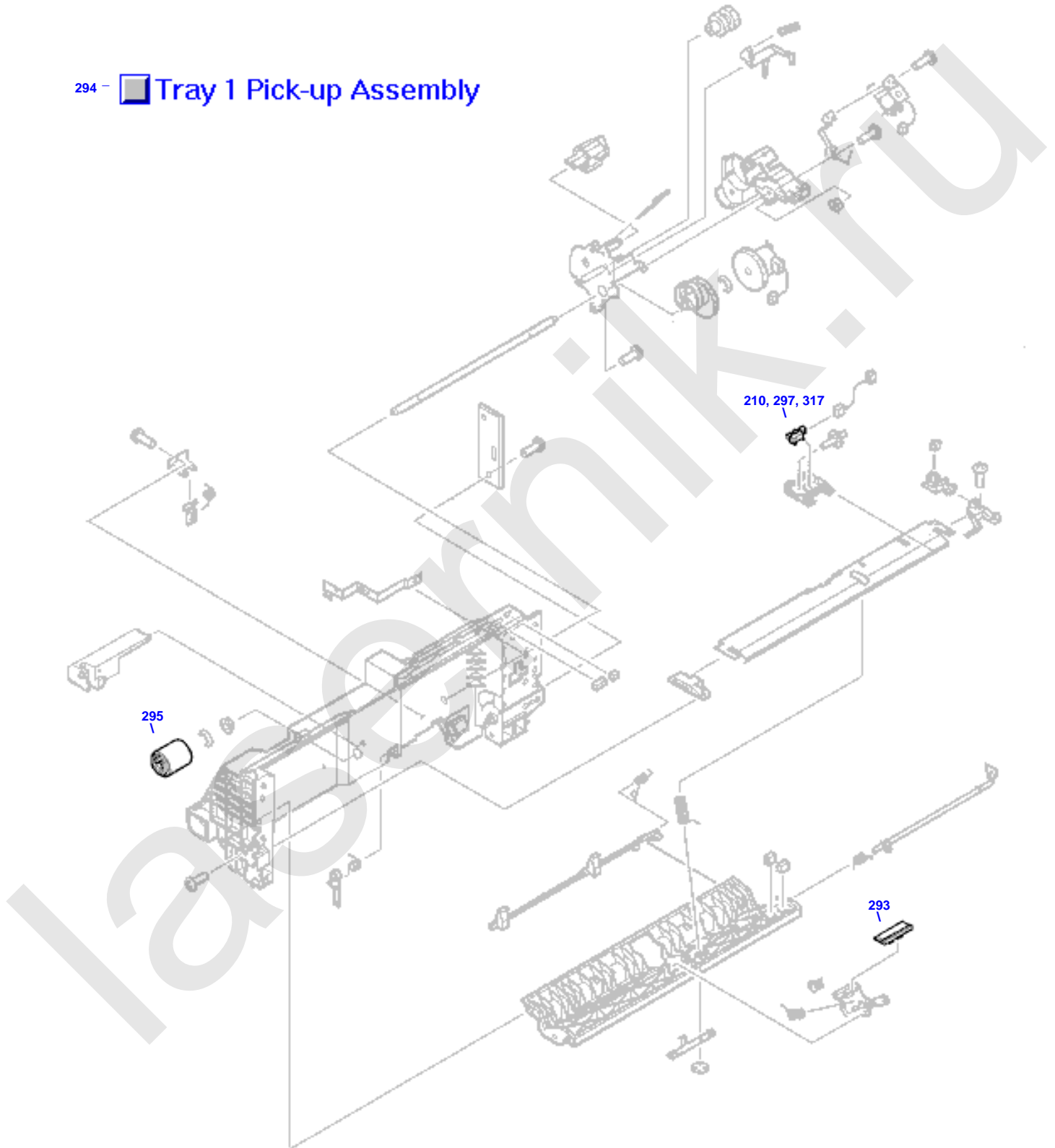
Tray 1 Assembly

301 -  Tray 1 Assembly



Tray 1 Pick-up Assembly

294 -  Tray 1 Pick-up Assembly





HP Parts Reference Guide

<http://www.hp.com/go/parts>

HP PartSurfer

<http://partsurfer.hp.com>

HP Parts Ordering Information

<http://www.hp.com/go/hpparts>

HP Parts Questions/Comments

<http://partsurfer.hp.com/contactus.htm>

laser.nik.ru