



## 7-bin Table Top Mailbox

### Arm

RA2-2484-000CN Bin full sensor arm

### Bin

- 2 C4783-69502 Face down bin assembly - One roller  
RG1-3836-000CN *New Part for C4783-69502*
- 3 RG1-3837-000CN Face down bin assembly - Two rollers

### Bushing

RA2-2505-000CN Output bin roller bushing

### Cover

- 5 RA2-2531-000CN Release latch handle cover
- 6 RF1-4004-000CN Front cover - Cover with release latch handle
- 7 RF1-4008-000CN Back cover
- 8 RG1-3838-000CN Top cover assembly
- 9 RG1-3840-000CN Right cover

### Diverter

- 10 RG1-3844-000CN Diverter assembly - Flipper

### Flag

RA2-2485-000CN Sensor flag - Optical sensor for bin full sensor

### Handle

- 12 RA2-2512-000CN Release handle - Latch lever handle

### Mailbox

C4783-60101 7-bin table top mailbox - Whole unit

### Motor

- 14 RF1-4003-000CN Reversing mechanism motor

### PC Board

- 15 RG1-3814-000CN Bin full and interlock sensor board
- 16 RG1-3815-000CN Sensor PCA - Empty bin sensor board
- RG1-3816-000CN Face-up bin full & sensor PCA
- RG1-3817-000CN LED PCA - Status panel LED display board
- 19 RG1-3853-060CN Controller board - 7-bin tabletop mailbox controller PCA

### Pin

RA2-2439-000CN Positioning pin

### Plate

- RA2-2500-000CN Support plate - Supports empty bin sensor PCA
- 22 RA2-2527-000CN Stopper plate - Limits travel of right cover
- 23 RA2-2541-000CN Motor cover - Reversing mechanism motor cover plate
- 24 RF1-4005-000CN Latch plate

### Power Supply

- 25 RH3-2205-000CN Power supply PCA for 7-bin tabletop mailbox power supply

### Solenoid

- RF1-3998-000CN Flipper solenoid
- 27 RH7-5223-000CN Reversing mechanism solenoid



### 7-bin Table Top Mailbox

#### Spring

RA2-2513-000CN Tension spring - Provides tension for latch handle

#### Tray

29 RA2-2408-000CN Bottom bin tray

30 RA2-2487-000CN Reversing output tray (Face-up)

### ADF Unit Parts

#### ADF Assembly

33 PA03002-C108FJ Automatic document feeder assembly

#### Arm

34 PA03002-C234FJ Sensor arm - Detects leading edge of ADF paper input

35 PA03002-C235FJ Sensor arm - Paper sensor arm for ADF

#### Bearing

36 PA03002-C233FJ Drive roller bearing - Front drive roller bearing

37 PA03002-C265FJ Drive roller bearing - Rear drive roller bearing

#### Belt

38 PA03002-C111FJ ADF belt - Drives automatic document feeder rollers

#### Brush

39 PA03002-C246FJ Paper antistatic brush assembly

#### Bushing

40 PA03002-C269FJ Pick roller brass bushings - Supports pickup roller

#### Cable

41 PA03002-C228FJ Sensor cable - Connects ADF sensors to copier control board

#### Clutch

42 PA03002-C250FJ Pickup roller clutch/gear assembly

#### Cover

43 PA03002-C112FJ Pickup roller assembly cover

#### Frame

44 PA03002-C236FJ Pad assembly frame - Supports separation pad assembly

#### Gear

45 PA03002-C231FJ Drive roller gear

46 PA03002-C232FJ Reduction cluster gear

#### Hardware

47 PA03002-C123FJ Paper guide / pick roller cover thumbscrew

#### LED

49 PA03002-C126FJ LED assembly - Status display with cable - Green LED that indicates when paper is correctly loaded in ADF

#### Lamp

48 PA03002-C115FJ Upper lamp - Lamp in upper portion of ADF unit

#### Motor

50 PA03002-C109FJ ADF motor unit - Drives ADF rollers

#### Optical Unit

51 PA03002-C117FJ Upper scanner portion of ADF unit - Scans page as it feeds through the ADF - Provides double sided copies

#### PC Board

53 PA03002-C252FJ ADF unit lamp PCA



### ADF Unit Parts

#### Pad

52 PA03002-C122FJ Separation pad assembly

#### Roller

54 PA03002-C120FJ Pick roller assembly

55 PA03002-C230FJ Drive roller shaft - Two used

#### Sensor

56 PA03002-C110FJ Sensor assembly - Includes eight sensors, sensor cable and sensor mount assembly

#### Spring

57 PA03002-C240FJ Pick spring - Provides pressure for separation pad

58 PA03002-C245FJ ADF latch spring - Holds tension on ADF release latch

59 PA03002-C247FJ Front ADF lift spring

60 PA03002-C248FJ Rear ADF lift spring

61 PA03002-C249FJ Leaf spring - Idle roller leaf spring

#### Support

62 PA03002-C227FJ Optical unit tie down / hold-down bracket

#### Washer

63 PA03002-C241FJ Key washer

### Accessories

#### Cleaning Supplies

5090-3379 Toner cleaning cloth - Specially treated cloth for absorbing toner (1 per package) - Ideal for clening up toner spills

#### Roller Kit

H3977-60001 Paper path roller kit - Contains four feed/separation rollers and 2 pickup rollers used in Paper Input Assembly - Also has MP/Tray1 pickup roller - Procedure requires service manual

### C4780A Input Tray Parts

#### Cable

64 RG5-3909-000CN Power supply cable - Between power supply and controller PCA

65 RG5-4440-000CN Main cable on input assembly

#### Caster

66 XZ9-0442-000CN Caster wheel

#### Cover

67 RB2-3666-000CN Right side cabinet cover

68 RB2-3668-000CN Paper storage tray front cover

69 RB2-3675-000CN Back cover

70 RF5-2762-000CN Front top cover

71 RF5-2764-000CN Left cover

72 RF5-2766-000CN Paper tray top cover - Includes label

#### Drive Assembly

73 RG5-4416-000CN Paper deck drive assembly - Gear assembly that lifts the paper plate to the pickup roller

#### Feed Assembly

74 C4780-69503 Paper feed assembly - Vertical transfer unit - Transfers paper from pickup assembly up to the printer input  
REQUIRES RETURN OF DEFECTIVE PART

RG5-4403-000CN New Part for C4780-69503



### C4780A Input Tray Parts

#### Foot

- 75 RG5-4203-000CN Outrigger adjustable foot - Adjusts up and down
- 76 RG5-4205-000CN Cabinet stabilizer (outrigger) - With adjustable foot

#### Fuse

- 77 VD7-1893-151CN Power supply fuse, 250V max

#### Labels

- 78 RB2-5342-000CN 2000 sheet paper tray cassette size label

#### Latch

- 79 XZ9-0379-000CN Door latch insert (Black)

#### Module

- C4781-60500 AC power box - Holds AC receptacle, fuse holder, and four cable connections - Includes mounting clips

#### PC Board

- 81 RB2-3667-000CN Holder size PCA
- 82 RG5-1845-000CN Paper size sensor board - Used to sense paper size in upper and lower paper trays
- 83 RG5-4441-000CN Front LED PCA - LED status display board
- 84 RG5-4442-000CN Controller PCA - 2 x 500-SHEET input tray controller PCA

#### Pickup Assembly

- 85 C4780-69505 Paper pickup  
REQUIRES RETURN OF DEFECTIVE PART
- RG5-4410-090CN *New Part for C4780-69505*

#### Pin

- 86 RF5-2556-000CN Positioning pin - Metal locating pins - Set of 3

#### Plate

- 87 RB1-6894-000CN Paper cassette size plate - Self adhesive label NOT included

#### Power Cord

- C4781-60501 'Daisy chain' power cord - Has C13 (F) connector and C14 (M) connector - 250V, 10A - 71.5cm (28.1 inches) long
- C4781-60502 'Daisy chain' power cord - 18 AWG, 2.6m (8.4ft) long - Has C14 (M) plug for power input and C13 (F) plug for power output - 250V, 10A

#### Power Supply

- 90 RG5-4021-000CN Universal power supply

#### Roller

- 91 RF5-1834-000CN Feed/separation roller - Has a blue gear on one end and blue release tab on the other - Mounts in the paper input unit assembly (4 used)
- 92 RF5-2708-000CN Pickup roller - Used in paper pickup assembly - 2 used

#### Spacer

- 93 RB2-3705-000CN Latch spacer - Black plastic piece that latch engages

#### Tray

- 94 R98-1006-000CN Tray 5 assembly - Complete tray with identification label
- 95 R98-1007-000CN Tray 4 assembly - Complete tray with identification label
- 96 RB2-3669-000CN Paper storage tray - Stores up to twenty pounds of paper

### C4781A Input Tray Parts

#### Bushing

- 97 RS5-1399-000CN Drive bushing - Paper deck drive assembly bushing

**C4781A Input Tray Parts****Cable**

- 98 RG5-3909-000CN Power supply cable - Between power supply and controller PCA  
99 RG5-3919-000CN Main cable - Largest cable in C4781A

**Caster**

- 100 XZ9-0442-000CN Caster wheel

**Cover**

- 101 RB1-7832-020CN 2000 sheet paper tray right side cover  
RB2-2509-000CN Clutch cover for 2000 sheet input tray  
103 RB2-2519-000CN Back cover - Protects back of tray assembly  
104 RF5-2568-000CN Front cover - Contains LED status display window  
105 RF5-2644-000CN Paper tray top cover - Includes label  
106 RF5-2646-000CN Left cover

**Drive Assembly**

- 107 RG5-3851-000CN Paper deck drive assembly - Gear assembly that lifts the paper plate to the pickup roller

**Feed Assembly**

- 108 C4781-69510 Paper feed assembly - Vertical transfer unit - Transfers paper from pickup assembly up to the printer input  
REQUIRES RETURN OF DEFECTIVE PART  
RG5-3854-000CN *New Part for C4781-69510*

**Foot**

- 109 RG5-3853-000CN Adjustable foot - Threaded attachment for leveling  
110 RG5-4205-000CN Cabinet stabilizer (outrigger) - With adjustable foot

**Fuse**

- 111 VD7-1893-151CN Power supply fuse, 250V max

**Labels**

- 112 RB2-5342-000CN 2000 sheet paper tray cassette size label

**Lock**

- RB1-7746-000CN Tray shipping lock clip - Secures paper tray during shipping

**Module**

- C4781-60500 AC power box - Holds AC receptacle, fuse holder, and four cable connections - Includes mounting clips

**PC Board**

- 115 RG5-2166-000CN Sensor PCA - Paper quantity sensor PCA  
116 RG5-2168-000CN Sensor PCA - Paper size sensor PCA  
117 RG5-3908-000CN Paper deck PCA - Input tray controller PCA

**Pickup Assembly**

- 118 C4781-69505 2000 sheet paper tray paper pickup assembly - Not compatible with C3763A and C3773A Input Tray  
REQUIRES RETURN OF DEFECTIVE PART  
RG5-3843-000CN *New Part for C4781-69505*  
RG5-3843-000CN 2000 sheet paper tray paper pickup assembly - Not compatible with C3763A and C3773A Input Tray

**Pin**

- 120 RF5-2556-000CN Positioning pin - Metal locating pins - Set of 3

**Plate**

- 121 RB1-6894-000CN Paper cassette size plate - Self adhesive label NOT included  
122 RG5-3849-000CN Middle paper limit plate  
123 RG5-3850-000CN Front paper reference plate - Front paper limit plate for 2000 sheet feeder  
124 RG5-4201-000CN Rear paper limit plate - Back paper limit plate for 2000 sheet feeder

## C4781A Input Tray Parts

### Power Cord

- C4781-60501 'Daisy chain' power cord - Has C13 (F) connector and C14 (M) connector - 250V, 10A - 71.5cm (28.1 inches) long
- C4781-60502 'Daisy chain' power cord - 18 AWG, 2.6m (8.4ft) long - Has C14 (M) plug for power input and C13 (F) plug for power output - 250V, 10A

### Power Supply

- 127 RG5-4021-000CN Universal power supply

### Roller

- 128 RF5-1834-000CN Feed/separation roller - Has a blue gear on one end and blue release tab on the other - Mounts in the paper input unit assembly (4 used)
- 129 RF5-1835-000CN Pickup roller assembly - Has attached black plastic gear - Mounts in the 2000 sheet paper tray

### Spring

- 130 RB1-7835-000CN Leaf spring - Retaining spring
- 131 RS5-2561-000CN Tension spring

### Status Panel

- 132 RG5-4204-000CN LED display - Status display with holder and cable

### Tab

- 133 RB1-7677-000CN Retainer tab

### Tray

- 134 C4781-69506 2000 sheet paper tray (Tray 4) - Paper holder cassette ONLY  
REQUIRES RETURN OF DEFECTIVE PART
- RG5-3845-000CN *New Part for C4781-69506*

## C4782A Duplexer Parts

### Duplexer

- C4782-69501 Duplexer assembly - For 2 sided printing capability  
REQUIRES RETURN OF DEFECTIVE PART
- C4782-60501 *New Part for C4782-69501*
- C4782A Auto duplexer assembly - Provides double sided printing capability on laserJets 8100, 8500, 8000, and 5Si

## Copier Cover Parts

### Bracket

- PA03002-C257FJ Front bracket - Front panel support bracket

### Cap

- PA03002-C201FJ Latch cap - ADF cover latch cap

### Control Panel

- C4166-60102 Front control panel assembly - LCD touch screen and complete control button panel - This is the control panel for the copier module only

### Cover

- PA03002-C106FJ ADF cover - Automatic document feeder top cover
- PA03002-C107FJ Upper cover - Frame around glass plate assembly
- PA03002-C264FJ Control panel cover

### Spring

- PA03002-C266FJ Ground spring - Front panel frame ground spring

### Tray

- PA03002-C121FJ Output tray assembly - ADF output tray with flip-out paper support tray extender
- PA03002-C263FJ ADF output tray extender - Flip-out tray extender



### Drive Parts

#### Drive

C2985-61021 20GB hard drive (Laserjet) - LaserJet EIO font/print job storage - Used as replacement for 2.1GB and 3.2GB drives when used in a LaserJet

### Electronic Accessories

#### Cable (Interface)

5063-1254 IEEE-1284 Bi-Tronics parallel cable - DB-25 (M) connector (type A) to 36 pin high density IEEE-1284C (M) connector (type C) - 3.0m (9.8ft) long

5063-1255 IEEE-1284 Bi-Tronics parallel cable - DB-25 (M) connector (type A) to 36 pin high density IEEE-1284C (M) connector (type C) - 10m (33ft) long

92215N Interface cable kit - For HP peripherals designed for use in an AppleTalk/Phonetnet network - Not for Macintosh models that have recessed I/O connectors

92215S RS-422 serial cable - 8 pin (M) to 8 pin (M) - 2.0m (6.6ft) long - For connecting Apple Macintosh with LocalTalk/serial connector

C2946A IEEE-1284 Bi-Tronics parallel cable - DB-25 (M) connector (type A) to 36 pin high density IEEE-1284C (M) connector (type C) - 3.0m (9.8ft) long

C2947A IEEE-1284 Bi-Tronics parallel cable - DB-25 (M) connector (type A) to 36 pin high density IEEE-1284C (M) connector (type C) - 10m (33ft) long

#### Interface (Product)

J6057A JetDirect 615N internal print server (10Base-T and 100Base-TX) LAN interface board - Plugs into peripheral EIO slot - Has a RJ-45 connector - Comes with software on CD-ROM and manual

J6057AR JetDirect 615N internal print server (10Base-T and 100Base-TX) LAN interface board - Plugs into peripheral EIO slot - Has a RJ-45 connector - Comes with software on CD-ROM and manual

#### Memory (DIMM)

C7842-67901 8MB, 100-pin SDRAM DIMM memory module

C7843-67901 16MB, 100-pin SDRAM DIMM memory module

C7845-67901 32MB, 100-pin SDRAM DIMM memory module

C7846-67901 64MB SDRAM - 100MHz synchronous DRAM - DIMM package

Q1887-67901 *New Part for C7846-67901*

#### Memory (Product)

C4135A 4MB, 100-pin, 32-bit, 60nS, EDO DRAM DIMM memory module

C4136A 8MB, 100-pin, 32-bit, 60nS, EDO DRAM DIMM memory module

C4137A 16MB, 100-pin, 32-bit, 60nS, EDO DRAM DIMM memory module

C4140A 4MB, 100-pin SDRAM DIMM memory module  
NO LONGER SUPPLIED

C7842A *New Part for C4140A*

C4286A 2MB flash DIMM memory - Font storage device

C4292A 8MB Traditional Chinese MROM DIMM - For LaserJet 4000 and 5100 series printers

C4293A 8MB Simplified Chinese MROM DIMM - For LaserJet 4000 and 5100 series printers

C7842A 8MB, 100-pin SDRAM DIMM memory module

C7843A 16MB, 100-pin SDRAM DIMM memory module

C7845A 32MB, 100-pin SDRAM DIMM memory module

C9680A 64MB, 100MHz SDRAM DIMM memory module

### Electronics/Power Supply

#### Power Cord

8120-6798 Power cord (Flint Gray) - 18 AWG, 2.3m (7.5ft) long - Has straight (F) receptacle (For 100V in Japan)

8120-6800 Power cord (Flint Gray) - 16 AWG, 2.3m (7.5ft) long - Has straight (F) receptacle (For 240V in Israel)

8120-6809 Power cord (Dove Gray) - 2.3m (7.5ft) long - Has straight (F) receptacle (For 240V operation in the United Kingdom, Hong Kong, Singapore, Malaysia)



### Electronics/Power Supply

#### Power Cord

8120-6810	Power cord (Flint Gray) - 2.3m (7.5ft) long - Has straight (F) receptacle (For 240V operation in Australia, New Zealand)
8120-6811	Power cord (Flint Gray) - 17 AWG, 2.3m (7.5ft) long - Has straight (F) receptacle (For 220V in Europe, Saudi Arabia, South Africa, India, and Korea)
8120-6812	Power cord (Flint Gray) - 18 AWG, 2.3m (7.5ft) long - Has straight (F) receptacle (For 120V in the USA, Canada, Mexico, Philippines, and Taiwan)
8120-6813	Power cord (Flint Gray) - 17 AWG, 2.3m (7.5ft) long - Has straight (F) receptacle (For 220V in South Africa, Saudi Arabia, and India)
8120-6815	Power cord (Flint Gray) - 17 AWG, 2.3m (7.5ft) long - Has straight (F) receptacle (For 220V in Switzerland)

### External Case Parts

#### Clip

178	RB2-3636-000CN	Tray lock clip - At rear of top output tray
-----	----------------	---------------------------------------------

#### Control Panel

179	RG5-5268-000CN	Control panel - Includes display
-----	----------------	----------------------------------

#### Cover

	5021-0349	EIO slot cover
181	RB1-6480-000CN	Lower left cover
182	RB1-6489-000CN	AC access cover - Has cut out for A/C power cord connection
183	RB1-6492-000CN	Power switch cover - Has cutout for power switch
184	RB2-3642-000CN	Right rear cover
185	RF5-1402-000CN	Rear cover - Sheet metal
186	RG5-4360-000CN	Top cover assembly - Does NOT include face up tray or control panel display
187	RG5-4362-000CN	Front cover

#### Door

188	RB2-3558-000CN	Diverter door assembly - Upper door on left side of printer - Two struts are mounted to door
189	RB2-3626-000CN	Front access door - Duplexer jam removal access door
190	RG5-1915-040CN	Right door assembly - Door below paper tray 1 - Support strap attached to right side

#### Foot

191	RB1-6421-000CN	Chassis foot
-----	----------------	--------------

#### Guard

192	RB2-3641-000CN	Hinge plate - Bottom half of top cover hinge
-----	----------------	----------------------------------------------

#### Label

193	RS5-8676-000CN	Operation label
-----	----------------	-----------------

#### Overlay

	C4214-40029	LaserJet 8100 control panel overlay (English)
	C4214-40031	LaserJet 8100 control panel overlay (Italian)
	C4214-40042	LaserJet 8100 control panel overlay (Spanish)

#### Spring

197	RB1-6493-000CN	Compression spring - Center support for left output bin
198	RB1-6509-000CN	Torsion spring - Helps support left output bin tray

#### Strap

199	RB1-6484-000CN	Support strap - Supports door when open
-----	----------------	-----------------------------------------

#### Support

200	RF5-2701-060CN	Access door struts - Attached to each side of diverter door assembly
-----	----------------	----------------------------------------------------------------------



**External Case Parts****Tray**

- 201 RB1-6490-000CN Face-down output tray - At top of printer
- 202 RB1-6491-000CN Face-up output tray - At upper left side
- 203 RG5-4329-000CN Multi-Purpose paper input tray (Tray 1) - Includes pull out extender tray

**Feeder Assembly Parts****Arm**

- 204 RB1-6417-000CN Registration paper sensor arm - Senses paper in registration assembly

**Cable**

- 205 RG5-1843-000CN Paper sensor cable - J11 to J15

**Roller**

- RB2-3562-000CN Fuser pressure roller - Roller that provides pressure against heating roller in fuser assembly

**Spring**

- 207 RB1-6409-000CN Sensor arm spring - Holds tension on paper feeder sensor arm
- RS6-2072-000CN Compression spring - Holds tension on front support block
- 209 RS6-2073-000CN Compression spring - Holds tension on rear support block

**Support**

- 210 RB2-3503-000CN Shaft holding block - Front registration roller support
- 211 RB2-3504-000CN Shaft holding block - Rear registration roller support

**Fusing Assembly Parts****Fusing Assembly**

- 212 C4214-69018 Fusing assembly (For 100V to 120V operation) - Bonds toner to paper with heat  
REQUIRES RETURN OF DEFECTIVE PART
- RG5-6532-000CN *New Part for C4214-69018*
- 213 C4214-69019 Fusing assembly (For 220V to 240V operation) - Bonds toner to paper with heat  
REQUIRES RETURN OF DEFECTIVE PART
- RG5-6533-000CN *New Part for C4214-69019*

**Lock**

- RB1-6615-020CN Right fusing assembly lock - Locks fuser in place
- RB1-6616-020CN Left fusing assembly lock - Locks fuser in place

**Interface Board Parts****PC Board (Interface)**

- J3110-69001 JetDirect 600N EIO internal print server 10Base-T LAN interface board - Has one RJ-45 connector - (J3110A) - NOTE:  
EIO Interface Boards are NOT Interchangeable with MIO Boards
- J6057-69001 *New Part for J3110-69001*
- J3111-69001 JetDirect 600N EIO internal print server 10Base-T, 10BASE-2, and LocalTalk LAN interface board - Has one RJ-45,  
BNC, and 8-pin DIN connector - (J3111A) - NOTE: EIO interface boards are NOT interchangeable with MIO boards  
REQUIRES RETURN OF DEFECTIVE PART
- J3111-61001 *New Part for J3111-69001*

**Internal Components****Heater**

- RH7-4126-000CN Heater element for fusing assembly - 120V

**Labels and Transparencies****Film (Transparency)**

- 92296U LaserJet printer transparency film - A4 size (21.0cm x 29.7cm) - 50 sheets per box
- 92296T LaserJet printer transparency film - A size (8.5 x 11-inches) - 50 sheets per box



### Labels and Transparencies

#### Labels

92296A	LaserJet printer addressing labels - 2.54cm (1.00in) x 6.67cm (2.63in) labels - 30 per sheet - 100 sheets per box NO LONGER SUPPLIED
92296B	LaserJet printer addressing labels - 3.38cm (1.33in) x 10.2cm (4.00in) labels - 14 per sheet - 100 sheets per box NO LONGER SUPPLIED
92296C	LaserJet printer addressing labels - 2.54cm (1.00in) x 10.2cm (4.00in) labels - 20 per sheet - 100 sheets per box NO LONGER SUPPLIED
92296D	LaserJet printer addressing/shipping labels - 5.08cm (2.00in) x 10.2cm (4.00in) labels - 10 per sheet - 100 sheets per box NO LONGER SUPPLIED
92296E	LaserJet printer shipping labels - 8.47cm (3.33in) x 10.2cm (4.00in) labels - Six per sheet - 100 sheets per box NO LONGER SUPPLIED
92296F	LaserJet printer return address labels - 1.27cm (0.50in) x 4.45cm (1.75in) labels - 80 per sheet - 25 sheets per box NO LONGER SUPPLIED
92296G	LaserJet printer file folder labels - 1.69cm (0.67in) x 8.73cm (3.44in) labels - 30 per sheet - 25 sheets per box NO LONGER SUPPLIED
92296H	LaserJet printer labels for 3.5-inch diskettes - 7.00cm (2.75in) x 7.00cm (2.75in) labels - Nine per sheet - 70 sheets per box NO LONGER SUPPLIED
92296J	LaserJet printer labels for 5.25-inch diskettes - 3.81cm (1.50in) x 10.2cm (4.00in) labels - 12 per sheet - 70 sheets per box NO LONGER SUPPLIED
92296K	LaserJet printer full sheet label - A size (8.5 x 11-inches) label - One per sheet - 100 sheets per box NO LONGER SUPPLIED

### Logic/Control Electronics

#### Cable

231 RG5-4386-000CN Cable assembly - From DC controller board to main motor

#### Drive (Product)

C2985A	2.1GB hard drive - LaserJet EIO font/print job storage NO LONGER SUPPLIED
C2985B	<i>New Part for C2985A</i>
C2985B	3.2GB hard drive - DesignJet or LaserJet EIO font/print job storage

#### Memory Module

C8530-67908 8MB flash firmware ROM memory

#### PC Board

235 C4214-69009	DC controller board assembly REQUIRES RETURN OF DEFECTIVE PART
RG5-4375-030CN	<i>New Part for C4214-69009</i>
C4265-69001	Formatter board - Main logic PCA REQUIRES RETURN OF DEFECTIVE PART
C4265-67901	<i>New Part for C4265-69001</i>
237 RG5-1846-000CN	Switch/sensor board - Includes face down tray sensors, fusing delivery sensor and door switch
238 RG5-1860-000CN	Paper pickup board - Includes 8 photosensors
239 RG5-1884-000CN	Multipurpose paper tray board - Includes paper sensors PS1301 and PS1302

#### Power Cord

RH2-5263-000CN Power cord (Gray) - 14 AWG, 2.3m (7.5ft) long - Has straight (F) receptacle (For 120V in the USA and Canada)

**Mailbox Components**
**Bin**

- 241 C3764-60505 Face up output bin - Top bin on multi-bin mailbox
- 242 C4785-60502 Single paper output bin - For the multi-bin mailbox assembly

**Cable**

- 243 C4787-60507 Stapler unit C-link cable - Has two high density 15 pin (M) connectors - 91.4cm (36 inches) long

**Caster**

- 244 C4785-60510 Fixed caster - Non-adjustable height caster
- 245 C4785-60511 Fixed caster - Adjustable height caster

**Clip**

- 246 C4785-60512 Multibin mailbox attachment clip

**Cover**

- 247 C3764-60555 Top cover
- 248 C4785-60503 Blind cover - Covers space trays and face-up bin - Home position cover for head assembly
- 249 C4785-60504 Front cover - Front side cover
- 250 C4785-60505 Side cover - Back side cover

**Extension**

- C4785-60531 C-link cable adapter extension - Used when no input device is used with 8-bin or 5-bin mailbox

**Flipper**

- 252 C4785-60540 Flipper assembly (with cable) - Moves paper from printer to face down mailbox tray or the face up bin on top - Includes firmware chip

**Guide**

- 253 C3764-60561 Paper input guide - Mounted in top of multi-bin mailbox

**Head Assembly**

- 254 C4785-60523 Head assembly - Moves paper up and down the mailbox to the correct mailbox bin

**Kit**

- C4785-60513 Repackaging kit
- 256 C4785-60516 Attachment kit - Attachment rod, bracket and cables
- 257 C4785-60519 Plastic parts kit - Contains paper anticurl spring/strings, small bottom pulley, flat cable holder, edge and gasket
- 258 C4785-60520 Cable kit - Includes interlock switch, head motor cable, flipper sensor, encoder, motor controller cables, ESD cable, and delivery head assembly flat cable

**LED**

- 259 C4785-60515 Status LED display - With cable

**Lock**

- C4787-60503 Shipping lock kit - For 8-bin and 5-bin mailboxes

**Mailbox**

- 261 C4787-69506 5-bin mailbox - Used when stapler option is present  
 REQUIRES RETURN OF DEFECTIVE PART
- C4787-60510 *New Part for C4787-69506*

**Motor**

- C3764-60507 Elevator stepper motor
- 263 C4785-60518 Transport belt motor - Includes fan

**PC Board**

- 264 C4785-60514 Diagnostic LED display board - With cable
- C4785-60539 Mailbox controller PCA

### Mailbox Components

#### Stapling Unit

- 266 C4787-69513 Stapling unit - Includes top cover, bed assembly, and board  
REQUIRES RETURN OF DEFECTIVE PART
- C4787-60513 *New Part for C4787-69513*

#### Tape

- 267 C4785-60507 Metallic tape and housing assembly - Narrow tape version used with the double belt transport belt system
- 268 C4785-60524 Metallic tape and housing assembly - Wide tape version used with the single belt transport belt system

### Optional Interfaces

#### Interface (Product)

- J3110A Ethernet 10Base-T (RJ-45) EIO network internal print server PC board
- J3111A Ethernet 10Base-T/10Base2 and LocalTalk (RJ-45, BNC, LocalTalk) EIO network PCA
- J3112A JetDirect 600N token ring LAN interface board - DB-9 and RJ-45 connectors  
NO LONGER SUPPLIED
- J3113A JetDirect 600N internal print server (10Base-T and 100Base-TX) LAN interface board - Plugs into peripheral EIO slot
- J4135A JetDirect connectivity card - Has one USB port, one serial (DB9) port and one LocalTalk port - Plugs in the EIO slot on selected DesignJet and LaserJet printers
- J4167A JetDirect 610N token ring LAN interface board - DB-9 and RJ-45 connectors
- J4169A JetDirect 610N internal print server (10Base-T and 100Base-TX) LAN interface board - Plugs into peripheral EIO slot - Has a RJ-45 connector - Comes with software on CD-ROM and manual

#### PC Board (Interface)

- J3112-69001 JetDirect 600N EIO internal print server token ring LAN interface board - Has one RJ-45 and DB-9 connector
- J4167-69001 *New Part for J3112-69001*
- J3113-69001 JetDirect 600N EIO internal print server 10Base-T and 100Base-T LAN interface board - Has one RJ-45 connector
- J4135-61001 JetDirect connectivity card - Has one USB port, one serial (DB9) port and one LocalTalk port

### Optional Paper Trays

#### Envelope Feeder

- C3765-69501 Replacement optional envelope feeder - Holds 100 envelopes  
REQUIRES RETURN OF DEFECTIVE PART
- C3765-60501 *New Part for C3765-69501*
- C3765B Optional envelope feeder - Automatically feeds 100 envelopes

#### Guide

- RF5-1484-000CN Paper size guide/stop - For upper or lower paper input tray

#### Mailbox

- 282 C4787A 5-bin mail box with stapler - Holds 2100 sheets of paper used with 5Si family, mopier and 8000 printers

#### Stop

- RF5-2002-030CN Paper length stop

#### Tray

- C4780A HP LaserJet 8000 and 8100 Series Optional 1000 (2 x 500) sheet paper trays (Trays 4 & 5) - Holds up to 1000 sheets of letter, legal, tabloid/ledger, A3, A4, B, or B4 size paper - Does NOT include paper handling PCA
- 285 C4781A HP LaserJet 8000, 8100, and 5Si Series Optional 2000 sheet paper tray (Tray 4) - Holds up to 2000 sheets of letter, legal, tabloid/ledger, A3, A4, B, or B4 size paper - Does NOT include paper handling controller board
- C4785A 8 bin mail box - Holds 2600 sheets of paper - Used with 2000 sheet paper tray or printer cabinet
- R98-1004-000CN Lower paper input tray (Tray 3) - 500 sheet capacity - For letter, legal, 11 x 17 inch (B-size), A4 (210MM x 297MM), A3 (297MM x 420MM) and B4 (257MM x 364MM) size paper
- R98-1005-000CN Upper input paper tray (Tray 2) - 500 sheet capacity - For letter, legal, and A4 (210MM x 297MM) size paper



### Other Accessories

#### CD-ROM (Support)

C4214-60103 LaserJet 8100 series user guide - 23 languages

#### Cartridge

C4182X Black Ultra-Precise toner cartridge

#### Certificate

C7819-90903 Email license certificate for MFP

C8539-90901 FAX license certificate for MFP

C9122-90901 NT authentication certificate for MFP

#### Kit

C3914A Maintenance kit (120V) - Replacement parts after 350K pages includes, fusing assembly, 8 feed/separation rollers, and transfer roller

#### Manual Kit

5021-0377 HP-GL/2, PCL5 and PJI technical reference manual kit

C4214-99021 LaserJet 8100 service manual bundle - Includes service manual supplement for paper-handling accessories

#### Software

C6072-60301 HP-GL/2 driver software for AutoCAD - For DOS and Windows 3.1/95/NT 4.0 - On 3.5-inch 1.44MB floppy disks (English)

C6072-60304 HP-GL/2 driver software for AutoCAD - For DOS and Windows 3.1/95/NT 4.0 - On 3.5-inch 1.44MB floppy disks (German)

C6072-60305 HP-GL/2 driver software for AutoCAD - For DOS and Windows 3.1/95/NT 4.0 - On 3.5-inch 1.44MB floppy disks (French)

C6072-60306 HP-GL/2 driver software for AutoCAD - For DOS and Windows 3.1/95/NT 4.0 - On 3.5-inch 1.44MB floppy disks (Spanish)

C6072-60307 HP-GL/2 driver software for AutoCAD - For DOS and Windows 3.1/95/NT 4.0 - On 3.5-inch 1.44MB floppy disks (Italian)

#### Stand

C2975A HP LaserJet Printer Cabinet - For LaserJet 5Si family and 8000/8100 series printers - Supports the printer, and provides storage for supplies and accessories

C4784A 7-bin Tabletop Mailbox Stand - Wheeled stand that allows 7-bin tabletop mailbox to be used when printer is mounted on 2 x 500 or 2000 sheet input - For LaserJet 8000/8100 series printers  
NO LONGER SUPPLIED

#### Staple Cartridge

C3772A HP LaserJet flat-wire staple cartridges for Multi-Bin Mailbox with Stapler - For LaserJet 8000, 8100, 8150, 5Si series and Mopier 240, 320 - Package of 3 with 2000 staples/cartridge - (C3774A)

#### Training Kit

C4214-67901 Self Paced Training Kit for LaserJet 5Si Series,8000,8100 and 8150

### Other Internal Parts

#### Arm

306 RB1-6444-000CN Release arm - Front toner cartridge release arm - Hook shaped cartridge holder

307 RB1-6446-000CN Release arm - Toner cartridge release arm - Hook shaped cartridge holder

#### Cable

308 RG5-1850-000CN Duplexer cable assembly - From duplexer to DC controller

309 RG5-1859-000CN Sensor cable - PIU PS2 sensor cable - J13 to J1205

310 RG5-1861-000CN Cable assembly - 20 pin (F) connector on each end - 39.4cm (15.5 inches) long

311 RG5-1920-000CN Cassette size sensor cable - Between cassette size sensor PCA's and formatter board

312 RG5-1921-000CN Fan cable - Fan 3 power cable

313 RG5-1928-000CN Registration cable assembly - Includes 7P and 3P connectors

314 RG5-4377-000CN Cable assembly - An 11 pin (F) connector, a 10 pin (F) connector, and two 7 pin (F) connectors - 1.1m (3.7ft) long

**Other Internal Parts****Cable**

- 315 RG5-4378-000CN Cable assembly with ferrites - Has many connectors: A 14 pin (F), an 11 pin (F), two 7 pin (F), a 5 pin (F), two 4 pin (F), and two 3 pin (F) - 85.6cm (33.7 inches) long
- 316 RG5-4381-000CN Cable assembly - 18 pin (F) connector to 25.4cm (10 inch) grounding wire with ring terminal, 35.7cm (14 inch) cable with 4 pin (F) connector, 53.3cm (21 inch) cable with 1 pin (F) connector, and 86.4cm (34 inch) cable with 4 pin (F) connector

**Cable (Interface)**

- C4781-60504 Multi-Bin mailbox interface C-link cable - 45cm (17.7 inches) long

**Cover**

- 318 RB1-6464-000CN Upper right cover

**Fan**

- 319 RH7-1266-000CN Tubeaxial fan assembly (FM2)
- 320 RH7-1271-000CN Formatter board fan (FM3)
- 321 RH7-1289-000CN Delivery assembly fan (FM4)
- 322 RH7-1396-000CN Power supply fan (FM1)
- 323 RH7-1397-000CN Tray 1 fan (FM5)

**Guide**

- 324 RB1-6771-000CN PCA guide - Formatter board support guides
- 325 RB1-6775-000CN Slide guide - Guide for formatter PCA
- 326 RB1-6776-000CN Tray rail guide - Spring loaded metal guide
- 327 RB2-3622-000CN Toner cartridge guide - Plastic piece with slot to guide toner cartridge
- 328 RG5-4364-000CN Toner cartridge guide - Rear guide - Plastic piece with slot to guide toner cartridge

**Laser/Scanner**

- 329 C4214-69003 Laser/scanner assembly  
REQUIRES RETURN OF DEFECTIVE PART
- RG5-4344-000CN *New Part for C4214-69003*

**Lever**

- 330 RB1-6692-000CN Paper sensing lever - Senses paper in face down delivery assembly
- 331 RB1-6693-020CN Paper height lever - Senses when face-down tray is full

**Motor**

- 332 RH7-1350-000CN Paper input motor

**Plate**

- 333 RF5-1464-000CN Switch/sensor board plate - Shields switch/sensor PCA

**Rail**

- 334 RB1-6777-000CN Right side tray rail

**Rod**

- 335 RB1-6778-000CN Rod - Tray connector rod for springs

**Roller**

- 336 RF5-1834-000CN Feed/separation roller - Has a blue gear on one end and blue release tab on the other - Mounts in the paper input unit assembly (4 used)

**Sensor**

- 337 WG8-0291-000CN Photo sensor

**Shield**

- 338 RF5-2678-000CN Formatter board EMI shield



### Other Internal Parts

#### Spring

339 RS5-2499-000CN Tension spring - Front spring on metal slide

#### Stop

340 RB1-6427-000CN CG stopper - Toner cartridge guide stop - Holds toner cartridge in place

341 RB1-6783-000CN Tray stop - Right side tray stopper - Attached to right rear side of Tray 2 and 3 - Blue plastic piece

### Paper Path Parts

#### Arm

342 RB1-6557-000CN Paper input unit sensor arm - Senses when paper passes through paper input unit

#### Bushing

343 RB1-6441-000CN Transfer guide bushing

#### Clutch

RG5-4308-000CN Registration assembly clutch

345 RH7-5188-000CN Paper feed clutch

*RH7-5204-000CN New Part for RH7-5188-000CN*

#### Cover

346 RB2-3631-000CN Paper feed clutch cover

#### Delivery

347 RG5-1874-110CN Face down delivery assembly - Feeds paper to top of printer

#### Diverter

348 RG5-4325-000CN Diverter assembly - Diverts paper to duplexer assembly or face up tray or face down delivery assembly

#### Drive Assembly

349 RF9-1249-000CN Diverter drive assembly - 4 gear drive assembly - 20 tooth gear NOT included

350 RG5-4365-000CN Main drive gear assembly

#### Feed Assembly

351 RG5-4305-000CN Feeder assembly - Transfer roller and registration assembly are mounted on this assembly

#### Guide

RF5-1394-000CN Transfer guide - Guide transfer roller is mounted into

353 RF5-2676-000CN Transfer guide

#### Holder

354 RB1-6461-000CN Damper holder - Front damper holder

355 RB1-6462-000CN Damper holder - Rear damper holder

#### Kit

C3914-67902 Maintenance kit (120V) - Replacement parts after 350K pages includes, fusing assembly, eight feed/separation rollers, and transfer roller - NOTE: Pickup rollers are not included in this kit - Please order separately if needed

C3914-69001 Maintenance kit (120V) - Replacement parts after 350K pages includes, fusing assembly, eight feed/separation rollers, and transfer roller - NOTE: Pickup rollers are not included in this kit - Please order separately if needed  
REQUIRES RETURN OF DEFECTIVE PART

*C3914-67902 New Part for C3914-69001*

C3915-67902 Maintenance kit (220V) - Replacement parts after 350K pages includes, fusing assembly, eight feed/separation rollers, and transfer roller - NOTE: Pickup rollers are not included in this kit - Please order separately if needed

C3915-69001 Maintenance kit (220V) - Replacement parts after 350K pages includes, fusing assembly, eight feed/separation rollers, and transfer roller - NOTE: Pickup rollers are not included in this kit - Please order separately if needed  
REQUIRES RETURN OF DEFECTIVE PART

*C3915-67902 New Part for C3915-69001*



### Paper Path Parts

#### Motor

360 RH7-5219-000CN Main motor

#### Pad

361 RF5-2703-000CN Separation pad - Tray 1 separation pad

#### Pickup Assembly

362 C4214-69017 Paper pickup assembly - Includes pickup, feed and separation rollers  
REQUIRES RETURN OF DEFECTIVE PART

*RG5-4334-260CN New Part for C4214-69017*

363 RG5-4330-000CN Paper pickup assembly

#### Plate

364 RB1-6582-020CN Upper paper guide plate

#### Roller

365 RB1-9526-000CN Pickup roller - Used in tray 1 paper pickup assembly

366 RF9-1394-000CN Transfer roller - Transfer charge roller (Black)

367 RG9-1361-000CN Transfer roller assembly - Includes transfer guide, both transfer bushings and transfer roller

#### Roller Assembly

368 RG5-4303-030CN Registration assembly - Set of rollers before toner cartridge and after feed rollers - Has green handle with the number 2 printed on it

#### Shield

RB1-6749-000CN Internal cover for Tray 1 pickup assembly

#### Solenoid

370 RG5-1875-000CN Face up solenoid assembly

#### Spring

371 RB1-6558-020CN Sensor arm torsion spring - Holds tension on PIU paper sensor arm

### Power Supplies and Parts

#### Fuse

372 VD5-0056-301CN Low voltage power supply fuse - For 110/120V operation

373 VD7-0646-301CN Low voltage power supply fuse - For 220/240V operation

#### Power Supply

374 C4214-69020 Low voltage power supply (120v,60Hz) - Includes power switch, AC receptacle and DC power supply  
REQUIRES RETURN OF DEFECTIVE PART

*RG5-4357-000CN New Part for C4214-69020*

375 RG5-4301-000CN Low voltage power supply - 240VAC, 50Hz - Includes power switch, AC receptacle and DC power supply

376 RG5-4306-050CN High voltage power supply assembly

#### Power Supply Kit

C4789A Power supply kit - For connecting a multi-bin mailbox to printer when printer is on a stand

### Scanner Flatbed Parts

#### Bushing

378 PA03002-C206FJ Rail bushing - Carrier unit support bushing

#### Cable

379 PA03002-C125FJ Front panel cable - Between front panel and junction PCA

380 PA03002-C204FJ Carrier flex cable - From carrier unit to junction PCA

#### Carrier

381 C4230-50000 Carrier unit assembly - Holds optical scanner for flatbed scanner portion of copier



**Scanner Flatbed Parts****Collar**

382 PA03002-C214FJ Carrier tension pulley collar - Sleeve that carrier pulley tension spring slides over

**Cover**

383 PA03002-C104FJ Flatbed cover assembly - With paper chuter flip out and document holding pad

384 PA03002-C256FJ Carrier unit dust cover

**Cover Pad**

385 PA03002-C267FJ Junction PCA cover - Protects junction PCA

386 PA03002-C270FJ Front panel cable cover - Protects front panel cable

**Extension**

387 PA03002-C260FJ Paper chute flip out - Flip out paper tray extension

**Ferrite Assembly**

388 PA03002-C262FJ Ferrite core - Attaches to the carrier ribbon cable

**Foot**

389 PA03002-C218FJ Rubber foot

**Glass Assembly**

390 PA03002-C219FJ Glass plate assembly - Copier flatbed glass, frame and lower ADF exit roller assembly

**Lamp**

391 PA03002-C114FJ Lower lamp - Front side of carrier unit

**Motor**

392 PA03002-C116FJ Carrier unit motor

**Pad**

393 PA03002-C105FJ Document holding pad - Foam piece on bottom of flatbed cover that holds document to copier glass

**Pulley**

394 PA03002-C210FJ Carrier tension pulley - Carrier belt idler pulley

**Rail**

395 PA03002-C205FJ Carrier rail - Carrier unit front support rail

**Sensor**

396 PA03002-C207FJ Home position sensor - Senses when carrier unit is parked in the home position

**Shaft**

397 PA03002-C211FJ Carrier tension pulley shaft - Axle for carrier belt tension pulley

**Spacer**

398 PA03002-C213FJ Carrier tension pulley spacer

**Spring**

399 PA03002-C208FJ Frame ground spring

400 PA03002-C209FJ Idle roller coil spring - Provides tension for idle roller

401 PA03002-C212FJ Carrier spring - Provides tension for carrier belt pulley

**Stop**

402 PA03002-C226FJ Document cover rubber stop

**Tool**

403 PA03002-C259FJ Lubrication applicator - Carrier unit rail lubricator

**Scanner Internal Parts****Bracket**

404 PA03002-C222FJ Output tray bracket - Rear ADF output tray mount

405 PA03002-C223FJ Output tray bracket - Front ADF output tray mount

**Scanner Internal Parts****Cable**

- 406 PA03002-C203FJ DC cable - From power supply to copier logic board
- 407 PA03002-C229FJ CCD cable - From control PCA to CCD PCA on optical unit

**Cable (Interface)**

- 408 8120-8749 IEEE-1394 (FireWire) cable with two ferrites - 6 pin to 6 pin - 1.9m (6.3ft) long

**Fan**

- 409 PA03002-C118FJ PC board cooling fan assembly

**Ring**

- 410 PA03002-C225FJ V2 HK ring - Special application spacer

**Roller**

- 411 PA03002-C224FJ Exit idle roller

**Shield**

- 412 PA03002-C202FJ RFI cover shield for PC boards

**Stapler Components****Bed**

- 413 C3766-60503 Stapling unit bed assembly - Includes sliders that move sheets of paper to stapling position

**Brush**

- 414 C3766-60508 Stapling unit antistatic brush - Eliminates static charge on paper

**Cable**

- 415 C4787-60507 Stapler unit C-link cable - Has two high density 15 pin (M) connectors - 91.4cm (36 inches) long

**Cover**

- 416 C3766-60501 Stapling unit top cover

**Guide**

- 417 C3766-60507 Stapling unit wire form guide

**Hinge**

- 418 C3766-60506 Stapling unit hinges - Set of 2

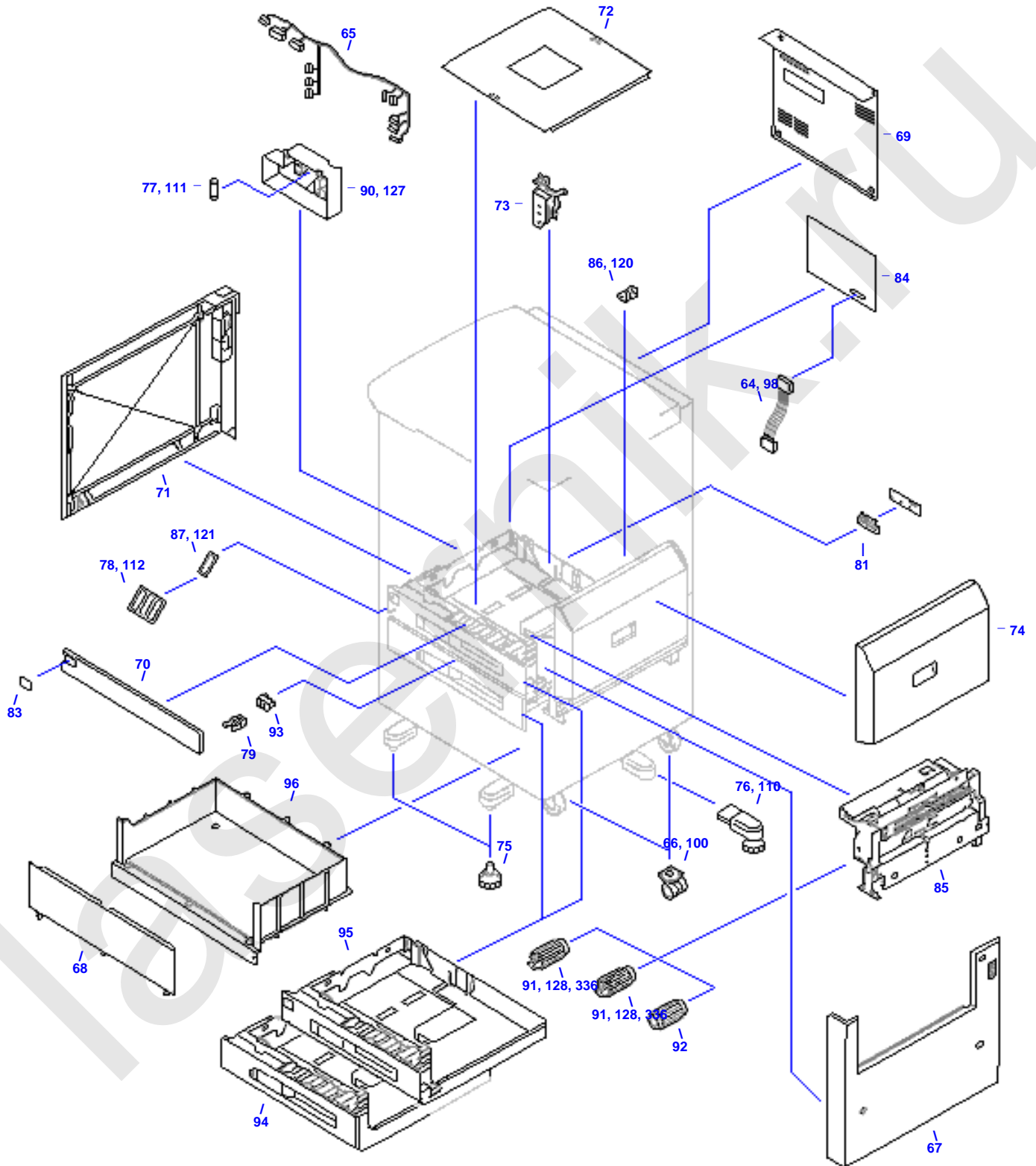
**PC Board**

- 419 C4787-60514 Stapling unit control board

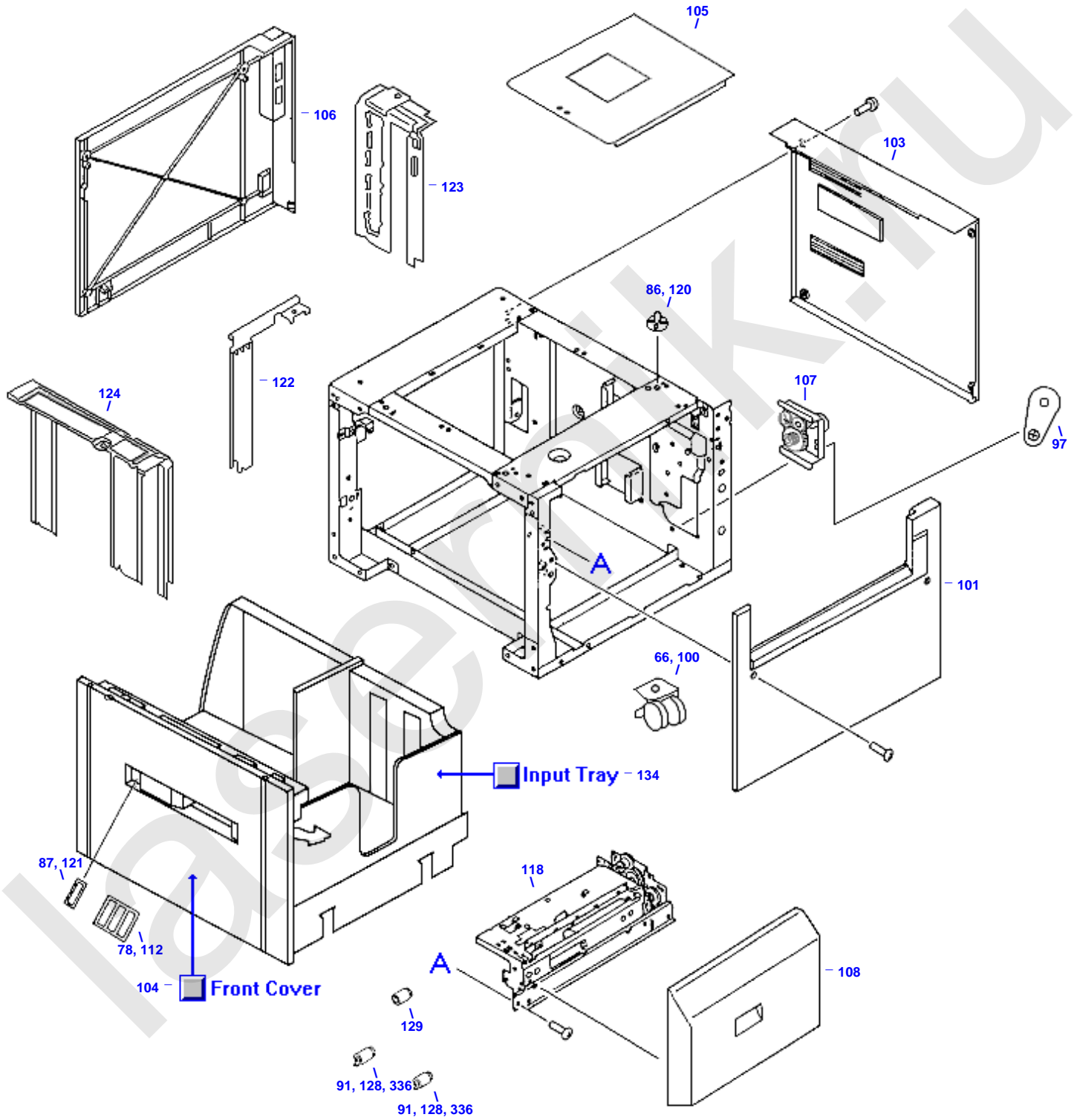
**Plate**

- C3766-60505 Stapling Unit Back Plate - Covers rear of Stapling Unit

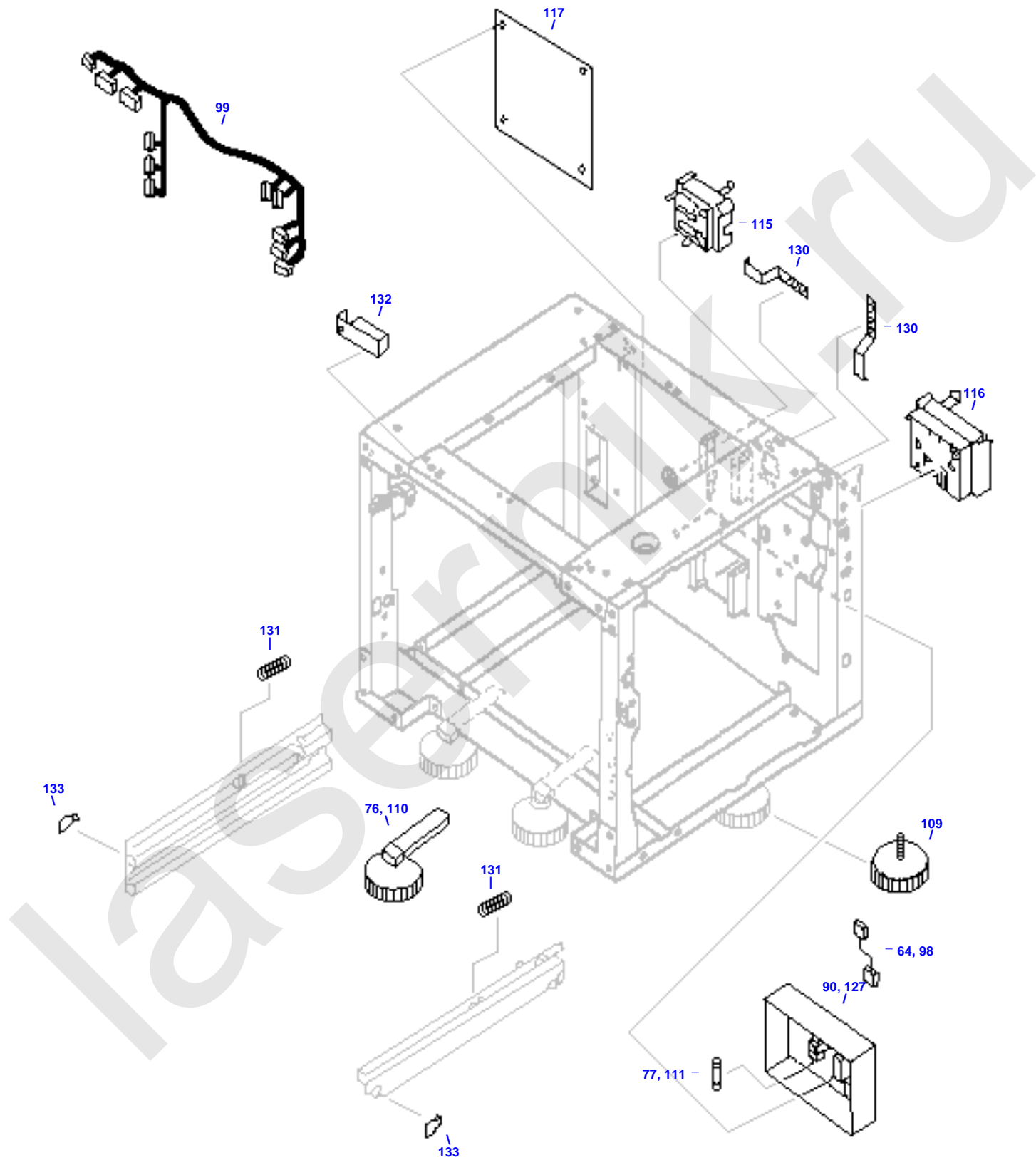
2 X 500 Input Tray



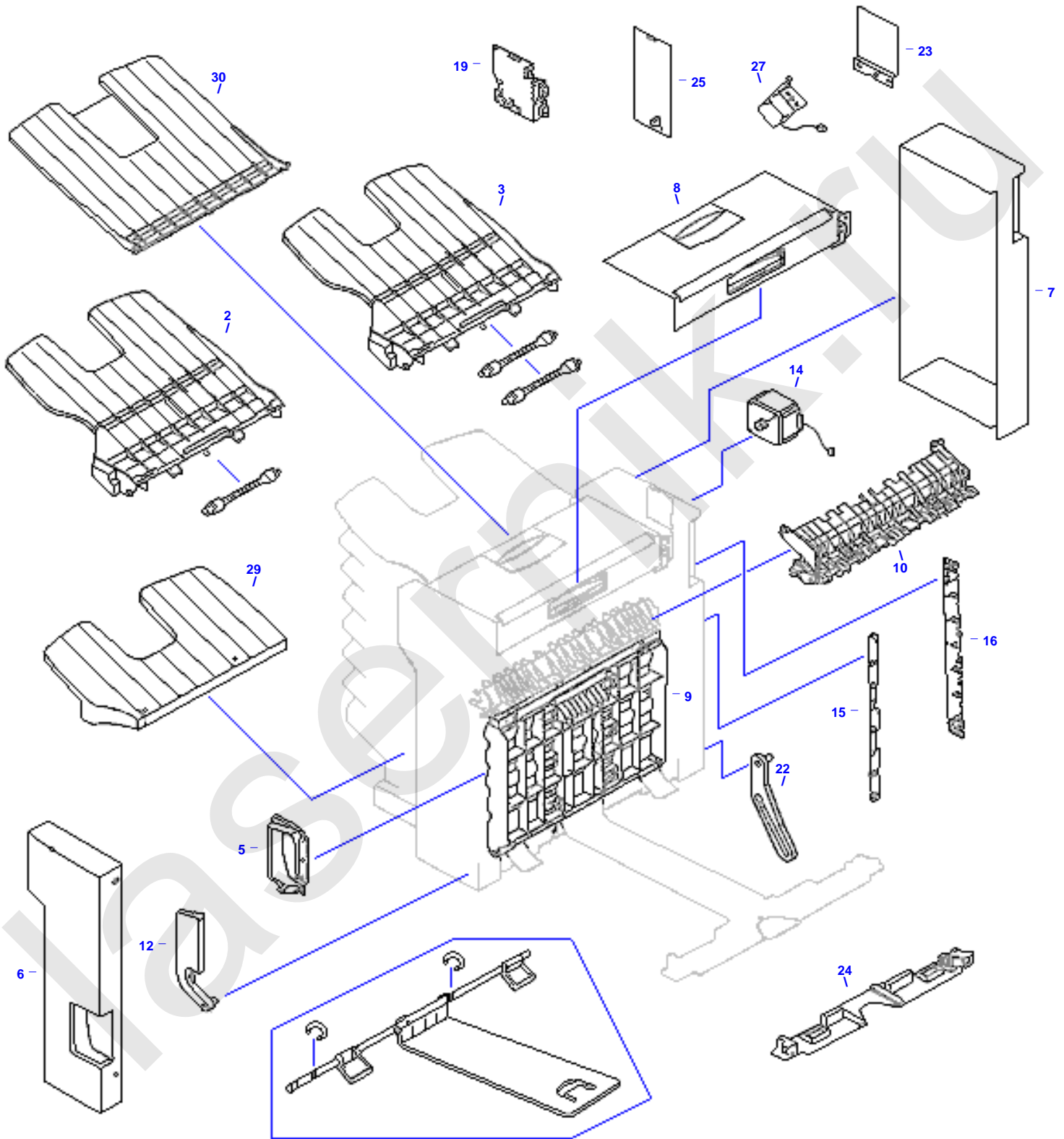
2000 Sheet Input Tray (1 of 2)



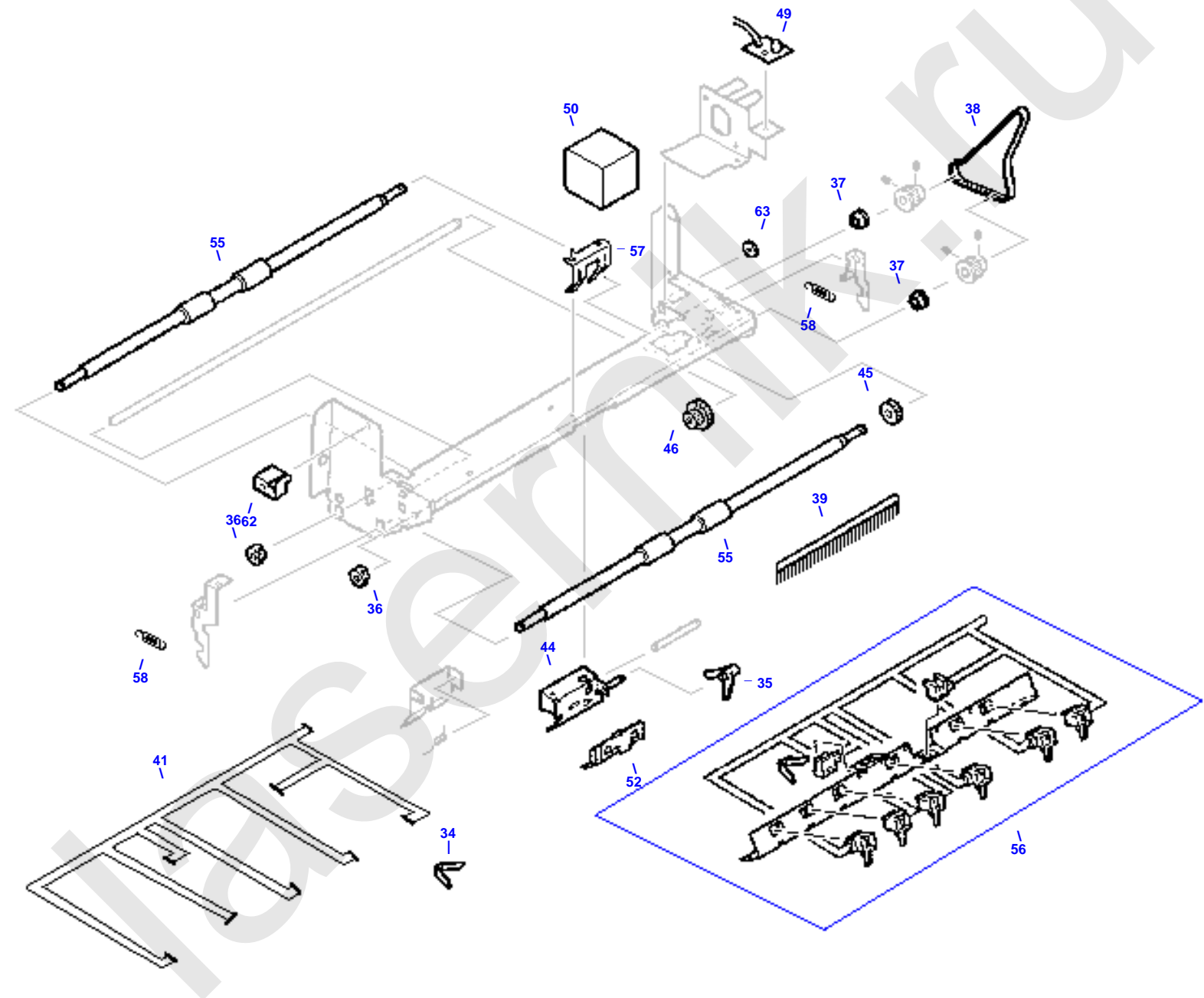
2000 Sheet Input Tray (2 of 2)



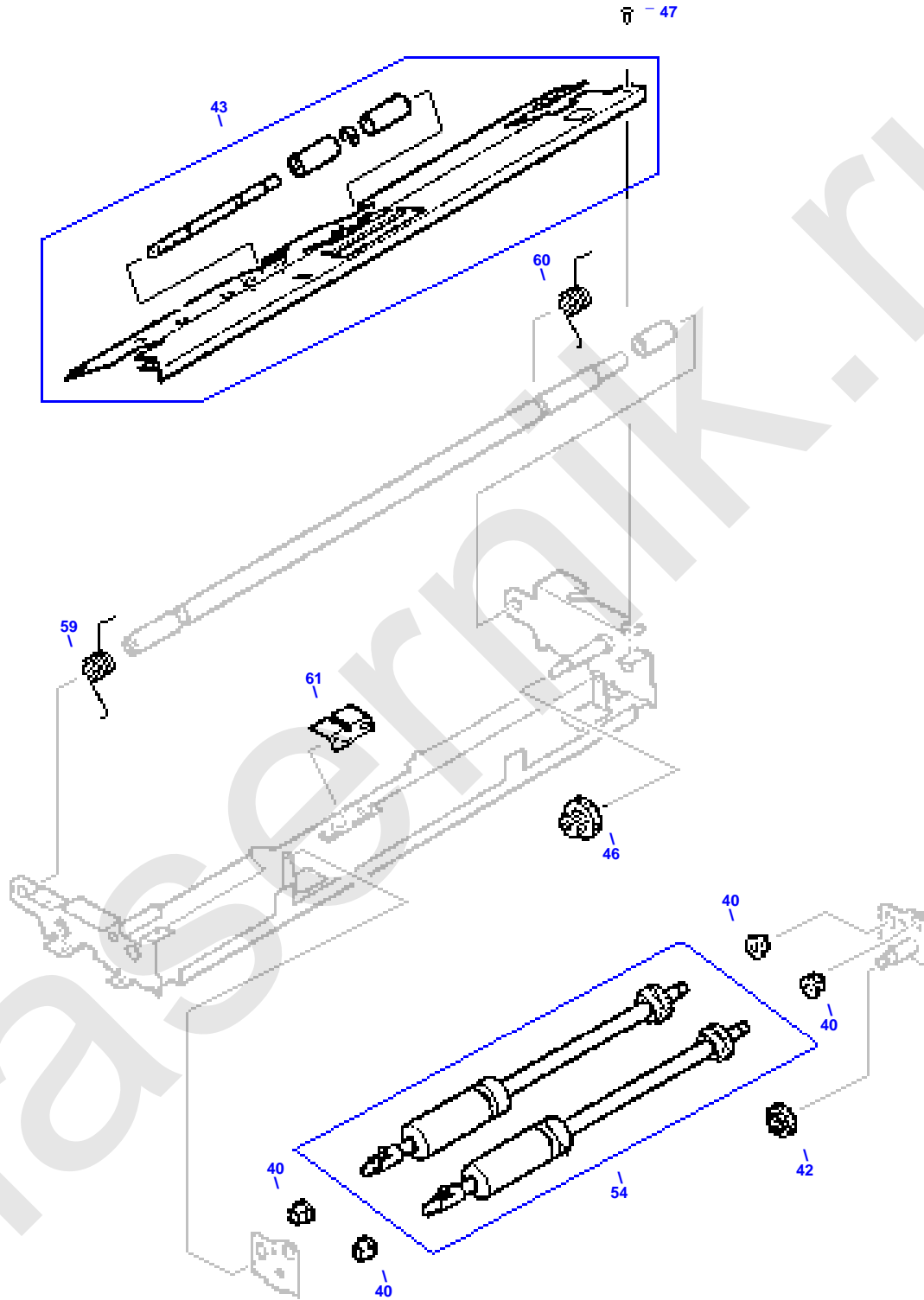
7-bin Tabletop Mailbox



ADF Unit (1 of 2)



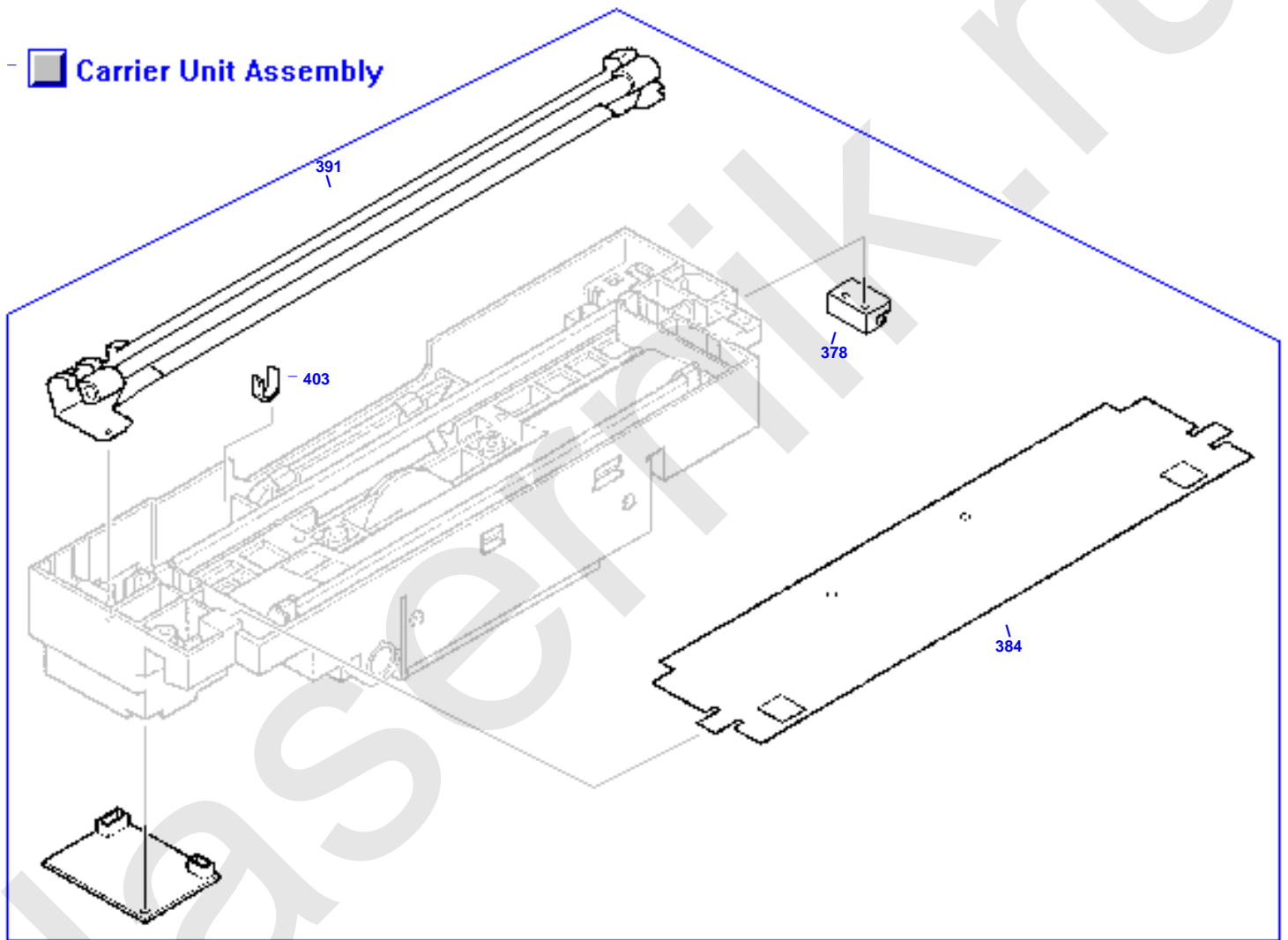
ADF Unit (2 of 2)



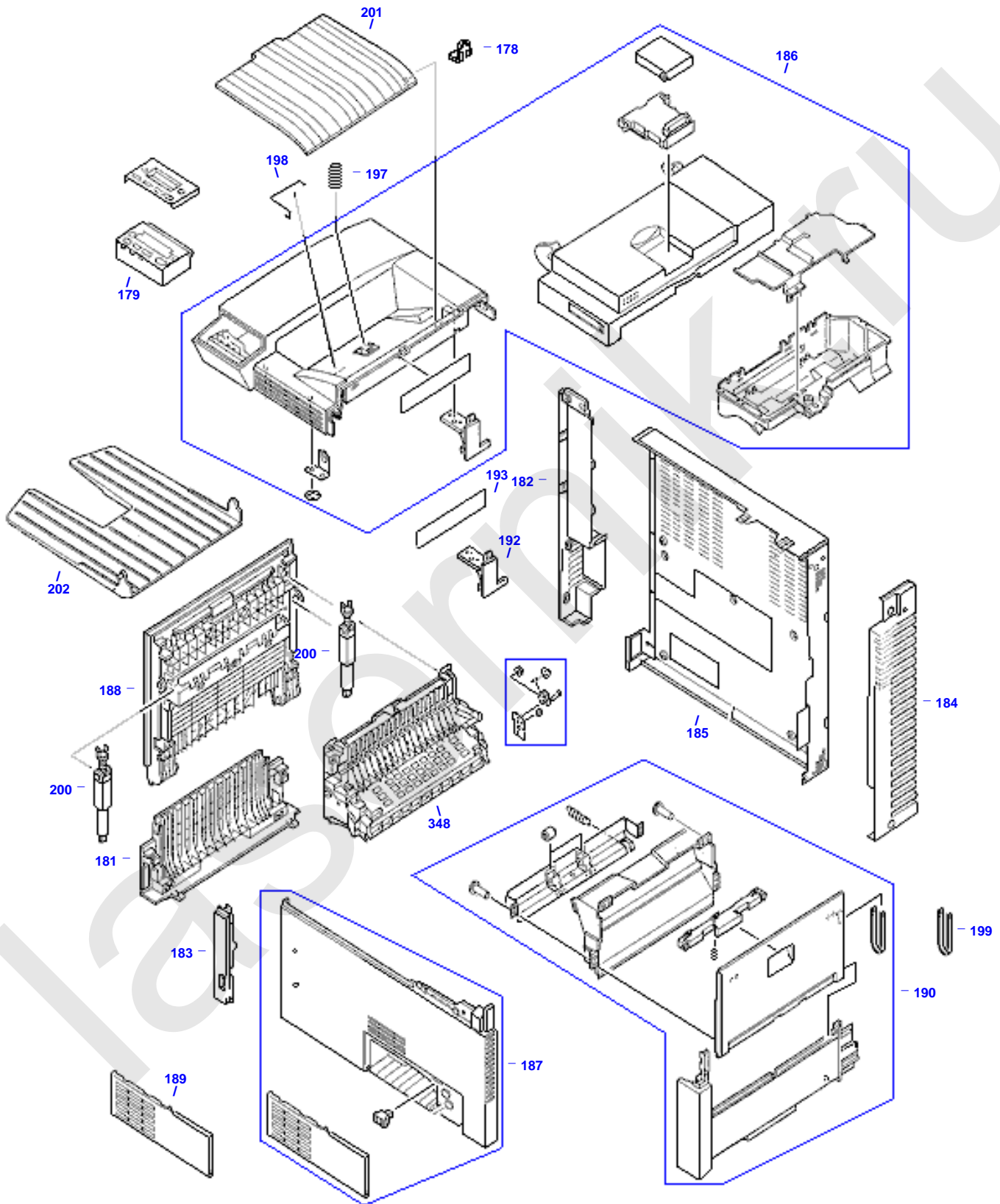


Carrier Unit

381 -  Carrier Unit Assembly

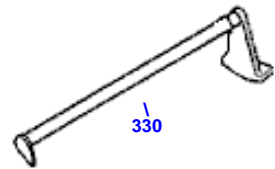
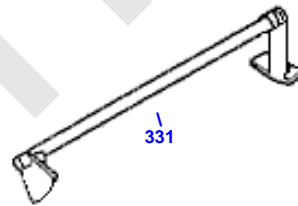
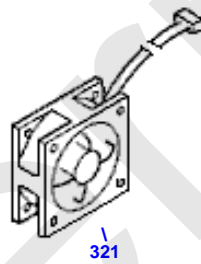
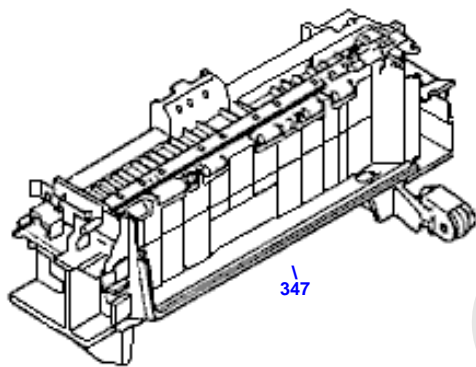


Covers and Doors

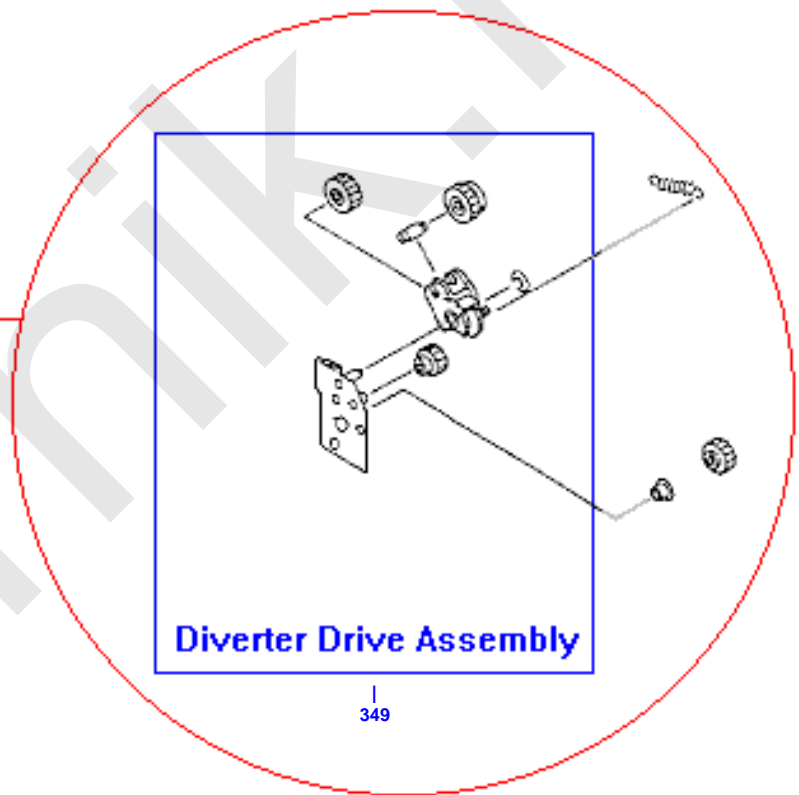
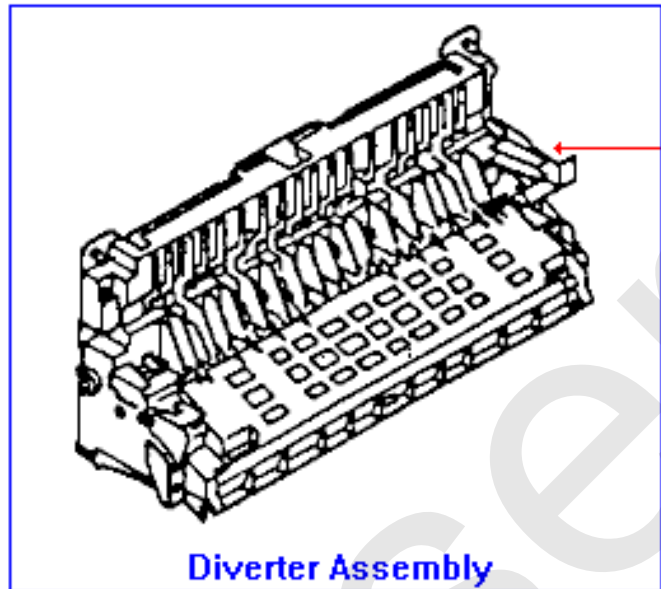


Delivery Assembly

7-  Delivery Assembly

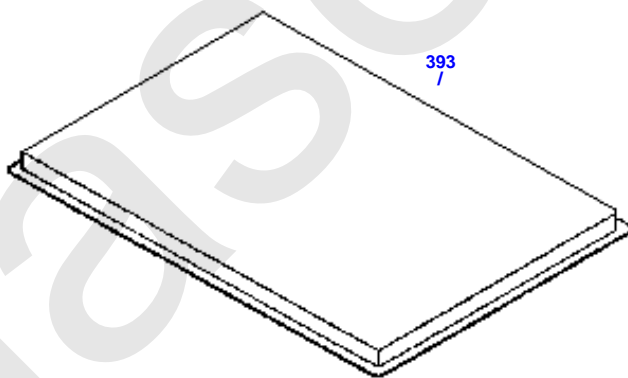
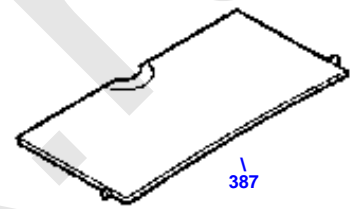
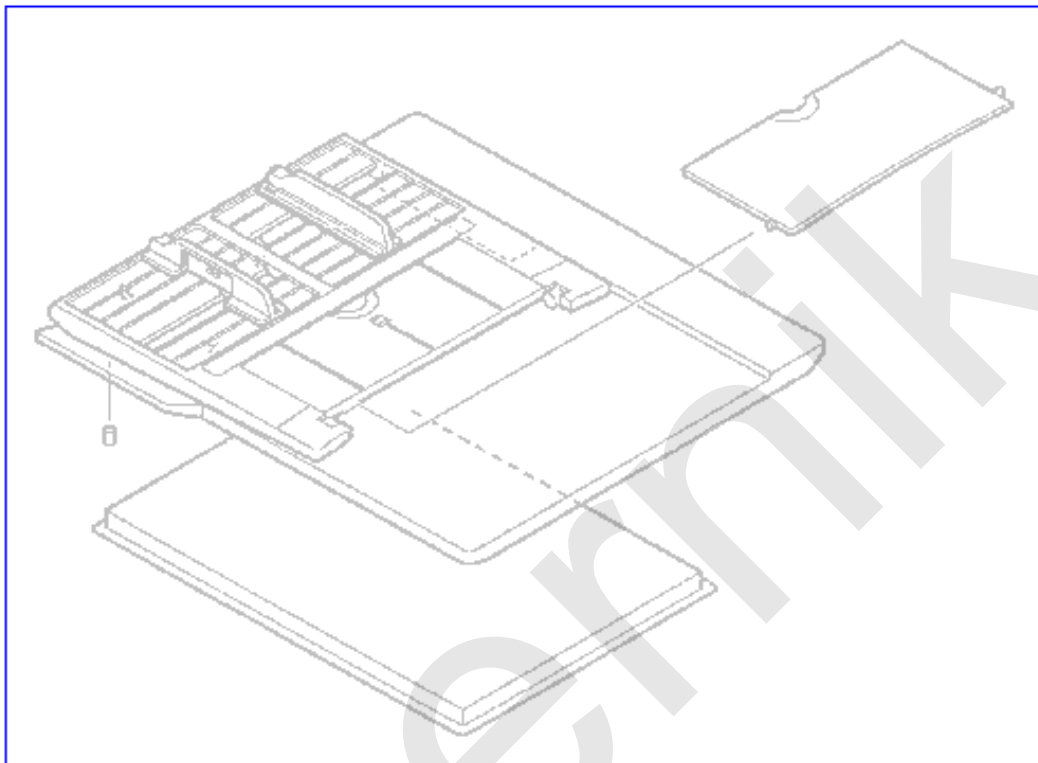


Diverter Assembly



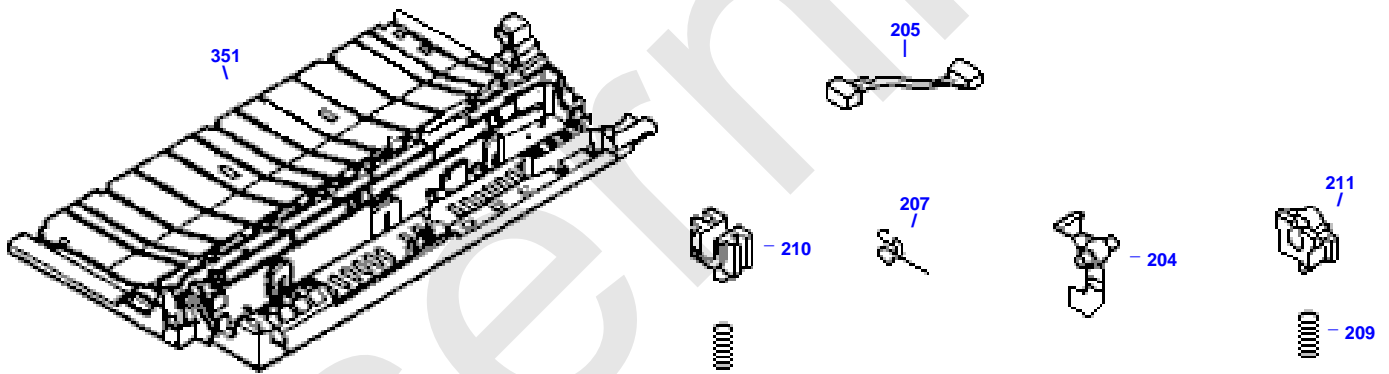
Document Cover Assembly

383 -  Document Cover Assembly

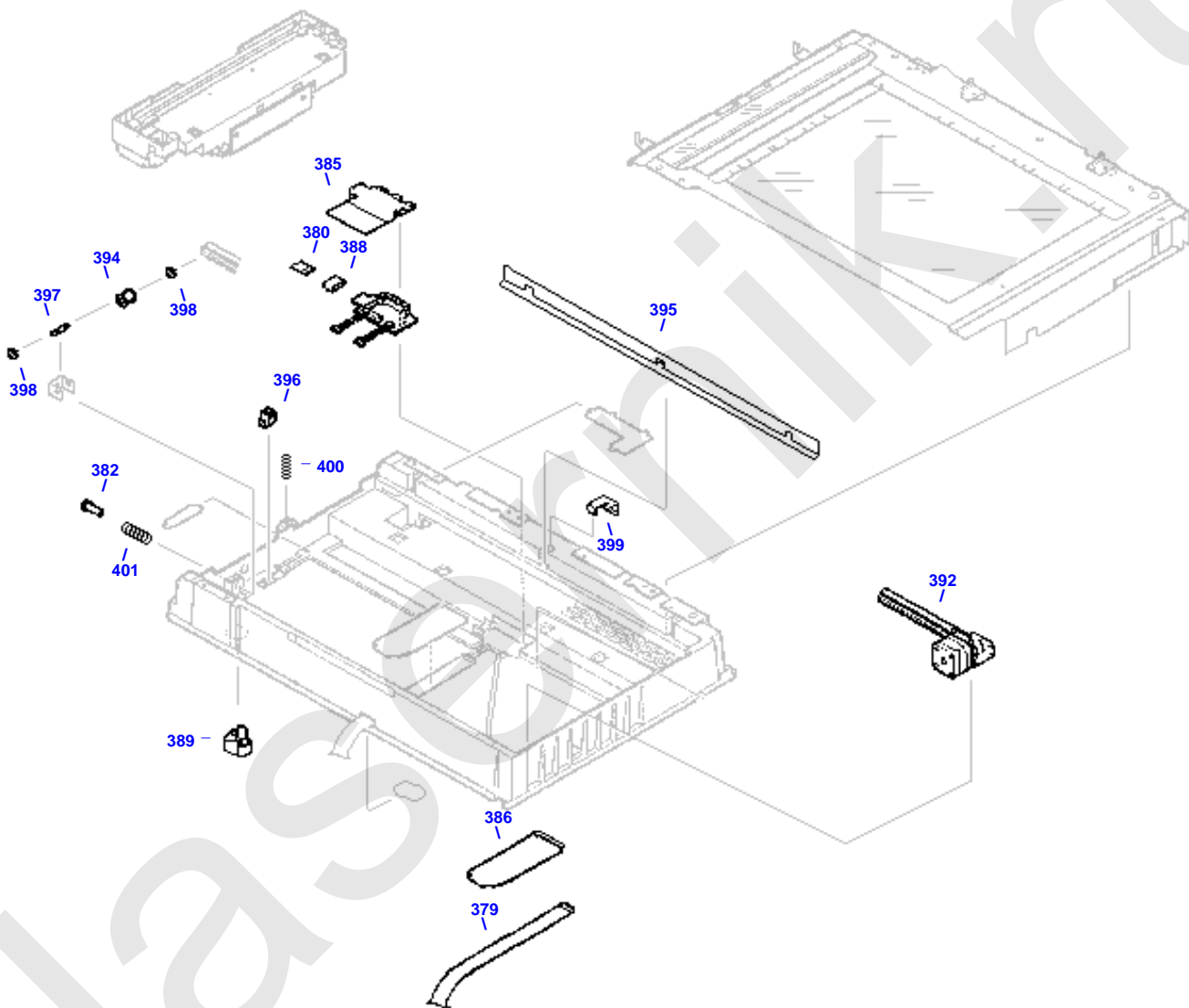


Feeder Assembly

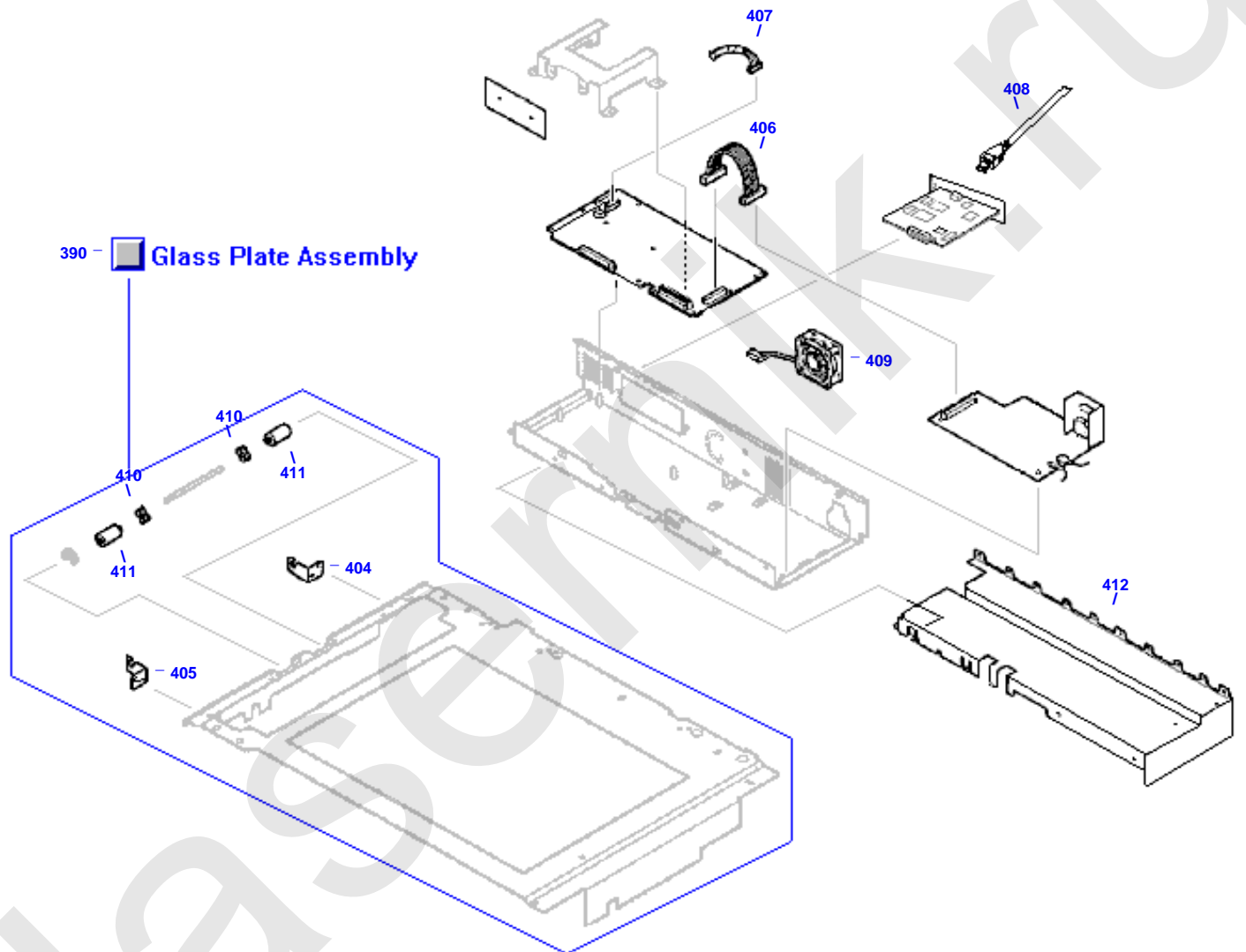
351 -  Feeder Assembly



Flatbed Parts



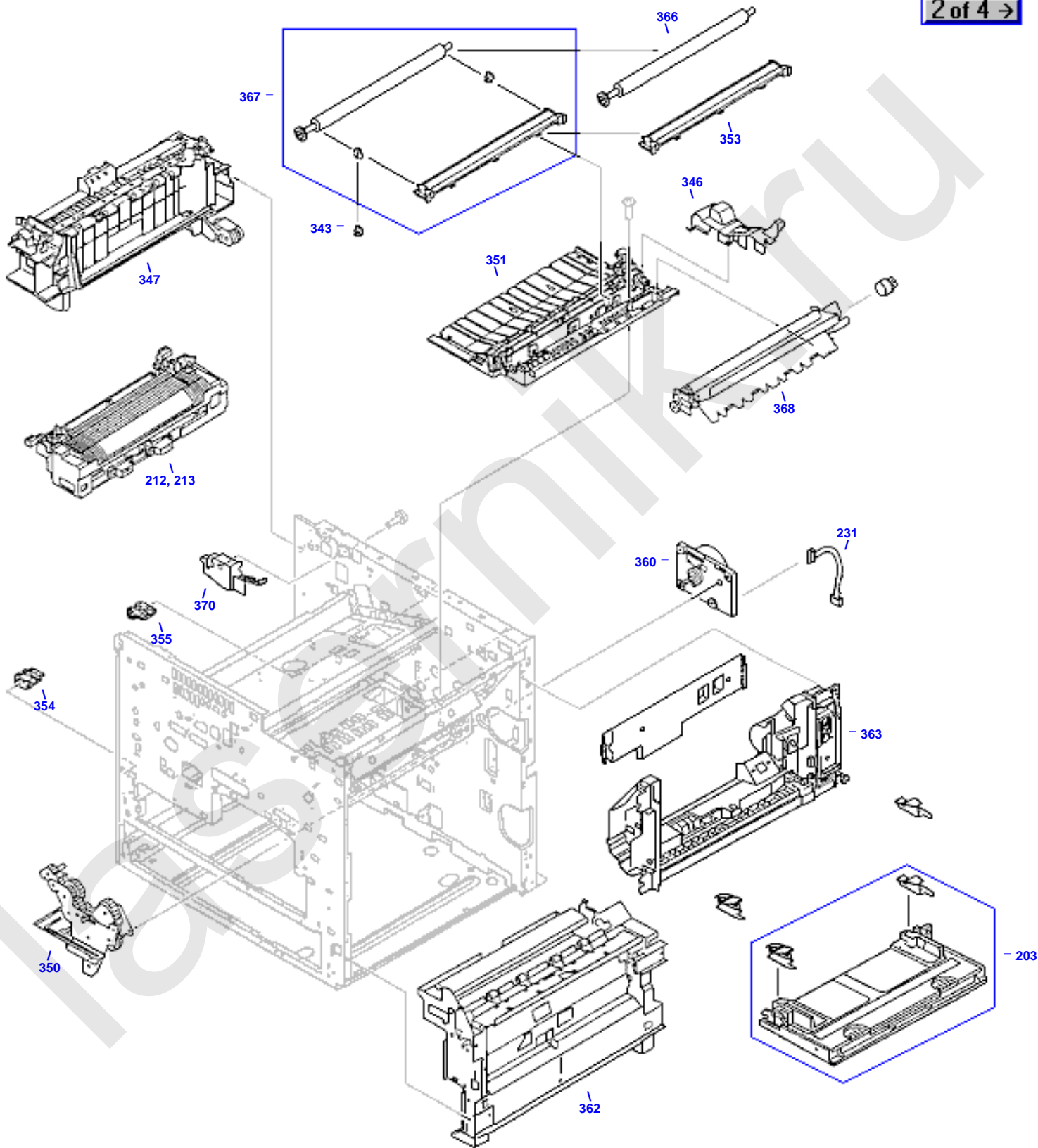
Glass Plate and PCA Assembly





Internal Components (1 of 4)

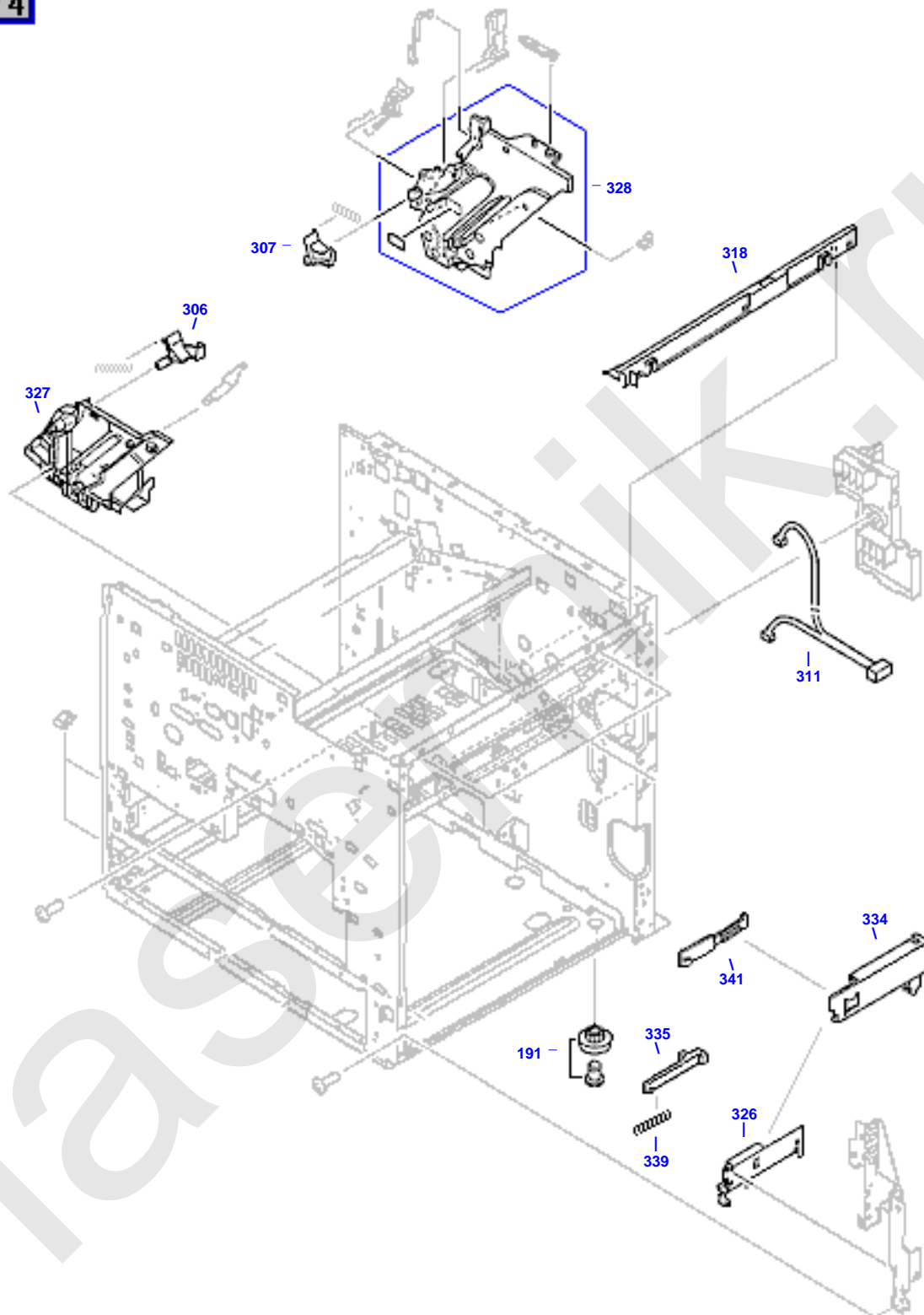
2 of 4 →



Internal Components (2 of 4)

← 1 of 4

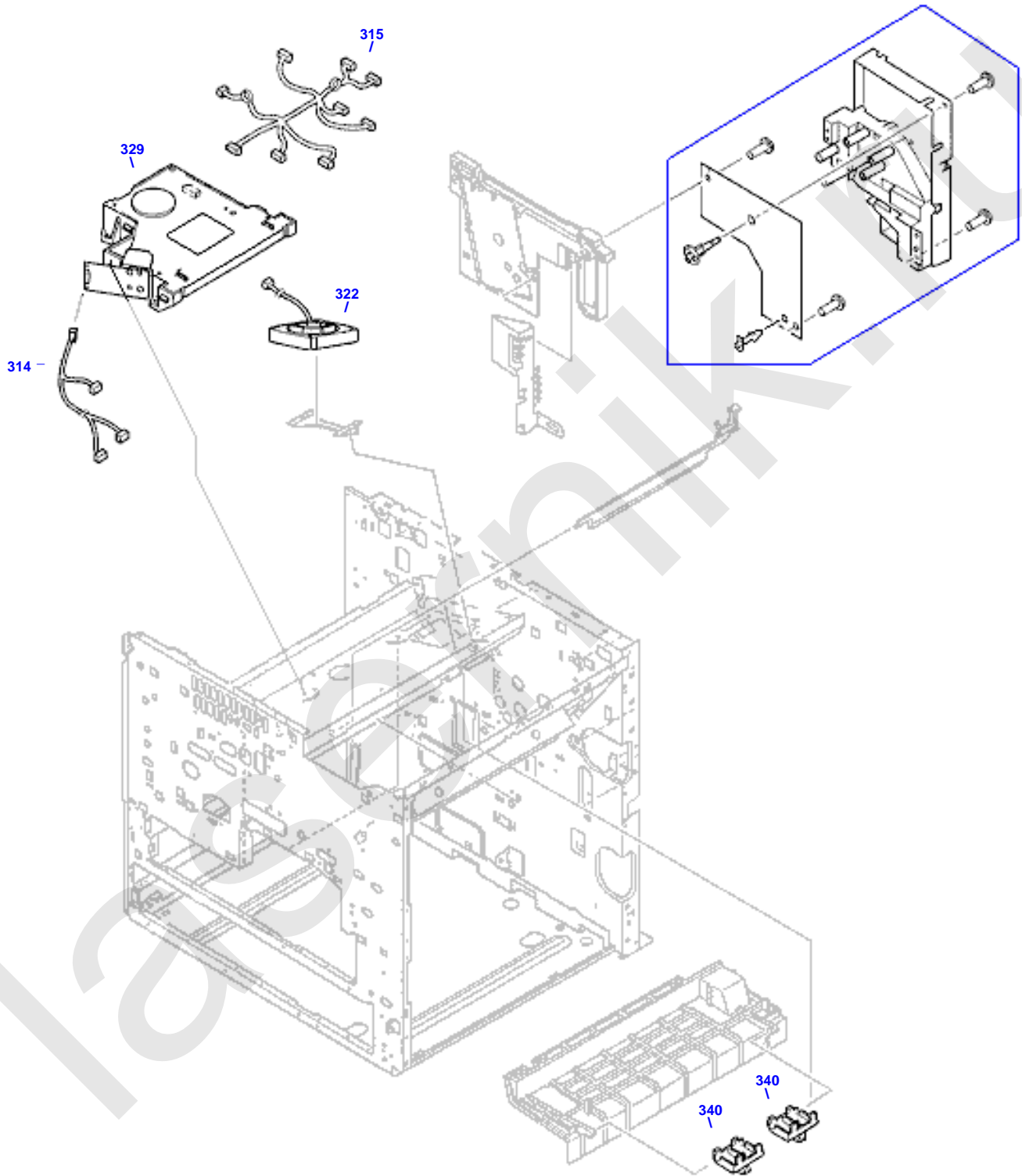
3 of 4 →



Internal Components (3 of 4)

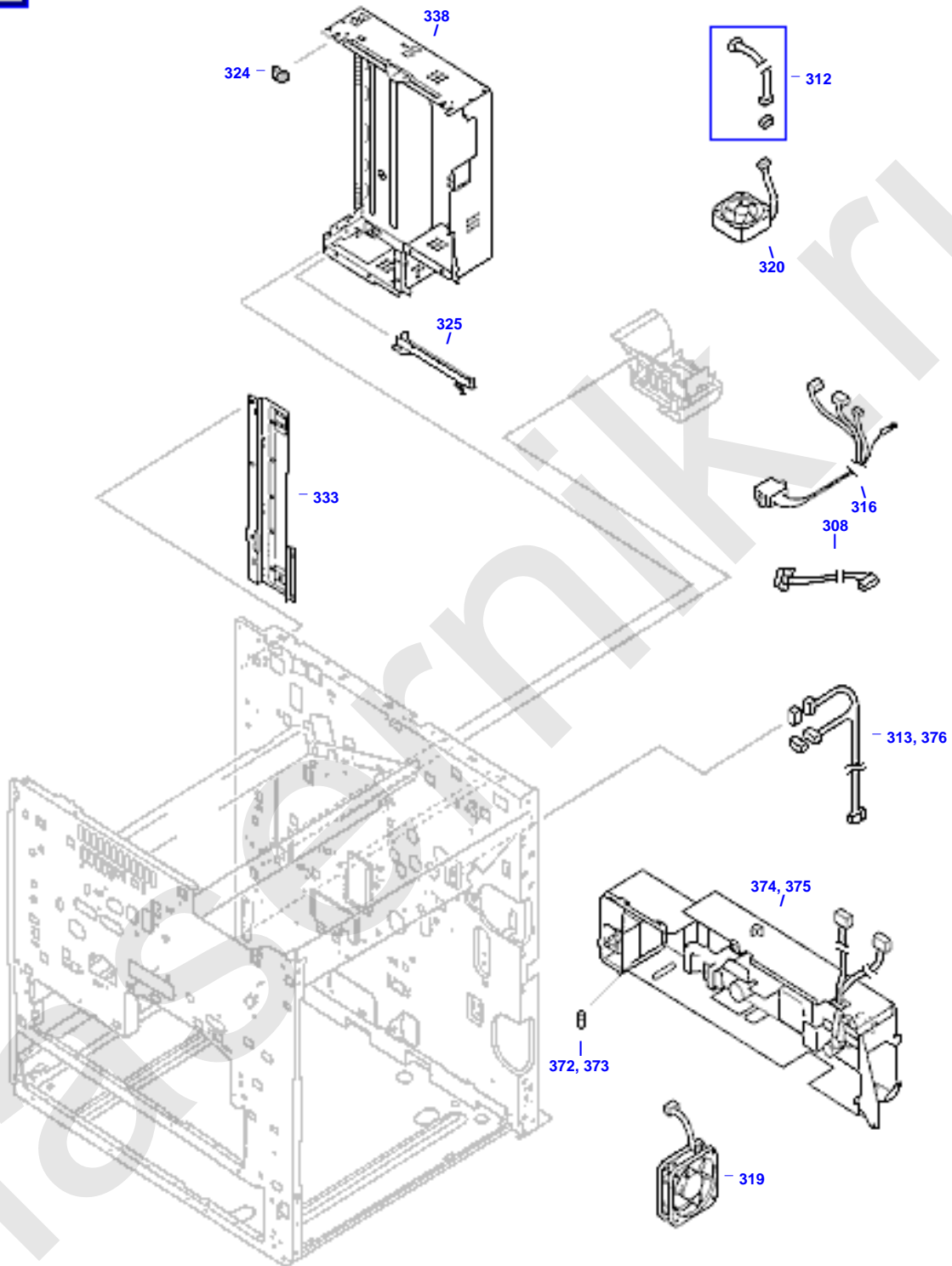
← 2 of 4

4 of 4 →

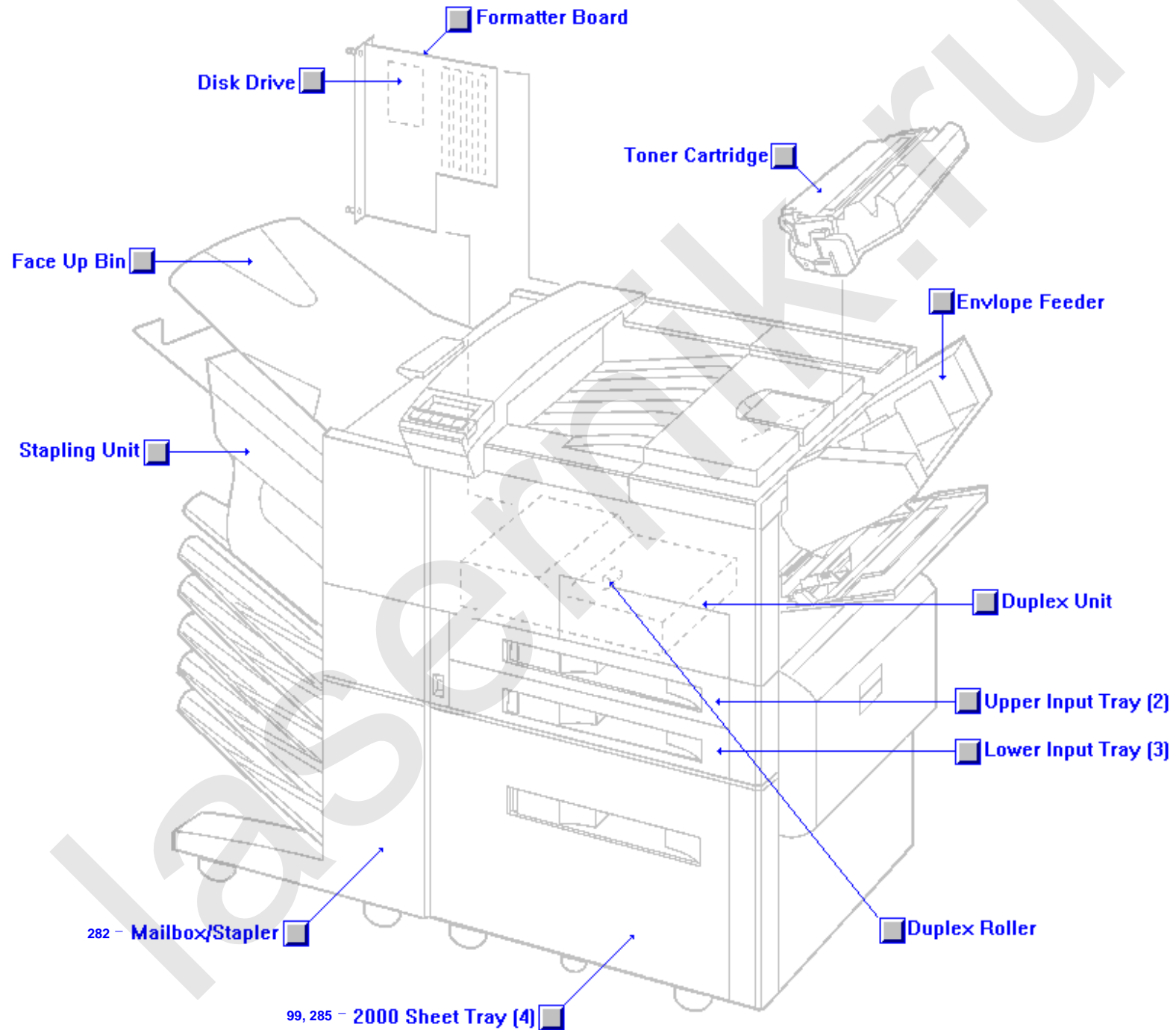


Internal Components (4 of 4)

← 3 of 4

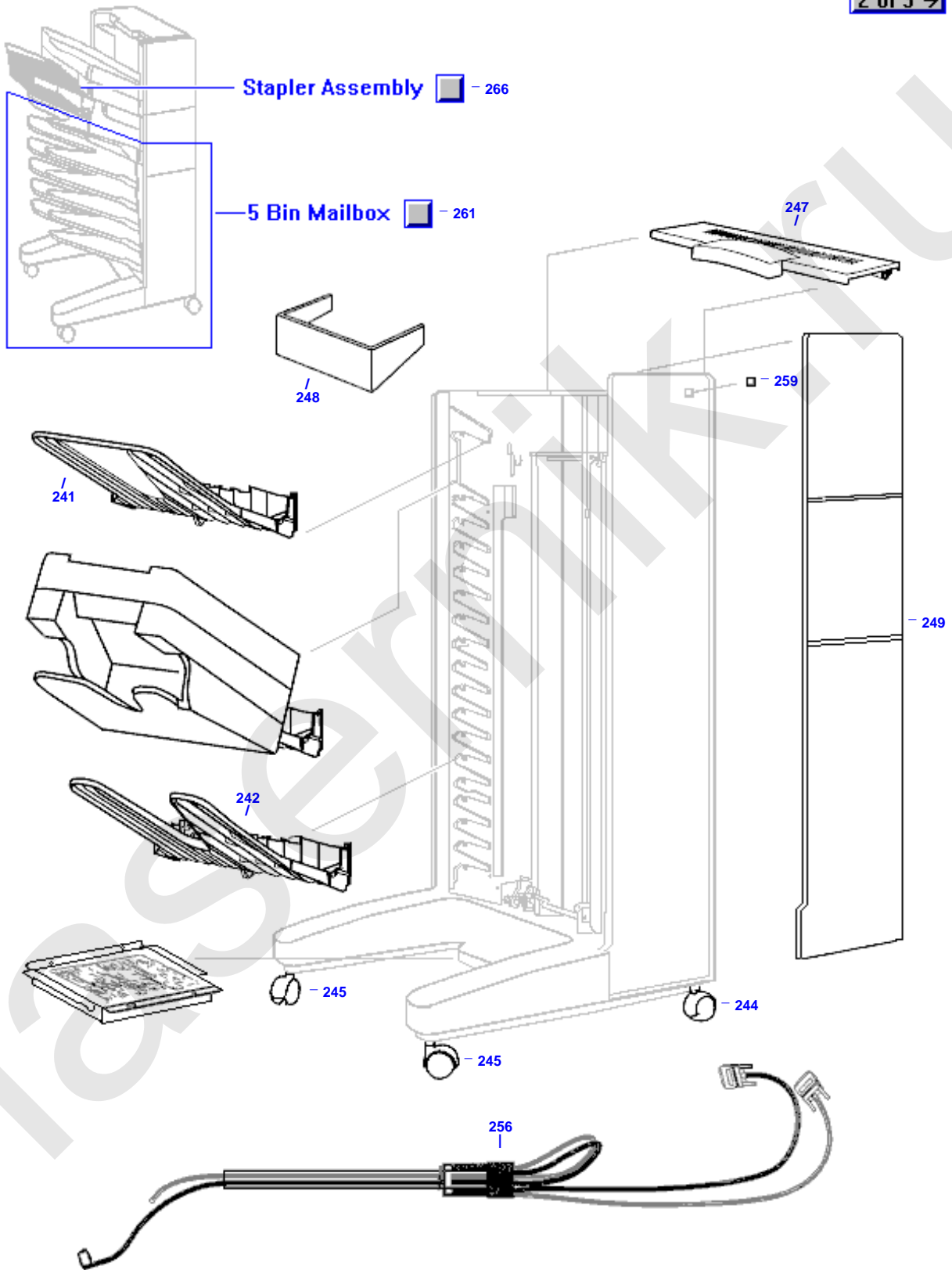


Major Printer and Paper Handling Parts



Multibin Mailbox (1 of 3)

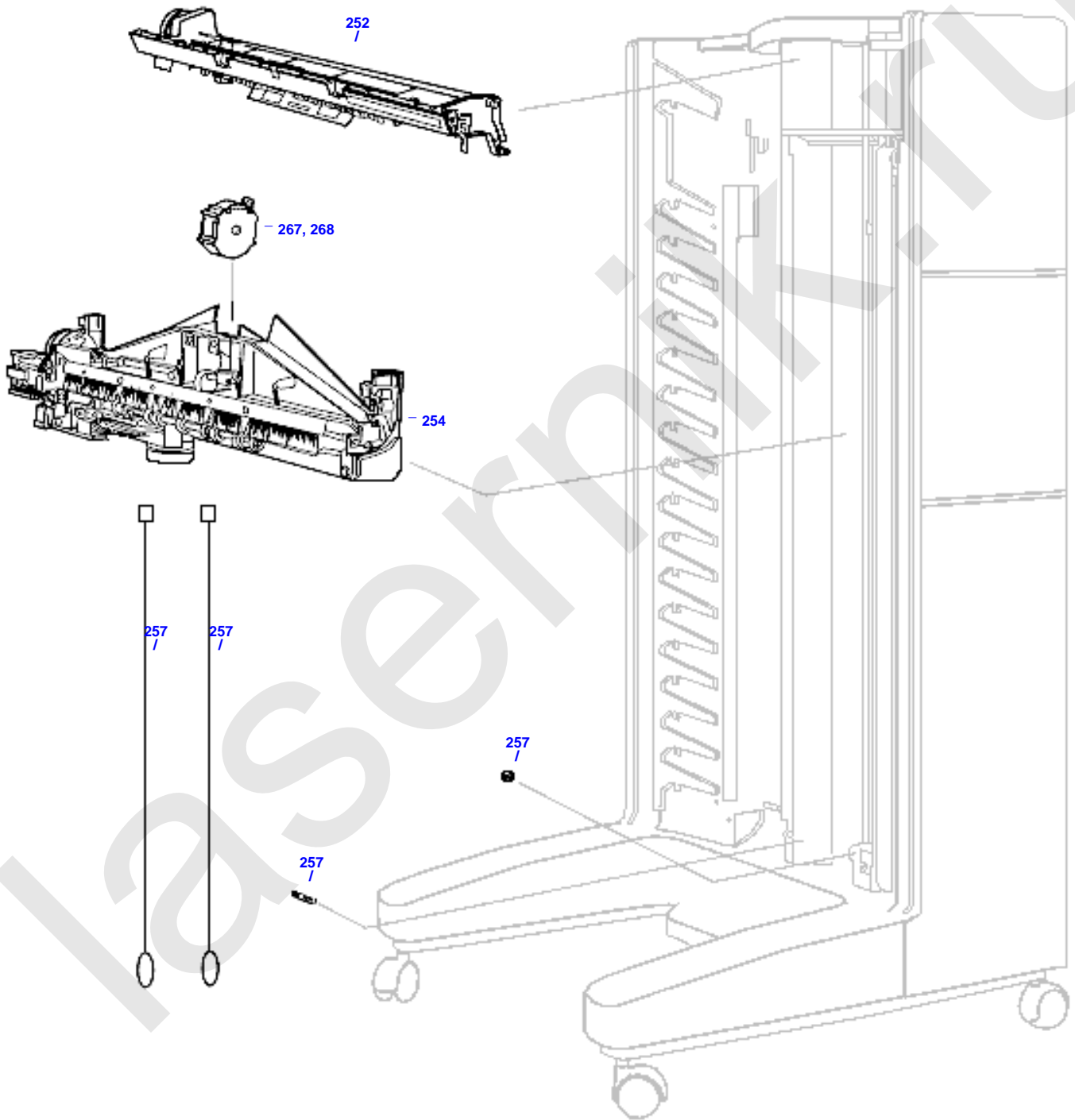
2 of 3 →



Multibin Mailbox (2 of 3)

← 1 of 3

3 of 3 →

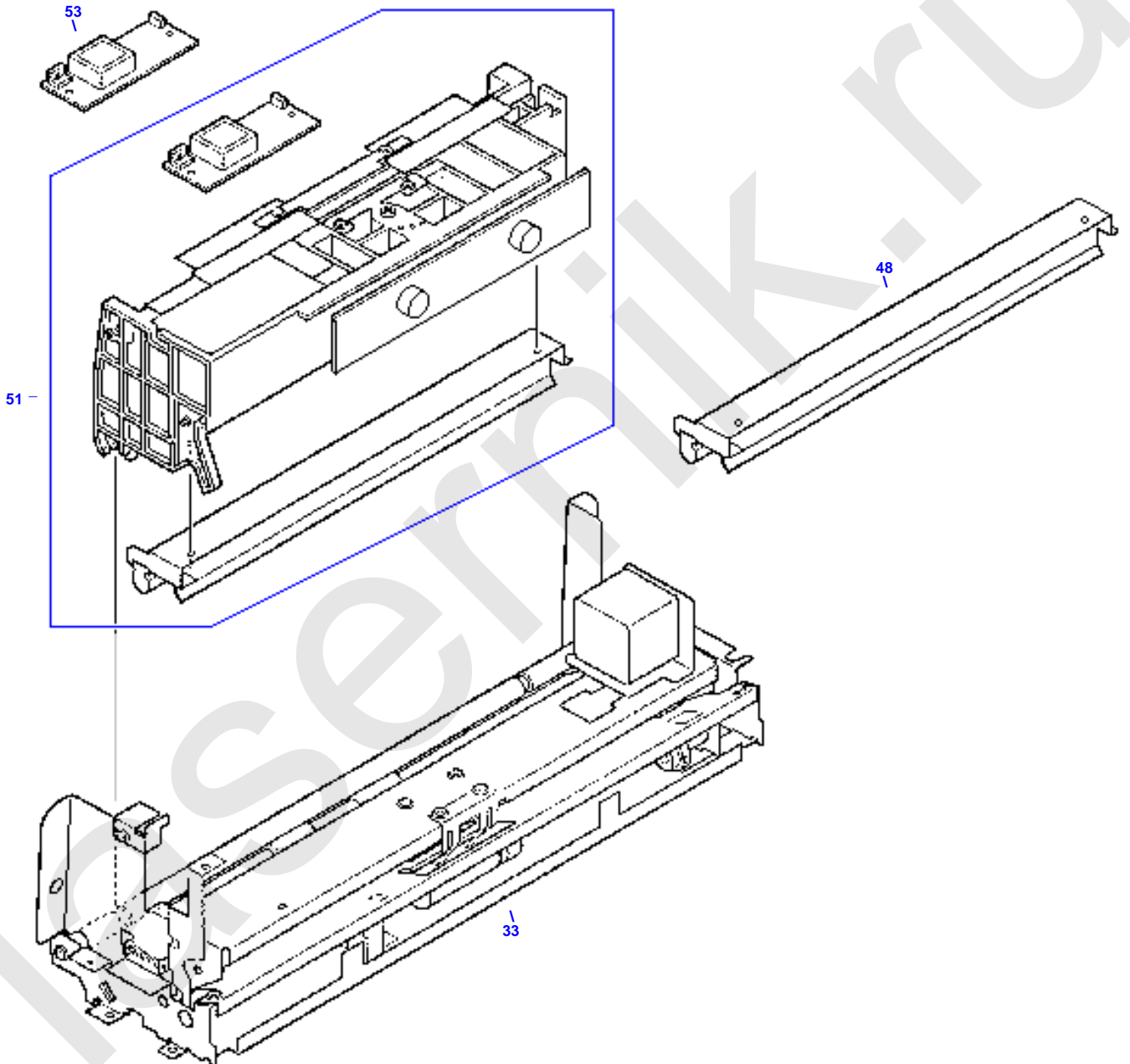






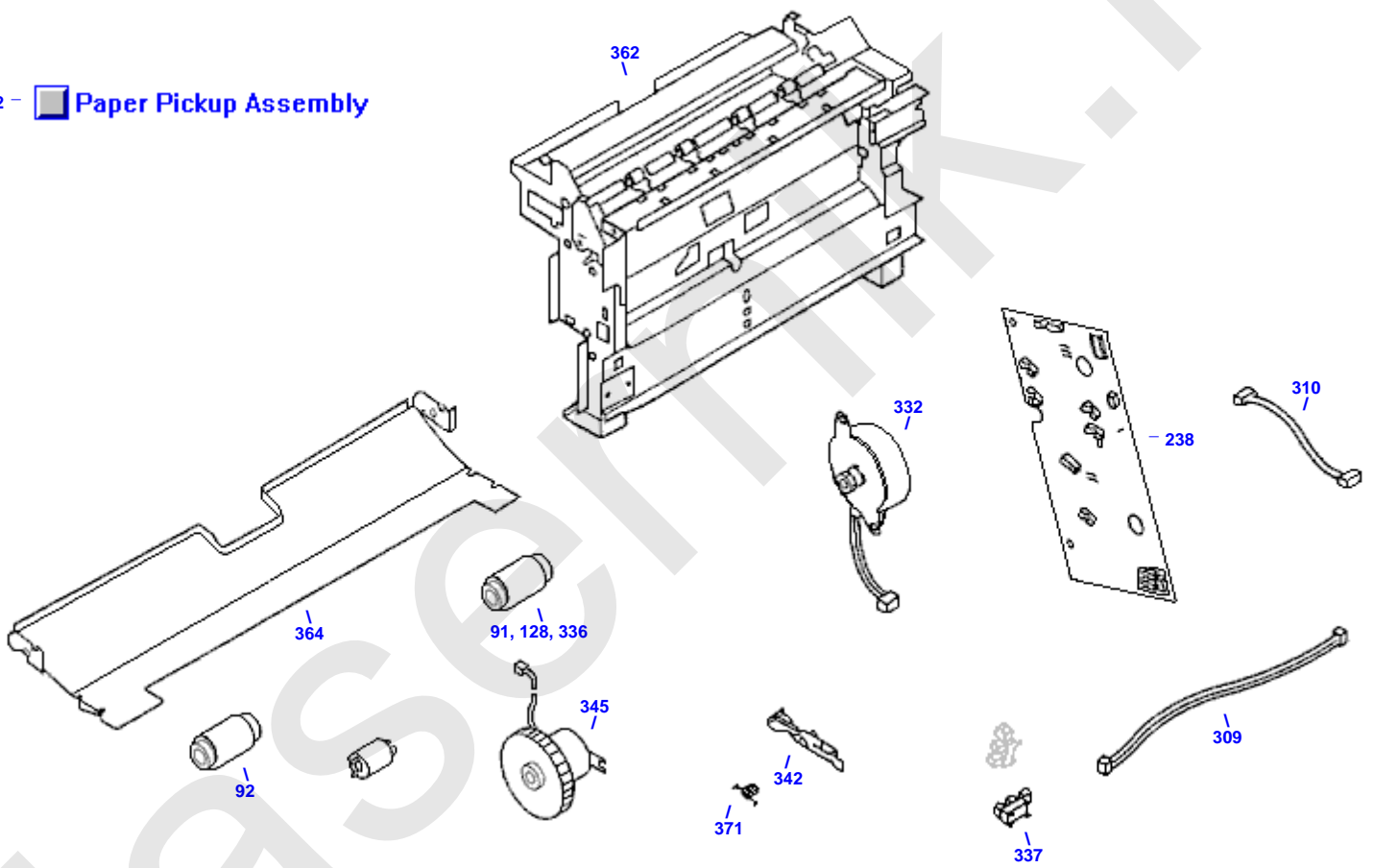
Optical Unit

51 -  Optical Unit



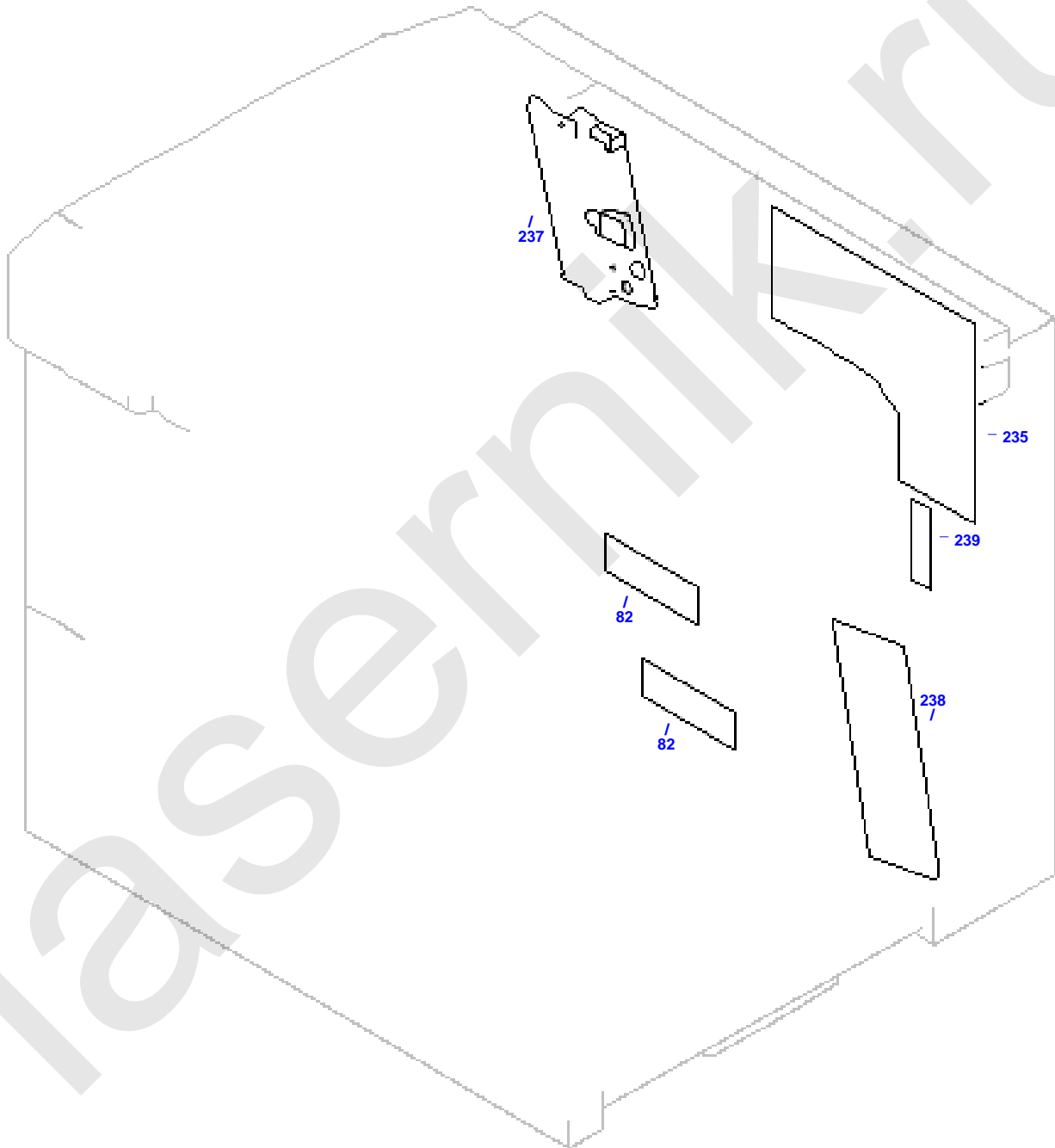
Paper Pickup Assembly

362 -  Paper Pickup Assembly

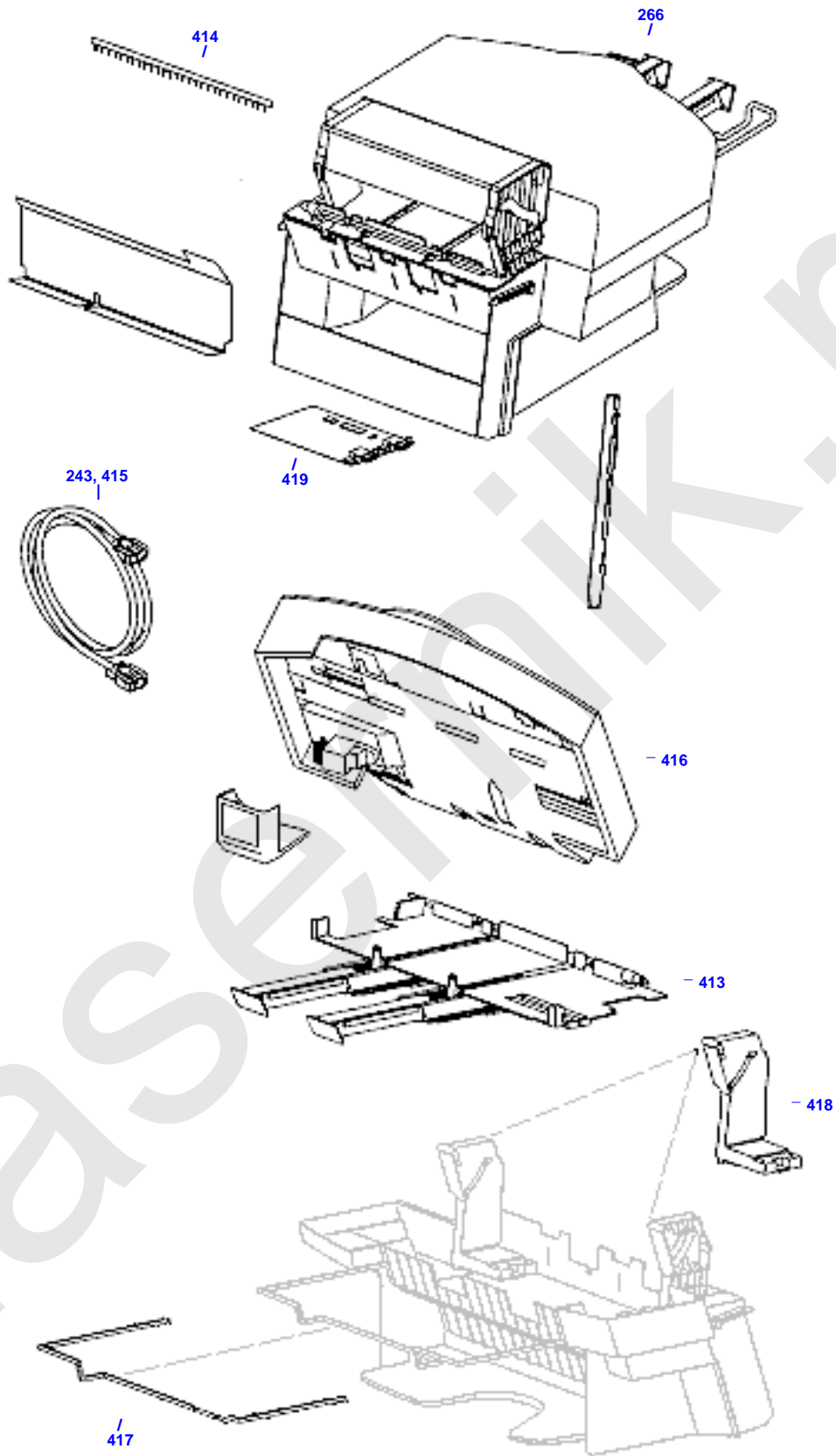


PCB Assembly Location

PCB Assembly Locations

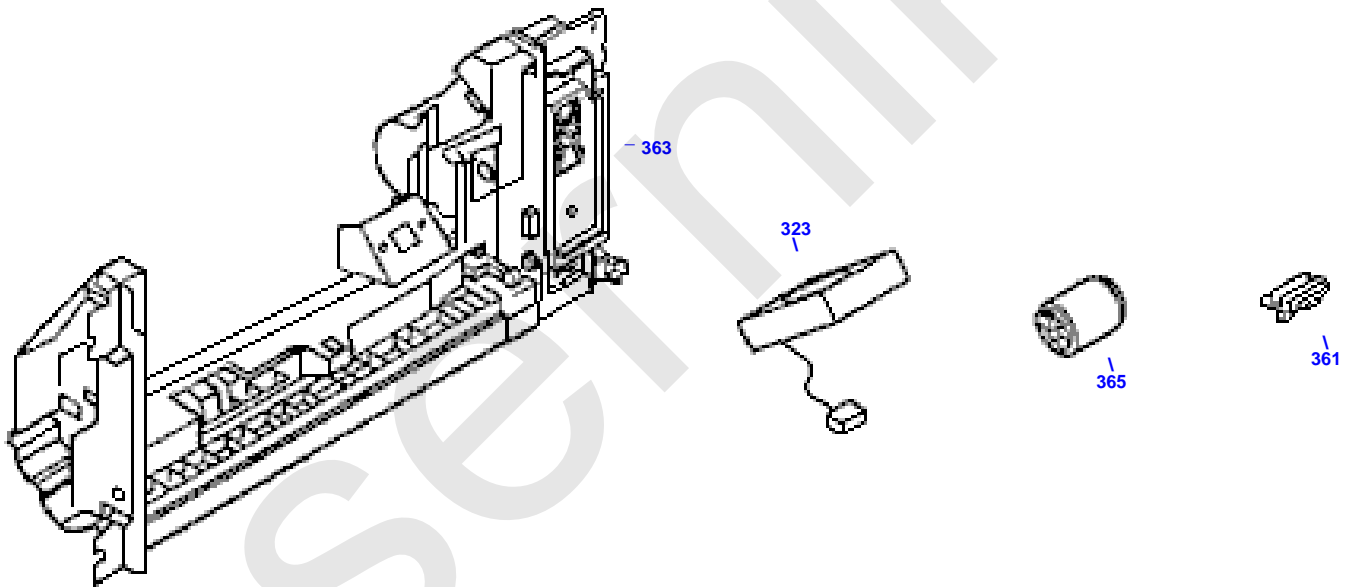


Stapler



Tray 1 Assembly

363  Tray 1 Assembly





**HP Parts Reference Guide**

<http://www.hp.com/go/parts>

**HP PartSurfer**

<http://partsurfer.hp.com>

**HP Parts Ordering Information**

<http://www.hp.com/go/hpparts>

**HP Parts Questions/Comments**

<http://partsurfer.hp.com/contactus.htm>

laser.nik.ru