

**7-bin Table Top Mailbox****Arm**

RA2-2484-000CN Bin full sensor arm

**Bin**

2 C4783-69502 Face down bin assembly - One roller

RG1-3836-000CN *New Part for C4783-69502*

3 RG1-3837-000CN Face down bin assembly - Two rollers

**Bushing**

RA2-2505-000CN Output bin roller bushing

**Cover**

5 RA2-2531-000CN Release latch handle cover

6 RF1-4004-000CN Front cover - Cover with release latch handle

7 RF1-4008-000CN Back cover

8 RG1-3838-000CN Top cover assembly

9 RG1-3840-000CN Right cover

**Diverter**

10 RG1-3844-000CN Diverter assembly - Flipper

**Flag**

RA2-2485-000CN Sensor flag - Optical sensor for bin full sensor

**Handle**

12 RA2-2512-000CN Release handle - Latch lever handle

**Mailbox**

C4783-60101 7-bin table top mailbox - Whole unit

**Motor**

14 RF1-4003-000CN Reversing mechanism motor

**PC Board**

15 RG1-3814-000CN Bin full and interlock sensor board

16 RG1-3815-000CN Sensor PCA - Empty bin sensor board

RG1-3816-000CN Face-up bin full &amp; sensor PCA

RG1-3817-000CN LED PCA - Status panel LED display board

19 RG1-3853-060CN Controller board - 7-bin tabletop mailbox controller PCA

**Pin**

RA2-2439-000CN Positioning pin

**Plate**

RA2-2500-000CN Support plate - Supports empty bin sensor PCA

22 RA2-2527-000CN Stopper plate - Limits travel of right cover

23 RA2-2541-000CN Motor cover - Reversing mechanism motor cover plate

24 RF1-4005-000CN Latch plate

**Power Supply**

25 RH3-2205-000CN Power supply PCA for 7-bin tabletop mailbox power supply

**Solenoid**

RF1-3998-000CN Flipper solenoid

27 RH7-5223-000CN Reversing mechanism solenoid



### 7-bin Table Top Mailbox

#### Spring

RA2-2513-000CN Tension spring - Provides tension for latch handle

#### Tray

- 29 RA2-2408-000CN Bottom bin tray
- 30 RA2-2487-000CN Reversing output tray (Face-up)

### Accessories

#### Cleaning Supplies

5090-3379 Toner cleaning cloth - Specially treated cloth for absorbing toner (1 per package) - Ideal for cleaning up toner spills

#### Kit

C4265-67905 Paper Input Unit Maintenance Kit - Contains second pass roller, four spring rollers and instruction sheet - For Tray 3 PIU

### C4780A Input Tray Parts

#### Cable

- 33 RG5-3909-000CN Power supply cable - Between power supply and controller PCA
- 34 RG5-4440-000CN Main cable on input assembly

#### Caster

- 35 XZ9-0442-000CN Caster wheel

#### Cover

- 36 RB2-3666-000CN Right side cabinet cover
- 37 RB2-3668-000CN Paper storage tray front cover
- 38 RB2-3675-000CN Back cover
- 39 RF5-2762-000CN Front top cover
- 40 RF5-2764-000CN Left cover
- 41 RF5-2766-000CN Paper tray top cover - Includes label

#### Drive Assembly

- 42 RG5-4416-000CN Paper deck drive assembly - Gear assembly that lifts the paper plate to the pickup roller

#### Feed Assembly

- 43 C4780-69503 Paper feed assembly - Vertical transfer unit - Transfers paper from pickup assembly up to the printer input  
REQUIRES RETURN OF DEFECTIVE PART
- RG5-4403-000CN *New Part for C4780-69503*

#### Foot

- 44 RG5-4203-000CN Outrigger adjustable foot - Adjusts up and down
- 45 RG5-4205-000CN Cabinet stabilizer (outrigger) - With adjustable foot

#### Fuse

- 46 VD7-1893-151CN Power supply fuse, 250V max

#### Labels

- 47 RB2-5342-000CN 2000 sheet paper tray cassette size label

#### Latch

- 48 XZ9-0379-000CN Door latch insert (Black)

#### Module

C4781-60500 AC power box - Holds AC receptacle, fuse holder, and four cable connections - Includes mounting clips

#### PC Board

- 50 RB2-3667-000CN Holder size PCA
- 51 RG5-1845-000CN Paper size sensor board - Used to sense paper size in upper and lower paper trays
- 52 RG5-4441-000CN Front LED PCA - LED status display board
- 53 RG5-4442-000CN Controller PCA - 2 x 500-SHEET input tray controller PCA



### C4780A Input Tray Parts

#### Pickup Assembly

- 54 C4780-69505 Paper pickup - Moves paper from trays to feeder assembly  
REQUIRES RETURN OF DEFECTIVE PART
- RG5-4410-090CN *New Part for C4780-69505*

#### Pin

- 55 RF5-2556-000CN Positioning pin - Metal locating pins - Set of 3

#### Plate

- 56 RB1-6894-000CN Paper cassette size plate - Self adhesive label NOT included

#### Power Cord

- C4781-60501 'Daisy chain' power cord - Has C13 (F) connector and C14 (M) connector - 250V, 10A - 71.5cm (28.1 inches) long
- C4781-60502 'Daisy chain' power cord - 18 AWG, 2.6m (8.4ft) long - Has C14 (M) plug for power input and C13 (F) plug for power output - 250V, 10A

#### Power Supply

- 59 RG5-4021-000CN Universal power supply

#### Roller

- 60 RF5-1834-000CN Feed/separation roller - Has a blue gear on one end and blue release tab on the other - Mounts in the paper input unit assembly (4 used)
- 61 RF5-2708-000CN Pickup roller - Used in paper pickup assembly - 2 used

#### Spacer

- 62 RB2-3705-000CN Latch spacer - Black plastic piece that latch engages

#### Tray

- 63 R98-1006-000CN Tray 5 assembly - Complete tray with identification label
- 64 R98-1007-000CN Tray 4 assembly - Complete tray with identification label
- 65 RB2-3669-000CN Paper storage tray - Stores up to twenty pounds of paper

### C4787A Stapler Parts

#### Bed

- 66 C3766-60503 Stapling unit bed assembly - Includes sliders that move sheets of paper to stapling position

#### Brush

- 67 C3766-60508 Stapling unit antistatic brush - Eliminates static charge on paper

#### Cable

- 68 C4787-60507 Stapler unit C-link cable - Has two high density 15 pin (M) connectors - 91.4cm (36 inches) long

#### Cover

- 69 C3766-60501 Stapling unit top cover

#### Guide

- 70 C3766-60507 Stapling unit wire form guide

#### Hinge

- 71 C3766-60506 Stapling unit hinges - Set of 2

#### Kit

- 72 C3766-60510 Stapling unit kit - Includes plastic staple cover, scan bar, bin full sensor, acuator, and flag

#### PC Board

- 73 C4787-60514 Stapling unit control board

#### Plate

- 74 C3766-60505 Stapling Unit Back Plate - Covers rear of Stapling Unit

**Electronic Accessories****Cable (Interface)**

5063-1254	IEEE-1284 Bi-Tronics parallel cable - DB-25 (M) connector (type A) to 36 pin high density IEEE-1284C (M) connector (type C) - 3.0m (9.8ft) long
5063-1255	IEEE-1284 Bi-Tronics parallel cable - DB-25 (M) connector (type A) to 36 pin high density IEEE-1284C (M) connector (type C) - 10m (33ft) long
92215N	Interface cable kit - For HP peripherals designed for use in an AppleTalk/Phonenet network - Not for Macintosh models that have recessed I/O connectors
92215S	RS-422 serial cable - 8 pin (M) to 8 pin (M) - 2.0m (6.6ft) long - For connecting Apple Macintosh with LocalTalk/serial connector
C2946A	IEEE-1284 Bi-Tronics parallel cable - DB-25 (M) connector (type A) to 36 pin high density IEEE-1284C (M) connector (type C) - 3.0m (9.8ft) long
C2947A	IEEE-1284 Bi-Tronics parallel cable - DB-25 (M) connector (type A) to 36 pin high density IEEE-1284C (M) connector (type C) - 10m (33ft) long

**Drive**

C2985-61021	20GB hard drive (Laserjet) - LaserJet EIO font/print job storage - Used as replacement for 2.1GB and 3.2GB drives when used in a LaserJet
-------------	---

**Interface (Product)**

J6057A	JetDirect 615N internal print server (10Base-T and 100Base-TX) LAN interface board - Plugs into peripheral EIO slot - Has a RJ-45 connector - Comes with software on CD-ROM and manual
J6057AR	JetDirect 615N internal print server (10Base-T and 100Base-TX) LAN interface board - Plugs into peripheral EIO slot - Has a RJ-45 connector - Comes with software on CD-ROM and manual

**Memory (Product)**

C4135A	4MB, 100-pin, 32-bit, 60nS, EDO DRAM DIMM memory module
C4136A	8MB, 100-pin, 32-bit, 60nS, EDO DRAM DIMM memory module
C4137A	16MB, 100-pin, 32-bit, 60nS, EDO DRAM DIMM memory module
C4140A	4MB, 100-pin SDRAM DIMM memory module NO LONGER SUPPLIED
C7842A	<i>New Part for C4140A</i>
C4286A	2MB flash DIMM memory - Font storage device
C7842A	8MB, 100-pin SDRAM DIMM memory module
C7843A	16MB, 100-pin SDRAM DIMM memory module
C7845A	32MB, 100-pin SDRAM DIMM memory module
Q1887A	64MB, 100-pin synchronous SDRAM DIMM memory module

**Electronics/Power Supply****Power Cord**

8120-6798	Power cord (Flint Gray) - 18 AWG, 2.3m (7.5ft) long - Has straight (F) receptacle (For 100V in Japan)
8120-6800	Power cord (Flint Gray) - 16 AWG, 2.3m (7.5ft) long - Has straight (F) receptacle (For 240V in Israel)
8120-6809	Power cord (Dove Gray) - 2.3m (7.5ft) long - Has straight (F) receptacle (For 240V operation in the United Kingdom, Hong Kong, Singapore, Malaysia)
8120-6810	Power cord (Flint Gray) - 2.3m (7.5ft) long - Has straight (F) receptacle (For 240V operation in Australia, New Zealand)
8120-6811	Power cord (Flint Gray) - 17 AWG, 2.3m (7.5ft) long - Has straight (F) receptacle (For 220V in Europe, Saudi Arabia, South Africa, India, and Korea)
8120-6812	Power cord (Flint Gray) - 18 AWG, 2.3m (7.5ft) long - Has straight (F) receptacle (For 120V in the USA, Canada, Mexico, Philippines, and Taiwan)
8120-6813	Power cord (Flint Gray) - 17 AWG, 2.3m (7.5ft) long - Has straight (F) receptacle (For 220V in South Africa, Saudi Arabia, and India)
8120-6815	Power cord (Flint Gray) - 17 AWG, 2.3m (7.5ft) long - Has straight (F) receptacle (For 220V in Switzerland)



### External Case Parts

#### Cover

	5021-0349	EIO slot cover
102	RB1-6480-000CN	Lower left cover
	RB1-6489-000CN	AC access cover - Has cut out for A/C power cord connection
104	RB1-6492-000CN	Power switch cover - Has cutout for power switch
105	RB1-6494-000CN	Front cover
106	RB1-6498-000CN	Right rear cover
107	RF5-1402-000CN	Rear cover - Sheet metal
108	RG5-1870-090CN	Top cover assembly - Does NOT include face up tray or control panel display

#### Door

109	RB1-6495-020CN	Front access door
110	RB1-6667-000CN	Diverter door assembly - Upper door on left side of printer - Two struts are mounted to door
111	RG5-1915-040CN	Right door assembly - Door below paper tray 1 - Support strap attached to right side

#### Guard

112	RB1-6522-000CN	Plate guard - Top cover hinge plate guard
-----	----------------	---

#### Label

113	RS5-8596-000CN	Operation label
-----	----------------	-----------------

#### Latch

114	XZ9-0379-000CN	Door latch insert (Black)
-----	----------------	---------------------------

#### Overlay

	C4214-40002	LaserJet 8000 control panel overlay (English)
	C4214-40007	LaserJet 8000 control panel overlay (Italian)
	C4214-40009	LaserJet 8000 control panel overlay (Norwegian)
	C4214-40010	LaserJet 8000 control panel overlay (Hungarian)
	C4214-40011	LaserJet 8000 control panel overlay (Swedish)
	C4214-40012	LaserJet 8000 control panel overlay (Polish)
	C4214-40013	LaserJet 8000 control panel overlay (Czechoslovakian)
	C4214-40014	LaserJet 8000 control panel overlay (Korean)
	C4214-40015	LaserJet 8000 control panel overlay (Simplified Chinese)
	C4214-40016	LaserJet 8000 control panel overlay (Traditional Chinese)
	C4214-40017	LaserJet 8000 control panel overlay (German)
	C4214-40018	LaserJet 8000 control panel overlay (Spanish)
	C4214-40019	LaserJet 8000 control panel overlay (Danish)
	C4214-40020	LaserJet 8000 control panel overlay (Dutch)
	C4214-40021	LaserJet 8000 control panel overlay (Finnish)
	C4214-40022	LaserJet 8000 control panel overlay (Turkish)
	C4214-40023	LaserJet 8000 control panel overlay (Japanese)
	C4214-40024	LaserJet 8000 control panel overlay (Russian)
	C4214-40025	LaserJet 8000 control panel overlay (Greek)
	C4214-40026	LaserJet 8000 control panel overlay (Hebrew)
	C4214-40027	LaserJet 8000 control panel overlay (Arabic)
	C4214-40028	LaserJet 8000 control panel overlay (Thailand)



### External Case Parts

#### Plate

137 RB1-6507-000CN Hinge plate - Bottom half of top cover hinge

#### Spring

138 RB1-6493-000CN Compression spring - Center support for left output bin

139 RB1-6509-000CN Torsion spring - Helps support left output bin tray

#### Strap

140 RB1-6484-000CN Support strap - Supports door when open

#### Support

141 RF5-2701-060CN Access door struts - Attached to each side of diverter door assembly

#### Tray

142 RB1-6490-000CN Face-down output tray - At top of printer

143 RB1-6491-000CN Face-up output tray - At upper left side

144 RG5-1883-060CN Multi-Purpose paper input tray (Tray 1) - Includes pull out extender tray

### Fusing Assembly Parts

#### Arm

145 RF5-2694-020CN Fusing sensor arm - Senses paper in fusing assembly

#### Fusing Assembly

146 5182-2811 Fusing assembly (For 220V to 240V operation) - Bonds toner to paper by heat - In quantity price break packaging (Contains 5 New fusing assemblies)  
NO LONGER SUPPLIED

147 5182-2812 Fusing assembly (For 220V to 240V operation) - Bonds toner to paper by heat - In quantity price break packaging (Contains 10 New fusing assemblies)

148 C3166-69017 Fusing assembly (For 100V to 120V operation) - Bonds toner to paper with heat  
REQUIRES RETURN OF DEFECTIVE PART

*RG5-4447-030CN New Part for C3166-69017*

149 C3166-69018 Fusing assembly (For 220V to 240V operation) - Bonds toner to paper with heat  
REQUIRES RETURN OF DEFECTIVE PART

*RG5-4448-030CN New Part for C3166-69018*

#### Lock

150 RB1-6615-020CN Right fusing assembly lock - Locks fuser in place

151 RB1-6616-020CN Left fusing assembly lock - Locks fuser in place

### Interface Board Parts

#### PC Board (Interface)

J3110-69001 JetDirect 600N EIO internal print server 10Base-T LAN interface board - Has one RJ-45 connector - (J3110A) - NOTE: EIO Interface Boards are NOT Interchangeable with MIO Boards

*J6057-69001 New Part for J3110-69001*

J3111-69001 JetDirect 600N EIO internal print server 10Base-T, 10BASE-2, and LocalTalk LAN interface board - Has one RJ-45, BNC, and 8-pin DIN connector - (J3111A) - NOTE: EIO interface boards are NOT interchangeable with MIO boards  
REQUIRES RETURN OF DEFECTIVE PART

*J3111-61001 New Part for J3111-69001*

### Labels and Transparencies

#### Film (Transparency)

92296U LaserJet printer transparency film - A4 size (21.0cm x 29.7cm) - 50 sheets per box

92296T LaserJet printer transparency film - A size (8.5 x 11-inches) - 50 sheets per box



### Labels and Transparencies

#### Labels

92296A	LaserJet printer addressing labels - 2.54cm (1.00in) x 6.67cm (2.63in) labels - 30 per sheet - 100 sheets per box NO LONGER SUPPLIED
92296B	LaserJet printer addressing labels - 3.38cm (1.33in) x 10.2cm (4.00in) labels - 14 per sheet - 100 sheets per box NO LONGER SUPPLIED
92296C	LaserJet printer addressing labels - 2.54cm (1.00in) x 10.2cm (4.00in) labels - 20 per sheet - 100 sheets per box NO LONGER SUPPLIED
92296D	LaserJet printer addressing/shipping labels - 5.08cm (2.00in) x 10.2cm (4.00in) labels - 10 per sheet - 100 sheets per box NO LONGER SUPPLIED
92296E	LaserJet printer shipping labels - 8.47cm (3.33in) x 10.2cm (4.00in) labels - Six per sheet - 100 sheets per box NO LONGER SUPPLIED
92296F	LaserJet printer return address labels - 1.27cm (0.50in) x 4.45cm (1.75in) labels - 80 per sheet - 25 sheets per box NO LONGER SUPPLIED
92296G	LaserJet printer file folder labels - 1.69cm (0.67in) x 8.73cm (3.44in) labels - 30 per sheet - 25 sheets per box NO LONGER SUPPLIED
92296H	LaserJet printer labels for 3.5-inch diskettes - 7.00cm (2.75in) x 7.00cm (2.75in) labels - Nine per sheet - 70 sheets per box NO LONGER SUPPLIED
92296J	LaserJet printer labels for 5.25-inch diskettes - 3.81cm (1.50in) x 10.2cm (4.00in) labels - 12 per sheet - 70 sheets per box NO LONGER SUPPLIED
92296K	LaserJet printer full sheet label - A size (8.5 x 11-inches) label - One per sheet - 100 sheets per box NO LONGER SUPPLIED

### Logic/Control Electronics

#### Cable

166	RG5-1849-000CN	Cable assembly - Fuser cable 1 - J50/51 to J10/56/222
167	RG5-1919-000CN	Cable assembly - From DC controller board to main motor
168	RG5-1924-000CN	Dual cable assembly with ferrites - 10 pin (F) connector, 9 pin (F) connector, and two 6 pin (F) connectors - 1.1m (3.7ft) long
169	RG5-1925-000CN	Cable assembly - 5 pin (F) connector to both a 27cm (10.6 inch) cable with a 3 pin (M) connector and a 27.2cm (10.7 inch) cable with a 2 pin (M) connector
170	RG5-1926-000CN	BD cable - J18 to J2007
171	RG5-1927-000CN	ILS cable - From J1401 to J221/J205
172	RG5-4726-000CN	Front control panel display cable

#### Control Panel

173	RG5-5268-000CN	Control panel - Includes display
-----	----------------	----------------------------------

#### Drive (Product)

174	C2985A	2.1GB hard drive - LaserJet EIO font/print job storage NO LONGER SUPPLIED
	C2985B	<i>New Part for C2985A</i>
	C2985B	3.2GB hard drive - DesignJet or LaserJet EIO font/print job storage

#### Memory (DIMM)

C4085-60009	Firmware DIMM
-------------	---------------

#### PC Board

177	C3166-69010	DC controller board REQUIRES RETURN OF DEFECTIVE PART
	RG5-1844-050CN	<i>New Part for C3166-69010</i>
178	C4186-69002	Formatter board - Main logic PCA REQUIRES RETURN OF DEFECTIVE PART
	C4186-67902	<i>New Part for C4186-69002</i>



**Logic/Control Electronics**
**PC Board**

179	RG5-1845-000CN	Paper size sensor board - Used to sense paper size in upper and lower paper trays
180	RG5-1846-000CN	Switch/sensor board - Includes face down tray sensors, fusing delivery sensor and door switch
181	RG5-1860-000CN	Paper pickup board - Includes 8 photosensors
182	RG5-1884-000CN	Multipurpose paper tray board - Includes paper sensors PS1301 and PS1302

**Power Cord**

RH2-5263-000CN	Power cord (Gray) - 14 AWG, 2.3m (7.5ft) long - Has straight (F) receptacle (For 120V in the USA and Canada)
----------------	--

**Optional Interfaces**
**Interface (Product)**

J3110A	Ethernet 10Base-T (RJ-45) EIO network internal print server PC board
J3111A	Ethernet 10Base-T/10Base2 and LocalTalk (RJ-45, BNC, LocalTalk) EIO network PCA
J3112A	JetDirect 600N token ring LAN interface board - DB-9 and RJ-45 connectors NO LONGER SUPPLIED
J3113A	JetDirect 600N internal print server (10Base-T and 100Base-TX) LAN interface board - Plugs into peripheral EIO slot
J4135A	JetDirect connectivity card - Has one USB port, one serial (DB9) port and one LocalTalk port - Plugs in the EIO slot on selected DesignJet and LaserJet printers
J4167A	JetDirect 610N token ring LAN interface board - DB-9 and RJ-45 connectors
J4169A	JetDirect 610N internal print server (10Base-T and 100Base-TX) LAN interface board - Plugs into peripheral EIO slot - Has a RJ-45 connector - Comes with software on CD-ROM and manual

**PC Board (Interface)**

J3112-69001	JetDirect 600N EIO internal print server token ring LAN interface board - Has one RJ-45 and DB-9 connector
J4167-69001	<i>New Part for J3112-69001</i>
J3113-69001	JetDirect 600N EIO internal print server 10Base-T and 100Base-T LAN interface board - Has one RJ-45 connector
J4135-61001	JetDirect connectivity card - Has one USB port, one serial (DB9) port and one LocalTalk port

**Optional Paper Trays**
**Envelope Feeder**

194	C3765-69501	Replacement optional envelope feeder - Holds 100 envelopes REQUIRES RETURN OF DEFECTIVE PART
	C3765-60501	<i>New Part for C3765-69501</i>
195	C3765B	Optional envelope feeder - Automatically feeds 100 envelopes

**Guide**

RF5-1484-000CN	Paper size guide/stop - For upper or lower paper input tray
----------------	---

**Mailbox**

197	C4787A	5-bin mail box with stapler - Holds 2100 sheets of paper used with 5Si family, mopier and 8000 printers
-----	--------	---

**Stop**

RF5-2002-030CN	Paper length stop
----------------	-------------------

**Tray**

199	C4780A	HP LaserJet 8000 and 8100 Series Optional 1000 (2 x 500) sheet paper trays (Trays 4 & 5) - Holds up to 1000 sheets of letter, legal, tabloid/ledger, A3, A4, B, or B4 size paper - Does NOT include paper handling PCA
200	C4781A	HP LaserJet 8000, 8100, and 5Si Series Optional 2000 sheet paper tray (Tray 4) - Holds up to 2000 sheets of letter, legal, tabloid/ledger, A3, A4, B, or B4 size paper - Does NOT include paper handling controller board
201	C4785A	8 bin mail box - Holds 2600 sheets of paper - Used with 2000 sheet paper tray or printer cabinet
202	R98-1004-000CN	Lower paper input tray (Tray 3) - 500 sheet capacity - For letter, legal, 11 x 17 inch (B-size), A4 (210MM x 297MM), A3 (297MM x 420MM) and B4 (257MM x 364MM) size paper
203	R98-1005-000CN	Upper input paper tray (Tray 2) - 500 sheet capacity - For letter, legal, and A4 (210MM x 297MM) size paper





### Other Accessories

#### CD-ROM (Support)

C4085-60114 Multi-language user manual on CD-ROM

#### Cartridge

- 204 5184-5203 Black (Micro-Fine) toner cartridge - Page yield index 15,000
- 205 C3909A Black (Micro-Fine) toner cartridge - Page yield index 15,000
- 206 C3909X Black (Micro-Fine) toner cartridge - Page yield index 17, 100

#### Certificate

- C7819-90903 Email license certificate for MFP
- C8539-90901 FAX license certificate for MFP
- C9122-90901 NT authentication certificate for MFP

#### Duplexer

- 211 C4782-69501 Duplexer assembly - For 2 sided printing capability  
REQUIRES RETURN OF DEFECTIVE PART
- C4782-60501 *New Part for C4782-69501*

#### Manual

- 5021-8943 LaserJet quick reference guide - Volume 1 of 2 volume set
- 5090-3390 LaserJet quick reference guide - Volume 2 of 2 volume set

#### Manual Kit

- 5021-0377 HP-GL/2, PCL5 and PJI technical reference manual kit
- C4085-91087 LaserJet 8000 service manual bundle - Includes service manual supplement for paper-handling accessories
- C4085-99008 LaserJet 8000 series user bundle - Ready reference guide, getting started guide and installation map (Dutch)
- C4085-99023 LaserJet 8000 series user manual bundle - Includes ready reference guide, 'Getting Started' guide, and installation map (US English)
- C4085-99024 LaserJet 8000 series user bundle - Ready reference guide, getting started guide and installation map (French)
- C4085-99025 LaserJet 8000 series user bundle - Ready reference guide, getting started guide and installation map (Italian)
- C4085-99026 LaserJet 8000 series user bundle - Ready reference guide, getting started guide and installation map (German)
- C4085-99027 LaserJet 8000 series user bundle - Ready reference guide, getting started guide and installation map (Spanish)
- C4085-99028 LaserJet 8000 series user bundle - Ready reference guide, getting started guide and installation map (Czech)
- C4085-99029 LaserJet 8000 series user bundle - Ready reference guide, getting started guide and installation map (Danish)
- C4085-99031 LaserJet 8000 series user bundle - Ready reference guide, getting started guide and installation map (Finnish)
- C4085-99032 LaserJet 8000 series user bundle - Ready reference guide, getting started guide and installation map (Hungary)
- C4085-99033 LaserJet 8000 series user bundle - Ready reference guide, getting started guide and installation map (Japanese)
- C4085-99034 LaserJet 8000 series user bundle - Ready reference guide, getting started guide and installation map (Korean)
- C4085-99035 LaserJet 8000 series user bundle - Ready reference guide, getting started guide and installation map (Norway)
- C4085-99036 LaserJet 8000 series user bundle - Ready reference guide, getting started guide and installation map (Portuguese)
- C4085-99037 LaserJet 8000 series user bundle - Ready reference guide, getting started guide and installation map (Polish)
- C4085-99038 LaserJet 8000 series user bundle - Ready reference guide, getting started guide and installation map (Russian)
- C4085-99039 LaserJet 8000 series user bundle - Ready reference guide, getting started guide and install map (Simplified Chinese)
- C4085-99040 LaserJet 8000 series user bundle - Ready reference guide, getting started guide and installation map (Swedish)
- C4085-99041 LaserJet 8000 series user bundle - Ready reference guide, getting started guide and install map (Traditional Chinese)
- C4085-99042 LaserJet 8000 series user bundle - Ready reference guide, getting started guide and installation map (Turkish)

#### Software

- C6072-60301 HP-GL/2 driver software for AutoCAD - For DOS and Windows 3.1/95/NT 4.0 - On 3.5-inch 1.44MB floppy disks (English)
- C6072-60304 HP-GL/2 driver software for AutoCAD - For DOS and Windows 3.1/95/NT 4.0 - On 3.5-inch 1.44MB floppy disks (German)



### Other Accessories

#### Software

- C6072-60305 HP-GL/2 driver software for AutoCAD - For DOS and Windows 3.1/95/NT 4.0 - On 3.5-inch 1.44MB floppy disks (French)
- C6072-60306 HP-GL/2 driver software for AutoCAD - For DOS and Windows 3.1/95/NT 4.0 - On 3.5-inch 1.44MB floppy disks (Spanish)
- C6072-60307 HP-GL/2 driver software for AutoCAD - For DOS and Windows 3.1/95/NT 4.0 - On 3.5-inch 1.44MB floppy disks (Italian)

#### Stand

- C2975A HP LaserJet Printer Cabinet - For LaserJet 5Si family and 8000/8100 series printers - Supports the printer, and provides storage for supplies and accessories
- C4784A 7-bin Tabletop Mailbox Stand - Wheeled stand that allows 7-bin tabletop mailbox to be used when printer is mounted on 2 x 500 or 2000 sheet input - For LaserJet 8000/8100 series printers  
NO LONGER SUPPLIED

#### Staple Cartridge

- C3772A HP LaserJet flat-wire staple cartridges for Multi-Bin Mailbox with Stapler - For LaserJet 8000, 8100, 8150, 5Si series and Mopier 240, 320 - Package of 3 with 2000 staples/cartridge - (C3774A)

#### Stapling Unit

- 244 C4787-69513 Stapling unit - Includes top cover, bed assembly, and board  
REQUIRES RETURN OF DEFECTIVE PART
- C4787-60513 *New Part for C4787-69513*

#### Training Kit

- C4085-67901 Self paced training kit for LaserJet 5Si Series and 8000 Series - Includes NTSC format video (VHS), and student guide - Test available from Hewlett-Packard Insight
- C4085-67902 Self paced training kit for LaserJet 5Si Series and 8000 Series - Includes PAL format video (VHS), and student guide
- C4214-67901 Self Paced Training Kit for LaserJet 5Si Series,8000,8100 and 8150

### Other Internal Parts

#### Arm

- 248 RB1-6417-000CN Registration paper sensor arm - Senses paper in registration assembly
- 249 RB1-6444-000CN Release arm - Front toner cartridge release arm - Hook shaped cartridge holder
- 250 RB1-6446-000CN Release arm - Toner cartridge release arm - Hook shaped cartridge holder
- 251 RB1-6557-000CN Paper input unit sensor arm - Senses when paper passes through paper input unit

#### Bushing

- 252 RS5-1101-000CN Conductive bushing

#### Cable

- RG5-1843-000CN Paper sensor cable - J11 to J15
- 254 RG5-1850-000CN Duplexer cable assembly - From duplexer to DC controller
- RG5-1859-000CN Sensor cable - PIU PS2 sensor cable - J13 to J1205
- RG5-1861-000CN Cable assembly - 20 pin (F) connector on each end - 39.4cm (15.5 inches) long
- 257 RG5-1920-000CN Cassette size sensor cable - Between cassette size sensor PCA's and formatter board
- 258 RG5-1921-000CN Fan cable - Fan 3 power cable
- 259 RG5-1928-000CN Registration cable assembly - Includes 7P and 3P connectors

#### Cable (Interface)

- C4781-60504 Multi-Bin mailbox interface C-link cable - 45cm (17.7 inches) long
- C4785-60530 Multi-Bin mailbox interface cable - 1.8m (5.8ft) long

#### Clutch

- 262 RH7-5204-000CN Paper feed clutch



### Other Internal Parts

#### Drive Assembly

263 RF9-1249-000CN Diverter drive assembly - 4 gear drive assembly - 20 tooth gear NOT included

#### Fan

264 RH7-1266-000CN Tubeaxial fan assembly (FM2)

265 RH7-1271-000CN Formatter board fan (FM3)

266 RH7-1289-000CN Delivery assembly fan (FM4)

#### Gear

267 RA9-1127-000CN Gear - 20 tooth

#### Guide

268 RB1-6443-000CN Toner cartridge guide - Front guide - Plastic piece with slot to guide toner cartridge

269 RB1-6771-000CN PCA guide - Formatter board support guides

270 RB1-6775-000CN Slide guide - Guide for formatter PCA

#### Laser/Scanner

271 C3166-69006 Laser/scanner assembly  
REQUIRES RETURN OF DEFECTIVE PART

*RG5-1895-000CN New Part for C3166-69006*

#### Lever

272 RB1-6692-000CN Paper sensing lever - Senses paper in face down delivery assembly

273 RB1-6693-020CN Paper height lever - Senses when face-down tray is full

#### Motor

274 RH7-1262-000CN Paper input motor

#### Plate

275 RF5-1464-000CN Switch/sensor board plate - Shields switch/sensor PCA

#### Roller

RB1-6581-000CN Feed roller - Shaft with four rubber rollers - Under toner cartridge and green handle 3

277 RF5-1834-000CN Feed/separation roller - Has a blue gear on one end and blue release tab on the other - Mounts in the paper input unit assembly (4 used)

278 RF5-1835-000CN Pickup roller assembly - Has attached black plastic gear - Mounts in the paper input unit (two Used)

#### Sensor

279 WG8-0291-000CN Photo sensor

#### Shield

280 RF5-1466-000CN Formatter board EMI shield

#### Spring

281 RB1-6409-000CN Sensor arm spring - Holds tension on paper feeder sensor arm

RB1-6558-020CN Sensor arm torsion spring - Holds tension on PIU paper sensor arm

283 RS5-2463-000CN Compression spring - Holds tension on front support block

284 RS5-2466-000CN Compression spring - Holds tension on rear support block

285 RS5-2490-000CN Tension spring - Diverter drive assembly tension spring

#### Support

286 RB1-6414-000CN Shaft holding block - Front registration roller support

287 RB1-6415-000CN Shaft holding block - Rear registration roller support

#### Torque Limiter

288 RB1-6588-000CN Torque limiter



### Paper Path Parts

#### Bushing

289 RB1-6441-000CN Transfer guide bushing

#### Clip

290 RB1-6708-000CN Retainer clip - Keeps multipurpose/tray 1 hinge in place - Black plastic clip for left side tray 1 hinge stop

291 RB1-6709-000CN Retainer clip - Keeps multipurpose/tray1 hinge in place - Black plastic clip for right side tray 1 hinge

#### Clutch

292 RH7-5203-000CN Registration assembly clutch

#### Cover

293 RB1-6468-000CN Clutch cover - Paper feed clutch cover

#### Delivery

294 RG5-1874-110CN Face down delivery assembly - Feeds paper to top of printer

#### Diverter

295 RG9-1150-000CN Diverter assembly - Diverts paper to duplexer assembly or face up tray or face down delivery assembly

#### Feed Assembly

296 RG5-1834-000CN Feeder assembly - Transfer roller and registration assembly are mounted on this assembly

#### Gear Assembly

297 RG5-1847-000CN Main print drive gear assembly

#### Guide

298 RF5-1394-000CN Transfer guide - Guide transfer roller is mounted into

#### Holder

299 RB1-6461-000CN Damper holder - Front damper holder

300 RB1-6462-000CN Damper holder - Rear damper holder

#### Kit

C3971-67903 Maintenance kit (120V) - Replacement parts after 350K pages includes, fusing assembly, eight feed/separation rollers, and transfer roller - NOTE: Pickup rollers are not included in this kit - Please order separately if needed

C3971-69002 Maintenance kit (120V) - Replacement parts after 350K pages includes, fusing assembly, eight feed/separation rollers, and transfer roller - NOTE: Pickup rollers are not included in this kit - Please order separately if needed  
REQUIRES RETURN OF DEFECTIVE PART

*C3971-67903 New Part for C3971-69002*

C3971B Maintenance kit (120V) - Replacement parts after 350K pages includes, fusing assembly, 6 feed/separation rollers, and transfer roller

C3972-67903 Maintenance kit (220V) - Replacement parts after 350K pages includes, fusing assembly, eight feed/separation rollers, and transfer roller - NOTE: Pickup rollers are not included in this kit - Please order separately if needed

C3972-69002 Maintenance kit (220V) - Replacement parts after 350K pages includes, fusing assembly, eight feed/separation rollers, and transfer roller - NOTE: Pickup rollers are not included in this kit - Please order separately if needed  
REQUIRES RETURN OF DEFECTIVE PART

*C3972-67903 New Part for C3972-69002*

#### Motor

306 RH7-1260-000CN Main motor

#### Pad

307 RF5-1455-000CN Multipurpose paper input tray separation pad

#### Pickup Assembly

308 C3166-69020 Paper pickup assembly - Includes pickup, feed and separation rollers  
REQUIRES RETURN OF DEFECTIVE PART

*RG5-1852-490CN New Part for C3166-69020*

309 RG5-1880-100CN Paper pickup assembly



**Paper Path Parts**

**Roller**

- RB1-6623-030CN Lower roller in fusing assembly - Black pressure roller
- 311 RB1-6730-000CN Multipurpose paper input tray feed roller
- 312 RB1-6822-000CN Duplex roller - Roller in center of duplexer
- 313 RF5-1412-000CN Transfer charge roller (Black)

**Roller Assembly**

- RB1-6622-050CN Fusing roller assembly with internal heating element - Upper roller in fuser assembly
- 315 RG5-1833-040CN Registration assembly - Set of rollers before toner cartridge and after feed rollers - Has green handle with the number 2 printed on it
- 316 RG5-1887-000CN Transfer Roller Assembly - Includes transfer guide bushings, transfer guide and transfer roller

**Shield**

- 317 RB1-6749-000CN Internal cover for Tray 1 pickup assembly

**Solenoid**

- 318 RG5-1875-000CN Face up solenoid assembly

**Power Supplies and Parts**

**Fuse**

- 319 VD5-0056-301CN Low voltage power supply fuse - For 110/120V operation
- 320 VD7-0646-301CN Low voltage power supply fuse - For 220/240V operation

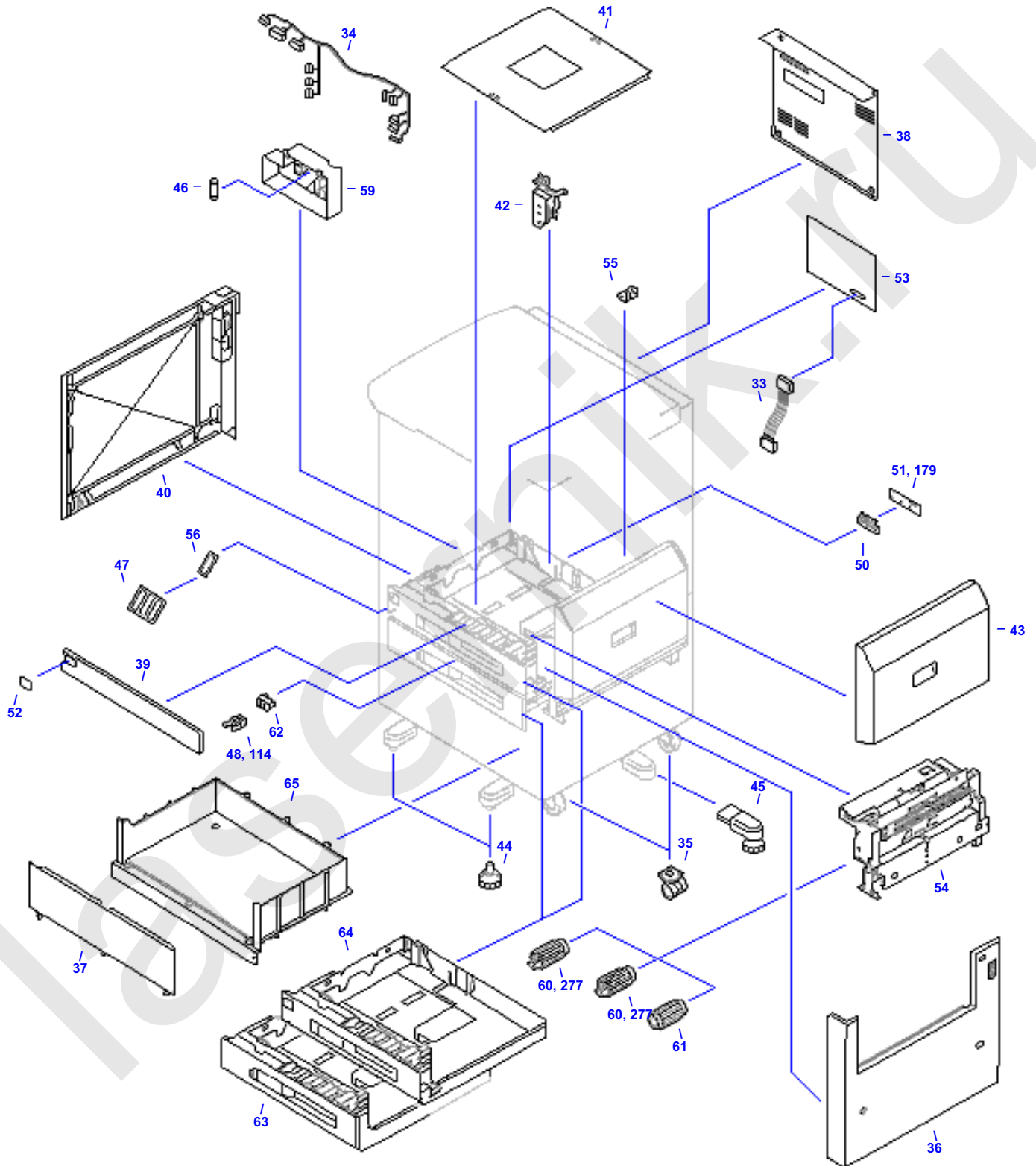
**Power Supply**

- 321 C3166-69008 Low voltage power supply - 240VAC, 50Hz - Includes power switch, AC receptacle and DC power supply  
REQUIRES RETURN OF DEFECTIVE PART  
*RG5-1878-000CN New Part for C3166-69008*
- 322 C3166-69019 Low voltage power supply - Includes power switch, AC receptacle, and DC power supply
- 323 C3166-69021 High voltage power supply assembly  
REQUIRES RETURN OF DEFECTIVE PART  
*RG5-1888-150CN New Part for C3166-69021*

**Power Supply Kit**

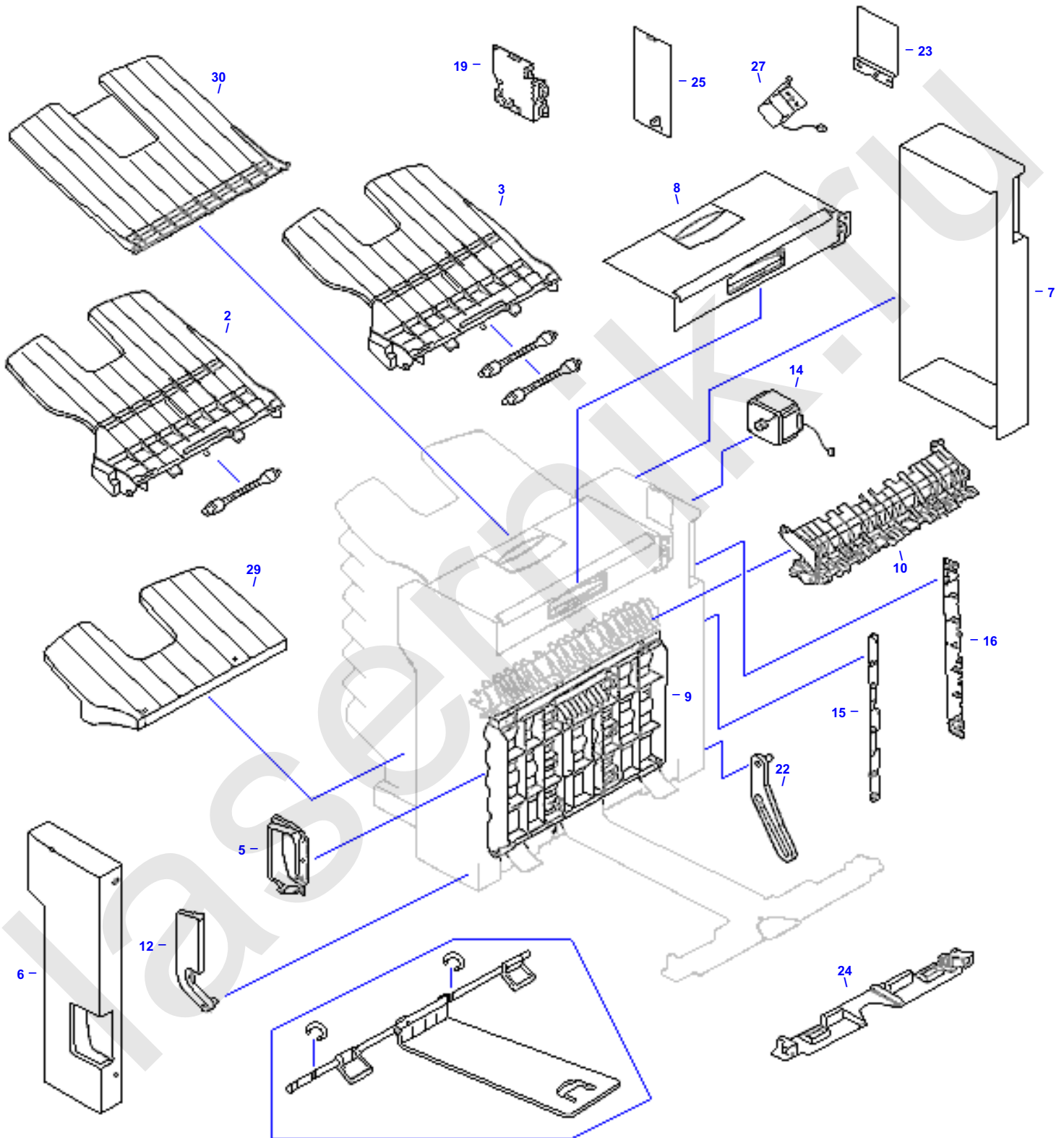
- C4789A Power supply kit - For connecting a multi-bin mailbox to printer when printer is on a stand

2 X 500 Input Tray



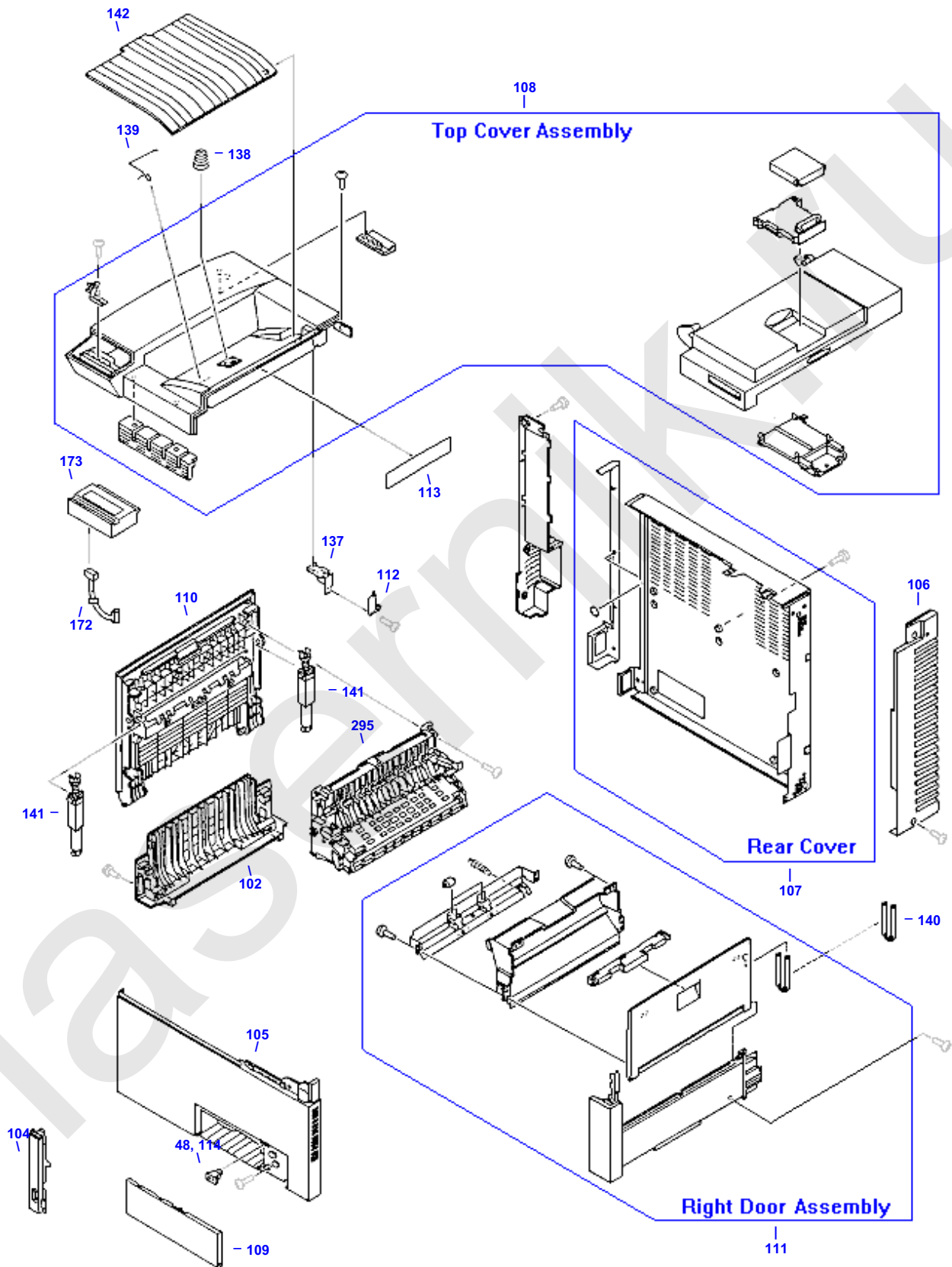


7-bin Tabletop Mailbox

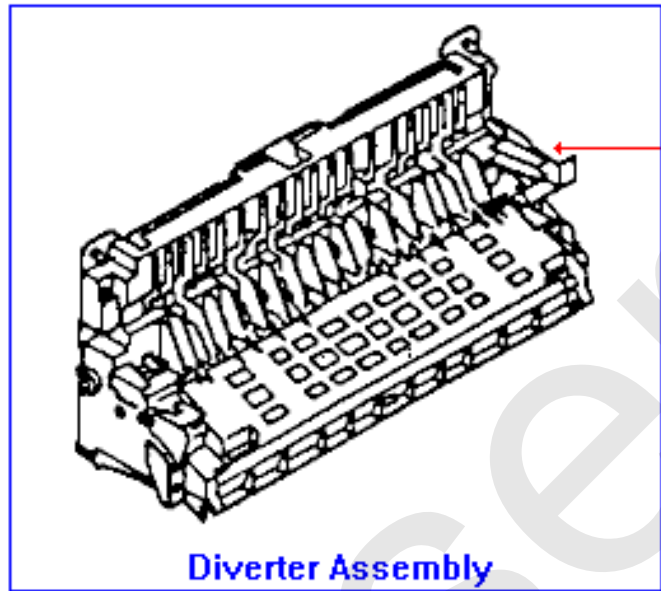




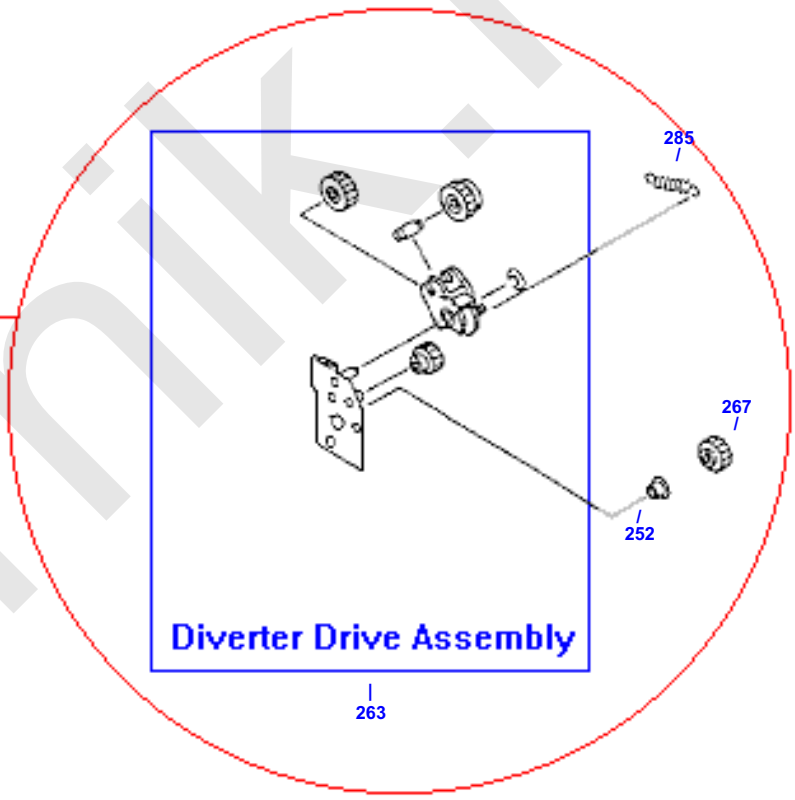
Covers and Doors



Diverter Assembly



295



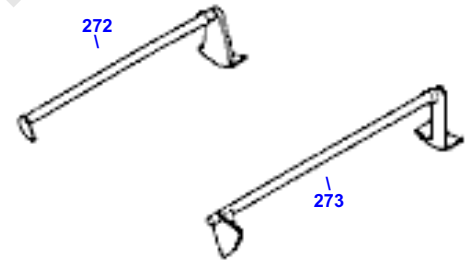
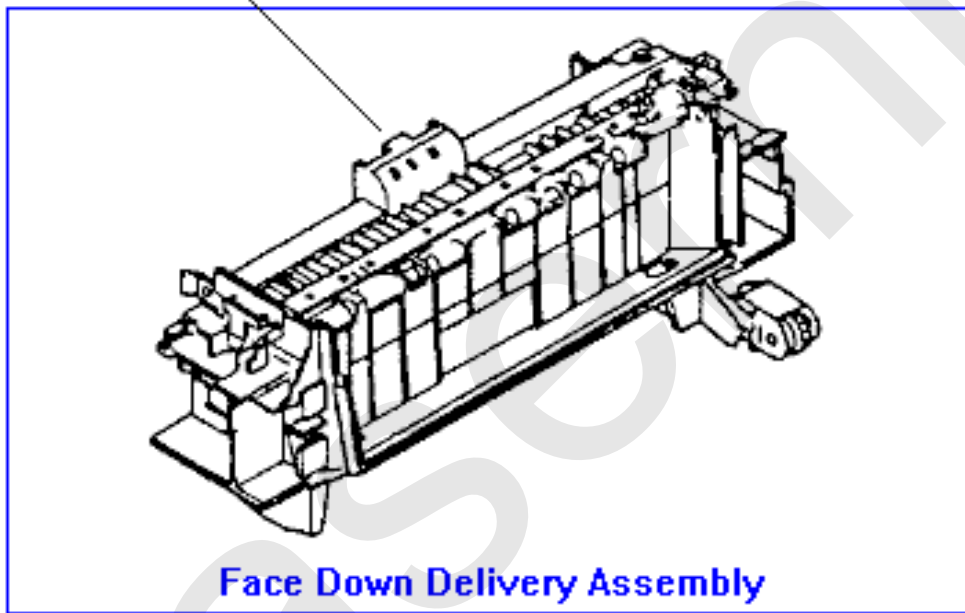
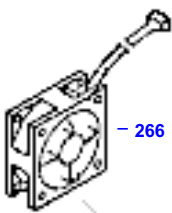
263

285

252

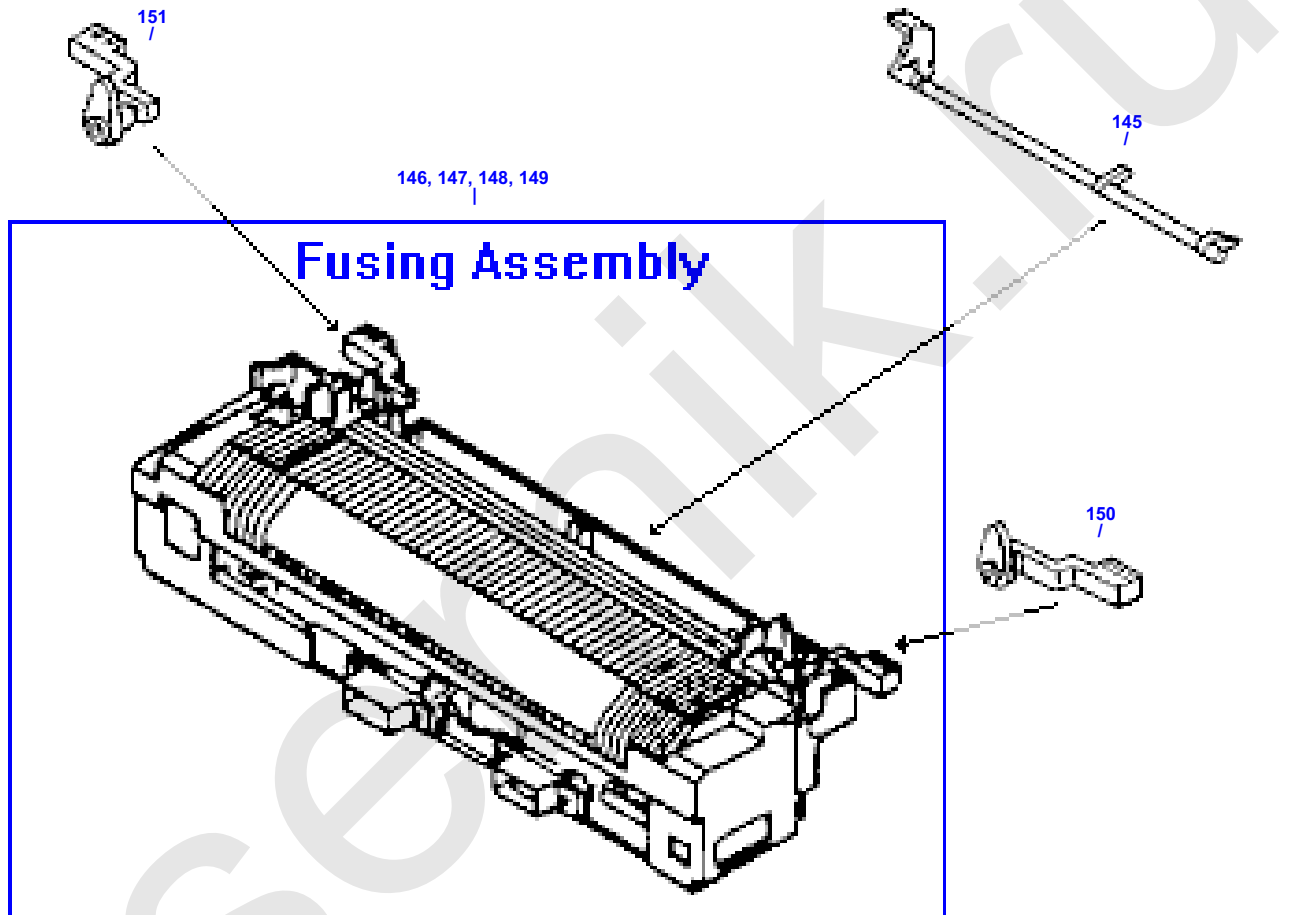
267

Face Down Delivery Assembly



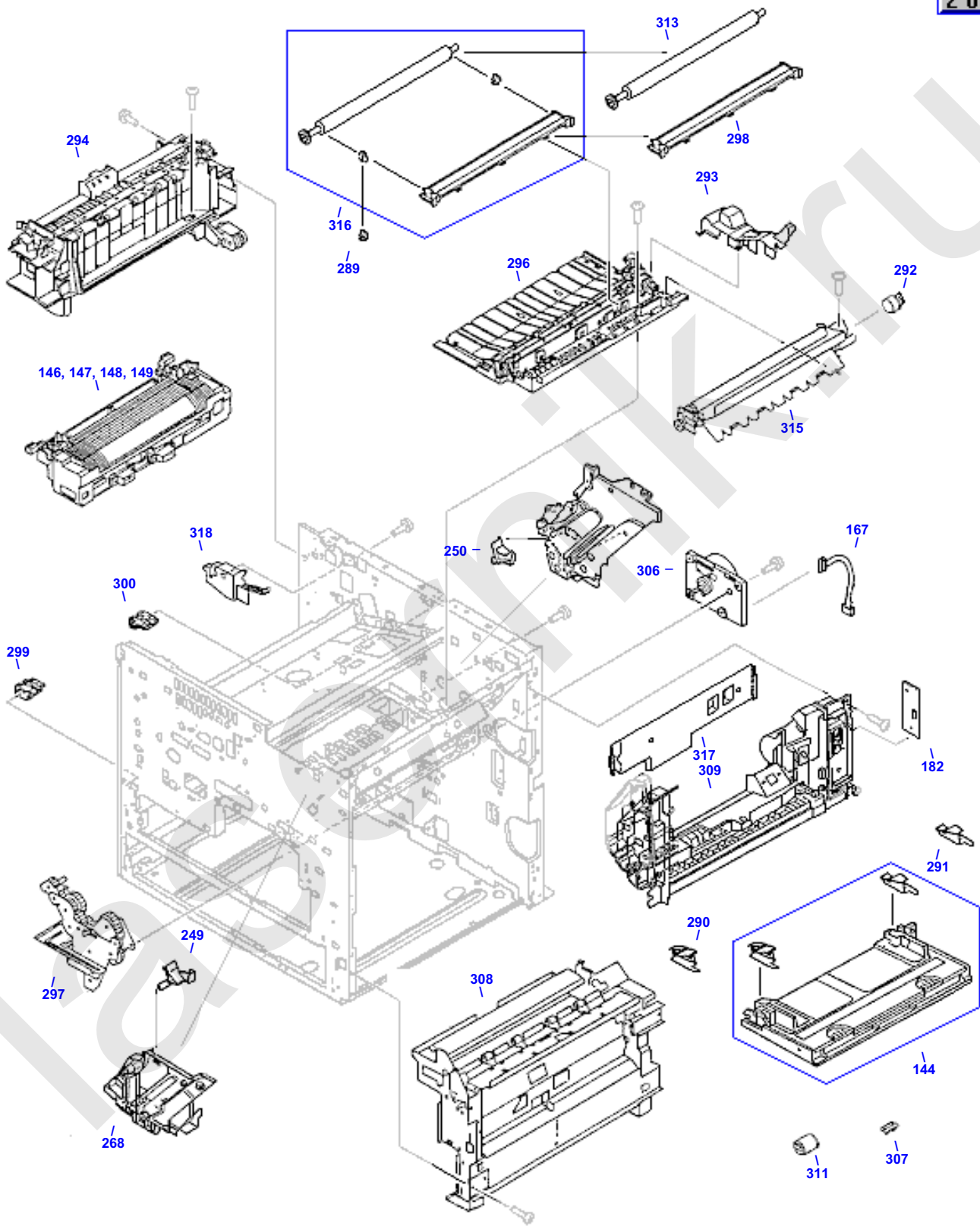
294

Fusing Assembly



Internal Components (1 of 3)

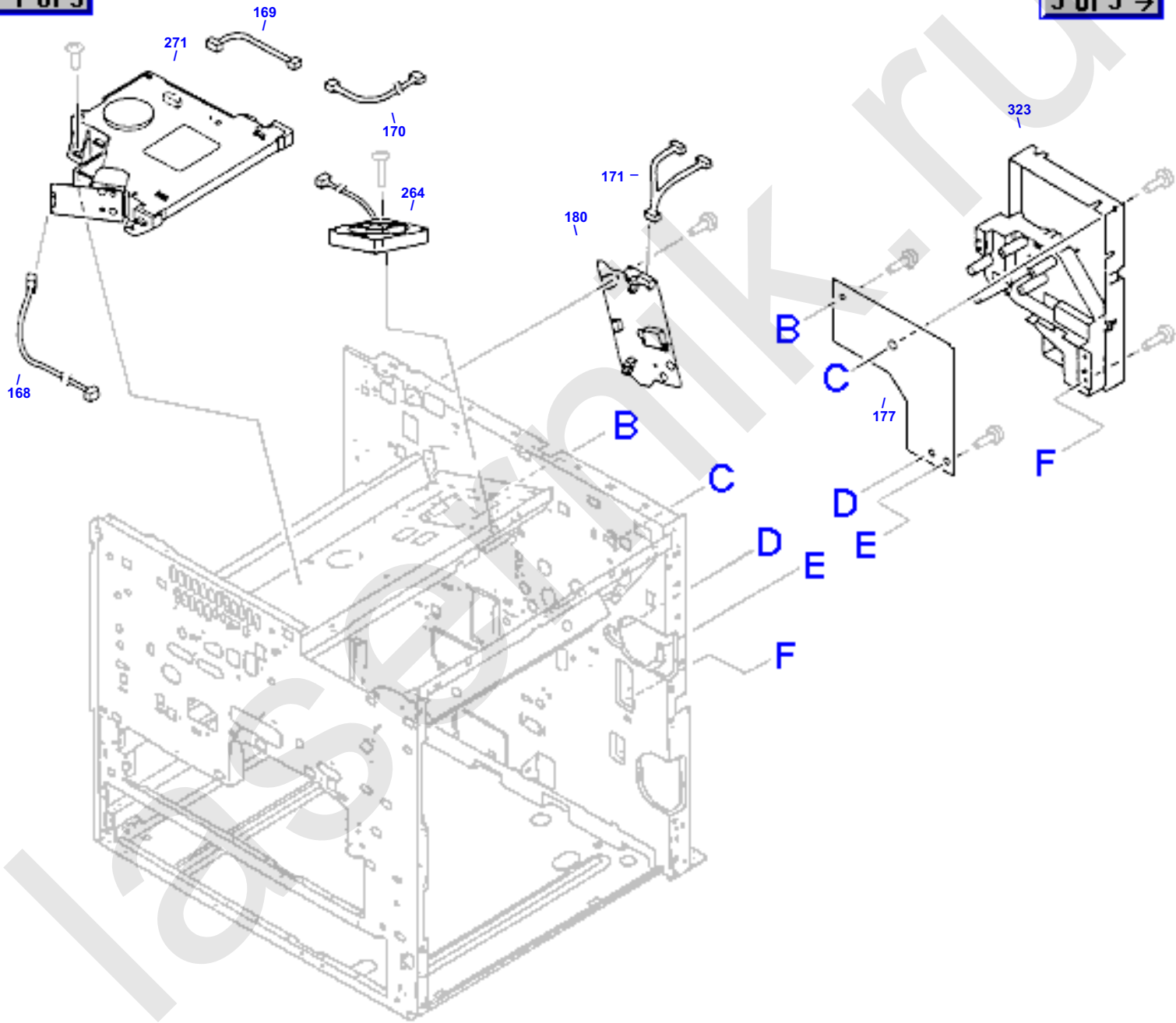
2 of 3 →



Internal Components (2 of 3)

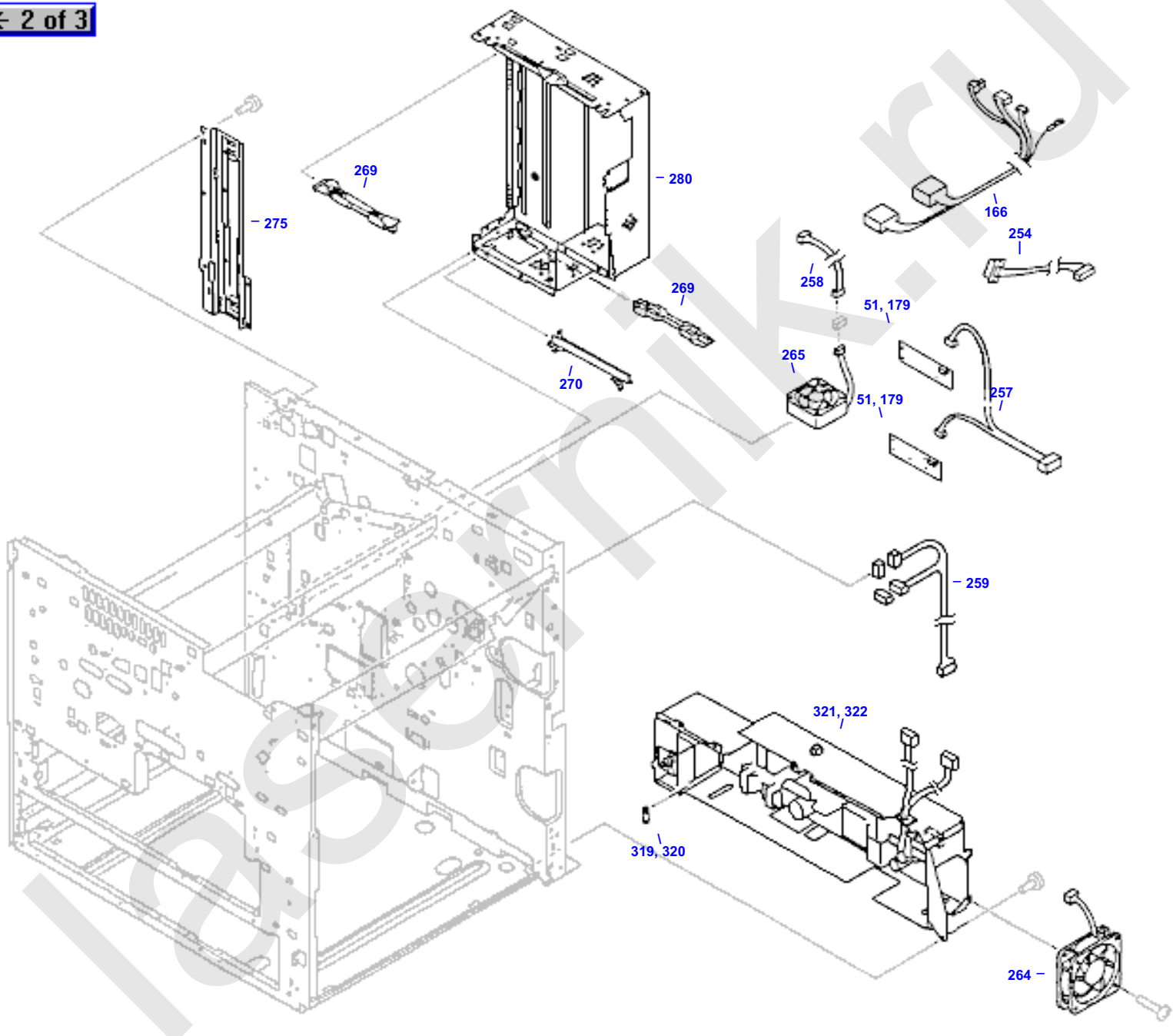
← 1 of 3

3 of 3 →



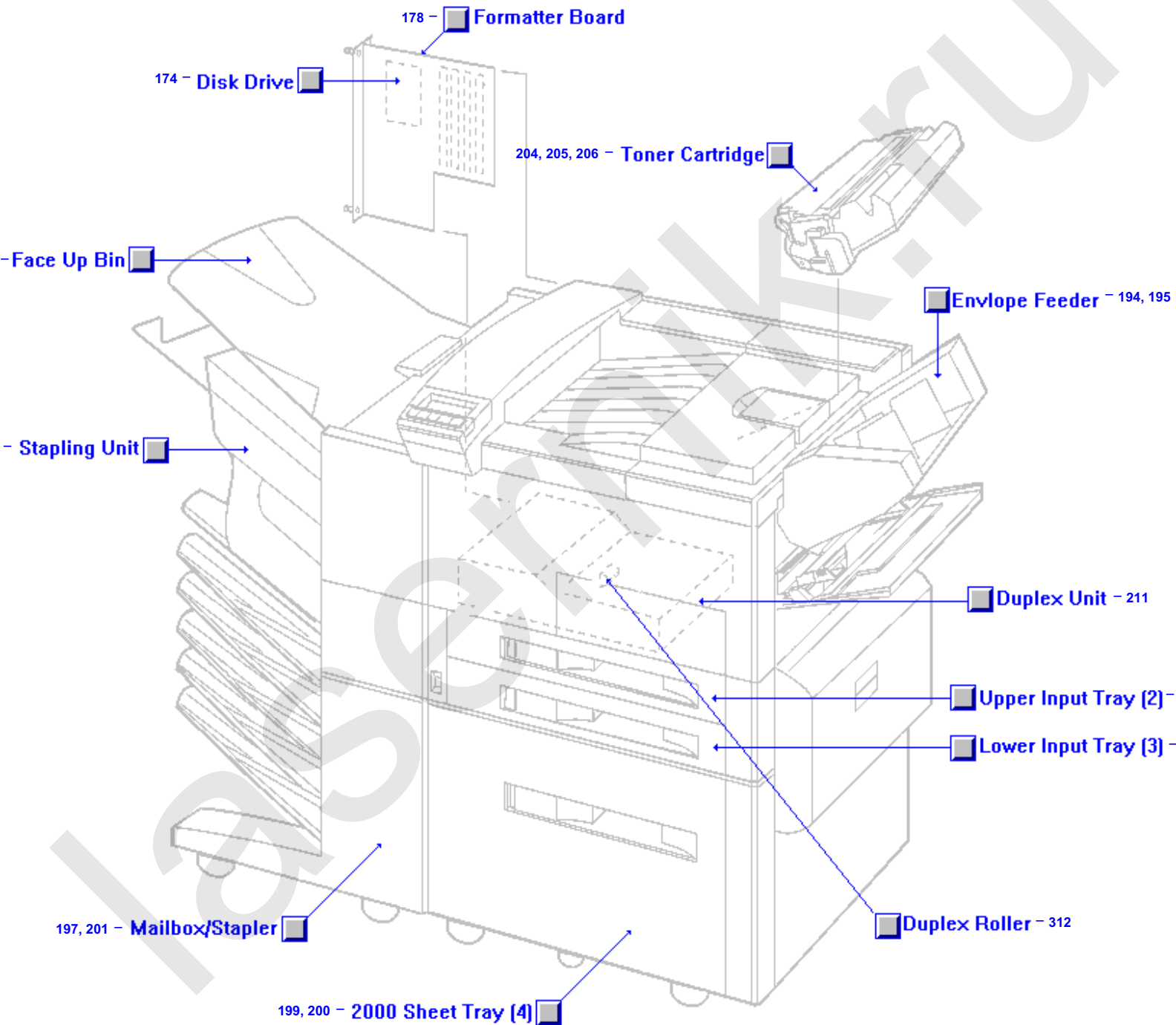
Internal Components (3 of 3)

← 2 of 3

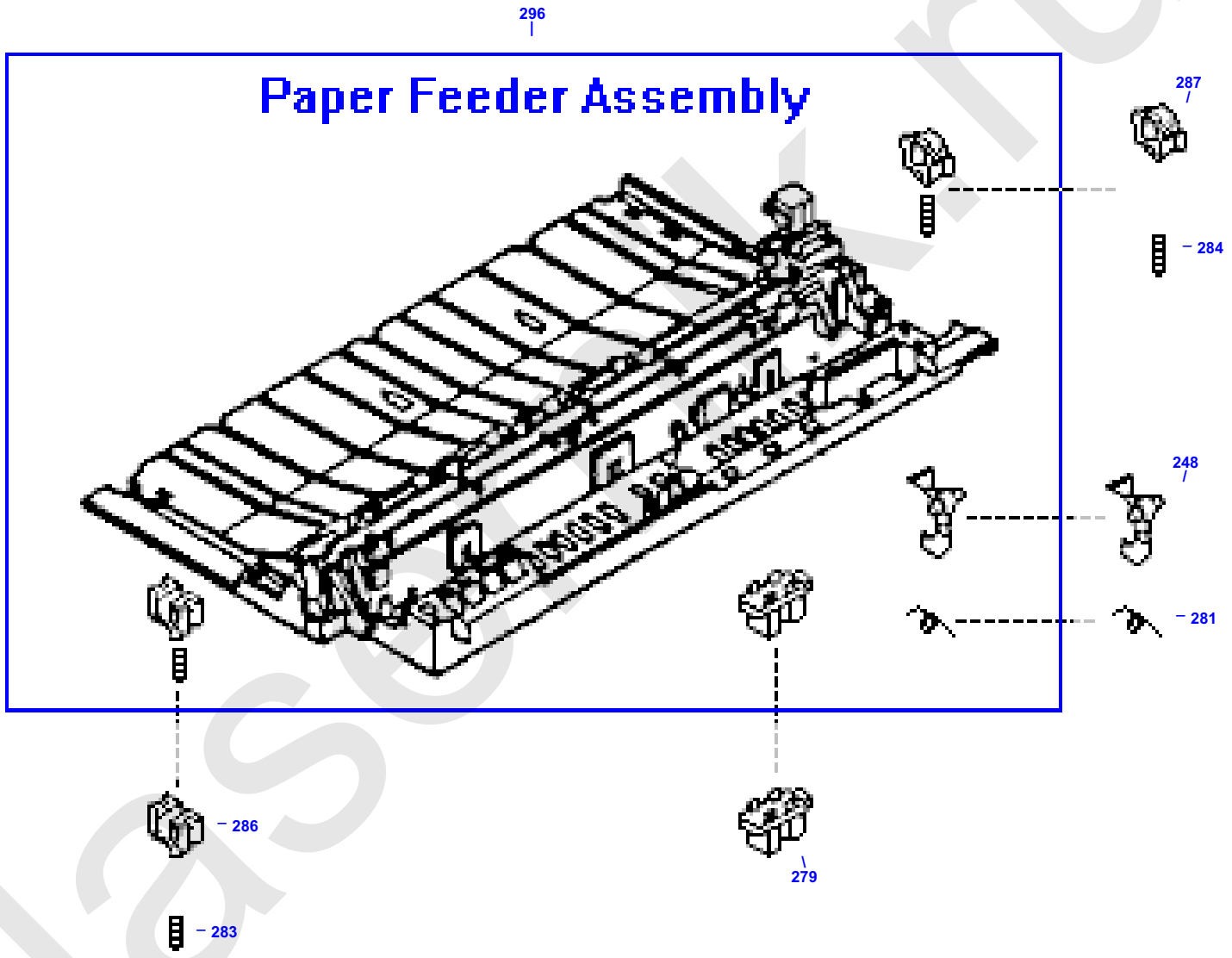




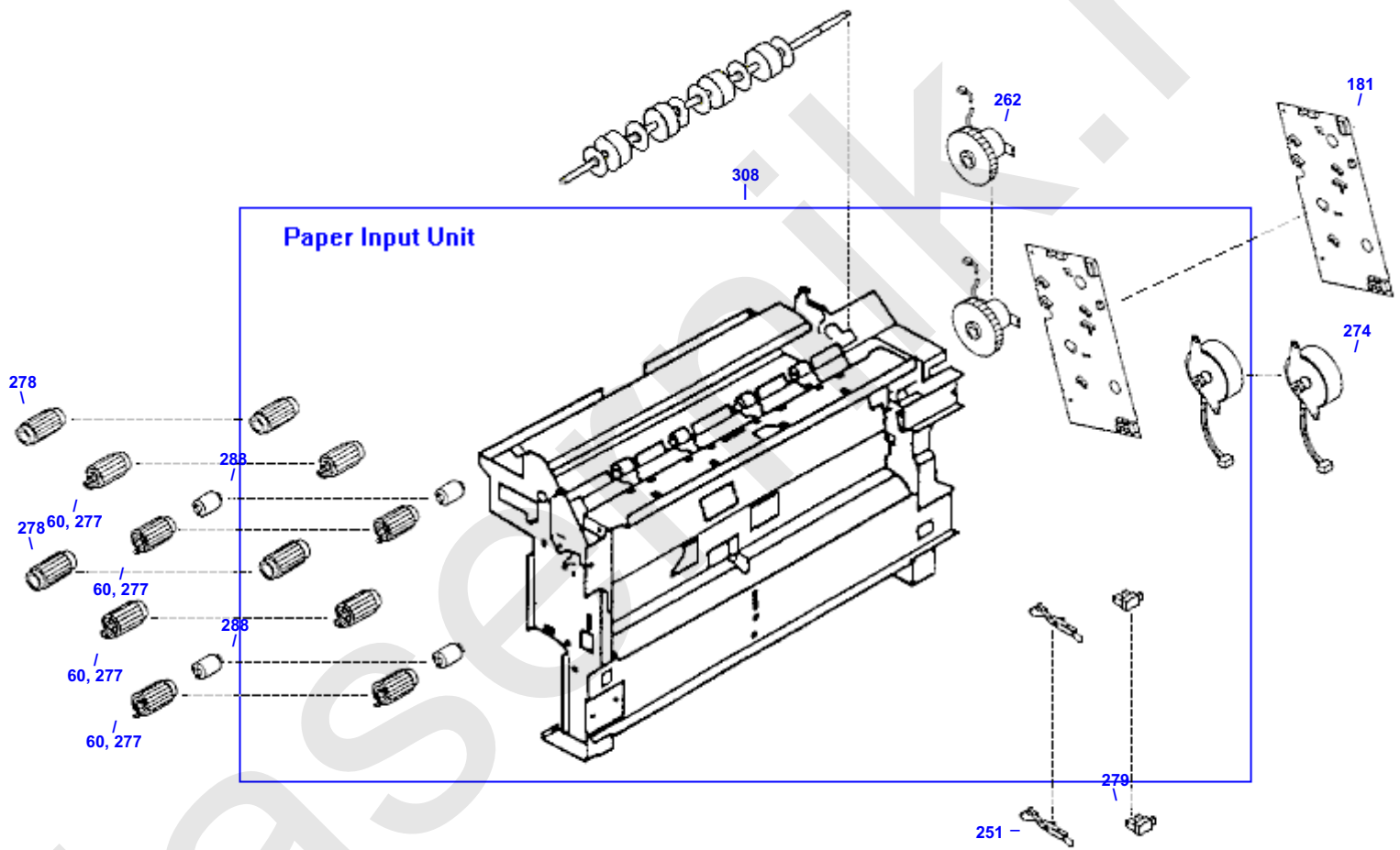
Major Printer and Paper Handling Parts



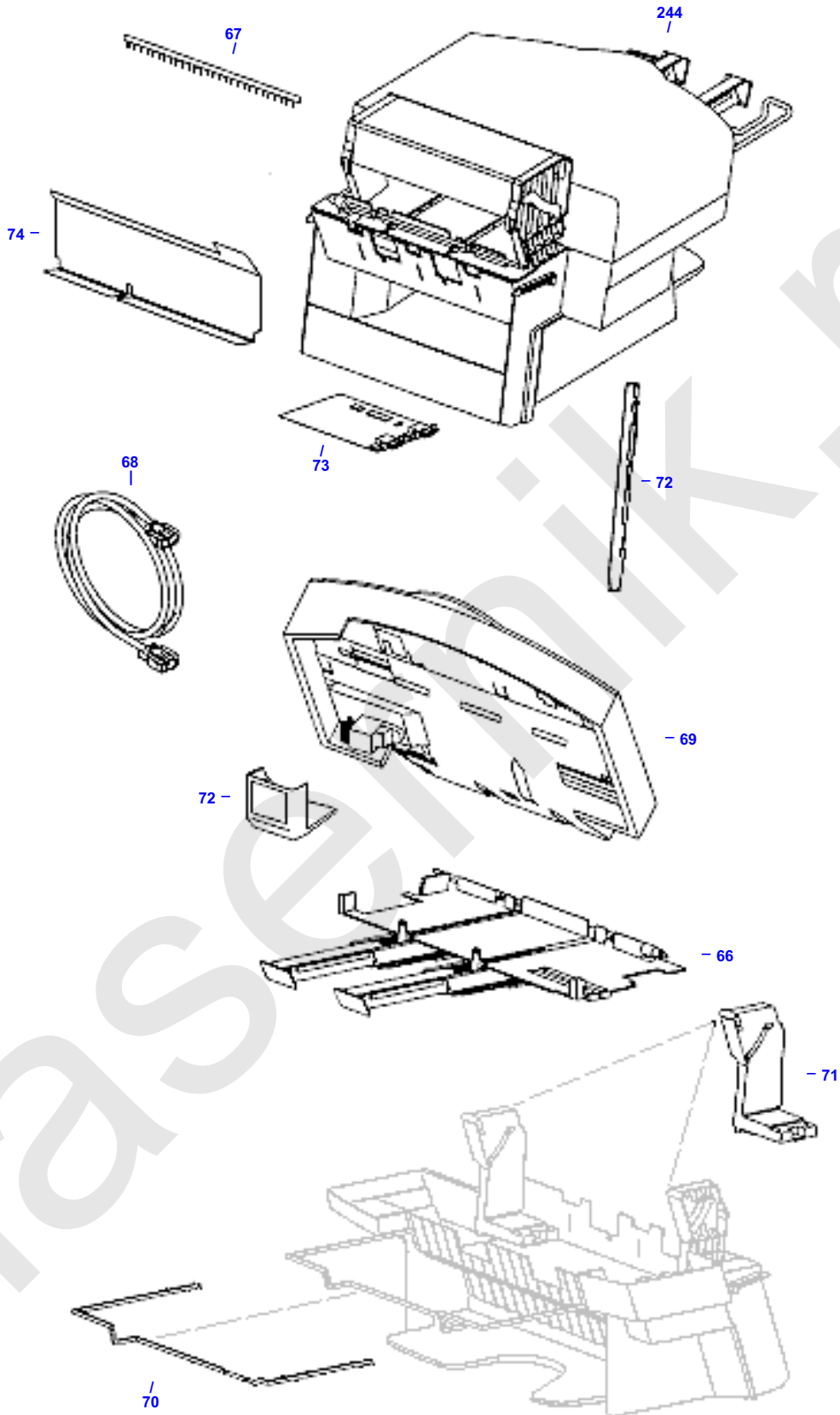
Paper Feeder Assembly



Paper Pickup Assembly



Stapler





**HP Parts Reference Guide**

<http://www.hp.com/go/parts>

**HP PartSurfer**

<http://partsurfer.hp.com>

**HP Parts Ordering Information**

<http://www.hp.com/go/hpparts>

**HP Parts Questions/Comments**

<http://partsurfer.hp.com/contactus.htm>

laser.nik.ru