

Accessories**Cleaning Supplies**

5090-3379 Toner cleaning cloth - Specially treated cloth for absorbing toner (1 per package) - Ideal for cleaning up toner spills

Delivery Assembly**Delivery**

2 RG5-3474-020CN Delivery assembly - Attaches to the lower center area of the internal chassis - Includes four White 'multi-ridged' and two other delivery rollers and their associated springs

Guide

3 RG5-3478-000CN Paper guide - Inside spur assembly

4 RG5-3479-000CN Paper guide - Outside spur assembly

Protector

5 RB1-7334-000CN Jam prevention protector - Installs in the delivery assembly allows paper jams to be cleared without damaging printer

Roller

6 RB1-7284-000CN Delivery roller #1 - White 'Multi-ridged' roller - Four are used in delivery assembly

7 RB2-1685-000CN Delivery roller #2

Spring

8 RB1-7286-000CN Spring for #1 delivery rollers

9 RB1-7287-000CN Spring for the delivery rollers

Electronic Accessories**Adapter (Product)**

C4109A Serial to parallel I/O adapter - Self-powered 9 to 25-pin adapter - RS-232/422 - Comes with parallel extension
NO LONGER SUPPLIED

Cable (Interface)

5063-1256 IEEE-1284 Bi-Tronics parallel cable - DB-25 (M) connector (type A) to 36 pin Centronics (M) connector (type B) - 2.0m (6.6ft) long

5063-1257 IEEE-1284 Bi-Tronics parallel cable - DB-25 (M) connector (type A) to 36 pin Centronics (M) connector (type B) - 3.0m (9.8ft) long

C2950A IEEE-1284 Bi-Tronics parallel cable - DB-25 (M) connector (type A) to 36 pin Centronics (M) connector (type B) - 2.0m (6.6ft) long

5063-1256 *New Part for C2950A*

C2951A IEEE-1284 Bi-Tronics parallel cable - DB-25 (M) connector (type A) to 36 pin Centronics (M) connector (type B) - 3.0m (9.8ft) long

C2990A IEEE-1284 Bi-Tronics parallel cable - DB-25 (M) (type A) to 36 pin (M) Centronics (type B) - 1.8m (6ft) long
NO LONGER SUPPLIED

C2991A IEEE-1284 Bi-Tronics parallel cable - DB-25 (M) (type A) to 36 pin (M) Centronics (type B) - 3.0m (10ft) long
NO LONGER SUPPLIED

Fax

C2971A HP PrinterPal accessory - Adds (External) fax capabilities to the LaserJet printer
NO LONGER SUPPLIED

Kit

H3972-60001 Maintenance Kit - 120V - Most common wear parts - Includes, transfer roller, pickup roller, separation pad, idler roller assembly, and fusing assembly - Procedure requires service manual

Memory (Product)

C3148A 4MB DRAM Jeda memory module - For HP LaserJet 4LC, 5L, 6L

C3938A 2MB DRAM memory module - For HP LaserJet 4LC, 5L
NO LONGER SUPPLIED

C3939A 2MB DRAM Jeda memory module - For HP LaserJet 4LC, 5L
NO LONGER SUPPLIED

Electronic Accessories**Memory Module**

C3148-67901	4MB DRAM JEIDA memory module - For LaserJets - (C3148A)
C3938-67901	2MB DRAM JEIDA memory module - For LaserJets - (C3938A)
C3939-67901	1MB DRAM JEIDA memory module - For LaserJets

External Case Parts**Cover**

25	RB1-7321-000CN	Memory expansion cover (Door)
26	RB1-7333-000CN	Back cover - Has cut-outs for interface and power connectors
27	RB2-1639-000CN	Memory expansion cover (Door)
28	RG5-3443-000CN	Main top cover - Does NOT include the paper input assemblies

Door

29	RF5-2352-000CN	EP (Toner) door assembly - Fold forward door
----	----------------	--

Extender

30	RB1-7326-000CN	Large paper output extender - Does NOT include smaller extender NO LONGER SUPPLIED
31	RB1-7331-000CN	Small paper output extender
32	RB2-1637-000CN	Large paper input extender - Does NOT include smaller extender
33	RB2-1638-000CN	Small paper input extender

Faceplate

34	RB1-7305-000CN	I/O faceplate - For parallel connector
----	----------------	--

Nameplate/Logo

35	RB2-1641-000CN	Nameplate - LaserJet 6L
----	----------------	-------------------------

Switch

36	RB2-1644-000CN	Face-up/face-down selection switch
----	----------------	------------------------------------

Tray

37	RG5-3488-000CN	Input bin assembly - Paper input supply bin
38	RG5-3491-000CN	Single sheet input slot - Manual feed tray

Internal Components**Laser/Scanner**

39	RG5-3497-000CN	Laser/scanner assembly
----	----------------	------------------------

Labels and Transparencies**Film (Transparency)**

92296U	LaserJet printer transparency film - A4 size (21.0cm x 29.7cm) - 50 sheets per box
92296T	LaserJet printer transparency film - A size (8.5 x 11-inches) - 50 sheets per box

Labels

92296A	LaserJet printer addressing labels - 2.54cm (1.00in) x 6.67cm (2.63in) labels - 30 per sheet - 100 sheets per box NO LONGER SUPPLIED
92296B	LaserJet printer addressing labels - 3.38cm (1.33in) x 10.2cm (4.00in) labels - 14 per sheet - 100 sheets per box NO LONGER SUPPLIED
92296C	LaserJet printer addressing labels - 2.54cm (1.00in) x 10.2cm (4.00in) labels - 20 per sheet - 100 sheets per box NO LONGER SUPPLIED
92296D	LaserJet printer addressing/shipping labels - 5.08cm (2.00in) x 10.2cm (4.00in) labels - 10 per sheet - 100 sheets per box NO LONGER SUPPLIED
92296E	LaserJet printer shipping labels - 8.47cm (3.33in) x 10.2cm (4.00in) labels - Six per sheet - 100 sheets per box NO LONGER SUPPLIED

Labels and Transparencies

Labels

92296F	LaserJet printer return address labels - 1.27cm (0.50in) x 4.45cm (1.75in) labels - 80 per sheet - 25 sheets per box NO LONGER SUPPLIED
92296G	LaserJet printer file folder labels - 1.69cm (0.67in) x 8.73cm (3.44in) labels - 30 per sheet - 25 sheets per box NO LONGER SUPPLIED
92296H	LaserJet printer labels for 3.5-inch diskettes - 7.00cm (2.75in) x 7.00cm (2.75in) labels - Nine per sheet - 70 sheets per box NO LONGER SUPPLIED
92296J	LaserJet printer labels for 5.25-inch diskettes - 3.81cm (1.50in) x 10.2cm (4.00in) labels - 12 per sheet - 70 sheets per box NO LONGER SUPPLIED
92296K	LaserJet printer full sheet label - A size (8.5 x 11-inches) label - One per sheet - 100 sheets per box NO LONGER SUPPLIED

Logic/Control Electronics

Cable

52	RG5-2029-000CN	Cable - From connector J202 on DC controller board to paper registration and paper-out photosensors (PS203 and PS202)
53	RG5-2032-000CN	Cable - From connector J206 on DC controller board to fusing assembly
54	RG5-2033-000CN	Motor cable - From connector J401 on DC controller board to main motor
55	RG5-2035-000CN	Laser cable - From connector J208 on DC controller board to laser unit (Laser driver/beam detect circuitry)
56	RG5-2037-000CN	Door switch cable - From connector J305 on DC controller board to switch 101
57	RG5-3499-000CN	Cable - From control panel to formatter board
58	RG5-3661-000CN	Scanner cable - From connector J207 on DC controller board to scanner motor
59	RG5-3662-000CN	Door switch cable - From connector J209 on DC controller board to door closed/toner cartridge installed sensor (PS204)

Control Panel

60	RG5-2028-000CN	Control panel - Small board on left side of printer
----	----------------	---

PC Board

61	C3991-60001	Formatter board - Has Bi-Tronics interface connector on board
----	-------------	---

Optional Interfaces

Interface (Module)

J4101-61011	External JetDirect 300X print server module (10Base-T and 100Base-T) - Connects between printer parallel port and LAN network - Does NOT include power module - (J4101A, J4101B)
-------------	--

Interface (Product)

J2590A	External JetDirect LAN interface module with RJ-45 connector for EtherTwist (10Base-T) or 100VG/802.12 input and 3 parallel (DB-25) output connectors NO LONGER SUPPLIED
J2591A	External JetDirect LAN interface module and power module - Has EtherTwist (10Base-T) and ThinLAN (10Base-2) connectors NO LONGER SUPPLIED
J3258B	External JetDirect 170X LAN interface module - Interfaces a parallel printer to an ethernet 10Base-T (RJ-45) LAN
J3264A	External JetDirect 500X token ring interface module - Interfaces up to 3 parallel printers to a token ring (DB-9 or RJ-45) LAN
J3265A	External JetDirect 500X LAN interface module - Interfaces up to 3 parallel printers to an ethernet 10Base-T (RJ-45), 10Base2 (BNC), or 100Base-TX (RJ-45) LAN

Module

J2382-69003	External JetDirect LAN interface module with ethertwist (10Base-T) and ThinLAN (10BASE-2) connectors
J2383-61005	External token ring interface module - Has DB-9 connector
J2590-69001	External JetDirect LAN interface module with RJ-45 connector for ethertwist (10Base-T) or 100VG/802.12 input and 3 parallel (DB-25) output connectors REQUIRES RETURN OF DEFECTIVE PART
J2590-61011	<i>New Part for J2590-69001</i>

Optional Interfaces
Module

J2591-69001	External JetDirect LAN interface module with ethertwist (10Base-T) and ThinLAN (10BASE-2) connectors
J2592-69001	External JetDirect LAN interface module with ethertwist (10Base-T) connector REQUIRES RETURN OF DEFECTIVE PART
J2592-61001	<i>New Part for J2592-69001</i>
J2593-69001	External JetDirect LAN interface module with Ethertwist (10Base-T) and ThinLAN (10BASE-2) input connectors and 3 parallel (DB-25) output connectors - (part of J2593A)
J2594-69001	External JetDirect token ring interface module with DB-9 and RJ-45 input connectors and 3 parallel (DB-25) output connectors - (part of J2594A) REQUIRES RETURN OF DEFECTIVE PART
J2594-61011	<i>New Part for J2594-69001</i>
J3258-61011	External JetDirect LAN interface module with EtherTwist (10Base-T) connector - (J3258A, J3258B)
J4102-69011	External JetDirect LAN interface module with EtherTwist (10Base-T) connector - (J4102A, J4102B) REQUIRES RETURN OF DEFECTIVE PART
J4102-61011	<i>New Part for J4102-69011</i>

Module (Product)

J4101B	External JetDirect LAN interface module with EtherTwist (10Base-T/Base-TX) connector
J4102B	External JetDirect LAN interface module with EtherTwist (10Base-T) connector

Power Cord

8120-1351	Power cord (Mint Gray) - 17 AWG, 2.3m (7.5ft) long - Has straight (F) receptacle (For 240V in the UK, Hong Kong, Singapore, Malaysia, and Brunei)
8120-1369	Power cord (Mint Gray) - 17 AWG, 2.0m (6.6ft) long - Has straight (F) receptacle (For 240V in Australia, New Zealand, and China)
8120-1689	Power cord (Mint Gray) - 17 AWG, 2.0m (6.6ft) long - Has straight (F) receptacle (For 220V in Europe, Bangladesh, Indonesia, Pakistan, Burma, Sri Lanka, and Vietnam)
8120-2104	Power cord (Mint Gray) - 2.0m (6.6ft) long - Has straight (F) receptacle (For 220V in Switzerland)
8120-2956	Power cord (Mint Gray) - 2.0m (6.6ft) long - Has straight (F) receptacle (For 220V in Denmark)
8120-4753	Power cord (Flint Gray) - 18 AWG, 2.3m (7.5ft) long - Has straight (F) receptacle (For 100V in Japan)
8120-6302	'Daisy chain' power cord (Dove Gray) - 18 AWG, 1.2m (4.0ft) long - Has C14 (M) plug for power input and C13 (F) plug for power output

Power Module

0950-2372	Power supply module - 100-240VAC input, 47-63Hz, requires separate AC power cord - 5VDC output, 1A, 5 watts - For J2382/83A/B
0950-3169	Wall mount power supply module - 110-127V AC 57-63Hz input - 13V DC output at 300mA (USA, Canada) - For use with the J2592A external JetDirect LAN interface module
0950-3170	Power supply module - 209-253VAC input, 47-53Hz - 13VDC output, 300mA (Europe, Israel) - For use with the J2592A external JetDirect LAN interface module
0950-3171	Power supply module - 220-240VAC input, 47-53Hz - 13VDC output, 300mA (U.K., Hong Kong) - For use with the J2592A external JetDirect LAN interface module
0950-3172	Power supply module - 240VAC input, 47-53Hz - 13VDC output, 300mA (Australia) - For use with the J2592A external JetDirect LAN interface module
0950-3348	Wall mount power supply module (MEI-AH ED12006) - 110-127VAC input, 57-63Hz - 13VDC output, 800mA, 10.4 watts (for use in the United States and Canada) - For models J2590/91/93/94A, J2964A, J3258A/B, J3263/64/65A, J3282B, J4101A/B, J4102A/B
0950-3349	Wall mount power supply module (MEI-AH ED12007) - 230VAC input, 47-53Hz - 13VDC output, 800mA, 10.4 watts (for use in Europe and Israel) - For JetDirect/infrared interface models J2590/91/93/94A, J2964A, J3258A/B, J3263/64/65A, J3282B, J4101A/B, J4102A/B
0950-3350	Wall mount power supply module (MEI-AH ED12008) - 220-240VAC input, 47-53Hz - 13VDC output, 800mA, 10.4 watts (for use in the United Kingdom) - For JetDirect/infrared interfaces J2590/91/93/94A, J2964A, J3258A/B, J3263/64/65A, J3282B, J4101A/B, J4102A/B
0950-3351	Wall mount power supply module (MEI-AH ED12009) - 220VAC input, 47-63Hz - 13VDC output, 800mA, 10.4 watts (for use in South Korea) - For JetDirect/infrared interface models J2590/91/93/94A, J2964A, J3258A/B, J3263/64/65A, J3282B, J4101A/B, J4102A/B

Optional Interfaces**Power Module**

0950-3352	Wall mount power supply module (MEI-AH ED12010) - 100VAC input, 47-63Hz - 13VDC output, 800mA, 10.4 watts (for use in Japan) - For JetDirect/infrared interface models J2590/91/93/94A, J2964A, J3258A/B, J3263/64/65A, J3282B, J4101A/B, J4102A/B
0950-3354	Wall mount power supply module (MEI-AH ED12010) - 220-250VAC input, 47-53Hz - 13VDC output, 800mA, 10.4 watts (for use in South Africa) - For JetDirect/infrared interface models J2590/91/93/94A, J2964A, J3258A/B, J3263/64/65A, J3282B, J4101A/B, J4102A/B
9100-5176	Wall mount power supply module (Leader Electronics 48130625HK) - 200VAC input, 48-52Hz - 13VDC output, 625mA (Hong Kong) - For JetDirect Modules and Infrared Interface Models J2590/91/93/94A, J2964A, J3258A/B, J3263/64/65A, J3282B, J4101A/B, J4102A/B
0950-3350	<i>New Part for 9100-5176</i>

Other Accessories**Cartridge**

C3903F	Black microfine toner (EP) cartridge - For Asia Pacific only
C3906A	Black (Micro-Fine) toner (EP) cartridge - Will print approximately 2,500 pages based on a 5 percent print density

Lubricant

CK-8006-000CN	Grease
---------------	--------

Manual

5851-1468	LaserJet printer family paper specification guide
C3990-90901	LaserJet 6L printer user's manual (English)
C3990-90902	LaserJet 6L printer user's manual (French)
C3990-90903	LaserJet 6L printer user's manual (Italian)
C3990-90904	LaserJet 6L printer user's manual (German)
C3990-90905	LaserJet 6L printer user's manual (Spanish)
C3990-90906	LaserJet 6L printer user's manual (Dutch)
C3990-90907	LaserJet 6L printer user's manual (Denmark)
C3990-90908	LaserJet 5L printer user's manual (Finnish)
C3990-90909	LaserJet 6L printer user's manual (Norwegian)
C3990-90910	LaserJet 6L printer user's manual (Swedish)
C3990-90911	LaserJet 6L printer user's manual (Portuguese)
C3990-90912	LaserJet 6L printer user's manual (Polish)
C3990-90913	LaserJet 6L printer user's manual (Turkish)
C3990-90914	LaserJet 6L user's manual (Traditional Chinese, Taiwan)
C3990-90915	LaserJet 6L printer user's manual (Korean)
C3990-90916	LaserJet 6L printer user's manual (Russian)
C3990-90917	LaserJet 6L printer user's manual (Hungarian)
C3990-90918	LaserJet 6L printer user's manual (Czechoslovakian)
C3990-90919	LaserJet 6L user's manual (Simplified Chinese)
C3990-90920	LaserJet 6L printer user's manual (Thai)
C3990-90923	LaserJet 6L user's manual (Saudi Arabia)
C3990-90924	LaserJet 6L user's manual (Hebrew)
C3990-90925	LaserJet 6L user's manual (Greek)
C3990-90926	LaserJet 6L printer user's manual (Japanese)
C3990-90991	LaserJet 5L and 6L service manual
5021-8943	LaserJet quick reference guide - Volume 1 of 2 volume set
5090-3390	LaserJet quick reference guide - Volume 2 of 2 volume set

Other Accessories**Manual Kit**

5021-0377 HP-GL/2, PCL5 and PJL technical reference manual kit

Software

C6072-60301 HP-GL/2 driver software for AutoCAD - For DOS and Windows 3.1/95/NT 4.0 - On 3.5-inch 1.44MB floppy disks (English)

C6072-60304 HP-GL/2 driver software for AutoCAD - For DOS and Windows 3.1/95/NT 4.0 - On 3.5-inch 1.44MB floppy disks (German)

C6072-60305 HP-GL/2 driver software for AutoCAD - For DOS and Windows 3.1/95/NT 4.0 - On 3.5-inch 1.44MB floppy disks (French)

C6072-60306 HP-GL/2 driver software for AutoCAD - For DOS and Windows 3.1/95/NT 4.0 - On 3.5-inch 1.44MB floppy disks (Spanish)

C6072-60307 HP-GL/2 driver software for AutoCAD - For DOS and Windows 3.1/95/NT 4.0 - On 3.5-inch 1.44MB floppy disks (Italian)

Training Kit

C3990-67915 Self paced training kit for LaserJet 5L, 5L-FS, 6L printers - NTSC format video (VHS)

C3990-67916 Self paced training kit for LaserJet 5L, 5L-FS, 6L printers - PAL format video (VHS)

Training Test

C3990-60184 Additional self paced training test - Contains 1 test for LaserJet 5L, 6L - Contains NTSC training video

Other Internal Parts**Gear Assembly**

138 RY7-5007-000CN Fuser release assembly - Gear/tab assembly on left side of internal main chassis - Includes housing, 2 gears, fuser release tab

Guide

139 RB1-7109-000CN Guide - For memory expansion cover (Door)

Holder

140 RB1-7107-000CN Gear holder - For gear kit #1

Interlock

141 RG5-3453-000CN Interlock assembly - Detects if EP (Toner) door is open

Plate

142 RB2-1632-000CN Gear support plate - For gear kit #2

Tab

143 RB1-7105-000CN Fuser release lever - Part of fuser release assembly

Paper Path Parts**Arm**

144 RB1-7293-000CN Paper exit sensor arm - Spring NOT included

Bushing

145 RB1-7184-000CN Pickup roller bushing

146 RB1-7246-000CN Pressure roller bushing

147 RB1-7288-020CN Exit roller bushing

Clip

148 RB1-7223-000CN Pickup roller shaft grounding clip

Clutch

149 RB1-7197-000CN Clutch

Connector

150 VS1-5057-002CN SL2/Tray 2 solenoid electrical connector

Paper Path Parts**Door**

RF5-1501-030CN Main front door that is attached to the multipurpose input tray

Feed Assembly

152 RG5-3485-030CN Feed assembly - Has idler roller, sensor flag and paper input sensor

Frame

153 RB1-7177-000CN Paper feed frame - Main frame that parts such as pickup roller assembly and separation pad are installed on

Fusing Assembly

154 5182-2809 Heating element assembly (For 220V to 240V operation) - Bonds toner to paper by heat - In quantity price break packaging (Contains 5 New assemblies)
NO LONGER SUPPLIED

155 5182-2810 Heating element assembly (For 220V to 240V operation) - Bonds toner to paper by heat - In quantity price break packaging (Contains 10 New assemblies)

156 RG5-3459-040CN Heating element assembly (For 100V to 120V operation) - Bonds toner to paper by heat

157 RG5-3463-000CN Heating element assembly (For 220V to 240V operation) - Bonds toner to paper by heat

Gear

158 RS5-0796-000CN Pressure roller shaft gear

159 RY7-5005-000CN Gear kit - Includes first five gears on front left side area of the internal chassis - Gear kit #1

Gear Assembly

160 RY7-5036-000CN Gear kit '#3' - Includes first four gears driven by main motor

Guide

161 RB1-7176-000CN Sheet guide - Mylar strip paper guide

162 RB1-7247-000CN Fuser paper guide

163 RB1-7341-000CN Right side toner cartridge guide

164 RF5-1514-000CN Left side toner cartridge guide - Back half of guide

165 RF5-1515-000CN Right side toner cartridge guide - Back half of guide

166 RF5-1533-000CN Pressure roller ground guide - Protects pressure roller ground cable

167 RF5-2358-000CN Transfer roller guide

168 RG5-3452-000CN Transfer guide

Leg

169 RB1-7185-000CN Left leg - Small leg on left side of paper kick plate

170 RB1-7186-000CN Right leg - Small leg on right side of paper kick plate

Motor

171 RH7-1320-000CN Main motor

Pad

172 RY7-5077-000CN Printer separation pad kit - Includes main pad, spring, and two smaller subpads - Also order pickup roller assembly

Plate

173 RF5-1517-000CN Fuser pressure plate - Guides paper over fuser roller

174 RF5-2372-000CN Paper kick plate (Middle)

Roller

175 RB2-1699-000CN Idler roller for feed assembly

176 RF5-1534-000CN Transfer roller - Located underneath toner (EP) cartridge

177 RF5-2364-000CN Pressure roller - Shaft/roller with gear on left side of roller located underneath the heating element

178 RF5-2367-000CN Exit roller assembly - Shaft with four black rollers - Rollers are aligned with and work in conjunction with the white 'Multi-ridged' rollers of the delivery assembly

179 RG5-3486-040CN Pickup roller assembly - Shaft/roller assy that feeds paper from paper input assemblies - Also order separation pad kit

Paper Path Parts**Sensor**

180 RY7-5009-000CN Paper sensor flag/arm - Detects leading and trailing edges of paper

Shaft

181 RG5-1947-000CN Idler roller shaft assembly - Includes spring and gears on left end of shaft

Solenoid

182 RH7-5139-000CN Paper pickup solenoid

Spring

183 RS5-2501-000CN Paper kick plate spring

Strap

184 RB1-7129-000CN Case grounding strap (metal)

Support

185 RB1-7255-000CN Left side pressure roller support

186 RB1-7256-000CN Right side pressure roller support

Tray Fin

RB1-7332-000CN Output tray fin - Added to output tray to reduce possibility of accordion paper jams at fuser roller - Replaced by EP (Toner) door assembly
NO LONGER SUPPLIED

RF5-1501-030CN New Part for RB1-7332-000CN

Power Supplies and Parts**Power Cord**

8120-1351 Power cord (Mint Gray) - 17 AWG, 2.3m (7.5ft) long - Has straight (F) receptacle (For 240V in the UK, Hong Kong, Singapore, Malaysia, and Brunei)

8120-1369 Power cord (Mint Gray) - 17 AWG, 2.0m (6.6ft) long - Has straight (F) receptacle (For 240V in Australia, New Zealand, and China)

8120-1378 Power cord (Jade Gray) - 18 AWG, 2.3m (7.5ft) long - Has straight (F) receptacle (For 120V in USA, Canada, Latin America, Korea, Taiwan, Thailand, Spain, Brazil, and Vietnam)

8120-1689 Power cord (Mint Gray) - 17 AWG, 2.0m (6.6ft) long - Has straight (F) receptacle (For 220V in Europe, Bangladesh, Indonesia, Pakistan, Burma, Sri Lanka, and Vietnam)

8120-2104 Power cord (Mint Gray) - 2.0m (6.6ft) long - Has straight (F) receptacle (For 220V in Switzerland)

8120-2956 Power cord (Mint Gray) - 2.0m (6.6ft) long - Has straight (F) receptacle (For 220V in Denmark)

8120-4211 Power cord (Mint Gray) - 17 AWG, 2.0m (6.6ft) long - Has straight (F) receptacle (For 240V in South Africa and India)

Power Supply

195 RG5-3506-000CN DC controller/power supply board - 120VAC

196 RG5-3768-000CN DC controller/power supply board - 240VAC

Seperation Guide Assembly**Bushing**

197 RB2-1690-000CN Fuser exit roller bushing

Guide

RG5-3475-000CN Separation guide assembly - Includes the face-up/face-down paper selection lever/deflector and fuser exit roller assembly

Lever Assembly

199 RG5-3476-000CN Face-up/face-down shaft and media deflector

Roller

200 RF5-2368-000CN Fuser exit roller assembly - Shaft and rollers - Attaches to separation guide assembly

Seperation Guide Assembly

Spring

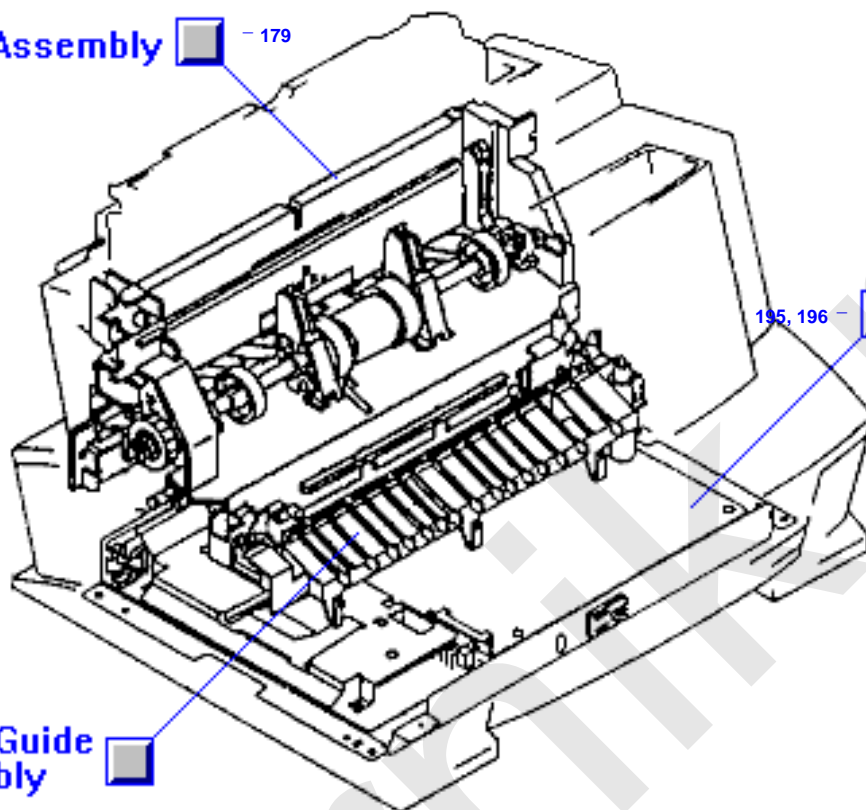
201 RB1-7294-000CN Spring - For paper exit sensor arm

laser.nik.ru



Major Assembly Locations

Pickup Roller Assembly



DC Controller

195, 196

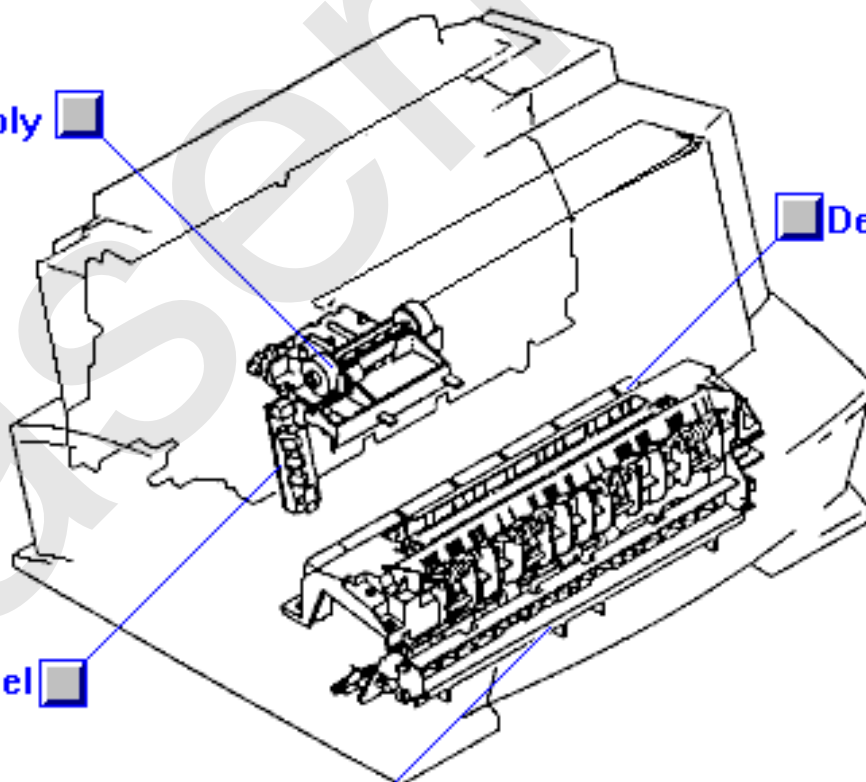
Transfer Guide Assembly



Feed Assembly



152



Delivery Assembly

Control Panel

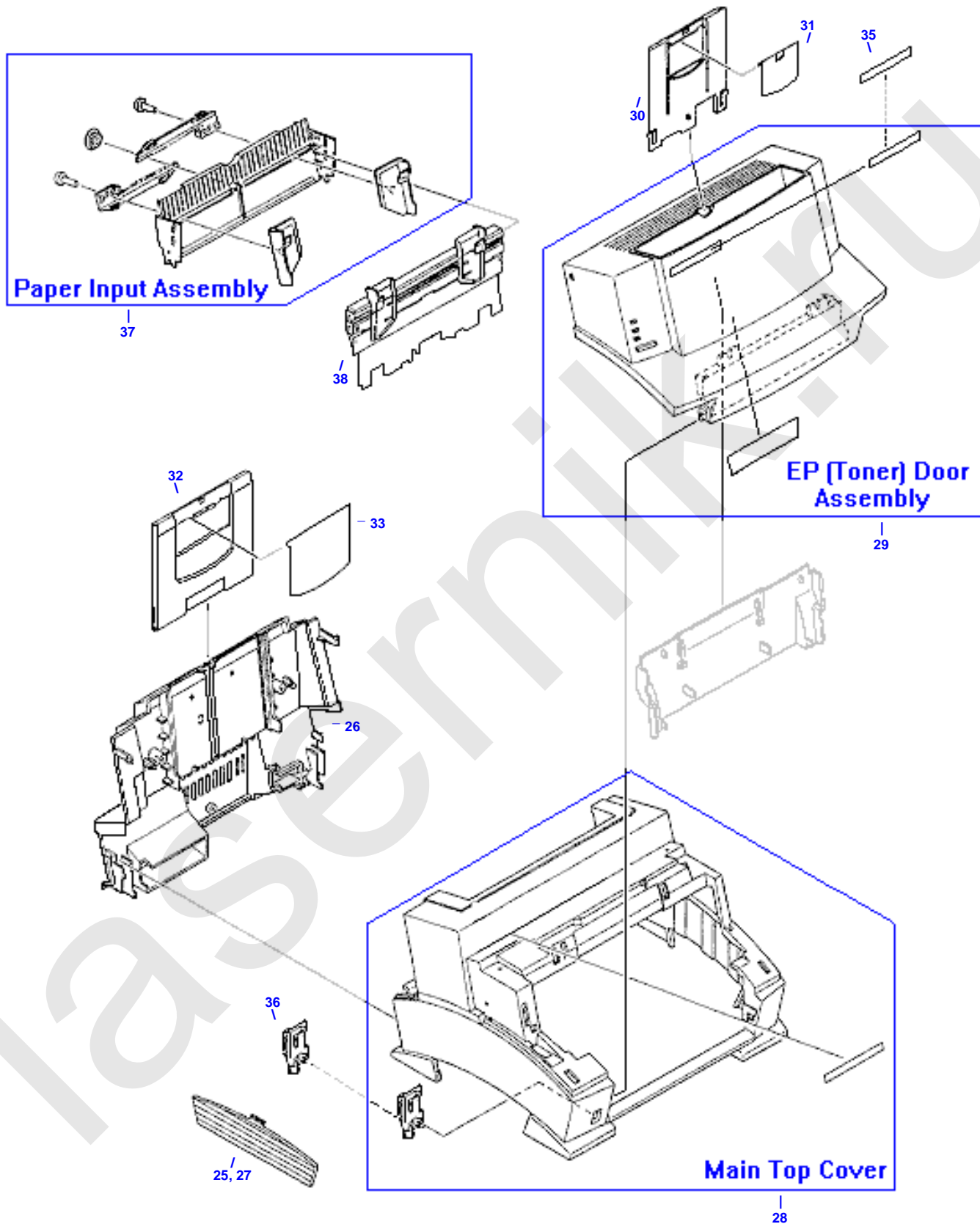


Separation Guide Assembly

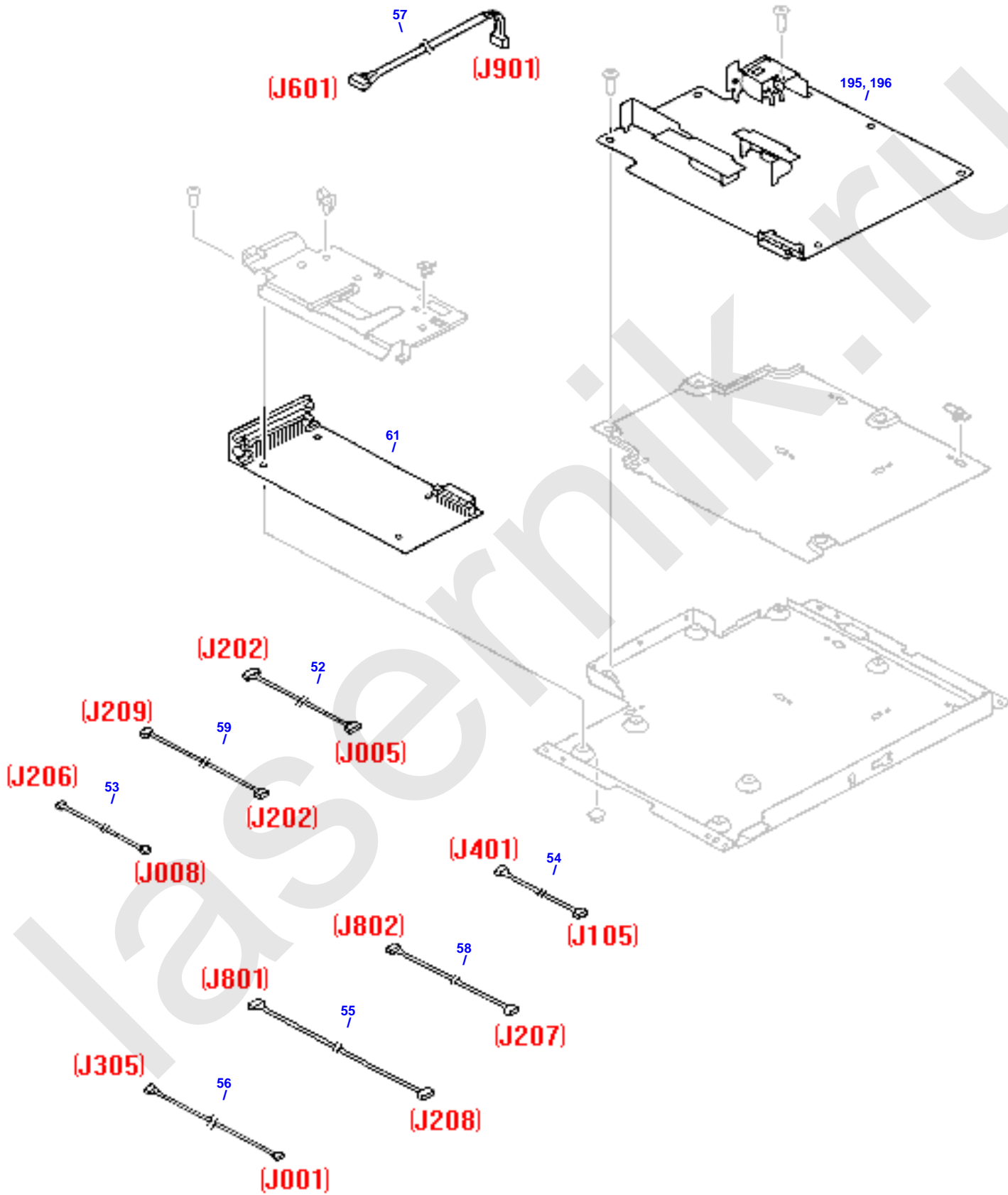




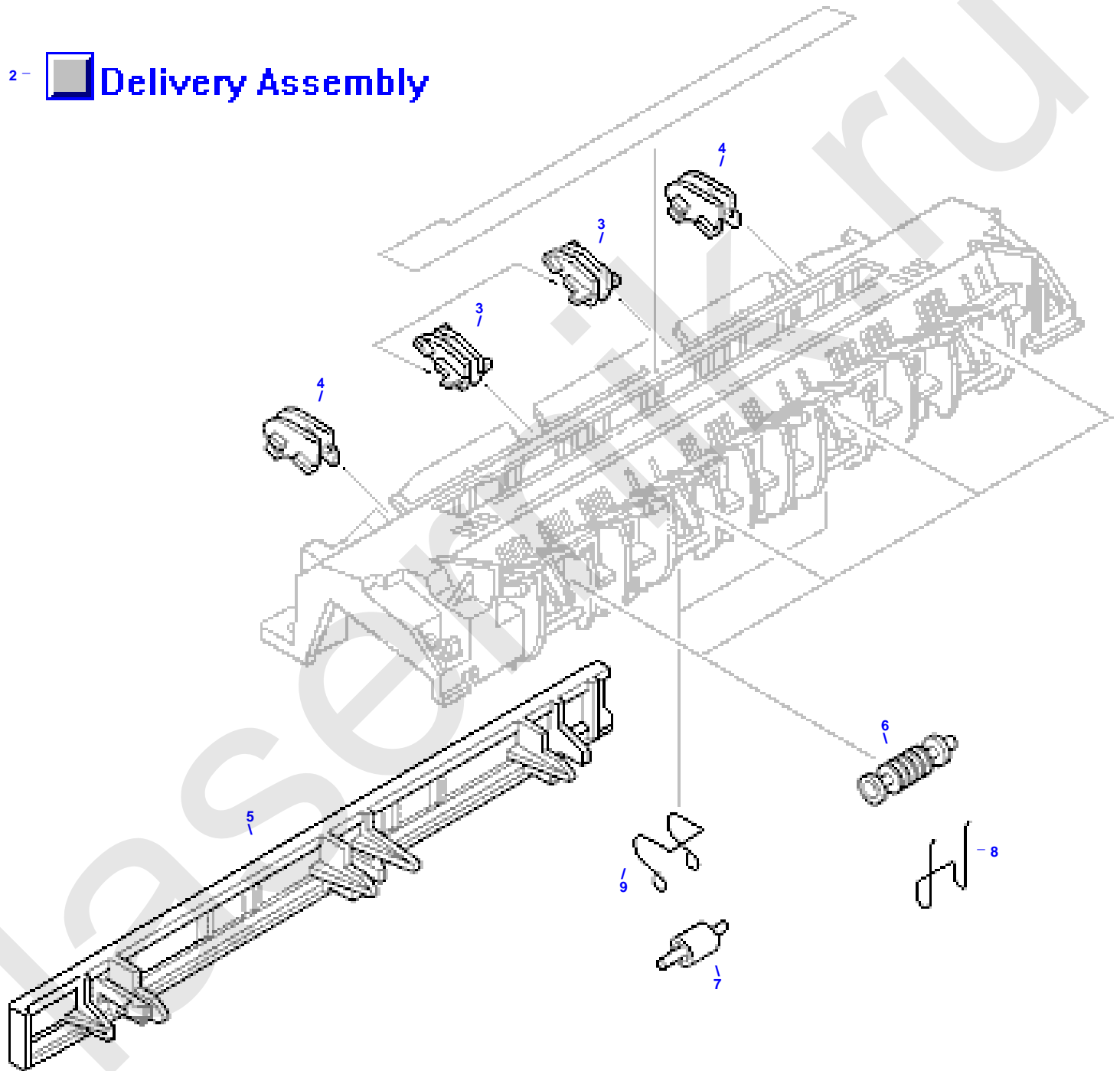
Covers and Doors



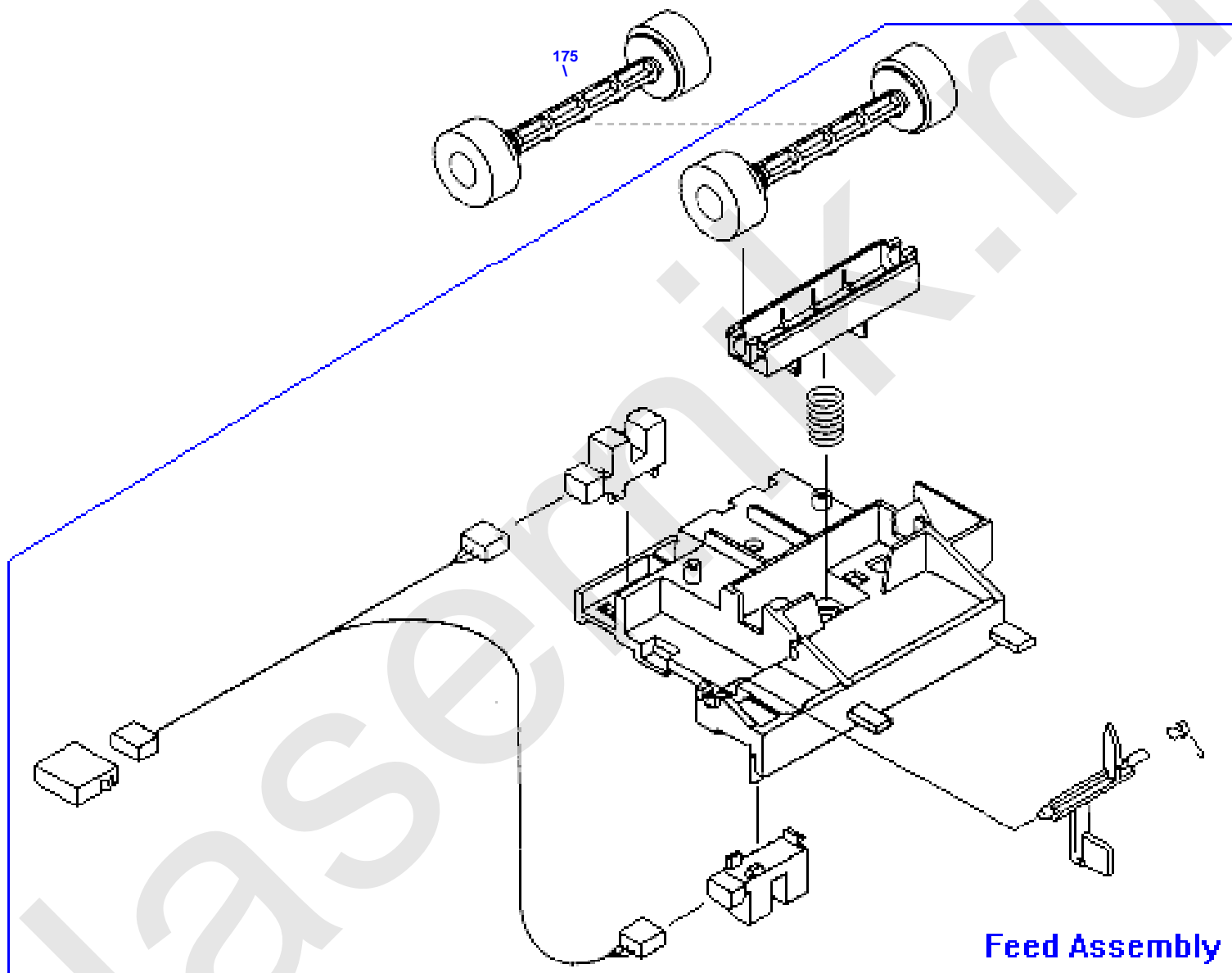
DC Controller/Formatter and Cables



Delivery Assembly

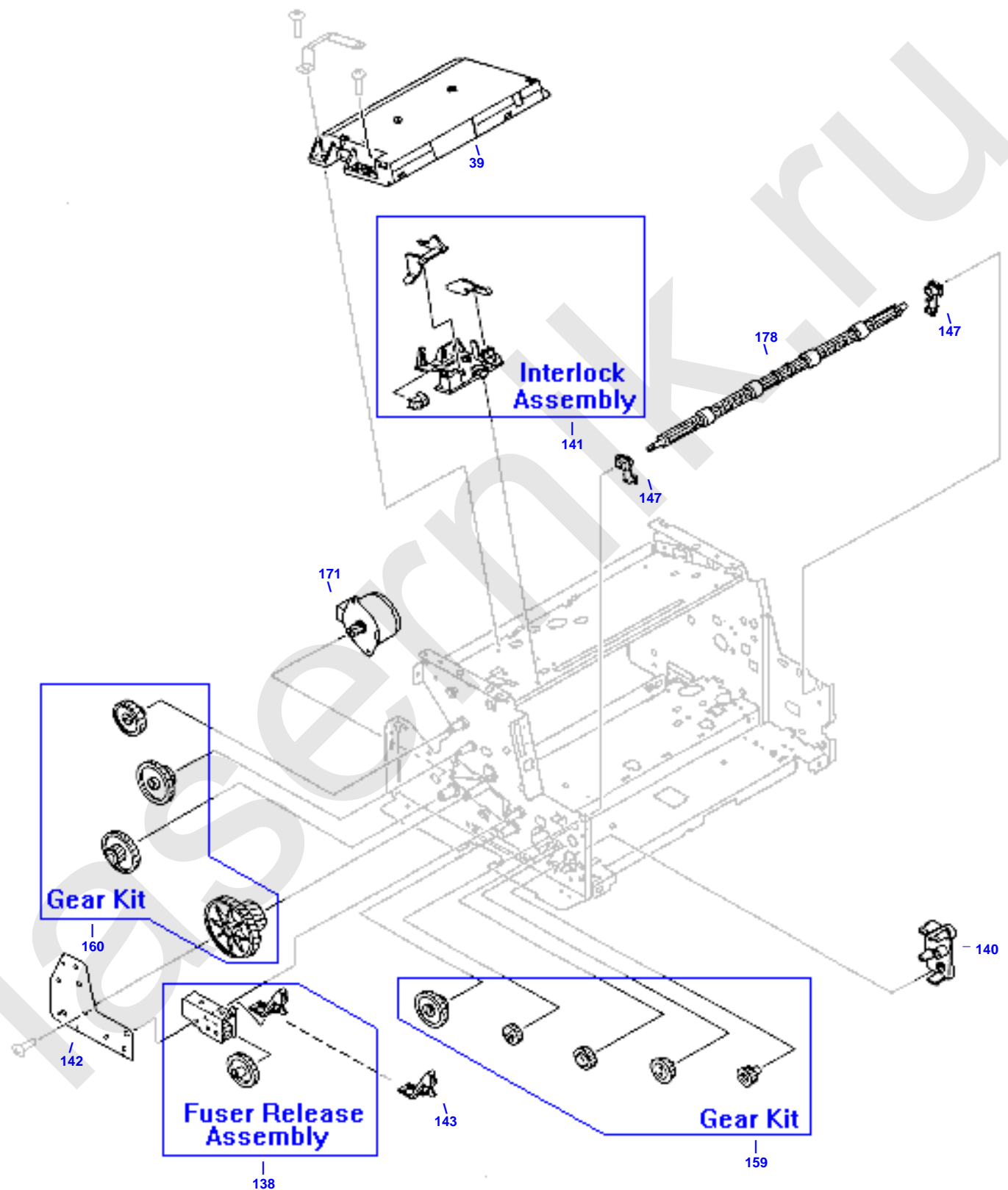
2-  Delivery Assembly

Feed Assembly



Feed Assembly

152



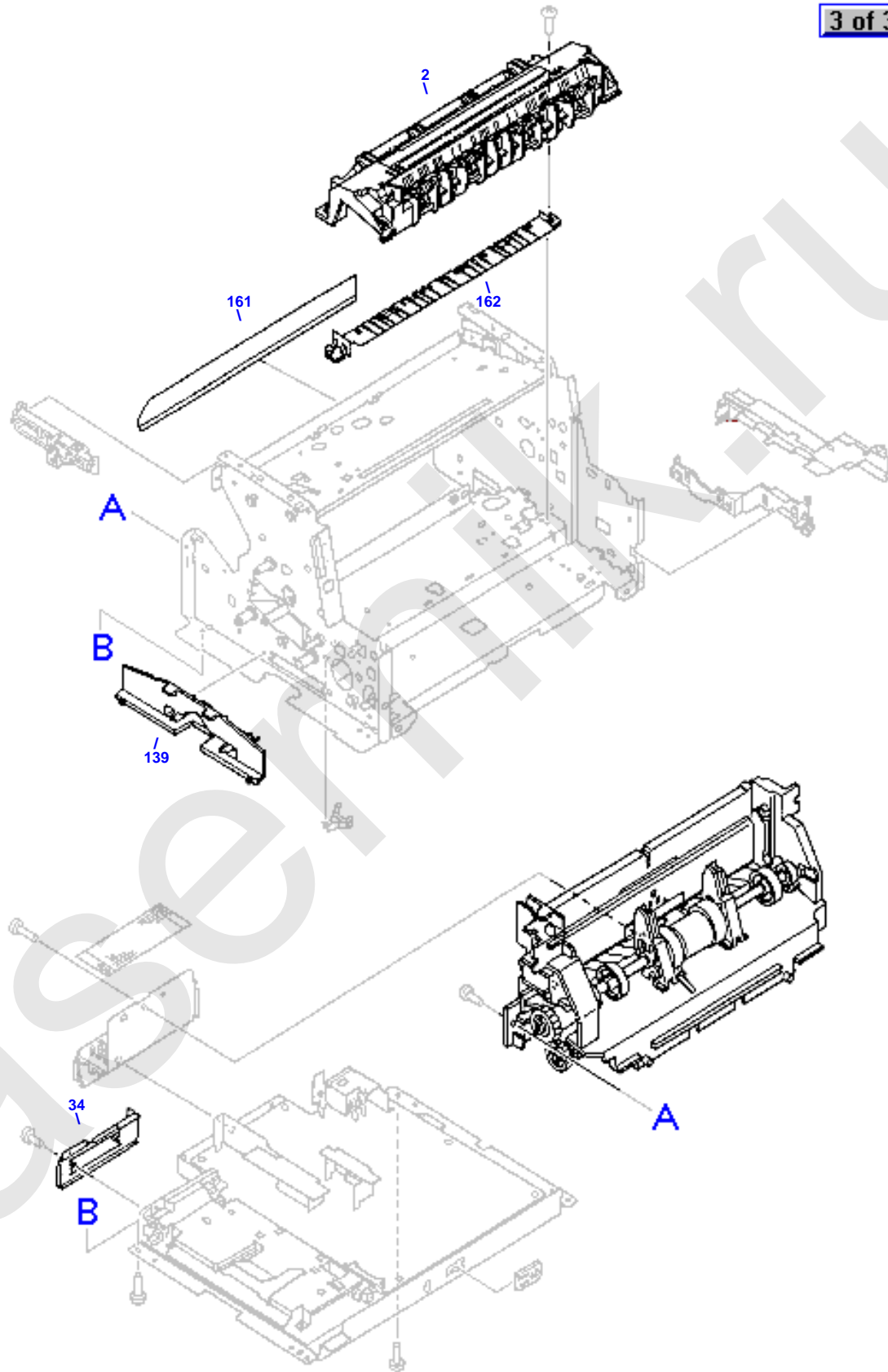


invent

Internal Components (2 of 3)

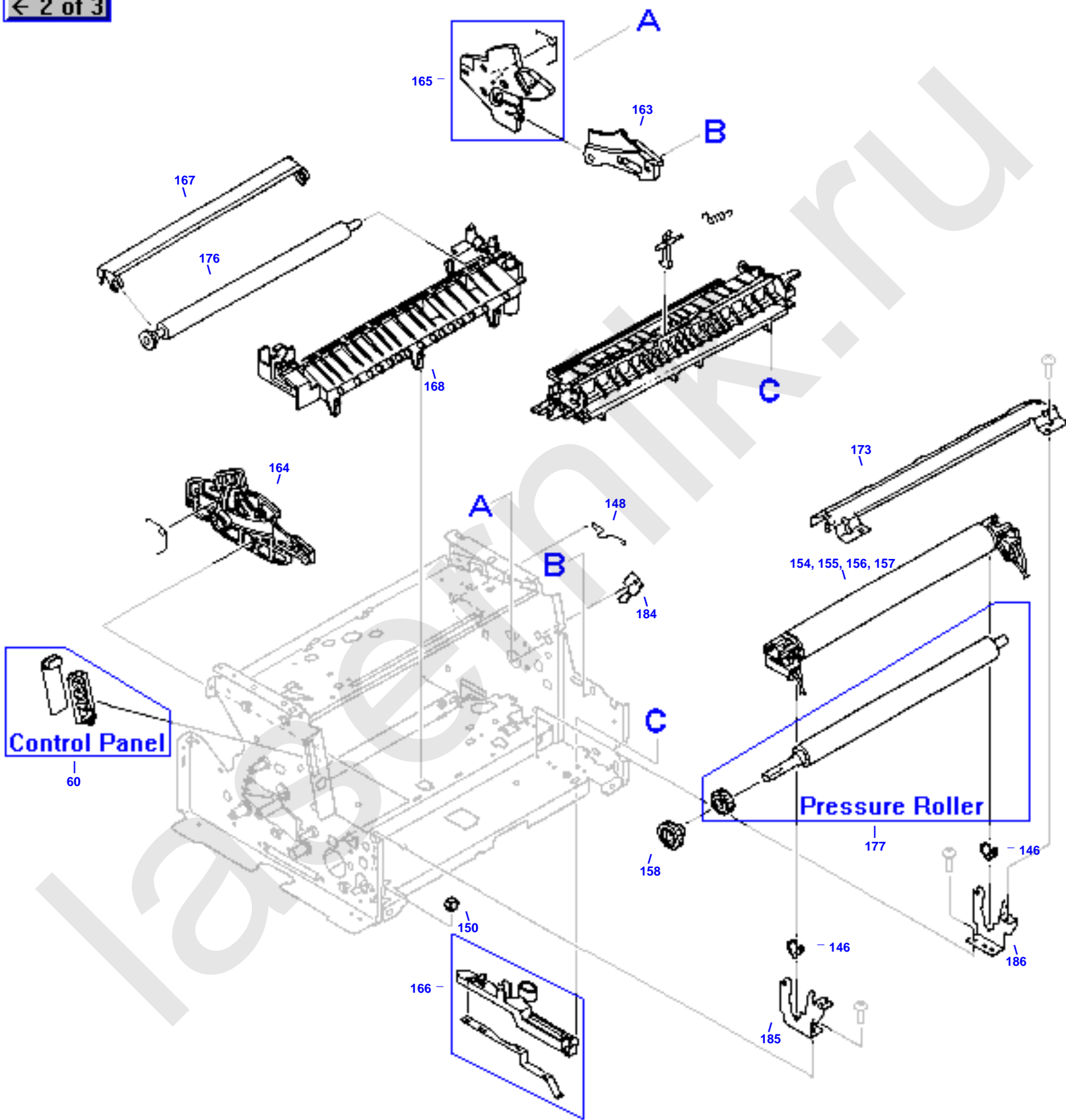
← 1 of 3

3 of 3 →

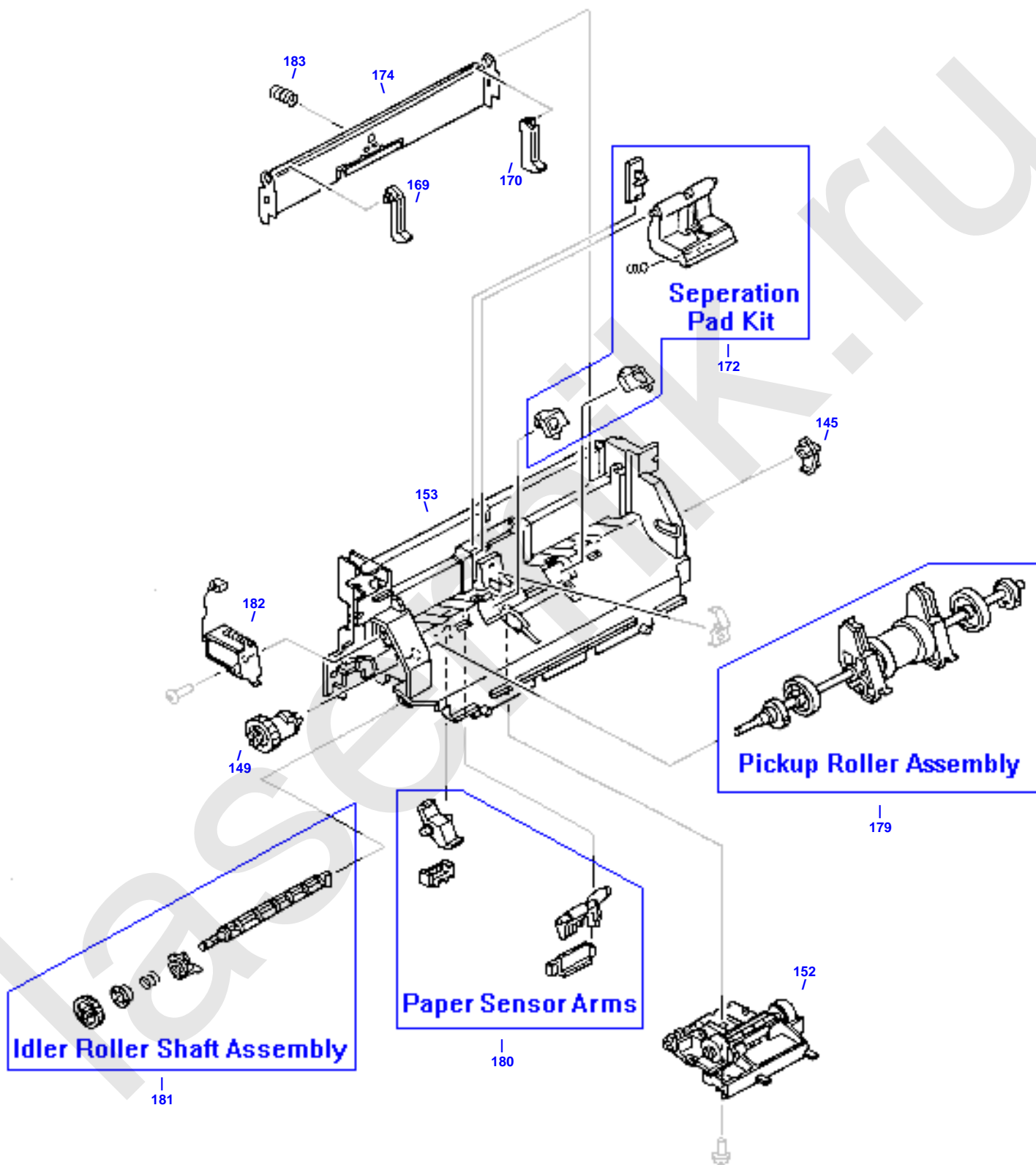


Internal Components (3 of 3)

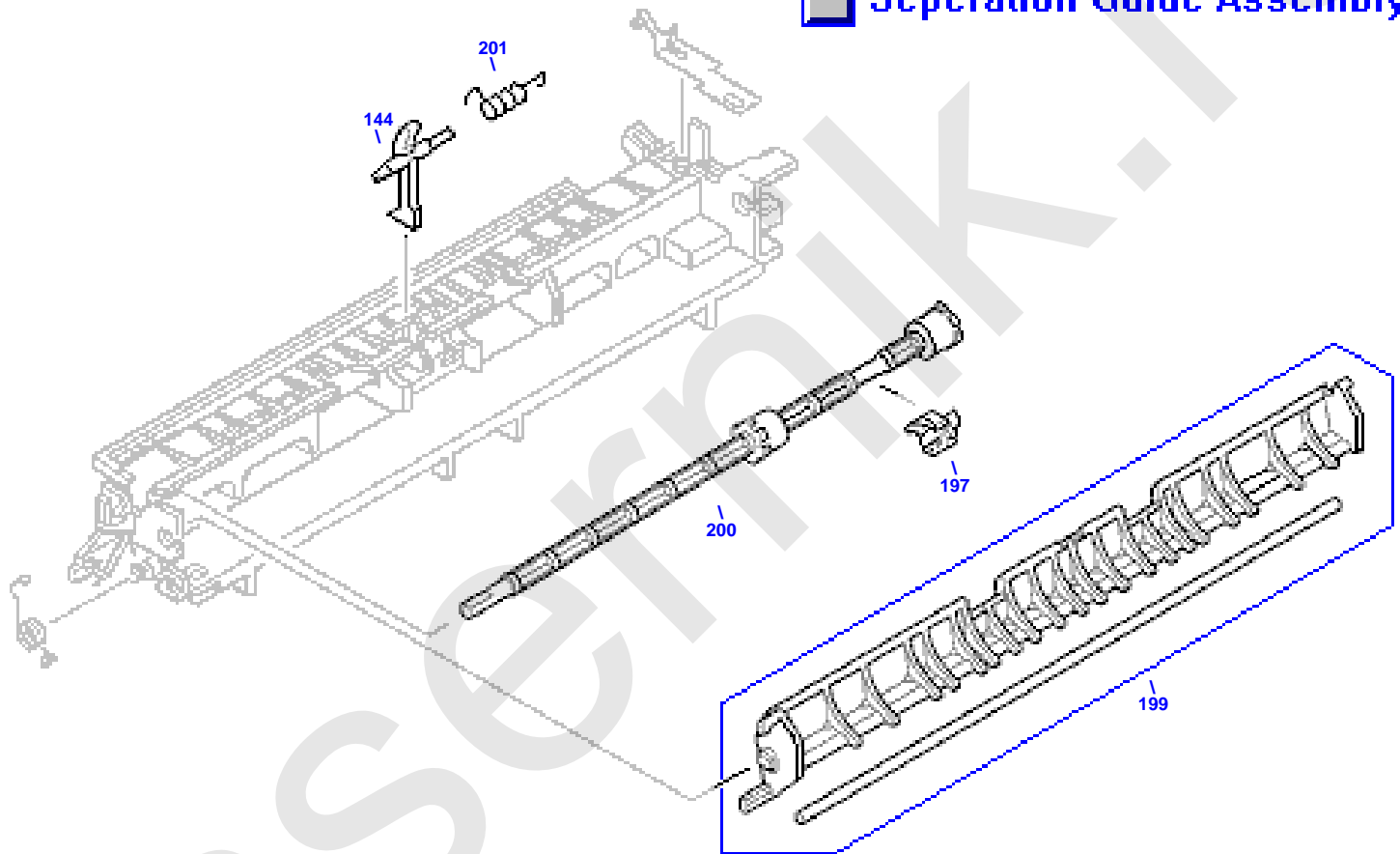
← 2 of 3



Pickup Assembly



Seperation Guide Assembly

 Seperation Guide Assembly

HP Parts Reference Guide

<http://www.hp.com/go/parts>

HP PartSurfer

<http://partsurfer.hp.com>

HP Parts Ordering Information

<http://www.hp.com/go/hpparts>

HP Parts Questions/Comments

<http://partsurfer.hp.com/contactus.htm>

laser.nik.ru