

250 Sheet Tray
Cover

1 RB2-2037-000CN Tray cover - 250 sheet paper tray cover

Extension

2 RB2-2020-000CN Tray extension - Paper length adjustment extension

Lock

3 RB2-2042-000CN Extension lock - Paper length extension lock

Pad

4 RG9-1485-000CN Tray 2 separation pad with spring

Stop

5 RB2-2023-000CN Paper stop (Blue plastic) - Paper length adjustment stop plate

Tray

6 C4116-69001 250 sheet universal paper tray

RG5-7188-020CN New Part for C4116-69001

7 C4116A HP LaserJet 5000/N/GN 250 Sheet Universal paper input tray - Holds 250 sheets of letter, legal, Executive, ledger/tabloid, A3, A4, A5, B, B4, or B5 size paper

RG5-7188-020CN New Part for C4116A

500 Sheet Feeder
Arm

8 RF5-2635-000CN Paper arm - Supports paper pickup roller assembly

Cable

9 RG5-4213-000CN Cable assembly with ferrite - A large 14 pin (F) connector to a small 11 pin (F) connector - 10.0cm (3.9 inches) long

Coupler

10 RB2-3314-000CN Pickup roller coupler

Cover

11 RB2-3213-000CN Inner cover - Tray size sensor cover

12 RB2-3235-000CN Front cover

13 RB2-3236-000CN Right auxiliary cover

14 RB2-3237-000CN Left auxiliary cover

15 RB2-3238-000CN Right cover

16 RB2-3239-000CN Left cover

RB2-3247-000CN Paper tray top cover

RB3-0441-000CN New Part for RB2-3247-000CN

RB2-3262-000CN Return cover - Access to paper pickup roller

Drive Assembly

RG5-4183-050CN Paper pickup gear drive assembly

Frame

20 RG5-4180-000CN Left frame assembly

Mount

21 RB2-3211-000CN Right mount

PC Board

22 RG5-4211-000CN Feeder controller PCA assembly

23 RG5-4212-000CN Sensor PCA - Tray size sensor PCA - Has four micro switches actuated by the tray size sensor leaf spring

RG5-4212-020CN New Part for RG5-4212-000CN

500 Sheet Feeder
Roller

| | | |
|----|----------------|--|
| 24 | RB1-8865-000CN | Paper pick-up roller - 'D' roller (Sold individually) |
| 25 | RB2-3232-000CN | Feed roller - Shaft with round rollers that moves paper after pickup roller on 500 sheet feeder assembly |
| 26 | RF5-2634-000CN | Feed roller - Moves paper after pickup roller |
| 27 | RF5-2636-000CN | Pickup roller assembly - Picks paper out of tray |

Sensor

| | | |
|----|----------------|----------------------|
| 28 | RF5-2633-000CN | Tray sensor assembly |
|----|----------------|----------------------|

Spring

| | | |
|----|----------------|---|
| 29 | RB2-3284-000CN | Leaf spring - Provides tension on tray for proper alignment |
| 30 | RB2-3286-000CN | Leaf spring - Tray size sensor spring |
| 31 | RS5-2632-000CN | Tension spring - Provides tension for pickup roller |

Controller Assembly
Cable

| | | |
|----|----------------|---|
| 32 | RH2-5337-000CN | Ribbon cable - Has two 40 pin (M) edge connectors - 1.4cm (0.6 inches) long |
|----|----------------|---|

Lever

| | | |
|----|----------------|--|
| 33 | RB2-1791-000CN | Sensor lever - Tray 2 paper out sensor |
|----|----------------|--|

Mount

| | | |
|----|----------------|--------------|
| 34 | RB2-1790-000CN | Sensor mount |
|----|----------------|--------------|

Drive Parts
Drive

| | |
|-------------|---|
| C2985-61021 | 20GB hard drive (LaserJet) - LaserJet EIO font/print job storage - Used as replacement for 2.1GB and 3.2GB drives when used in a LaserJet |
|-------------|---|

Duplex Unit
Reversing Unit

| | | |
|----|----------------|--|
| 36 | RG5-3624-000CN | Reversing assembly for Duplexer assembly |
|----|----------------|--|

Electronic Accessories
Adapter

| | |
|--------|--|
| C2809A | Serial cable adapter - 9-pin male to 25-pin female |
|--------|--|

Cable (Interface)

| | |
|-----------|---|
| 5063-1256 | IEEE-1284 Bi-Tronics parallel cable - DB-25 (M) connector (type A) to 36 pin Centronics (M) connector (type B) - 2.0m (6.6ft) long |
| 5063-1257 | IEEE-1284 Bi-Tronics parallel cable - DB-25 (M) connector (type A) to 36 pin Centronics (M) connector (type B) - 3.0m (9.8ft) long |
| 92215N | Interface cable kit - For HP peripherals designed for use in an AppleTalk/Phonenet network - Not for Macintosh models that have recessed I/O connectors |
| 92215S | RS-422 serial cable - 8 pin (M) to 8 pin (M) - 2.0m (6.6ft) long - For connecting Apple Macintosh with LocalTalk/serial connector |
| C2932A | RS-232C serial cable - 9 pin (M) to 9 pin (F) - 3.0m (9.8ft) long NO LONGER SUPPLIED |
| C2933A | RS-232C serial cable - 9 pin (M) to 25 pin (F) - 3.0m (9.8ft) long NO LONGER SUPPLIED |
| C2950A | IEEE-1284 Bi-Tronics parallel cable - DB-25 (M) connector (type A) to 36 pin Centronics (M) connector (type B) - 2.0m (6.6ft) long |
| 5063-1256 | <i>New Part for C2950A</i> |
| C2951A | IEEE-1284 Bi-Tronics parallel cable - DB-25 (M) connector (type A) to 36 pin Centronics (M) connector (type B) - 3.0m (9.8ft) long |
| C2990A | IEEE-1284 Bi-Tronics parallel cable - DB-25 (M) (type A) to 36 pin (M) Centronics (type B) - 1.8m (6ft) long NO LONGER SUPPLIED |

Electronic Accessories
Cable (Interface)

C2991A IEEE-1284 Bi-Tronics parallel cable - DB-25 (M) (type A) to 36 pin (M) Centronics (type B) - 3.0m (10ft) long
 NO LONGER SUPPLIED

Duplexer

48 C4113-69001 Duplexer assembly - (C4113A)
 REQUIRES RETURN OF DEFECTIVE PART

C4113-67901 *New Part for C4113-69001*

49 C4113A Duplexer assembly - For 2 sided printing

Interface (Product)

J6057A JetDirect 615N internal print server (10Base-T and 100Base-TX) LAN interface board - Plugs into peripheral EIO slot - Has a RJ-45 connector - Comes with software on CD-ROM and manual

J6057AR JetDirect 615N internal print server (10Base-T and 100Base-TX) LAN interface board - Plugs into peripheral EIO slot - Has a RJ-45 connector - Comes with software on CD-ROM and manual

Memory (DIMM)

C4135-67901 4MB, 100-pin, 32-bit, 60nS, EDO DRAM DIMM memory module

C4136-67901 8MB, 100-pin, 32-bit, 60nS, EDO DRAM DIMM memory module

C4137-67901 16MB, 100-pin, 32-bit, 60nS, EDO DRAM DIMM memory module

C7842-67901 8MB, 100-pin SDRAM DIMM memory module

C7843-67901 16MB, 100-pin SDRAM DIMM memory module

C7845-67901 32MB, 100-pin SDRAM DIMM memory module

Memory (Product)

C4135A 4MB, 100-pin, 32-bit, 60nS, EDO DRAM DIMM memory module

C4136A 8MB, 100-pin, 32-bit, 60nS, EDO DRAM DIMM memory module

C4137A 16MB, 100-pin, 32-bit, 60nS, EDO DRAM DIMM memory module

C4140A 4MB, 100-pin SDRAM DIMM memory module

NO LONGER SUPPLIED

C7842A *New Part for C4140A*

C4286A 2MB flash DIMM memory - Font storage device

C4292A 8MB Traditional Chinese MROM DIMM - For LaserJet 4000 and 5100 series printers

C4293A 8MB Simplified Chinese MROM DIMM - For LaserJet 4000 and 5100 series printers

C7842A 8MB, 100-pin SDRAM DIMM memory module

C7843A 16MB, 100-pin SDRAM DIMM memory module

C7845A 32MB, 100-pin SDRAM DIMM memory module

PC Board (Interface)

J3111-69001 JetDirect 600N EIO internal print server 10Base-T, 10BASE-2, and LocalTalk LAN interface board - Has one RJ-45, BNC, and 8-pin DIN connector - (J3111A) - NOTE: EIO interface boards are NOT interchangeable with MIO boards
 REQUIRES RETURN OF DEFECTIVE PART

J3111-61001 *New Part for J3111-69001*

External Case Parts
Arm

69 RB1-6134-000CN Tray 1 sensor arm

Block

70 RB2-1991-000CN Right latch block - Housing for right side tray latch

71 RB2-1992-000CN Left latch block - Housing for left side tray latch

External Case Parts
Cover

| | | |
|----|----------------|--|
| | 5021-0349 | EIO slot cover |
| 73 | RB2-1747-000CN | Face down auxiliary cover |
| 74 | RB2-1749-000CN | Right side cover assembly |
| 75 | RB2-1755-000CN | Right corner cover |
| 76 | RB2-1756-000CN | Left corner cover |
| 77 | RG5-3547-000CN | Front inner cover assembly - With tray 1 sensor arm, arm spring and tray 1 leaf spring |
| 78 | RG5-3549-000CN | Front cover assembly - Drop down paper tray assembly |
| 79 | RG5-3550-000CN | Left side cover assembly |
| | RG5-3551-000CN | Rear cover assembly |

Deflector

| | | |
|--|----------------|--|
| | RB2-1978-000CN | Deflection pawl - Diverts paper output to rear tray or top |
|--|----------------|--|

Gear

| | | |
|----|----------------|---------------------------|
| 82 | RB1-6130-000CN | Tray 1 pickup roller gear |
|----|----------------|---------------------------|

Guide

| | | |
|----|----------------|--|
| 83 | RB2-1970-000CN | Rear paper guide - Deflects paper to output tray |
|----|----------------|--|

Latch

| | | |
|----|----------------|------------------------------------|
| | RB2-1975-000CN | Right side rear face up tray latch |
| 85 | RB2-1976-000CN | Left side rear face up tray latch |

Pin

| | | |
|----|----------------|--|
| 86 | RB2-1745-000CN | Front cover pin - Hinge pins for drop down front cover |
|----|----------------|--|

Receptacle

| | | |
|--|----------------|---|
| | RG5-3545-000CN | Power inlet assembly - A/C input and power switch |
|--|----------------|---|

Rod

| | | |
|----|----------------|---|
| 88 | RB2-1731-000CN | Switch rod - Mechanical link between on/off switch lever and electrical on/off switch at power inlet assembly |
|----|----------------|---|

Spring

| | | |
|----|----------------|---|
| 89 | RB1-6136-000CN | Tray 1 sensor arm spring - Holds tension on sensor arm |
| 90 | RB2-1772-000CN | Leaf spring for Tray 1 |
| 91 | RS5-2952-000CN | Latch plate spring - Holds tension on rear tray latches |

Strap

| | | |
|----|----------------|--|
| 92 | RB2-1977-000CN | Tray support strap - Supports rear drop down output tray |
|----|----------------|--|

Switch

| | | |
|----|----------------|---------------|
| 93 | RB2-1744-000CN | On/off switch |
|----|----------------|---------------|

Tray

| | | |
|----|----------------|--|
| 94 | RG5-3552-060CN | Face up tray assembly - Drop down output tray with extension |
|----|----------------|--|

Interface Board Parts
PC Board (Interface)

| | | |
|--|-------------|---|
| | J3110-69001 | JetDirect 600N EIO internal print server 10Base-T LAN interface board - Has one RJ-45 connector - (J3110A) - NOTE: EIO Interface Boards are NOT Interchangeable with MIO Boards |
| | J6057-69001 | <i>New Part for J3110-69001</i> |

Internal Components
Arm

| | | |
|----|----------------|---------------------------------------|
| 96 | RB2-1781-000CN | Multi purpose tray paper sensor lever |
| 97 | RB2-1782-000CN | Lower tray paper sensor lever |

Internal Components**Bushing**

| | | |
|-----|----------------|--|
| 98 | RB1-6177-000CN | Tray 1 and 2 pickup shaft bushing - Right side |
| 99 | RB1-6179-000CN | Tray 1 and 2 pickup shaft bushing - Right side |
| 100 | RB2-1988-000CN | Right side bushing for lower delivery roller |
| 101 | RB2-1989-000CN | Left side bushing for lower delivery roller |
| 102 | RS5-1392-000CN | Tray 1 and 2 left side pickup roller shaft bushing |

Cable

| | | |
|-----|-----------------------|--|
| | RG5-3554-000CN | Face down bin full cable |
| | RG5-3557-000CN | Cable assembly - A 20 pin (F) connector to two 14cm (5.5 inch) cables with 7 pin (F) connectors, a 31.5cm (12.4 inch) cable with a 9 pin (F) connector, and a 39.4cm (15.5 inch) cable with a 3 pin (F) connector |
| | <i>RG5-7073-000CN</i> | <i>New Part for RG5-3557-000CN</i> |
| | RG5-3558-000CN | Top of page sensor cable |
| 106 | RG5-3561-000CN | Fuser cable |
| 107 | RG5-3562-000CN | Cable assembly - A 22 pin (F) connector to many cables: 32.4cm (12.8 inch) with 8 pin (F) connector, 34.9cm (13.8 inch) with 7 pin (F) connector, 40.3cm (15.9 inch) with 4 pin (F) connector, and 66.4cm (26.1 inch) with 3 pin (F) connector |
| | <i>RG5-7072-000CN</i> | <i>New Part for RG5-3562-000CN</i> |
| | RH2-5338-000CN | Ribbon cable - From paper PCA to controller PCA |

Cam

| | | |
|-----|----------------|---|
| 109 | RB2-1796-000CN | Left side tray 1 pickup roller shaft cam |
| 110 | RB2-1797-000CN | Right side tray 1 pickup roller shaft cam |

Clutch

| | | |
|-----|----------------|---|
| 111 | RH7-5191-000CN | Paper feed clutch |
| 112 | RH7-5192-000CN | Registration clutch - Engages registration roller |

Connector

| | | |
|-----|----------------|--|
| 113 | WS6-5092-000CN | Power connector - Supplies power to optional paper trays |
|-----|----------------|--|

Fan

| | | |
|-----|----------------|-------------|
| 114 | RH7-1430-000CN | Cooling fan |
|-----|----------------|-------------|

Formatter Kit

| | | |
|--|-------------|---|
| | C4110-69022 | Formatter kit - Formatter PCA with tools and instructions |
|--|-------------|---|

Fusing Assembly

| | | |
|-----|-----------------------|--|
| 116 | C4110-69018 | Fusing assembly - 110 volts REQUIRES RETURN OF DEFECTIVE PART |
| | <i>RG5-5455-100CN</i> | <i>New Part for C4110-69018</i> |
| 117 | C4110-69019 | Fusing assembly - 220 volts REQUIRES RETURN OF DEFECTIVE PART |
| | <i>RG5-5456-100CN</i> | <i>New Part for C4110-69019</i> |

Gear

| | | |
|-----|----------------|---------------------------------------|
| 119 | RS5-0695-000CN | Tray 2 pickup roller shaft drive gear |
| 120 | RS6-0357-000CN | Delivery roller shaft gear |



Internal Components

Gearbox

121 RG5-3543-000CN Main gear assembly

Guide

- 122 RB2-1774-000CN Toner cartridge guide - Left side
- 123 RB2-1775-000CN Toner cartridge guide - Right side
- 124 RB2-1780-000CN Paper guide - Guides paper from pickup roller to feed roller
- 125 RG5-3520-000CN Paper guide - Tray 1 paper guide plate assembly
RG5-3520-060CN New Part for RG5-3520-000CN
- 126 RG5-3525-000CN Transfer guide assembly - Guides paper into transfer roller
- 127 RG5-3548-000CN Transfer guide assembly - Guides paper into transfer roller
RG5-3548-060CN New Part for RG5-3548-000CN

Holder

128 RB2-1997-000CN Roller holder - Face down guide roller holder

Hook

129 RB1-2190-000CN Pick-up roller spring hook

Laser/Scanner

130 C4110-69016 Laser/scanner assembly
REQUIRES RETURN OF DEFECTIVE PART
RG5-4811-000CN New Part for C4110-69016

Lever

131 RB2-1738-000CN Shutter lever - Connects to laser shutter
RF5-2421-000CN New Part for RB2-1738-000CN

PC Board

C3974-69001 Formatter board assembly
REQUIRES RETURN OF DEFECTIVE PART
C3974-67901 New Part for C3974-69001

Pad

132 RF5-2399-000CN Paper separation pad and arm

133 RF5-3439-000CN Tray 1 separation pad without pressure spring

Plate

135 RB1-6141-000CN Grounding plate

136 RB2-1734-000CN Grounding plate

137 RB2-1735-000CN Grounding plate

138 RB2-1736-000CN Grounding plate

139 RB2-1737-000CN Grounding plate
RG5-7074-000CN New Part for RB2-1737-000CN

140 RB2-1740-000CN Fan grounding plate and fan housing

141 RB2-1990-000CN Grounding plate

Rail

142 RF5-2397-000CN Tray 2 left rail - Left side tray support

143 RF5-2398-030CN Tray 2 right rail - Right side tray support

Sensor

144 RG5-3553-000CN Rear door sensor assembly - Arm and mount assembly

Internal Components**Solenoid**

145 RH7-5195-000CN Cassete paper pickup solenoid

Spring

146 RB2-1739-000CN Door switch spring - Provides tension for toner door switch

147 RB2-1783-000CN Paper sensor lever spring

148 RB2-1784-000CN Paper sensor lever spring - Holds tension on sensor arm

149 RB2-1825-000CN Leaf spring - Tray size sensor fingers

150 RS5-2225-020CN Face down guide roller torsion spring

151 RS5-2434-000CN Tray 2 shaft gear spring - Holds tension on shaft hook

Switch

152 RB2-1732-000CN Door switch - Indicates when toner door is ajar

LaserJet Electronics**Power Cord**

8120-6802 Power cord (Flint Gray) - 2.3m (7.5ft) long - Has 90 degree (F) receptacle (For 220V in Europe, Saudi Arabia, South Africa, and India)

8120-6805 Power cord (Flint Gray) - 18 AWG, 2.3m (7.5ft) long - Has 90 degree receptacle (For 120V in the USA, Canada, Mexico, Philippines, and Taiwan)

Main Drive Assembly**Gearbox**

155 RG5-3543-000CN Main gear assembly

Main Gear Assembly**Arm**

156 RB2-1856-000CN Toner cartridge engagement arm

Motor

157 RH7-1357-000CN Main motor

Optional Interfaces**Interface (Product)**

J3110A Ethernet 10Base-T (RJ-45) EIO network internal print server PC board

J3111A Ethernet 10Base-T/10Base2 and LocalTalk (RJ-45, BNC, LocalTalk) EIO network PCA

J3112A JetDirect 600N token ring LAN interface board - DB-9 and RJ-45 connectors
NO LONGER SUPPLIED

J3113A JetDirect 600N internal print server (10Base-T and 100Base-TX) LAN interface board - Plugs into peripheral EIO slot

J4135A JetDirect connectivity card - Has one USB port, one serial (DB9) port and one LocalTalk port - Plugs in the EIO slot on selected DesignJet and LaserJet printers

J4167A JetDirect 610N token ring LAN interface board - DB-9 and RJ-45 connectors

J4169A JetDirect 610N internal print server (10Base-T and 100Base-TX) LAN interface board - Plugs into peripheral EIO slot - Has a RJ-45 connector - Comes with software on CD-ROM and manual

PC Board (Interface)

J3112-69001 JetDirect 600N EIO internal print server token ring LAN interface board - Has one RJ-45 and DB-9 connector

J4167-69001 *New Part for J3112-69001*

J3113-69001 JetDirect 600N EIO internal print server 10Base-T and 100Base-T LAN interface board - Has one RJ-45 connector

J4135-61001 JetDirect connectivity card - Has one USB port, one serial (DB9) port and one LocalTalk port

J4169-69001 JetDirect 610N internal print server 10Base-T and 100Base-T LAN interface board - Has one RJ-45 connector

J6057-69001 *New Part for J4169-69001*



Optional Paper Trays

Feed Assembly

- C4114A 250 sheet feeder and paper tray - Printer sits on top of this unit - Includes 250 sheet paper cassette
- C4115A 500 sheet feeder and paper tray - Printer sits on top of this unit - Includes 500 sheet paper cassette

Tray

- C4117-69001 500 sheet universal paper tray
- C4117A HP LaserJet 5000 500 Sheet Universal paper input tray - Holds 250 sheets of letter, legal, Executive, ledger/tabloid, A3, A4, A5, B, B4, or B5 size paper
- RG5-7164-050CN *New Part for C4117A*

Other Accessories

CD-ROM (Support)

- C4110-60117 Worldwide multi-lingual user manual - On CD-ROM

Cartridge

- 5184-5224 Black toner cartridge - With 'Ultra-Precise' toner - Has maximum capacity toner (Prints approximately 10,000 pages)
- 174 C4129X Black toner cartridge - With 'Ultra-Precise' toner - Has maximum capacity toner (Prints approximately 10, 000 pages)

Cleaning Supplies

- 5090-3379 Toner cleaning cloth - Specially treated cloth for absorbing toner (1 per package) - Ideal for clening up toner spills

Manual

- C4110-90035 Installation guide - Instruction sheet for installing the user guide CD-ROM on a computer
- C4110-91041 LaserJet 5000 series service manual

Manual Kit

- C4110-60113 User manual bundle - Includes user manual, 'Getting Started' guide, and pocket quick reference guide (French)
- C4110-60117 *New Part for C4110-60113*
- C4110-99003 User manual bundle - Includes user manual, 'Getting Started' guide, and pocket quick reference guide (Italian)
NO LONGER SUPPLIED
- C4110-60117 *New Part for C4110-99003*
- C4110-99004 User manual bundle - Includes user manual, 'Getting Started' guide, and pocket quick reference guide (German)
NO LONGER SUPPLIED
- C4110-60117 *New Part for C4110-99004*
- C4110-99005 User manual bundle - Includes user manual, 'Getting Started' guide, and pocket quick reference guide (Spanish)
NO LONGER SUPPLIED
- C4110-60117 *New Part for C4110-99005*
- C4110-99006 User manual bundle - Includes user manual, 'Getting Started' guide, and pocket quick reference guide (Dutch)
NO LONGER SUPPLIED
- C4110-60117 *New Part for C4110-99006*
- C4110-99007 User manual bundle - Includes user manual, 'Getting Started' guide, and pocket quick reference guide (Denmark)
NO LONGER SUPPLIED
- C4110-60117 *New Part for C4110-99007*
- C4110-99008 User manual bundle - Includes user manual, 'Getting Started' guide, and pocket quick reference guide (Finland)
NO LONGER SUPPLIED
- C4110-60117 *New Part for C4110-99008*
- C4110-99009 User manual bundle - Includes user manual, 'Getting Started' guide, and pocket quick reference guide (Norway)
NO LONGER SUPPLIED
- C4110-60117 *New Part for C4110-99009*
- C4110-99010 User manual bundle - Includes user manual, 'Getting Started' guide, and pocket quick reference guide (Swedish)
NO LONGER SUPPLIED
- C4110-60117 *New Part for C4110-99010*
- C4110-99011 User manual bundle - Includes user manual, 'Getting Started' guide, and pocket quick reference guide (Portuguese)
NO LONGER SUPPLIED



Other Accessories

Manual Kit

| | |
|-------------|--|
| C4110-99012 | User manual bundle - Includes user manual, 'Getting Started' guide, and pocket quick reference guide (Polish) NO LONGER SUPPLIED |
| C4110-60117 | <i>New Part for C4110-99012</i> |
| C4110-99014 | User manual bundle - Includes user manual, 'Getting Started' guide, and pocket quick reference guide (Turkish) NO LONGER SUPPLIED |
| C4110-60117 | <i>New Part for C4110-99014</i> |
| C4110-99015 | User manual bundle - Includes user manual, 'Getting Started' guide, and pocket quick reference guide (Traditional Chinese) NO LONGER SUPPLIED |
| C4110-60117 | <i>New Part for C4110-99015</i> |
| C4110-99016 | User manual bundle - Includes user manual, 'Getting Started' guide, and pocket quick reference guide (Korean) NO LONGER SUPPLIED |
| C4110-60117 | <i>New Part for C4110-99016</i> |
| C4110-99017 | User manual bundle - Includes user manual, 'Getting Started' guide, and pocket quick reference guide (Japanese) NO LONGER SUPPLIED |
| C4110-60117 | <i>New Part for C4110-99017</i> |
| C4110-99018 | User manual bundle - Includes user manual, 'Getting Started' guide, and pocket quick reference guide (Russia) NO LONGER SUPPLIED |
| C4110-60117 | <i>New Part for C4110-99018</i> |
| C4110-99019 | User manual bundle - Includes user manual, 'Getting Started' guide, and pocket quick reference guide (Hungarian) NO LONGER SUPPLIED |
| C4110-60117 | <i>New Part for C4110-99019</i> |
| C4110-99020 | User manual bundle - Includes user manual, 'Getting Started' guide, and pocket quick reference guide (Czechoslovakian) NO LONGER SUPPLIED |
| C4110-60117 | <i>New Part for C4110-99020</i> |
| C4110-99021 | User manual bundle - Includes user manual, 'Getting Started' guide, and pocket quick reference guide (Simplified Chinese) NO LONGER SUPPLIED |
| C4110-60117 | <i>New Part for C4110-99021</i> |
| C4110-99022 | User manual bundle - Includes user manual, 'Getting Started' guide, and pocket quick reference guide (Taiwan) NO LONGER SUPPLIED |
| C4110-60117 | <i>New Part for C4110-99022</i> |
| C4110-99023 | User manual bundle - Includes user manual, 'Getting Started' guide, and pocket quick reference guide (Arabic) NO LONGER SUPPLIED |
| C4110-60117 | <i>New Part for C4110-99023</i> |
| C4110-99024 | User manual bundle - Includes user manual, 'Getting Started' guide, and pocket quick reference guide (Greek) NO LONGER SUPPLIED |
| C4110-99025 | User manual bundle - Includes user manual, 'Getting Started' guide, and pocket quick reference guide (Hebrew) NO LONGER SUPPLIED |
| C4110-60117 | <i>New Part for C4110-99025</i> |
| C4110-99028 | Manual bundle - Includes 'Getting Started' guide and pocket quick reference guide (English) |

Software

| | |
|-------------|---|
| C6072-60301 | HP-GL/2 driver software for AutoCAD - For DOS and Windows 3.1/95/NT 4.0 - On 3.5-inch 1.44MB floppy disks (English) |
| C6072-60304 | HP-GL/2 driver software for AutoCAD - For DOS and Windows 3.1/95/NT 4.0 - On 3.5-inch 1.44MB floppy disks (German) |
| C6072-60305 | HP-GL/2 driver software for AutoCAD - For DOS and Windows 3.1/95/NT 4.0 - On 3.5-inch 1.44MB floppy disks (French) |
| C6072-60306 | HP-GL/2 driver software for AutoCAD - For DOS and Windows 3.1/95/NT 4.0 - On 3.5-inch 1.44MB floppy disks (Spanish) |



Other Accessories

Software

C6072-60307 HP-GL/2 driver software for AutoCAD - For DOS and Windows 3.1/95/NT 4.0 - On 3.5-inch 1.44MB floppy disks (Italian)

PCA Assembly Locations

PC Board

245 C4110-69001 DC controller board with ribbon cable
REQUIRES RETURN OF DEFECTIVE PART

C4110-67906 *New Part for C4110-69001*

246 RG5-3560-000CN Paper handling PCA

Power Supply

247 C4214-69022 Power supply assembly - 100-120VAC

RH3-2224-000CN *New Part for C4214-69022*

248 C4214-69023 Power supply assembly - 220-240VAC

RH3-2225-000CN *New Part for C4214-69023*

Paper Feed Assembly

Cable

208 RG5-3523-000CN Paper feed photo sensor cable

Lever

209 RB2-1807-000CN Sensor flag lever - Paper feed sensor arm

Sensor

210 WG8-5362-000CN Optical sensor

Spring

211 RB2-1808-000CN Lever spring - Provides tension for paper sensor flag

Paper Feed Belt Assembly

Belt

212 RB2-1887-000CN Large feed belt - Wide belt in middle of assembly

213 RB2-1888-000CN Small paper feed belt - One on each side of wide belt

214 RG5-3526-020CN Paper feed belt assembly

Bushing

215 RB2-1903-000CN Right side transfer roller bushing

216 RB2-1904-000CN Left side transfer roller bushing

Cover

217 RB2-1905-000CN Transfer roller bushing cover - Right side

Gear

218 RS6-0351-000CN Paper feed gear

219 RS6-0352-000CN Paper feed gear

Pulley

220 RB1-6195-000CN Paper feed pulley - Idler pulley for small belts

Shaft

221 RB1-6192-000CN Paper feed shaft (Idler shaft) driven by wide belt

222 RB2-1886-000CN Paper feed shaft - Drives all three belts

Spring

223 RS5-2431-000CN Transfer roller spring - Provides tension for roller bushing

Paper Input Parts**Roller**

224 RB2-1985-000CN Lower output delivery roller - Shaft with four rollers

Paper Path Parts**Belt**

225 RG5-3526-020CN Paper feed belt assembly

Kit

C4110-67923 Maintenance kit (120V) - Includes fuser assembly, separation rollers, transfer roller, feed rollers, pickup roller, and instruction guide

C4110-67924 Maintenance kit (240V) - Includes fusing assembly, separation pad, transfer roller and instruction manual

C4110-69027 Maintenance kit (120V) - Includes fuser assembly, separation rollers, transfer roller, feed rollers, pickup roller, and instruction guide
REQUIRES RETURN OF DEFECTIVE PART

C4110-67923 New Part for C4110-69027

C4110-69028 Maintenance kit (240V) - Includes fusing assembly, separation pad, transfer roller and instruction manual
REQUIRES RETURN OF DEFECTIVE PART

C4110-67924 New Part for C4110-69028

Roller

230 RB1-6251-000CN Lower delivery roller - Pushes against the lower delivery roller shaft assembly

231 RB2-1820-020CN Pickup roller - Tray 1 pickup roller

232 RB2-1998-000CN Roller - Upper roller of face-down roller guide - 4 used

233 RG5-3519-000CN Pickup roller assembly - Shaft/roller assembly that feeds paper from paper input assemblies - Also order separation pad kit

RG5-3519-020CN New Part for RG5-3519-000CN

234 RG5-3522-030CN Paper feed roller assembly

235 RG5-3524-110CN Registration roller assembly

236 RG5-3542-070CN Upper delivery roller assembly - Paper output

RG5-3542-090CN New Part for RG5-3542-070CN

237 RG5-3579-000CN Transfer roller assembly

238 RG9-1337-000CN Face down guide roller

Roller Assembly

239 RG5-5453-090CN Fusing roller assembly - Fusing roller/heating element assembly - 110 volt

Roller Kit

C4110-67910 Transfer roller kit - Transfer roller with tools and repair instruction guide

C4110-67911 500 sheet tray kit - Pickup roller and feed roller for 500 sheet input tray - Includes tools and instructions

C4110-67912 Pickup roller kit - Pickup roller with tools and repair instruction guide

C4110-67913 250 sheet tray kit - Pickup roller and separation pad for 250 sheet input tray - Includes tools and instructions

Solenoid

244 RH7-5194-000CN Tray 1 paper pickup solenoid

Pickup Drive Assembly**Drive Assembly**

249 RG5-3544-000CN Paper pickup drive assembly

Power Supplies and Parts**Power Supply**

250 C4110-67917 Power supply assembly with ribbon cable - 100-120VAC input

251 C4110-67918 Power supply assembly with ribbon cable - 220/240VAC input

Top Cover Assembly
Brush

252 RB2-1906-000CN Cleaning brush

Control Panel

253 RG5-5438-030CN Control panel - Does not include overlay

Cover

254 RB2-1748-000CN Top cover

255 RB2-1758-000CN Display cover - Control panel display cover

Door

256 RG5-3556-000CN Toner cartridge access door assembly

Overlay

257 C4110-40004 LaserJet 5100 control panel overlay (English)

Spring

258 RB2-1759-000CN Control panel leaf spring

Tray 2 Assembly Parts
Bushing

259 RB1-6149-000CN Left pickup roller bushing

260 RB2-1804-000CN Right pickup roller bushing

Cam

261 RB2-1802-000CN Roller cam - Left side pickup roller cam

262 RB2-1805-000CN Roller cam - Right side pickup roller cam

Collar

263 RB2-1803-000CN Right pickup roller collar - Houses shaft bushing

264 RB2-1815-000CN Left pickup roller collar - Houses shaft bushing

Roller

265 RB2-1821-020CN Paper pickup roller assembly (D-shaped) - Rubber roller on a plastic frame - Locks on to the paper pickup shaft in the 250-sheet paper feeder assembly base unit

266 RG5-3521-000CN Tray 2 paper pickup roller assembly

Shaft

267 RB2-1800-000CN Pickup roller shaft - Tray 2

Upper Delivery Assembly
Brush

268 RB2-1981-000CN Static brush - Dissipates static charge from paper output
NO LONGER SUPPLIED

RG5-3542-090CN New Part for RB2-1981-000CN

Bushing

269 RB2-1986-000CN Right side bushing - Delivery roller shaft support
NO LONGER SUPPLIED

RG5-3542-090CN New Part for RB2-1986-000CN

270 RB2-1987-000CN Left side bushing - Delivery roller shaft support
NO LONGER SUPPLIED

RG5-3542-090CN New Part for RB2-1987-000CN

Gear

271 RS6-0357-000CN Delivery roller shaft gear



Upper Delivery Assembly

Guide

- 272 RF5-2415-000CN Delivery guide - Guides paper coming out of delivery roller
NO LONGER SUPPLIED
- RG5-3542-090CN *New Part for RF5-2415-000CN*

Lever

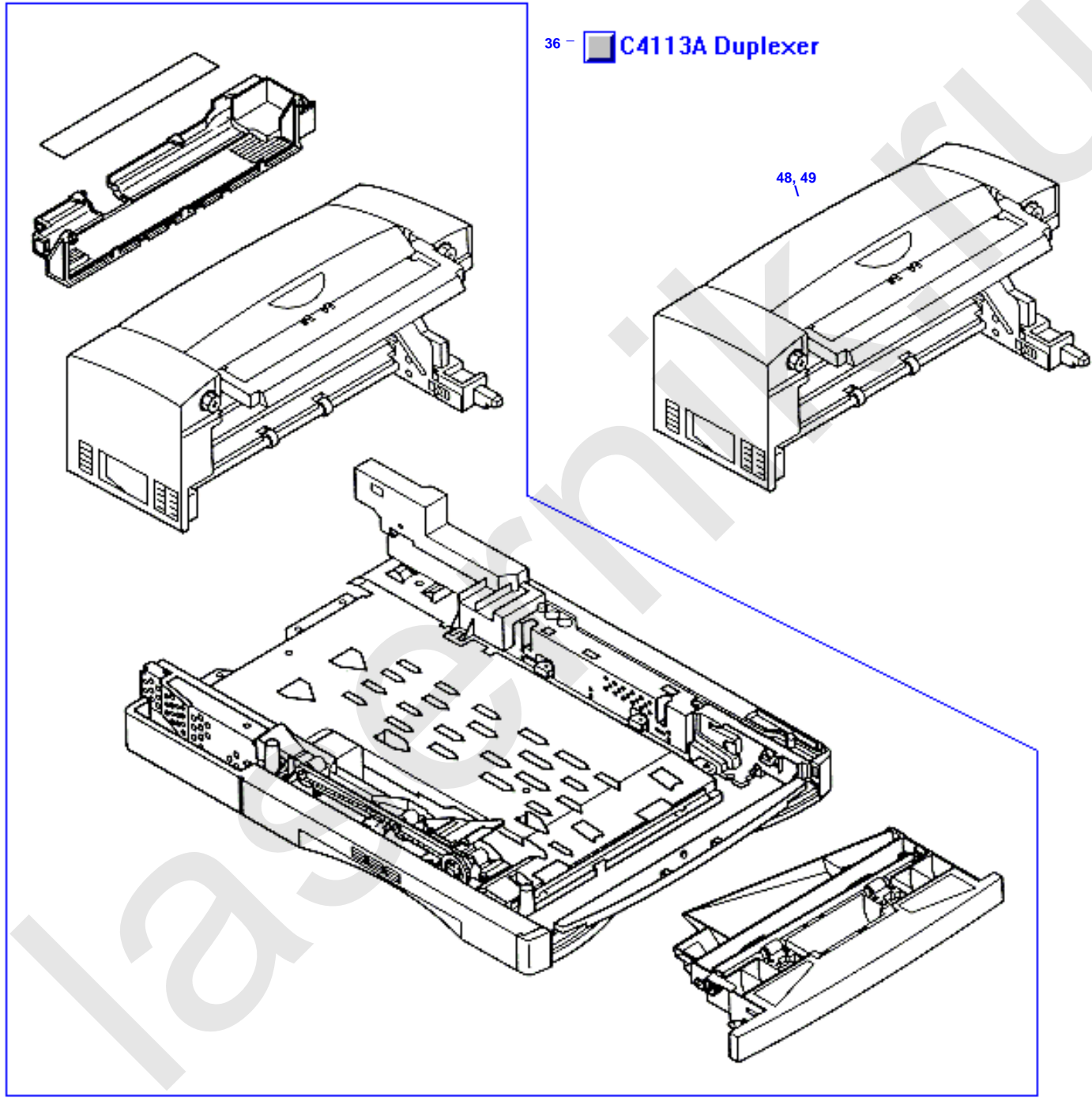
- 273 RB2-1980-000CN Bin full lever - Face down output tray sensor lever

Roller

- 274 RB2-1984-000CN Delivery roller - Paper output shaft with four rollers
NO LONGER SUPPLIED
- RG5-3542-090CN *New Part for RB2-1984-000CN*
- 275 RG5-3542-070CN Upper delivery roller assembly - Paper output
- RG5-3542-090CN *New Part for RG5-3542-070CN*

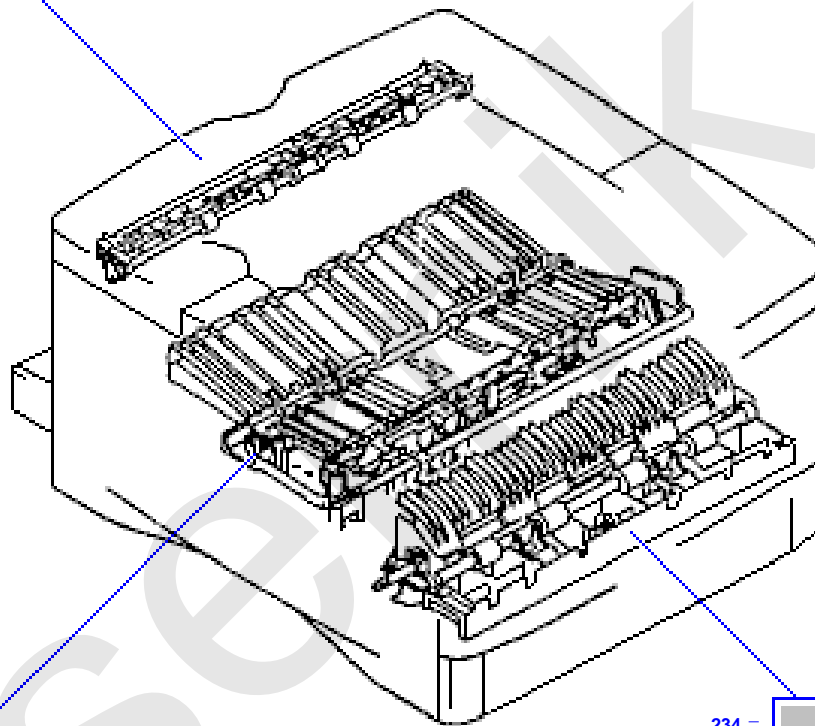
laser.nik.ru

Duplexer



Main Assembly Locator (1 of 3)

236, 275 -  **Upper Delivery Roller Assembly**

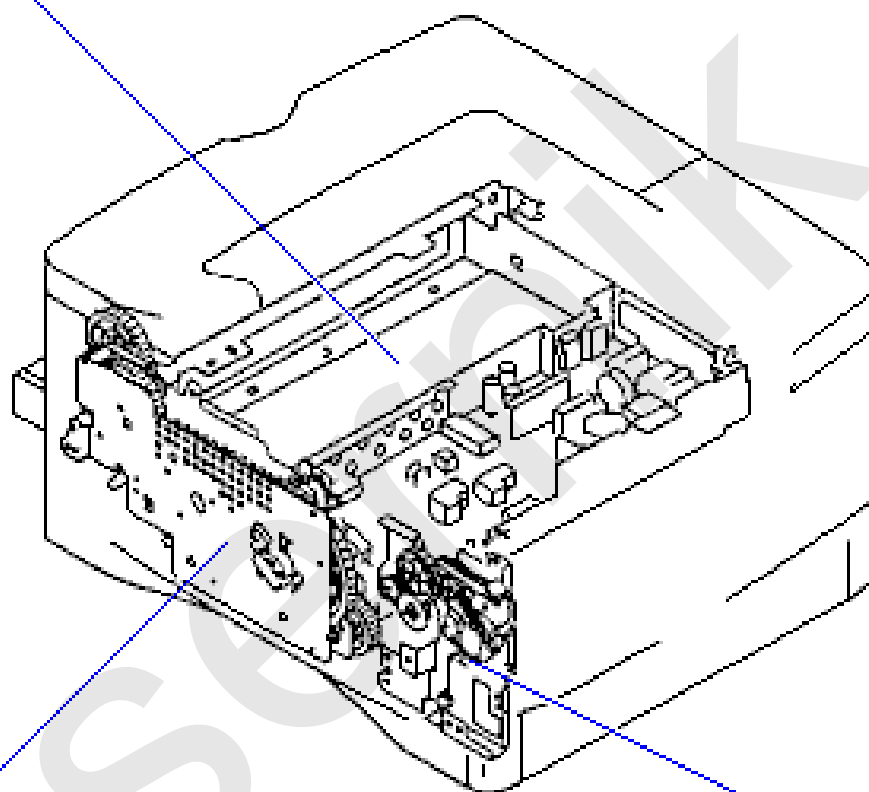


234 -  **Paper Feed Roller Assembly**

214, 225 -  **Paper Feed Belt Assembly**

Main Assembly Locator (2 of 3)

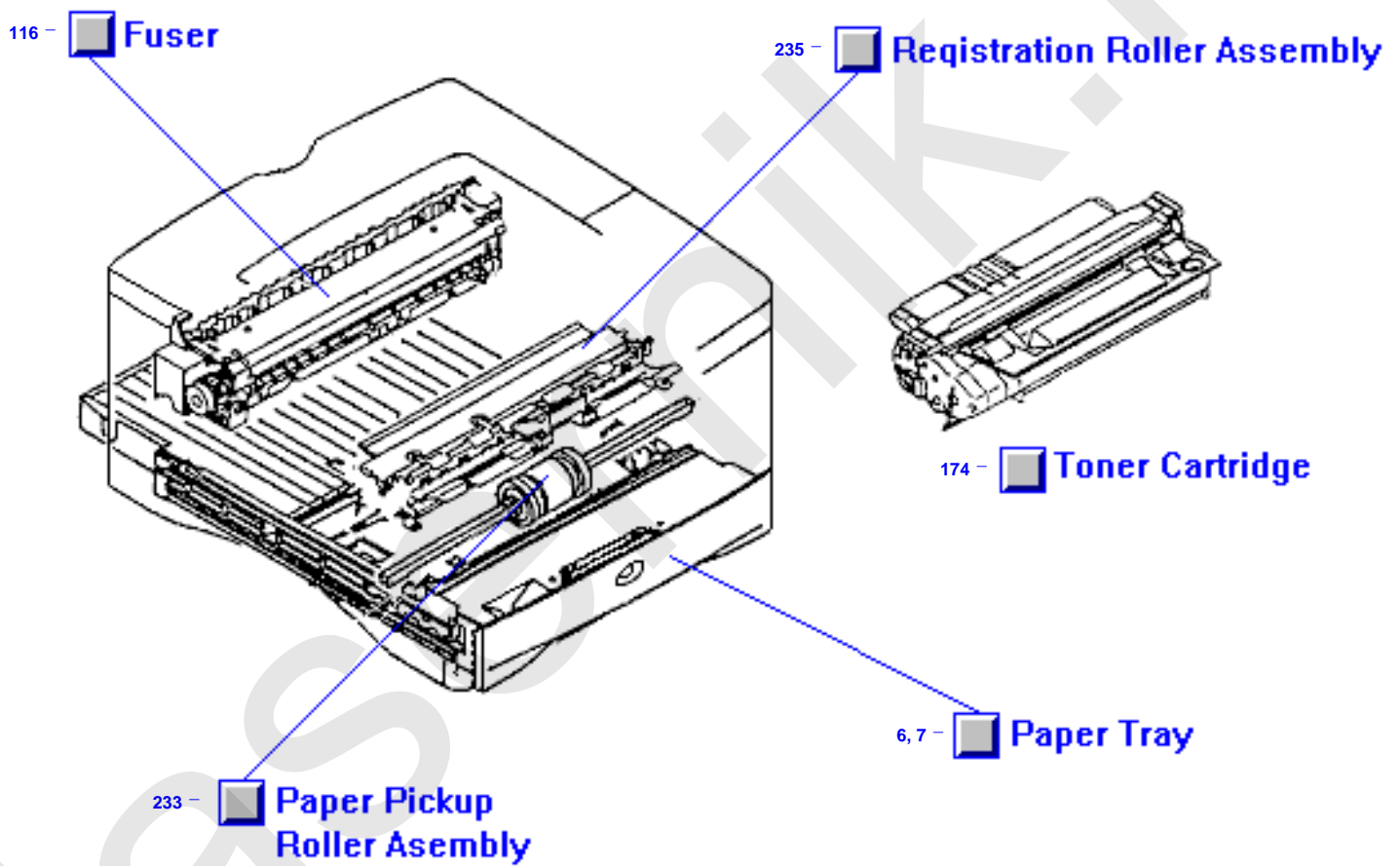
245 -  **DC Controller Assembly**



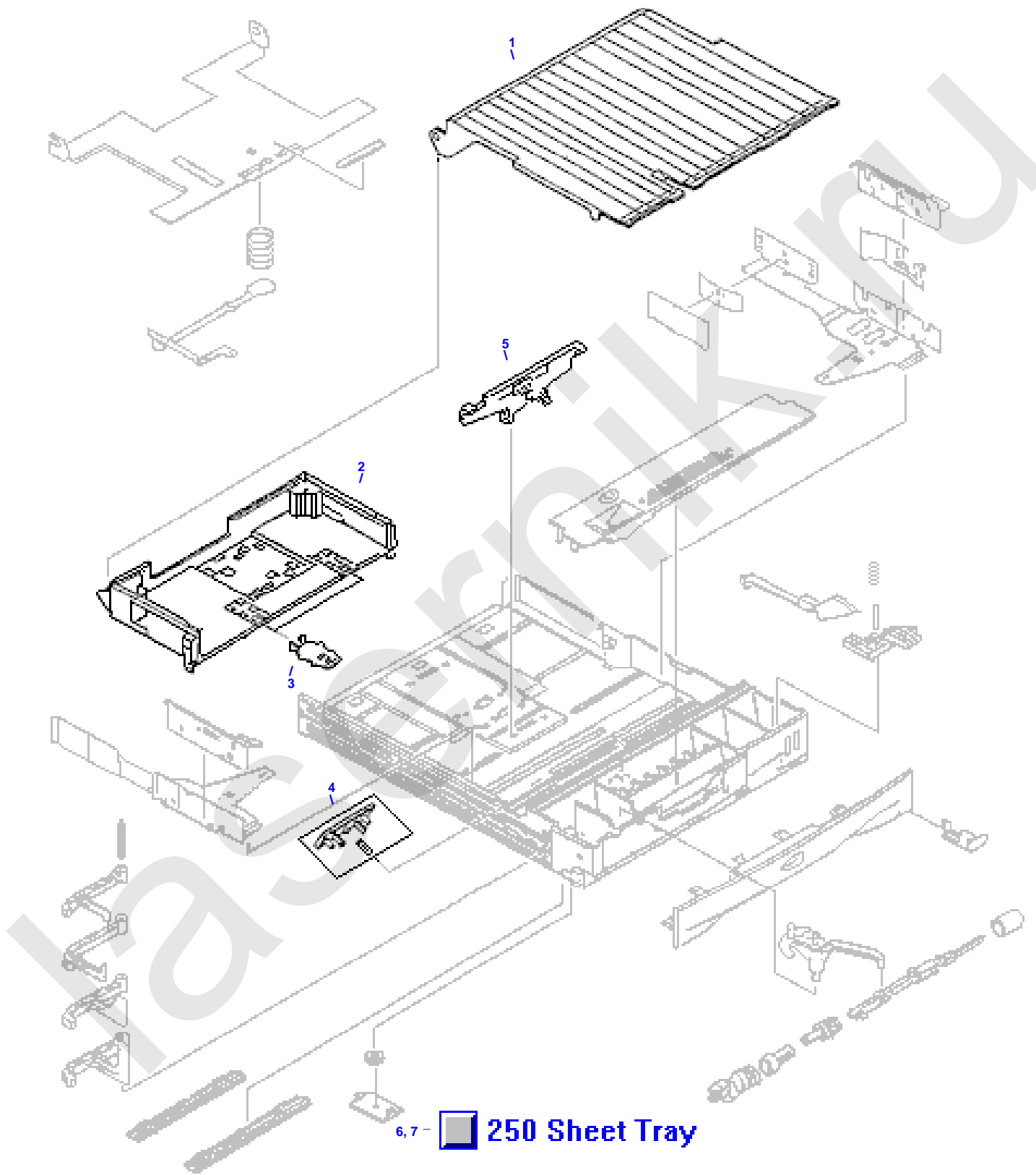
249 -  **Pickup Drive Assembly**

121, 155 -  **Printer Drive Assembly**

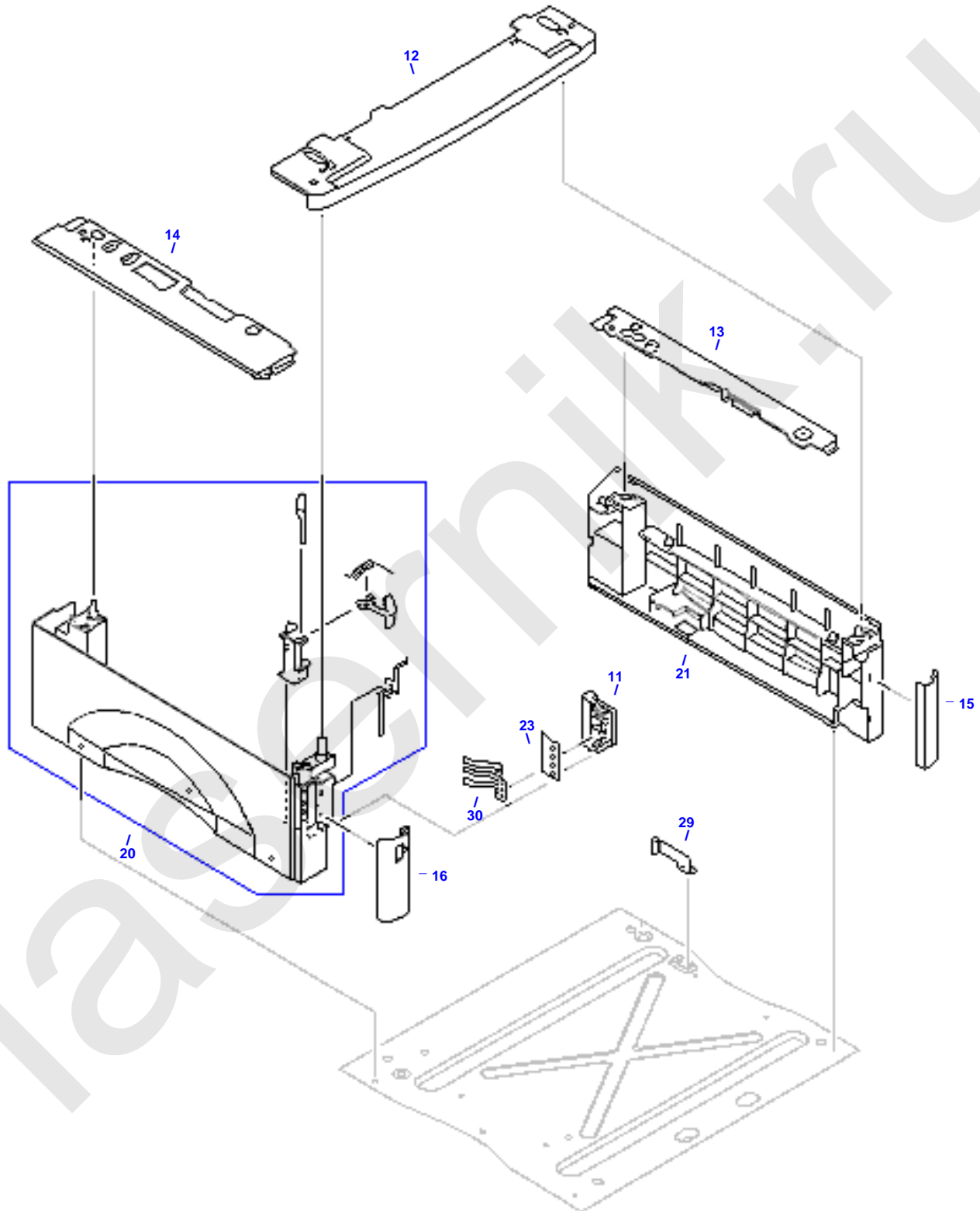
Main Assembly Locator (3 of 3)



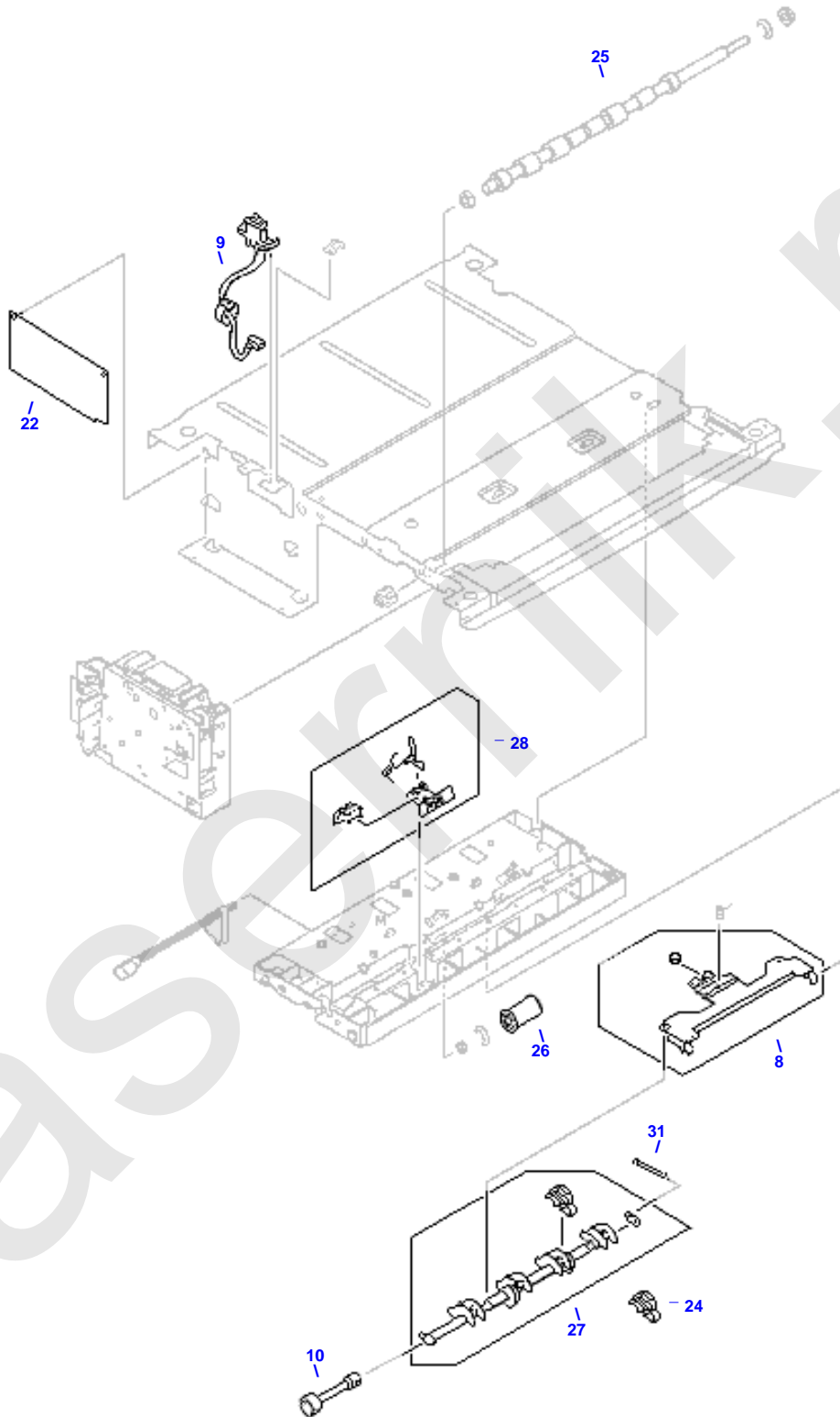
250 Sheet Tray



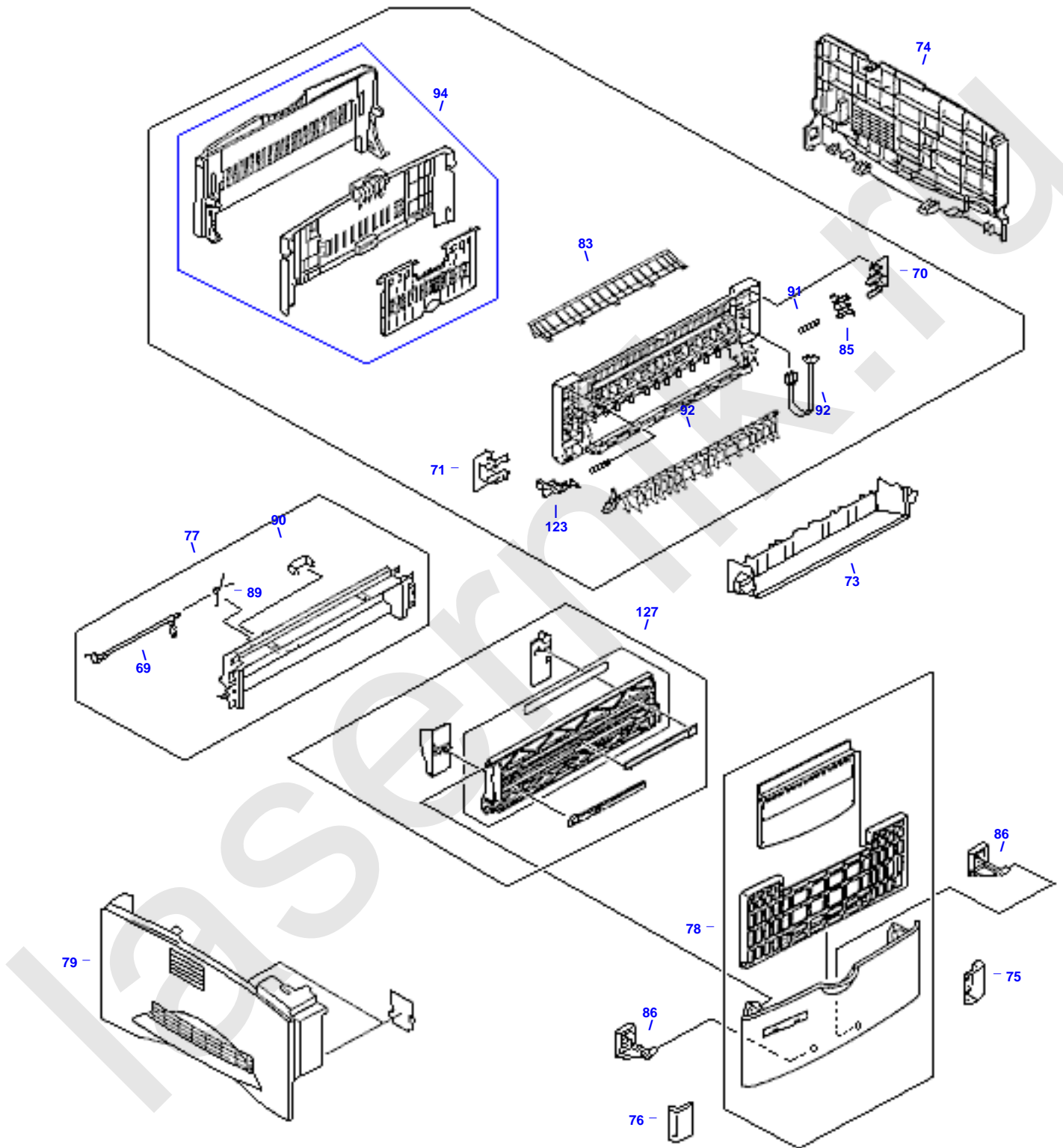
500 Sheet Feeder (1 of 2)



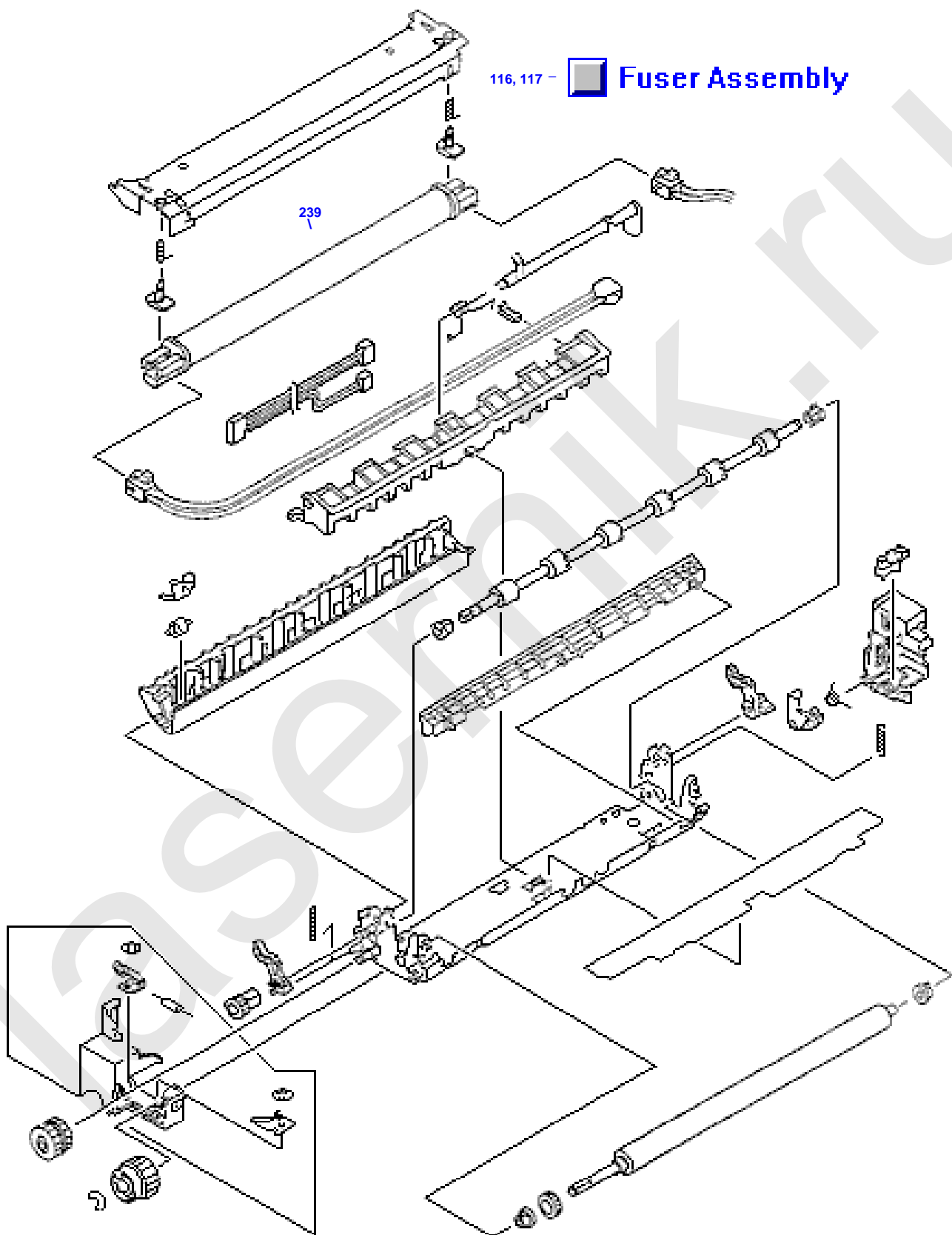
500 Sheet Feeder (2 of 2)



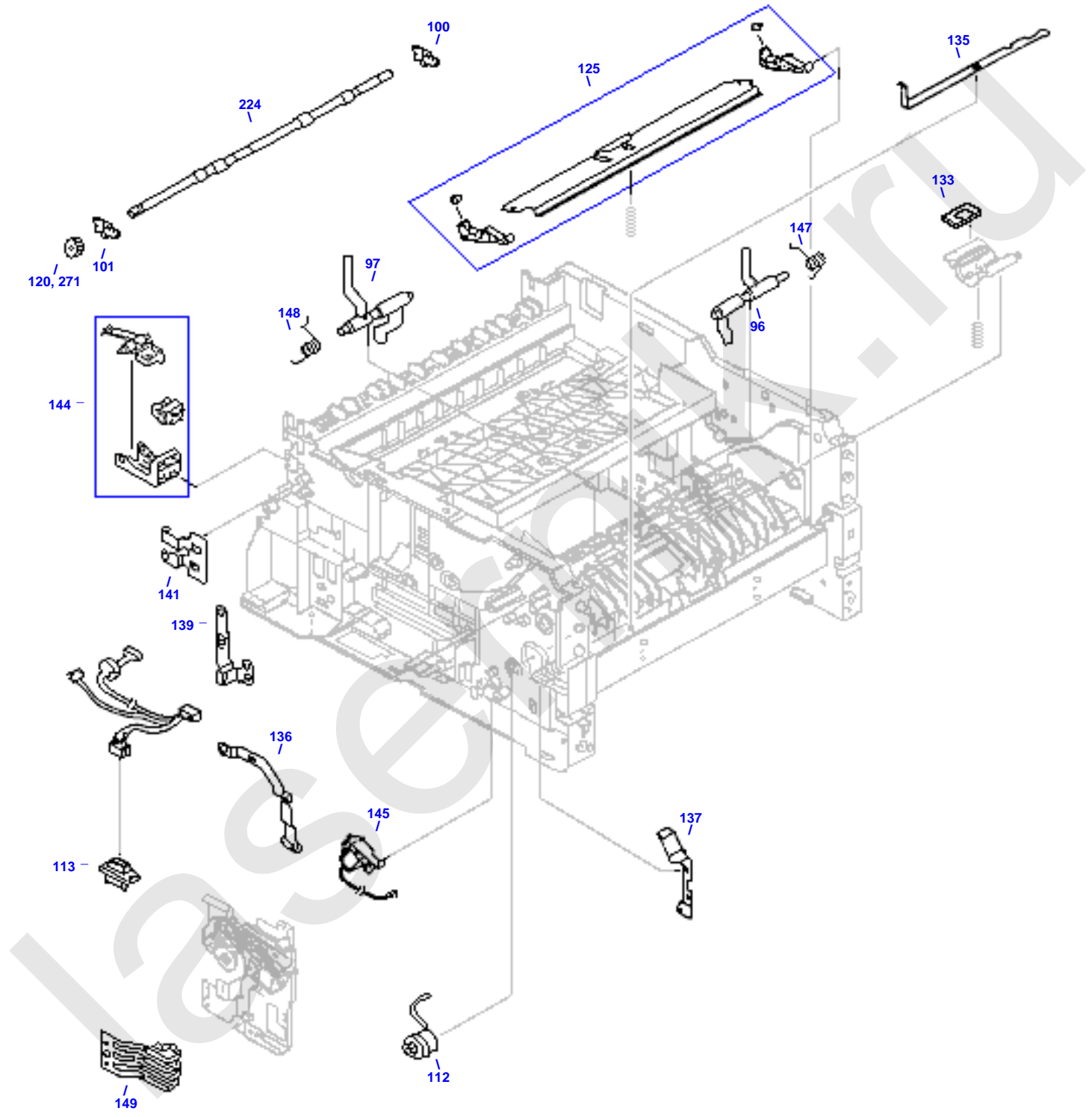
External Covers and Panels



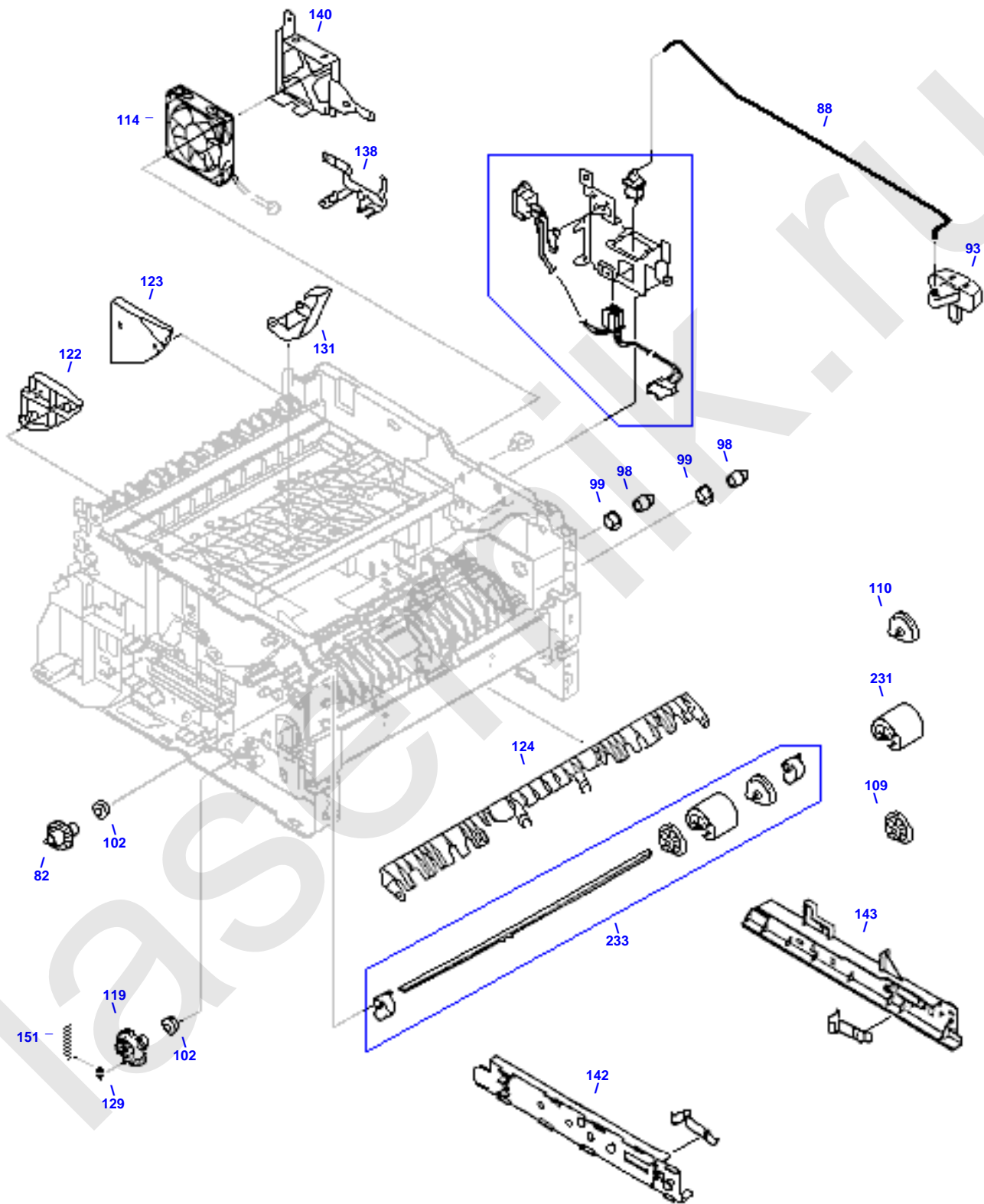
Fuser Assembly



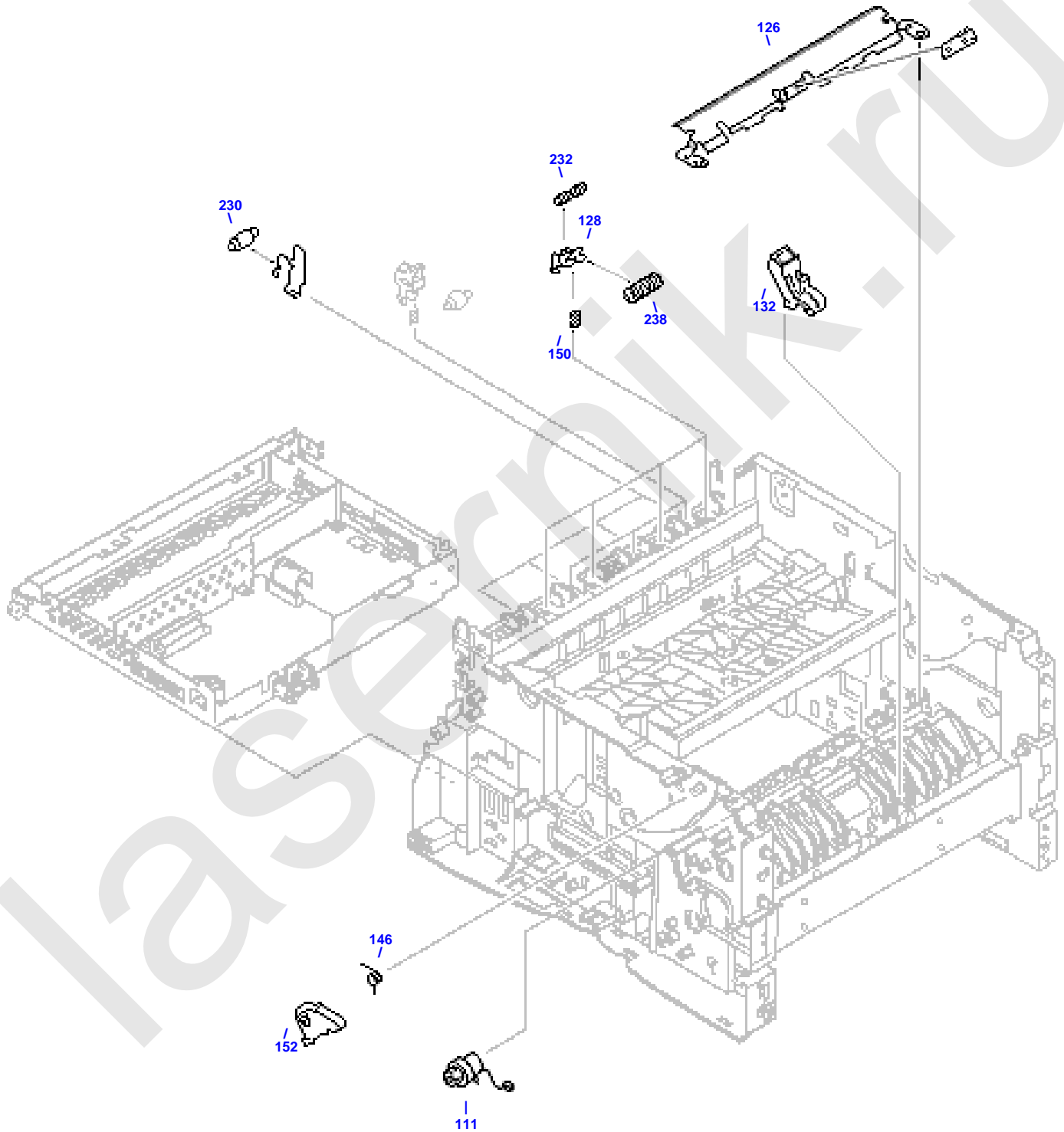
Internal Components (1 of 4)



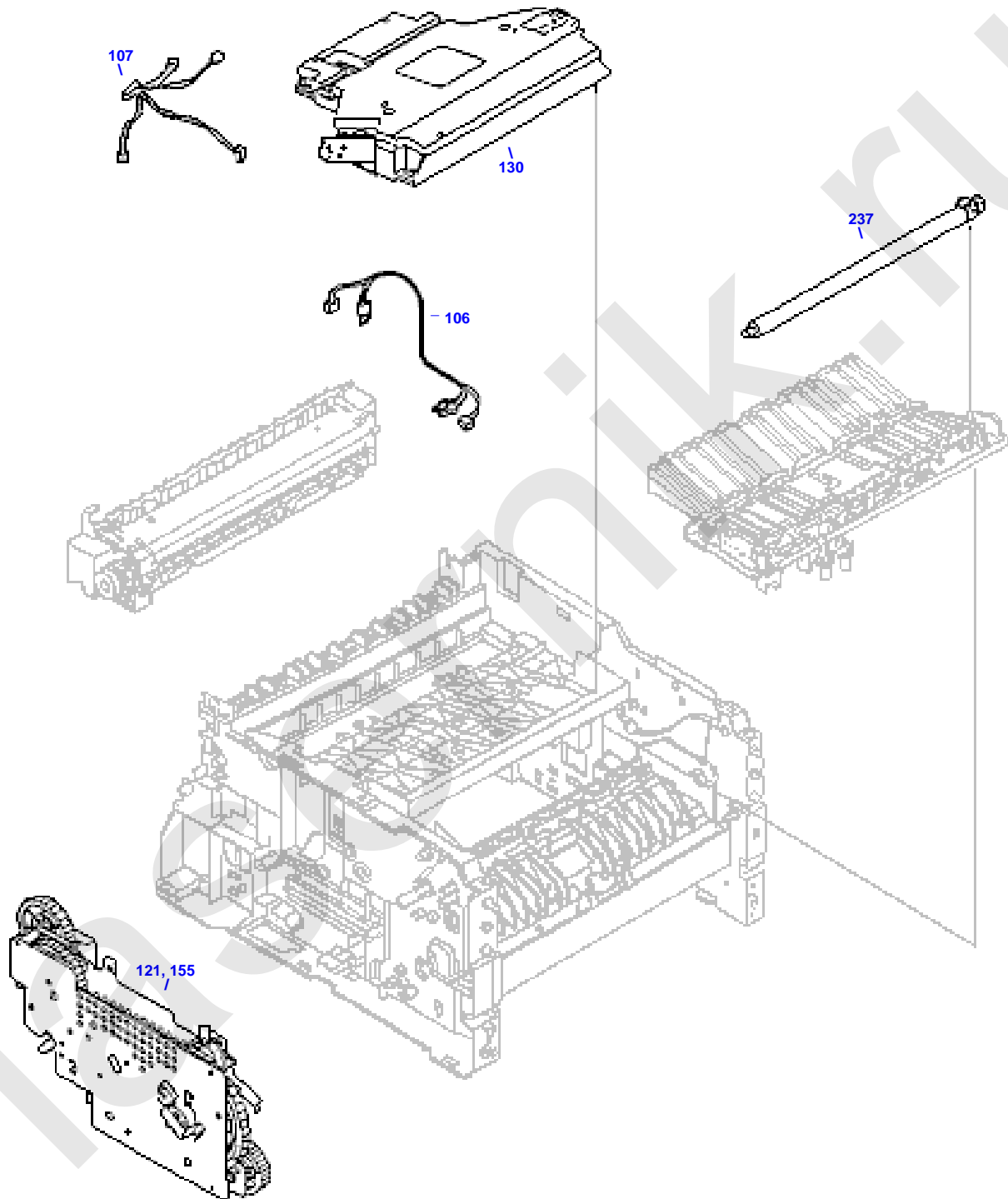
Internal Components (2 of 4)



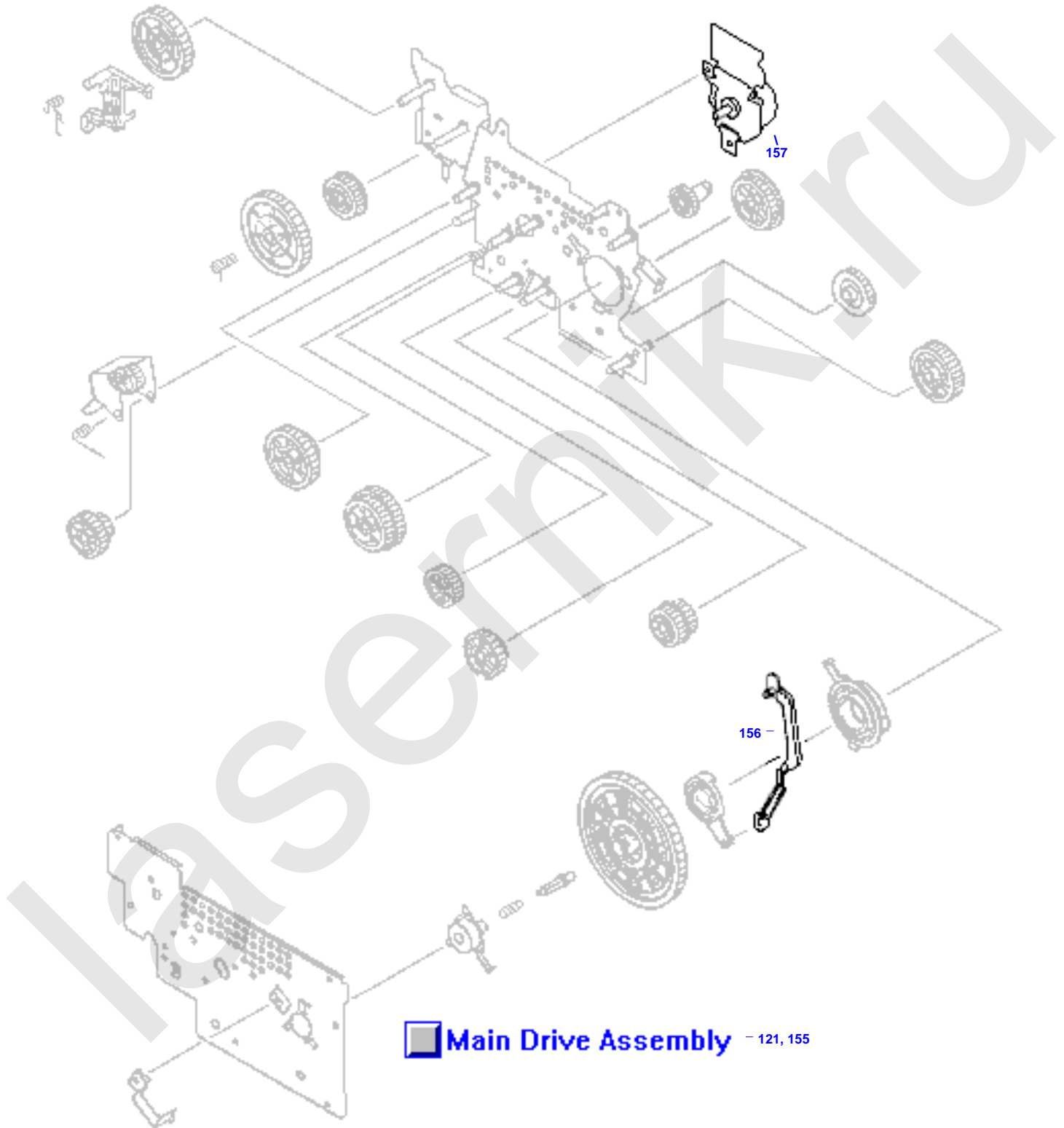
Internal Components (3 of 4)



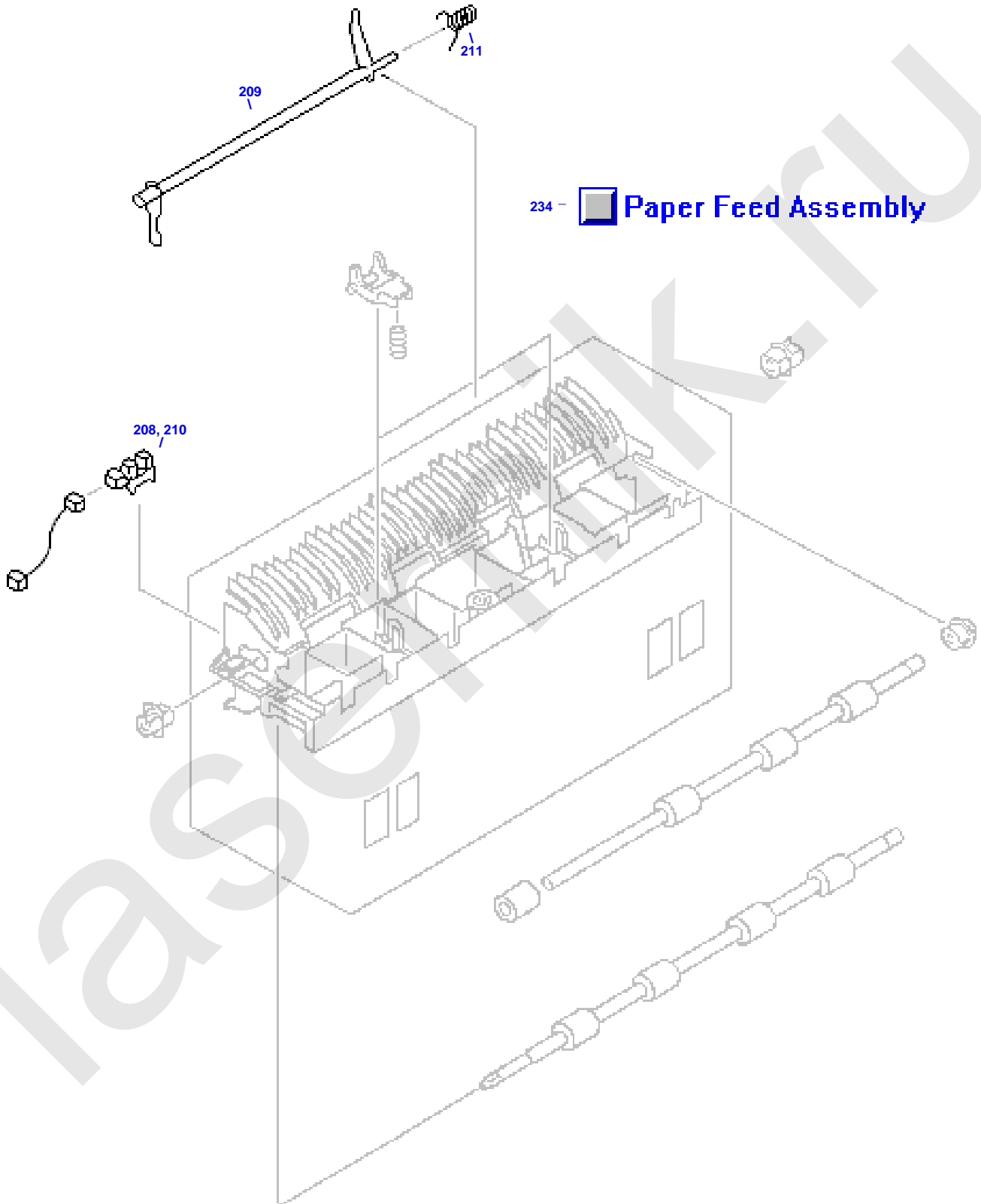
Internal Components (4 of 4)



Main Drive Assembly

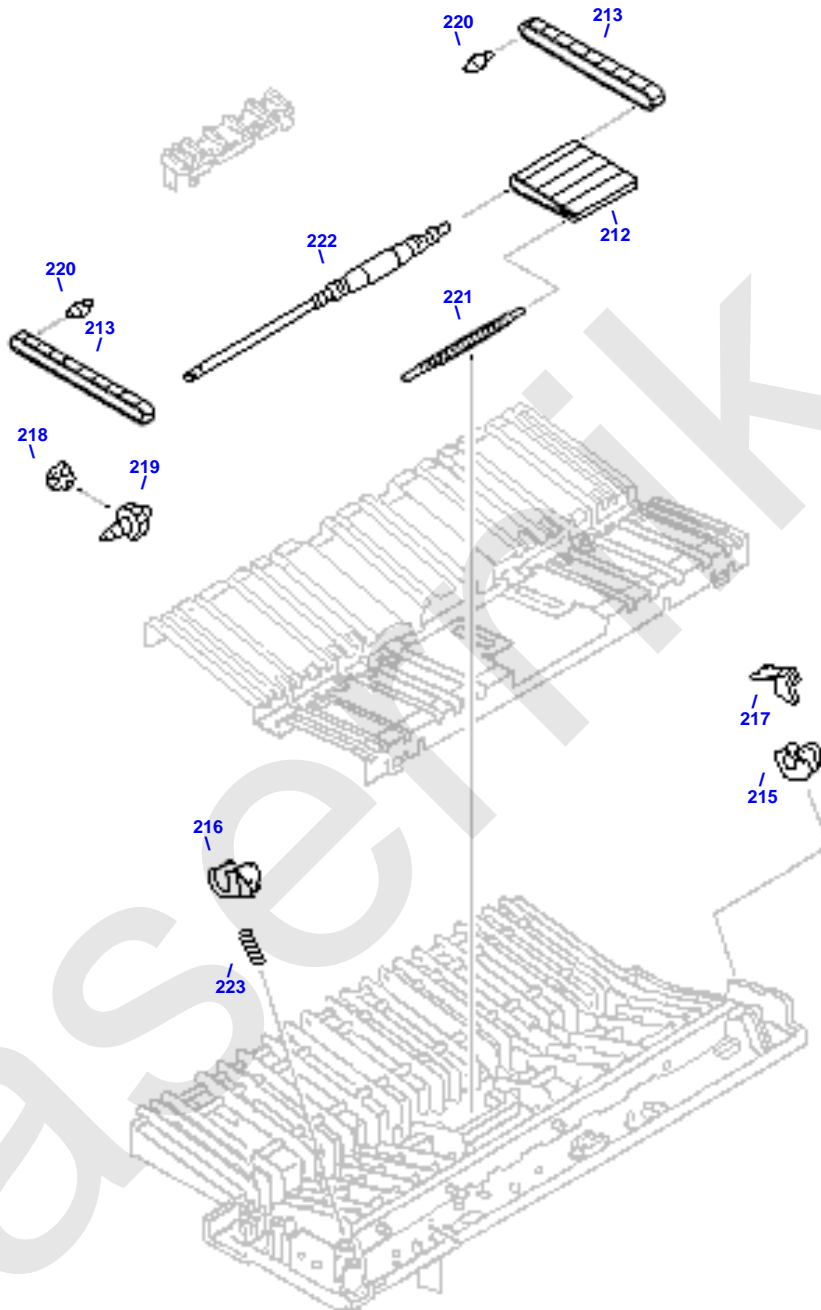


Paper Feed Assembly

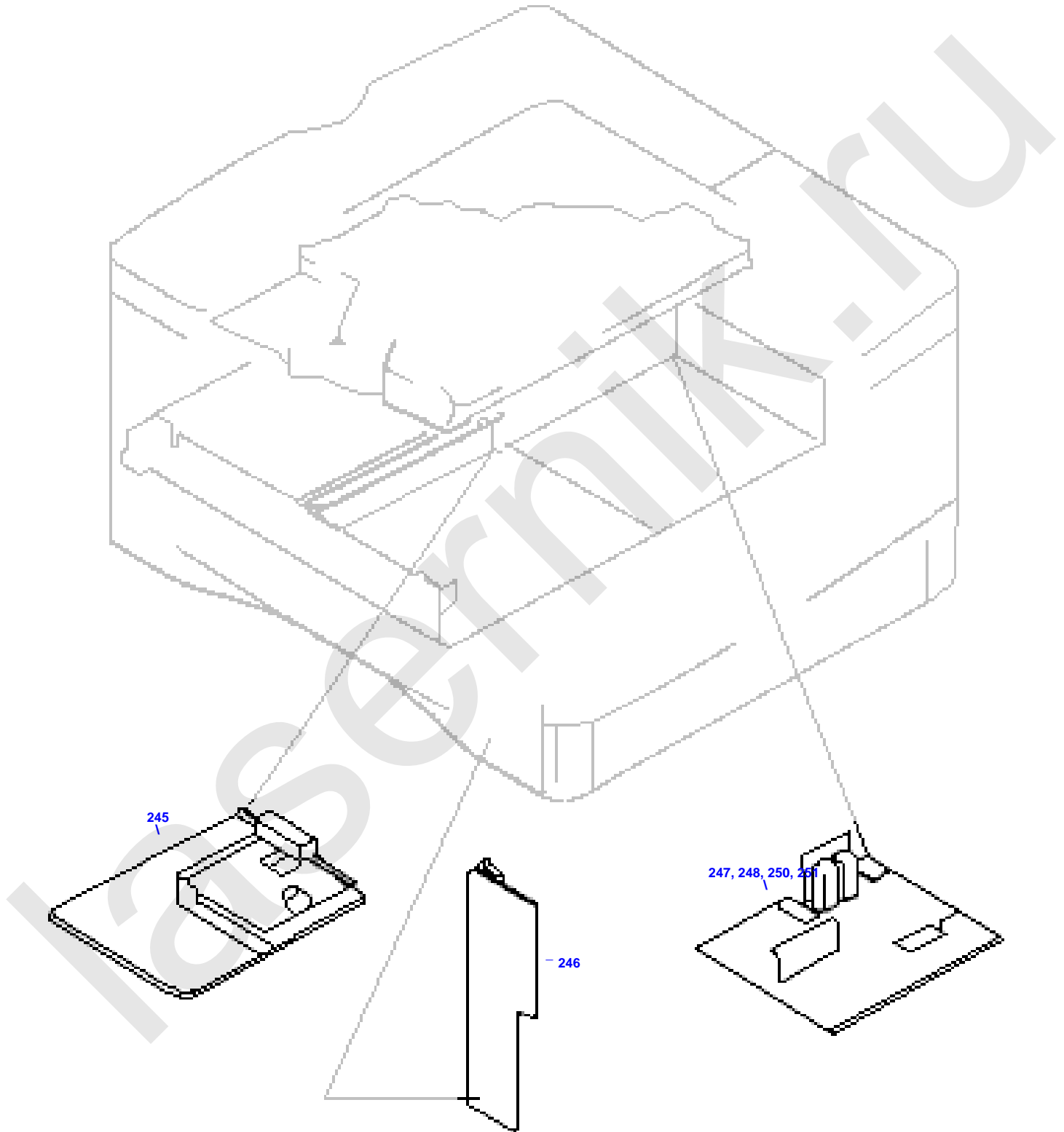


Paper Feed Belt Assembly

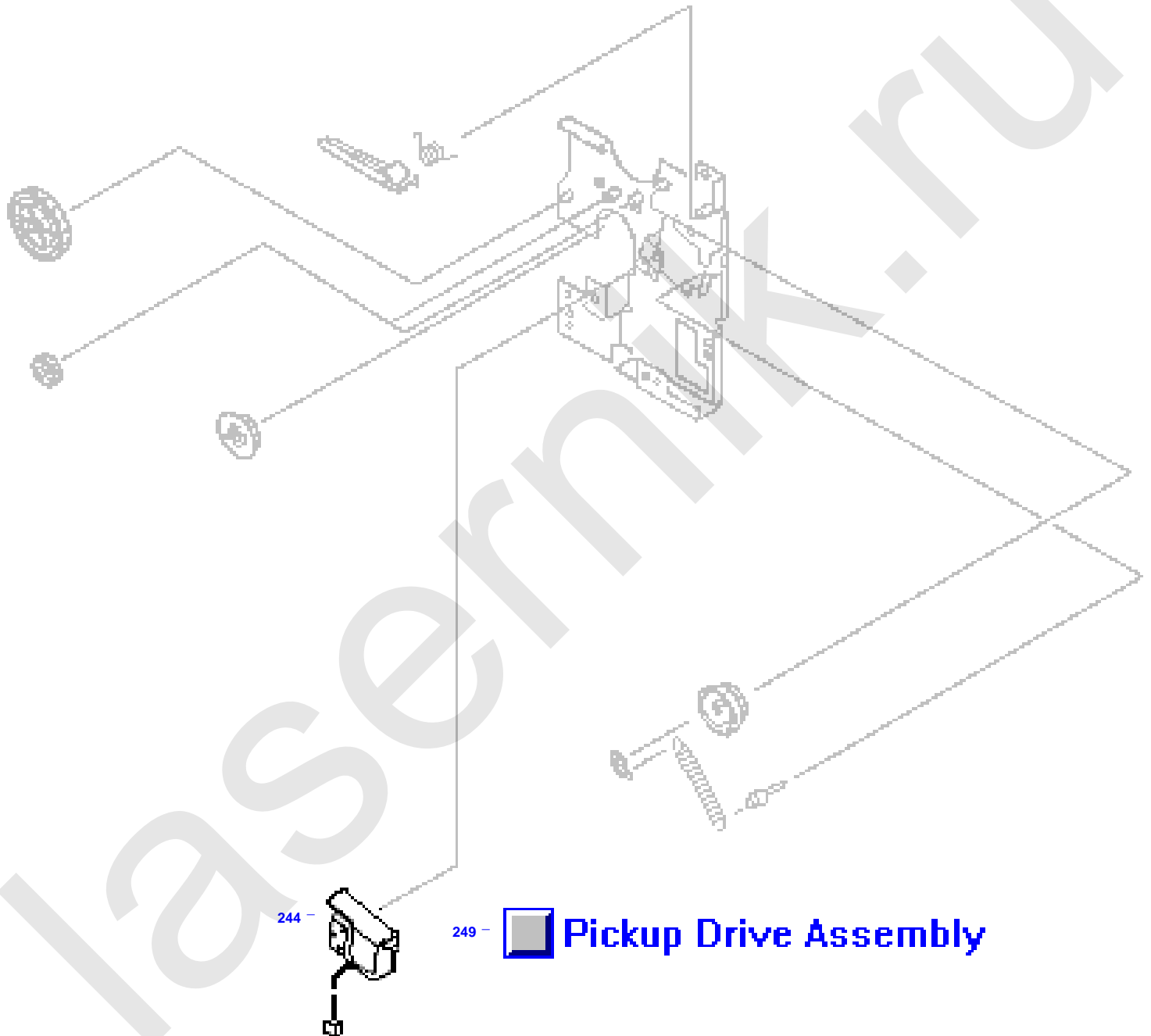
214, 225 -  Paper Feed Belt Assembly



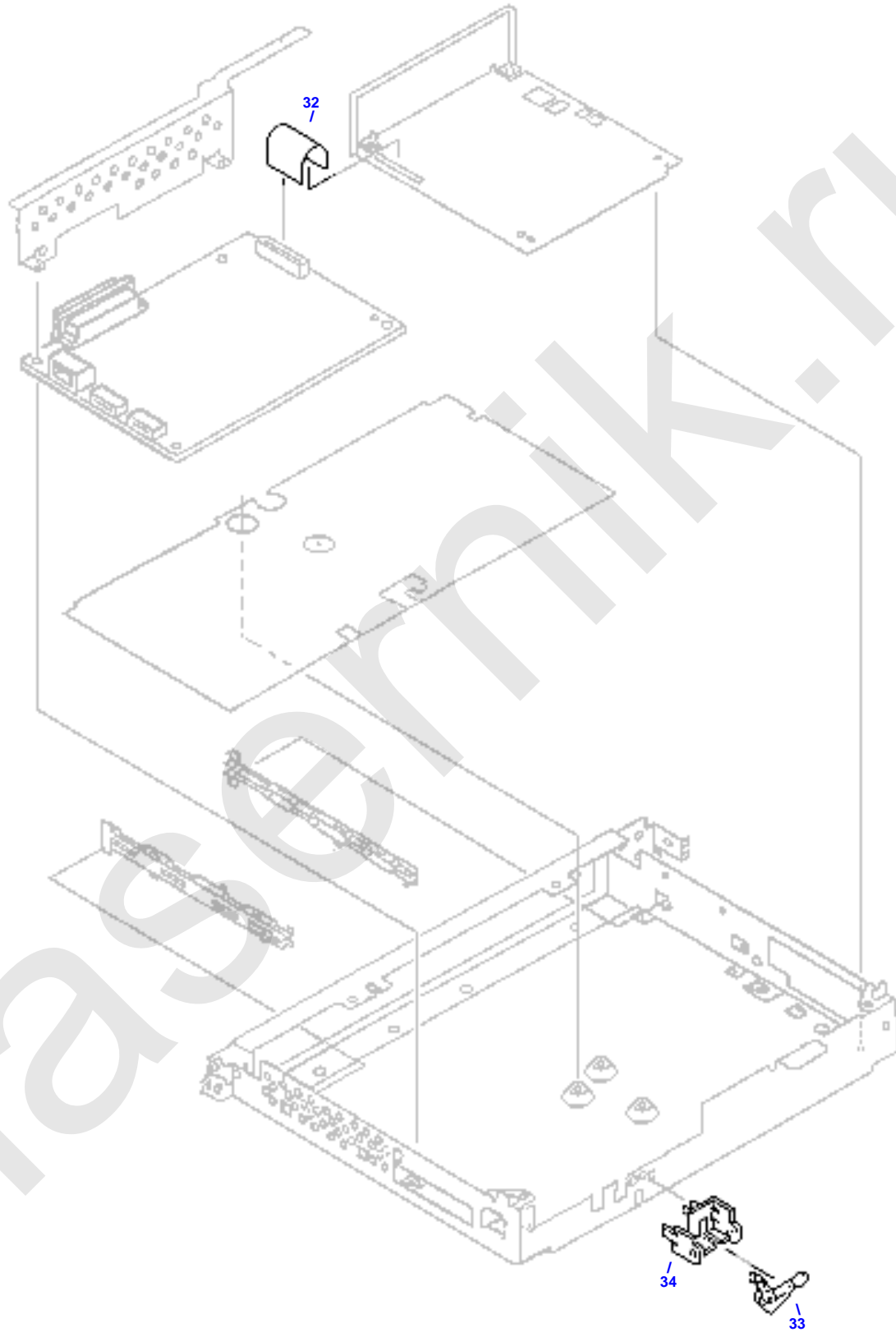
PCA Assembly Locations



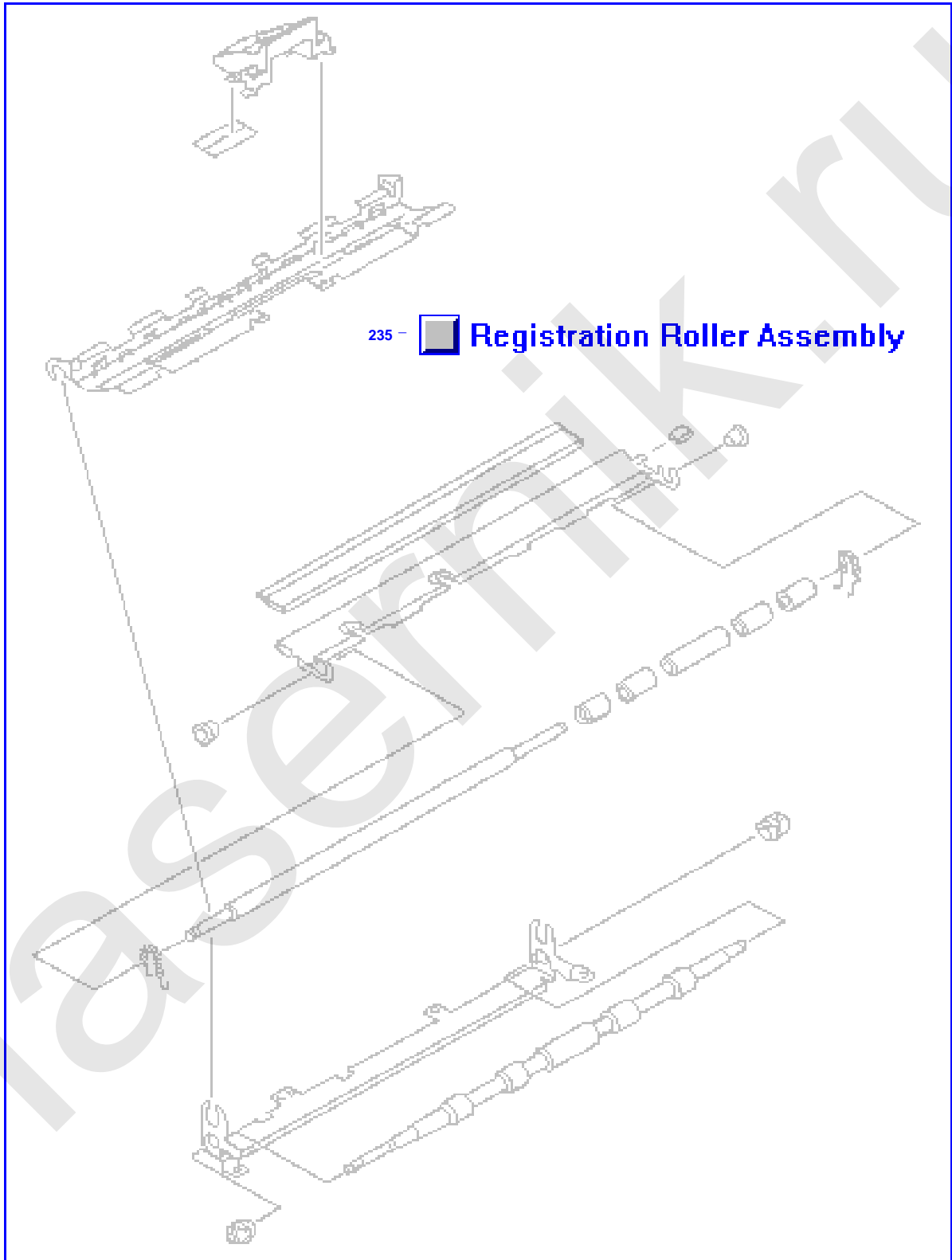
Pickup Drive Assembly



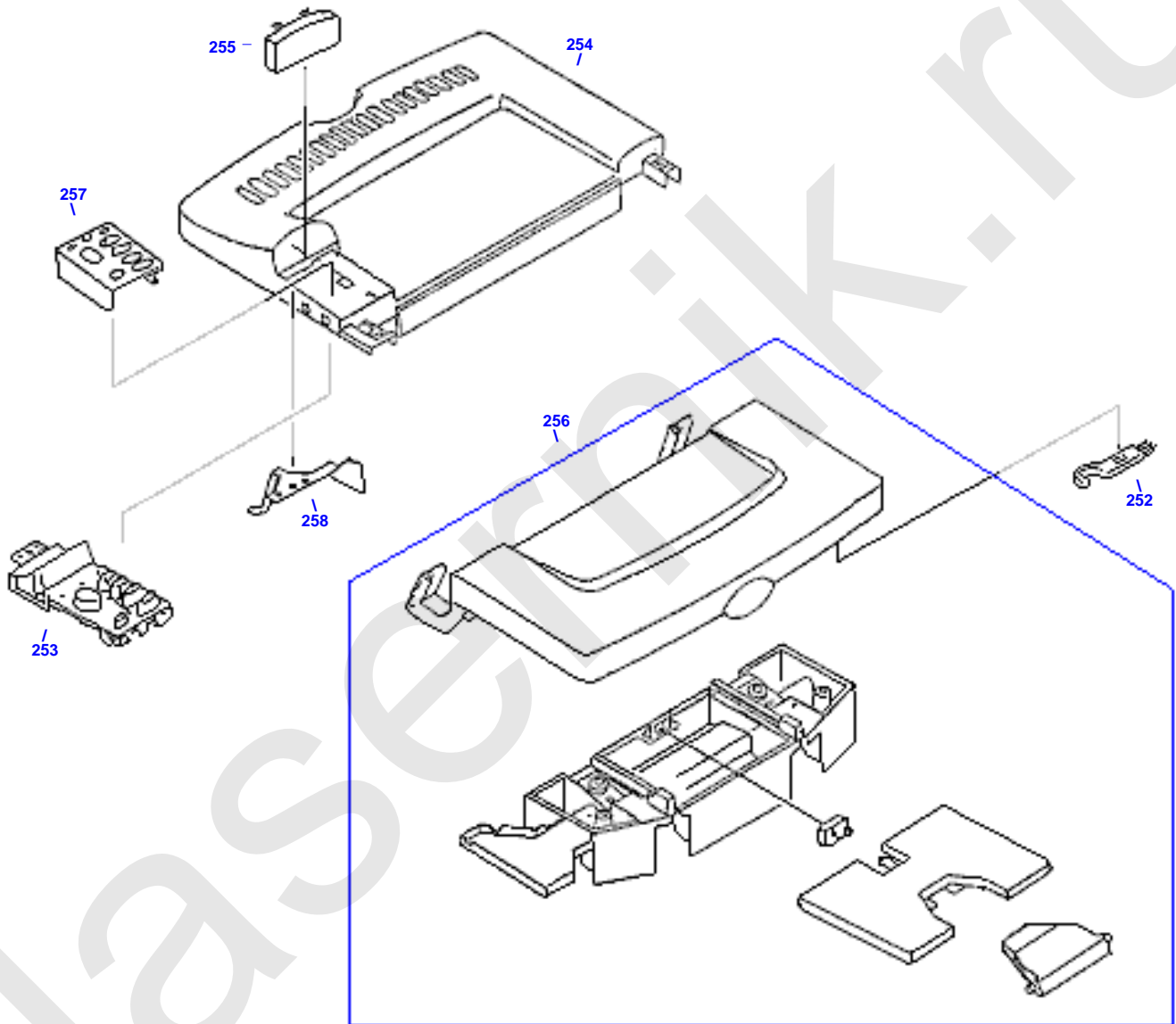
Printer Controller Assembly



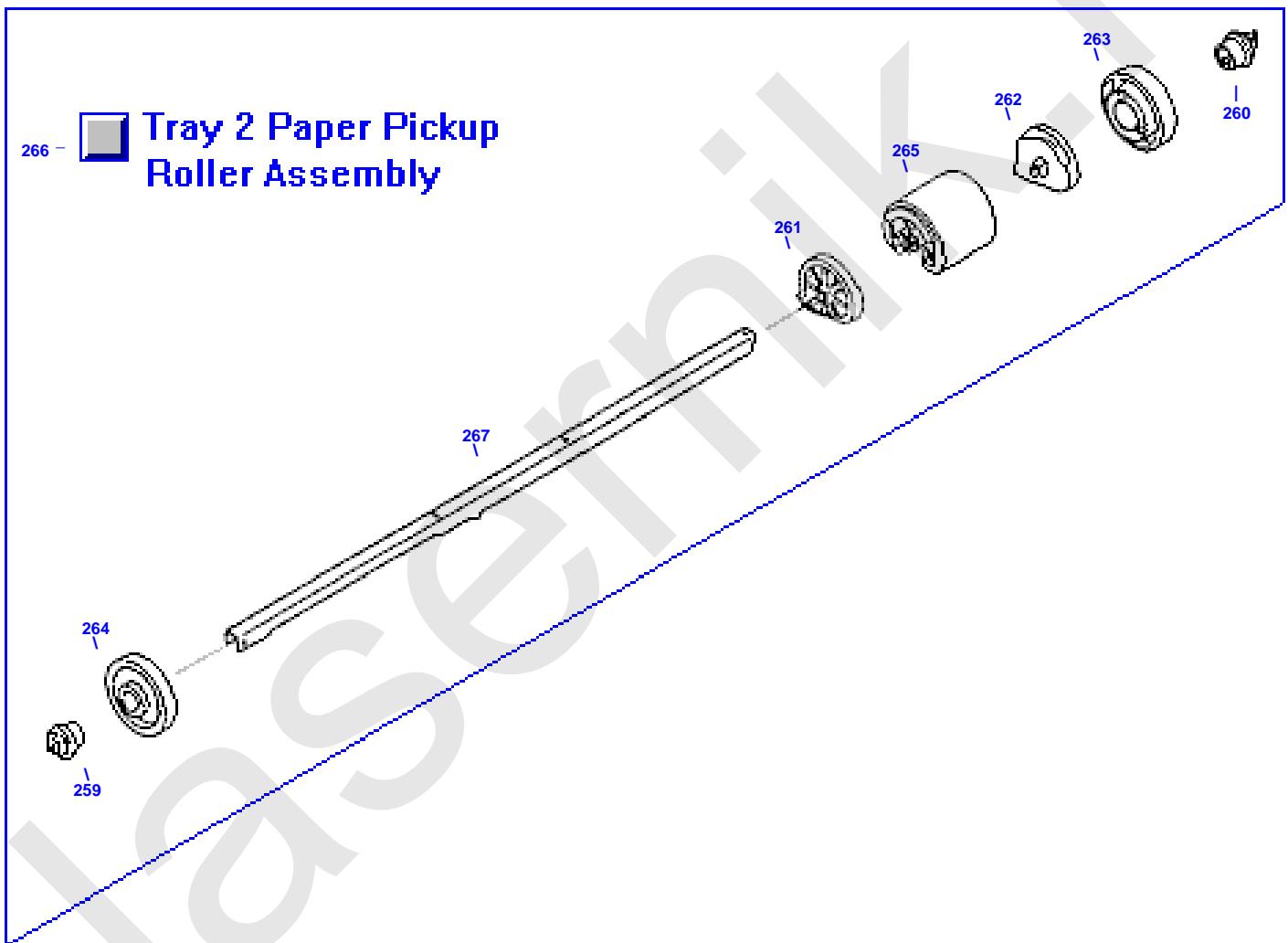
Registration Roller Assembly



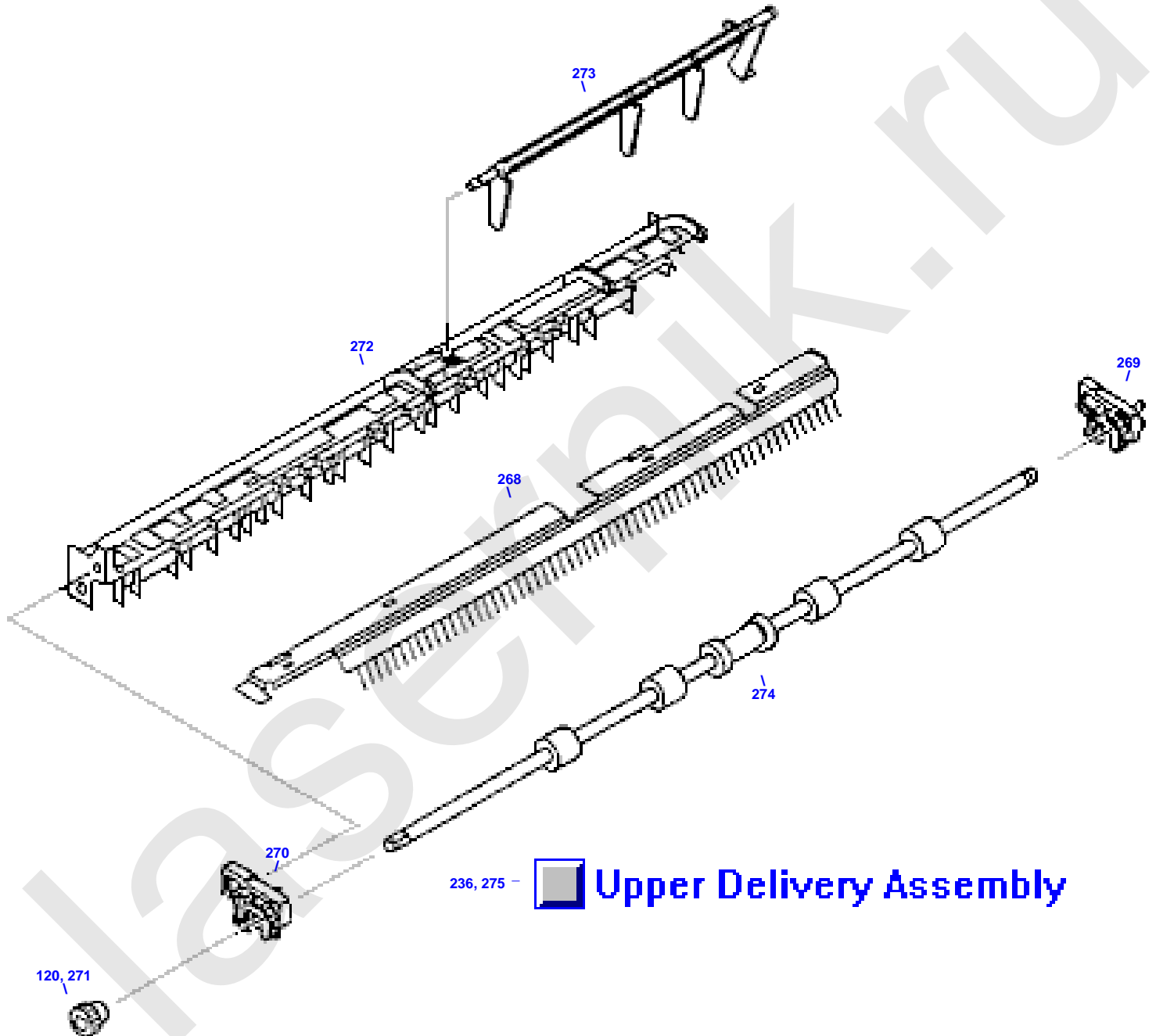
Top Cover Assembly



Tray 2 Pickup Roller Assembly



Upper Delivery Assembly



236, 275 -  Upper Delivery Assembly



HP Parts Reference Guide

<http://www.hp.com/go/parts>

HP PartSurfer

<http://partsurfer.hp.com>

HP Parts Ordering Information

<http://www.hp.com/go/hpparts>

HP Parts Questions/Comments

<http://partsurfer.hp.com/contactus.htm>

laser.nik.ru