

**Electronic Accessories**

**Cable (Interface)**

24540-80010	Centronics (parallel) cable - 36 pin (M) to 25 pin (M) - 2.0m (6.6ft) long
5063-1256	IEEE-1284 Bi-Tronics parallel cable - DB-25 (M) connector (type A) to 36 pin Centronics (M) connector (type B) - 2.0m (6.6ft) long
C2950A	IEEE-1284 Bi-Tronics parallel cable - DB-25 (M) connector (type A) to 36 pin Centronics (M) connector (type B) - 2.0m (6.6ft) long
5063-1256	<i>New Part for C2950A</i>
C2951A	IEEE-1284 Bi-Tronics parallel cable - DB-25 (M) connector (type A) to 36 pin Centronics (M) connector (type B) - 3.0m (9.8ft) long
C2990A	IEEE-1284 Bi-Tronics parallel cable - DB-25 (M) (type A) to 36 pin (M) Centronics (type B) - 1.8m (6ft) long NO LONGER SUPPLIED
C2991A	IEEE-1284 Bi-Tronics parallel cable - DB-25 (M) (type A) to 36 pin (M) Centronics (type B) - 3.0m (10ft) long NO LONGER SUPPLIED

**Feed Assembly**

C3119-69001	Optional paper feeder
-------------	-----------------------

**Memory (Product)**

C2066A	8MB, 80nS, 36-bit SIMM memory module - For HP LaserJet IIISi, 4/4M, 4Si/MX
C3131A	2MB, 70nS, 36-bit SIMM memory module - For HP LaserJet 4P, 4+, 4V, 5, 5N, 5M, 5P, 5Si NO LONGER SUPPLIED
C3146-67901	<i>New Part for C3131A</i>
C3132A	4MB, 70nS, 36-bit SIMM memory module - For HP LaserJet 4P, 4+, 4V, 5, 5N, 5M, 5P, 5Si NO LONGER SUPPLIED
C3146-67901	<i>New Part for C3132A</i>
C3133A	8MB, 70nS, 36-bit SIMM memory module - For HP LaserJet 4P, 4+, 4V, 5, 5N, 5M, 5P, 5Si NO LONGER SUPPLIED
C3146-67901	<i>New Part for C3133A</i>
C3146A	16MB, 70nS, 36-bit SIMM memory module upgrade - Includes one SIMM
C3146-67901	<i>New Part for C3146A</i>
D3578A	32MB, 70nS, 36-bit parity SIMM memory module NO LONGER SUPPLIED

**Memory (SIMM)**

C2747-69501	16MB SIMM memory module REQUIRES RETURN OF DEFECTIVE PART
1818-5621	<i>New Part for C2747-69501</i>
C3130-60001	1MB, 32-bit SIMM memory module
C3131-67901	2MB, 32-bit SIMM memory module NO LONGER SUPPLIED
C3146-67901	<i>New Part for C3131-67901</i>
C3132-67901	4MB, 70nS, 36-bit parity SIMM memory module NO LONGER SUPPLIED
C3146-67901	<i>New Part for C3132-67901</i>
C3133-67901	8MB, 70nS, 36-bit parity SIMM memory module NO LONGER SUPPLIED
C3146-67901	<i>New Part for C3133-67901</i>
C3146-67901	16MB SIMM memory module
D2150-69001	1MB, 80nS, 36-bit SIMM memory module NO LONGER SUPPLIED
D2298-69001	32MB, 70nS, 36-bit SIMM memory module REQUIRES RETURN OF DEFECTIVE PART
D3578-63001	<i>New Part for D2298-69001</i>
D3578-69001	32MB, 70nS, 36-bit parity SIMM memory module REQUIRES RETURN OF DEFECTIVE PART
D3578-63001	<i>New Part for D3578-69001</i>

## Electronic Accessories

### Memory (SIMM)

D2156-69001	4MB, 80nS, 36-bit SIMM memory module REQUIRES RETURN OF DEFECTIVE PART
<i>D2156-63001</i>	<i>New Part for D2156-69001</i>
D2152-69001	8MB, 80nS, 36-bit SIMM memory module REQUIRES RETURN OF DEFECTIVE PART
<i>D2152-63001</i>	<i>New Part for D2152-69001</i>

### PostScript

C3963-67901	Adobe PostScript level 2 SIMM module - For the color LaserJet 5 series
C3963A	Adobe PostScript level 2 SIMM module - For color LaserJet 5 NO LONGER SUPPLIED

## External Case Parts

### Bracket

27	07BA12414KC	Rear feed unit large support bracket for lower rear cover
28	07BA12441KC	Rear feed unit small support bracket for lower rear cover

### Button

29	07BA12135KC	Top cover release button
----	-------------	--------------------------

### Cover

30	07BA-1130KC	Lower front cover - Includes power button & font access door NO LONGER SUPPLIED
31	07BA-1150KC	Right side cover - Includes SIMM slot access door NO LONGER SUPPLIED
32	07BA-1162KC	Toner hopper cover - Includes toner hopper access door NO LONGER SUPPLIED
33	07BA-1370KC	Left side cover NO LONGER SUPPLIED
34	07BA-1441KC	Top cover - Includes paper stop, hinge assembly and cover release button with spring NO LONGER SUPPLIED
35	07BA-4121KC	Lower rear cover (serial number of printer is on this cover) - Includes double roller assembly in center of cover NO LONGER SUPPLIED
36	07BA70031KC	Control panel cover - For display area
37	07BA-7010KC	Control panel cover (L-shaped) - Shows button functions (English) NO LONGER SUPPLIED

### Door

38	07BA-1430KC	Font cartridge access door - Right side of lower front cover NO LONGER SUPPLIED
39	07BA-1450KC	SIMM slot access door - Attaches to right side cover NO LONGER SUPPLIED
40	07BA-3160KC	Developer access door - Flip up cover on left side NO LONGER SUPPLIED

### Nameplate/Logo

C3961-40001	Nameplate - Color LaserJet 5 printer NO LONGER SUPPLIED
-------------	--

### Stop

42	07BA12582KC	Flip-up paper stop on top cover - For paper output
----	-------------	--

## Fusing Assembly Parts

### Coating Kit

C3964-67901	Fusing assembly coating kit (for 20,000 page maintenance) - Includes both the coating roller and cleaning roller	
44	C3964A	Fusing assembly coating kit (for 20,000 page maintenance) - Includes both the coating roller and cleaning roller

### Fusing Assembly

45	C3969-69001	Fusing assembly (for 110V to 127V, 60Hz operation) - Bonds toner to paper by heat REQUIRES RETURN OF DEFECTIVE PART
	<i>C3969-67901</i>	<i>New Part for C3969-69001</i>

## Fusing Assembly Parts

### Fusing Assembly

- 46 C3969-69002 Fusing assembly (for 220V to 240V, 50Hz operation) - Bonds toner to paper by heat  
REQUIRES RETURN OF DEFECTIVE PART
- C3969-67902 *New Part for C3969-69002*

## Logic/Control Electronics

### Control Panel

- 47 07BP-7000KC Control panel/display assembly - Complete

### Memory (IC)

- 48 07BA-9330KC Non-volatile RAM IC (NVRAM)  
NO LONGER SUPPLIED

### PC Board

- 49 07BA-9525KC Rear feed unit connector board  
NO LONGER SUPPLIED
- 50 07BA-9696KC Toner detect board  
NO LONGER SUPPLIED
- 51 07BM-7917KC Control board
- 52 C3960-69002 Formatter board - Includes Bi-Tronics interface connector

## Optional Interfaces

### Interface (Module)

- J4101-61011 External JetDirect 300X print server module (10Base-T and 100Base-T) - Connects between printer parallel port and LAN network - Does NOT include power module - (J4101A, J4101B)

### Interface (Product)

- J2550B EtherTwist (10Base-T) LAN interface board  
NO LONGER SUPPLIED
- J2552B LAN & LocalTalk interface - Has EtherTwist (10Base-T), ThinLAN (10Base-2), and LocalTalk (DIN-8) connectors  
NO LONGER SUPPLIED
- J2555B Token ring LAN interface board - DB-9 and RJ-45 connectors  
NO LONGER SUPPLIED
- J2590A External JetDirect LAN interface module with RJ-45 connector for EtherTwist (10Base-T) or 100VG/802.12 input and 3 parallel (DB-25) output connectors  
NO LONGER SUPPLIED
- J2591A External JetDirect LAN interface module and power module - Has EtherTwist (10Base-T) and ThinLAN (10Base-2) connectors  
NO LONGER SUPPLIED
- J3258B External JetDirect 170X LAN interface module - Interfaces a parallel printer to an ethernet 10Base-T (RJ-45) LAN
- J3264A External JetDirect 500X token ring interface module - Interfaces up to 3 parallel printers to a token ring (DB-9 or RJ-45) LAN
- J3265A External JetDirect 500X LAN interface module - Interfaces up to 3 parallel printers to an ethernet 10Base-T (RJ-45), 10Base2 (BNC), or 100Base-TX (RJ-45) LAN

### Module

- J2382-69003 External JetDirect LAN interface module with ethertwist (10Base-T) and ThinLAN (10BASE-2) connectors
- J2383-61005 External token ring interface module - Has DB-9 connector
- J2590-69001 External JetDirect LAN interface module with RJ-45 connector for ethertwist (10Base-T) or 100VG/802.12 input and 3 parallel (DB-25) output connectors  
REQUIRES RETURN OF DEFECTIVE PART
- J2590-61011 *New Part for J2590-69001*
- J2591-69001 External JetDirect LAN interface module with ethertwist (10Base-T) and ThinLAN (10BASE-2) connectors
- J2592-69001 External JetDirect LAN interface module with ethertwist (10Base-T) connector  
REQUIRES RETURN OF DEFECTIVE PART
- J2592-61001 *New Part for J2592-69001*
- J2593-69001 External JetDirect LAN interface module with Ethertwist (10Base-T) and ThinLAN (10BASE-2) input connectors and 3 parallel (DB-25) output connectors - (part of J2593A)
- J2594-69001 External JetDirect token ring interface module with DB-9 and RJ-45 input connectors and 3 parallel (DB-25) output connectors - (part of J2594A)  
REQUIRES RETURN OF DEFECTIVE PART
- J2594-61011 *New Part for J2594-69001*

**Optional Interfaces**

<b>Module</b>	
J3258-61011	External JetDirect LAN interface module with EtherTwist (10Base-T) connector - (J3258A, J3258B)
J4102-69011	External JetDirect LAN interface module with EtherTwist (10Base-T) connector - (J4102A, J4102B) REQUIRES RETURN OF DEFECTIVE PART
<i>J4102-61011</i>	<i>New Part for J4102-69011</i>

**Module (Product)**

J4101B	External JetDirect LAN interface module with EtherTwist (10Base-T/Base-TX) connector
J4102B	External JetDirect LAN interface module with EtherTwist (10Base-T) connector

**PC Board (Interface)**

J2341-60128	AppleTalk (LocalTalk) interface board - Has DIN-8 connector
J2371-69001	EtherTwist 10Base-T interface board NO LONGER SUPPLIED
J2372-69001	LAN interface board with EtherTwist 10Base-T and ThinLAN 10Base-2 connectors
<i>J4100-69001</i>	<i>New Part for J2372-69001</i>
J2373-60001	Token ring interface board - Has DB-9 connector NO LONGER SUPPLIED
J2550-69013	EtherTwist 10Base-T LAN interface board
J2552-69013	LAN and LocalTalk interface - EtherTwist (10Base-T), ThinLAN (10Base-2), and LocalTalk (DIN-8) connectors
J2555-69013	Token ring LAN interface board - DB-9 and RJ-45 connectors

**Power Cord**

<b>80</b>	8120-1351	Power cord (Mint Gray) - 17 AWG, 2.3m (7.5ft) long - Has straight (F) receptacle (For 240V in the UK, Hong Kong, Singapore, Malaysia, and Brunei)
<b>81</b>	8120-1369	Power cord (Mint Gray) - 17 AWG, 2.0m (6.6ft) long - Has straight (F) receptacle (For 240V in Australia, New Zealand, and China)
	8120-1378	Power cord (Jade Gray) - 18 AWG, 2.3m (7.5ft) long - Has straight (F) receptacle (For 120V in USA, Canada, Latin America, Korea, Taiwan, Thailand, Spain, Brazil, and Vietnam)
<b>83</b>	8120-1689	Power cord (Mint Gray) - 17 AWG, 2.0m (6.6ft) long - Has straight (F) receptacle (For 220V in Europe, Bangladesh, Indonesia, Pakistan, Burma, Sri Lanka, and Vietnam)
<b>84</b>	8120-2104	Power cord (Mint Gray) - 2.0m (6.6ft) long - Has straight (F) receptacle (For 220V in Switzerland)
<b>85</b>	8120-2956	Power cord (Mint Gray) - 2.0m (6.6ft) long - Has straight (F) receptacle (For 220V in Denmark)
	8120-4753	Power cord (Flint Gray) - 18 AWG, 2.3m (7.5ft) long - Has straight (F) receptacle (For 100V in Japan)
	8120-6302	'Daisy chain' power cord (Dove Gray) - 18 AWG, 1.2m (4.0ft) long - Has C14 (M) plug for power input and C13 (F) plug for power output

**Power Module**

	0950-2372	Power supply module - 100-240VAC input, 47-63Hz, requires separate AC power cord - 5VDC output, 1A, 5 watts - For J2382/83A/B
	0950-3169	Wall mount power supply module - 110-127V AC 57-63Hz input - 13V DC output at 300mA (USA, Canada) - For use with the J2592A external JetDirect LAN interface module
	0950-3170	Power supply module - 209-253VAC input, 47-53Hz - 13VDC output, 300mA (Europe, Israel) - For use with the J2592A external JetDirect LAN interface module
	0950-3171	Power supply module - 220-240VAC input, 47-53Hz - 13VDC output, 300mA (U.K., Hong Kong) - For use with the J2592A external JetDirect LAN interface module
	0950-3172	Power supply module - 240VAC input, 47-53Hz - 13VDC output, 300mA (Australia) - For use with the J2592A external JetDirect LAN interface module
	0950-3348	Wall mount power supply module (MEI-AH ED12006) - 110-127VAC input, 57-63Hz - 13VDC output, 800mA, 10.4 watts (for use in the United States and Canada) - For models J2590/91/93/94A, J2964A, J3258A/B, J3263/64/65A, J3282B, J4101A/B, J4102A/B
	0950-3349	Wall mount power supply module (MEI-AH ED12007) - 230VAC input, 47-53Hz - 13VDC output, 800mA, 10.4 watts (for use in Europe and Israel) - For JetDirect/infrared interface models J2590/91/93/94A, J2964A, J3258A/B, J3263/64/65A, J3282B, J4101A/B, J4102A/B
	0950-3350	Wall mount power supply module (MEI-AH ED12008) - 220-240VAC input, 47-53Hz - 13VDC output, 800mA, 10.4 watts (for use in the United Kingdom) - For JetDirect/infrared interfaces J2590/91/93/94A, J2964A, J3258A/B, J3263/64/65A, J3282B, J4101A/B, J4102A/B
	0950-3351	Wall mount power supply module (MEI-AH ED12009) - 220VAC input, 47-63Hz - 13VDC output, 800mA, 10.4 watts (for use in South Korea) - For JetDirect/infrared interface models J2590/91/93/94A, J2964A, J3258A/B, J3263/64/65A, J3282B, J4101A/B, J4102A/B

## Optional Interfaces

### Power Module

0950-3352	Wall mount power supply module (MEI-AH ED12010) - 100VAC input, 47-63Hz - 13VDC output, 800mA, 10.4 watts (for use in Japan) - For JetDirect/infrared interface models J2590/91/93/94A, J2964A, J3258A/B, J3263/64/65A, J3282B, J4101A/B, J4102A/B
0950-3354	Wall mount power supply module (MEI-AH ED12010) - 220-250VAC input, 47-53Hz - 13VDC output, 800mA, 10.4 watts (for use in South Africa) - For JetDirect/infrared interface models J2590/91/93/94A, J2964A, J3258A/B, J3263/64/65A, J3282B, J4101A/B, J4102A/B
9100-5176	Wall mount power supply module (Leader Electronics 48130625HK) - 200VAC input, 48-52Hz - 13VDC output, 625mA (Hong Kong) - For JetDirect Modules and Infrared Interface Models J2590/91/93/94A, J2964A, J3258A/B, J3263/64/65A, J3282B, J4101A/B, J4102A/B
0950-3350	<i>New Part for 9100-5176</i>

## Optional Paper Trays

### Cover

100	05AA47024KC	Paper tray cover - For executive, letter, and A4 size trays NO LONGER SUPPLIED
101	05AA47026KC	Paper tray cover - For legal, tabloid, and A3 size trays

### Spring

102	05AA47090KC	Paper input tray spring in front of cassette tray
-----	-------------	---

### Tray

103	C3113A	HP Color LaserJet Letter paper input tray - Holds 250 sheets of 8.5in x 11in letter size paper
104	C3114A	HP Color LaserJet Legal paper input tray - Holds 250 sheets of 8.5in x 14in legal size paper
105	C3115A	HP Color LaserJet A4 paper input tray - Holds 250 sheets of 8.3in x 11.7in A4 size paper
106	C3116A	HP Color LaserJet Executive paper input tray - Holds 250 sheets of 7.25in x 10.5in Executive size paper NO LONGER SUPPLIED
107	C3117A	HP Color LaserJet A3 paper input tray - Holds 250 sheets of 11.7in x 16.5in A3 size paper
108	C3118A	HP Color LaserJet Tabloid paper input tray - Holds 250 sheets of 11in x 17in tabloid size (B-size) paper

## Other Accessories

### Cabinet

C2937A	Cabinet is made to support the color LaserJet and store supplies and accessories for the printer
--------	--

### Collection Kit

C3120A	Toner collection kit - Collects excess toner - Accessed by lifting up developer access door on left side of printer
--------	---

### Developer

111	C3965A	Developer assembly - For developing black toner applied to the paper
112	C3966A	Developer assembly - For developing the three colored toners applied to the paper

### Drum

113	C3967A	Photoconductive drum cartridge - All four colors are applied directly to drum, then transferred to the paper
-----	--------	--

### Film (Transparency)

C2936A	Color LaserJet transparency film - A4 size (21.0cm x 29.7cm) - 50 sheets per box
C2934A	Color LaserJet transparency film - A size (8.5 x 11-inches) - 50 sheets per box

### Manual

5041-9258	Color LaserJet 5/5M Quick Reference Service Guide
5851-1468	LaserJet printer family paper specification guide
C3961-91031	Color LaserJet (C3100A) and Ccolor LaserJet 5/5M (C3961A and C3962A) printer service manual (English) - Includes paper specification guide
J2552-90001	JetDirect network J2552A software configuration guide
J2552-90101	HP JetDirect print server software installation guide NO LONGER SUPPLIED

### Manual Kit

5021-0377	HP-GL/2, PCL5 and PJI technical reference manual kit
C3961-99014	Color LaserJet 5/5M (C3961A/62A) manual bundle - Includes the 'Getting Started' guide and user's guide (English)
C3961-99015	Color LaserJet 5/5M (C3961A/62A) manual bundle - Includes the 'Getting Started' guide and user's guide (French)



**Other Accessories****Manual Kit**

C3961-99016	Color LaserJet 5/5M (C3961A/62A) manual bundle - Includes the 'Getting Started' guide and user's guide (Italian)
C3961-99017	Color LaserJet 5/5M (C3961A/62A) manual bundle - Includes the 'Getting Started' guide and user's guide (German)
C3961-99018	Color LaserJet 5/5M (C3961A/62A) manual bundle - Includes the 'Getting Started' guide and user's guide (Spanish) NO LONGER SUPPLIED
C3961-99019	Color LaserJet 5/5M (C3961A/62A) manual bundle - Includes the 'Getting Started' guide and user's guide (Danish)
C3961-99020	Color LaserJet 5/5M (C3961A/62A) manual bundle - Includes the 'Getting Started' guide and user's guide (Norwegian)
C3961-99021	Color LaserJet 5/5M (C3961A/62A) manual bundle - Includes the 'Getting Started' guide and user's guide (Dutch)
C3961-99022	Color LaserJet 5/5M (C3961A/62A) manual bundle - Includes the 'Getting Started' guide and user's guide (Swedish)
C3961-99023	Color LaserJet 5/5M (C3961A/62A) manual bundle - Includes the 'Getting Started' guide and user's guide (Finnish)
C3961-99024	Color LaserJet 5/5M (C3961A/62A) manual bundle - Includes the 'Getting Started' guide and user's guide (Portuguese) NO LONGER SUPPLIED

**Packaging**

C3961-60101	Packaging (Shipping box) kit - Includes box, pallet & foam NO LONGER SUPPLIED
C3961-67903	Packaging (Shipping box) kit - Includes foam inserts and tape - For repackaging developers NO LONGER SUPPLIED

**Paper (Glossy)**

C2976A	Glossy printer paper - A4 size (21.0cm x 29.7cm) - For high definition color printing - 50 sheets per box NO LONGER SUPPLIED
C2974A	Glossy printer paper - A size (8.5 x 11-inches) - For high definition color printing - 50 sheets per box NO LONGER SUPPLIED

**Software**

C6072-60301	HP-GL/2 driver software for AutoCAD - For DOS and Windows 3.1/95/NT 4.0 - On 3.5-inch 1.44MB floppy disks (English)
C6072-60304	HP-GL/2 driver software for AutoCAD - For DOS and Windows 3.1/95/NT 4.0 - On 3.5-inch 1.44MB floppy disks (German)
C6072-60305	HP-GL/2 driver software for AutoCAD - For DOS and Windows 3.1/95/NT 4.0 - On 3.5-inch 1.44MB floppy disks (French)
C6072-60306	HP-GL/2 driver software for AutoCAD - For DOS and Windows 3.1/95/NT 4.0 - On 3.5-inch 1.44MB floppy disks (Spanish)
C6072-60307	HP-GL/2 driver software for AutoCAD - For DOS and Windows 3.1/95/NT 4.0 - On 3.5-inch 1.44MB floppy disks (Italian)

**Toner**

C3102A	Cyan bottle of toner for Color LaserJet 5, 5N, 5M
C3103A	Yellow bottle of toner for Color LaserJet 5, 5N, 5M
C3104A	Magenta bottle of toner for Color LaserJet 5, 5N, 5M
C3105A	Black bottle of toner for Color LaserJet 5, 5N, 5M

**Tool**

07BM-1380KC	Optics cleaning tool for laser optics glass NO LONGER SUPPLIED
-------------	---

**Training Kit**

C3961-67906	Self paced training kit for for Color LaserJet, Color LaserJet 5, and Color LaserJet 5M - NTSC video format (VHS)
C3961-67907	Self paced training kit for for Color LaserJet, Color LaserJet 5, and Color LaserJet 5M - PAL video format (VHS) NO LONGER SUPPLIED

**Transfer Assembly**

C3968A	Transfer belt assembly - Wide, burnt orange colored belt assembly located in lower half of printer between paper feed and fusing assemblies
--------	---

**Other Internal Parts**

**Fan**

- 150 07BA-1340KC Fuser cooling fan (FM9)  
NO LONGER SUPPLIED
- 151 07BM-1081KC Main body fan (FM4)

**Filter**

- 152 07BM10971KC Ozone filter

**Laser/Scanner**

- 153 07BA-6503KC Laser/scanner assembly

**Motor**

- 154 07BA-1610KC Developer control motor  
NO LONGER SUPPLIED
- 155 07BM-1504KC Main motor assembly - Includes gear cluster on attached bracket  
NO LONGER SUPPLIED
- 156 07BM-1552KC Developer drive assembly (for 110V to 127V, 60Hz) - Includes developer drive motor, developer control motor, & toner supply solenoid
- 157 07BP-1552KC Developer drive assembly (for 220V to 240V, 50Hz) - Includes developer drive motor, developer control motor, & toner supply solenoid  
NO LONGER SUPPLIED

**Sensor**

- 158 07AA88223KC 'Toner out' sensor
- 159 07BA-9601KC Paper size sensor - Detects size of paper tray being used  
NO LONGER SUPPLIED
- 160 684285520KC Photosensor

**Solenoid**

- 161 07AA82532KC Toner supply solenoid
- 162 07BA-1640KC Cam solenoid (SL4) - Engages clutch that causes developer drive motor to rotate  
NO LONGER SUPPLIED
- 163 07BA-3520KC Toner supply solenoid assembly  
NO LONGER SUPPLIED
- 164 07BA-4180KC Paper feed solenoid (SL1) - Actuates clutch to allow paper pickup from paper tray  
NO LONGER SUPPLIED
- 165 07BA-4310KC Registration solenoid (SL2) - Causes registration plate to drop

**Spring**

- 166 07AA32564KC Upper developer pressure spring (L-shaped) for side of internal bracket
- 167 07AA32573KC Lower developer pressure spring (L-shaped) for side of internal bracket
- 168 07AA32582KC Center developer pressure spring (L-shaped) for side of internal bracket

**Switch**

- 169 07BA-1070KC Interlock switch assembly - Includes three switches that detect top cover open  
NO LONGER SUPPLIED

**Toner Hopper**

- 170 07BM-3911KC Complete toner hopper assembly - Includes hoppers, augers, toner supply solenoid (SL6), and the 4 'Toner Out' sensors

**Paper Path Parts**

**Arm**

- 171 07AA40171KC Paper detection arm - For registration plate
- 172 07AA40183KC Paper detection arm - For paper tray

**Belt**

- 173 07AA77611KC Drive belt
- 174 07AA77620KC Gear drive belt

**Paper Path Parts**

**Brush**

175 07AA45567KC Paper charging brush

**Cam/Gear**

176 07BA-1660KC Cam/gear assembly - Right side  
NO LONGER SUPPLIED

177 07BA-1670KC Cam/gear assembly - Left side  
NO LONGER SUPPLIED

**Clutch**

178 07BA-1100KC Cam clutch and shaft assembly - Controls developer drive motor  
NO LONGER SUPPLIED

**Collection Kit**

C3120-60001 Toner collection kit - Collects excess toner

**Developer**

180 C3965-67901 Developer assembly - For developing black toner applied to the paper - (C3965A)

181 C3966-67901 Developer assembly - For developing the three colored toners applied to the paper - (C3966A)

**Drum**

182 C3967-67901 Photoconductive drum cartridge - All four colors are applied directly to drum, then transferred to the paper

**Flag**

183 07AA40153KC Paper detect flag (L-SHAPED) - Mounts on right end of paper detection arm shaft (for registration plate)

184 07AA40163KC Paper detect flag (L-SHAPED) - Mounts on right end of the paper detection arm shaft (for the paper tray)

**Gear**

185 07AA77260KC Gear/belt pulley - 44 tooth

186 07AA77271KC Gear/belt pulley - 20 tooth

187 07AA77280KC Gear/belt pulley - 24 tooth

188 07AA77290KC Gear - 30 tooth

189 07AA77302KC Gear - 52 tooth - Drives cam/gear assembly on both side of chassis

190 07AA77310KC Gear - 24 tooth - Attaches to cam clutch and shaft assembly

191 07AA77331KC Gear/belt pulley - 25 tooth

192 07AA77350KC Gear - 18 tooth

193 07AA77360KC Dual gear - 36 tooth/24 tooth

194 07BA77320KC Gear/belt pulley - 74 tooth

195 07BA77850KC Gear - 25 tooth

196 07BA77860KC Gear - 36 tooth

197 07BA77990KC Gear - 23 tooth

198 07BA78010KC Gear - 19 tooth

199 07BA-4072KC Paper feed gear - Spring attaches to the middle of the gear  
NO LONGER SUPPLIED

200 392040140KC Gear - 36 tooth

**Paper Exit Assembly**

201 07BA-5005KC Complete paper exit assembly - Includes gears, belt, rollers, sensor etc. - ONLY part separately available is photosensor (PS1)

**Plate**

202 07AA40114KC Registration plate - Stops the paper until image on the print drum is aligned with the top of page

**Roller**

203 07AA15083KC Upper paper exit rollers - Shaft with six rollers on it

204 07AA40136KC Lower feed roller - Shaft with two rollers - Next rollers (in paper path) after paper is pulled from the paper tray

205 07AA40142KC Registration feed roller - Shaft with two rollers - Rollers located (in paper path) just before registration plate

206 07BA-1701KC Exit roller - White rollers visible on top cover  
NO LONGER SUPPLIED

207 07BA-4062KC Pickup rollers - Shaft with six 'D' shaped rollers - Feeds paper from paper input tray



**Paper Path Parts****Sensor**

208 684285520KC Photosensor

**Transfer Assembly**

209 C3968-67901 Charge transfer assembly - Wide, burnt orange belt assembly located between the paper feed and fusing assemblies (60,000 pages typical life) - (C3968A and used as a replacement for C3110A)

**Power Supplies and Parts****Power Cord**

210 8120-1351 Power cord (Mint Gray) - 17 AWG, 2.3m (7.5ft) long - Has straight (F) receptacle (For 240V in the UK, Hong Kong, Singapore, Malaysia, and Brunei)

211 8120-1369 Power cord (Mint Gray) - 17 AWG, 2.0m (6.6ft) long - Has straight (F) receptacle (For 240V in Australia, New Zealand, and China)

212 8120-1689 Power cord (Mint Gray) - 17 AWG, 2.0m (6.6ft) long - Has straight (F) receptacle (For 220V in Europe, Bangladesh, Indonesia, Pakistan, Burma, Sri Lanka, and Vietnam)

213 8120-2104 Power cord (Mint Gray) - 2.0m (6.6ft) long - Has straight (F) receptacle (For 220V in Switzerland)

8120-2371 Power cord (Black) - 16 AWG, 2.3m (7.5ft) long - Has straight (F) receptacle (For 120V in the USA and Canada)

215 8120-2956 Power cord (Mint Gray) - 2.0m (6.6ft) long - Has straight (F) receptacle (For 220V in Denmark)

216 8120-4211 Power cord (Mint Gray) - 17 AWG, 2.0m (6.6ft) long - Has straight (F) receptacle (For 240V in South Africa and India)

**Power Supply**

217 07BM-1012KC Power supply drawer assembly - 110-127VAC, 60Hz  
NO LONGER SUPPLIED

07BM-7310KC High voltage power supply - Supplies the corona voltages

219 07BM-7320KC Developer high voltage supply

220 07BP-1012KC DC power supply drawer assembly - 220-240VAC input, 50Hz  
NO LONGER SUPPLIED

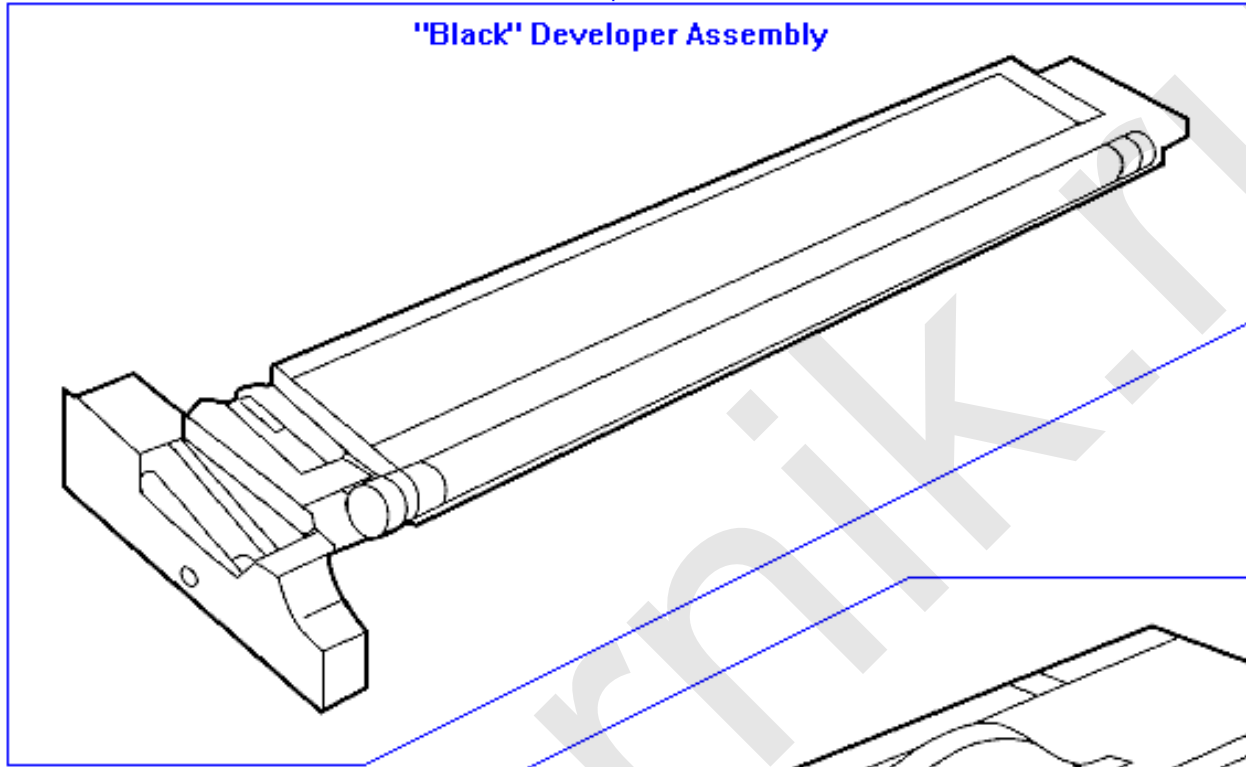
**Switch**

221 07BA86010KC Interlock door switch - Disables AC power supply when top cover is opened

"Black" and "Color" Developer Assemblies

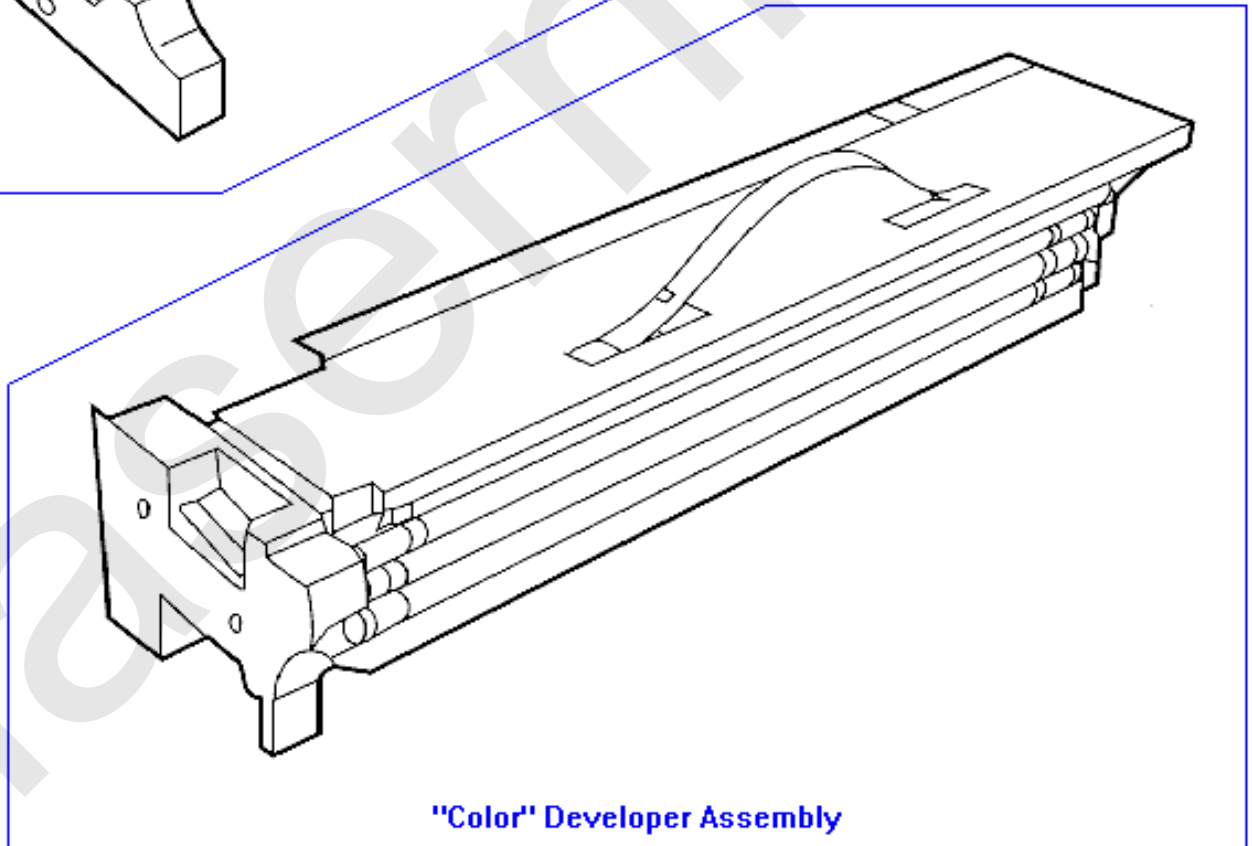
111,180

"Black" Developer Assembly

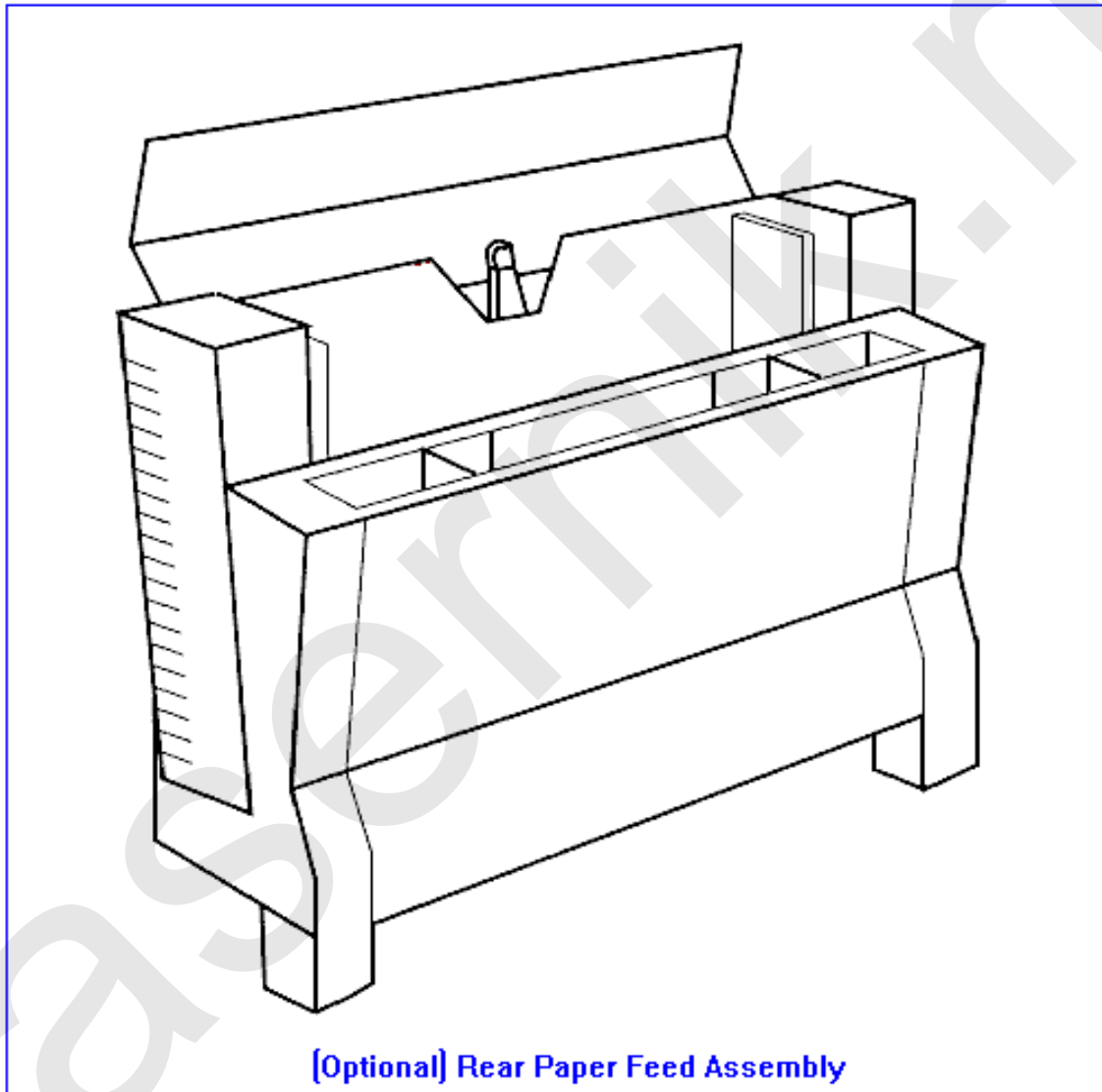


"Color" Developer Assembly

112,181



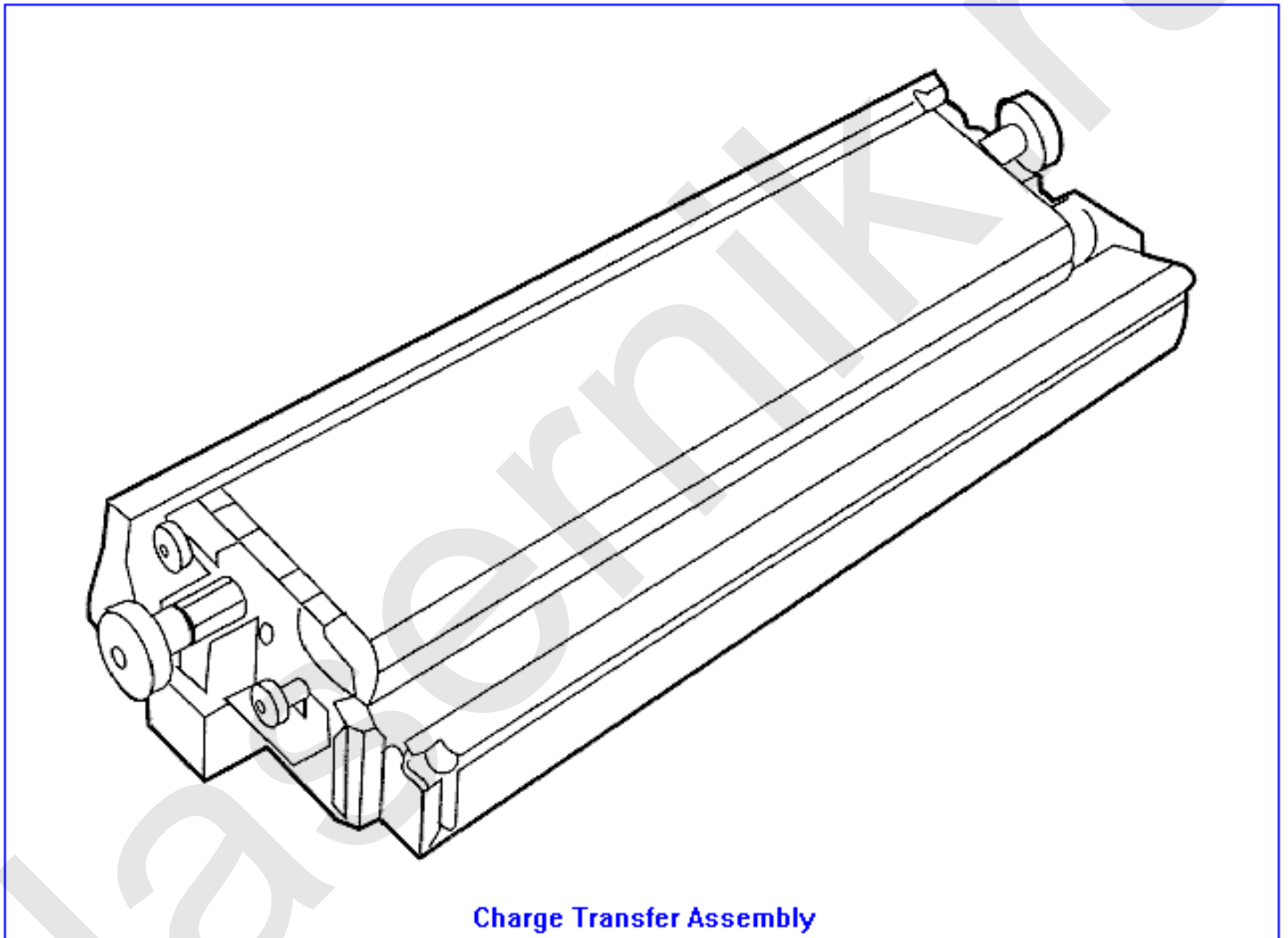
(Optional) Rear Paper Feed Assembly



**(Optional) Rear Paper Feed Assembly**

7

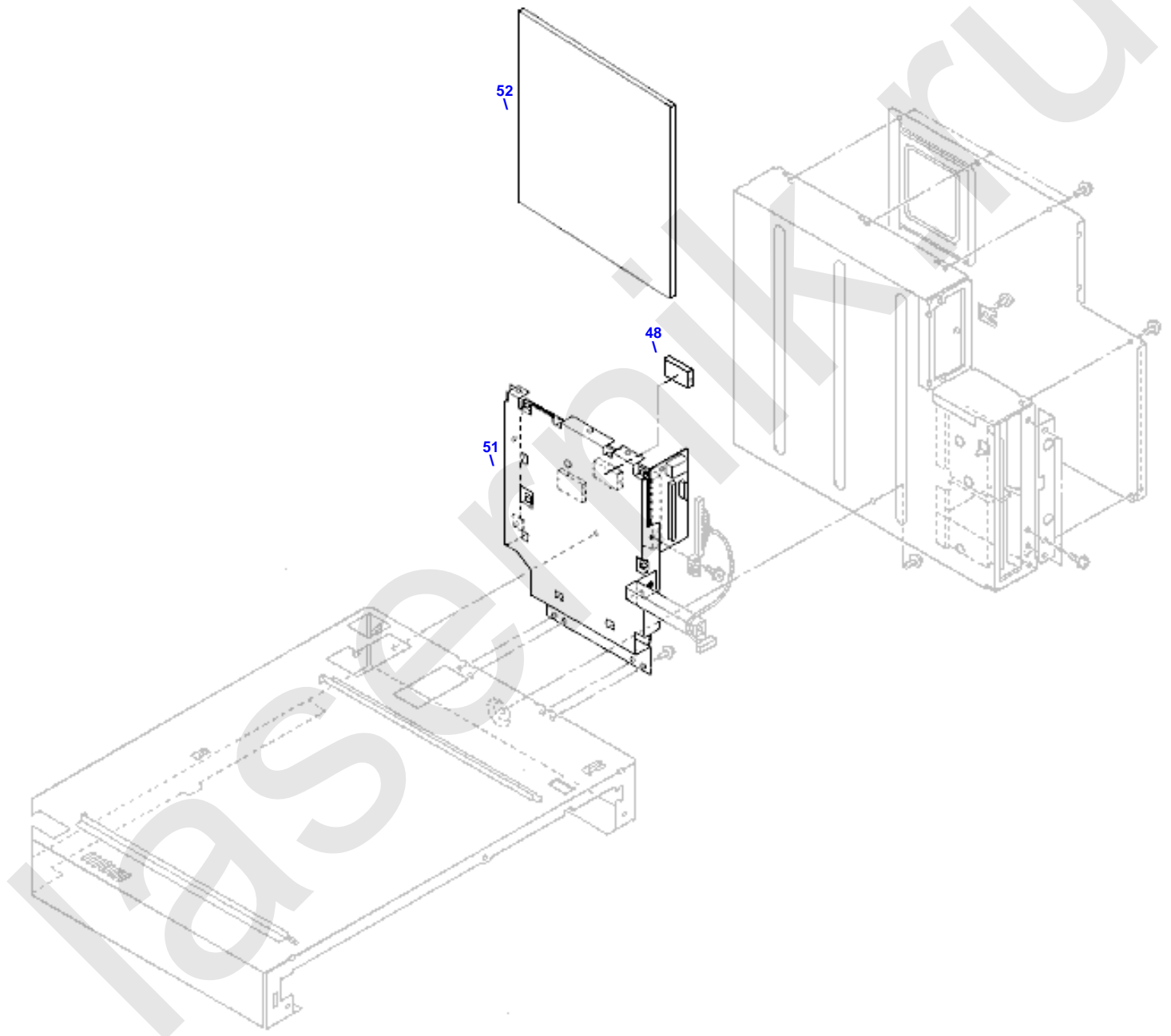
Charge Transfer Assembly



Charge Transfer Assembly

175, 209

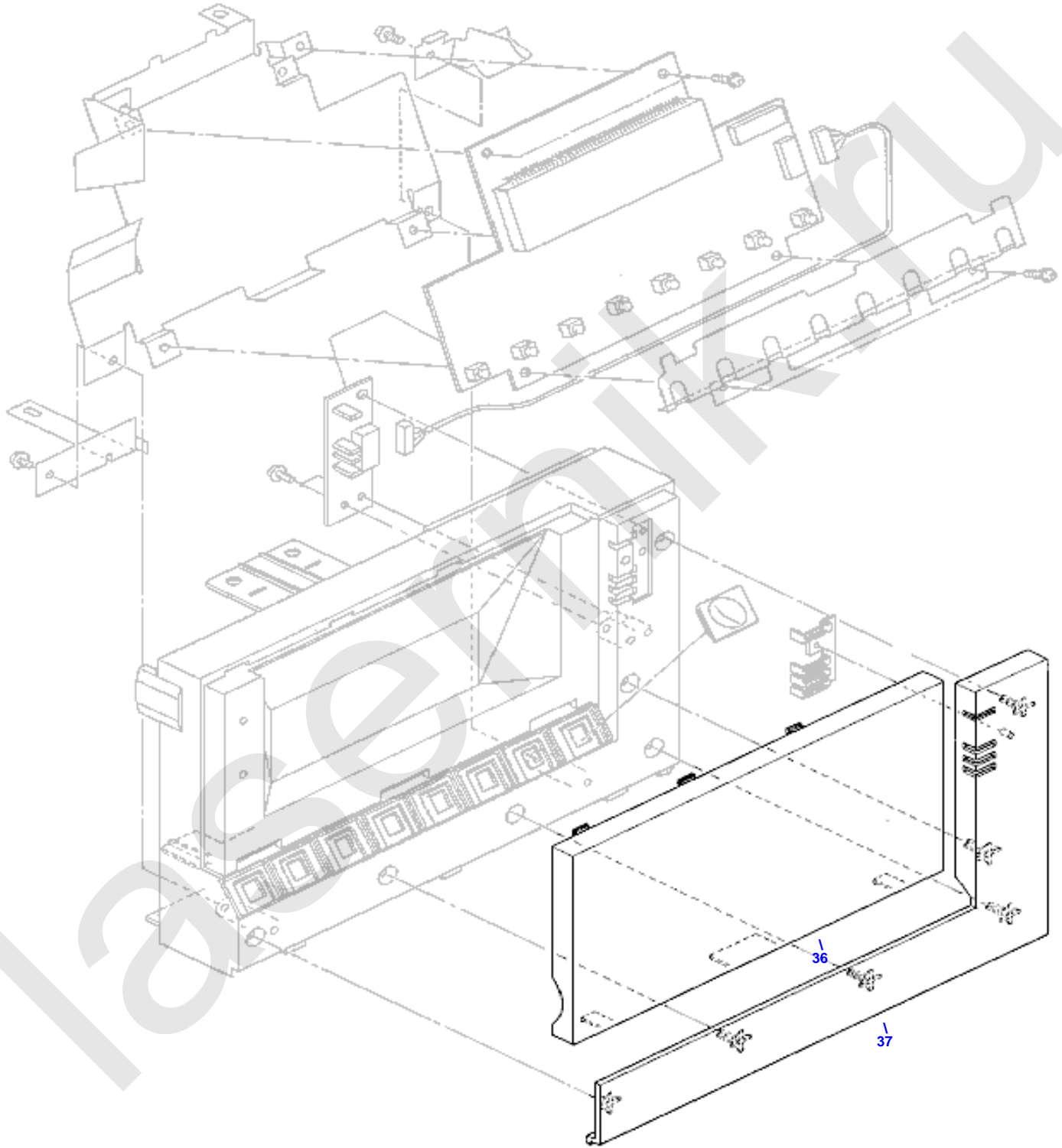
Control and Formatter Boards Assembly



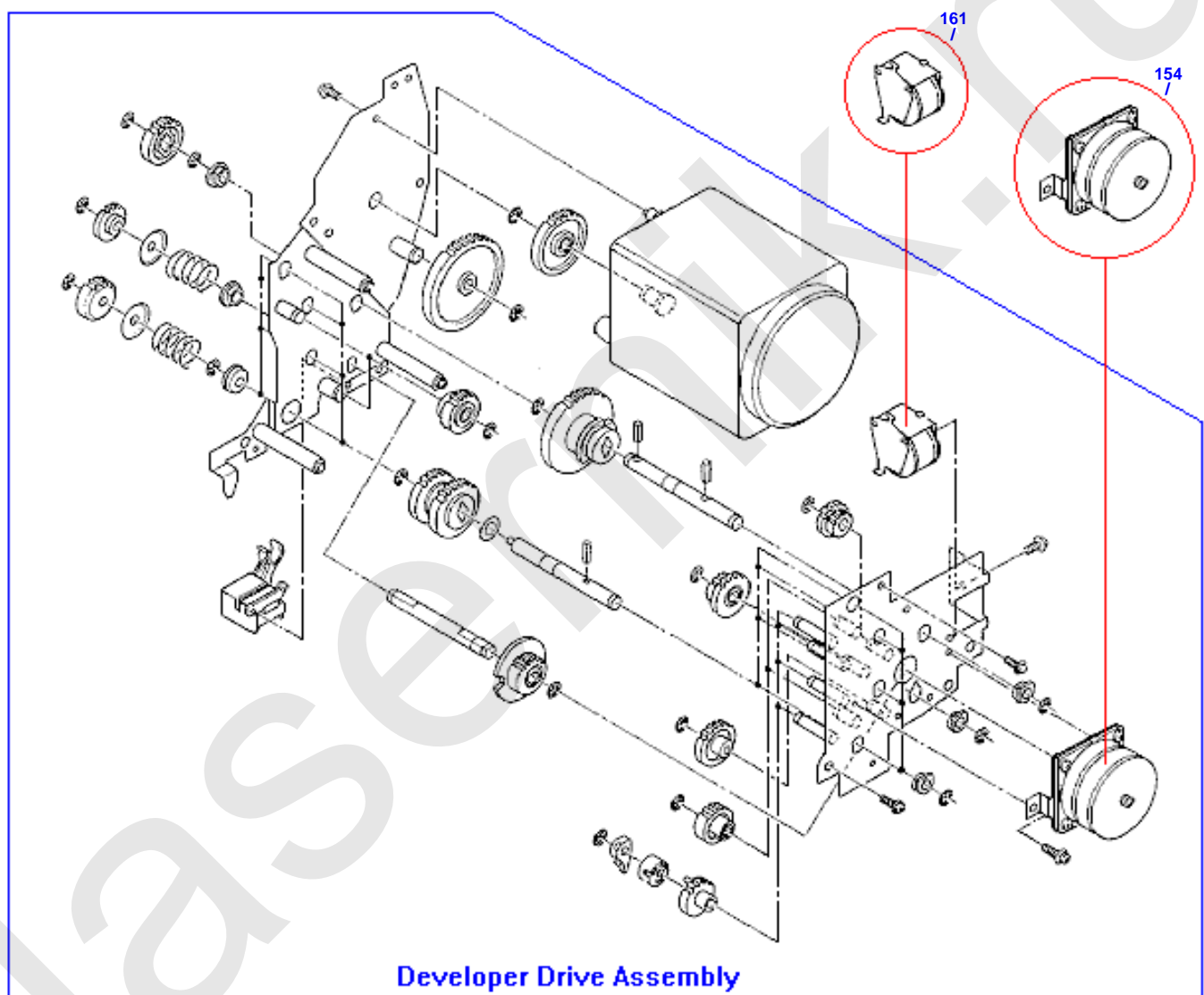


Control Panel Assembly

 Control Panel Assembly - 47

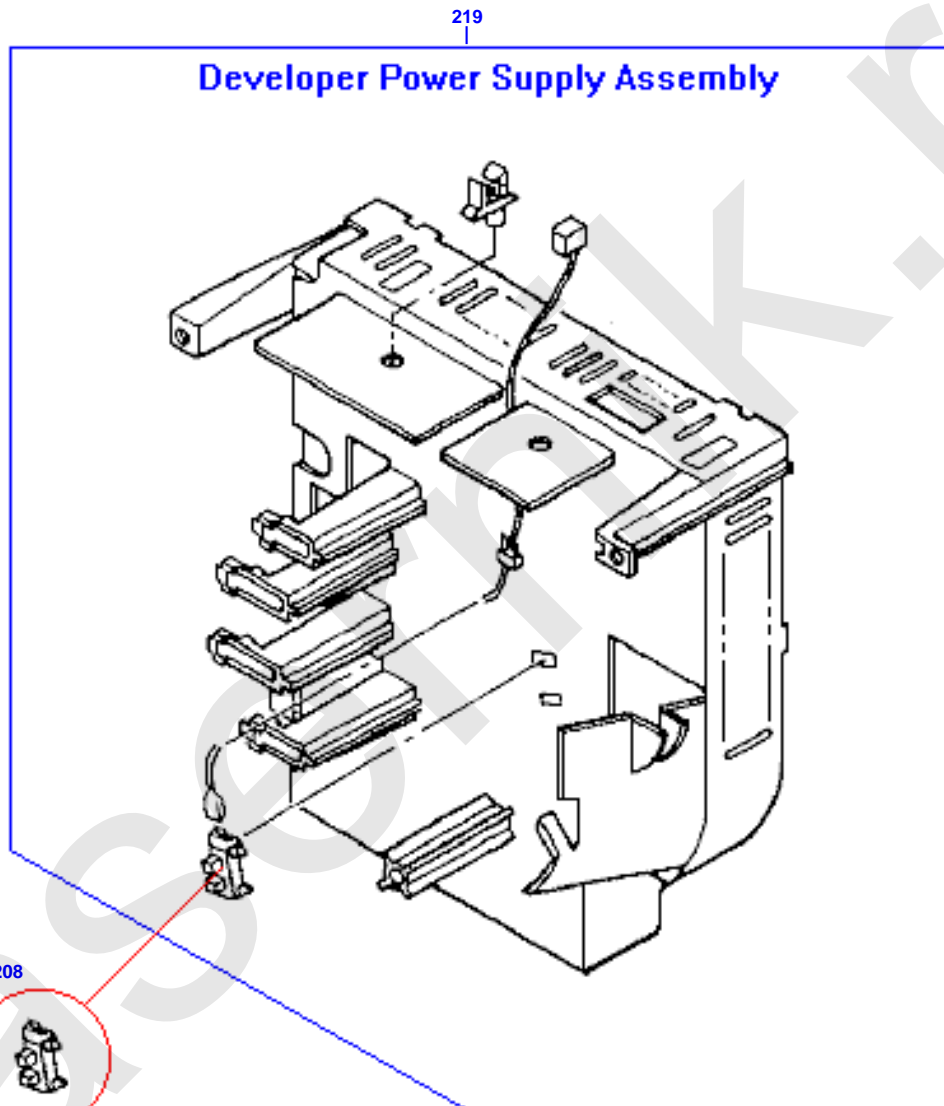


Developer Drive Assembly

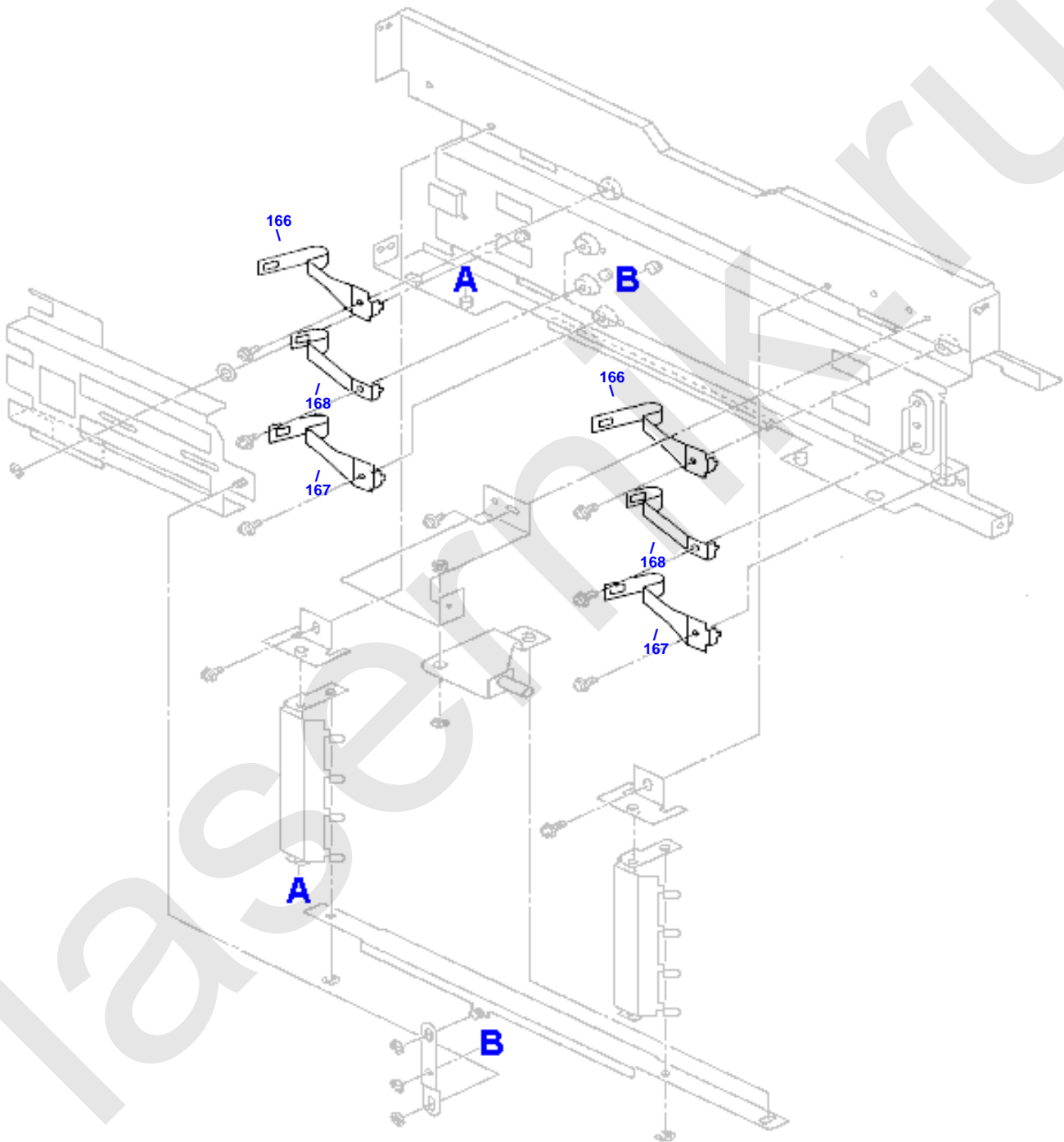


156, 157

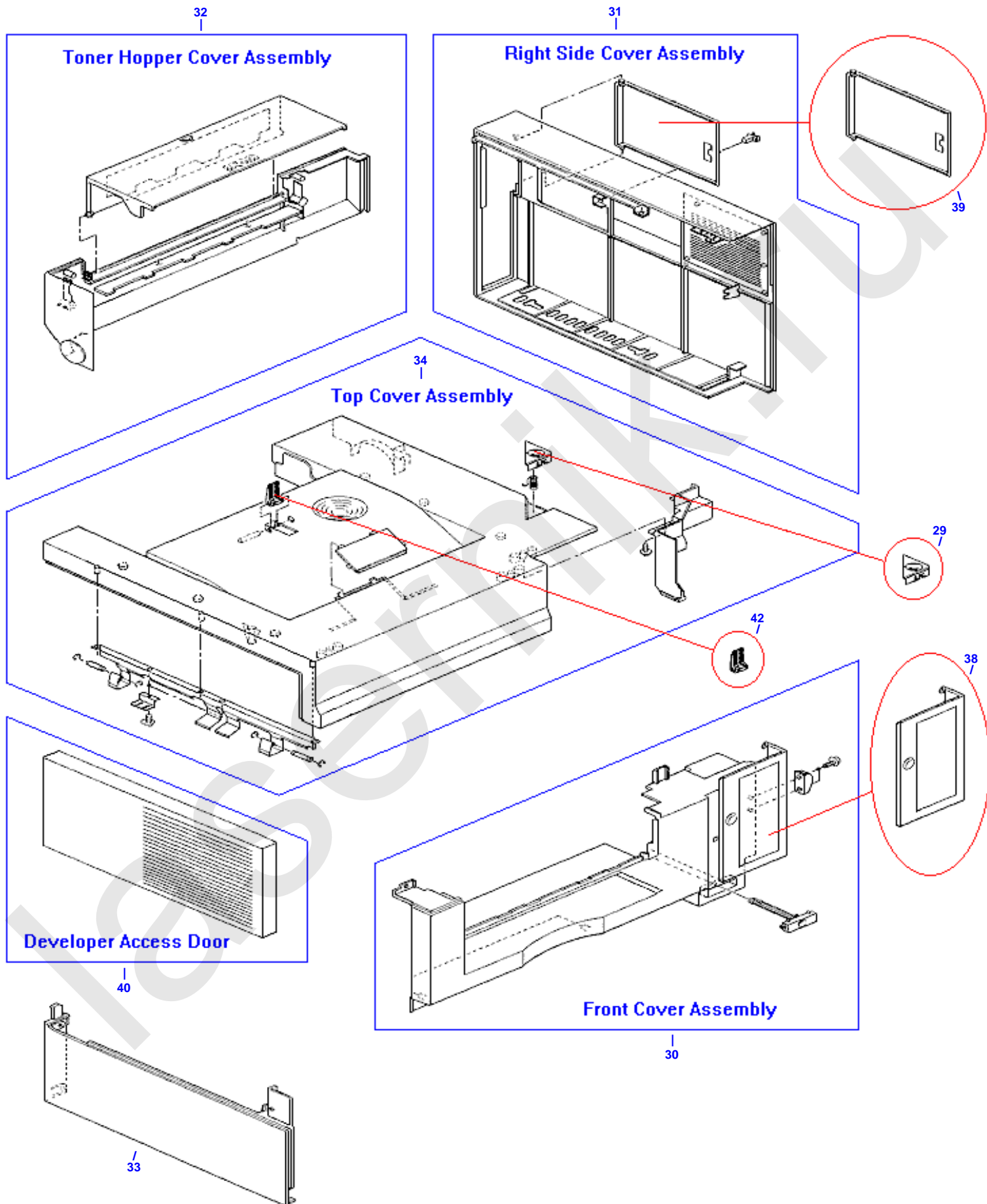
Developer Power Supply Assembly



Developer Pressure Springs

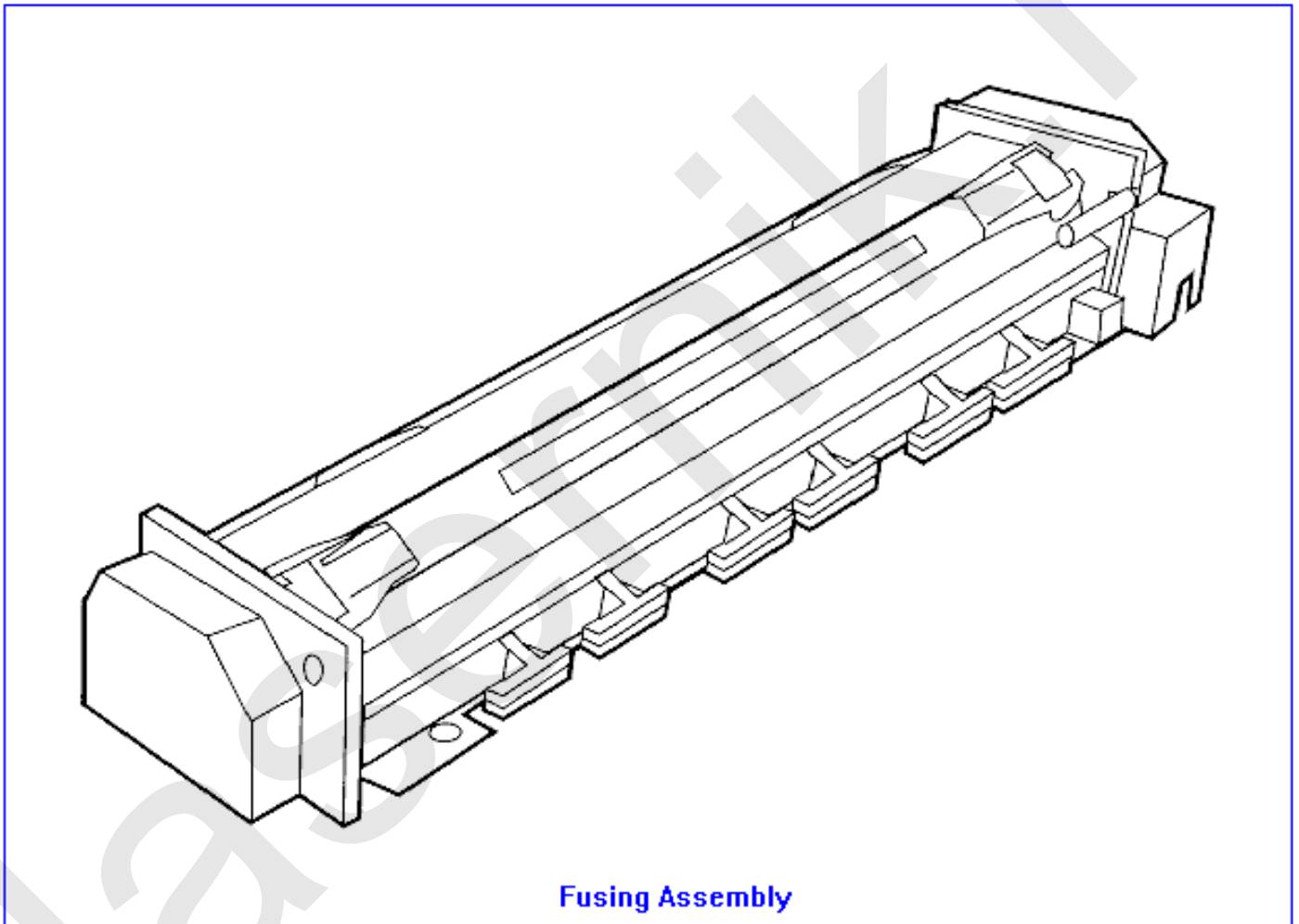


External Covers

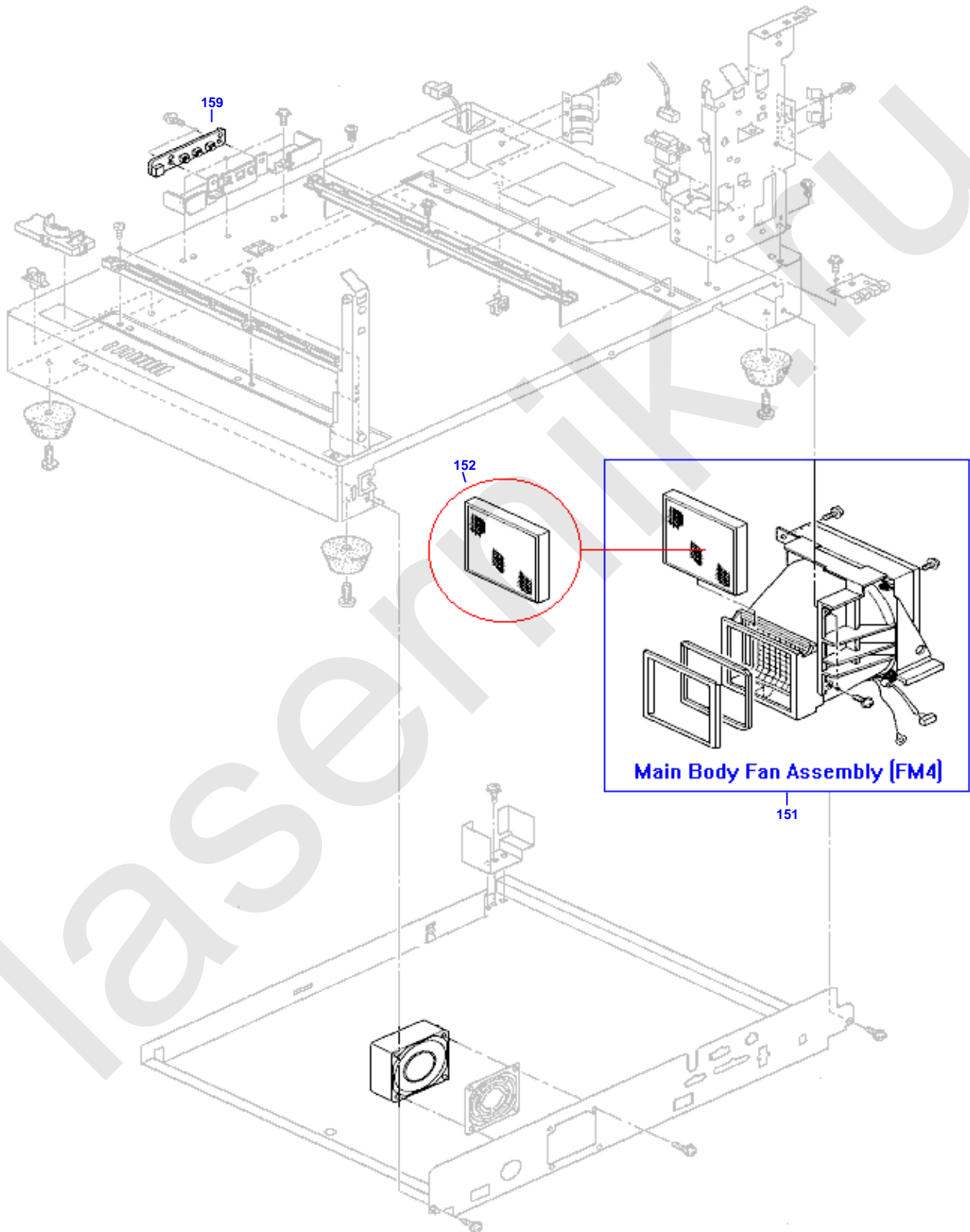




**Fusing Assembly**

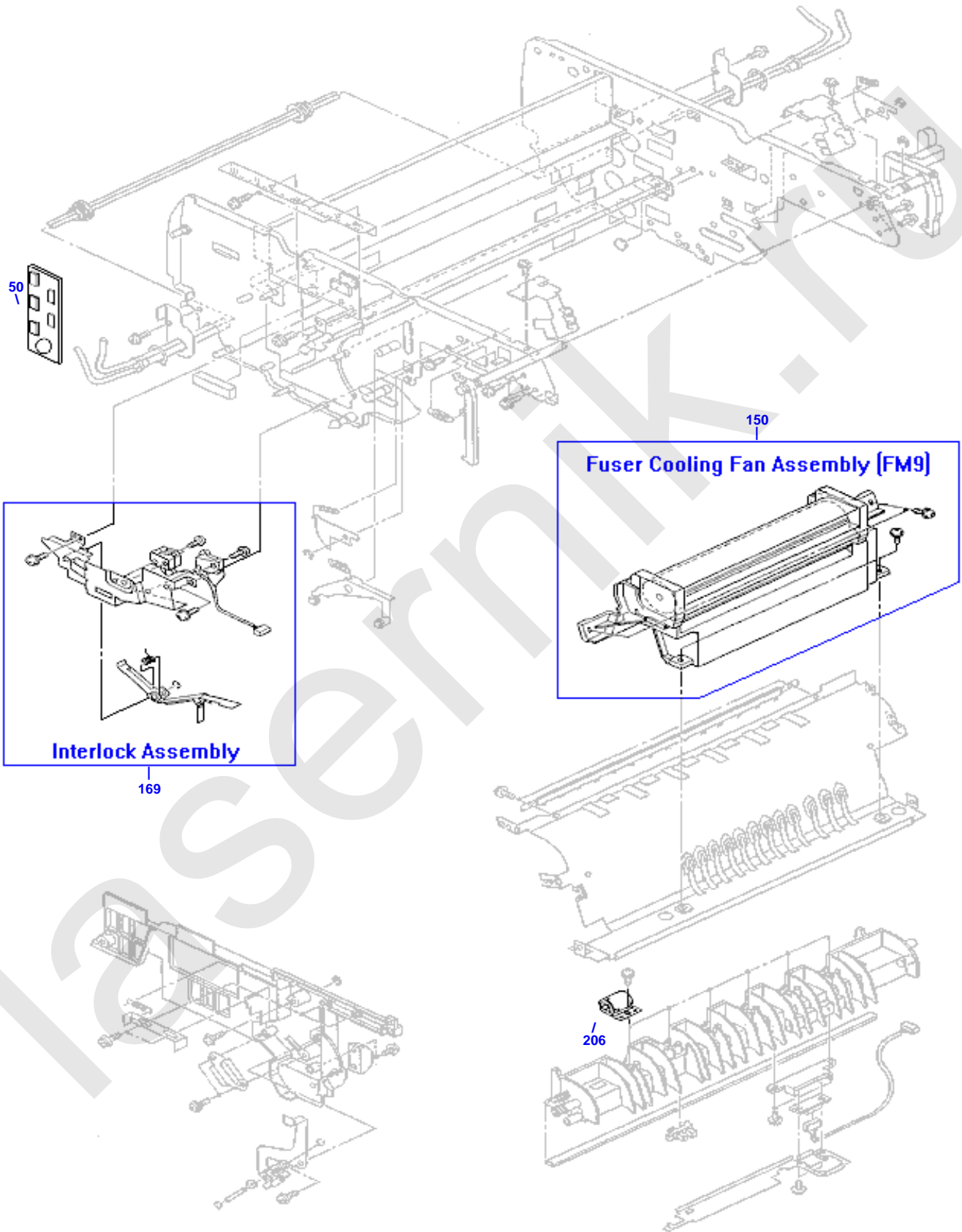


44, 45, 46

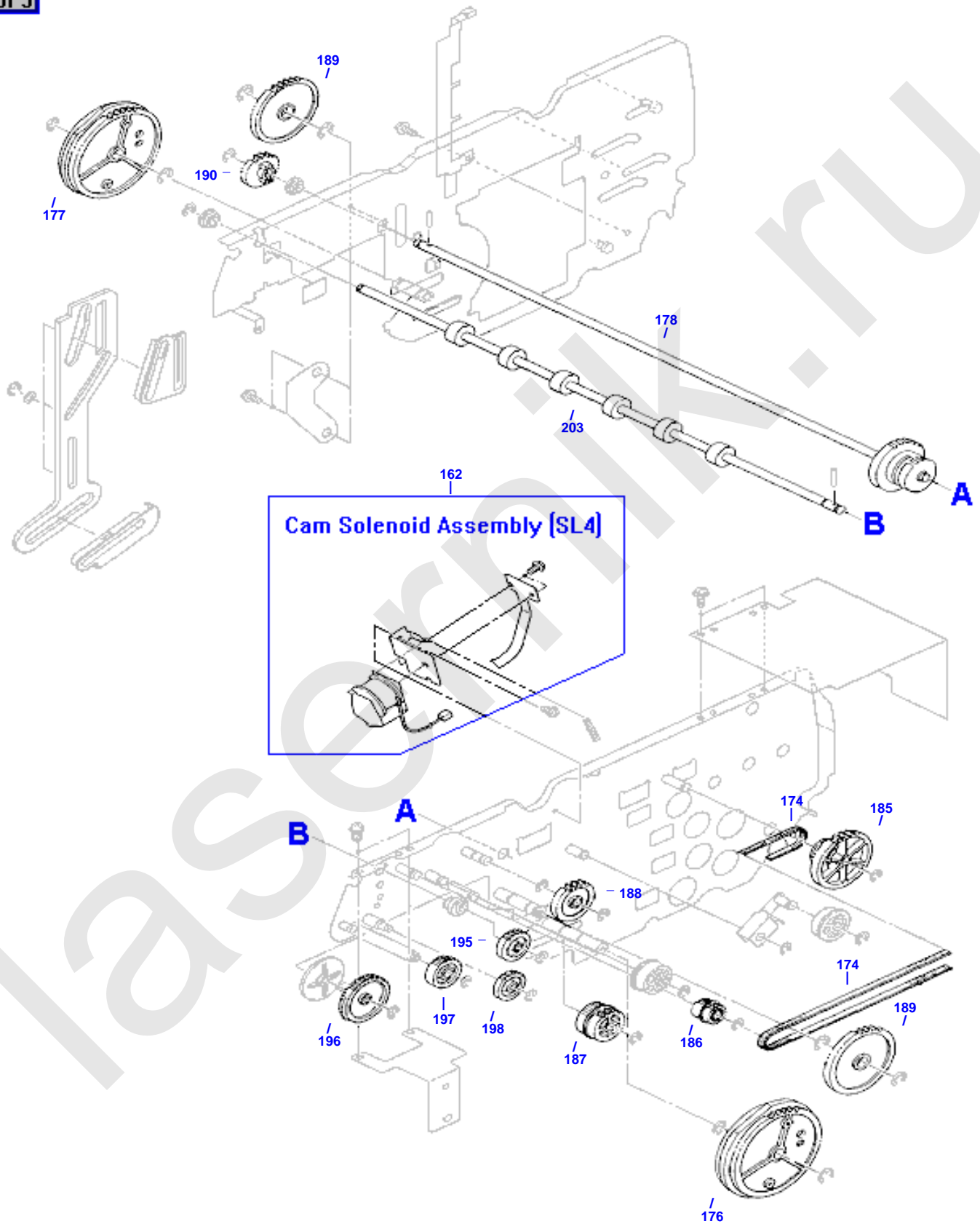


← 1 of 3

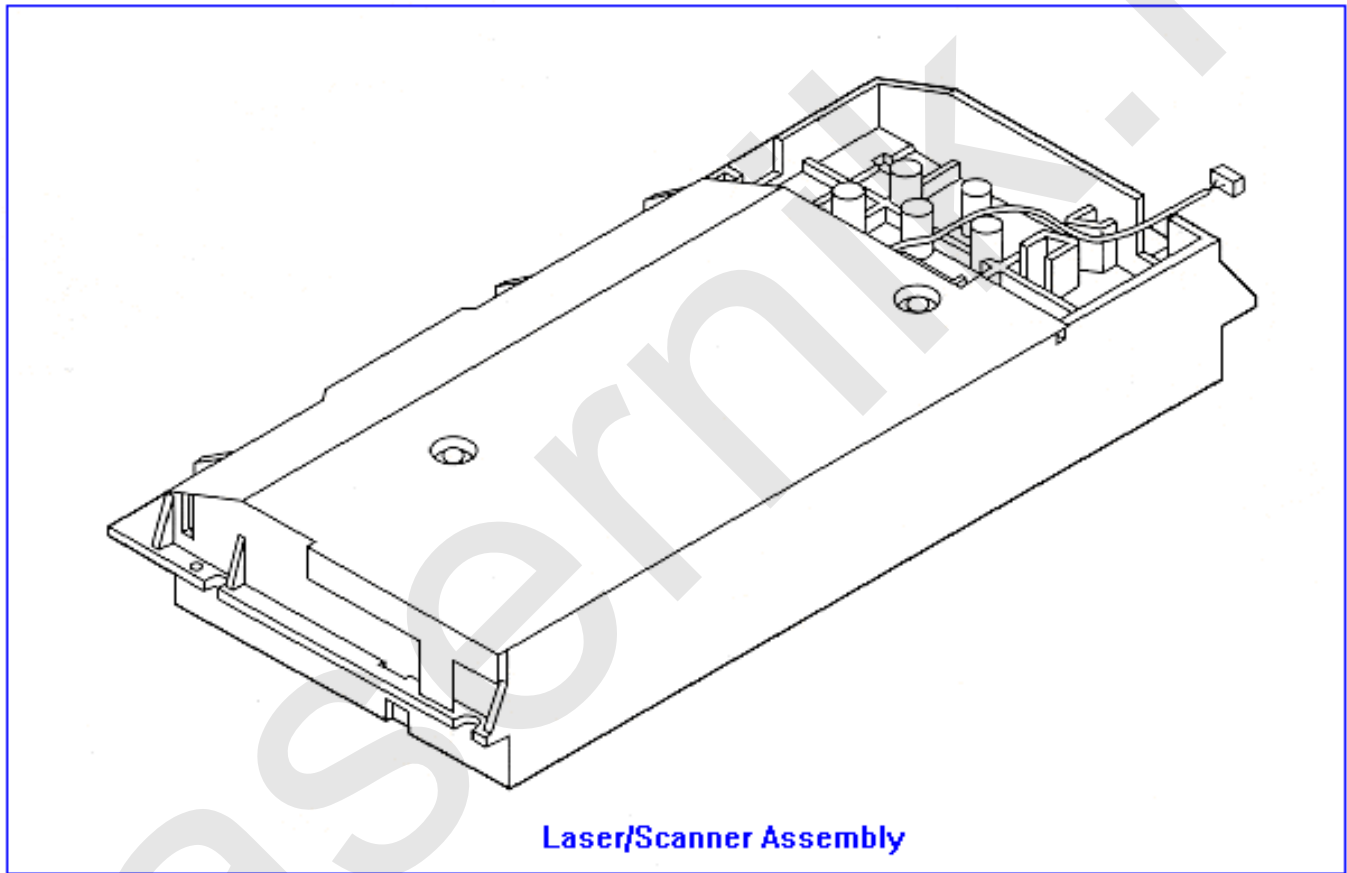
3 of 3 →



← 2 of 3



Laser/Scanner Assembly

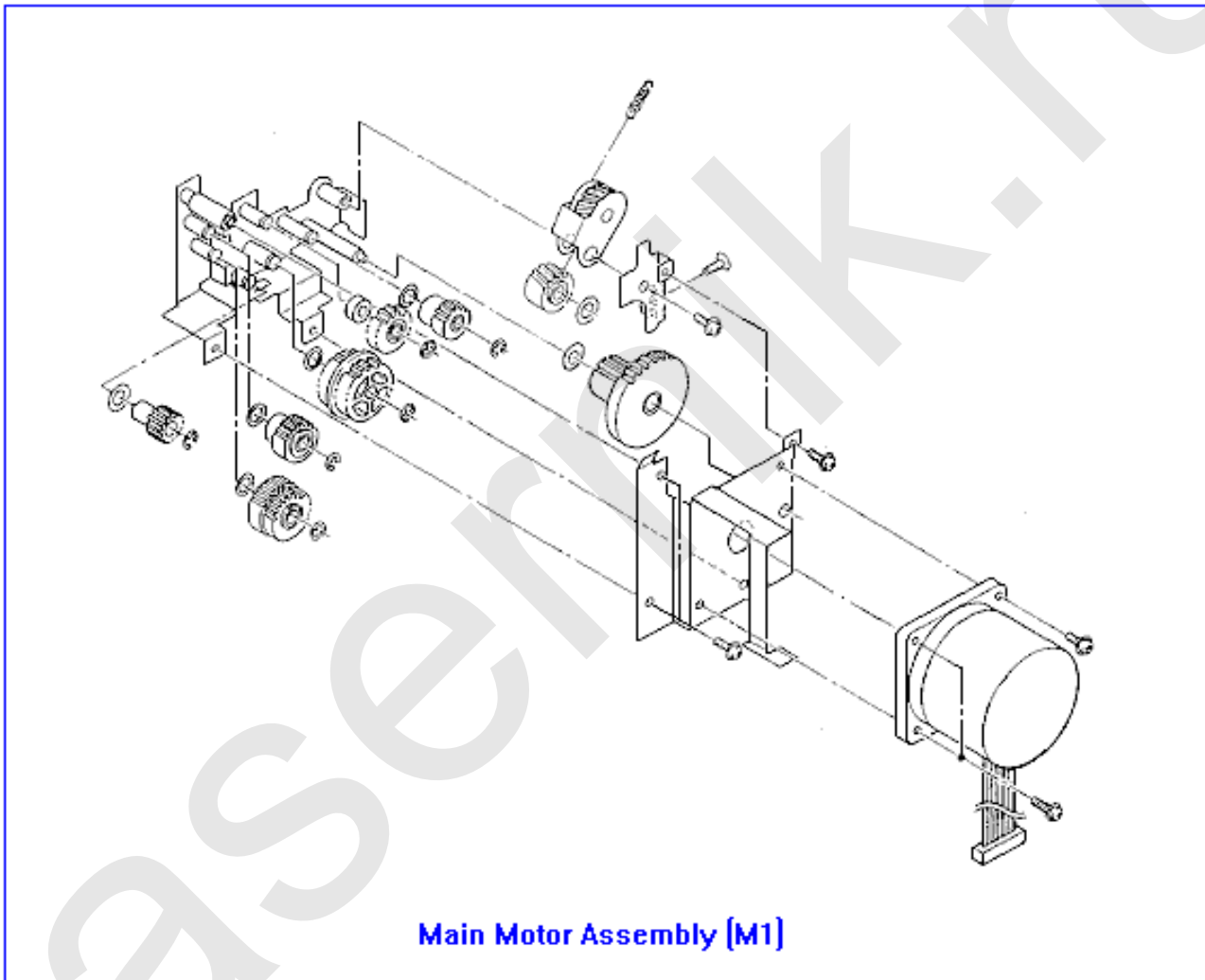


Laser/Scanner Assembly

153

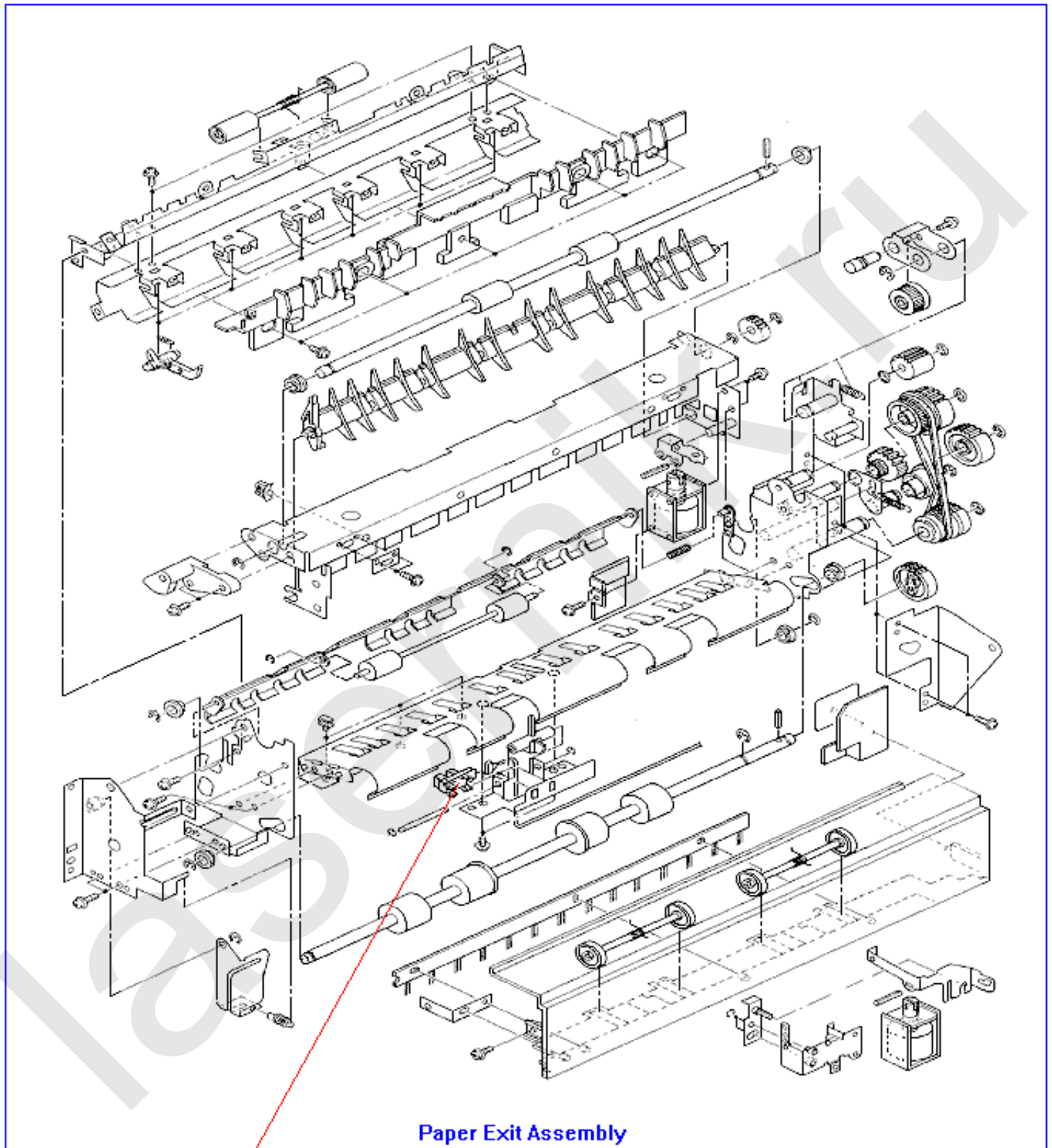


Main Motor Assembly

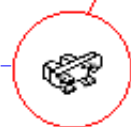


**Main Motor Assembly (M1)**

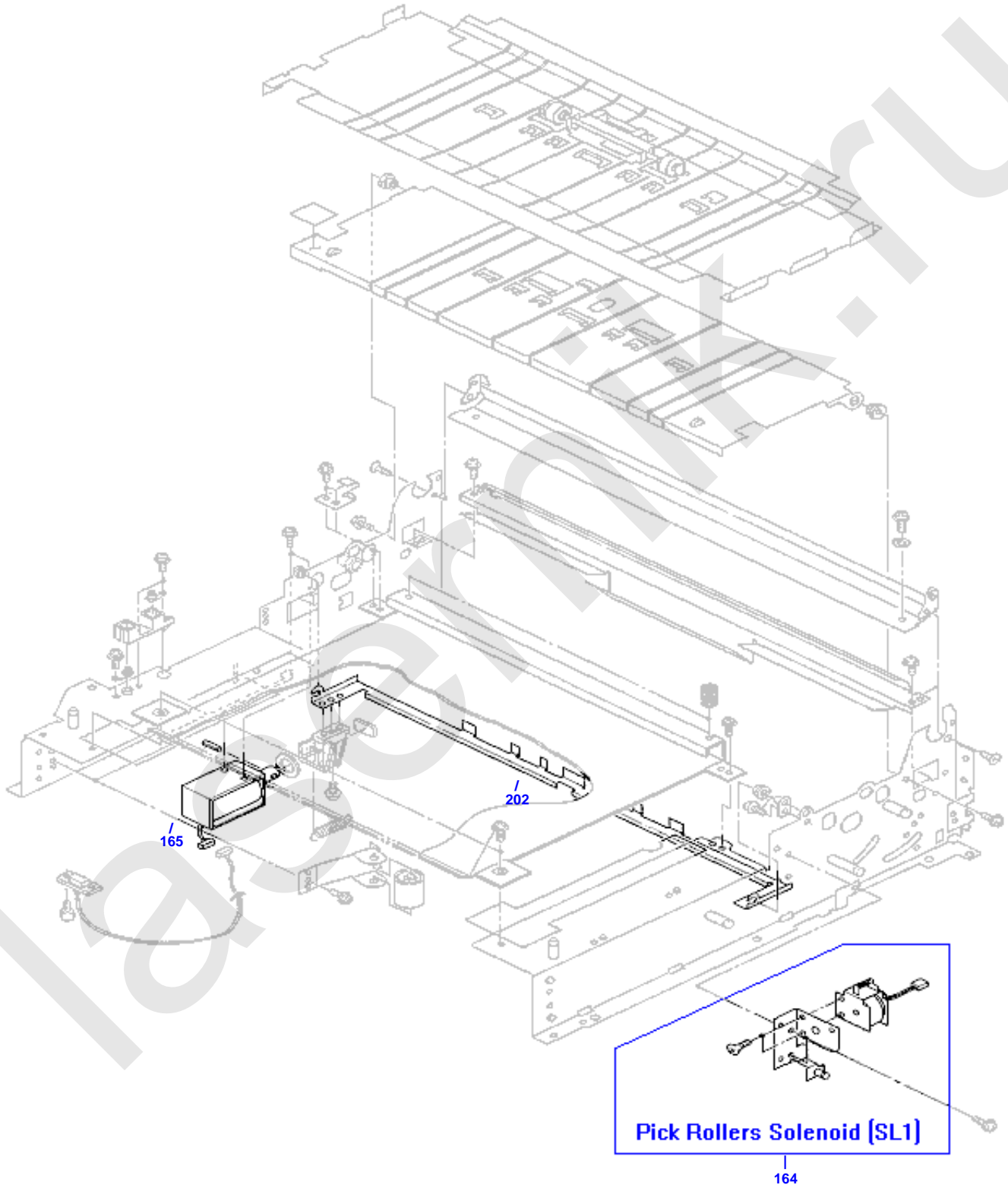
Paper Exit Assembly



160, 208

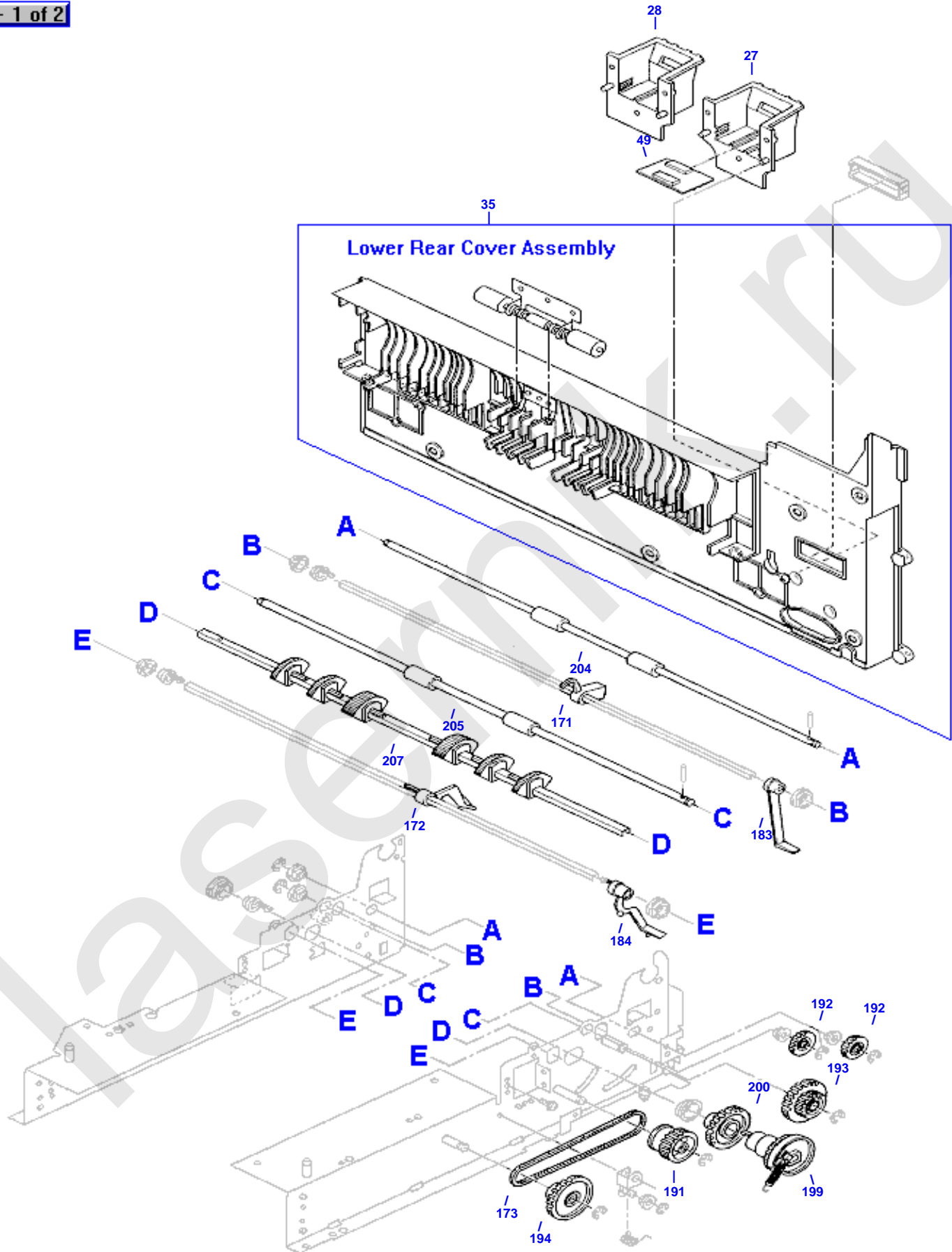


201



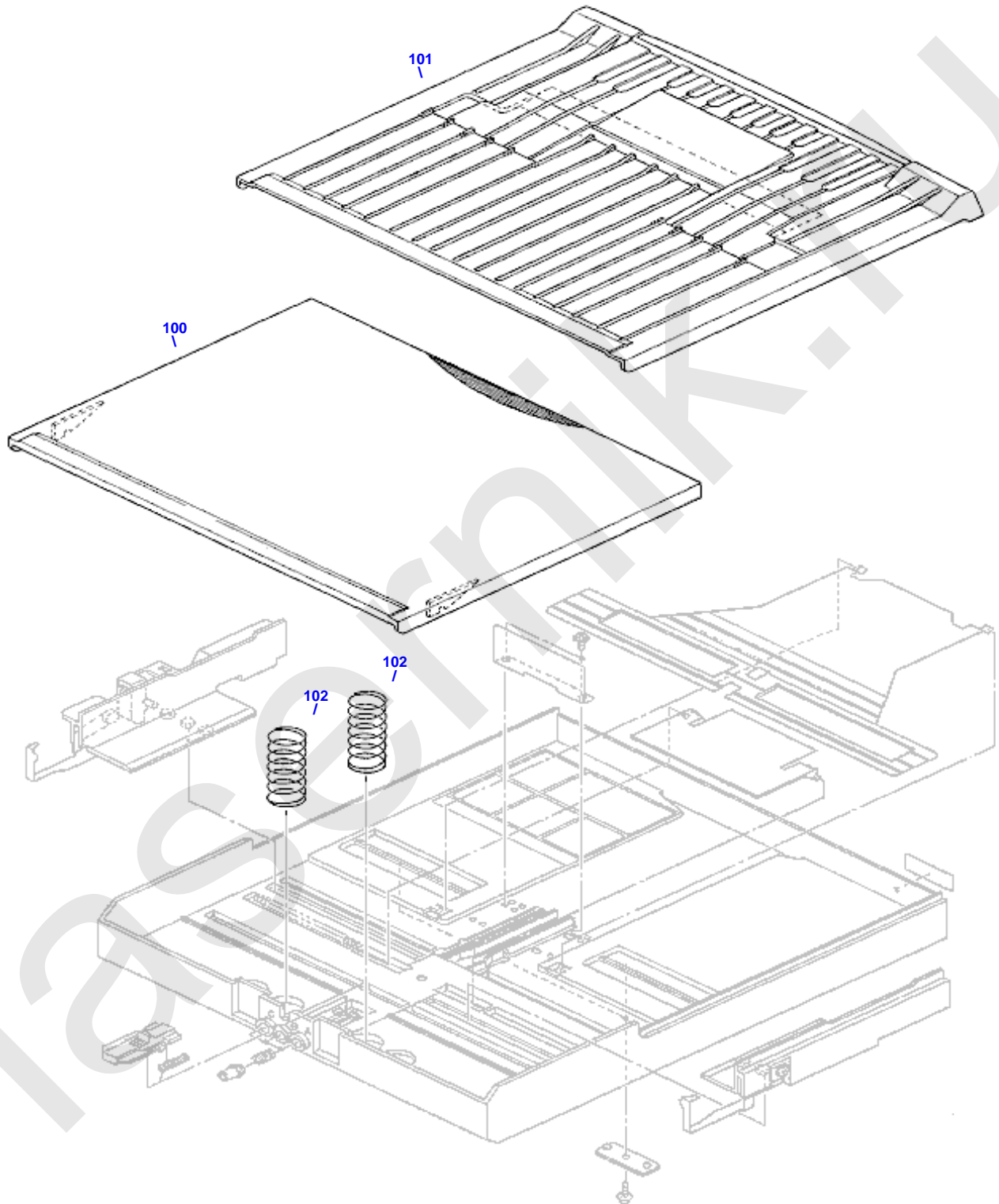
**Paper Feed Assembly (2 of 2)**

← 1 of 2

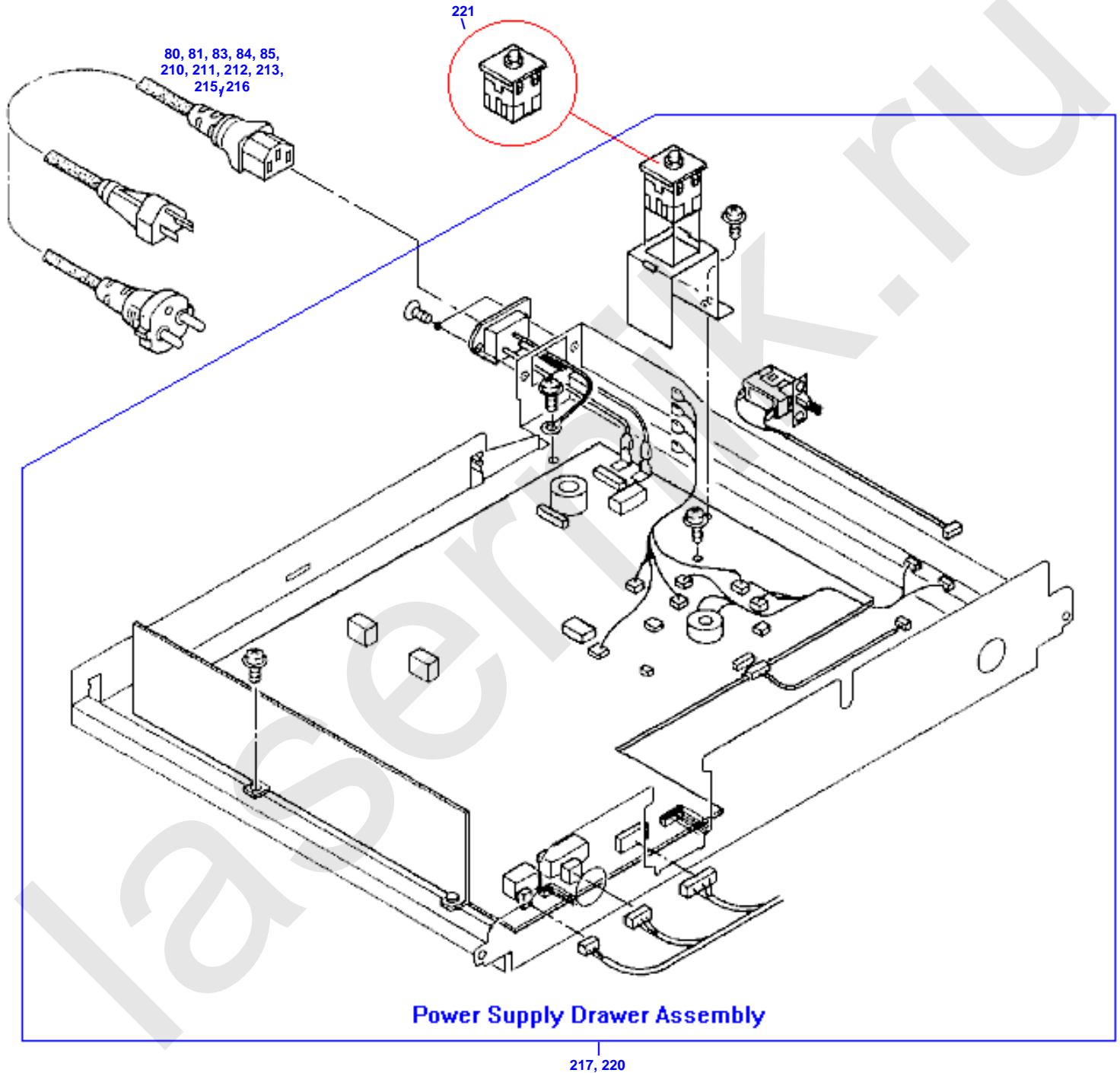


Paper Tray Assembly

 Paper Tray Assembly - 103, 104, 105, 106, 107, 108

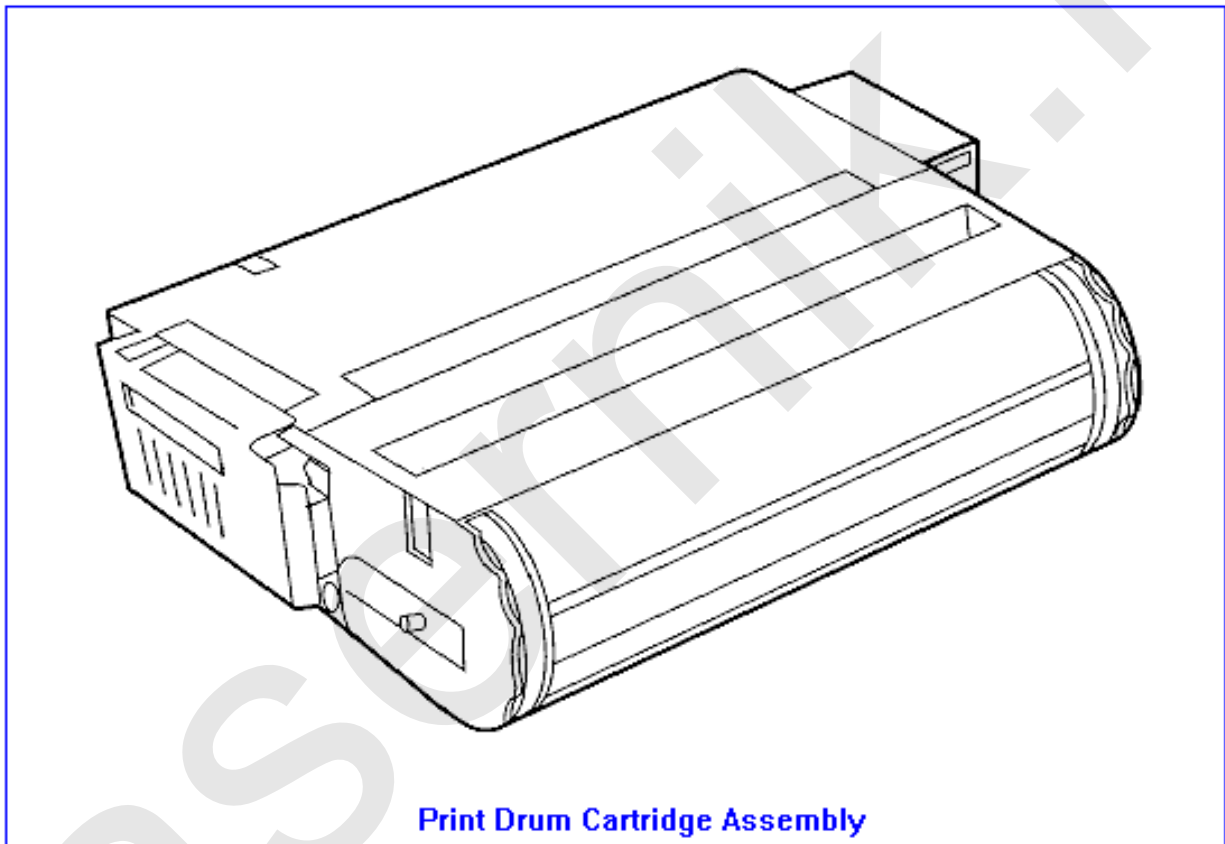


Power Supply Drawer Assembly





Print Drum Cartridge Assembly



Print Drum Cartridge Assembly

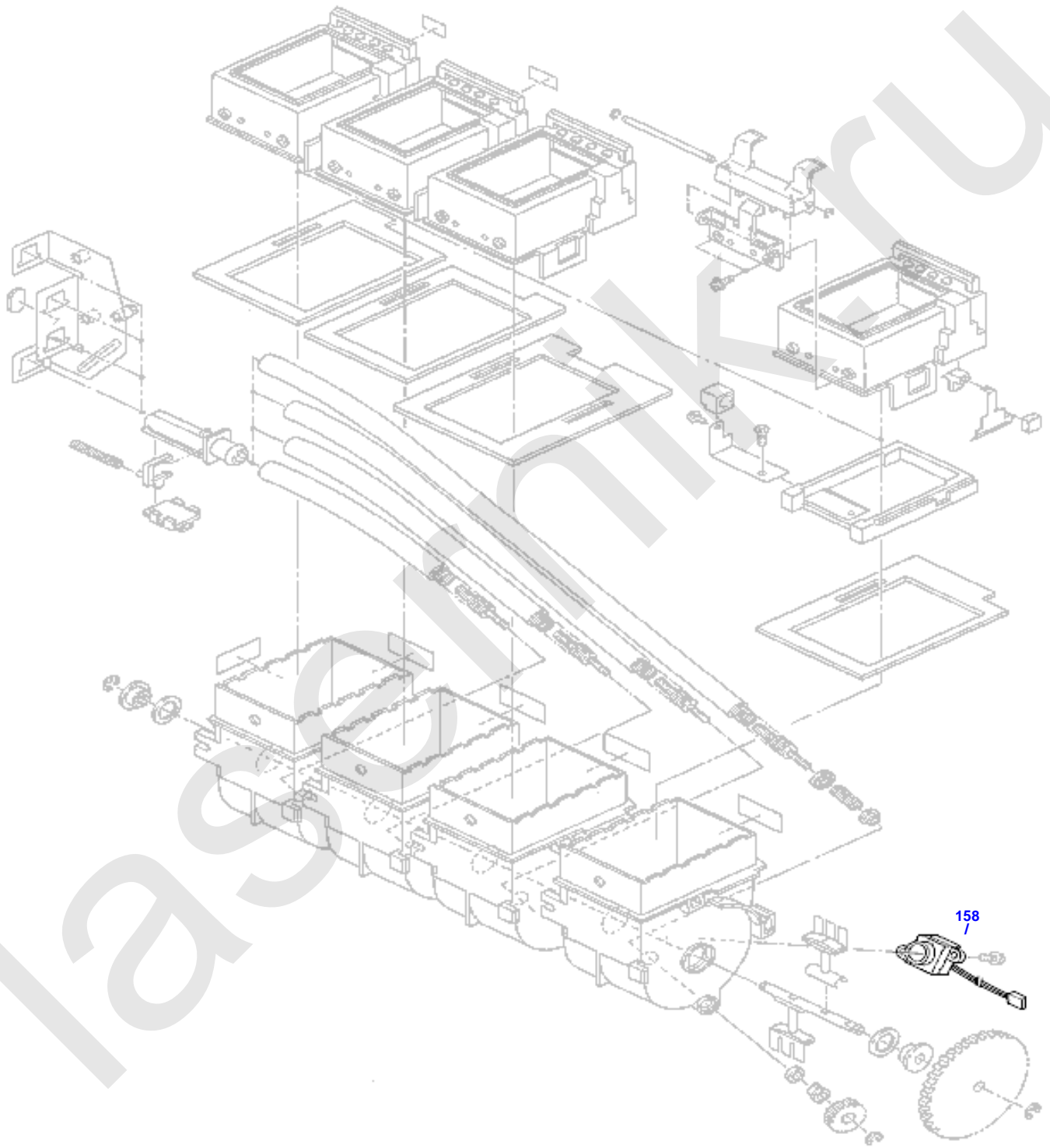
113, 182



Toner Hopper Assembly (1 of 2)

 Toner Hopper Assembly - 170

2 of 2 →



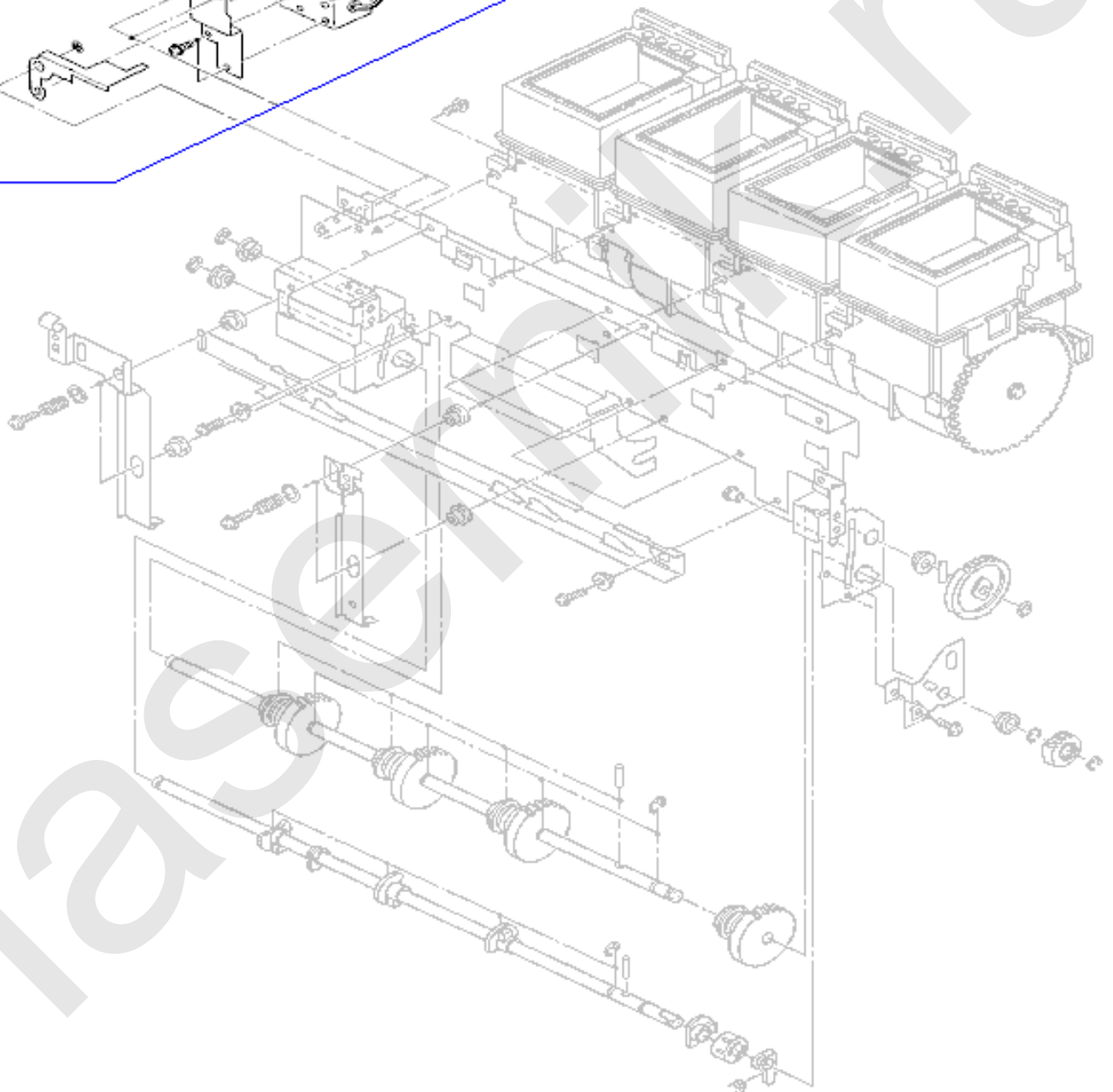
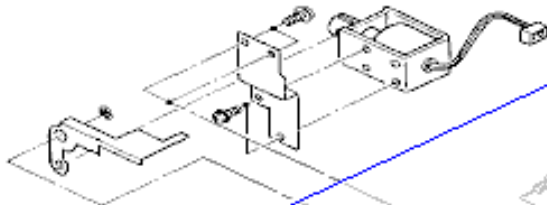
Toner Hopper Assembly (2 of 2)

← 1 of 2

■ Toner Hopper Assembly - 170

163

Toner Supply Solenoid Assembly (SL6)



**HP Parts Reference Guide**

<http://www.hp.com/go/parts>

**HP PartSurfer**

<http://partsurfer.hp.com>

**HP Parts Ordering Information**

<http://www.hp.com/go/hpparts>

**HP Parts Questions/Comments**

<http://partsurfer.hp.com/contactus.htm>

laser.nik.ru