

500 Sheet Feeder Assembly**Tray Assembly**

C9664-67901 Optional 500 sheet paper feeder and Tray 3 paper feeder assembly

500 Sheet Tray**Arm**

2 RB2-8349-000CN Paper size arm - Senses paper size in paper tray - 3 used

Pad

3 RF5-3750-020CN Tray 2 separation pad

Plate

RF5-3749-000CN Separation plate for Tray 2 - Black plastic T shape with friction pad

Roller

5 RG9-1529-000CN Pickup roller for multi-purpose tray/Tray 1 - Mounts in top/front of Tray 2

Tray

6 RG1-4140-080CN 500 sheet paper feeder paper cassette - Optional 500 sheet feeder paper tray

Tray Assembly

7 RG5-6476-090CN Tray 2 paper cassette assembly

Accessories**Cable (Interface)**

92215N Interface cable kit - For HP peripherals designed for use in an AppleTalk/Phonenet network - Not for Macintosh models that have recessed I/O connectors

92215S RS-422 serial cable - 8 pin (M) to 8 pin (M) - 2.0m (6.6ft) long - For connecting Apple Macintosh with LocalTalk/serial connector

C2946A IEEE-1284 Bi-Tronics parallel cable - DB-25 (M) connector (type A) to 36 pin high density IEEE-1284C (M) connector (type C) - 3.0m (9.8ft) long

Cartridge

C9720-67901 Black toner cartridge - For the LaserJet 46XX series

C9720-67902 Black toner cartridge - For the LaserJet 46XX series - For sale in Europe ONLY

C9720A Black toner cartridge - For the LaserJet 4600 series

C9721-67901 Cyan toner cartridge - For the LaserJet 46XX series

C9721-67902 Cyan toner cartridge - For the LaserJet 46XX series - For sale in Europe ONLY

C9721A Cyan toner cartridge - For the LaserJet 4600 series

C9722-67901 Yellow toner cartridge - For the LaserJet 46XX series

C9722-67902 Yellow toner cartridge - For the LaserJet 46XX series - For sale in Europe ONLY

C9722A Yellow toner cartridge - For the LaserJet 4600 series

C9723-67901 Magenta toner cartridge - For the LaserJet 46XX series

C9723-67902 Magenta toner cartridge - For the LaserJet 46XX series - For sale in Europe ONLY

C9723A Magenta toner cartridge - For the LaserJet 4600 series

Cleaning Supplies

5090-3379 Toner cleaning cloth - Specially treated cloth for absorbing toner (1 per package) - Ideal for cleaning up toner spills

Film (Transparency)

C2934A Color LaserJet transparency film - A size (8.5 x 11-inches) - 50 sheets per box

C2936A Color LaserJet transparency film - A4 size (21.0cm x 29.7cm) - 50 sheets per box

Fusing Assembly

C9725A Image fuser assembly - Bonds toner to paper with heat - For 100 to 127VAC operation

C9726A Image fuser assembly - Bonds toner to paper with heat - For 220 to 240VAC operation

IR Assembly

C4103A HP FIR pod - Fast Infrared Connection pod

Accessories
Interface (Product)

J3110A	Ethernet 10Base-T (RJ-45) EIO network internal print server PC board
J3111A	Ethernet 10Base-T/10Base2 and LocalTalk (RJ-45, BNC, LocalTalk) EIO network PCA
J3258B	External JetDirect 170X LAN interface module - Interfaces a parallel printer to an ethernet 10Base-T (RJ-45) LAN
J3263A	External JetDirect 300X LAN interface module - Interfaces a parallel printer to an ethernet 10Base-T (RJ-45) or 100Base-TX (RJ-45) LAN
J3264A	External JetDirect 500X token ring interface module - Interfaces up to 3 parallel printers to a token ring (DB-9 or RJ-45) LAN
J3265A	External JetDirect 500X LAN interface module - Interfaces up to 3 parallel printers to an ethernet 10Base-T (RJ-45), 10Base2 (BNC), or 100Base-TX (RJ-45) LAN
J4135A	JetDirect connectivity card - Has one USB port, one serial (DB9) port and one LocalTalk port - Plugs in the EIO slot on selected DesignJet and LaserJet printers
J4167A	JetDirect 610N token ring LAN interface board - DB-9 and RJ-45 connectors
J6057A	JetDirect 615N internal print server (10Base-T and 100Base-TX) LAN interface board - Plugs into peripheral EIO slot - Has a RJ-45 connector - Comes with software on CD-ROM and manual
J6057AR	JetDirect 615N internal print server (10Base-T and 100Base-TX) LAN interface board - Plugs into peripheral EIO slot - Has a RJ-45 connector - Comes with software on CD-ROM and manual
J6058A	JetDirect 680N internal wireless IEEE-802.11b (Wi-Fi) print server - Plugs into peripheral EIO slot

Manual

C9660-90901	Color LaserJet 4600 family service manual - English
-------------	---

Memory (Product)

C7848A	64MB, 168-pin SDRAM DIMM memory module
C7850A	128MB, 168-pin SDRAM DIMM memory module
C9653A	256MB, 168-pin SDRAM DIMM memory module

Module (Product)

J4101B	External JetDirect LAN interface module with EtherTwist (10Base-T/Base-TX) connector
J4102B	External JetDirect LAN interface module with EtherTwist (10Base-T) connector

PC Board (Interface)

J4135-61001	JetDirect connectivity card - Has one USB port, one serial (DB9) port and one LocalTalk port
-------------	--

Paper

Q1298A	LaserJet Satin finish tough paper - A size (8.5 x 11-inches) - Will not tear and will withstand outdoor weather conditions - Can print on both sides
Q1298B	LaserJet Satin finish tough paper - A4 size (21.0cm x 29.7cm) - Will not tear and will withstand outdoor weather conditions - Can print on both sides - 50 sheets per box

Paper (Glossy)

C4179A	Soft gloss color LaserJet paper - A size (8.5 x 11-inches) - 200 sheets per package
--------	---

External Case Parts
Control Panel

C9660-69007	Control panel assembly - 100/127 volt
RG5-6432-040CN	<i>New Part for C9660-69007</i>

Cover

51	RB2-8590-000CN	Left cover - Left side of printer cover
52	RB2-8591-000CN	Side cover - Right side of printer cover
53	RB2-8592-000CN	Rear cover - Rear of printer cover
54	RG5-6464-000CN	Rear cover assembly - Lower rear cover of printer
55	RG5-6465-000CN	Top/front printer cover assembly - Lift-up front cover
56	RG5-6466-000CN	Lower front cover assembly - Front of printer that Tray 1 attaches to

Overlay

C9660-40002	Control panel overlay - English
C9660-40003	Control panel overlay - French

External Case Parts**Overlay**

C9660-40004	Control panel overlay - German
C9660-40005	Control panel overlay - Italian
C9660-40006	Control panel overlay - Spanish
C9660-40007	Control panel overlay - Danish
C9660-40008	Control panel overlay - Dutch
C9660-40009	Control panel overlay - Finnish
C9660-40010	Control panel overlay - Norwegian
C9660-40011	Control panel overlay - Portuguese
C9660-40012	Control panel overlay - Swedish
C9660-40013	Control panel overlay - Czech
C9660-40014	Control panel overlay - Hungarian
C9660-40015	Control panel overlay - Polish
C9660-40016	Control panel overlay - Russian
C9660-40017	Control panel overlay - Turkish
C9660-40018	Control panel overlay - Arabic
C9660-40019	Control panel overlay - Greek
C9660-40020	Control panel overlay - Hebrew
C9660-40021	Control panel overlay - Japanese
C9660-40022	Control panel overlay - Korean
C9660-40023	Control panel overlay - Thai
C9660-40024	Control panel overlay - Simplified Chinese
C9660-40025	Control panel overlay - Taiwan

Tray Assembly

81	RG5-6467-000CN	MP/Tray 1 assembly - Front drop-down Multipurpose/Tray 1 assembly
----	----------------	---

Internal Parts**Arm**

82	RB2-8151-020CN	Pressure arm
----	----------------	--------------

Bracket

83	RB2-8540-000CN	Sensor support bracket - Black plastic piece that holds photo sensors PS12 and PS13
----	----------------	---

Button

84	RB2-8250-000CN	Test print arm - External test print button/rod
----	----------------	---

Cable

85	RG5-6413-000CN	Left plate cable
86	RG5-6414-000CN	Relay cable - Connects DC controller to HVPS, interlock switch to DC controller, and Fuser circuit to DC controller
87	RG5-6415-000CN	DC Cable - DC power supply cable
88	RG5-6418-000CN	Antenna cable - Between toner cartridge memory tag and antenna memory PC board - Four used
	RG5-6419-000CN	Paper feeder main cable
90	RG5-6422-000CN	Intraface cable - Connects Formatter board to DC controller board and LVPS to Formatter board
91	RG5-6423-000CN	Sensor cable - Cable for PS12 fuser delivery and PS13 output bin full
92	RG5-6425-000CN	Fuser drawer fusing cable
93	RG5-6427-000CN	AC Cable - Connects AC power supply to fuser power supply - 110 volt AC
	RG5-6430-000CN	Optional feeder and cassette size cable/connector
95	RG5-6434-000CN	AC Cable - Connects AC power supply to fuser power supply - 220 volt AC
96	RH2-5471-000CN	Flat cable - Connects formatter board to DC controller board

Internal Parts**Cam**

97 RS7-0135-000CN 66T Cam/gear - Cam/gear that works with toner gear to open the toner shutters

Contact Assembly

98 RG5-6449-020CN High voltage toner contact assembly - Electrical contacts for toner cartridge - Four used

99 RG5-6492-000CN Contact pin assembly

Control Panel

100 RG5-6432-040CN Control panel assembly - 100/127 volt

101 RG5-6433-040CN Control panel assembly - 220/240volt

Cover

102 RF5-3774-030CN Left side cover of fuser assembly

103 RF5-3775-030CN Right side cover of fuser assembly

Drive Assembly

104 RG1-4138-020CN Paper feeder drive assembly for 500 sheet tray

105 RG5-6504-000CN Drum drive assembly - For magenta and cyan cartridges

106 RG5-6505-000CN Drum drive assembly - For black cartridge

107 RG5-6506-000CN Drum drive assembly - For yellow cartridge

108 RG5-6507-020CN Developer disengagement drive assembly

109 RG5-6512-000CN Fuser drive assembly

Fan

110 RH7-1490-000CN Cartridge fan - Located at left rear corner - Exhausts heat from toner cartridges and fuser assembly - Fan 2

111 RH7-1491-000CN Formatter fan - Exhausts heat from formatter and low voltage power supply - Fan 1

Filter

112 RB2-8596-000CN Air filter on upper left side

113 RB2-8597-000CN Air filter at top rear of printer - Formatter fan air filter

Flag

RB2-8002-000CN Flag lever - Detects when ADF input is empty

Fuse

VD7-0644-001CN Fuse - 250 volt, 4 amp - 220v-240v

VD7-1732-002CN Fuse - 250 volt, 20 amp - 100v-127v

VD7-1838-001CN Fuse - 250 volt, 8 amp

VD7-2356-301CN Fuse - 125 volt, 6.3 amp

Gear

119 RB2-8122-020CN Toner shutter gear - Opens toner shutters when the ETB is closed

120 RS7-0136-020CN Cartridge drive gear - Drives toner cartridge gear - 29 teeth

121 RS7-0137-000CN Large drum drive gear - 200 teeth - Used with magenta and cyan drum drives

122 RS7-0138-000CN Large drum drive gear - 200 teeth - Used with black and yellow drum drives

123 RS7-0139-000CN Disengagement plate gear - Drives developer disengagement plate

Guide

124 RB2-8147-000CN Cartridge guide - Upper right side toner cartridge guides - For black and magenta cartridges

Hinge

125 RG5-6446-000CN Top cover hinge assembly - Top cover damper assembly

Interlock

126 RB2-8225-000CN Drum drive interlock plate

LED

127 RG5-6394-000CN LED PC Board - The LED PC Board assembly that performs the function called primary exposure - Erases the latent image off each drum in drum drive assembly

Internal Parts
Lever

128 RB2-8195-000CN Cartridge pressure lever

Motor

129 RH7-1495-000CN 24 VDC brushless motor
RH7-1605-000CN New Part for RH7-1495-000CN

Paper Pick-Up

C9660-69008 Paper pickup assembly - Tray 2 paper pickup assembly
RG5-6468-040CN New Part for C9660-69008
 131 RG5-6469-000CN Paper pickup drive assembly - Tray 2 paper pickup drive assembly

Plate

132 RB2-8255-000CN Grounding plate - Provides ground for developer units

Rod

133 RB2-8213-000CN Spring rod - Provides mechanical link for spring pressure to assist opening Tray1/MP tray - Two used
 134 RB2-8239-030CN Developer disengagement plate - Mechanical link that disengages developer from drum

Sensor

135 WG8-5362-000CN Optical sensor

Sensor Mechanism

136 RG5-6454-000CN Sensor assembly - Color registration detection assembly - Color sensor for DC controller

Sideplate

137 RG5-6450-000CN Cartridge inlet assembly - Black plastic piece on right front side

Socket

138 RB2-8121-000CN ETB socket - Socket that left side of ETB fits into
 139 RB2-8124-000CN ETB socket - Socket that right side of ETB fits into

Solenoid

140 RH7-5319-000CN Paper pickup drive assembly solenoid - 2 used

Spring

141 RB2-8246-000CN Laser scanner support spring - Supports laser scanner module - Three used
 142 RS6-2510-000CN Pressure gear spring - Provides tension for cam gear on left side
 143 RS6-2511-000CN Tension spring
 144 RS6-2537-000CN Tension spring - Provides tension for developer disengagement plate

Static Dissipater

145 RF5-3773-020CN Static eliminator

Strap

146 RG5-6474-000CN Drum ground assembly - Chassis to toner cartridge ground strap that goes across the large gear - Used on the Black and Yellow toner cartridges
 147 RG5-6475-000CN Drum ground assembly - Chassis to toner cartridge ground strap that goes across the large gear - Used on the Magenta and Cyan toner cartridges

Support

148 RG5-6459-000CN Paper cassette frame - Left side Tray 2 support frame assembly
 149 RG5-6460-000CN Paper cassette frame - Right side Tray 2 support frame assembly
 150 RG5-6510-000CN Control panel crossmember assembly - Supports control panel

Switch

151 WC2-5452-000CN Cassette paper size switch - Senses paper size in paper tray
 152 WC4-5169-000CN Front door micro switch - Front door open switch

Logic/Control Electronics
Memory (DIMM)

C7848-67901 64MB, 168-pin SDRAM DIMM memory module
 C9712-69002 Firmware DIMM
 REQUIRES RETURN OF DEFECTIVE PART
C9712-67911 New Part for C9712-69002

Logic/Control Electronics
PC Board

C9660-67911 Formatter PC Board - For simplex printer only

 C9660-69011 Formatter PC Board - For simplex printer only
 REQUIRES RETURN OF DEFECTIVE PART

 C9660-67911 *New Part for C9660-69011*

157 RG1-4139-000CN Paper feeder controller PC Board for 500 sheet feeder

158 RG5-5469-000CN Antenna PC Board - PC Board antenna for toner cartridge memory tag - Four used

159 RG5-6391-100CN DC controller PC board

160 RG5-6392-000CN Paper pickup sensor PC Board - Small board with four sensors on right side of bottom paper pickup assembly

161 RG5-6396-000CN Memory controller PC Board - Between DC controller and toner antenna

Power Supply

162 RG5-6395-000CN High voltage power supply PC Board

163 RG5-6399-030CN Fuser power supply PC Board - 100/127 volts

164 RG5-6400-030CN Fuser power supply PC Board - 220/240 volt

165 RG5-6410-020CN Low voltage power supply PC Board - 100/127 VAC 60Hz

166 RG5-6411-020CN Low voltage power supply PC Board - 220/240VAC

Sensor

167 RG5-6393-000CN Toner sensor PC Board - Small vertical board on right side of toner cartridges

Paper Path Parts
Belt

C9724A HP LaserJet 4600 Image Transfer - Electrostatic transfer belt assembly with cleaning cloth

169 RG5-6484-070CN HP LaserJet 4600 Image Transfer Belt - Electrostatic transfer belt assembly with cleaning cloth

Flag

170 RB2-8498-030CN Paper sensor flag in fuser assembly

Fusing Assembly

171 C9660-69010 Image fuser assembly - Bonds toner to paper with heat - For 220 to 240VAC operation

 C9660-69017 *New Part for C9660-69010*

 172 C9660-69016 Image fuser assembly - Bonds toner to paper with heat - For 100 to 127VAC operation
 REQUIRES RETURN OF DEFECTIVE PART

 RG5-6493-110CN *New Part for C9660-69016*

RG5-6517-110CN HP LaserJet 4600 Fuser - Fuser assembly - 220V

Laser/Scanner

174 RG5-6390-000CN Laser/scanner assembly - Separate scanner used for each toner cartridge

Paper Pick-Up

175 RG5-6468-040CN Paper pickup assembly - Tray 2 paper pickup assembly

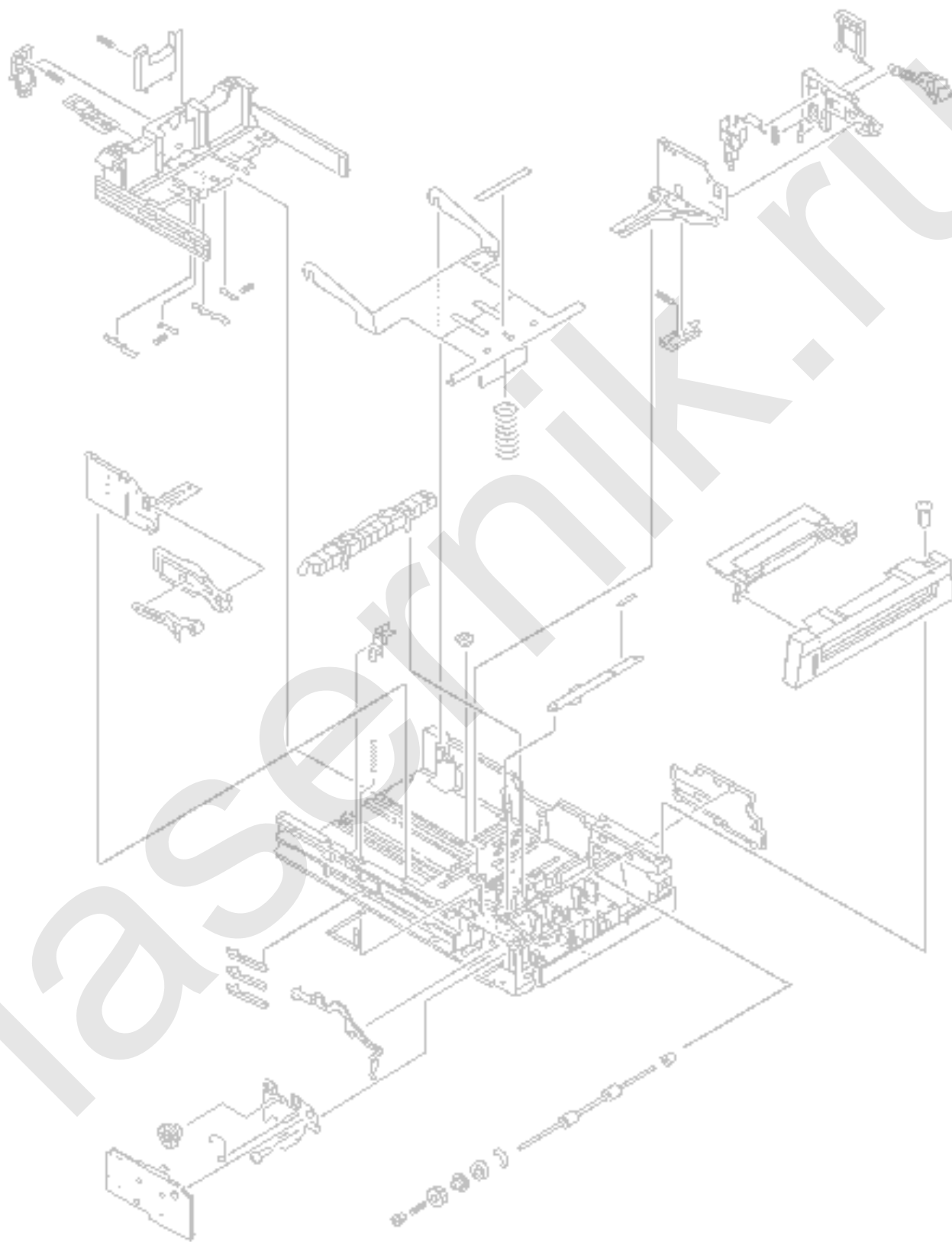
Roller

176 RB1-2155-000CN Oblique roller - Right side of ETB - 2 used

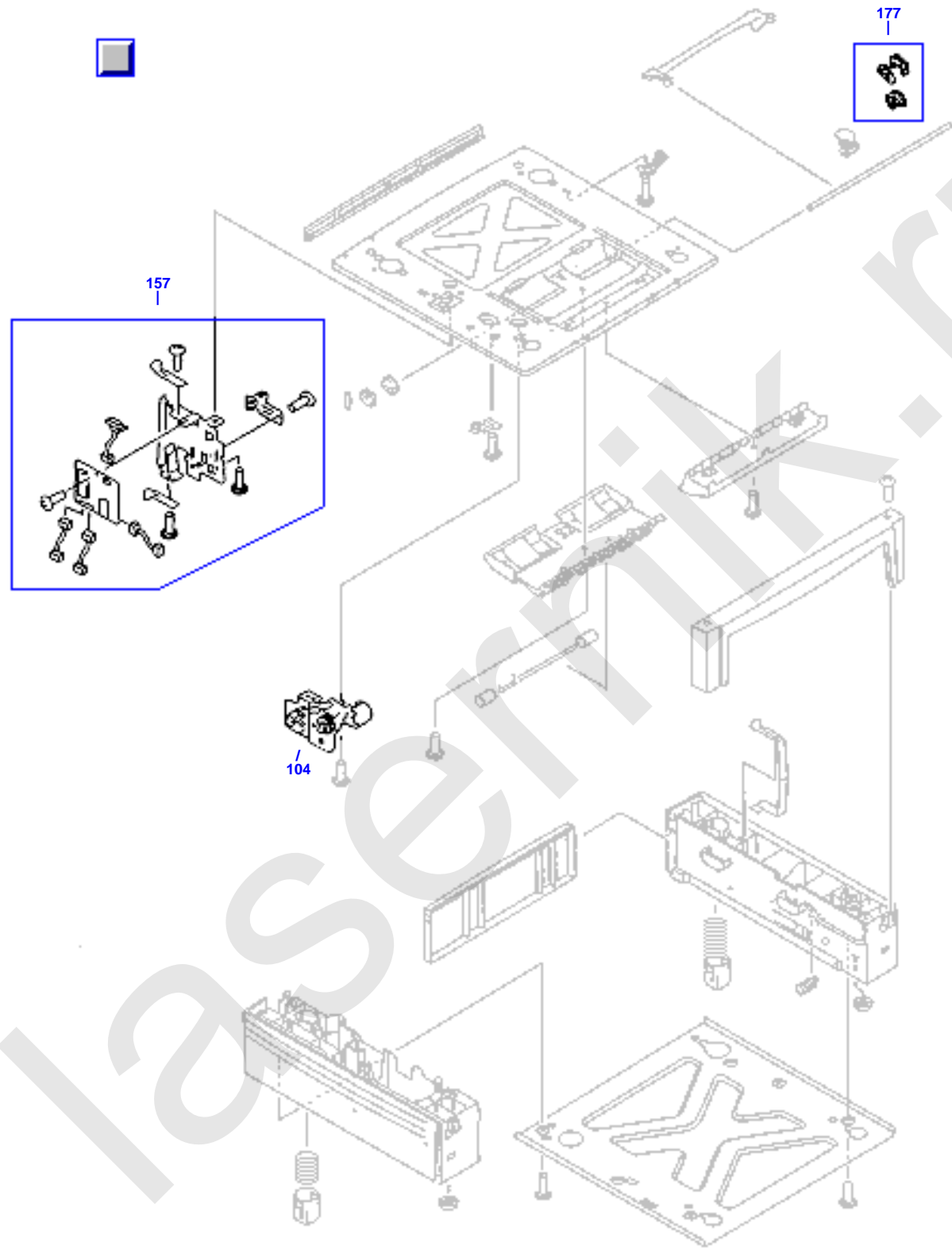
177 RF5-3739-000CN Paper pickup roller for Tray 2 - White plastic with black friction pad

500 Sheet Cassette

6-  **500 Sheet Paper Feeder Cassette**

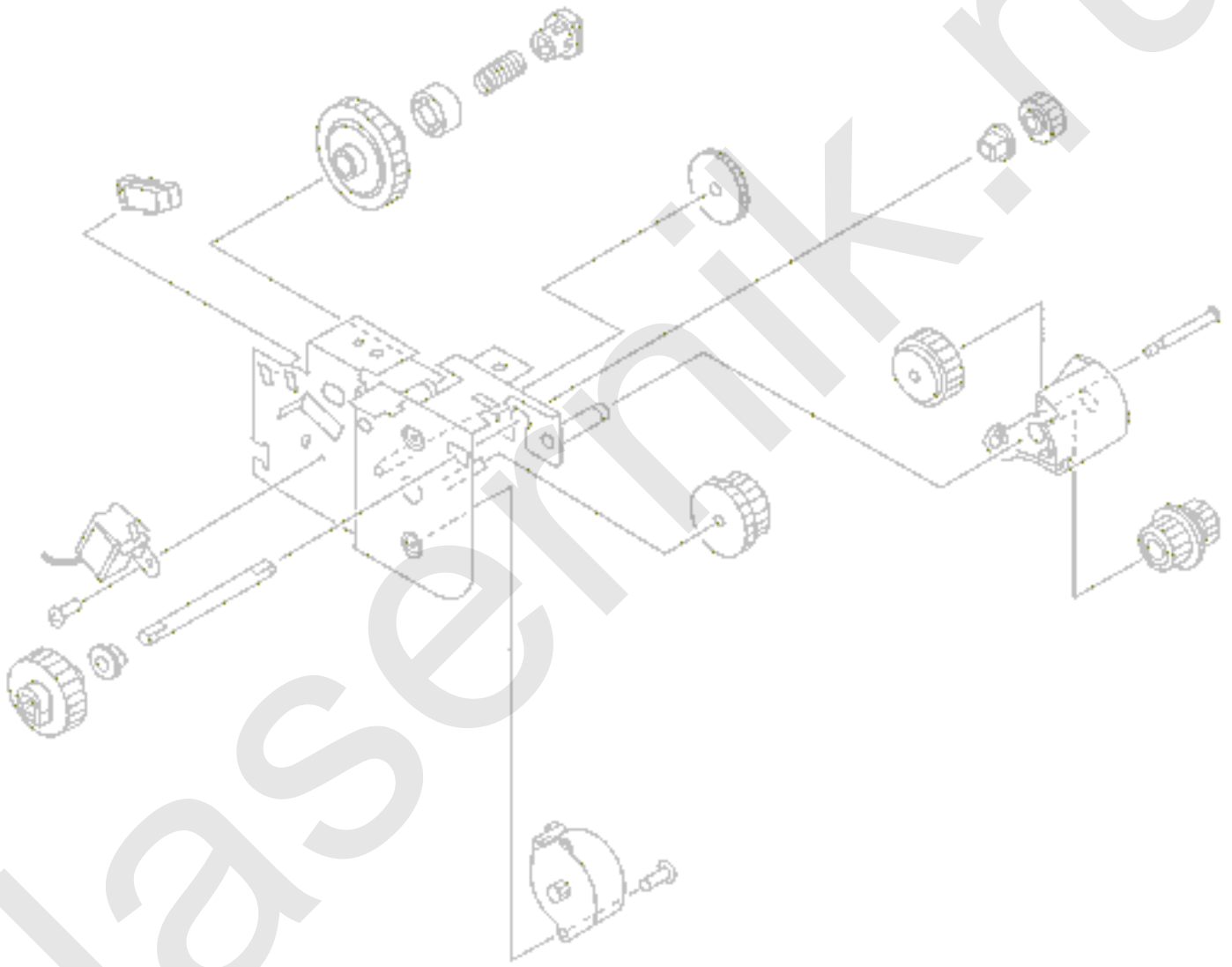


500 Sheet Paper Feeder



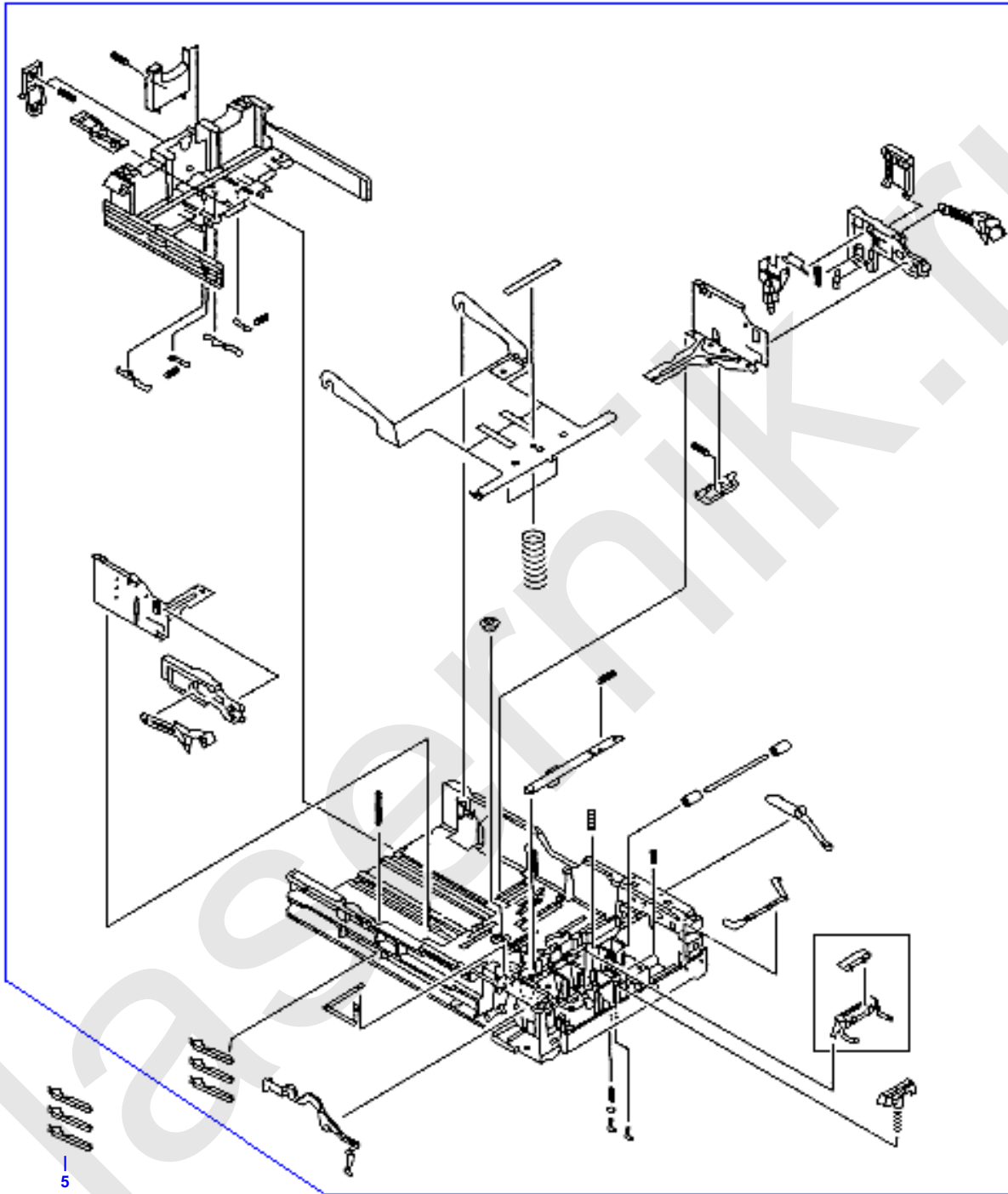
500 Sheet Paper Feeder Drive Assembly

104 -  Paper Feeder Drive Assembly



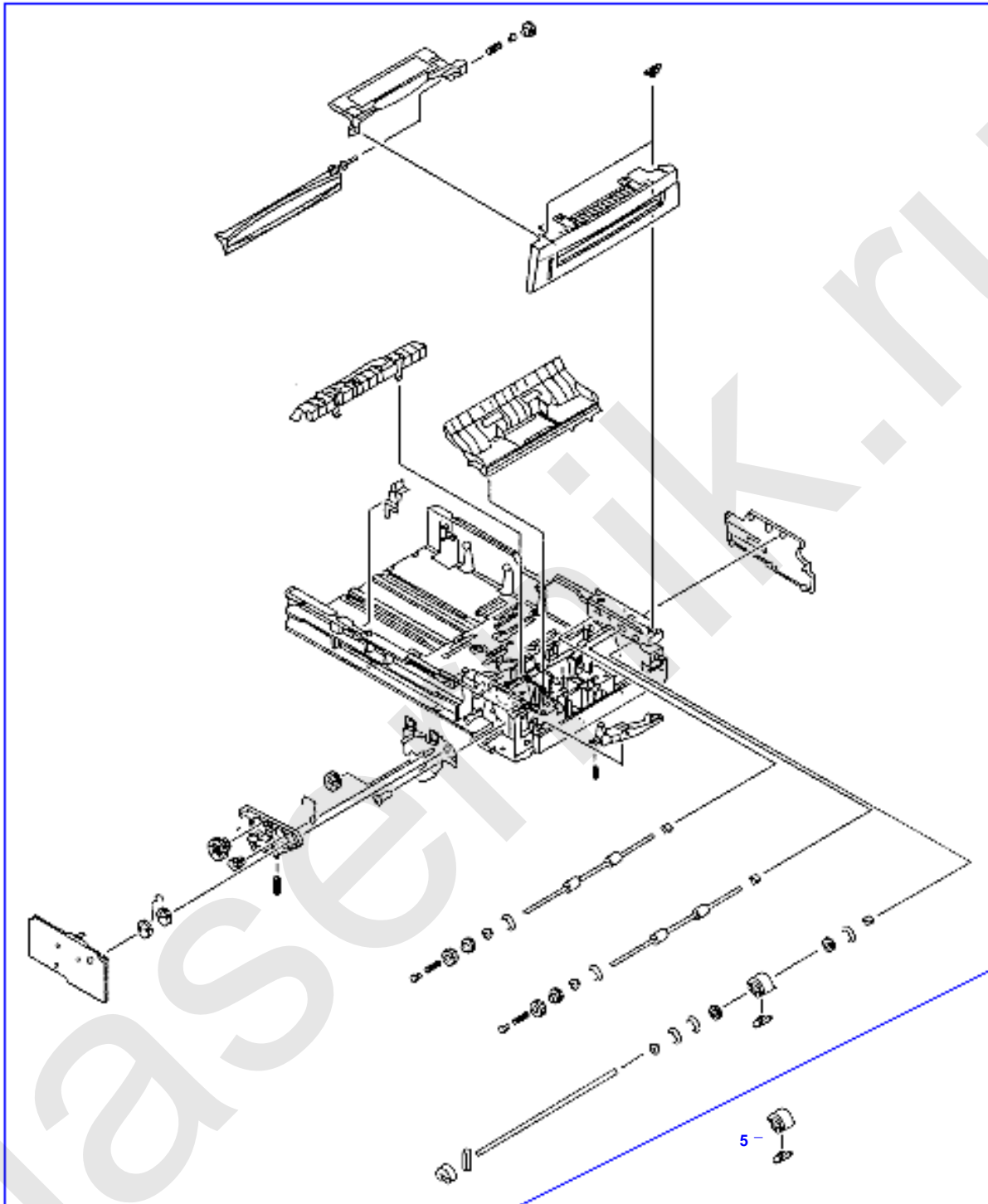
Cassette (1 of 2)

7-  Cassette Assembly (1 of 2)



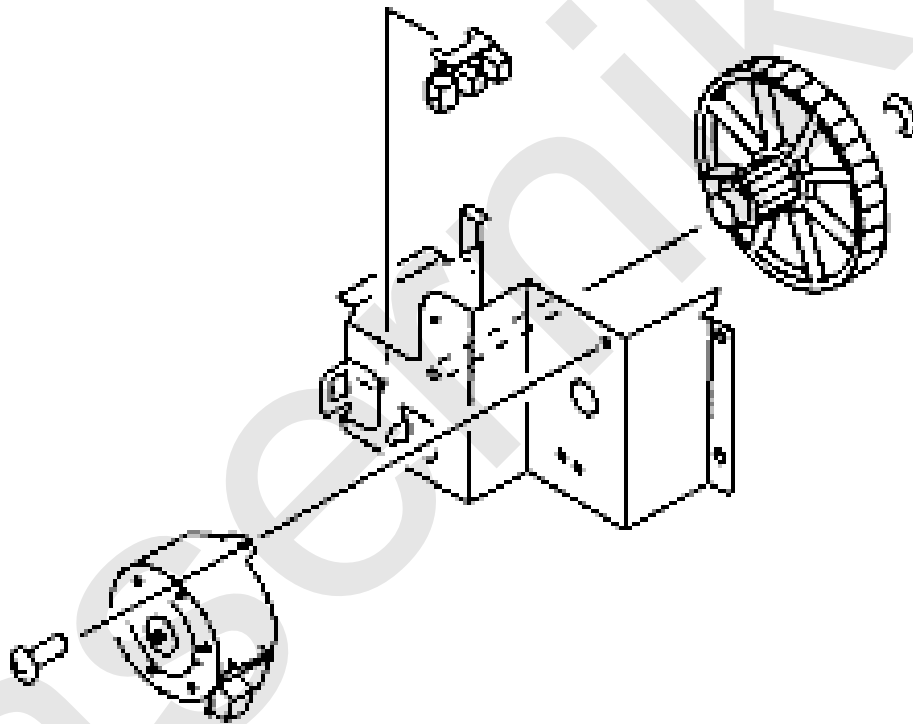
Cassette (2 of 2)

7-  Cassette (2 of 2)



Disengaging Drive Assembly

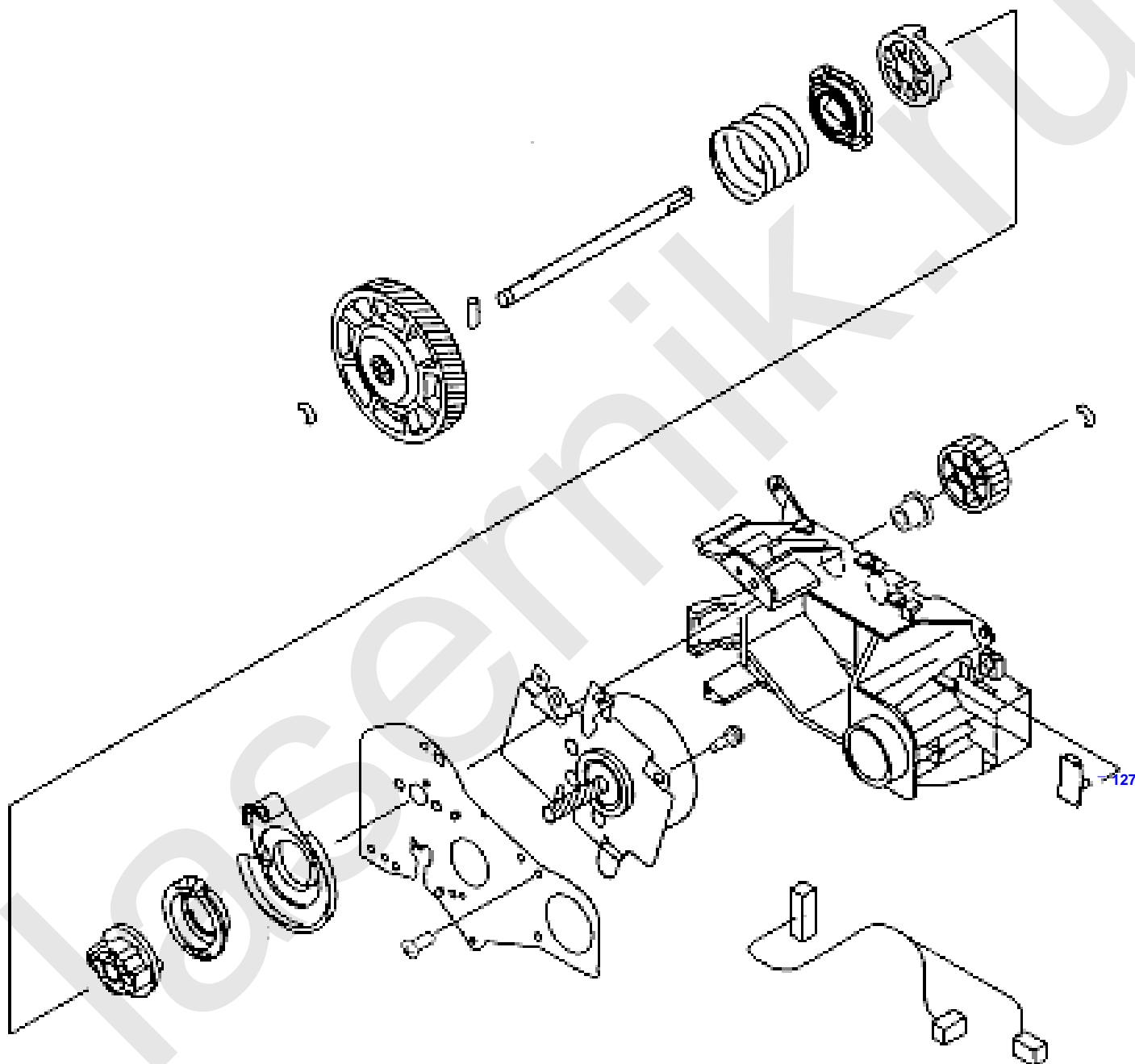
108 -  Disengaging Drive Assembly



Drum Drive Assembly

105, 106, 107

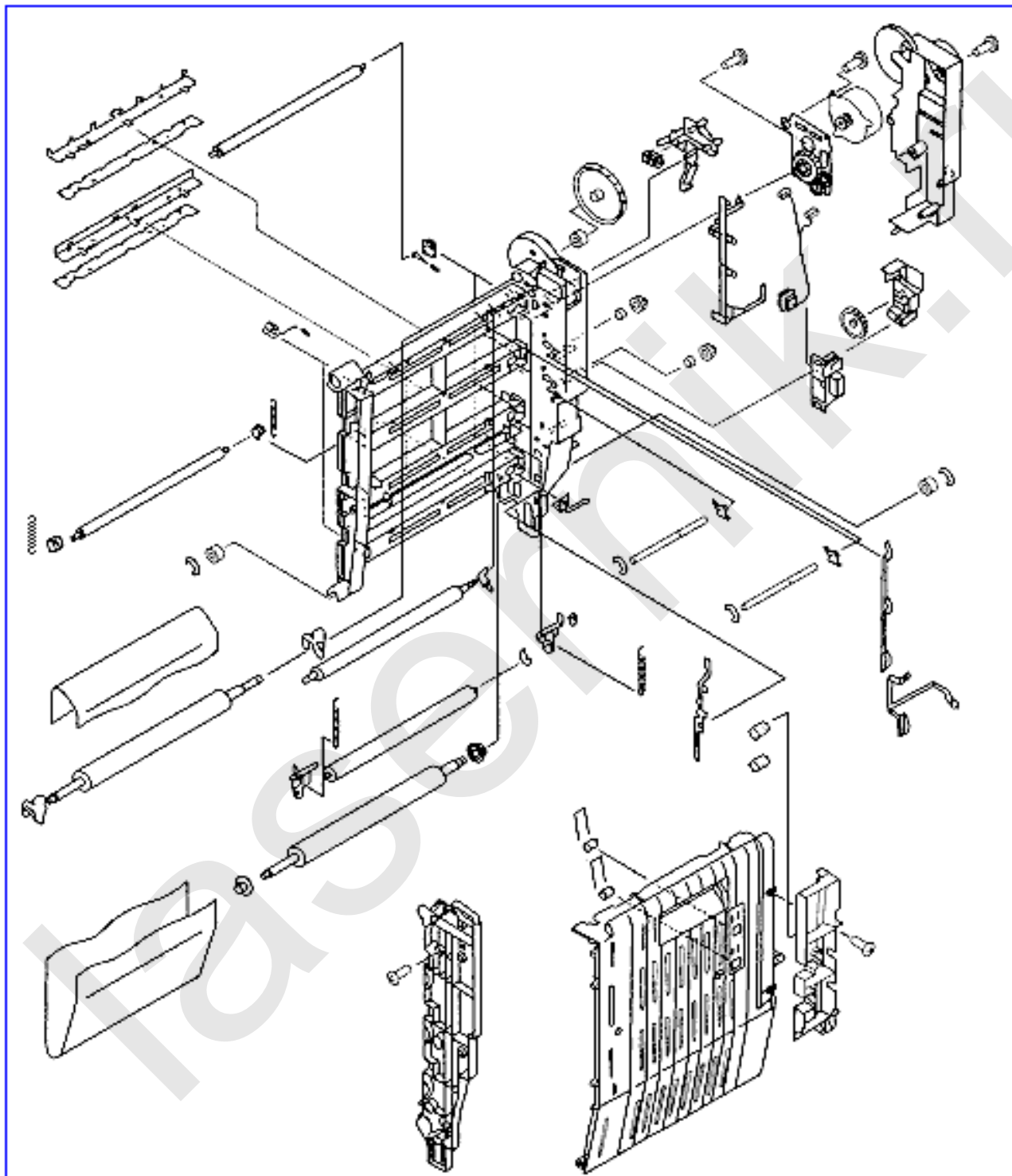
 Drum Drive Assembly



ETB Assembly

169 -  ETB Assembly

 - 135

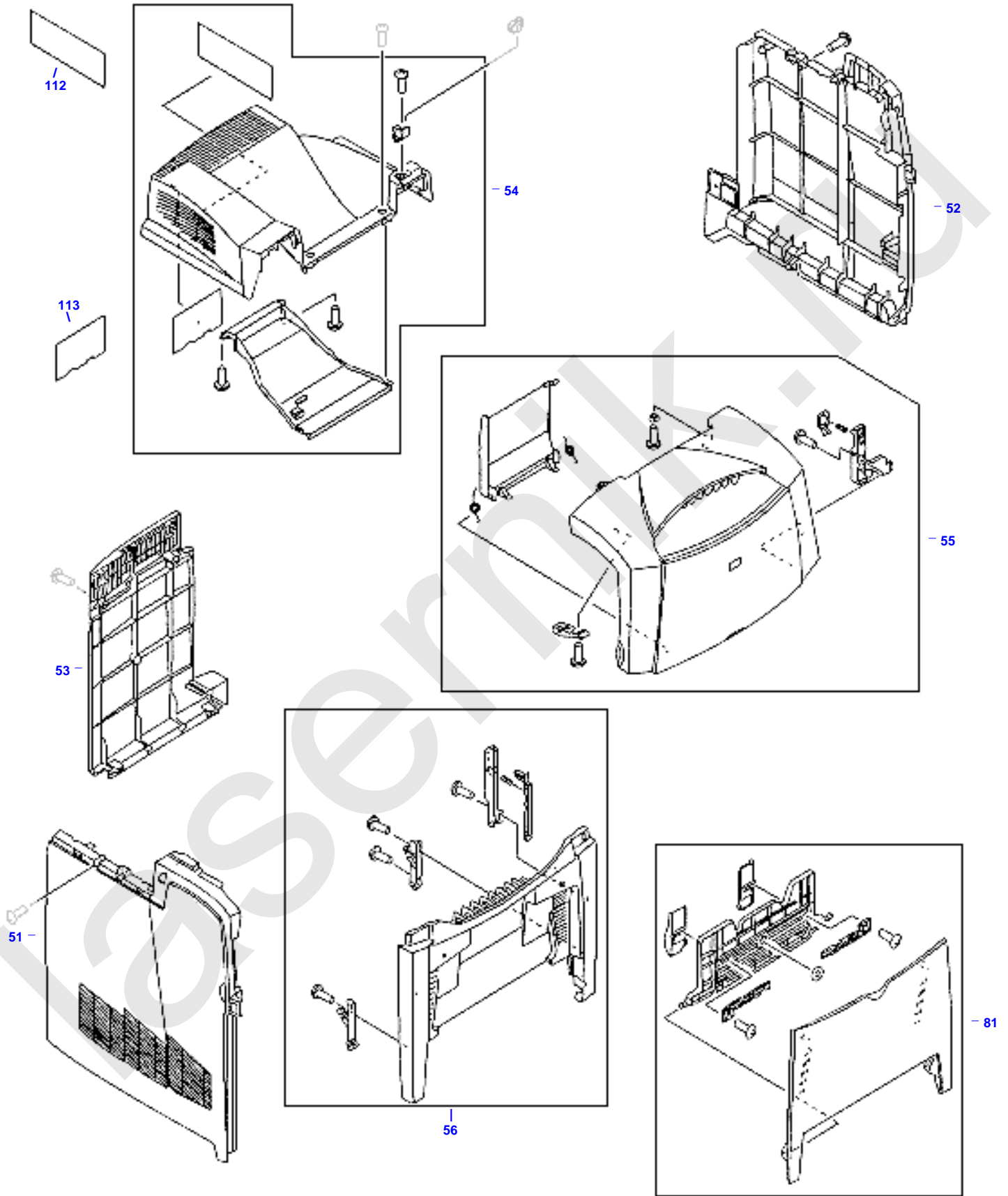


 - 129



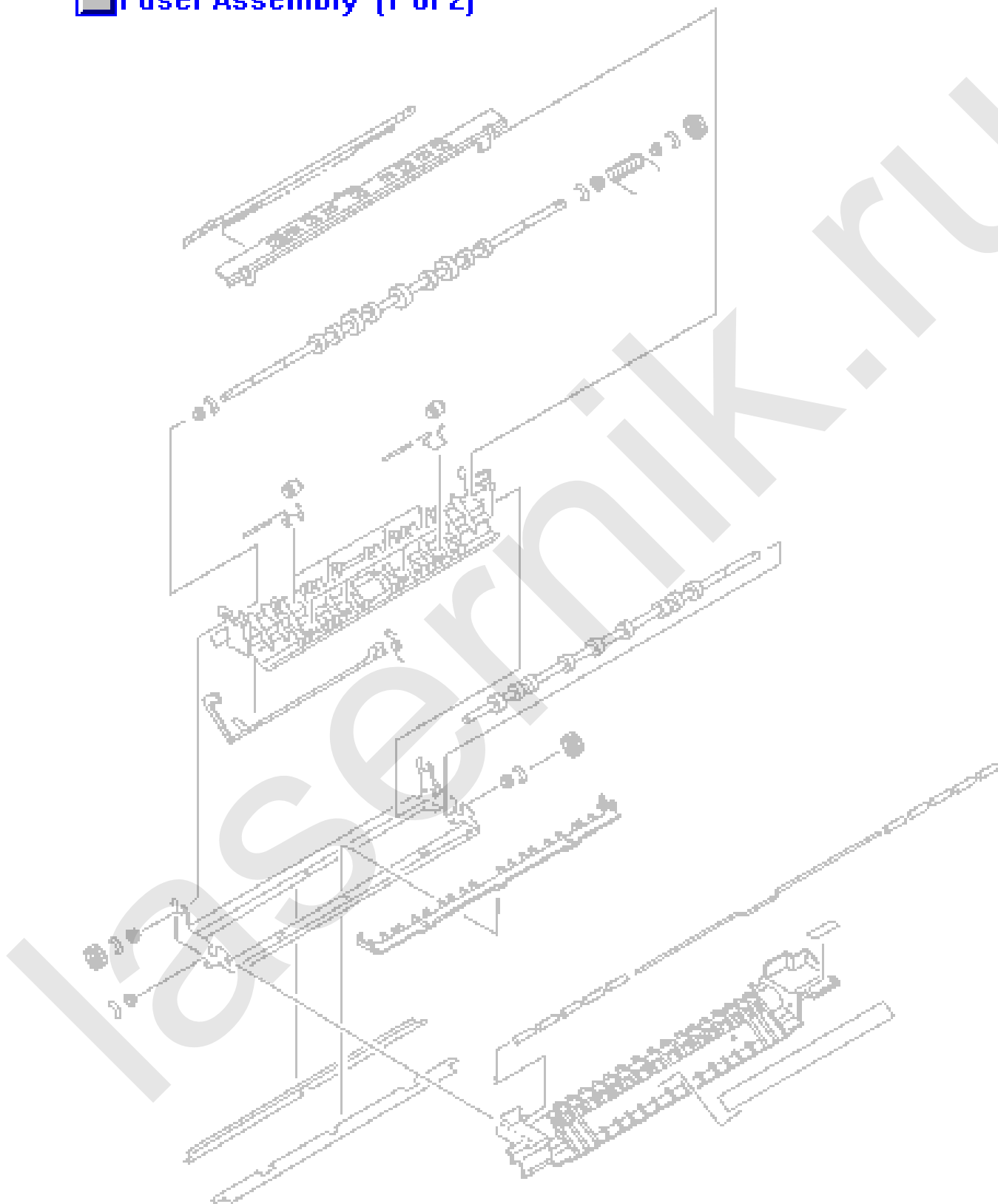
 - 176

External Covers and Panels

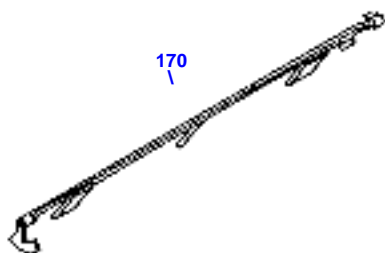
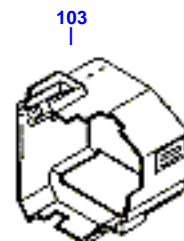
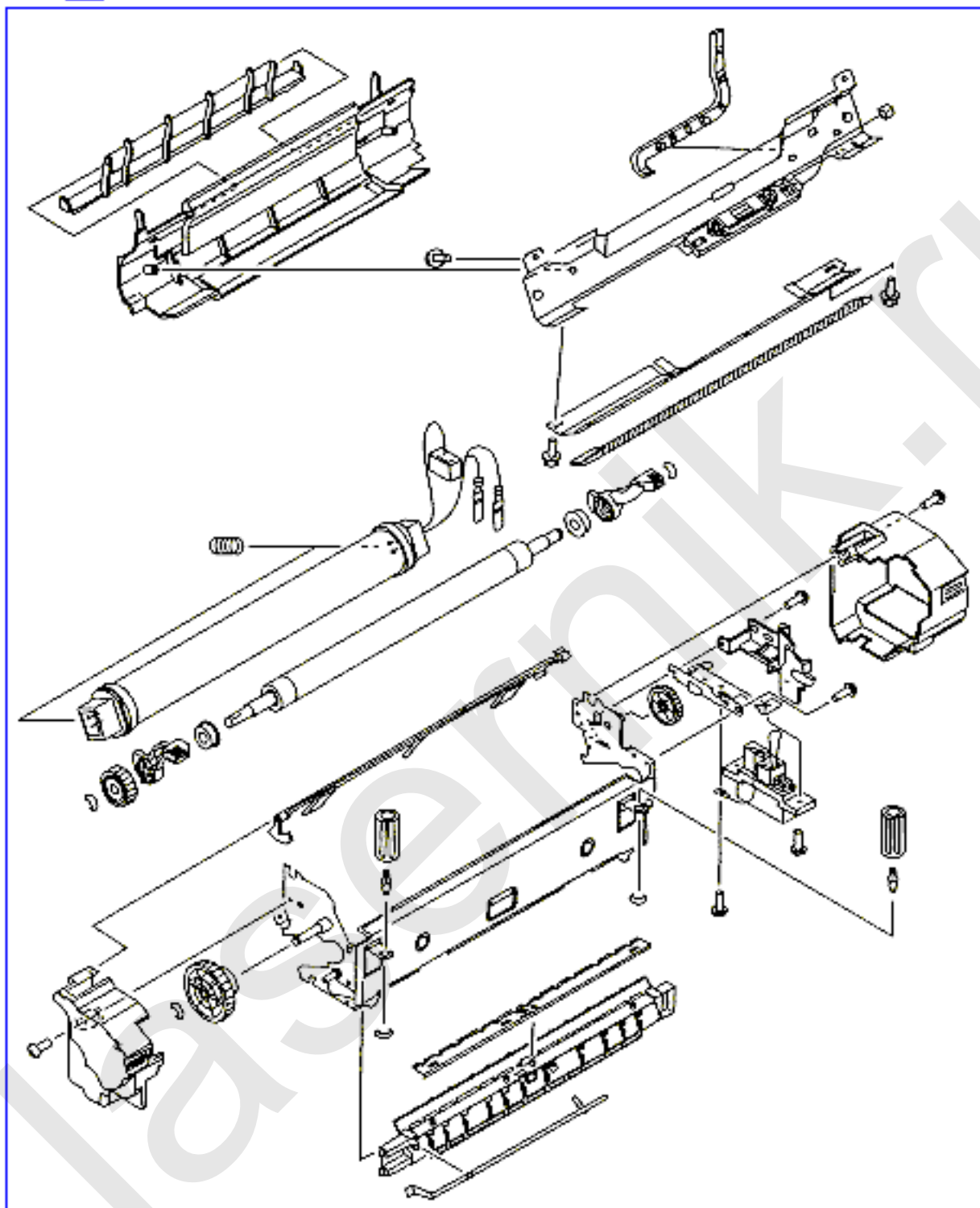


Fuser Assembly (1 of 2)

171, 172  Fuser Assembly (1 of 2)

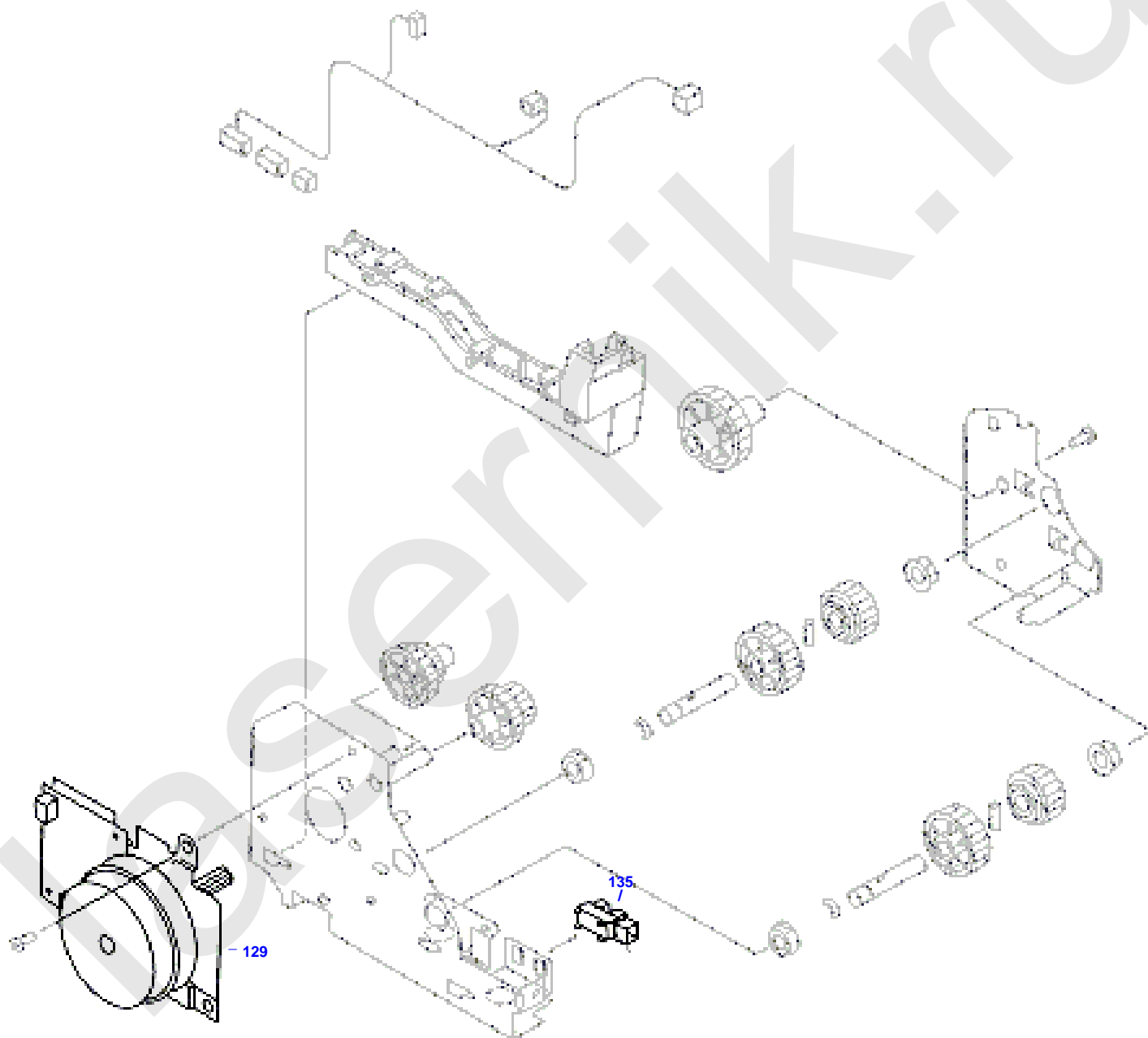


Fuser Assembly (2 of 2)

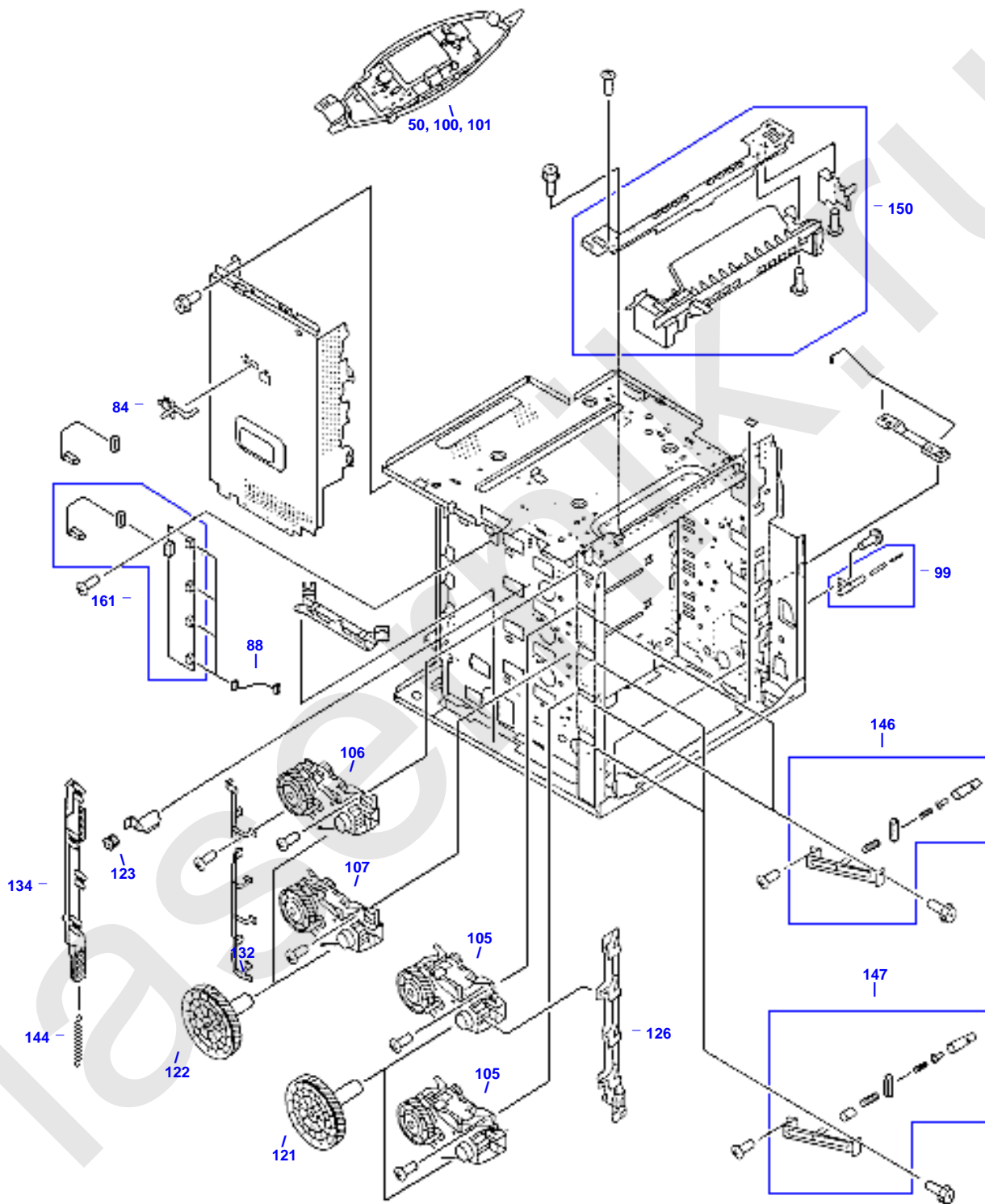
171, 172 -  **Fuser Assembly (2 of 2)**

Fuser Drive Assembly

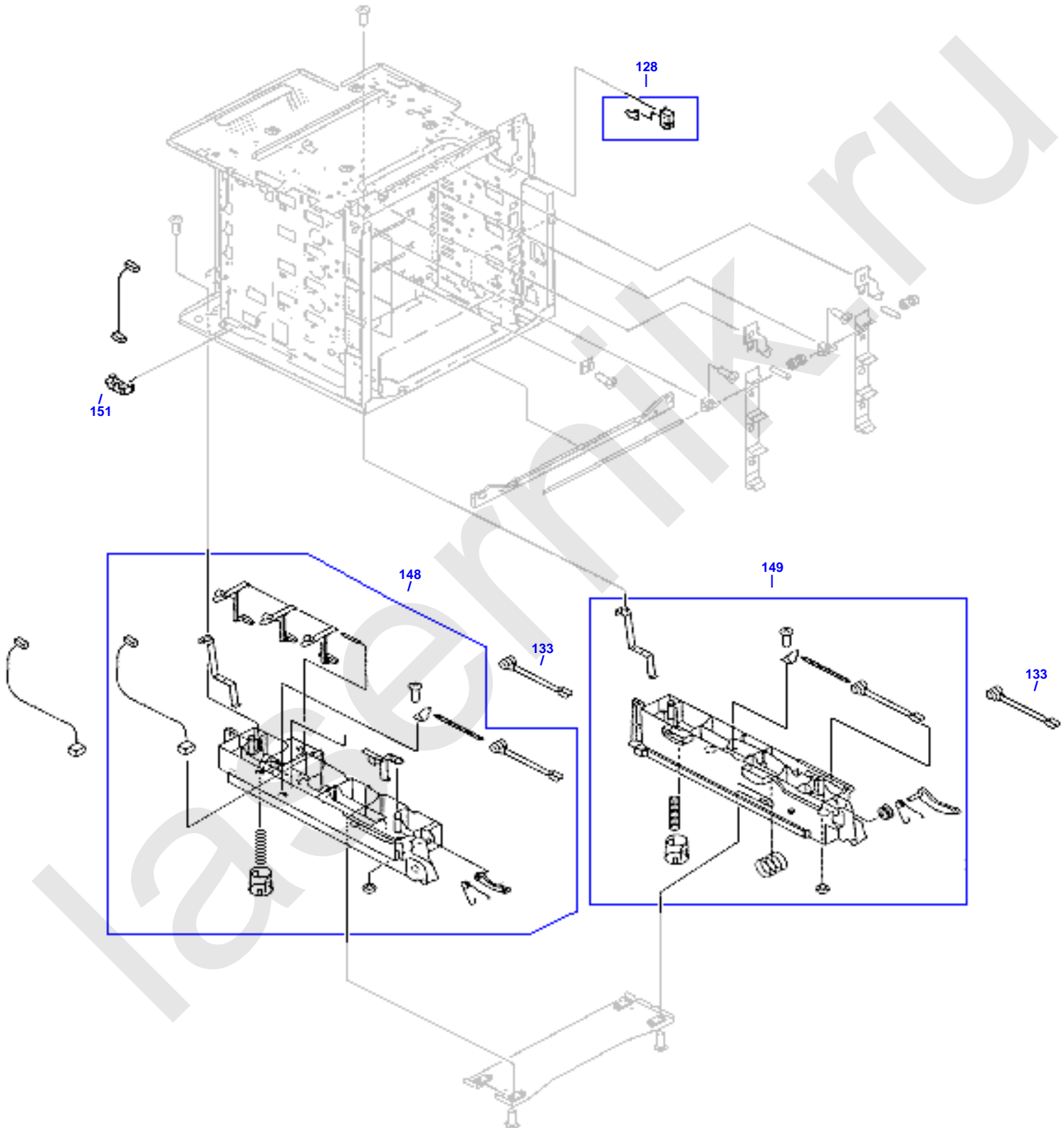
109 -  Fuser Drive Assembly

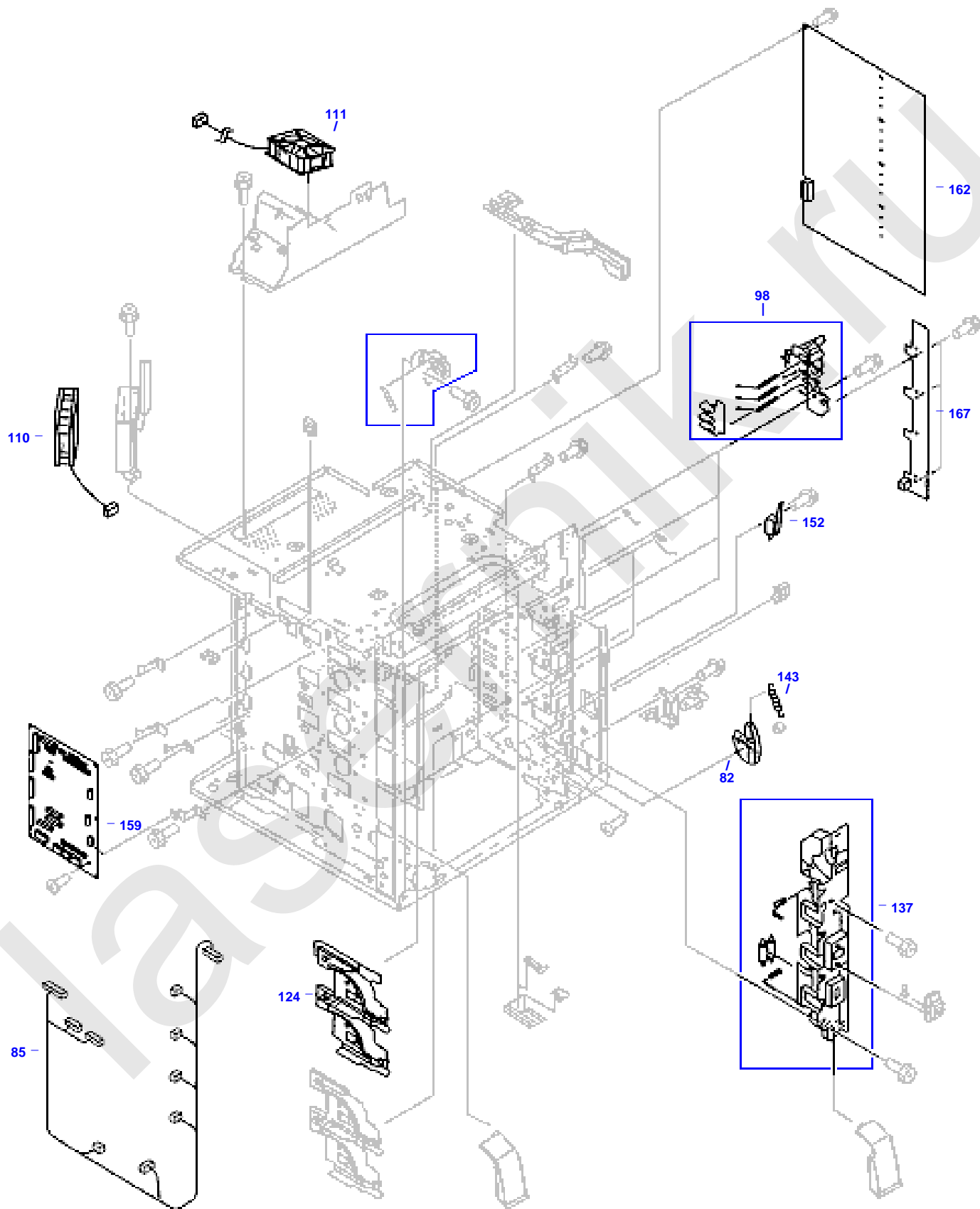


Internal Components (1 of 5)

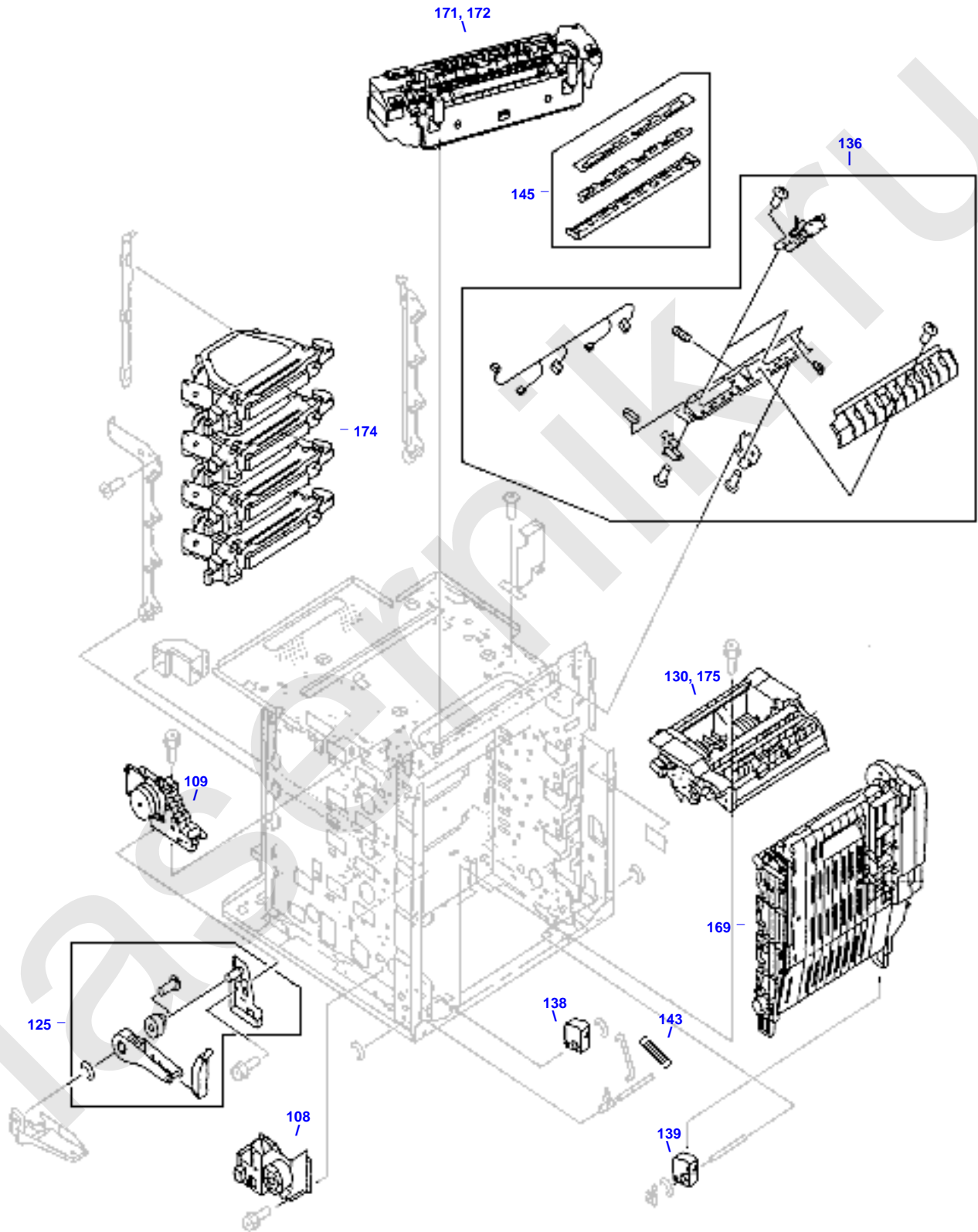


Internal Components (2 of 5)

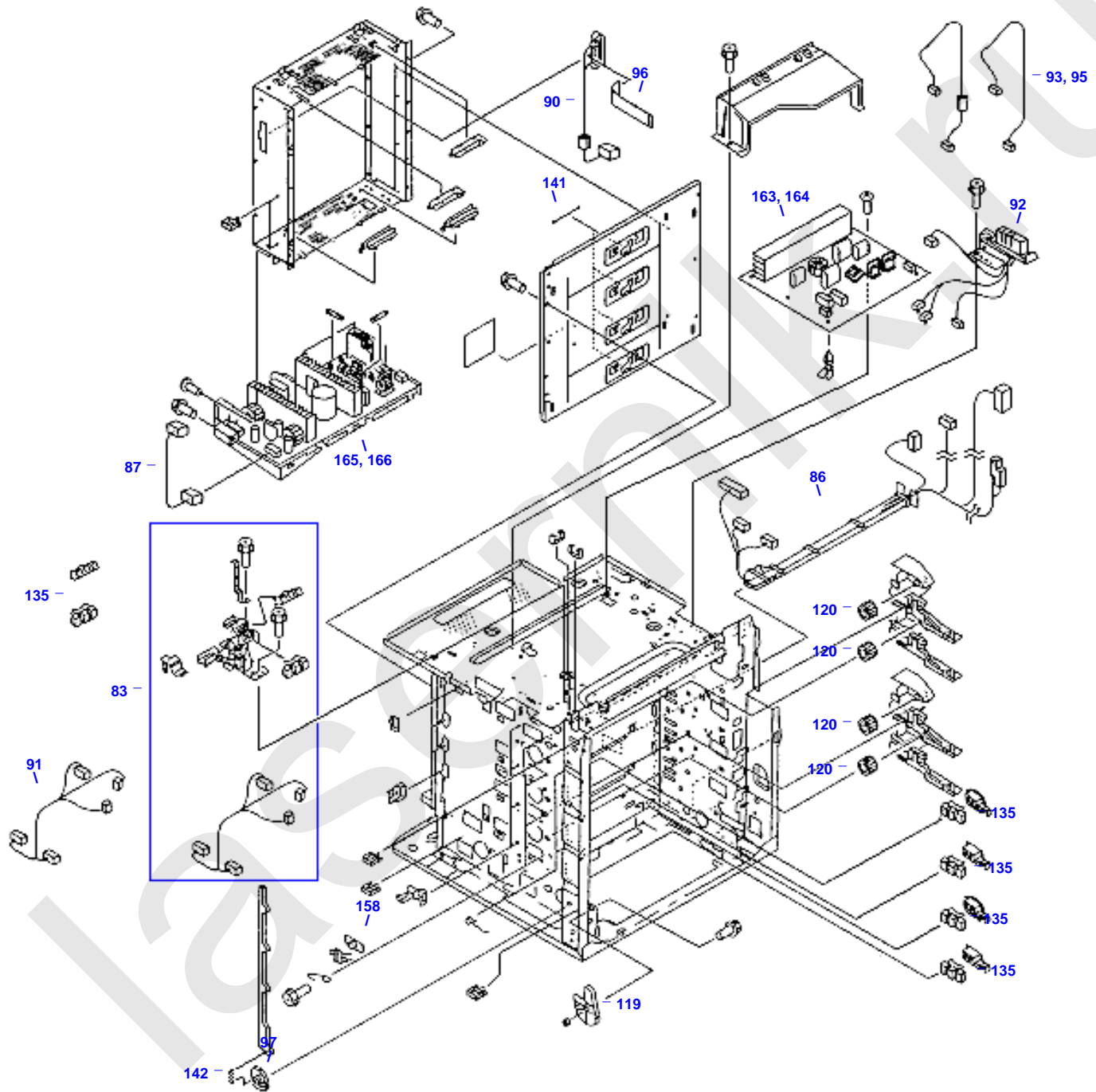


Internal Components (3 of 5)

Internal Components (4 of 5)

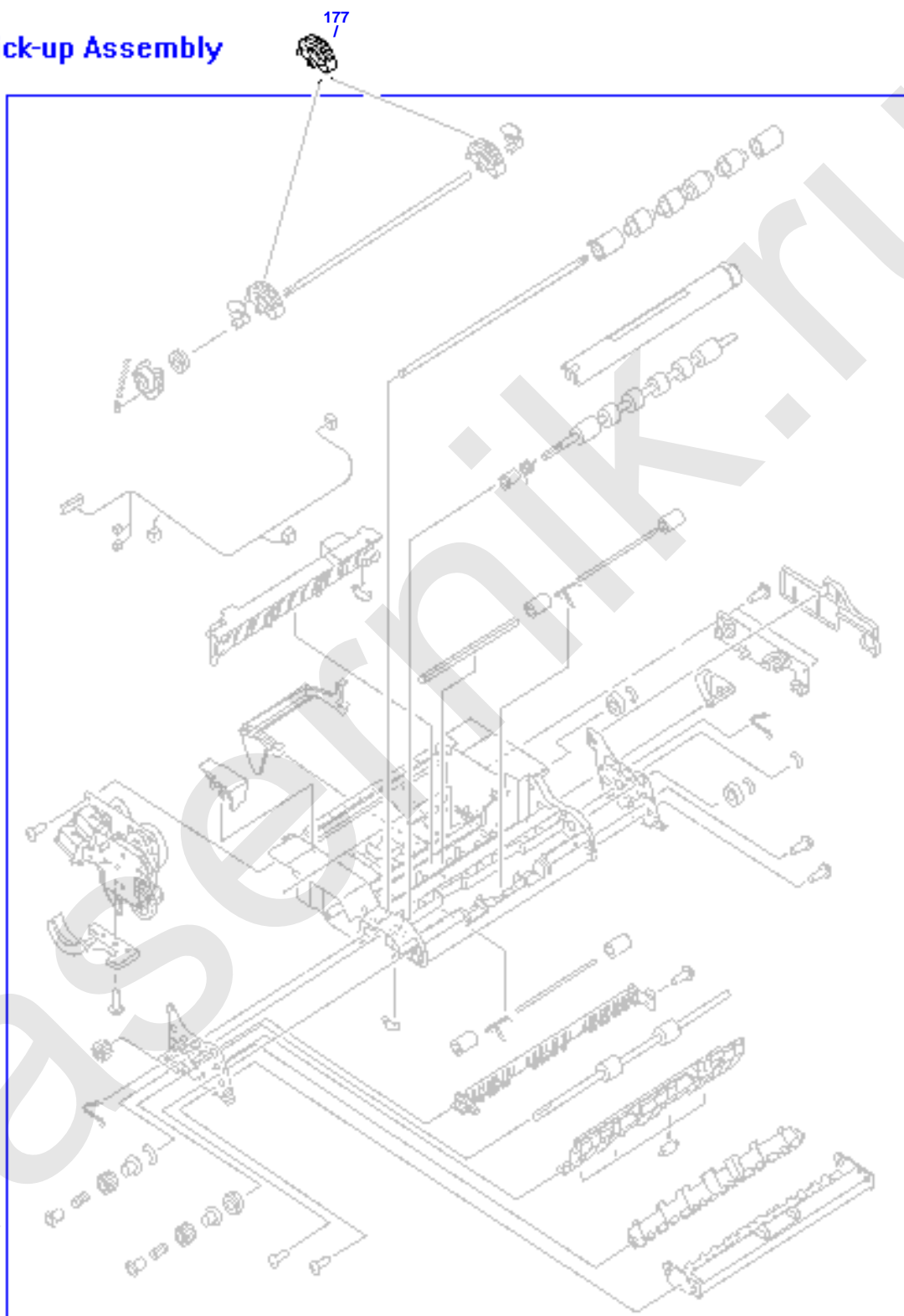


Internal Components (5 of 5)



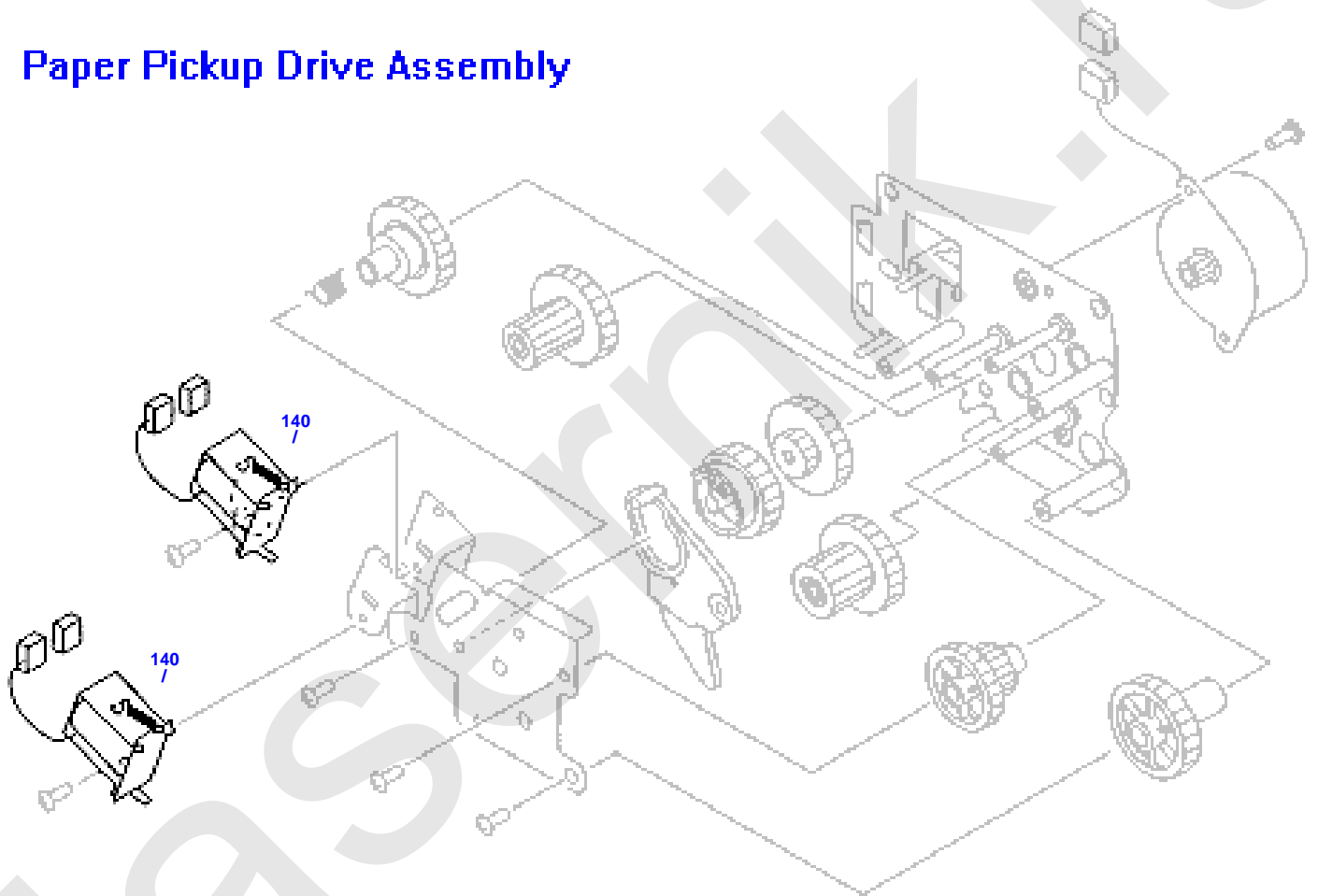
Paper Pick-up Assembly

30, 175 -  Paper Pick-up Assembly



Paper Pickup Drive Assembly

131 - Paper Pickup Drive Assembly



HP Parts Reference Guide

<http://www.hp.com/go/parts>

HP PartSurfer

<http://partsurfer.hp.com>

HP Parts Ordering Information

<http://www.hp.com/go/hpparts>

HP Parts Questions/Comments

<http://partsurfer.hp.com/contactus.htm>

laser.nik.ru