

**1500 Sheet Feeder****Arm**

- 1 RC1-0714-000CN Front door stop arm - Thin plastic arm between the front door and the lower frame - Provides a positive stop when the front door is opened

**Cable**

- 2 RG1-4239-000CN Interface cable assembly - Connects between the 6-pin interface connector and the feeder control board - Mounts on the right side of the 1,500 sheet paper feeder assembly
- 3 RG1-4240-000CN Media size sensor cable assembly - Connects between the paper size sensor assembly and the feeder control board - Mounts on the right side of the 1,500 sheet paper feeder assembly
- 4 RG1-4241-000CN Front door sensor cable - Connects between the sensor in the feeder lifter drive assembly and the feeder control board - Mounts on the right side of the 1,500 sheet paper feeder assembly

**Connector**

- 5 VS1-6175-006CN 6-pin connector and housing assembly - Interconnects the optional paper feeder assembly with the host printer - Mounts on top of the right side of the paper feed assembly

**Cover**

- 6 RC1-0661-000CN Right side cover assembly - For the 1,500 sheet paper feeder assembly
- RC1-0662-000CN Left side cover assembly - For the 1,500 sheet paper feeder assembly
- 8 RC1-0663-000CN Rear cover assembly - Box type cover for the rear of the 1,500 sheet paper feeder assembly
- 9 RM1-0273-000CN Front cover (or door) - Provides access to load paper in the 1,500 sheet paper feeder assembly

**Drive Assembly**

- 10 RM1-0283-000CN Paper pickup drive assembly - Includes the drive gears and solenoid mounted on a bracket assembly - Mounts toward the top of the right side frame on the 1,500 sheet paper feeder assembly
- 11 RM1-0287-020CN Lifter driver assembly - Includes the three drive gears, swing arm, tension spring and door open sensor - Mounts toward the bottom of the right side frame on the 1,500 sheet paper feeder assembly

**Gear Assembly**

- 12 RM1-0286-000CN Paper level sensor gear assembly - Mounts on the left side of the 1,500 sheet paper feeder assembly

**PC Board**

- 13 RG1-4238-000CN Feeder control PC board - Mounts on the right side of the 1,500 sheet paper feeder assembly

**Sensor Mechanism**

- 14 RC1-0748-000CN Paper size sensor block - Spring loaded block which activates the paper size sensor fingers - Mounts on the inside frame of the 1,500 sheet paper feeder assembly
- 15 RM1-0285-000CN Paper sensor assembly - Includes the support tray with the paper stack surface and paper detection sensors, associated sensor flags, and cable assembly - Mounts on the bottom of the paper pickup assembly (top deck of the 1,500 sheet paper feeder assembly)
- 16 RM1-0294-000CN Paper size sensor assembly - Includes the three size fingers, micro-switch assembly and housing assembly - Mounts on the outside of the right frame assembly (in the lower rear corner)

**500 Sheet Feeder Assembly****Bushing**

- 17 RC1-0206-000CN Bushing - On right side of paper pickup drive assembly

**Cable**

- 18 RG1-4250-000CN Sensor cable assembly - For 500 sheet feeder assembly

**Connector**

- RG1-4201-000CN Cable and connector on top right rear of 500 sheet feeder assembly
- RG1-4202-000CN Cable and connector on bottom right rear of 500 sheet feeder assembly

**Cover**

- 21 RC1-0487-000CN Left side cover for 500 sheet paper feeder assembly
- 22 RC1-0488-000CN Right side cover for 500 sheet paper feeder assembly
- 23 RC1-0500-000CN Tray number cover - Outside cover for Tray 3 or 4 number indicator - Located at right front of 500 sheet feeder assembly



### 500 Sheet Feeder Assembly

#### Drive Assembly

- 24 RM1-0056-000CN Paper pickup drive assembly - Gear assembly on right front side of 500 sheet paper feeder assembly

#### Lift Assembly

- 25 RM1-0208-000CN Tray lifter drive assembly - Lifts paper tray as paper is used in 500 sheet tray

#### PC Board

- 26 RG1-4200-000CN Paper feeder assembly PC Board - PC Board on right side of 500 sheet paper feeder assembly

#### Solenoid

- 27 RH7-5355-000CN Paper pickup solenoid

### Accessories

#### Cartridge

- Q1339-67901 Black Toner Cartridge - With 'Micro-Fine' toner - Prints approximately 18,000 Pages  
Q1339A HP Monochrome LaserJet 4300 Print Cartridge

#### Cleaning Supplies

- 5090-3379 Toner cleaning cloth - Specially treated cloth for absorbing toner (1 per package) - Ideal for clening up toner spills

#### Duplexer

- Q2439A Duplexer assembly for LaserJet 4200/4300

#### Maintenance Kit

- Q2436-69004 LaserJet 4300 maintenance kit - (120V) - Includes refurbished fusing assembly, separation roller, transfer roller, feed roller for Tray 1, two feed rollers for 500 sheet tray, one feed roller for 1500 sheet tray and installation instructions  
REQUIRES RETURN OF DEFECTIVE PART  
*Q2436-67904 New Part for Q2436-69004*  
Q2437-69004 LaserJet 4300 maintenance kit - (220V) - Includes refurbished fusing assembly, separation roller, transfer roller, feed roller for Tray 1, two feed rollers for 500 sheet tray, one feed roller for 1500 sheet tray and installation instructions  
REQUIRES RETURN OF DEFECTIVE PART  
*Q2437-67904 New Part for Q2437-69004*

#### Manual

- Q2431-90916 LaserJet 4200/4300 combined product family service manual

#### Tray Assembly

- Q2440-69001 500-sheet paper feeder and tray/cassette - This is the assembly frame and tray that the printer sits on top of

### External Case Parts

#### Control Panel

- 36 RG1-4276-020CN Control panel assembly

#### Cover

- 37 RC1-0287-000CN Left side cover panel  
38 RC1-0289-000CN Top rear cover of printer - Removes for Stapler/Stacker installation  
39 RC1-0290-000CN Lower rear cover - Covers rear of standard 500 sheet tray  
40 RC1-0291-000CN Duplexer slot cover - Removable lower rear cover for Duplexer attachment slot  
41 RM1-0027-020CN Rear output tray cover  
42 RM1-0046-000CN Right side cover assembly  
43 RM1-0049-000CN Top cover assembly - Top paper output tray and top of printer  
44 RM1-0050-000CN Front cover - Drop down Tray 1  
RM1-0114-020CN Cartridge access door cover for LaserJet 4300 family

#### Label Kit

- Q2431-67908 LaserJet 4300 series name plate kit - Includes all model labels for LaserJet 4300 series and one HP jewel label used on drop down Tray 1

**External Case Parts****Overlay**

- Q2431-40004 Control Panel Overlay - English
- Q2431-40009 Control Panel Overlay (Spanish)

**Internal Parts****Arm**

- 49 RC1-0003-000CN Toner cartridge arm - Mechanical link between main drive assembly and toner cartridge release mechanism

**Bushing**

- 50 RC1-0264-000CN Feed roller shaft bushing - Bushing on right side of printer that supports the feed roller shaft.

**Cable**

- 51 RG1-4213-000CN Top Cover cable - From top cover microswitch to
- 52 RG1-4214-000CN Top bin full sensor cable
- 53 RG1-4215-000CN Control panel cable
- 54 RG1-4219-000CN Memory cable - From DC Controller board to the toner cartridge wireless memory contact tag
- 55 RG1-4221-000CN Tray 2 paper pickup sensor cable assembly - Connects to sensors PS101 and PS107
- 56 RG1-4223-000CN Power cable for Tray 3 paper feeder - Black connector with 42mm six wire cable to white connector
- 57 RG1-4224-000CN Envelope feeder cable - From DC Controller board to envelope feeder connector - Includes envelope feeder connector
- 58 RG1-4231-000CN Fuser cable - Main fuser cable for LaserJet 4300 series
- RG5-6815-000CN AC cable - Low voltage power supply (LVPS) to fuser power supply cable
- RG5-6826-000CN DC Controller to fuser safety circuit, high voltage power supply (HVPS), electrostatic transfer belt (ETB)

**Clip**

- 61 XD9-0137-000CN E-Type retainer ring - E-clip - Holds paper feed assembly gear

**Clutch**

- 62 RH7-5358-000CN Paper feed assembly clutch - Electro mechanical clutch with 30 tooth white gear - CL 101

**Connector**

- 63 RM1-0042-000CN Accessory cable/connector - Connector for stacker and stacker/stapler accessory at top right rear of printer

**Cover**

- 64 RC1-0019-000CN Inner right front cover
- 65 RC1-0288-000CN Formatter board cover
- 66 RC1-0320-000CN Envelope cover - Plastic piece above Tray 1 pickup roller
- 67 RC1-0344-000CN Fan connector cover - Small metal piece under fan that protects the fan connector

**Drive Assembly**

- 68 RM1-0001-000CN Main drive assembly - Main gear assembly on right side of printer

**Fan**

- 69 RH7-1573-000CN Cooling fan on left side of printer
- RH7-1577-000CN Cooling fan on right side of printer

**Gear**

- 71 RU5-0045-000CN 18 tooth gear - Located on right side of printer in the Tray 2 paper pickup assembly
- 72 RU5-0050-000CN 30 tooth gear - Black plastic gear that attaches to paper feed assembly clutch
- 73 RU5-0088-000CN 18 tooth gear - Located on right side of printer in the 500 sheet tray paper pickup assembly

**Gear Assembly**

- 74 RM1-0002-000CN Duplexing pendulum assembly - Gear assembly that transfers power from main motor to run duplexing capability

**Guide**

- 75 RC1-0153-010CN Right side Tray 2 paper cassette guide
- 76 RC1-0244-000CN Support guide - Supports right rear side of power supply board

**Internal Parts****Guide**

77	RC1-0269-000CN	DC Controller flat cable guide
78	RC1-0270-000CN	DC Controller board cable guide
79	RC1-0340-000CN	Guide for scanner cable 1
80	RC1-0385-000CN	Guide for scanner cable 2
81	RC1-0386-000CN	Connecting cable guide - Routes and protects all cables running from top portion of printer to the DC controller board

**Holder**

82	RC1-0342-020CN	Thermistor holder - Plastic inside half of thermistor holder
83	RC1-0343-000CN	Thermistor holder - Metal outside half of thermistor holder

**Lever**

RF5-3898-000CN	Laser scanner shutter lever - Four used
----------------	---

**Lever Assembly**

85	RM1-0043-010CN	Swing plate assembly - For Tray 2 paper lift assembly
----	----------------	---

**Lifter Assembly**

86	RM1-0033-020CN	Tray 2 lifter drive assembly - Provides lift support for paper tray
----	----------------	---

**Motor**

87	RH7-1570-000CN	Main motor - Motor on front right side of printer
88	RH7-1576-020CN	Toner cartridge motor

**Pickup Assembly**

89	RM1-0034-000CN	Paper pickup assembly - Paper pickup drive assembly for Tray 1/Multipurpose input tray
----	----------------	--

**Rod**

90	RC1-0268-000CN	Metal rod between external power button and switch on power supply board
----	----------------	--

**Screw**

XA9-1263-000CN	M3X5 Phillips washer-head machine screw with a broad, flat washer attached to the screw head - Used to fasten sheet metal parts together
XA9-1316-000CN	M4X10 Phillips screw with broad flat washer head - Sheet metal thread

**Sensor**

93	WG8-5362-000CN	Optical sensor - Optical Sensor - Used for PS101 and PS107
----	----------------	--

**Sensor Mechanism**

94	RM1-0041-000CN	Tray 2 paper size tray sensing assembly - White plastic tray size sensing fingers and microswitch assembly
----	----------------	--

**Shutter**

95	RM1-0053-000CN	Left side shutter assembly - Blocks light from scanner on left side
96	RM1-0054-000CN	Right side shutter assembly - Blocks light from scanner on right side

**Solenoid**

97	RH7-5357-000CN	Tray 1 solenoid - Engages Tray 1 pickup roller
----	----------------	--

**Spring**

98	RC1-0061-000CN	Torsion spring
99	RC1-0198-000CN	Tension spring - Provides tension for lifter drive assembly

**Thermistor**

100	RH7-7116-000CN	Environment temperature detection thermistor - Detects ambient air temperature to determine length of time for fuser warm up.
-----	----------------	---

**Logic/Control Electronics****Laser/Scanner**

RM1-0183-000CN	Laser/scanner assembly
----------------	------------------------



### Logic/Control Electronics

#### PC Board

- C9651-69001 Formatter board assembly  
REQUIRES RETURN OF DEFECTIVE PART
- C9651-67901 *New Part for C9651-69001*
- RG1-4237-030CN DC controller board - DC Controller for LaserJet 4300 series

#### Power Supply

- Q2431-69002 Power supply assembly - 110V  
REQUIRES RETURN OF DEFECTIVE PART
- RM1-0107-000CN *New Part for Q2431-69002*
- Q2431-69003 Power supply assembly - 220V
- RM1-0108-000CN *New Part for Q2431-69003*
- RM1-0107-000CN Power supply assembly - 110V
- RM1-0108-000CN Power supply assembly - 220V

#### Switch

- 108 WC4-5139-000CN Top cover interlock access switch

### Paper Path Parts

#### Duplexer

- Q2439-69001 Duplexer assembly for LaserJet 4200/4300  
REQUIRES RETURN OF DEFECTIVE PART
- Q2439-67901 *New Part for Q2439-69001*

#### Flag

- 110 RC1-0060-000CN Paper feed sensor flag for Tray 1
- 111 RC1-0161-000CN Paper size sensing flag - White plastic arm used as mechanical link to tray size sensor PC Board - Three used per sensing assembly
- 112 RC1-0209-000CN Paper sensor flag for Tray 2 paper pickup assembly

#### Fusing Assembly

- Q2431-69012 Refurbished fuser assembly for LaserJet 4300 series - Bonds toner to paper with heat - For 220 to 240VAC operation  
REQUIRES RETURN OF DEFECTIVE PART
- RM1-0102-070CN *New Part for Q2431-69012*
- 114 RM1-0101-070CN Fuser assembly for LaserJet 4300 series - Bonds toner to paper with heat - For 100 to 127VAC operation
- 115 RM1-0102-070CN Fuser assembly for LaserJet 4300 series - Bonds toner to paper with heat - For 220 to 240VAC operation

#### Guide

- 116 RC1-0273-000CN Paper feed belt guide for left side
- 117 RC1-0274-000CN Paper feed belt guide for right side
- RC1-2411-000CN Alignment guide rib - Duplexer skew countermeasure

#### Holder

- 119 RC1-0208-000CN Paper sensor flag holder
- 120 RC1-0211-000CN Paper pickup arm - Pickup and feed roller holder for Tray 2 paper pickup assembly
- 121 RC1-0212-000CN Paper pickup arm holder - Holder for pickup roller shaft

#### Laser/Scanner

- Q2431-69001 Laser/scanner assembly
- RM1-0183-000CN *New Part for Q2431-69001*

#### Pad

- 123 RL1-0007-000CN Tray 1 paper separation pad



**Paper Path Parts**

**Paper Feeder**

124 RM1-0025-000CN Paper feed belt assembly

**Roller**

125 RC1-0070-000CN Pressure roller - Roller in fusing assembly that provides pressure for media against the fusing roller

126 RL1-0019-000CN Tray 1 pickup roller - D shaped roller under envelope cover

127 RM1-0036-000CN Paper pickup roller - Gray spongy rubber roller on a white cylinder and 24 tooth white gear on one side - For Tray 2 and 1500 sheet feeder assembly

128 RM1-0037-000CN Paper feed / seperation roller assembly - Black rubber roller on a blue plastic cylinder - For tray 2 and 1500 sheet feeder

129 RM1-0103-020CN Fusing roller - 110 volt

130 RM1-0104-020CN Fusing roller - 220 volt

RM1-0371-000CN Face-down output roller - Black roller shaft with four gray soft rollers attached and white plastic mounting tab on one end

132 RM1-0699-020CN Transfer roller assembly - Long black spongy roller - Transfers charge to paper

**Roller Assembly**

133 RM1-0011-000CN Registration roller assembly

134 RM1-0012-000CN Paper feed roller assembly

135 RM1-0026-030CN Paper delivery assembly - Paper output roller assembly

**Shaft**

136 RC1-0210-000CN Feeder roller shaft - Axle for Tray 2 feed roller

**Spring**

137 RC1-0213-000CN Compression spring - Provides pressure for paper pickup and feed rollers in Tray 2 pickup assembly

**Stop**

138 RM1-0030-000CN Rear tray assembly - Rear portion of 500 sheet feeder with paper length stop

**Torque Limiter**

139 RC1-0335-000CN Torque limiter - Torque limiter for 500 sheet paper feeder pickup roller

**Transfer Assembly**

140 RM1-0007-000CN Paper transfer assembly

**Tray**

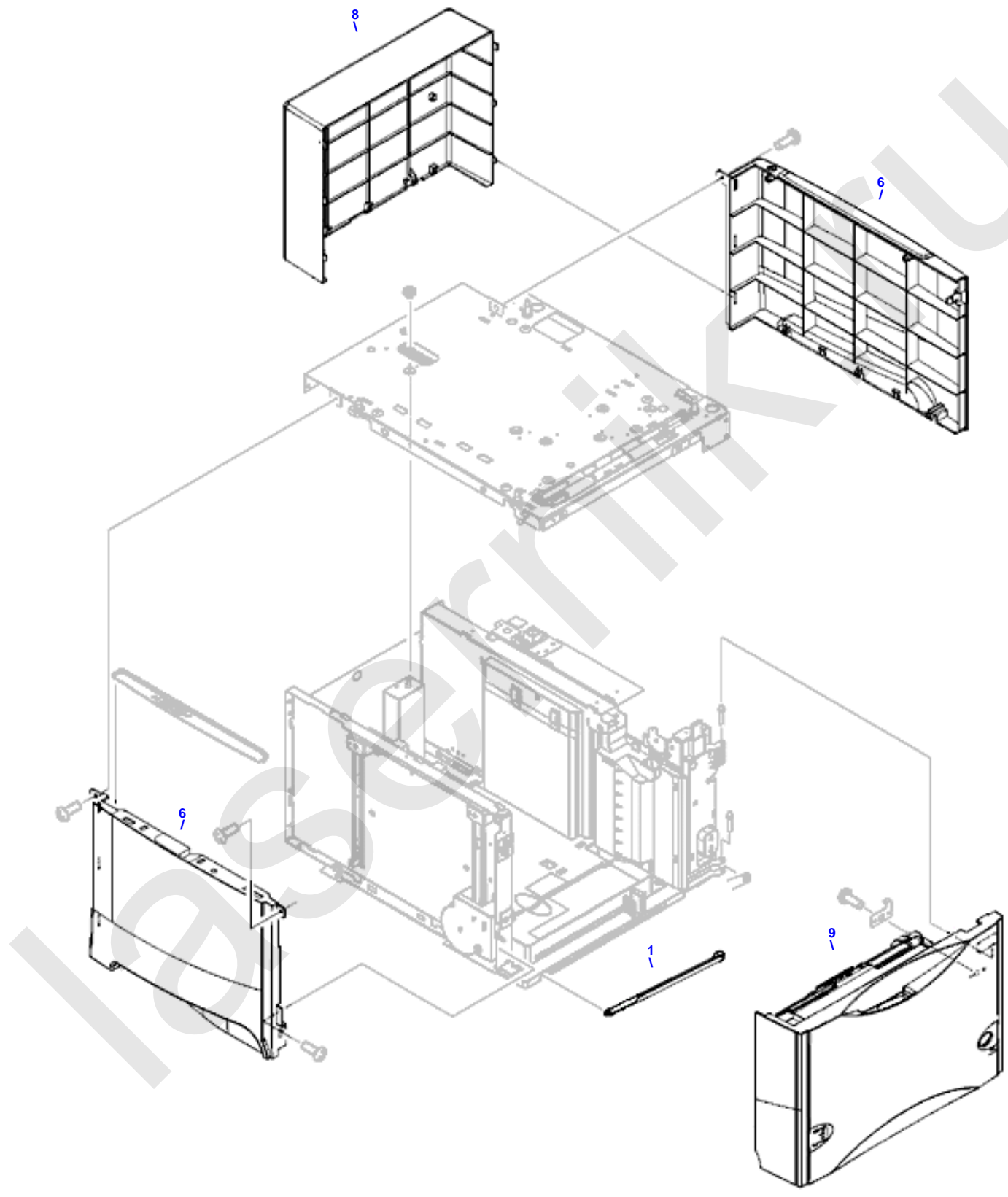
141 RM1-0005-000CN Drop down Tray 1 - Includes adjustable paper width guide assembly

RM1-0028-060CN 500-sheet tray/cassette - This is only the tray, does not include feeder or frame that tray goes into

**Tray Assembly**

143 RM1-0004-020CN Tray 1 paper input assembly

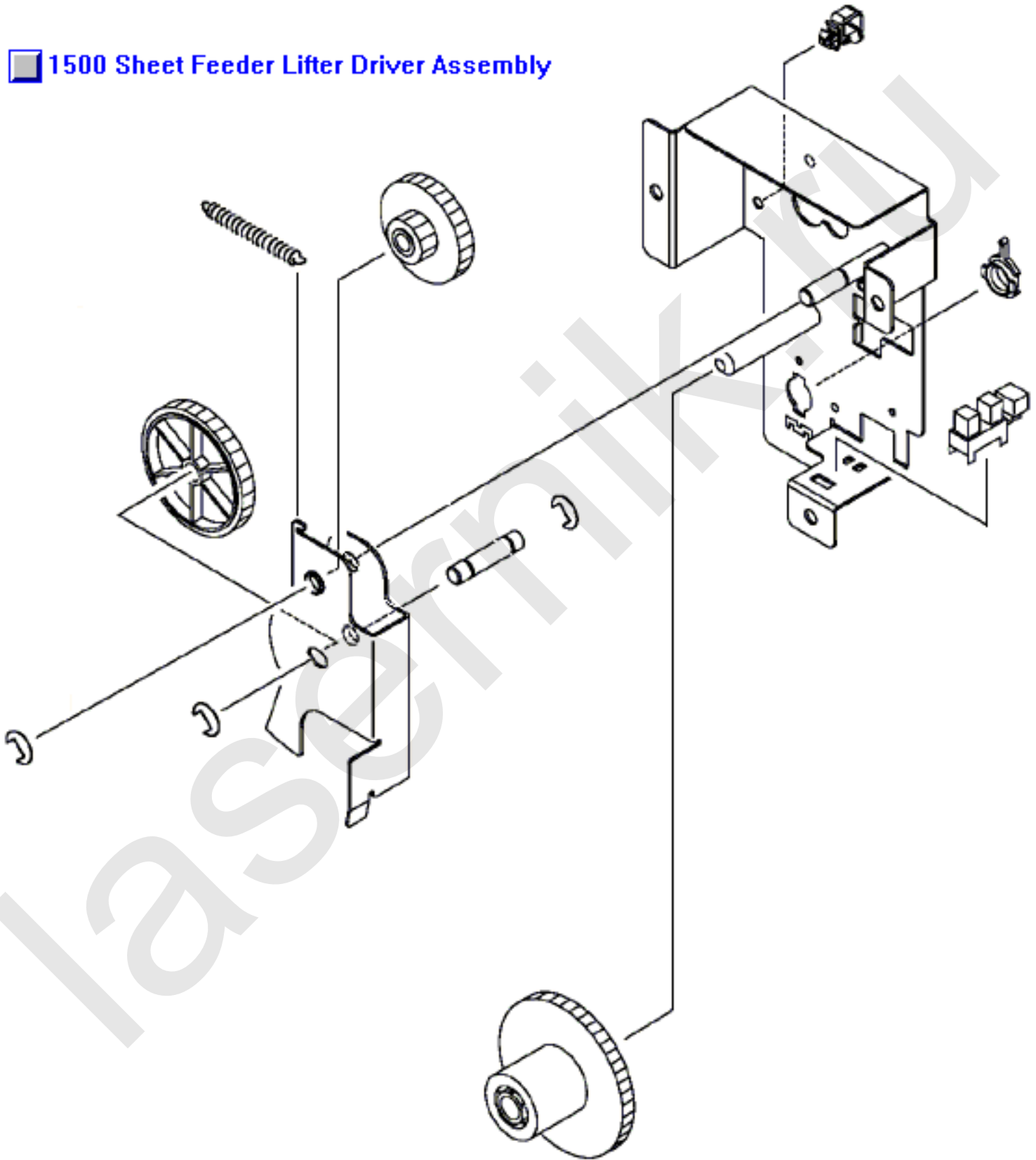
1500 Sheet Feeder Covers





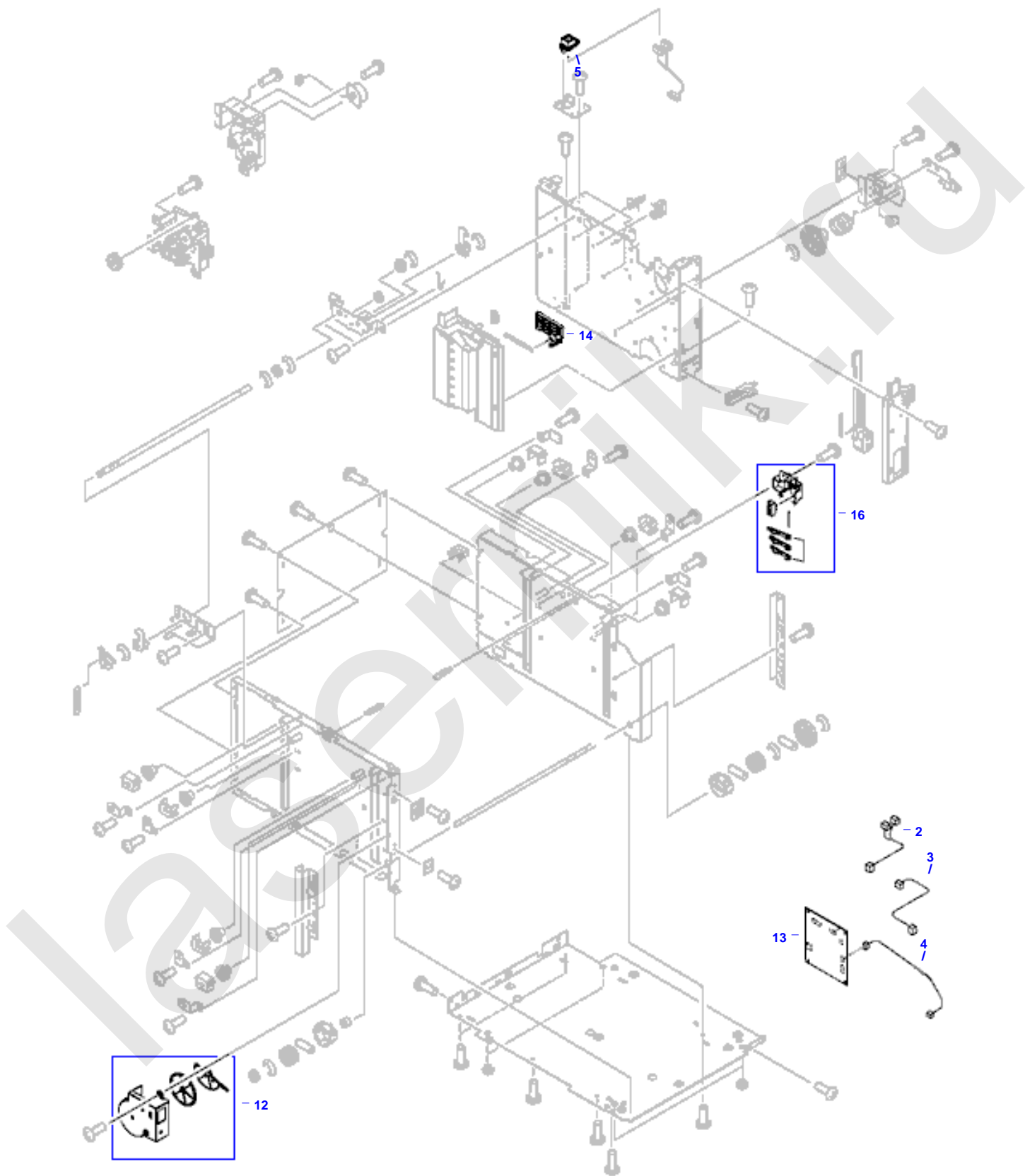
1500 Sheet Feeder Lifter Drive Assembly

11 -  1500 Sheet Feeder Lifter Driver Assembly

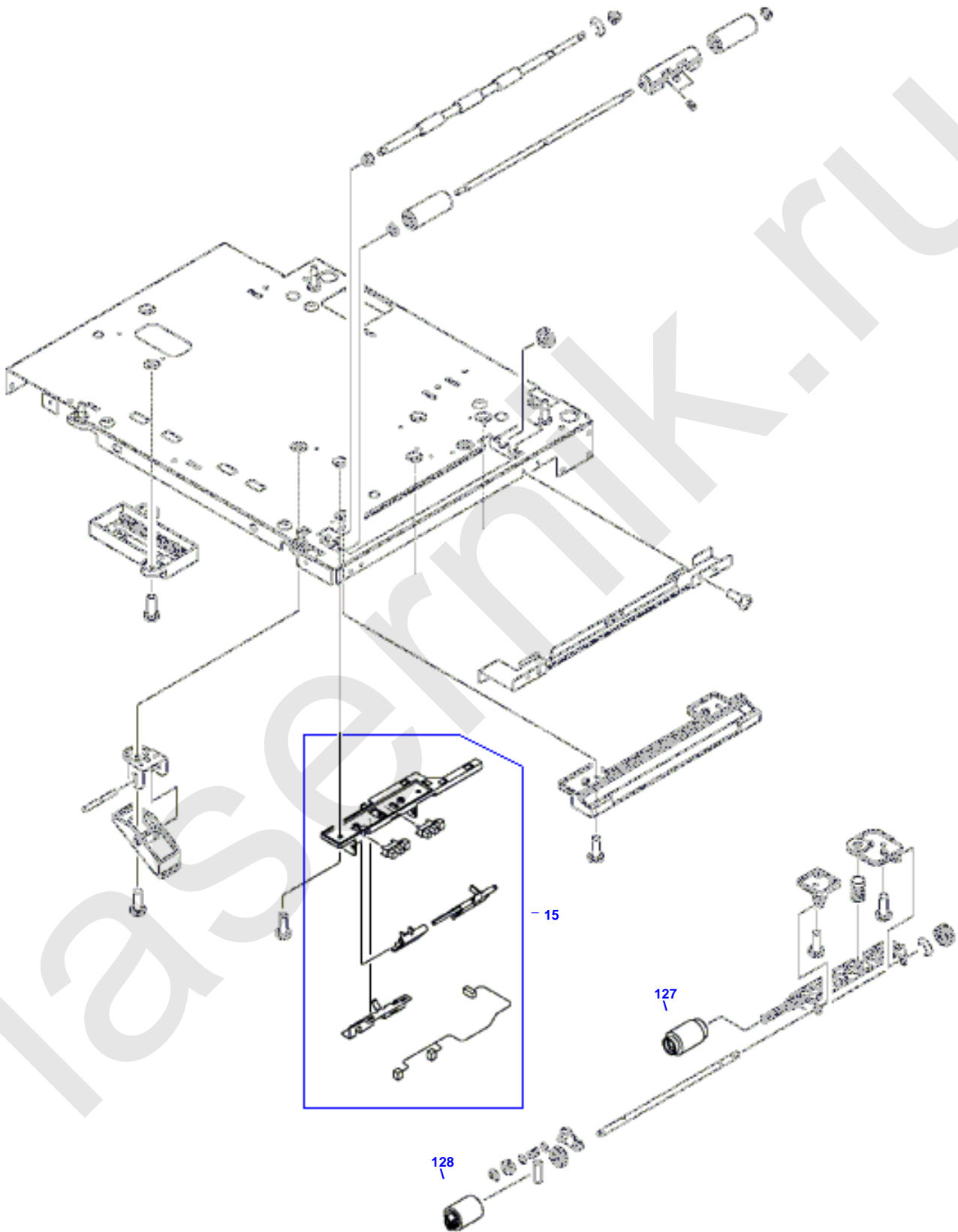




1500 Sheet Feeder Main Assemblies

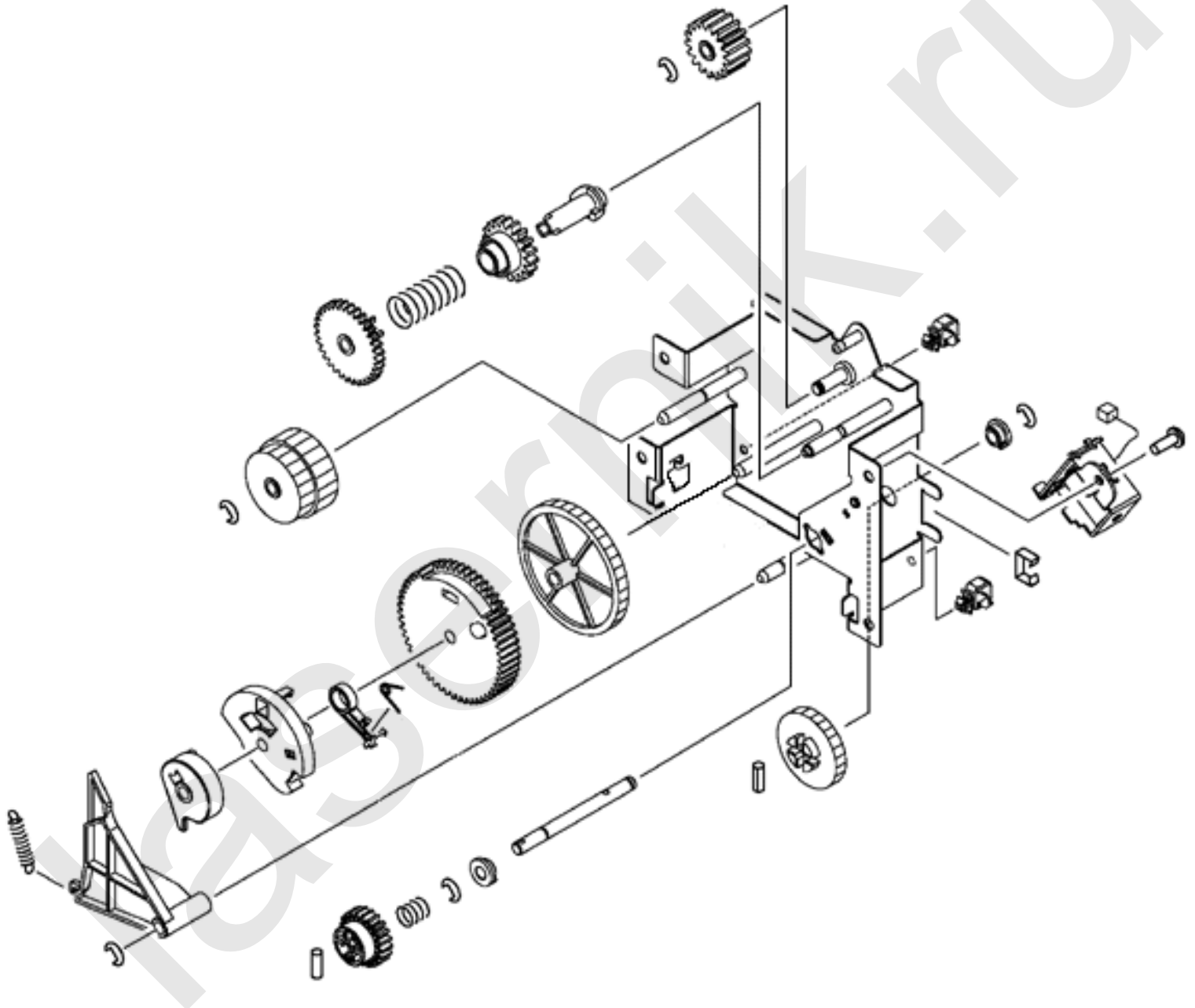


1500 Sheet Feeder Paper Pickup Assembly

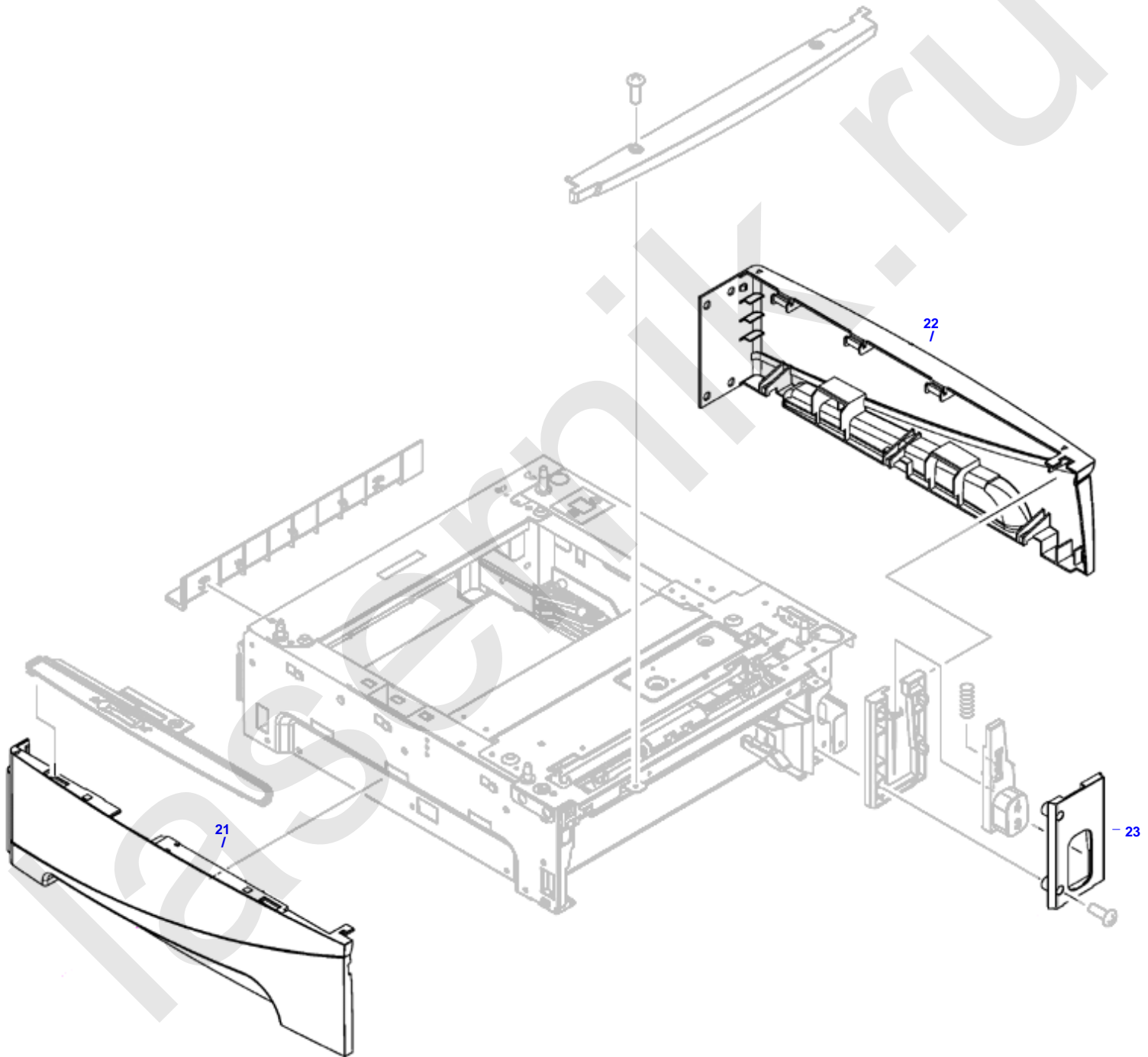


1500 Sheet Feeder Pickup Drive Assembly

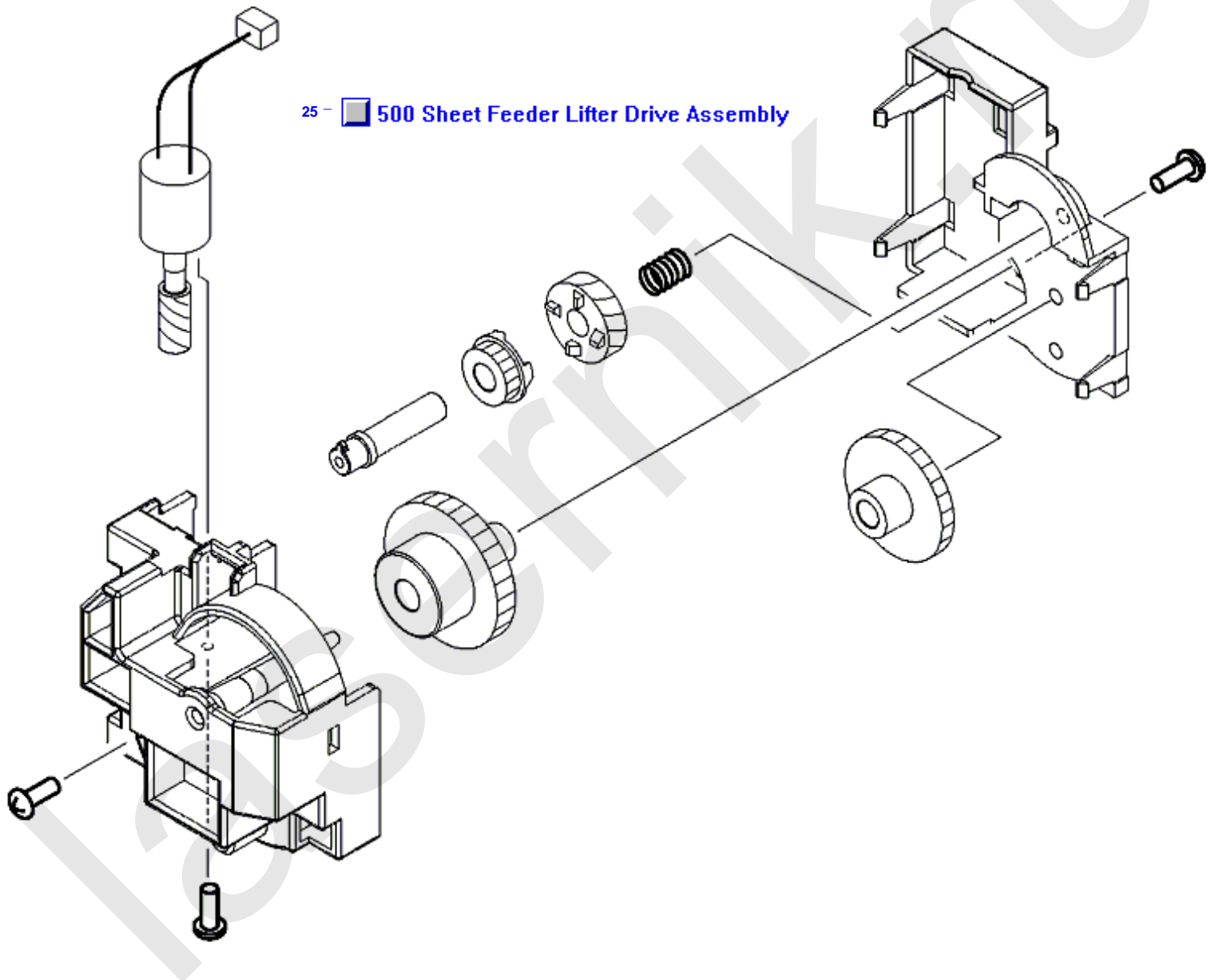
10 -  1500 Sheet Feeder Paper Pickup Drive Assembly



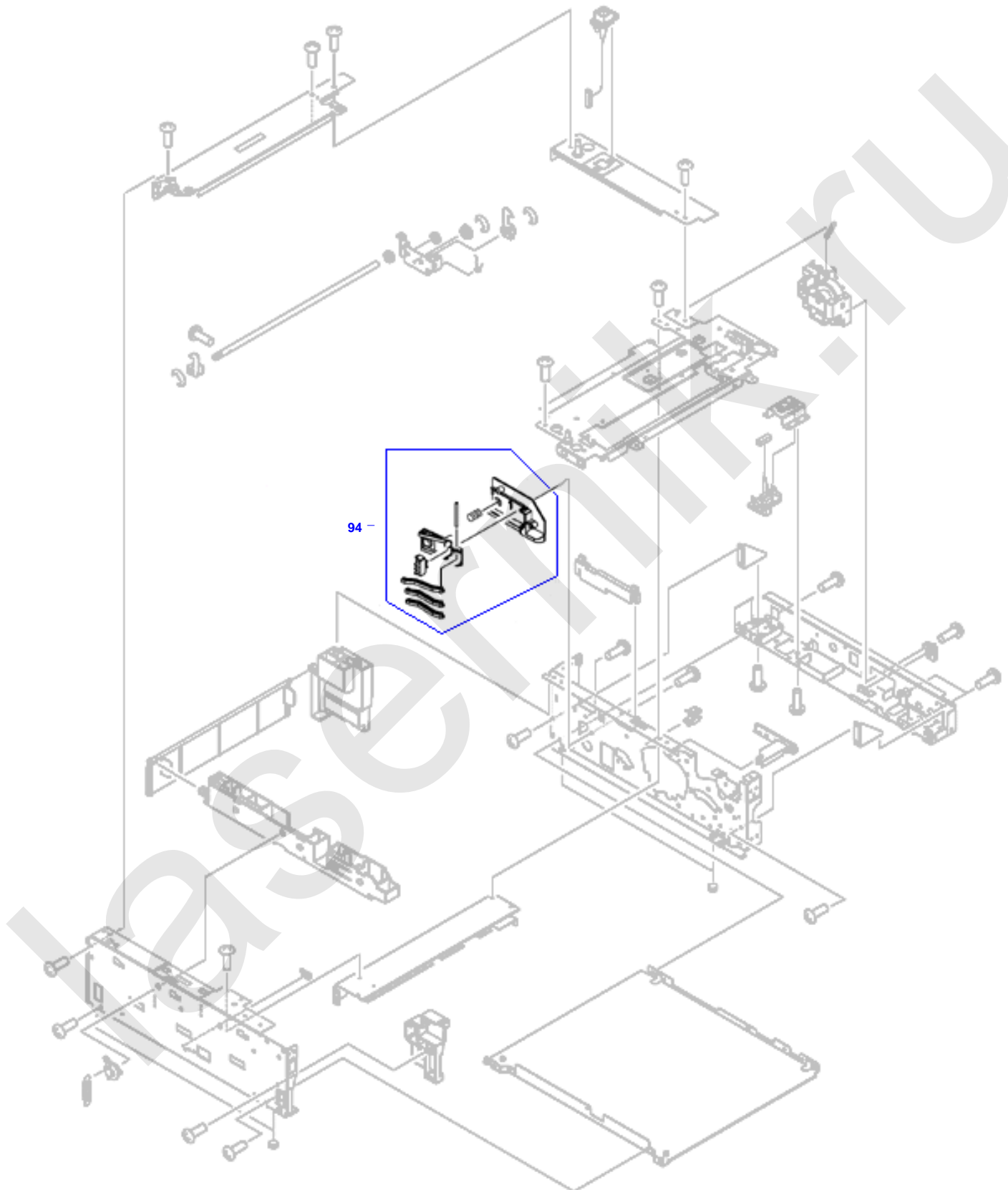
500 Sheet Feeder Covers and Panels



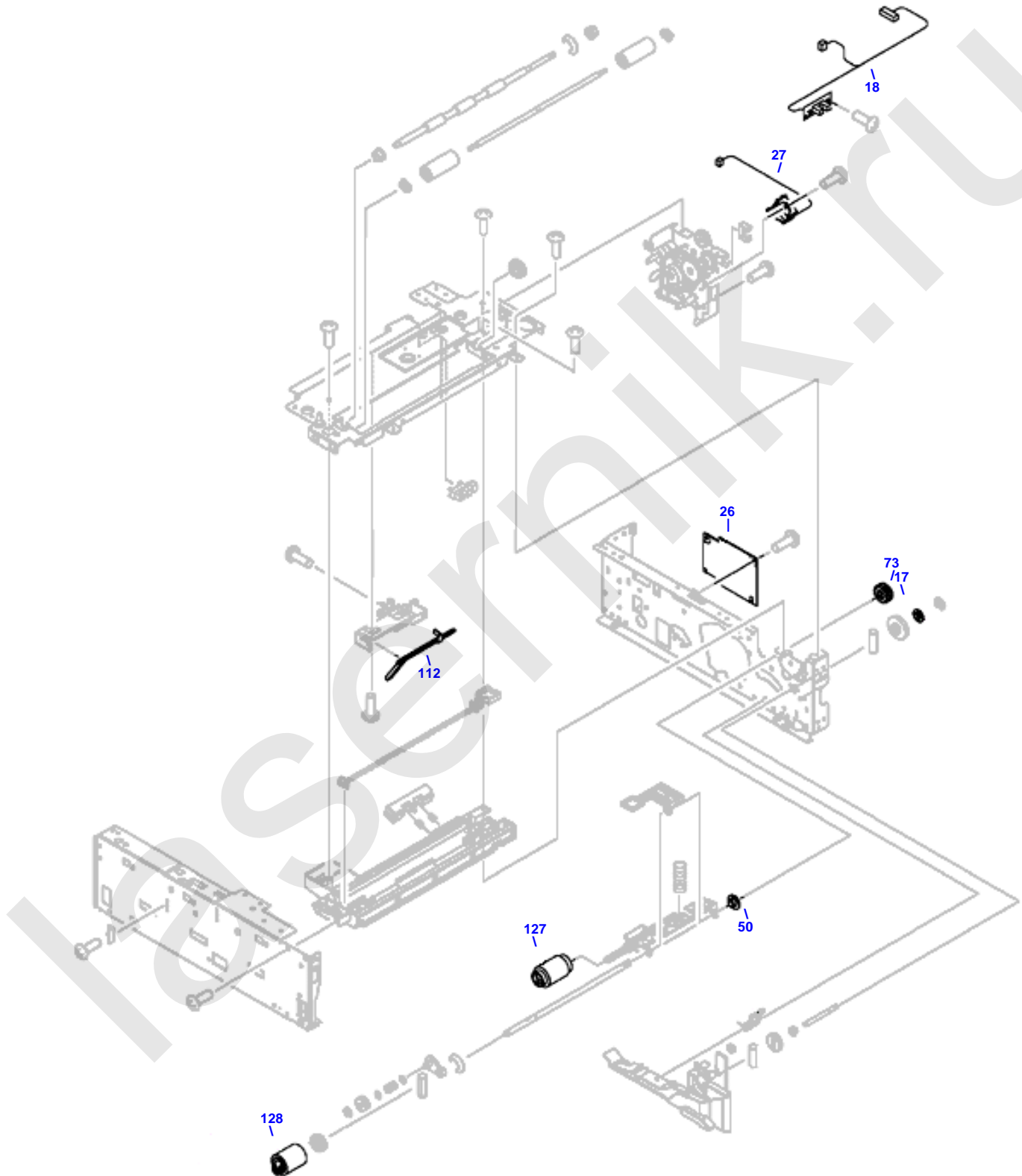
500 Sheet Feeder Lifter Driver Assembly



500 Sheet Feeder Main Assemblies (1 of 2)

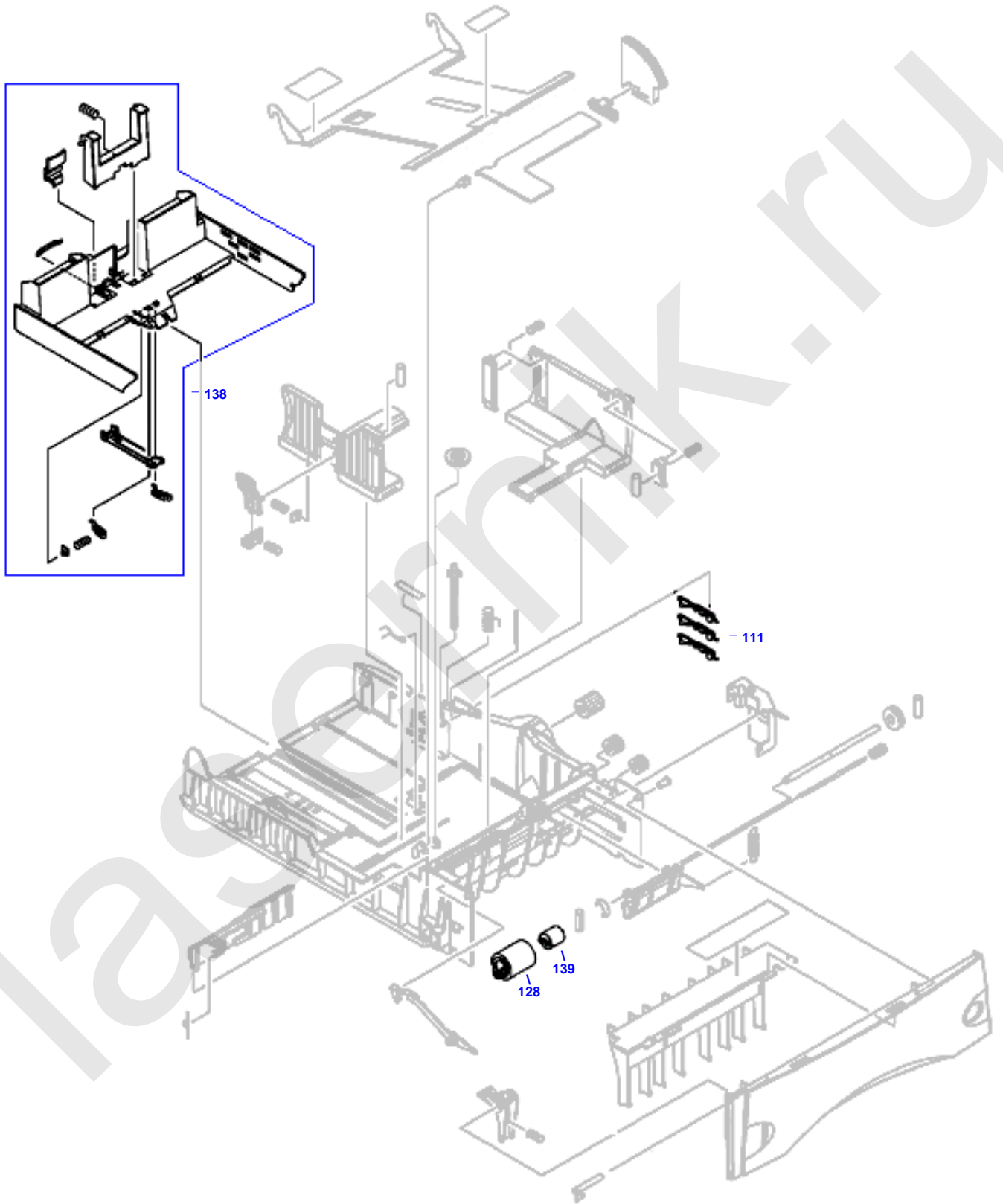


500 Sheet Feeder Main Assemblies (2 of 2)



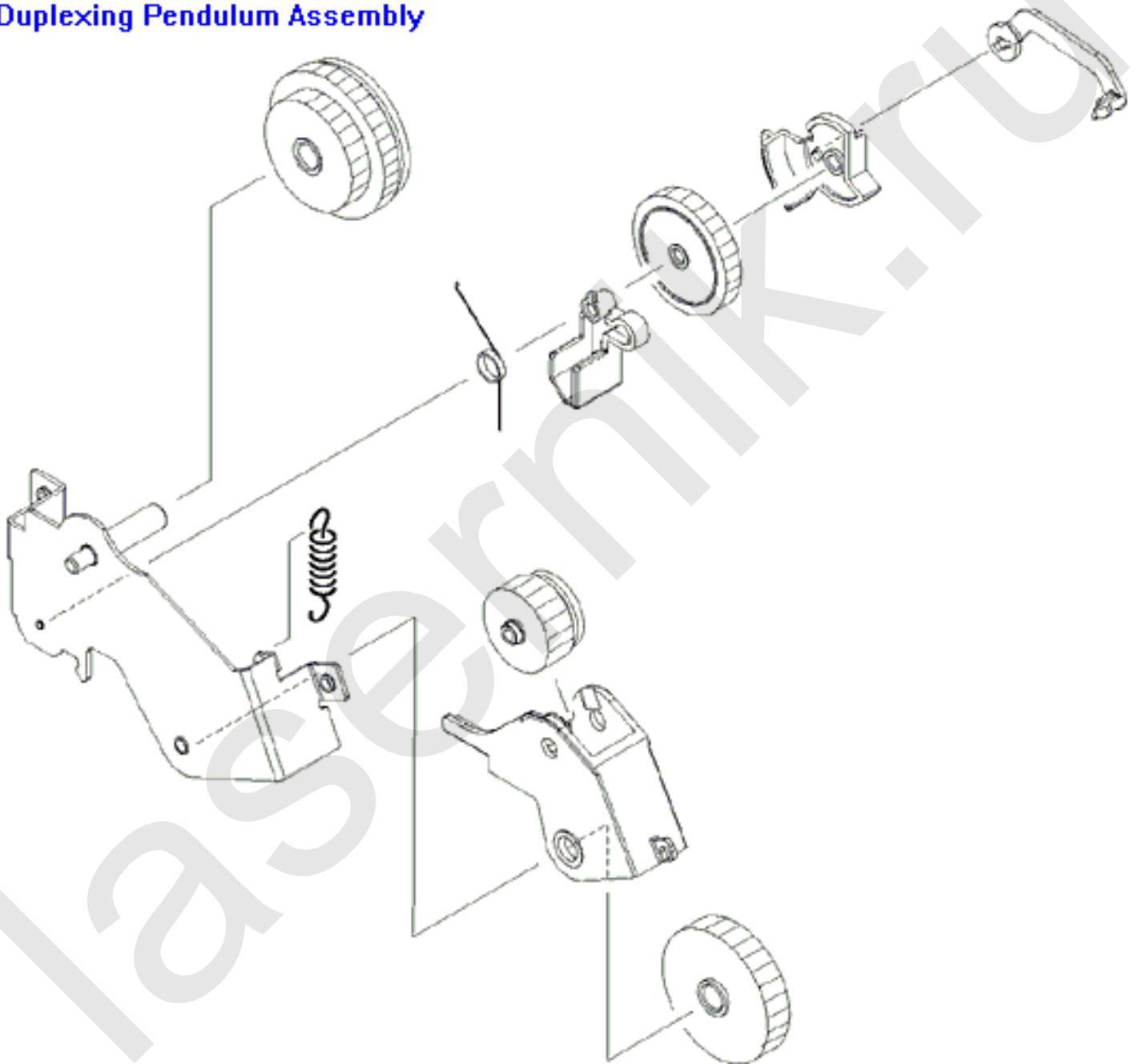


500 Sheet Tray

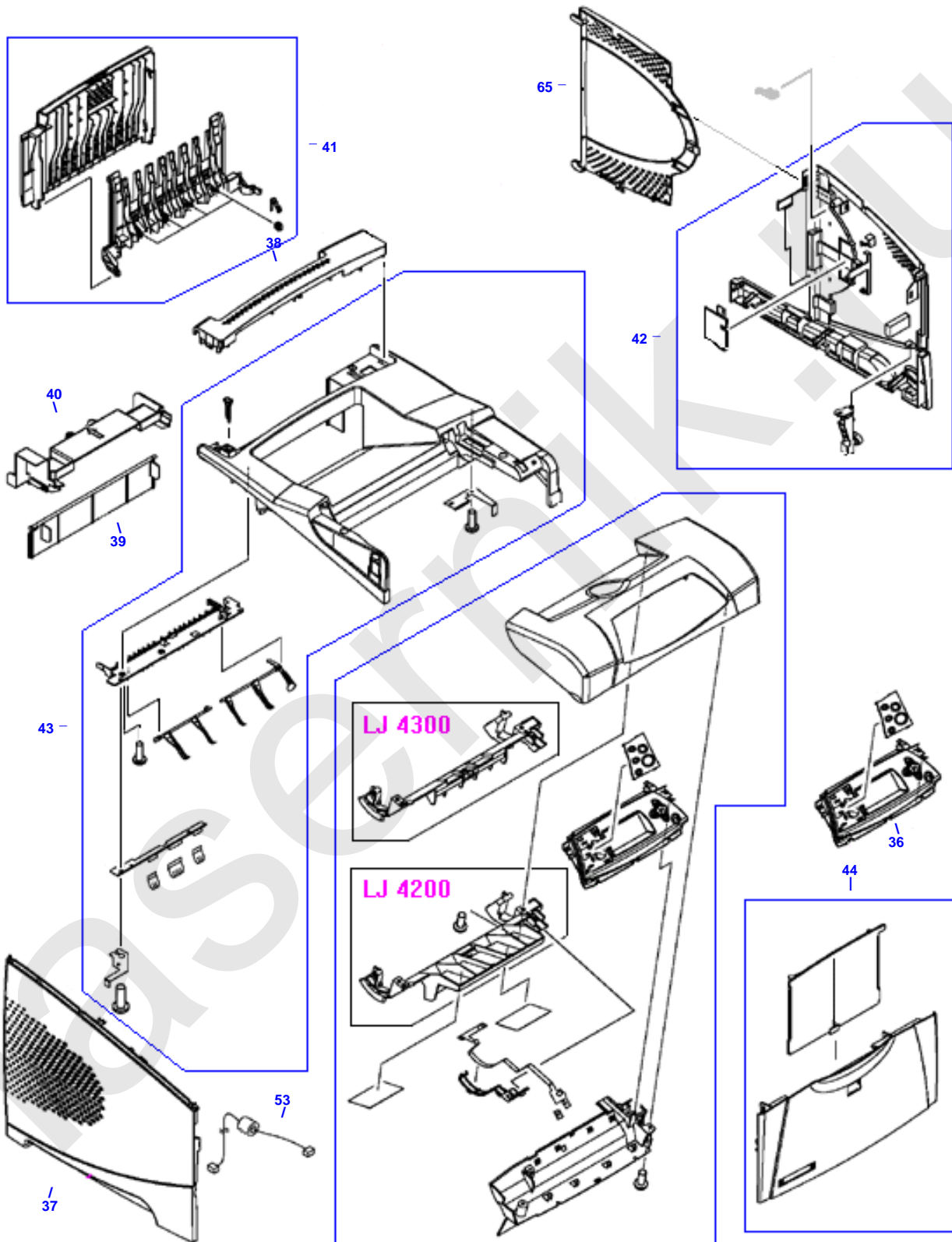


Duplexing Pendulum Assembly

4-  Duplexing Pendulum Assembly

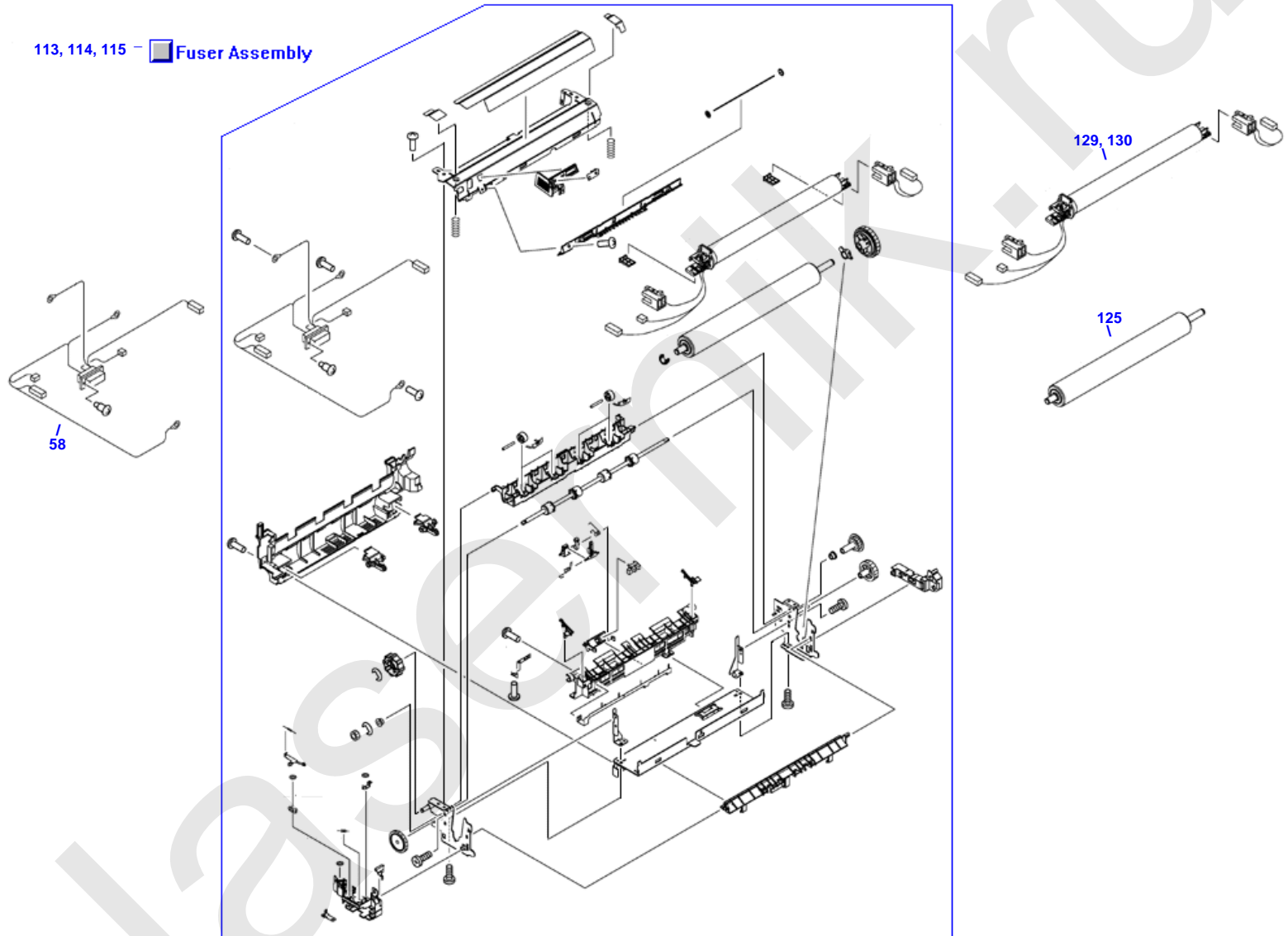


External Covers and Panels

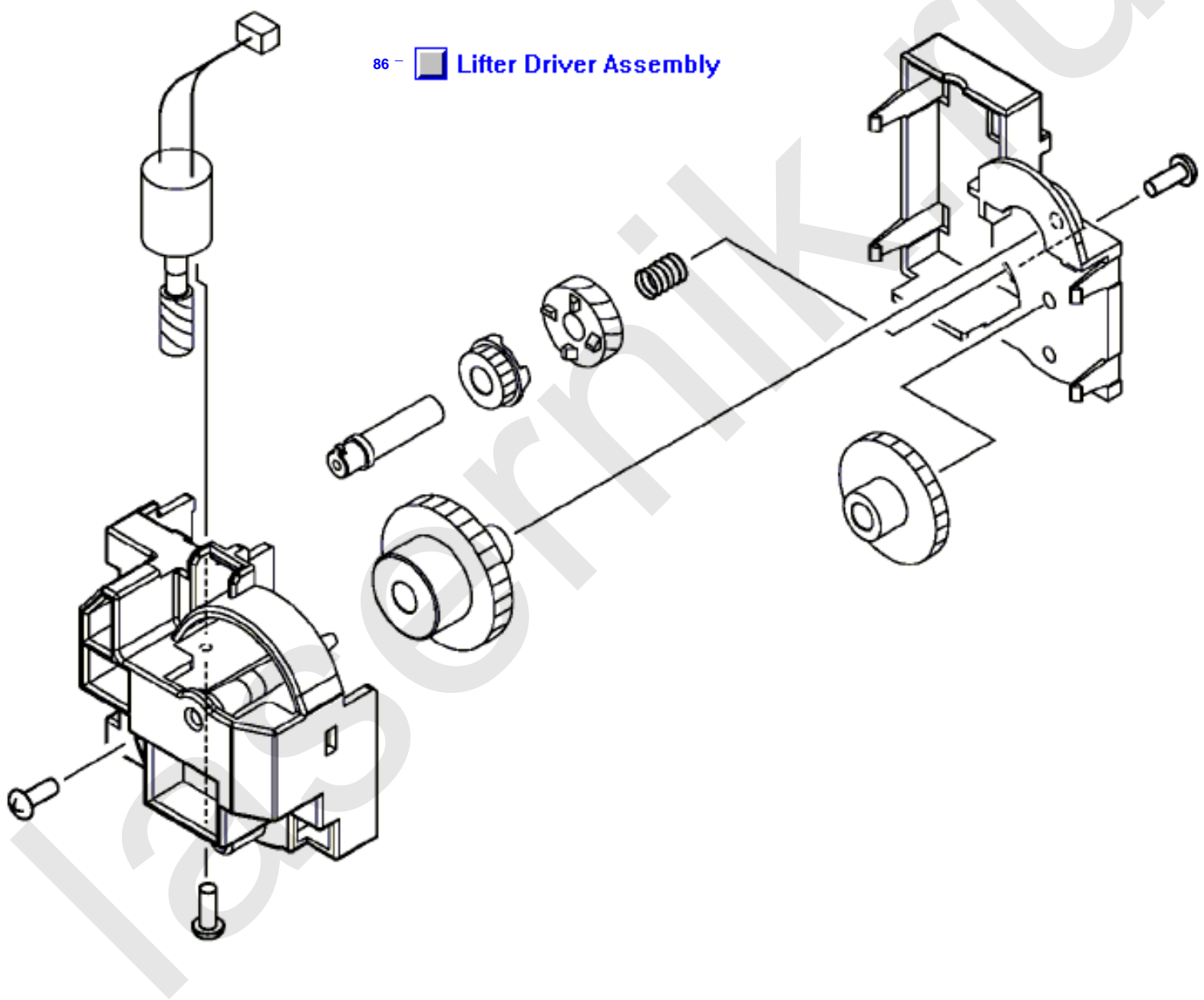


Fuser Assembly

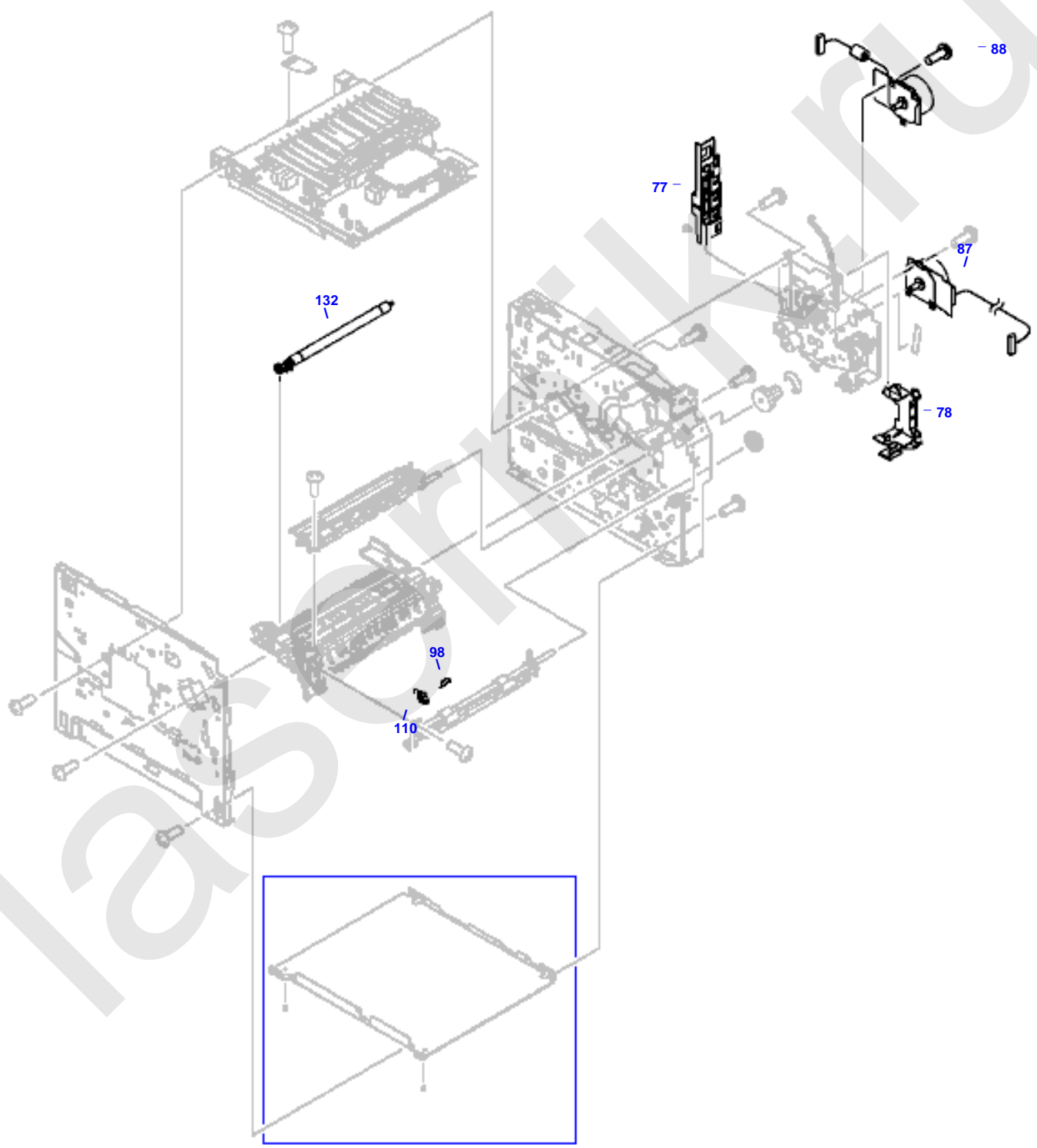
113, 114, 115 -  Fuser Assembly



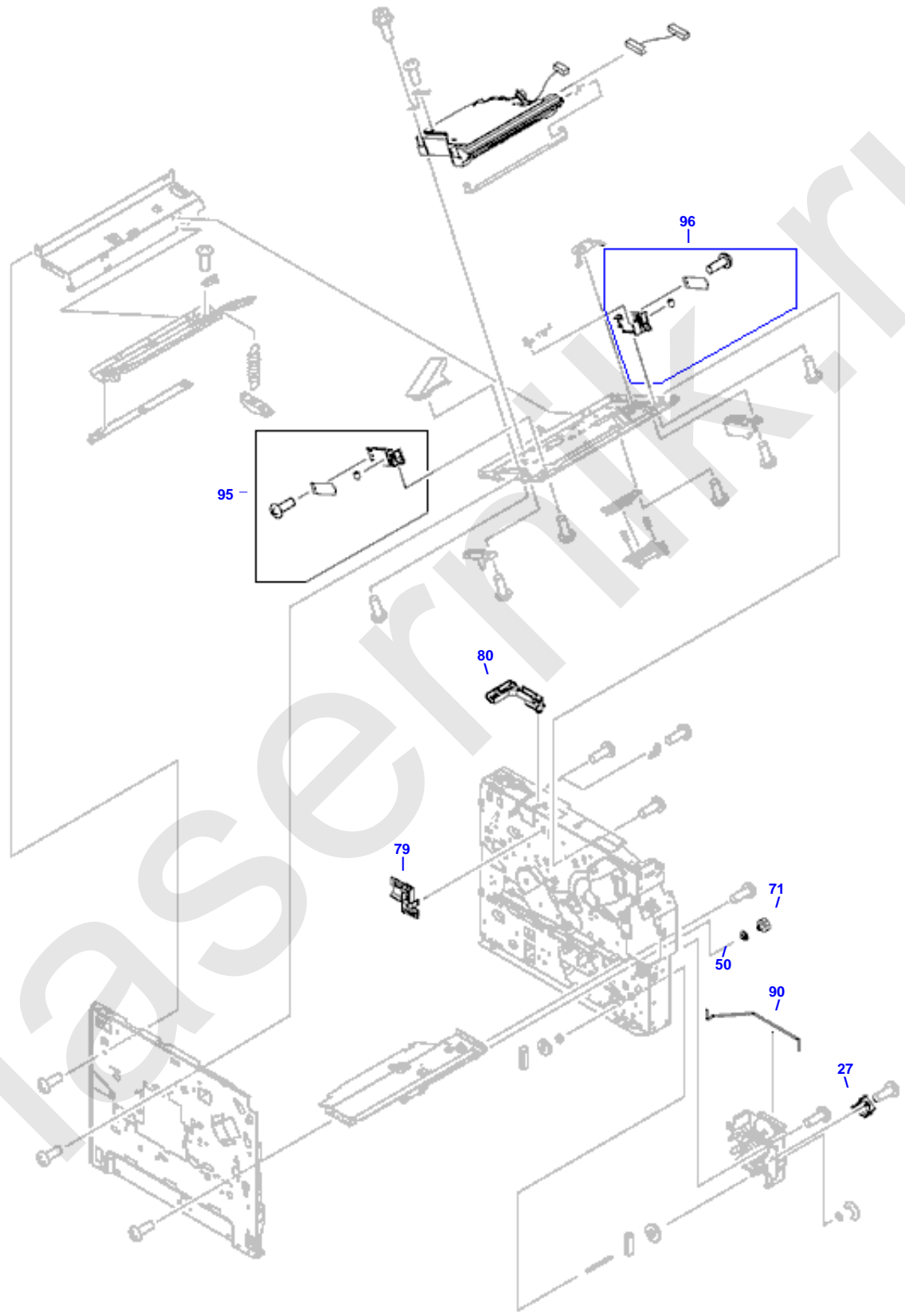
Lifter Driver Assembly



Main Assemblies (1 of 3)

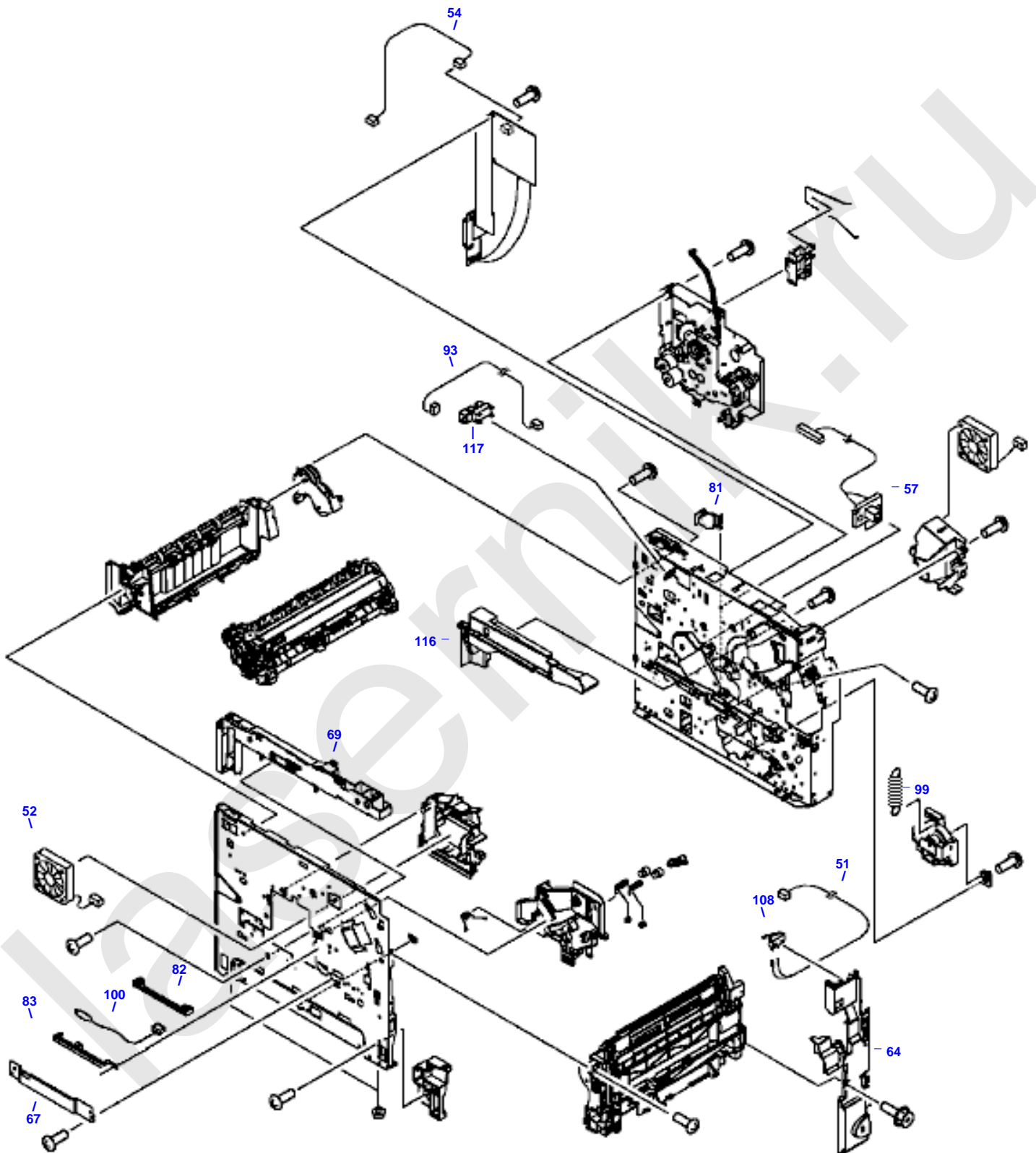


Main Assemblies (2 of 3)

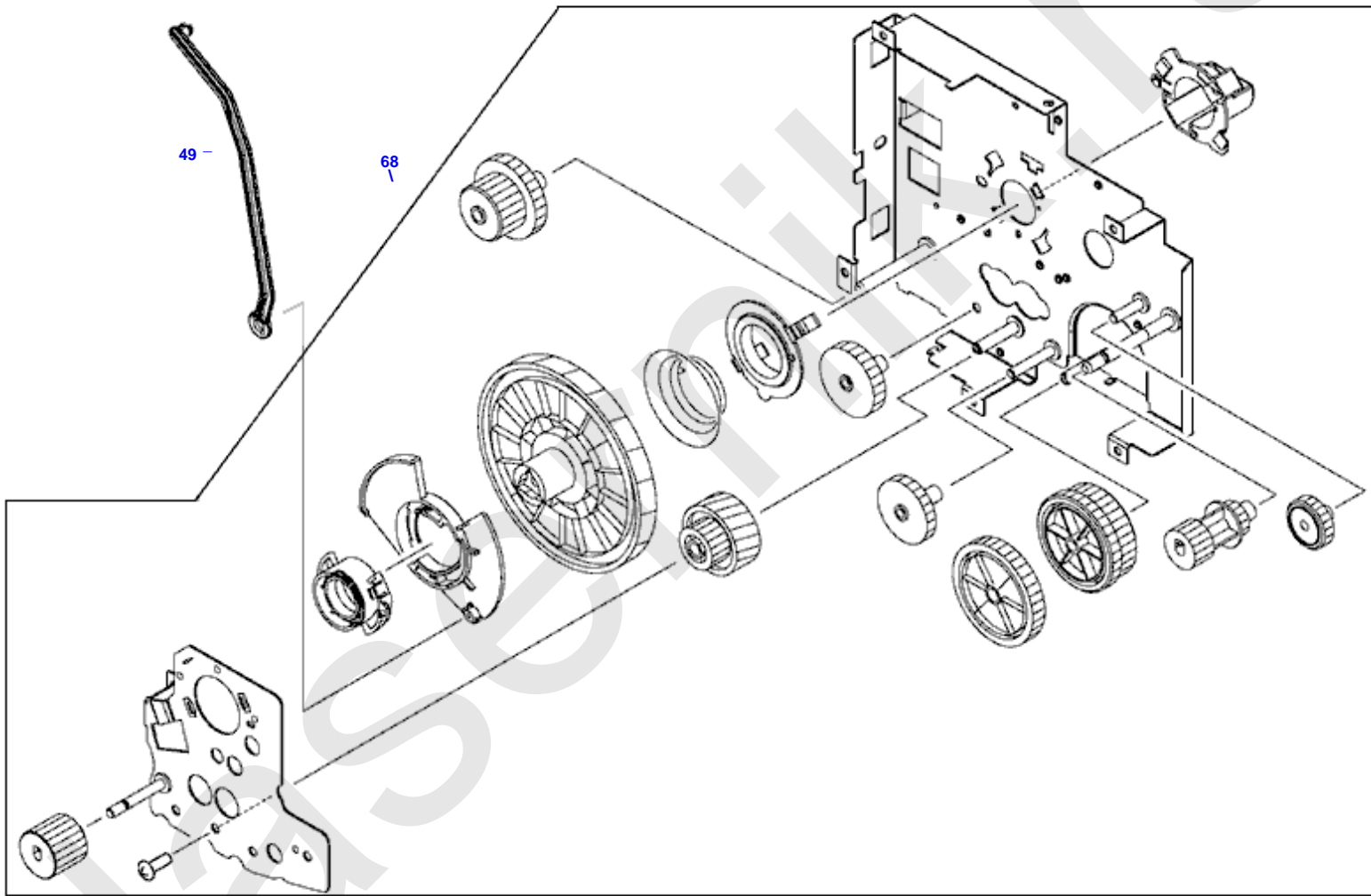




Main Assemblies (3 of 3)

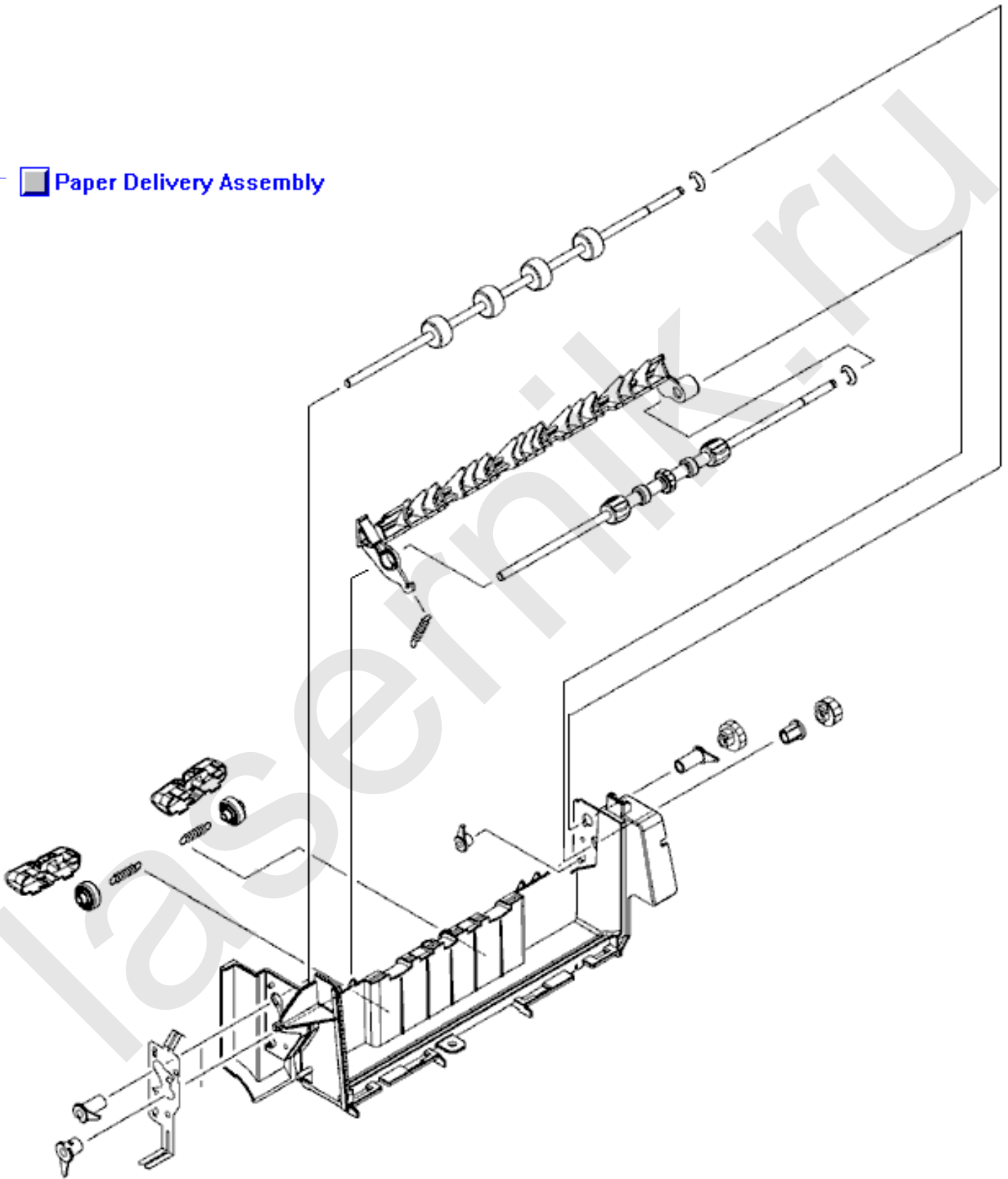


Main Drive Assembly

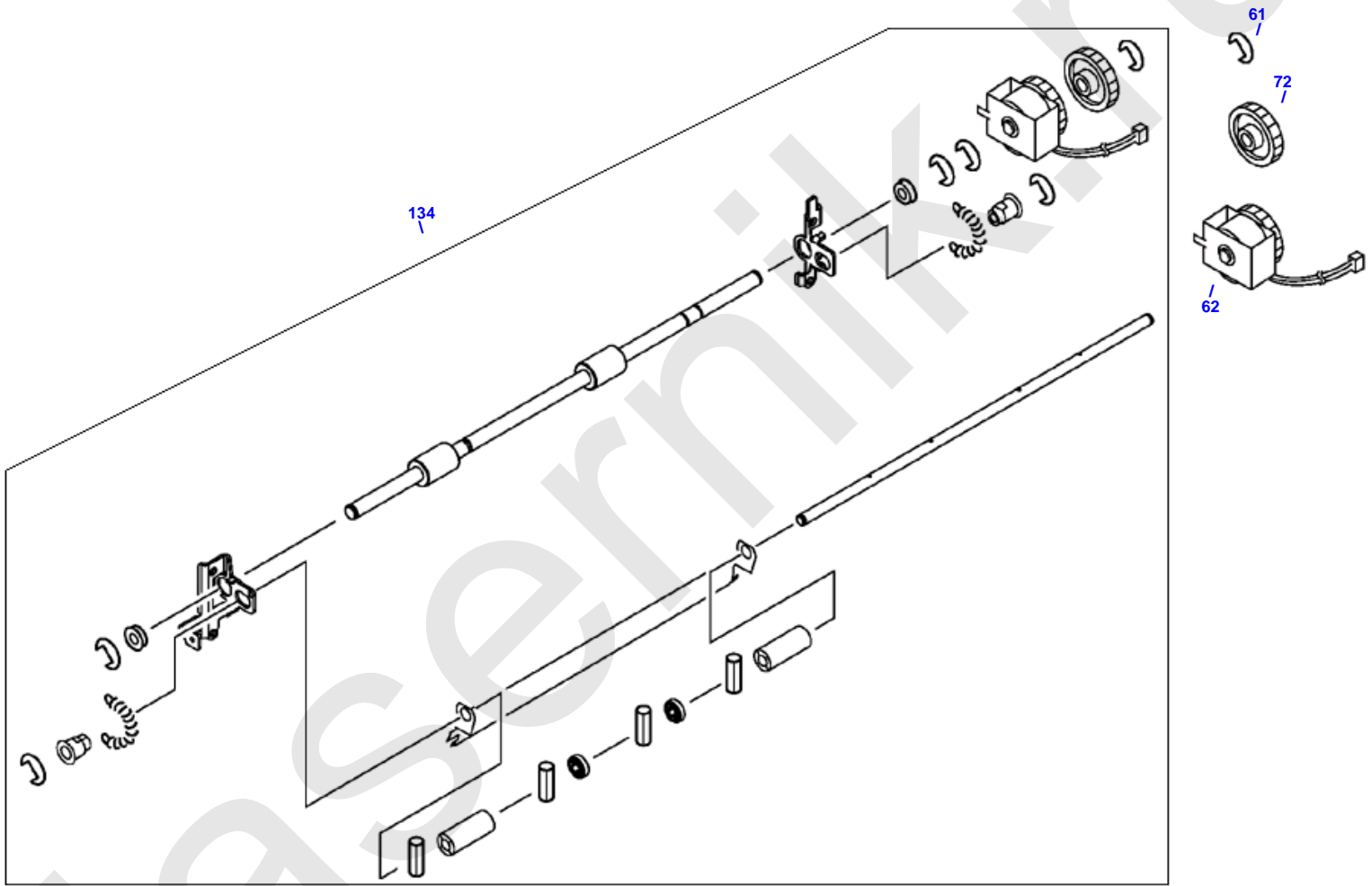


Paper Delivery Assembly

135 -  Paper Delivery Assembly

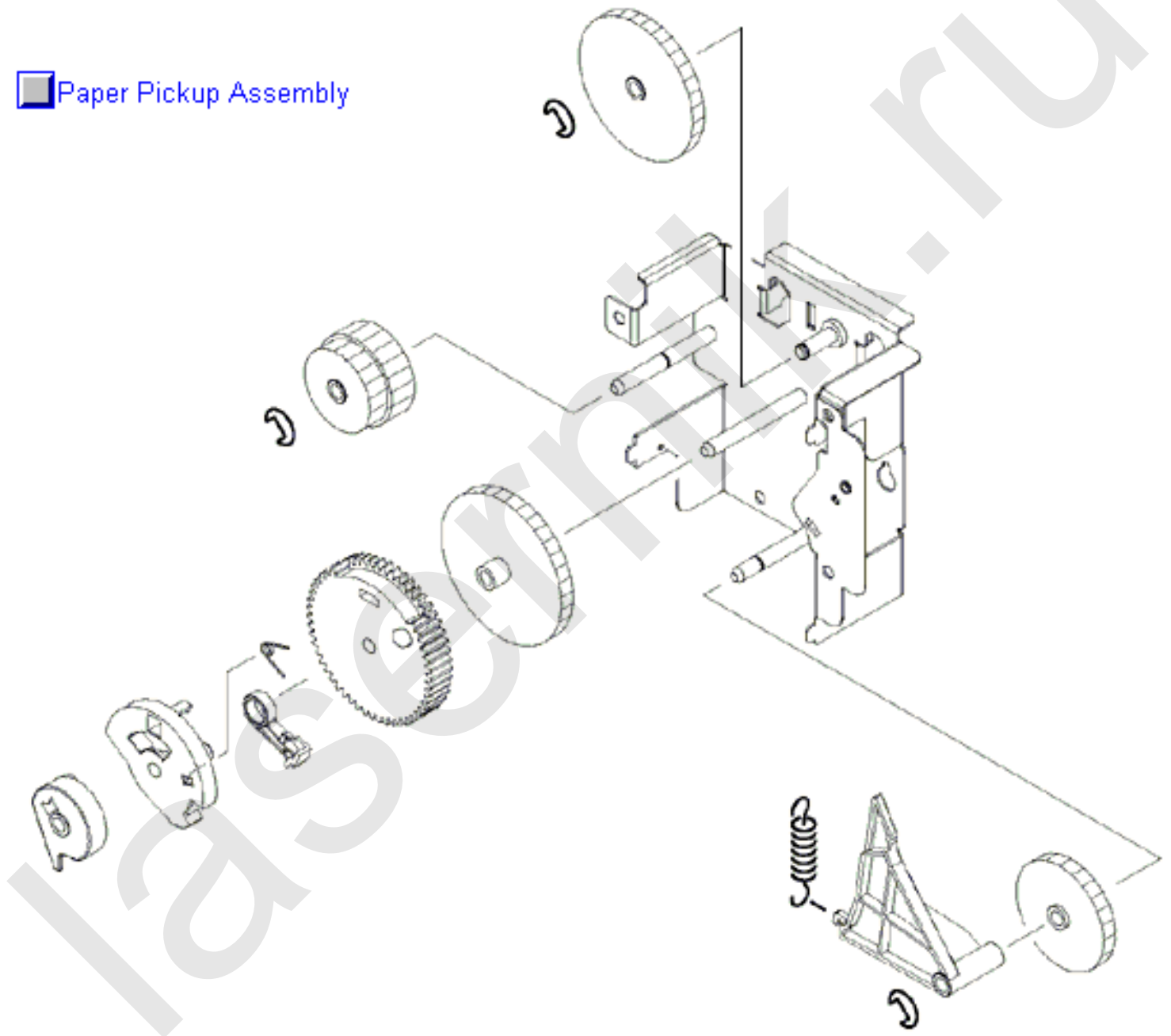


Paper Feed Assembly



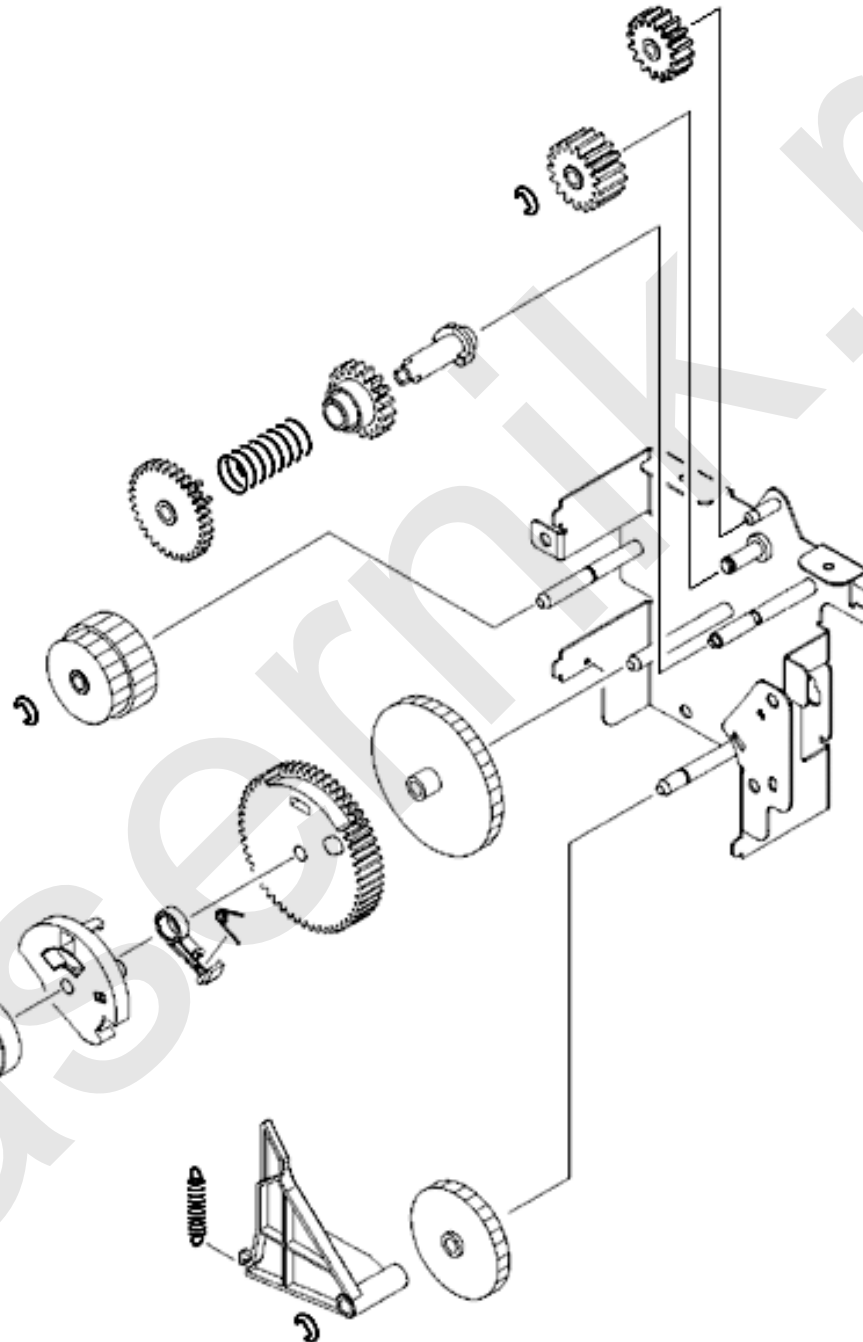
Paper Pickup Assembly

89 -  Paper Pickup Assembly

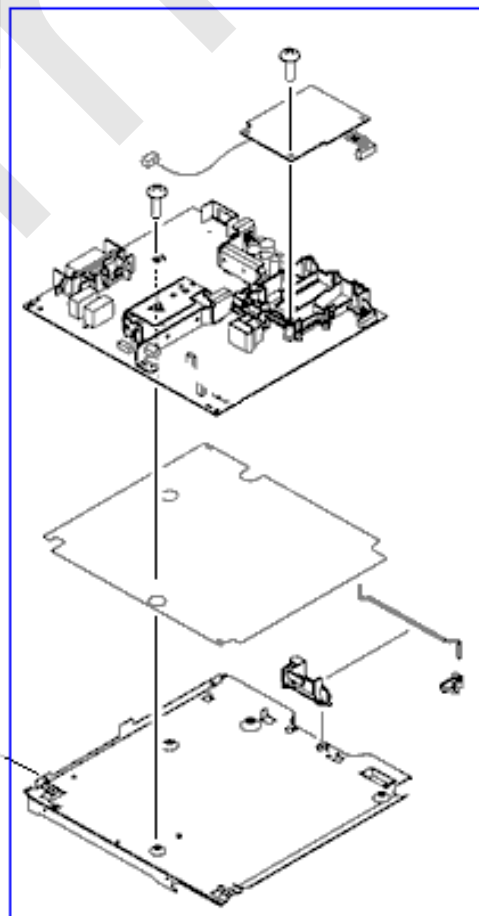
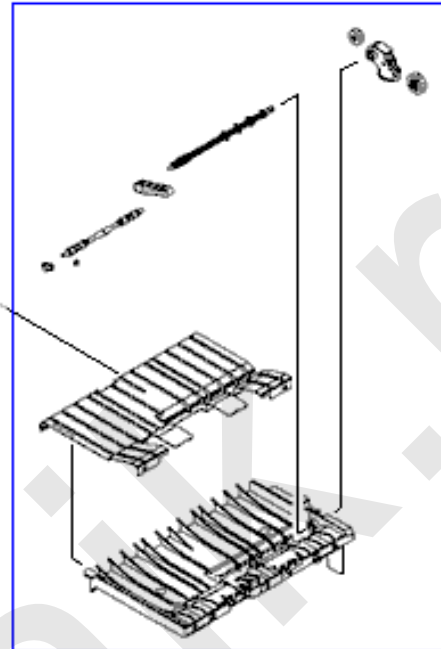


Pickup Drive Assembly

24 -  500 Sheet Feeder Pickup Drive Assembly



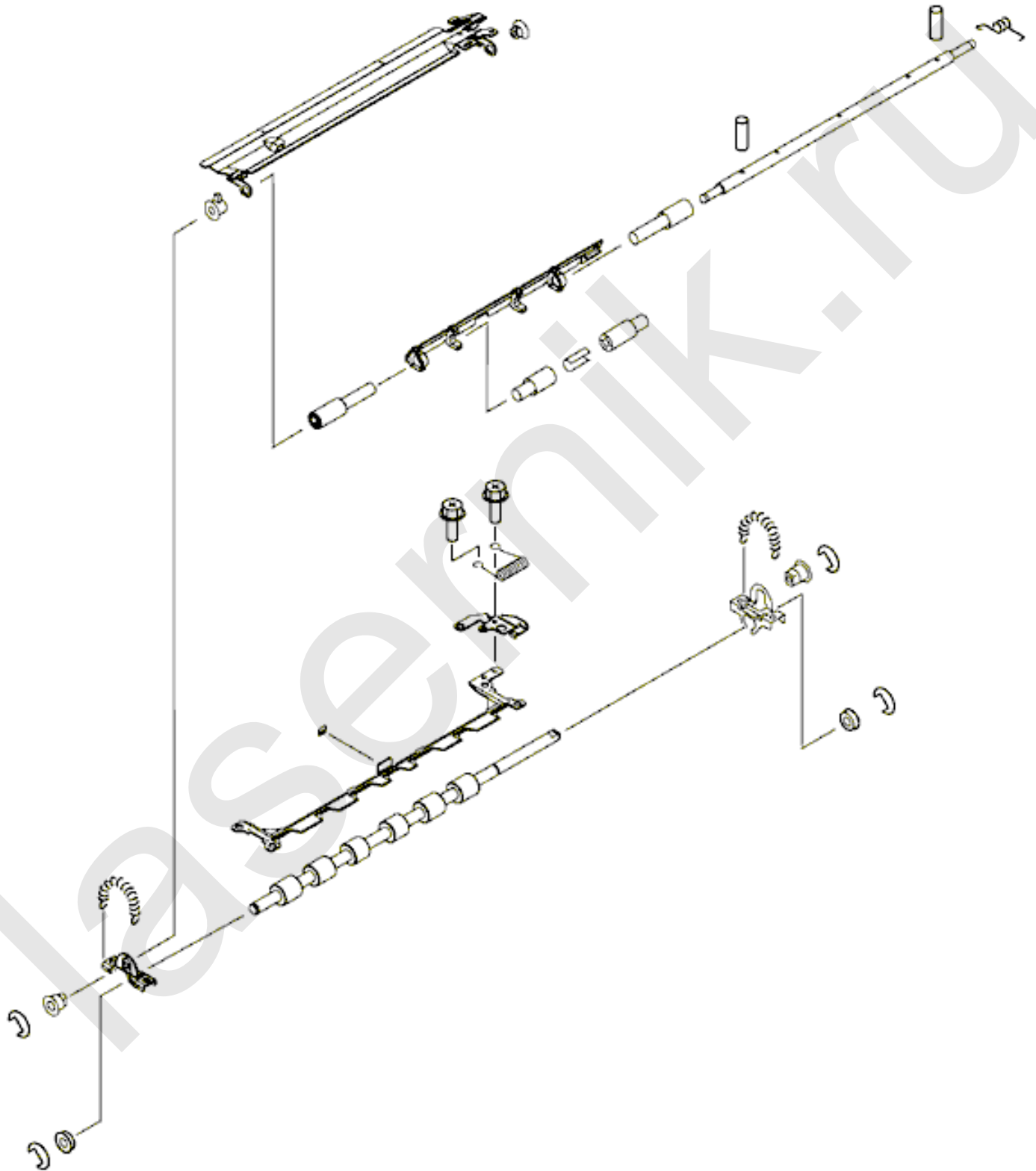
Power Supply and Feed Belt Assembly



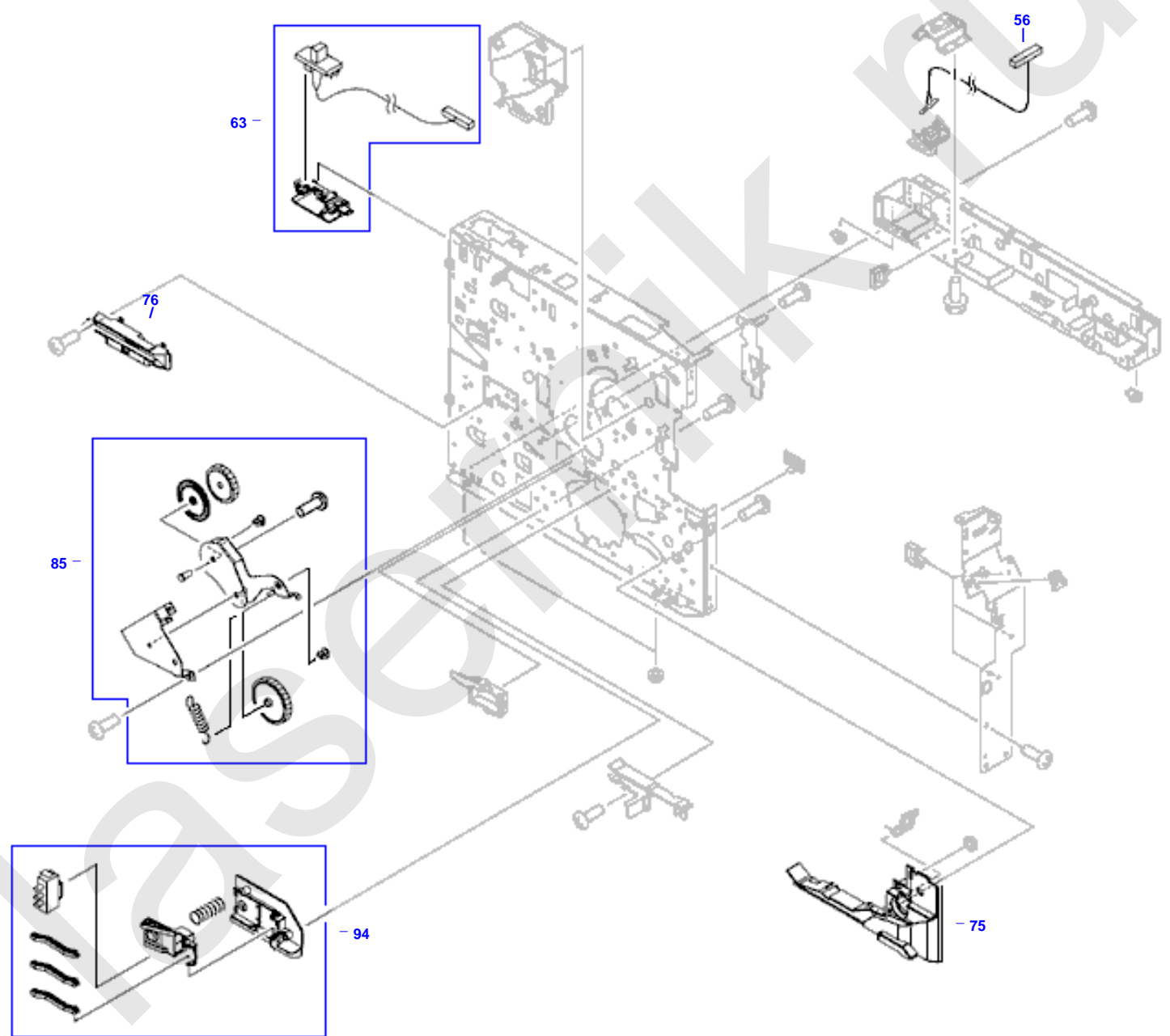


Registration Assembly

133  Registration Assembly

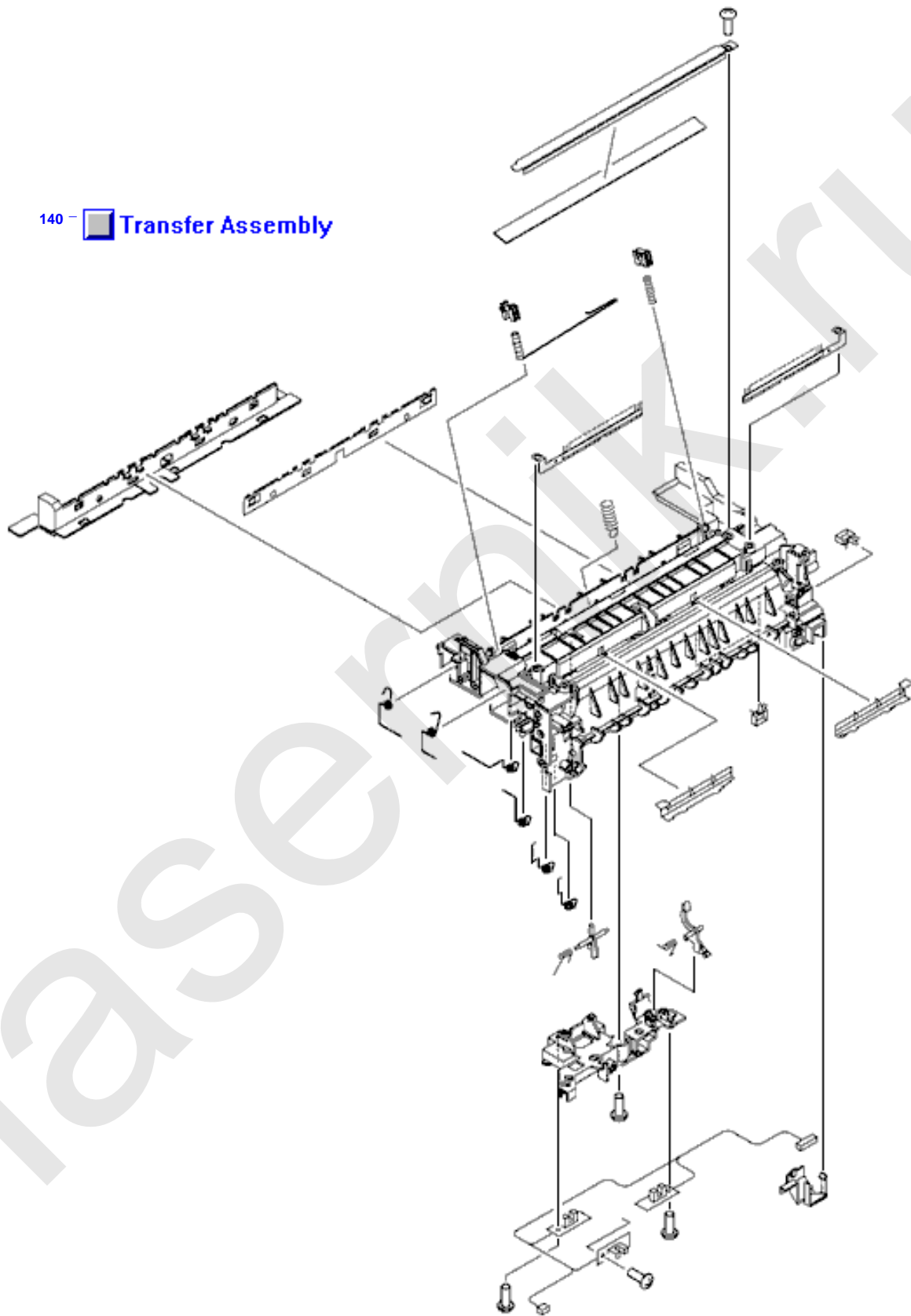


Right-side Assemblies

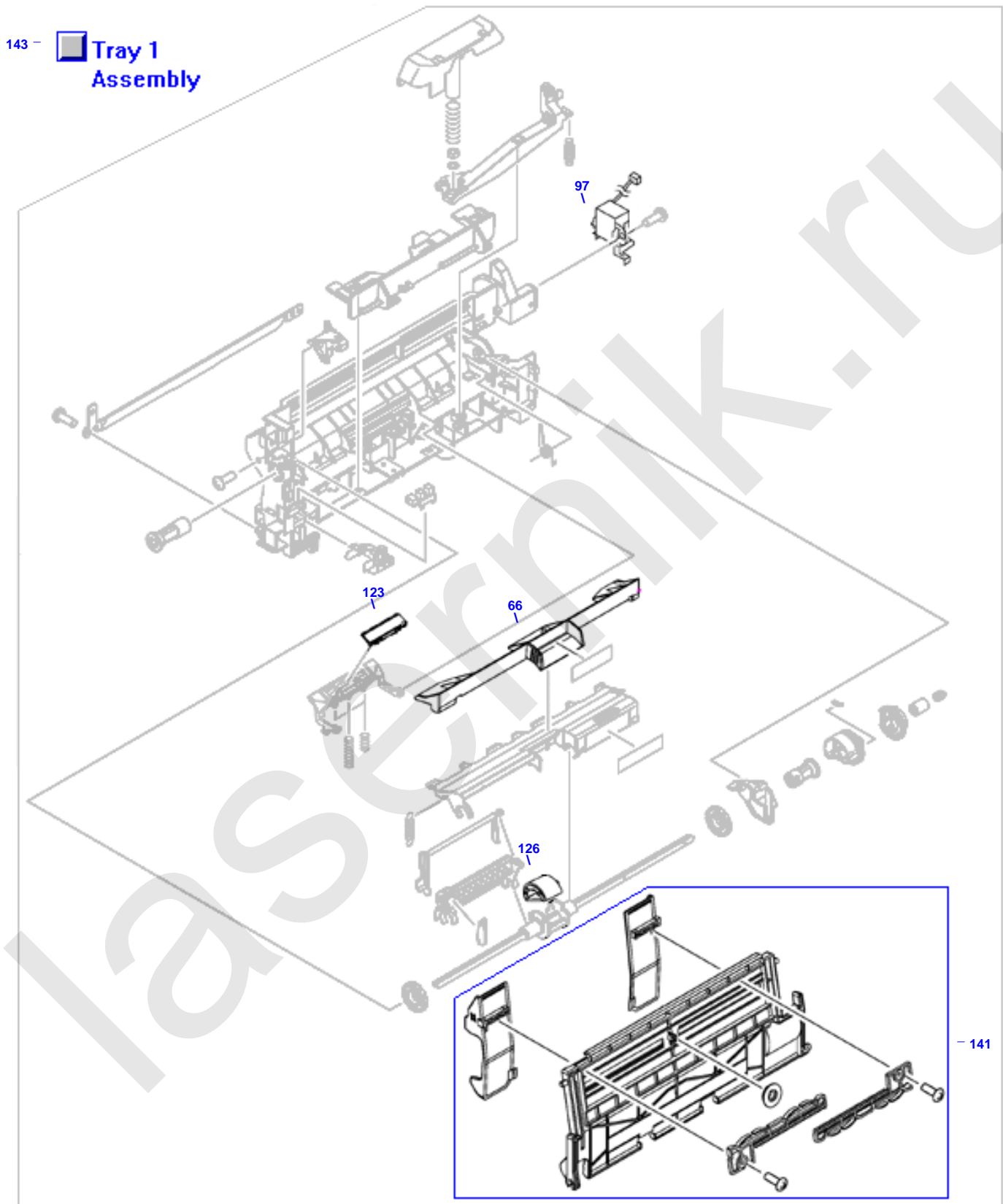


Transfer Assembly

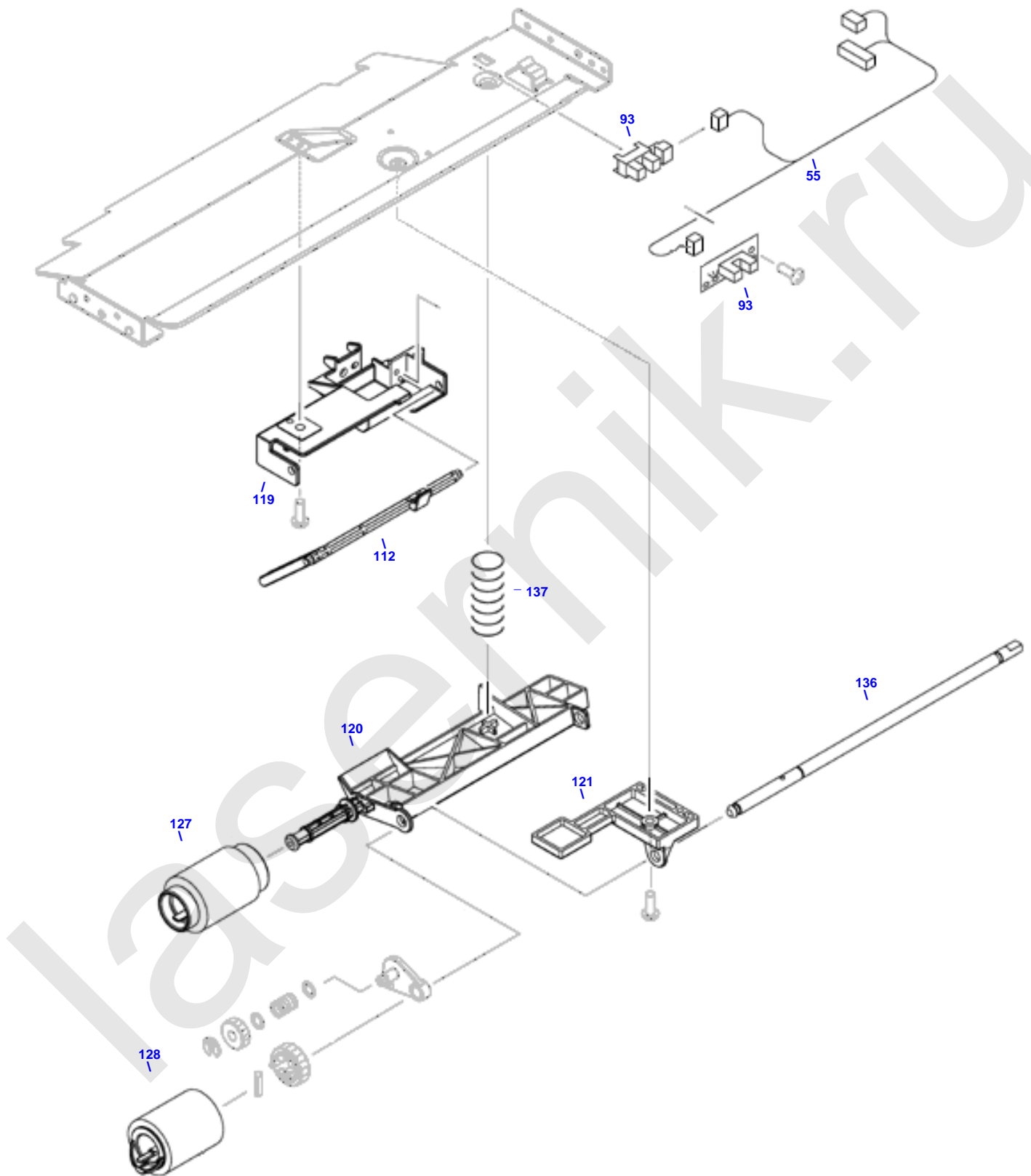
140 -  Transfer Assembly



Tray 1 Assembly



Tray 2 Pickup Assembly





**HP Parts Reference Guide**

<http://www.hp.com/go/parts>

**HP PartSurfer**

<http://partsurfer.hp.com>

**HP Parts Ordering Information**

<http://www.hp.com/go/hpparts>

**HP Parts Questions/Comments**

<http://partsurfer.hp.com/contactus.htm>

laser.nik.ru