



500 Sheet Tray

Bushing

1 RB1-8946-000CN Separation roller bushing

Clutch

2 RB1-8974-000CN Separation roller clutch - Torque limiter

Coupler

3 RB1-8945-000CN Separation roller/gear coupler

Lifter

4 RB1-8961-000CN Arm lifter - White plastic arm that holds top left side metal corner piece up when loading paper in tray

5 RB1-8962-000CN Arm lifter - White plastic arm that holds top right side metal corner piece up when loading paper in tray

Panel

6 RB1-8947-000CN Separation roller access panel

Roller

7 RF5-3114-000CN Feed roller

Spindle

8 RF5-2489-000CN Separation roller mounting assembly

Spring

9 RS5-2622-020CN Separation roller tension spring

ADF Unit Parts

Cover

17 RB2-8781-020CN ADF pickup and separation roller cover

Pad

18 RF5-3808-000CN ADF separation pad assembly

Roller

19 RG5-6583-000CN ADF separation roller

Spring

20 RS6-2572-000CN ADF compression spring - Provides pressure for ADF separation pad

Accessories

Cartridge

C8061X Black toner (EP) cartridge - With 'Micro-Fine' toner - Has maximum capacity toner (prints approximately 10,000 pages)

IR Assembly

C4103A HP FIR pod - Fast Infrared Connection pod

Kit

C8057-67903 Maintenance kit (120V) - Includes fusing assembly three separation rollers, transfer roller, three paper feed rollers, pickup roller and instruction manual

C8057-69003 Maintenance kit (120V) - Includes fusing assembly three separation rollers, transfer roller, three paper feed rollers, pickup roller and instruction manual
REQUIRES RETURN OF DEFECTIVE PART

C8057-67903 New Part for C8057-69003

C8057A Maintenance kit (120V) - Includes fusing assembly three separation rollers, transfer roller, three paper feed rollers, pickup roller and instruction manual

C8058A Maintenance kit (220V) - Includes fusing assembly three separation rollers, transfer roller, three paper feed rollers, pickup roller and instruction manual

H3970-60001 Roller kit - LaserJet 4100 series paper path roller kit - Kit contains 4 feed/separation rollers, 8 cassette pickup D-rollers, and 1 MP tray pickup roller - Installation of kit requires service manual

**C8055A 500 Sheet Feeder****Arm**

21 RB1-8879-000CN Paper tray sensing arm

Button

22 RB2-3497-000CN Release lever button

Cable

23 RG5-3711-000CN Optical sensor cable

24 RG5-3822-000CN Paper feeder cable

Clip

25 RB1-9397-000CN Grounding strap

Connector

26 RG5-3712-000CN Lower tray connector and cable

Cover

27 RB2-4836-000CN Rear tray cover

Drive Assembly

28 RG5-5293-000CN Optional 500 sheet paper pickup drive assembly

Frame

29 RG5-2689-030CN Upper frame assembly

30 RG5-5291-000CN Right side frame assembly

31 RG5-5292-000CN Left side frame assembly

Guide

32 RB1-8914-000CN Lower paper guide

33 RB1-8924-000CN Optional lower cassette support guide

34 RB1-9385-000CN Optional lower cassette support guide

Hook

35 RB1-2190-000CN Pick-up roller spring hook

Lever

36 RB2-2412-000CN Release lever - Actuated by release button

PC Board

37 RG5-5539-000CN Lower tray logic PCA - With tray size switches

Roller

38 RB1-8957-000CN Paper pick-up roller - 'D' roller (Sold individually)

39 RF5-3114-000CN Feed roller

Sensor

40 WG8-5362-000CN Optical sensor

Spring

41 RS5-2632-000CN Tension spring - Provides tension for pickup roller

42 RS5-2658-000CN Release lever spring - Provides tension for tray release lever

Duplexer Components**Cover**

43 RB1-9045-000CN Duplexer rear cover panel

44 RB2-4766-000CN Duplexer access top cover

45 RB2-4768-000CN Right side duplexer cover

46 RF5-3092-000CN Left side duplexer cover - With connector

Duplexer Components**Fan**

47 RH7-1361-000CN Duplexer fan - 24VDC

Electronic Accessories**Cable (Interface)**

C2951A IEEE-1284 Bi-Tronics parallel cable - DB-25 (M) connector (type A) to 36 pin Centronics (M) connector (type B) - 3.0m (9.8ft) long

Drive

J6054-61001 5GB EIO hard drive - (J6054A)

J6054-61031 *New Part for J6054-61001***Duplexer**

C8054-69001 Duplexer assembly - For 2 sided printing

C8054A Optional duplexer assembly - For 2 sided printing

Envelope Feeder

C8053A Power envelope feeder - Holds 75 monarch, C5, DL, B5, or COM10 envelopes

C8053B *New Part for C8053A***Firmware**

C4168-67907 ROC DIMM - Firmware version 01.040.2

Interface (Product)

J3110A Ethernet 10Base-T (RJ-45) EIO network internal print server PC board

J3111A Ethernet 10Base-T/10Base2 and LocalTalk (RJ-45, BNC, LocalTalk) EIO network PCA

J4135A JetDirect connectivity card - Has one USB port, one serial (DB9) port and one LocalTalk port - Plugs in the EIO slot on selected DesignJet and LaserJet printers

J4169A JetDirect 610N internal print server (10Base-T and 100Base-TX) LAN interface board - Plugs into peripheral EIO slot - Has a RJ-45 connector - Comes with software on CD-ROM and manual

J6057A JetDirect 615N internal print server (10Base-T and 100Base-TX) LAN interface board - Plugs into peripheral EIO slot - Has a RJ-45 connector - Comes with software on CD-ROM and manual

J6057AR JetDirect 615N internal print server (10Base-T and 100Base-TX) LAN interface board - Plugs into peripheral EIO slot - Has a RJ-45 connector - Comes with software on CD-ROM and manual

Memory (DIMM)

C7842-67901 8MB, 100-pin SDRAM DIMM memory module

C7843-67901 16MB, 100-pin SDRAM DIMM memory module

C7845-67901 32MB, 100-pin SDRAM DIMM memory module

C7846-67901 64MB SDRAM - 100MHz synchronous DRAM - DIMM package

Q1887-67901 *New Part for C7846-67901***Memory (Product)**C4140A 4MB, 100-pin SDRAM DIMM memory module
NO LONGER SUPPLIEDC7842A *New Part for C4140A*

C4286A 2MB flash DIMM memory - Font storage device

C4292A 8MB Traditional Chinese MROM DIMM - For LaserJet 4000 and 5100 series printers

C4293A 8MB Simplified Chinese MROM DIMM - For LaserJet 4000 and 5100 series printers

C7842A 8MB, 100-pin SDRAM DIMM memory module

C7843A 16MB, 100-pin SDRAM DIMM memory module

C7845A 32MB, 100-pin SDRAM DIMM memory module

C9121A 128MB, 100MHz synchronous SDRAM DIMM memory module

Q1887A 64MB, 100-pin synchronous SDRAM DIMM memory module



Electronic Accessories

PC Board (Interface)

- J4169-69001 JetDirect 610N internal print server 10Base-T and 100Base-T LAN interface board - Has one RJ-45 connector
- J6057-69001 *New Part for J4169-69001*

Envelope Feeder

Tray

- 74 RB2-4734-020CN Envelope feeder input tray

Weight

- 75 RG5-2734-000CN Envelope weight assembly - Pivot mount and tension weight

External Case Parts

Button

- 76 RB1-8849-030CN Power switch button

Clip

- 77 RB1-8860-000CN Right side panel retainer clip

Cover

- 78 RB1-8858-000CN Formatter board cover panel
- 79 RB2-4827-000CN Duplexer cover
- 80 RG5-2664-070CN Right front cover assembly
- 81 RG5-5098-000CN Left side cover assembly - Includes panel retainer clip

Overlay

- 82 C9148-40001 Control panel overlay - Right side (English)
- 83 C9148-40002 Control panel overlay - Right side (French)
- 84 C9148-40003 Control panel overlay - Right side (Italian)
- 85 C9148-40004 Control panel overlay - Right side (German)
- 86 C9148-40005 Control panel overlay - Right side (Spanish)
- 87 C9148-40008 Control panel overlay - Right side (Finland)

Tray

- 88 RG5-5097-000CN Drop down rear output tray - Includes pull-out extension

Fusing Assembly Parts

Fusing Assembly

- 89 C8049-69013 Fusing assembly - 110 volts
REQUIRES RETURN OF DEFECTIVE PART
- RG5-5063-340CN *New Part for C8049-69013*
- 90 C8049-69014 Fusing assembly - 220 volts
REQUIRES RETURN OF DEFECTIVE PART
- RG5-5064-340CN *New Part for C8049-69014*
- RG5-5063-340CN Fusing assembly - 110 volts

Heating Roller

- RG5-5068-090CN Fusing roller - Heating element and film sleeve - 110V
- RG5-5069-090CN Fusing roller - Heating element and film sleeve - 220V

Roller

- RB2-4927-020CN Fuser assembly delivery roller
- RB2-4937-000CN Fusing assembly pressure roller

Internal Components**Actuator**

- 96 RB1-8756-000CN Toner cartridge drive rod
- 97 RB1-8851-000CN Power switch actuator rod

Antenna

- 98 RG5-5273-000CN Antenna assembly

Arm

- 99 RB1-8700-000CN Laser shutter arm

Bracket

- 100 RB2-5008-000CN Cartridge memory antenna mounting bracket (support plate)

Cable

- RG5-3710-000CN Paper feeder module cable
- 102 RG5-3711-000CN Optical sensor cable
- 103 RG5-5341-000CN Tray 1 sensor cable
- 104 RG5-5343-000CN Paper feed and tray 1 pickup solenoid cable
- 105 RG5-5344-000CN Envelope feeder cable with connector
- 106 RG5-5345-000CN Top cover switch cable
- 107 RG5-5346-000CN Main motor cable
- 108 RG5-5348-000CN Cable assembly - A 7 pin (F) connector to both a 27.9cm (11 inch) cable with a 4 pin (F) connector and a 36.8cm (14.5 inch) cable with a 3 pin (F) connector
- 109 RG5-5349-000CN Cable assembly - 13 pin (F) connector to 12 pin (F) connector - 30.8cm (12.1 inches) long
- 110 RG5-5350-000CN Laser/scanner assembly laser cable
- 111 RG5-5351-000CN Formatter assembly cable
- 112 RG5-5357-000CN Feed/registration sensor assembly cable
- 113 RG5-5358-000CN Duplexer cable
- 114 RG5-5470-000CN Cable assembly - Has two 10 pin (F) connectors - 33.0cm (13 inches) long
- 115 RG5-5471-000CN Antenna cable

Clip

- 116 RB2-4969-000CN Registration assembly grounding clip
- 117 RB2-4986-000CN Fan mounting clip

Connector

- 118 RG5-3712-000CN Lower tray connector and cable

Cover

- 119 RG5-2669-050CN Feeder cover left side
- RG5-5274-000CN Front right side inner cover assembly

Drive Assembly

- 121 RG5-5087-000CN Print drive gear assembly
- 122 RG5-5095-000CN Delivery drive assembly

Fan

- 123 RH7-1442-000CN Main cooling fan

Frame

- 124 RG5-5072-000CN Tray 2 upper frame assembly
- 125 RG5-5278-000CN Right side tray 2 frame assembly with paper size PCB



Internal Components

Gear Assembly

126 RG5-3723-000CN MP tray coupler gear and mounting plate

Guide

127 RB1-8704-030CN Bottom cable guide

Hardware

128 RB2-5013-000CN Screw - M4 x 8.3mm

Holder

129 RB2-4992-000CN Formatter board cable holder - Right side

Insulator

RB2-4975-000CN Insulation sheet - Insulator sheet for controller board

Laser/Scanner

131 RB1-8699-000CN Laser/scanner shutter

Lever Assembly

132 RB2-4837-000CN Tray size sensing lever assembly

Motor

133 RH7-1504-000CN Main motor assembly

Mount

134 RB2-4996-000CN Thermistor mount for TH3

Paper Pick-Up

135 RG5-5084-040CN Tray 1 paper pickup assembly

Plate

136 RB2-5002-000CN Continuity plate

Sensor

137 WG8-5362-000CN Optical sensor

Spring

138 RB1-8702-000CN Laser shutter spring - Provides tension for laser shutter

139 RB2-4122-000CN Tray 1 hinge spring

140 RB2-4997-020CN Toner cartridge grounding spring

Support

141 RB2-5003-000CN Top cover left side support

Thermistor

142 RH7-7116-000CN Environment temperature detection thermistor - Detects ambient air temperature to determine length of time for fuser warm up.

Tray

143 RG5-2656-080CN Paper input tray (Tray 1) - Multi-Purpose tray assembly

LaserJet Electronics

Laser/Scanner

144 C8049-69005 Laser/scanner assembly
REQUIRES RETURN OF DEFECTIVE PART

RG5-5100-080CN *New Part for C8049-69005*

Power Cord

8120-8381 Power cord (Flint Gray) - 18 AWG, 1.8m (72 in.) long - Has 90 degree (F) receptacle (For 120V in the USA, Canada, Latin America, Korea, Taiwan, and Thailand)



LaserJet Electronics

Receptacle

- 146 RG5-5111-000CN AC power receptacle - Connector and housing assembly - 110VAC
- 147 RG5-5280-000CN AC power receptacle - Connector and housing assembly - 220VAC

Sensor

- 148 RG5-5275-000CN Registration and feed sensors assembly - Includes PS 102/103

Switch

- 149 WC4-5139-000CN Top cover interlock access switch

Transceiver

- 150 RG5-5276-000CN Toner cartridge memory transceiver assembly - Provides communication between memory controller board and toner cartridge memory

Logic/Control Electronics

Drive (Product)

- C2985A 2.1GB hard drive - LaserJet EIO font/print job storage
NO LONGER SUPPLIED
- C2985B *New Part for C2985A*

Memory (DIMM)

- C9168-67912 Firmware DIMM used on Formatter PC Board

PC Board

- 153 C7844-67901 Formatter assembly
- 154 C8049-69009 Engine controller board - Provides all power supply and motor control functions, including power switch - 110 volts - Does not include insulator sheet or bottom metal plate
- 155 C8049-69010 Engine controller board - Provides all power supply and motor control functions - 220 volt - Does not include insulator sheet or bottom metal plate
REQUIRES RETURN OF DEFECTIVE PART
RG5-5360-050CN New Part for C8049-69010
- 156 C8541-67901 Copier processor board (CPB) - With faceplate
- 157 RG1-4123-020CN Scanner controller PC board assembly
- 158 RG5-2673-000CN Feeder controller board - Paper Size detection
- RG5-5359-060CN Engine controller board - Provides all power supply and motor control functions, including power switch - 110 volts - Does not include insulator sheet or bottom metal plate
- 160 RG5-6996-000CN Cartridge memory controller board - Between ECU and the toner cartridge memory antenna
- 161 RH7-3075-000CN Scanner inverter control PC board

Other Accessories

Cartridge

- C8061-67901 Black toner (EP) cartridge - With 'Micro-Fine' toner - Has standard capacity toner - Prints approximately 6,000 pages
- C8061-67902 Black toner (EP) cartridge - With 'Micro-Fine' toner - Has maximum capacity toner - Prints approximately 10,000 pages

Cleaning Supplies

- 5090-3379 Toner cleaning cloth - Specially treated cloth for absorbing toner (1 per package) - Ideal for cleaning up toner spills

IR Assembly

- C4103-67901 FIR pod - Fast infrared receiver - With cable that plugs into formatter board port on back of printer

Manual

- 5851-1891 LaserJet quick reference service guide (monochrome) - Covers the LaserJet 1000, 1100, 1300, 2300, 3300mfp, 4100mfp, 4200, 4300, 5000, 5100, 8150 and 9000 series printers
- C8049-90925 LaserJet 4100 service manual (English)
- C9148-90909 LaserJet 4100 MFP service manual addendum - This manual covers the scanner portion of the 4100MFP only



Other Accessories

Tray

- C8056-69001 500-sheet tray/cassette - This is only the tray, does not include feeder or frame that tray goes into
REQUIRES RETURN OF DEFECTIVE PART
- C8056-67901 *New Part for C8056-69001*
- C8056A HP LaserJet 4000/4100 500 sheet tray/cassette - Tray only, does not include feeder or frame that tray goes into

Tray Assembly

- C8055-67901 500-sheet paper feeder and tray/cassette - This is the frame and tray that the printer sits on top of
- C8055A HP LaserJet 4100 500-sheet paper feeder and tray/cassette - This is the assembly frame and tray that the printer sits on top of

Paper Path Parts

ADF Assembly

- C9148-69004 ADF assembly - Does not include ADF input tray
- RG5-6549-090CN *New Part for C9148-69004*

Arm

- 174 C8049-67904 Left side output kicker
- 175 RG5-5093-000CN Delivery sensor arm assembly

Coupler

- 176 C4119-67902 Coupler kit - Contains pickup roller coupler, four paper tray load limit clips and installation instruction sheet

Feed Assembly

- 177 RG5-5086-000CN Paper feed assembly

Flag

- RB2-5034-000CN Paper sensor flag - Arm that triggers PS106

Guide

- 179 RB2-5043-000CN Lower transfer roller guide
- 180 RG5-5083-000CN Paper feed guide assembly

Kit

- C8058-67903 Maintenance kit (240V) - Includes fusing assembly three separation rollers, transfer roller, three paper feed rollers, pickup roller and instruction manual
- C8058-69003 Maintenance kit (240V) - Includes fusing assembly three separation rollers, transfer roller, three paper feed rollers, pickup roller and instruction manual
REQUIRES RETURN OF DEFECTIVE PART
- C8058-67903 *New Part for C8058-69003*

Paper Output Unit

- 183 RG5-5094-050CN Paper delivery assembly

Pickup Assembly

- 184 RG5-5277-000CN Tray 2 pickup assembly

Roller

- 185 RF5-3114-000CN Feed roller
- 186 RG5-5295-000CN Transfer roller assembly

Roller Assembly

- 187 RG5-5085-000CN Registration assembly

Shaft

- RB1-8867-000CN Pickup roller shaft - Shaft that the four pickup rollers mount to - Tray 2 pickup roller shaft

Spring

- RB2-5035-000CN Torsion spring - Provides tension for paper flag



Pickup Assembly

Arm

190 RB1-8879-000CN Paper tray sensing arm

Hook

191 RB1-2190-000CN Pick-up roller spring hook

Roller

192 RB1-8957-000CN Paper pick-up roller - 'D' roller (Sold individually)

Spring

193 RS5-2632-000CN Tension spring - Provides tension for pickup roller

Printer Accessories

Fax Module

Q1314-69001 Multi Functional Printer analog FAX accessory module
REQUIRES RETURN OF DEFECTIVE PART

Q1314-60107 *New Part for Q1314-69001*

Scanner Assembly Parts

ADF Assembly

RG5-6549-090CN ADF assembly - Does not include ADF input tray

ADF Tray

196 RG5-6579-000CN ADF paper input tray

Belt

197 RA2-2964-000CN Scanner timing belt - Drive belt for scanner optic unit

Cable

198 5969-8960 Copier connect cable - High speed cable between copier module and printer

199 C9148-60102 Scanner power cable - Power cable between scanner unit and printer

200 RH2-5476-000CN Scanner optical unit ribbon cable

201 RH2-5513-000CN Control panel cable

202 RH2-5515-000CN Inverter controller cable - From scanner inverter control PC Board

203 RH2-5516-000CN Optical drive motor power cable

Cover

RH2-5550-000CN Scanner power supply veristor cover

Cover Pad

205 RF5-3804-030CN Scanner white backboard cover sheet

Fan

206 RH7-1511-000CN Scanner assembly cooling fan

Filter

207 RA2-2955-000CN Cooling fan air fliter

Glass Assembly

208 RG1-4127-000CN Glass assembly

Guide

209 RA2-2940-000CN Scanner lamp cable guide

Holder

210 RA2-2948-000CN Optical unit locking lever holder

Lamp

211 RH7-3074-000CN Scanner lamp



Scanner Assembly Parts

Lever

212 RA2-2947-000CN Scanner optical unit locking lever

Motor/Gear

213 RG1-4122-000CN Scanner motor - Scanner unit motor assembly - Optic unit drive motor and gear

Mylar

214 RB2-8793-020CN Clear Mylar sheet

Optical Unit

215 RG1-4124-000CN Scanner optical unit - Includes scanner lamp

Plate

216 RA2-2943-000CN Lower guide plate

217 RA2-2949-000CN Upper guide plate

Power Supply

218 RG1-4175-000CN Power supply with veristor cover

Pulley

219 RG1-4131-000CN Carriage pulley assembly - Drive belt tension pulley assembly

Receptacle

220 RH2-5517-000CN A/C power input receptacle for scanner unit

Roller

221 RB2-8769-000CN ADF pickup roller

Sensor Mechanism

222 RG1-4120-020CN ADF door open sensor assembly

Spring

223 RS1-2417-000CN Scanner drive belt tensioner spring

Top Cover Assembly

ADF Assembly

C9148-69001 ADF assembly - Does not include ADF input tray

RG5-6549-090CN *New Part for C9148-69001*

Cable

225 RG5-6644-000CN Control panel cable

Control Panel

C9148-69006 Automatic document feeder control panel

227 RG5-5372-050CN Control panel - Does not include overlay

228 RG5-6563-030CN Automatic document feeder control panel

Cover

229 RB2-8748-000CN Upper cover - Includes printer output bin

230 RB2-8755-000CN Lower spring holder

231 RB2-8757-000CN Left side cover of automatic document feeder

232 RB2-8758-000CN Right side cover of automatic document feeder

233 RG5-2663-090CN Top cover assembly - Does not include control panel

234 RG5-5298-000CN Front cover of automatic document feeder

Handle

235 RB2-8751-000CN Face-up tray release handle

Top Cover Assembly

Holder

236 RB2-8754-000CN Upper spring holder

Latch

237 RB1-8846-000CN Rear output tray - Drop down release latch

PC Board

239 RG5-6534-000CN Connector PC board assembly

Panel

238 RB1-8841-000CN Toner cartridge access panel

Rod

240 RB2-8749-000CN Scanner control panel rod

Spring

241 RB1-8847-000CN Rear tray latch release spring

242 RB2-8764-000CN Tension spring - Under right front corner of upper top cover frame

Tray 1 Pickup Assembly

Arm

243 RB1-8787-000CN Tray 1 paper sensor actuator arm
NO LONGER SUPPLIED

RF5-3116-000CN New Part for RB1-8787-000CN

244 RB2-2387-000CN Tray 1 retaining arm

Cover

245 RB2-5019-000CN Gear cover on right side of tray 1 pickup assembly

246 RB2-5037-000CN Envelope feeder cover

Pad

247 RF5-3086-000CN Separation pad for tray 1 pickup assembly

Roller

248 RG5-3718-000CN Tray 1 pickup roller assembly

Sensor

249 WG8-5362-000CN Optical sensor

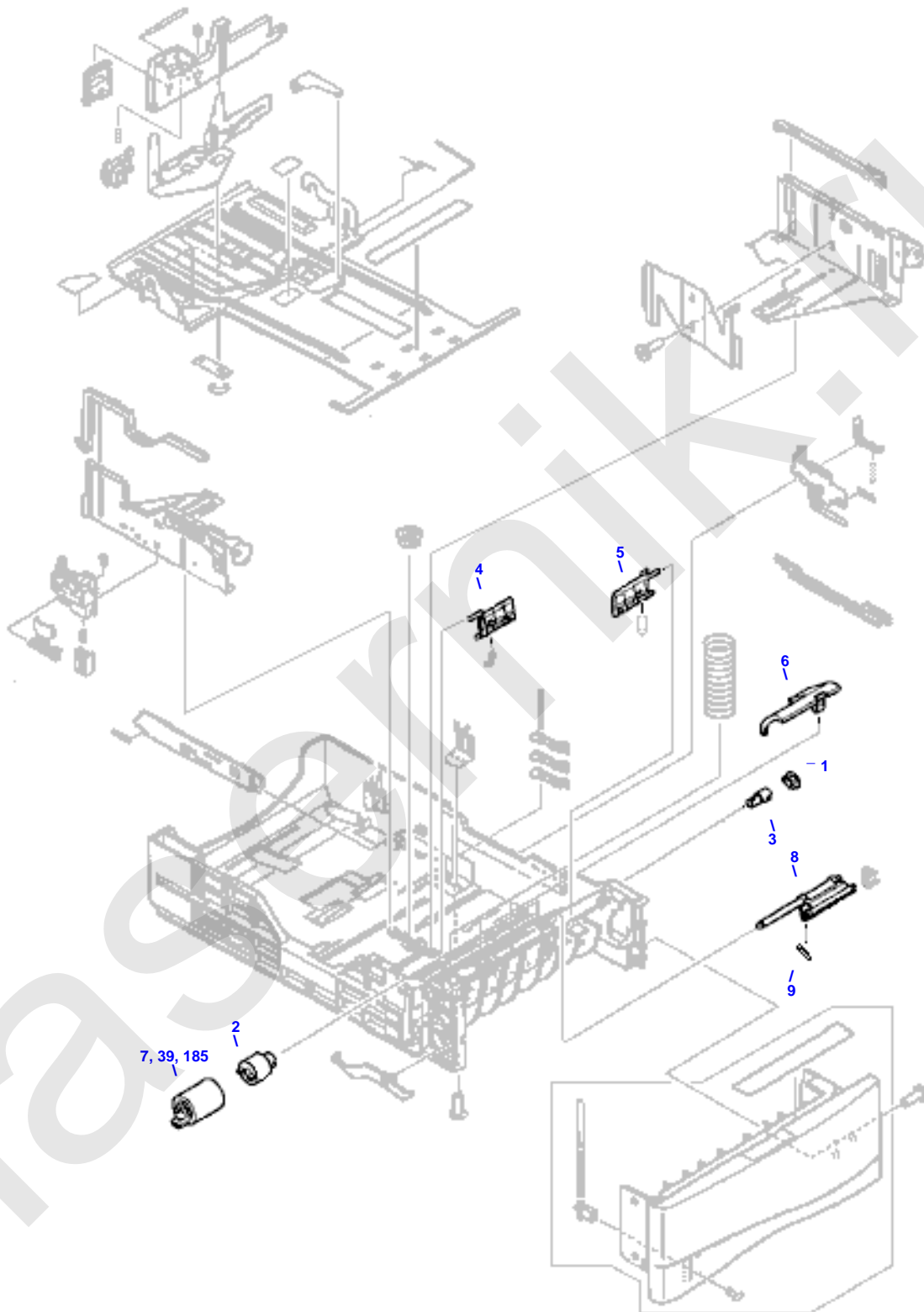
Sensor Mechanism

RF5-3116-000CN Tray 1 paper sensor actuator arm and cover assembly

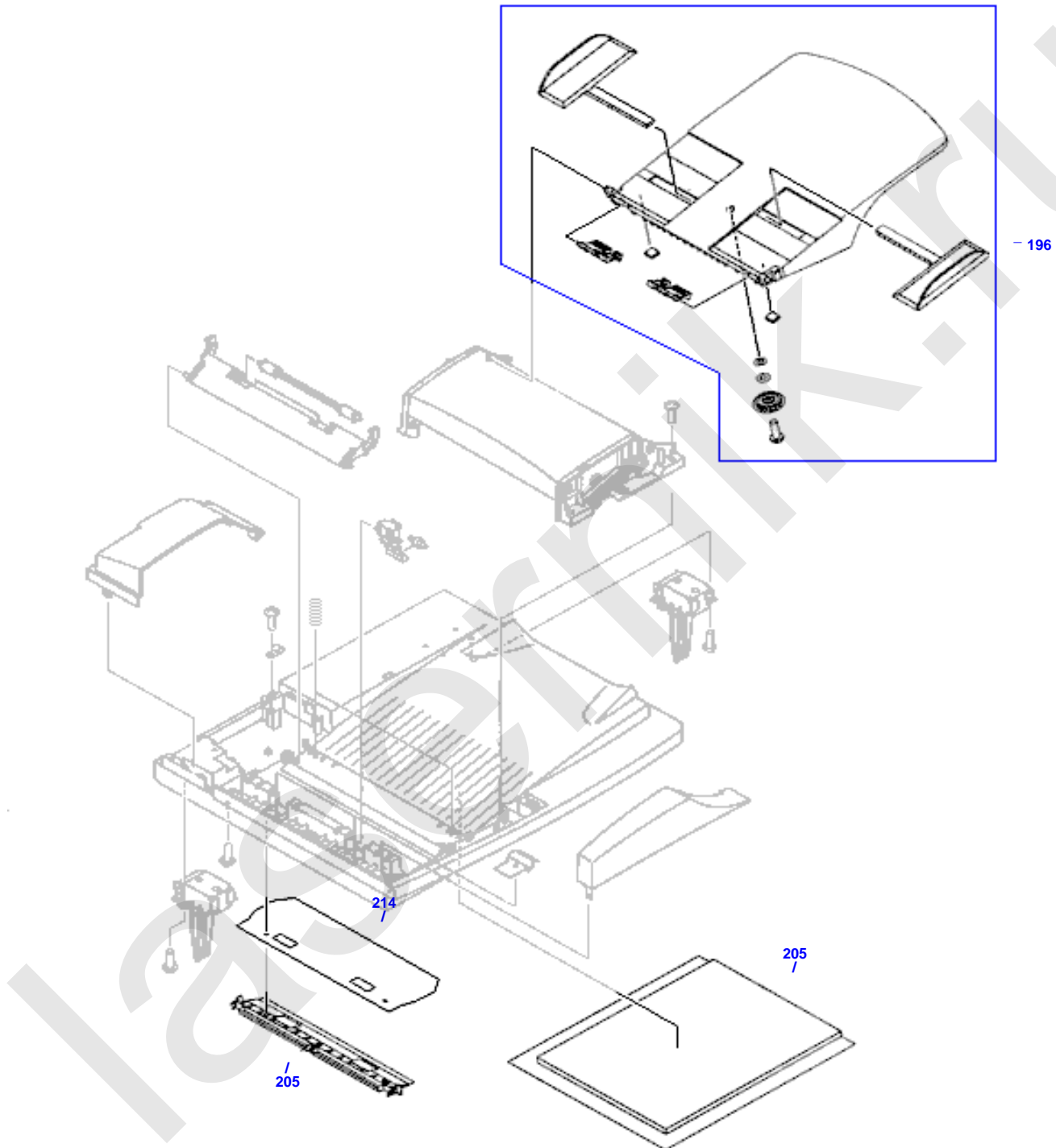
Solenoid

251 RH7-5172-000CN Tray 1 paper pickup drive solenoid

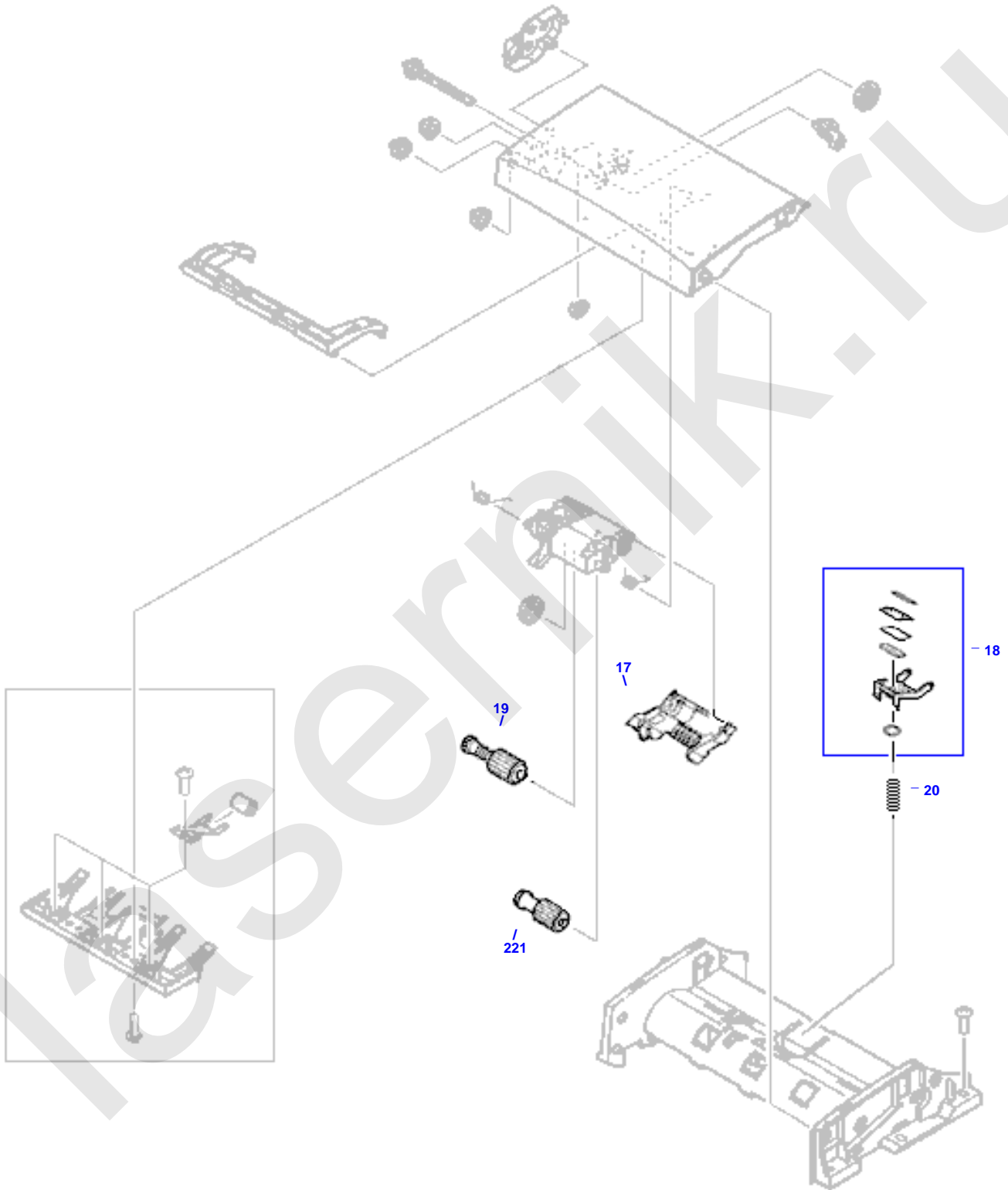
500 Sheet Tray



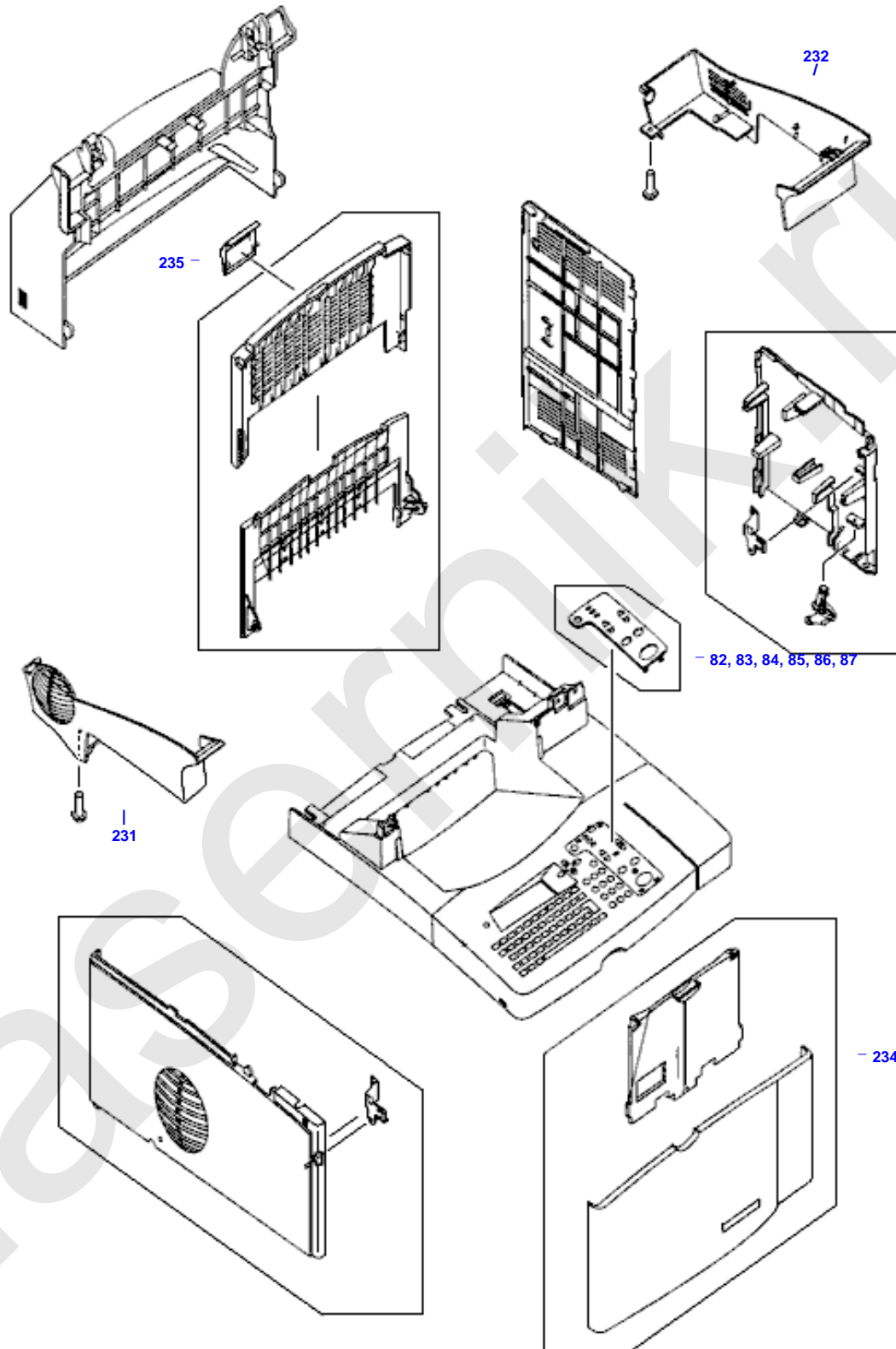
ADF unit (1 of 2)



ADF unit (2 of 2)

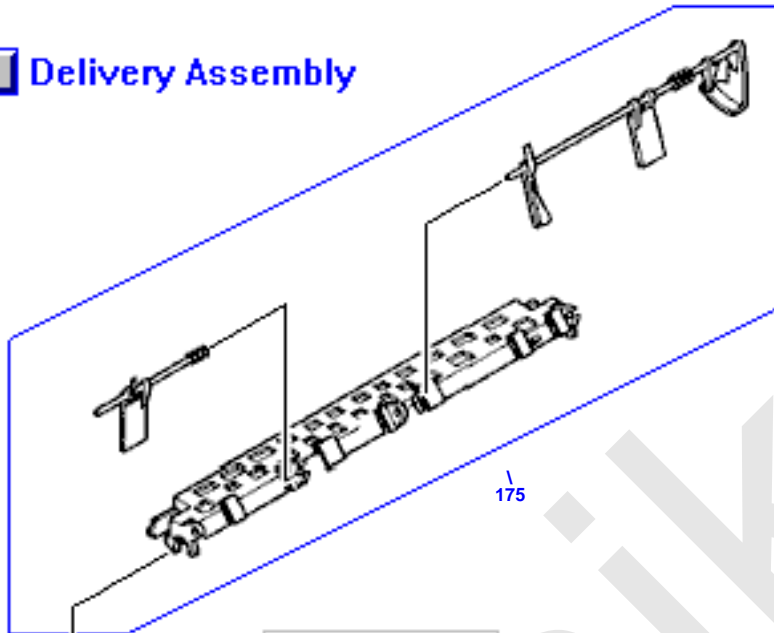


Covers

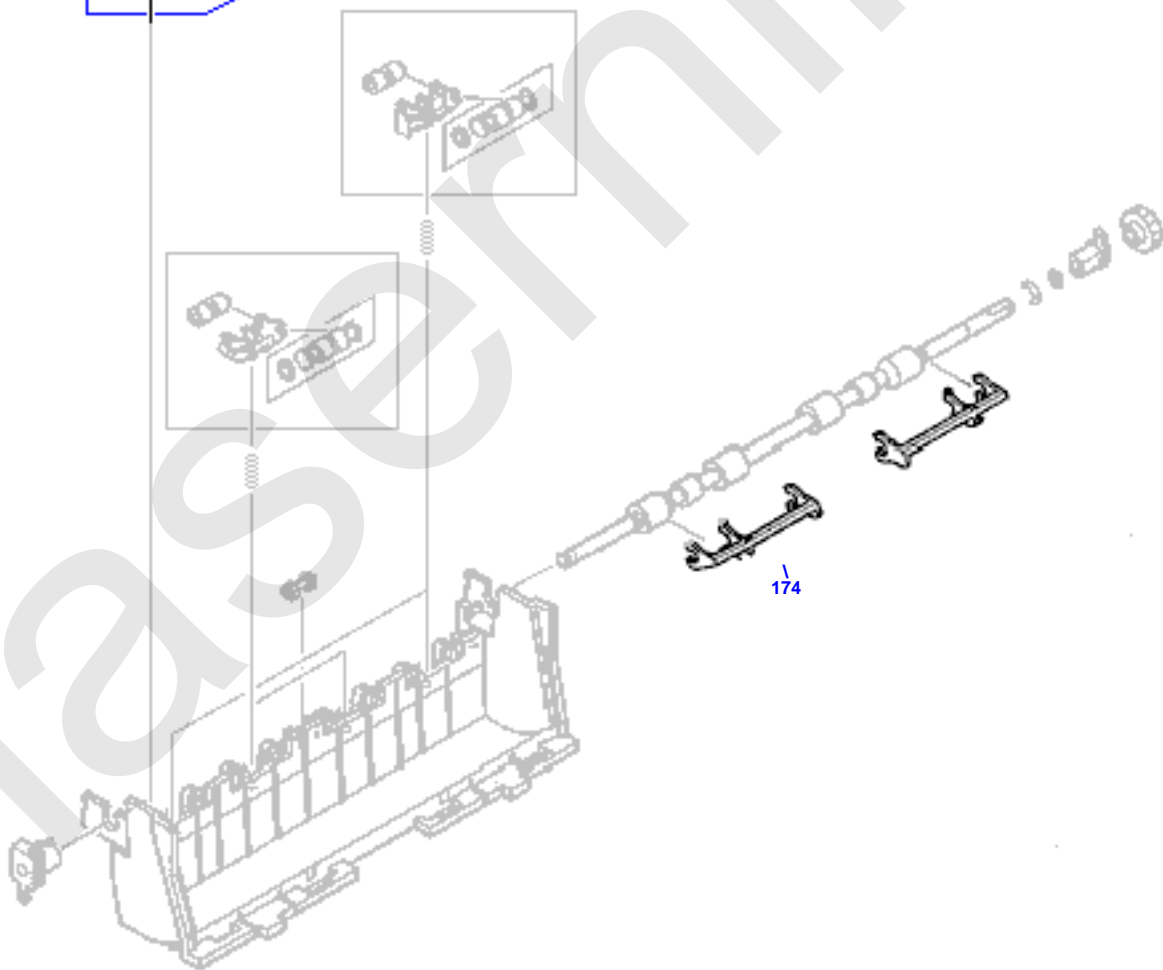


Delivery Assembly

183 -  Delivery Assembly



175

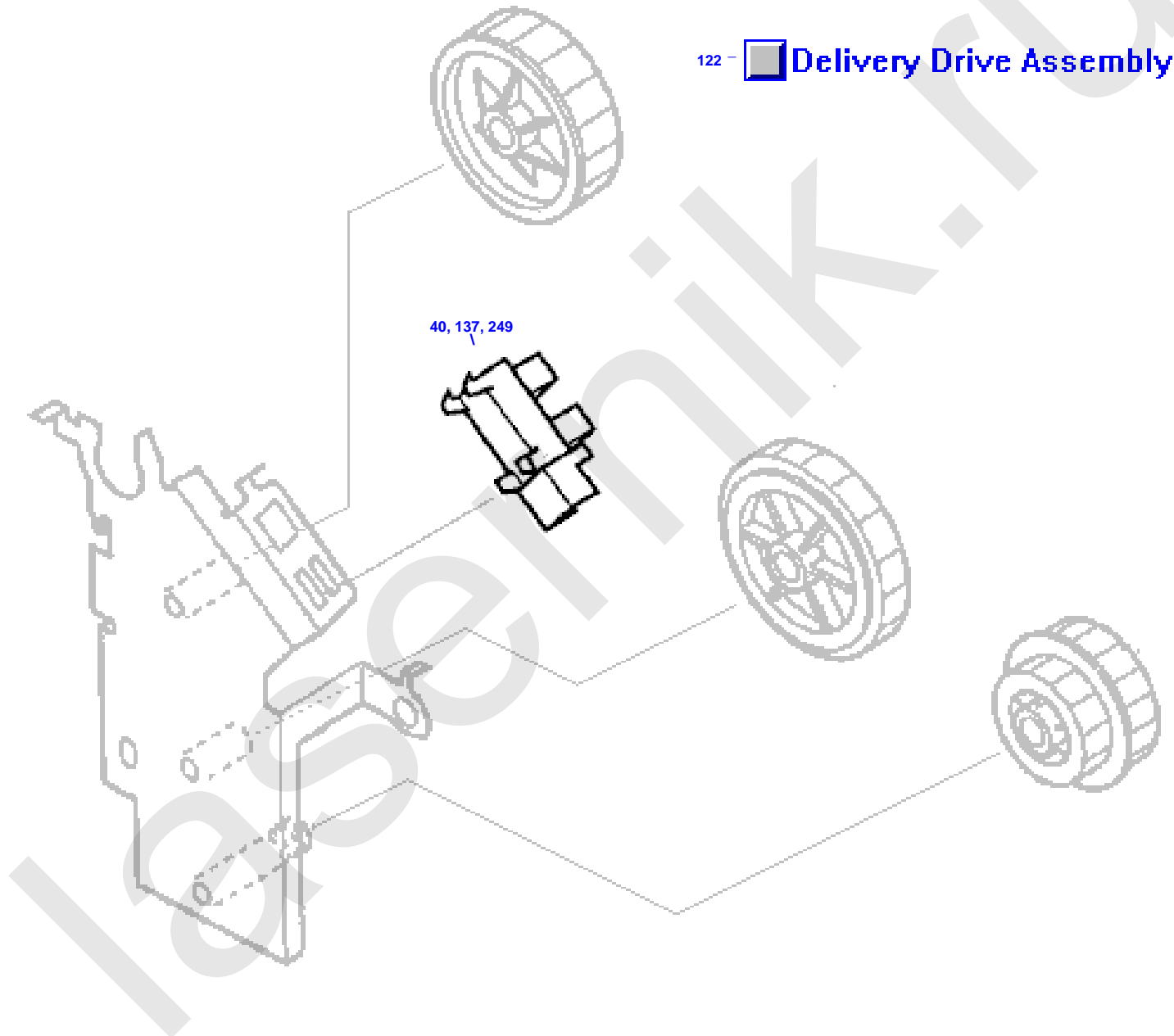


174

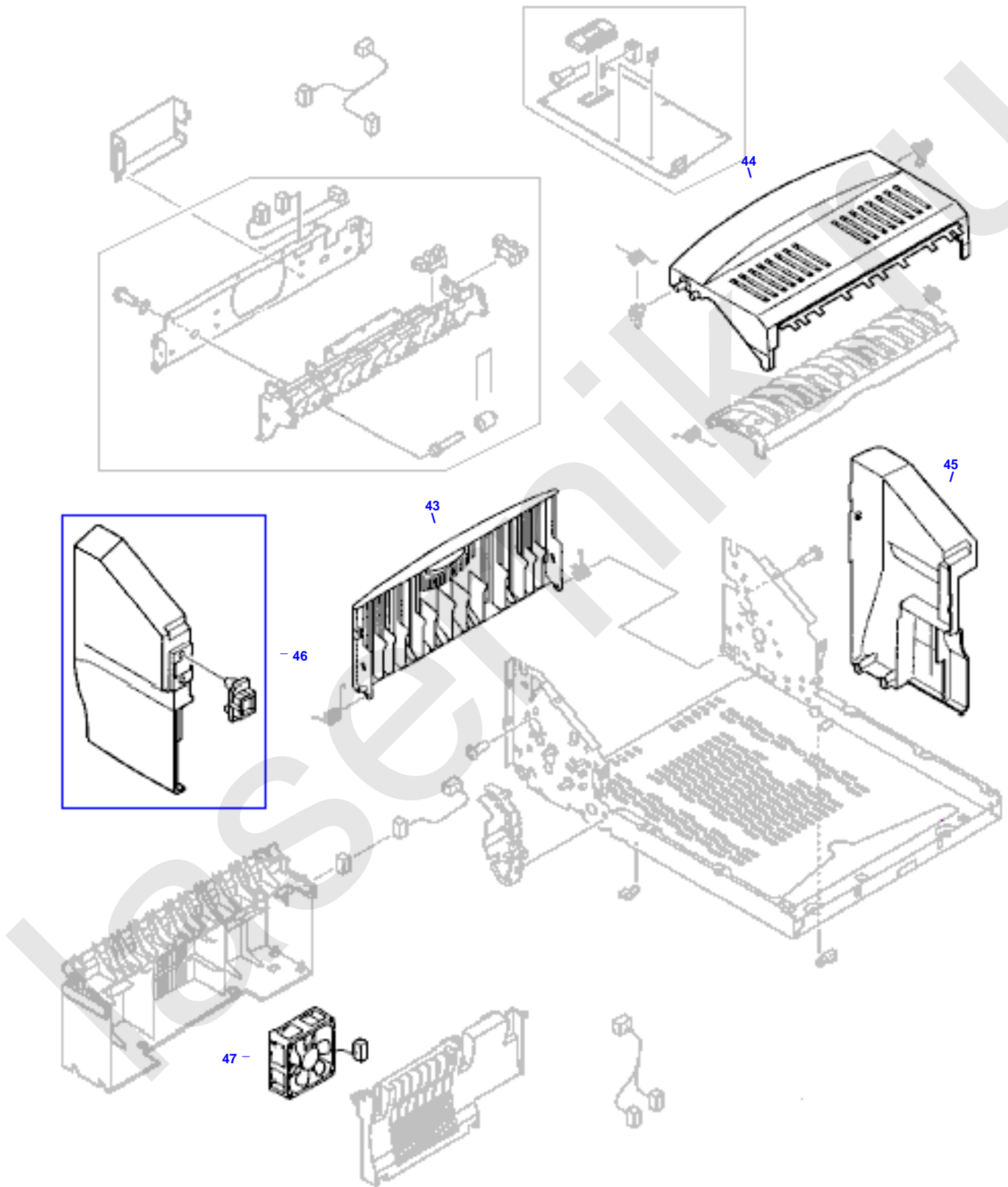
Delivery Drive Assembly

122  Delivery Drive Assembly

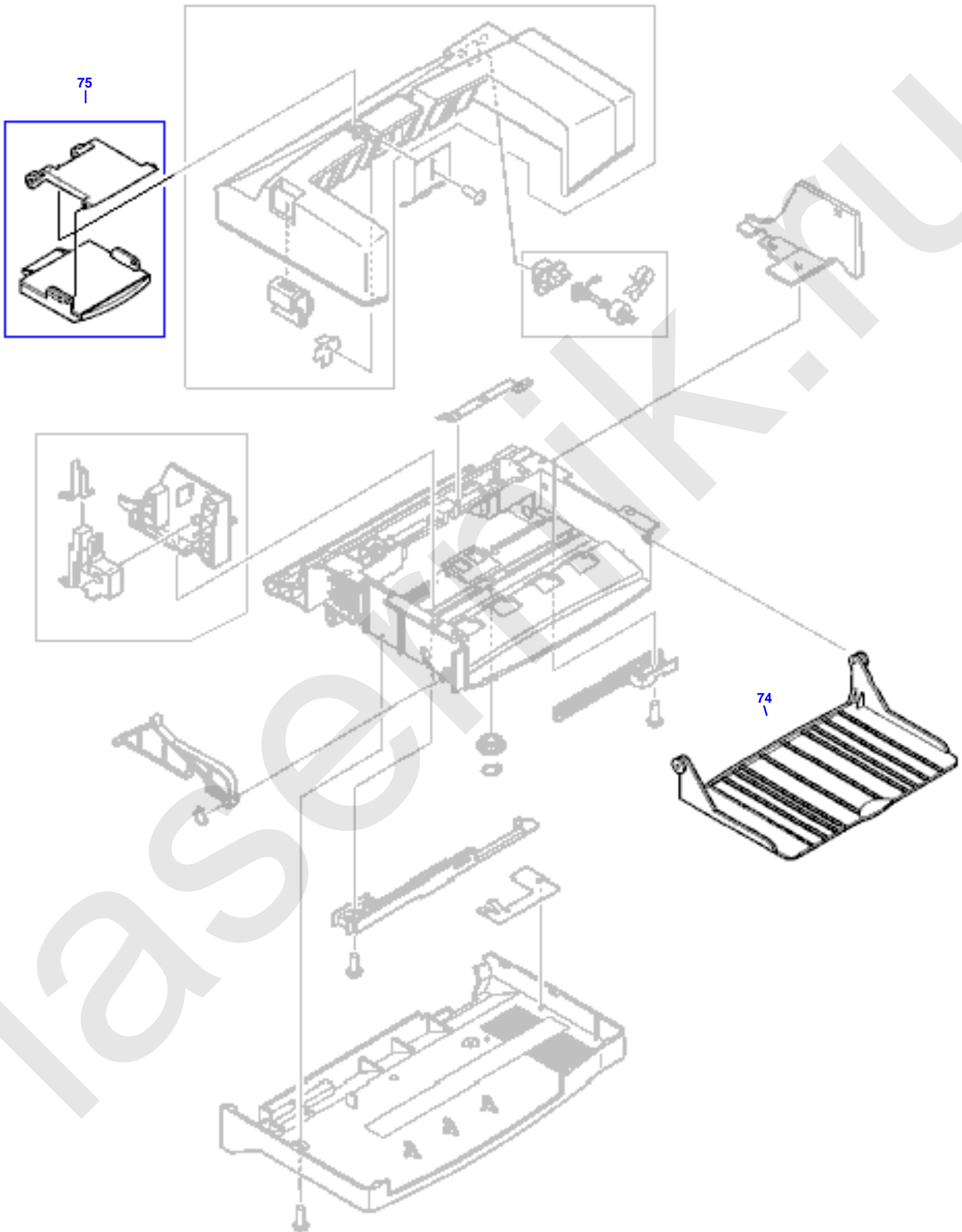
40, 137, 249



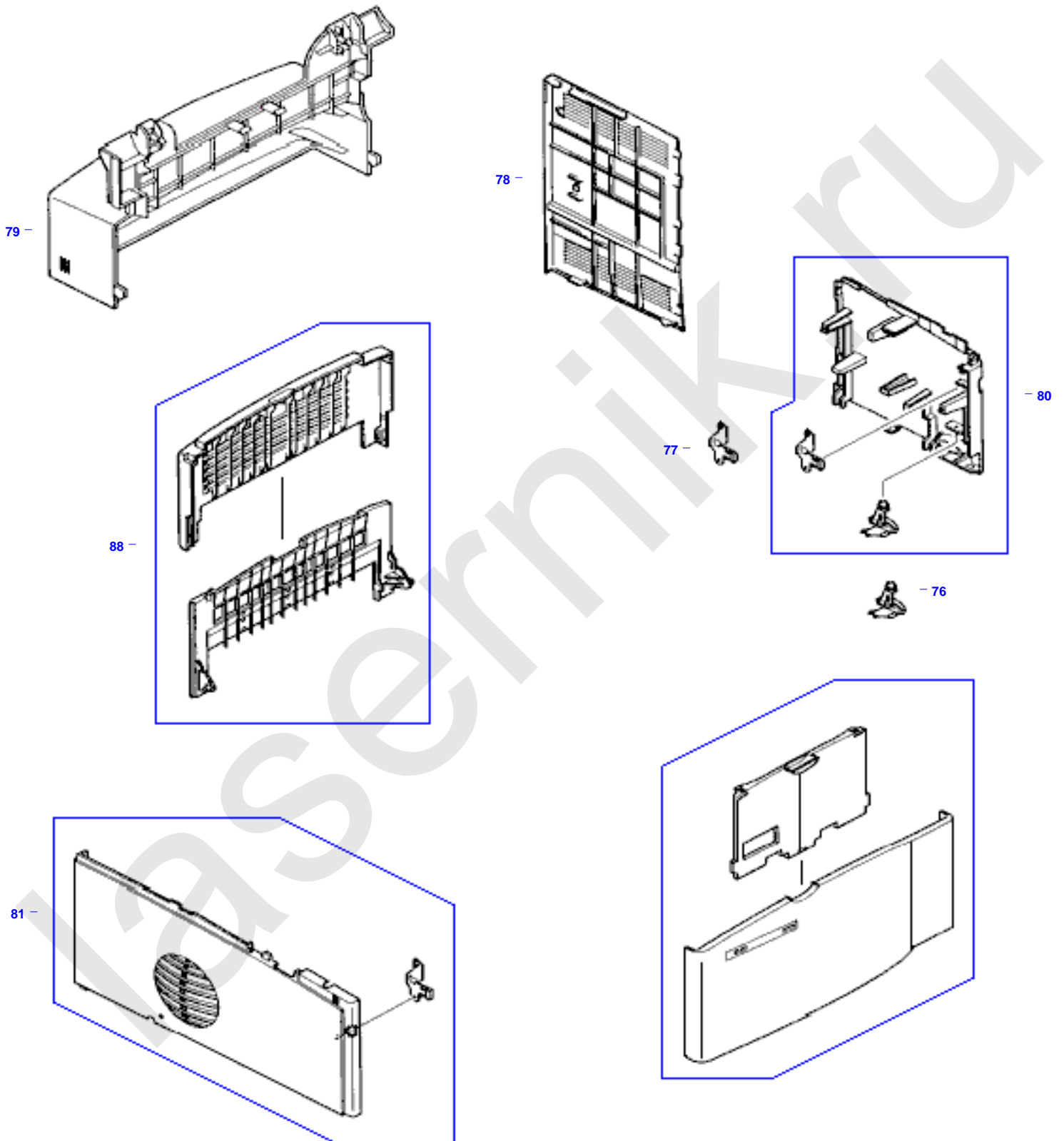
Duplexer



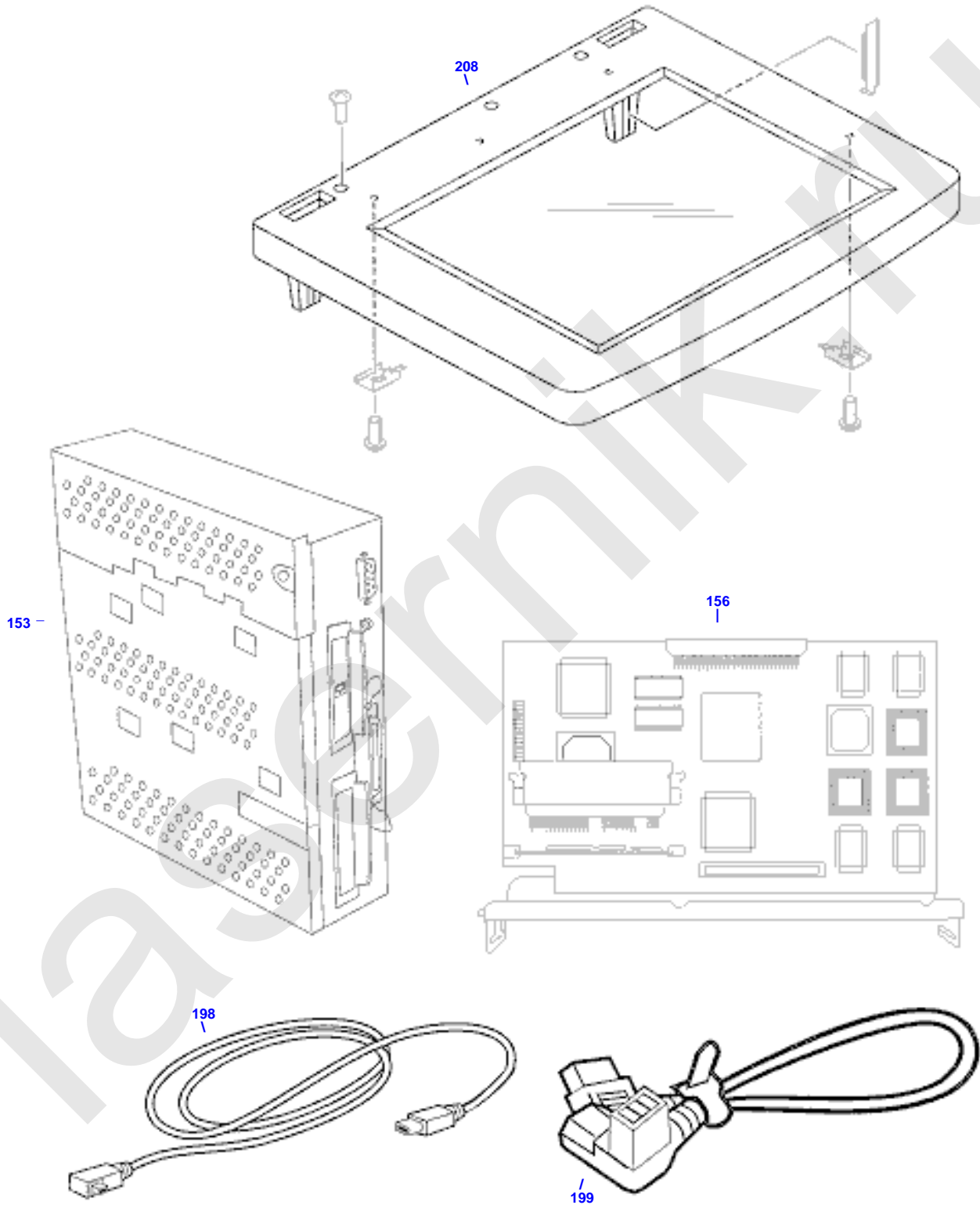
Envelope Feeder



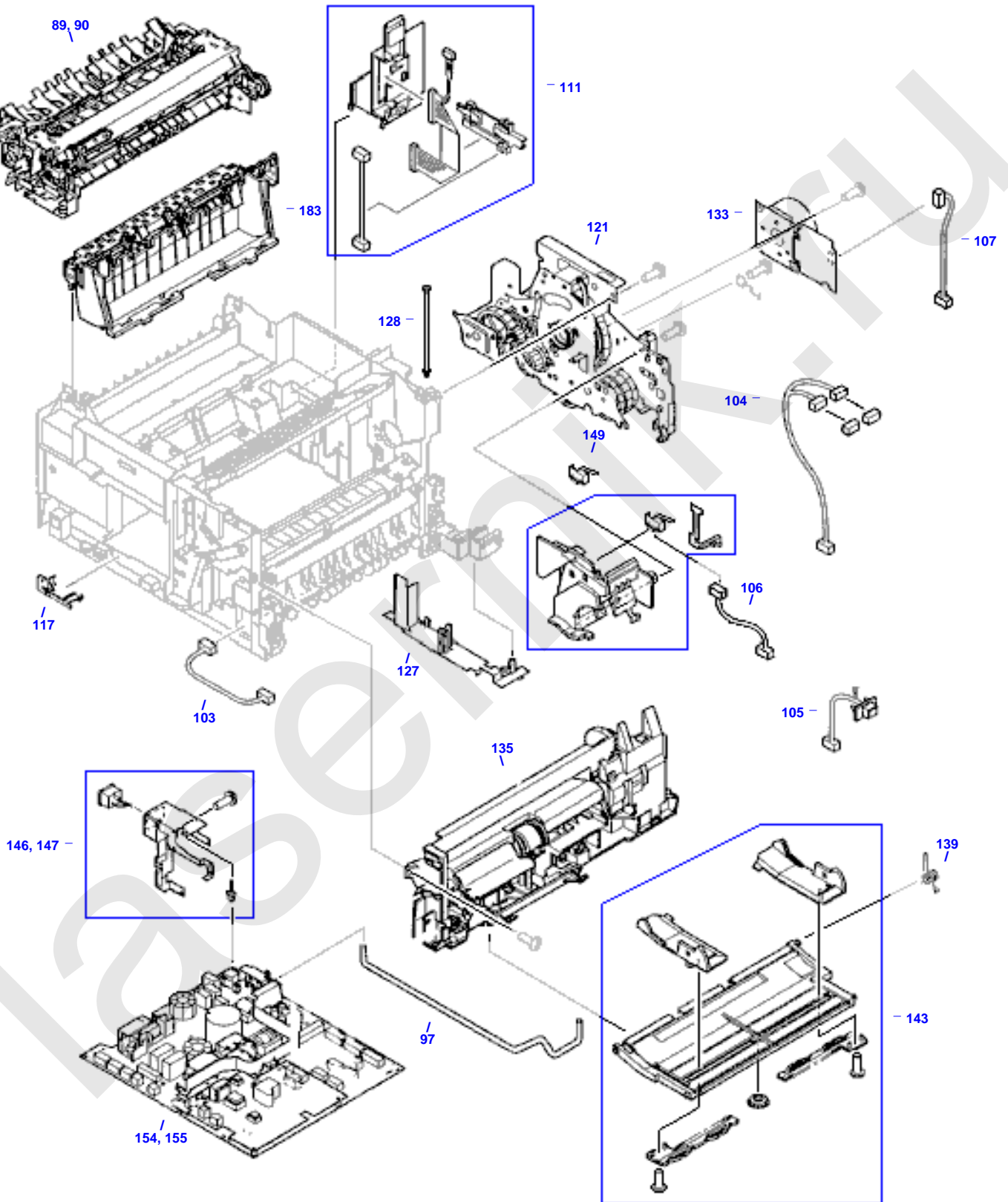
External Covers and Panels



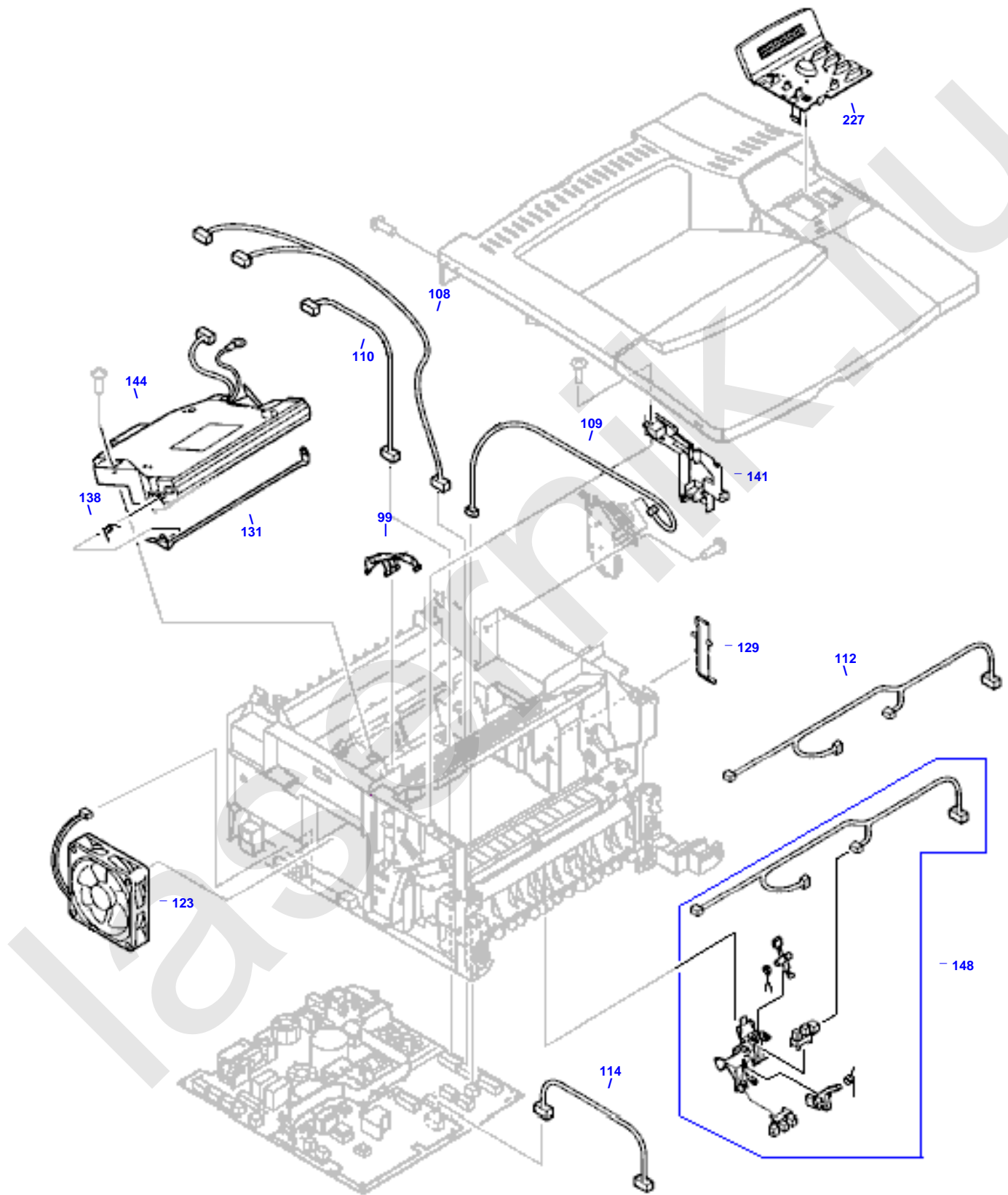
Glass and formatter



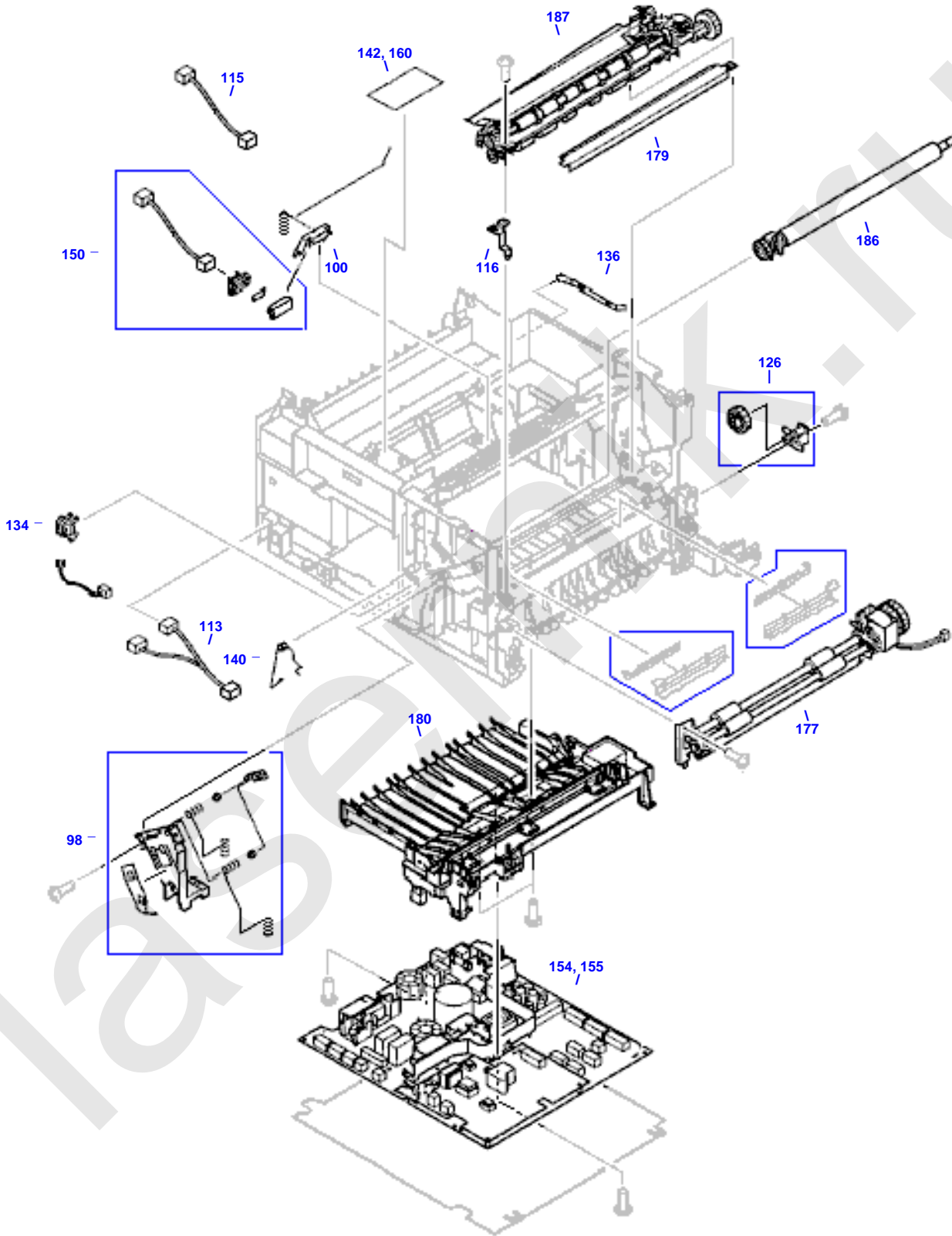
Internal Components (1 of 4)



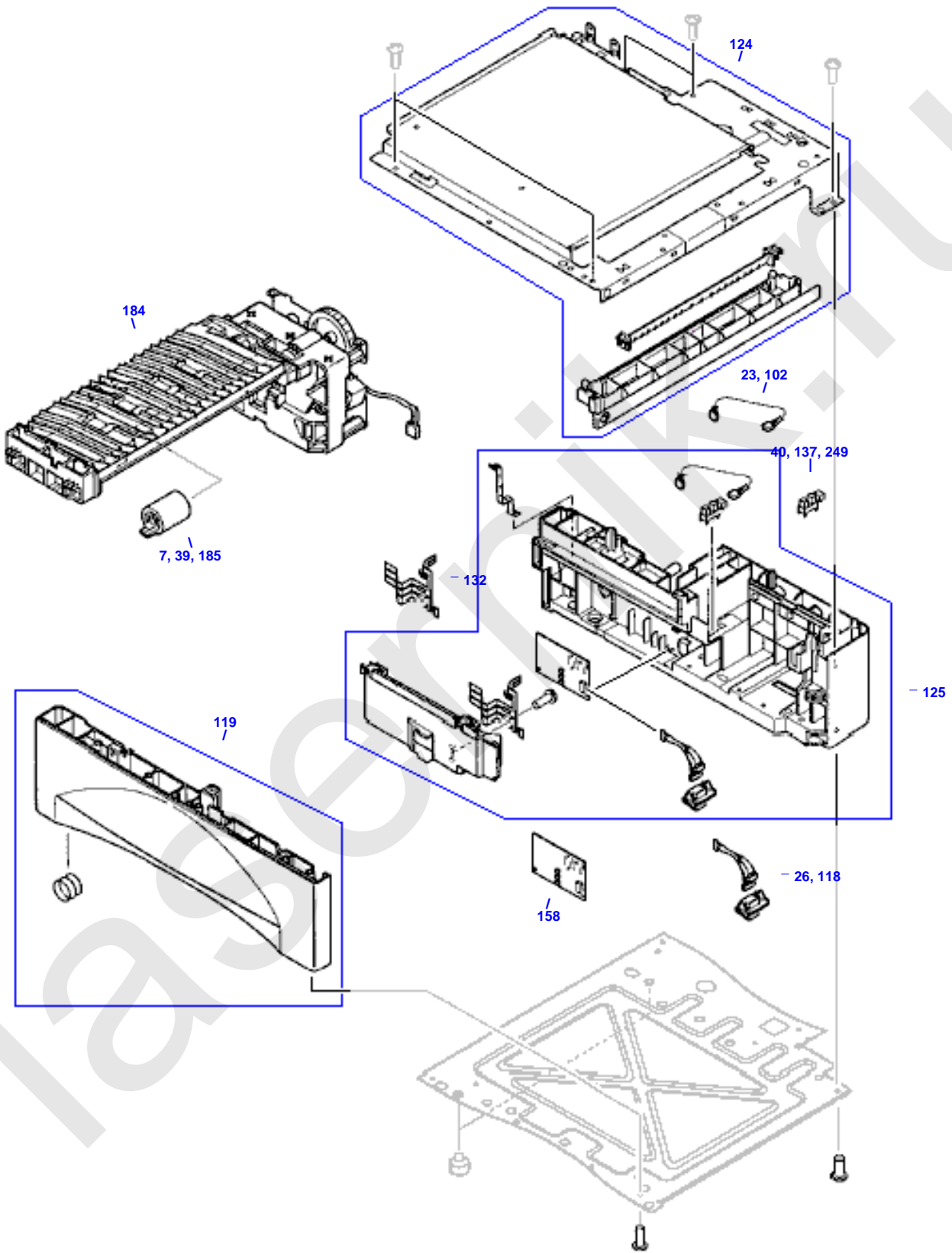
Internal Components (2 of 4)



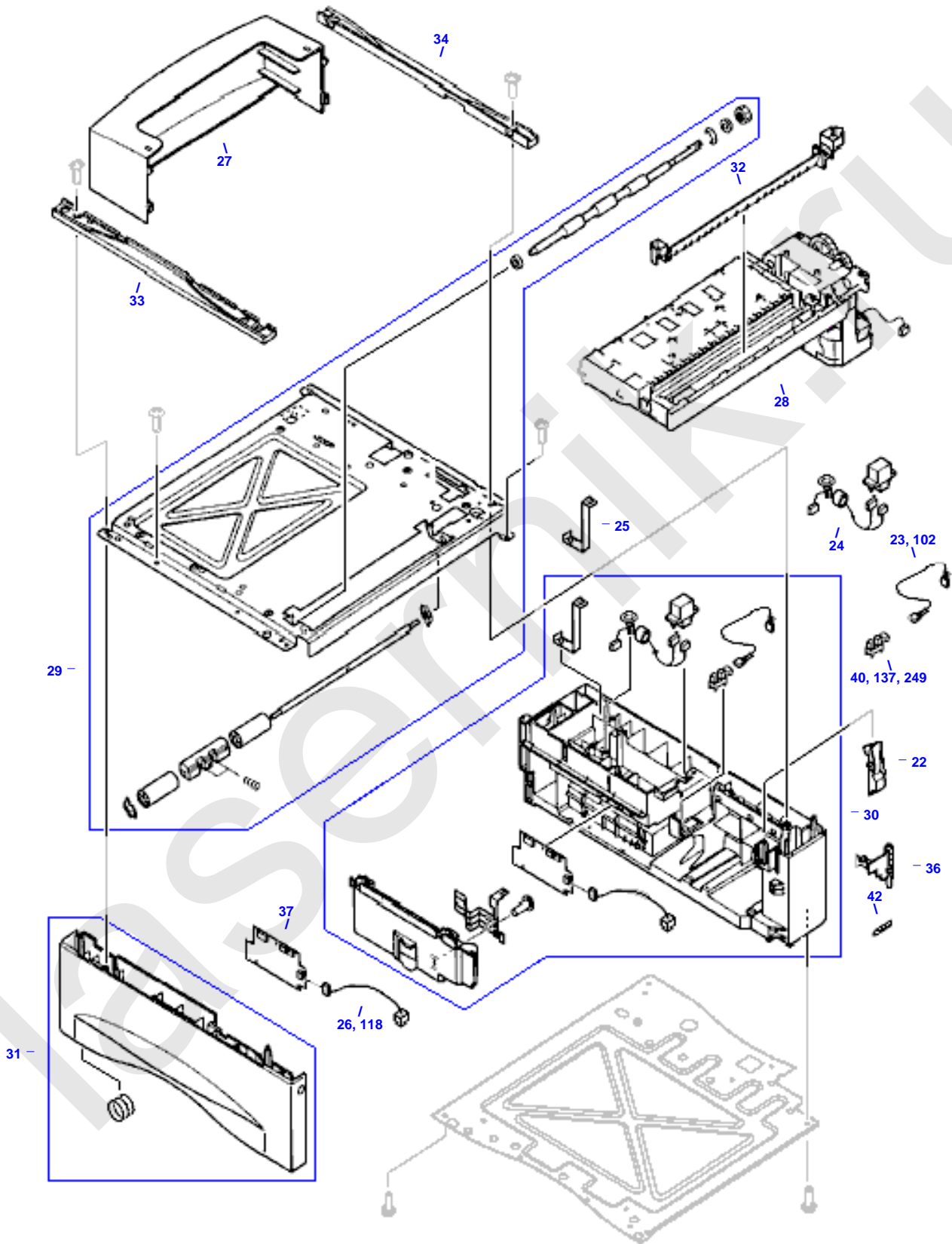
Internal Components (3 of 4)



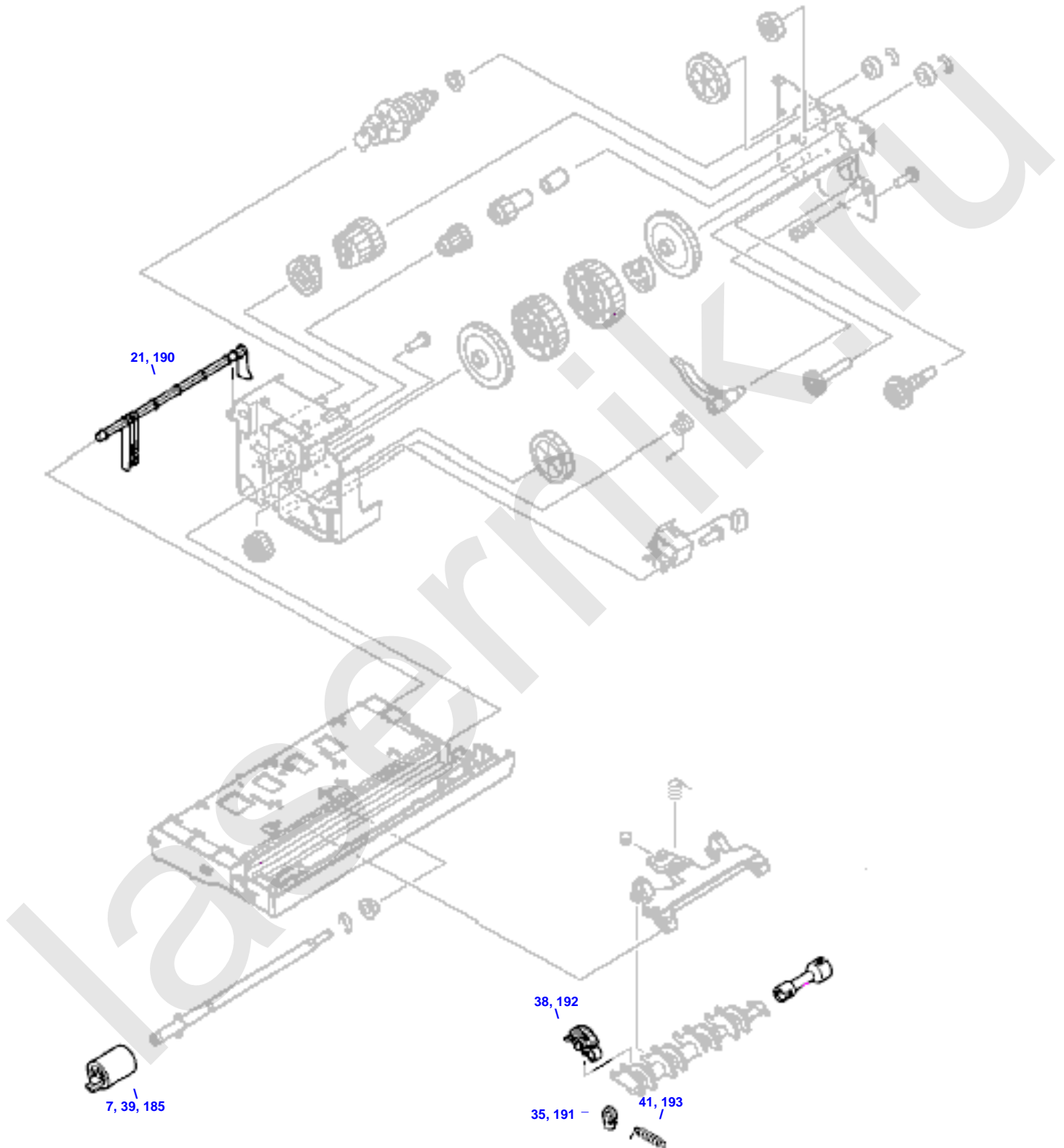
Internal Components (4 of 4)



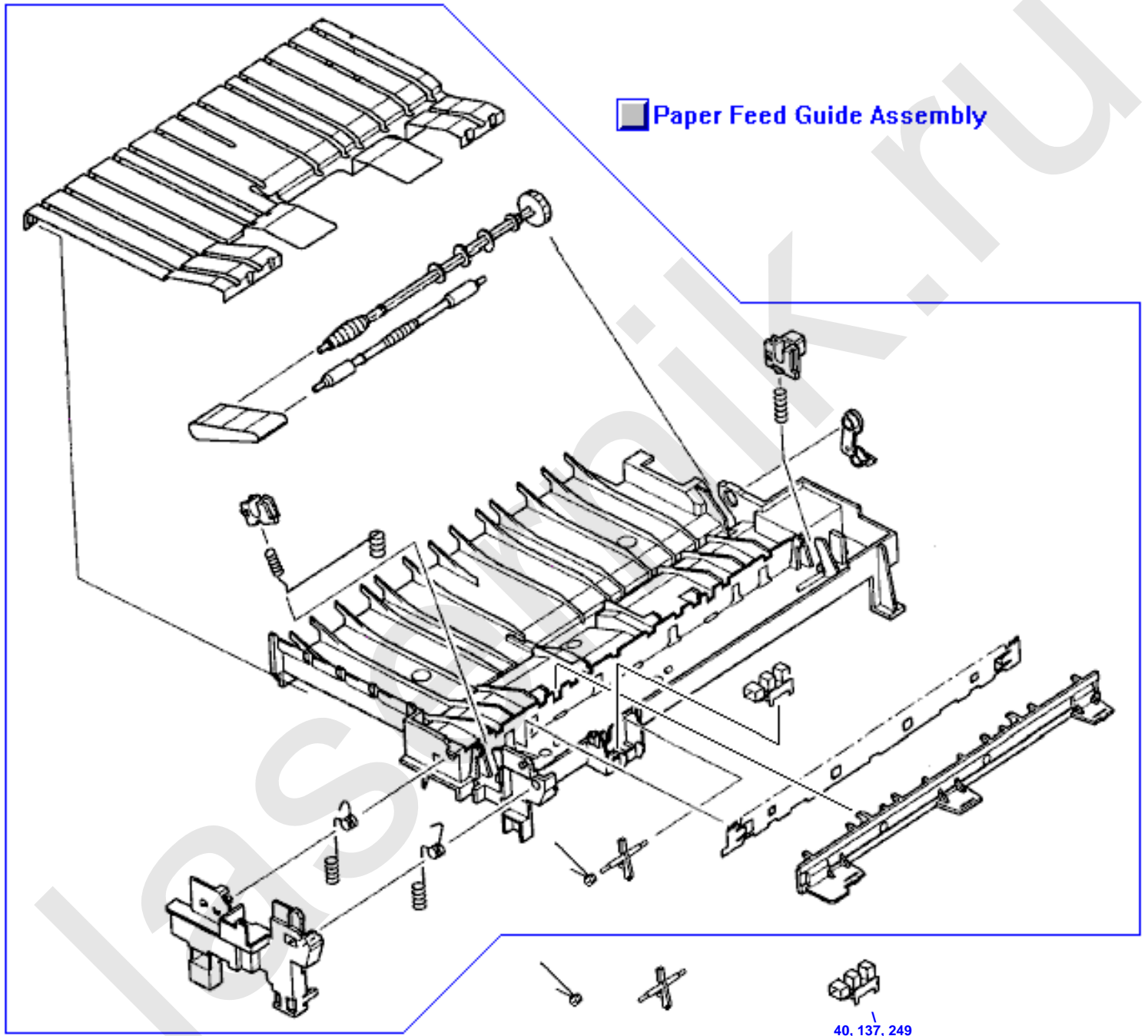
Optional 500 Sheet Feeder



Optional 500 Sheet Pickup Assembly

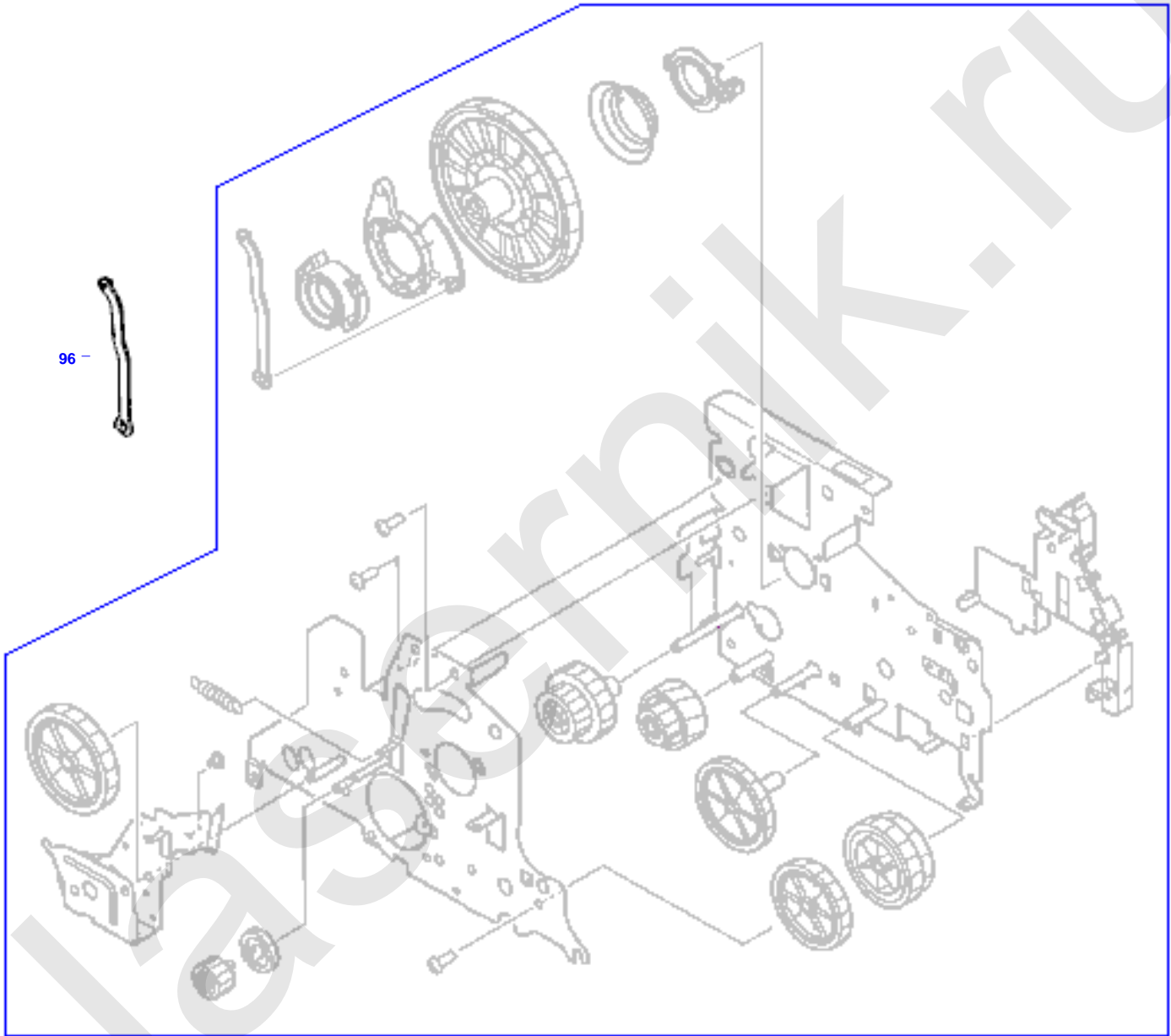


Paper Feed Guide Assembly

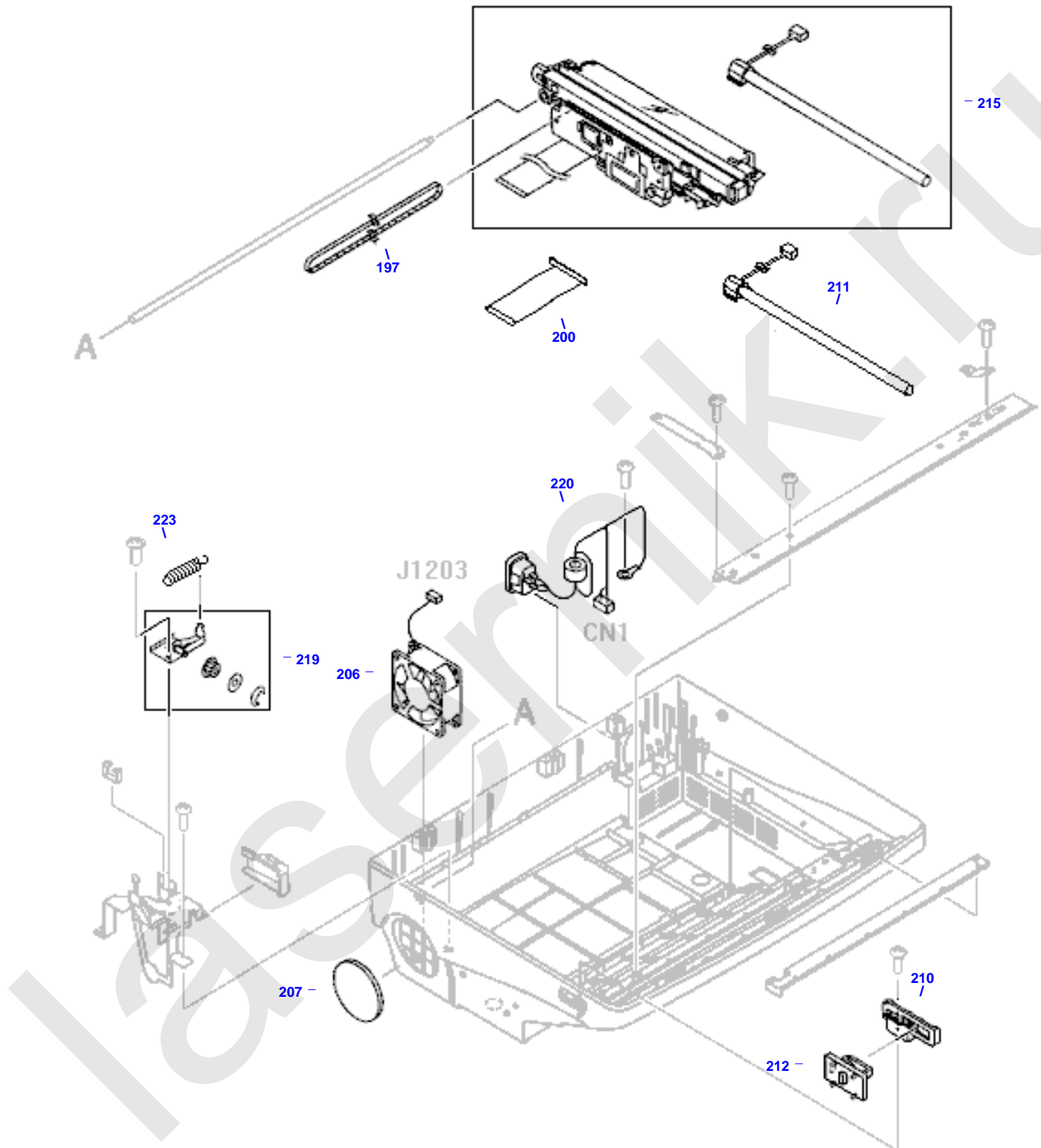


Printer Drive Assembly

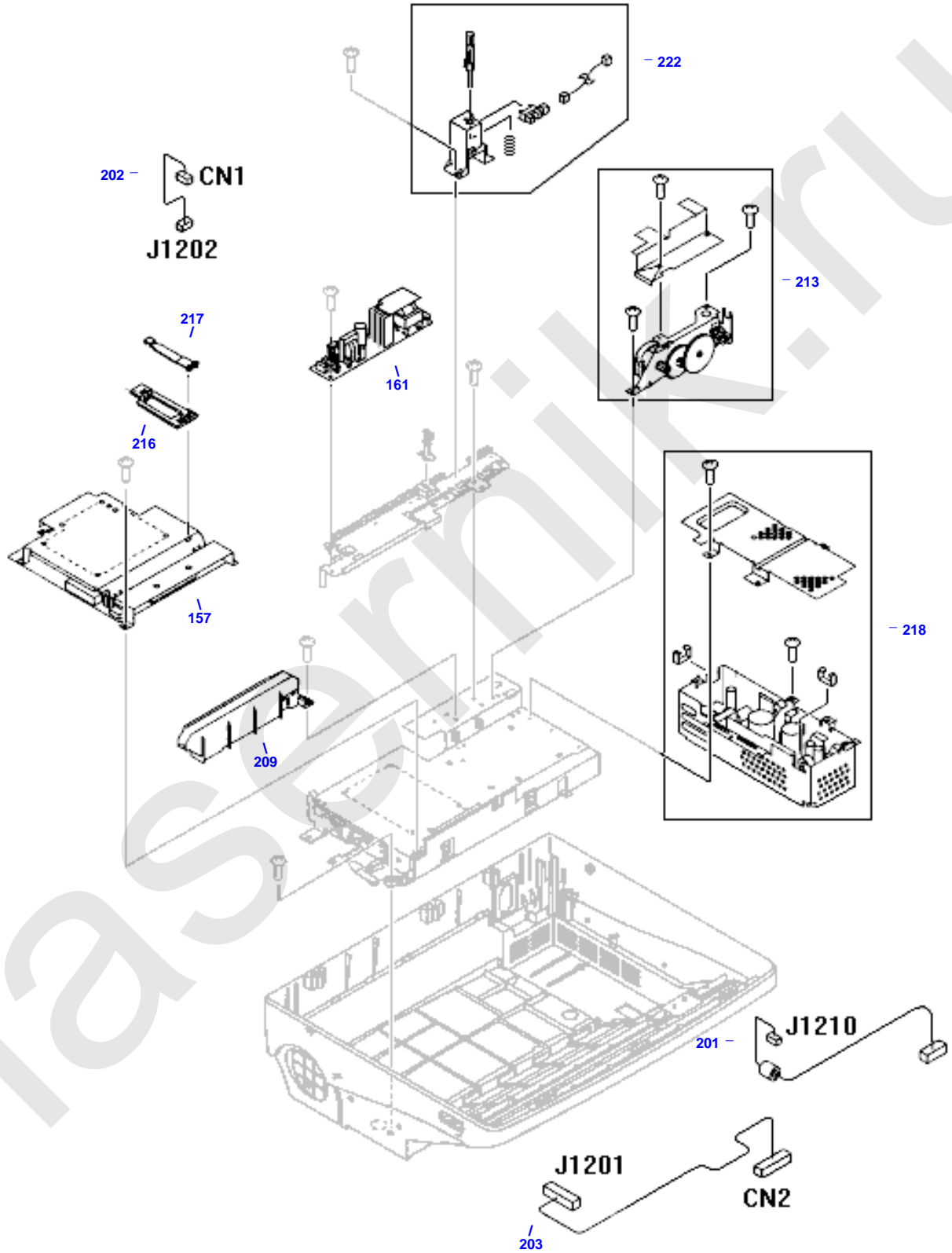
121 -  Printer Drive Assembly



Scanner unit (1 of 2)

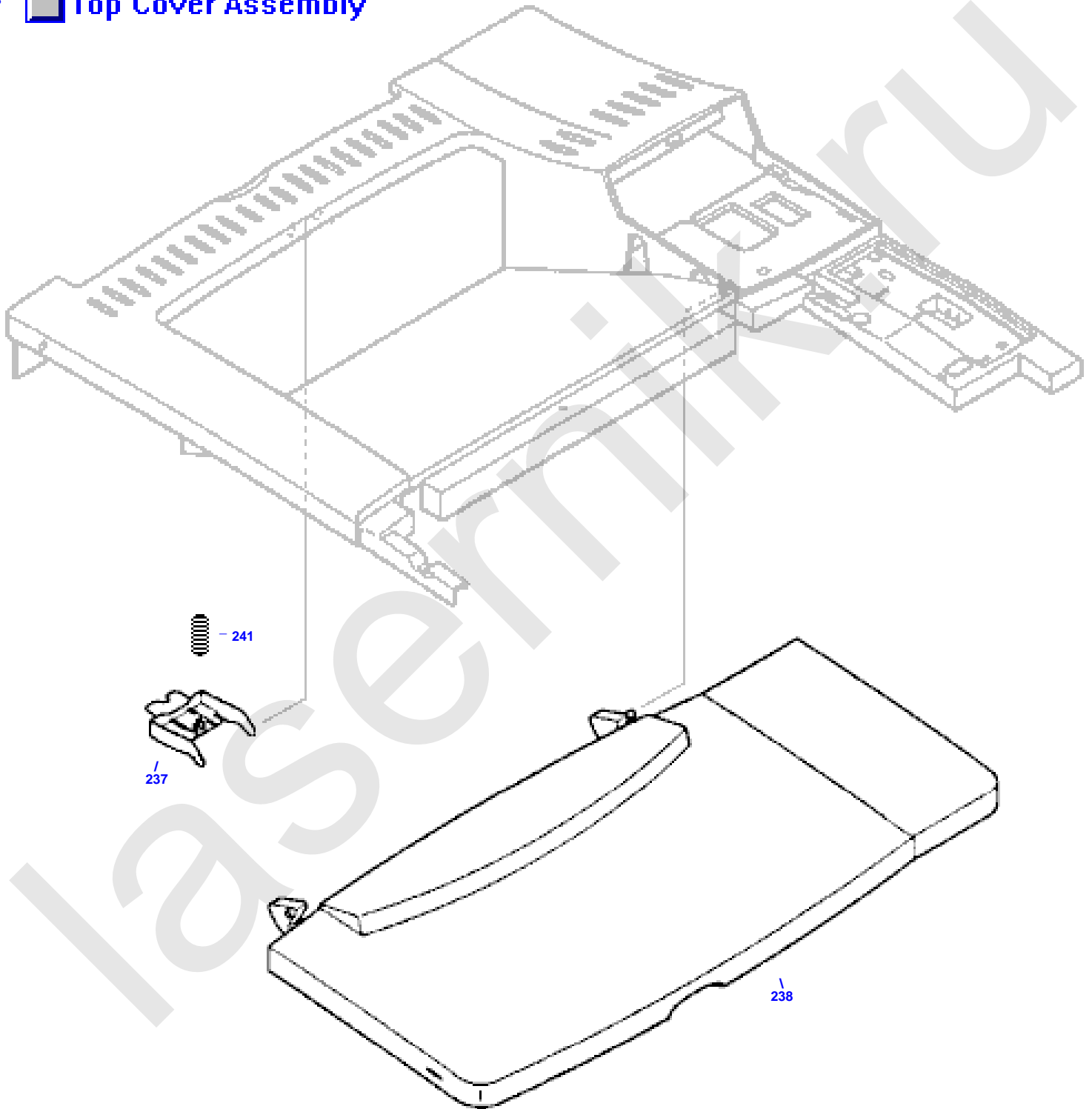


Scanner unit (2 of 2)

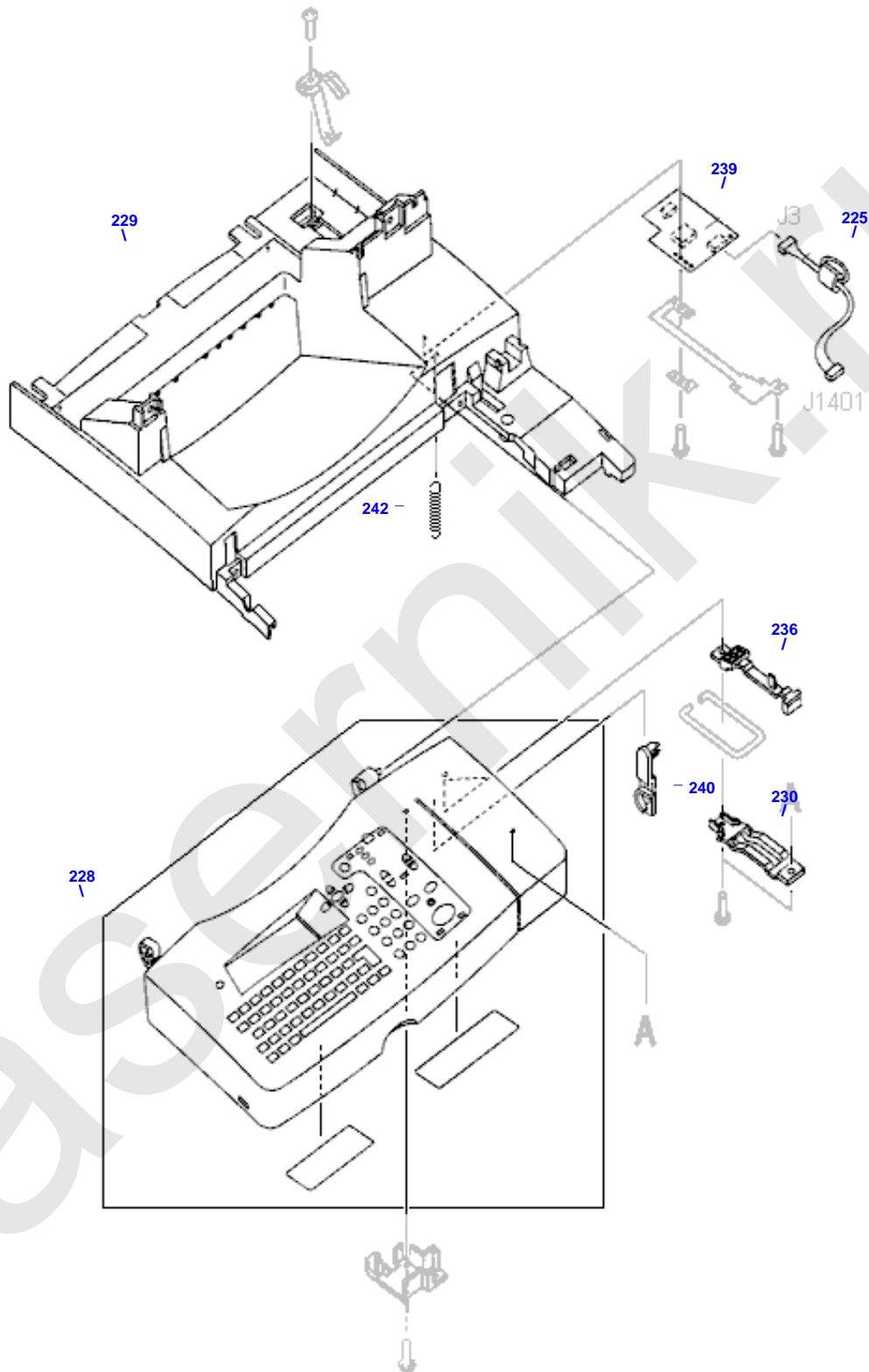


Top Cover Assembly

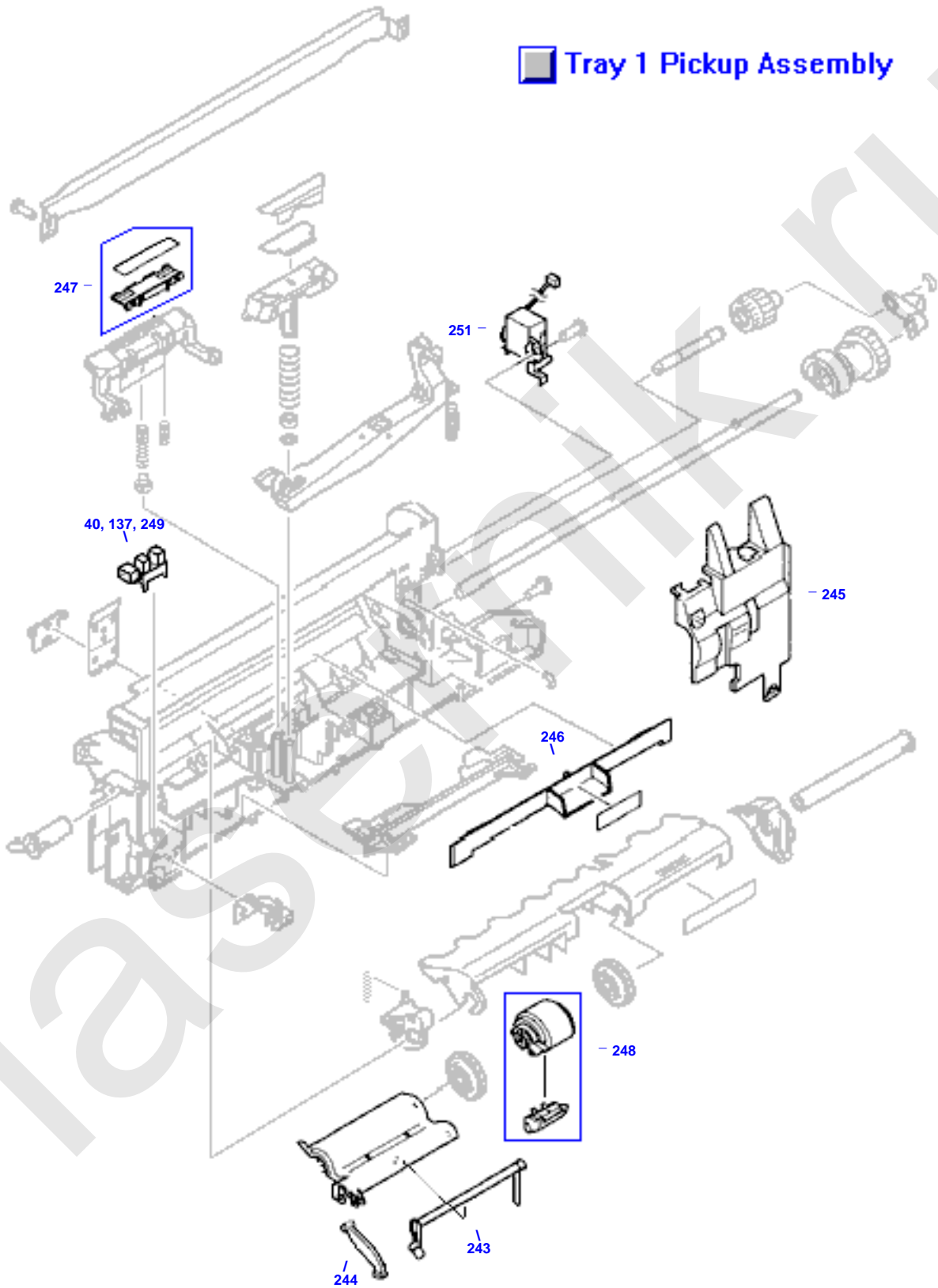
233 -  Top Cover Assembly



Top cover assembly

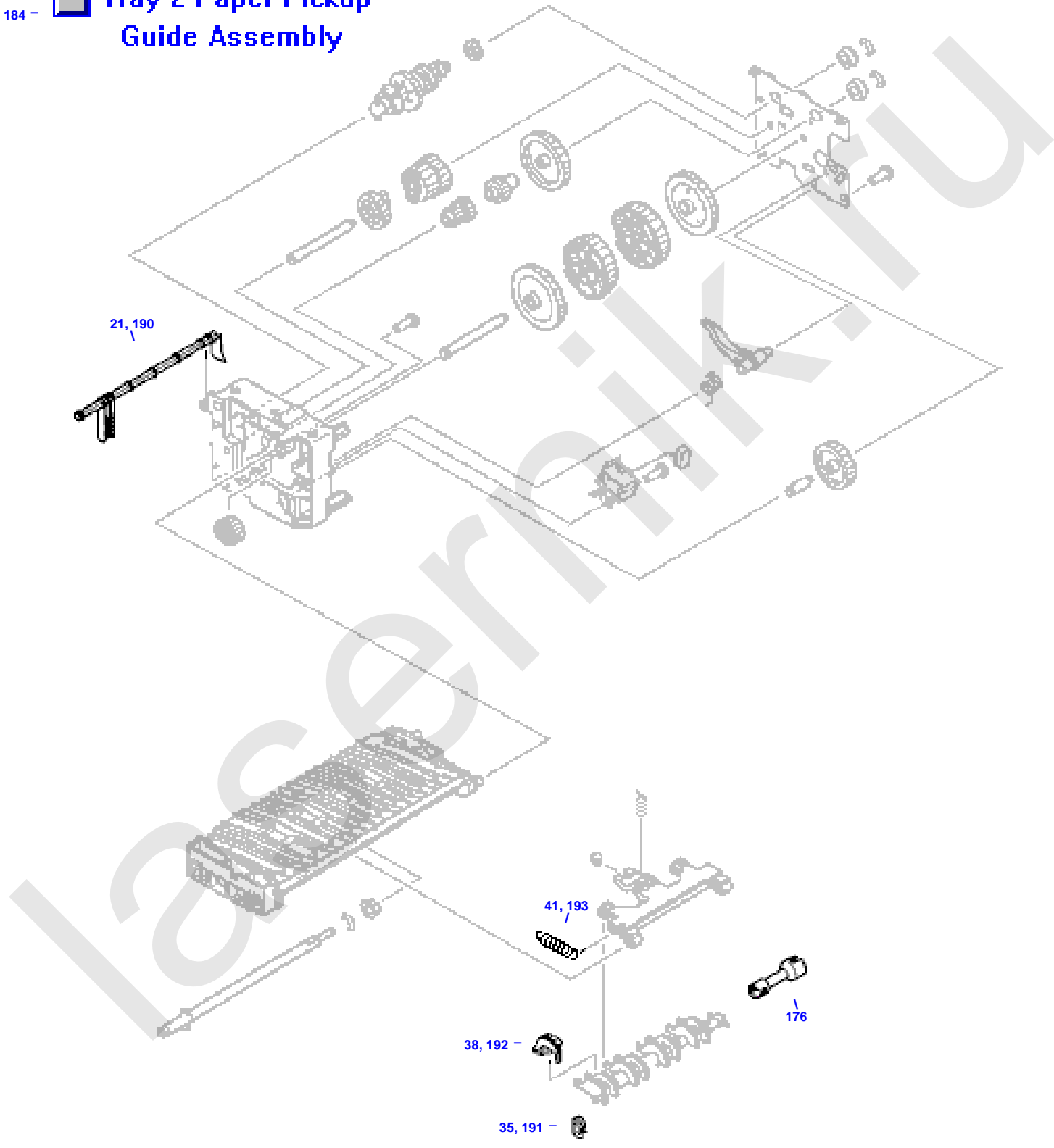


Tray 1 Pickup Assembly



Tray 2 Pickup Assembly

184 -  Tray 2 Paper Pickup Guide Assembly





HP Parts Reference Guide

<http://www.hp.com/go/parts>

HP PartSurfer

<http://partsurfer.hp.com>

HP Parts Ordering Information

<http://www.hp.com/go/hpparts>

HP Parts Questions/Comments

<http://partsurfer.hp.com/contactus.htm>

laser.nik.ru