

# 8

## Parts and diagrams

Ordering parts, supplies and getting support . . . . .	144
Accessories . . . . .	145
Consumables . . . . .	145
Common hardware . . . . .	146
HP Laserjet 4100 differences . . . . .	146
How to use the parts lists and diagrams . . . . .	147
Parts lists and diagrams . . . . .	148
Covers . . . . .	148
Top-cover assembly . . . . .	150
Scan unit (1 of 2) . . . . .	152
Scan unit (2 of 2) . . . . .	154
Glass, formatter, CPB, and cables . . . . .	156
ADF unit (1 of 2) . . . . .	158
ADF unit (2 of 2) . . . . .	160
Alphabetical parts list . . . . .	162
Numerical parts list . . . . .	164

## Accessories

The following items are available through your local authorized HP dealer. To find a dealer near you, call the HP Customer Information Center at (1)(800) 752-0900.

### Hint

Optional 2-MB and 4-MB Flash DIMMs are available for the HP 4100 LaserJet series printer. Do not install these DIMMs in the HP 4100mfp or the 4101mfp. These MFP models contain a hard drive and will ignore the optional Flash DIMMs.

**Table 25. Accessories and supplies**

Description	Part no.	Product no.
SDRAM DIMM		
4 MB	C4140-67901	C4140A
8 MB	C7842-67901	C4141A
16 MB (CPB factory default)	C7843-67901	C4142A
32 MB	C7845-67901	C4143A
64 MB (formatter factory default)	Q1887-67901	C3913A
128 MB	C9121-67901	C9121A
615N 10/100 Enhanced Input Output card	J6057-69001	J6057A
<b>WARNING!</b>	The copy processor board (CPB) will only support the 16-MB SDRAM DIMM. <i>Only</i> use the 16-MB SDRAM DIMM part number C4142-67901 on the CPB.	
Envelope feeder	C8053-69002	C8053B
500-sheet media input tray	C8055-67901	C8055A
Duplex printing accessory	C8054-69001	C8054A
Digital sending software	not applicable	C7140A
Hard disk; 5 gigabytes (GIG) or larger without firmware	J6054-61003	J6054A
HP LaserJet 4100mfp service training kit	C9148-67903	

## Consumables

**Table 26. Consumables**

Description	Product no.
HP multipurpose paper	HPM1120
HP LaserJet paper	HPJ1124
Toner cartridge (6000 page)	C8061A
Toner cartridge (10000 page)	C8061X

## Common hardware

The product has six common fasteners. See table 27 for a description of these screw types.

**Table 27. Screws used in the ADF unit and scan unit**

Description	Part no.
Screw, M4x8, self-tapping truss head	XB4-7400-809CN
Screw, M4x10, self-tapping pan head	XB4-7401-009CN
Screw, M4x12, self-tapping pan head	XB4-7401-207CN
Screw, M3x8, with washer	XA4-1238-000CN
Screw, M4x12	XA9-0773-000 CN
Screw, M3x0.5, copy processor board	0515-2908-000CN

## HP LaserJet 4100 differences

The HP LaserJet 4100mfp and the HP LaserJet 4101mfp are based on the HP 4100 series printer. See table 28 for a list of major differences between the HP 4100 series printer and the HP LaserJet 4100/4101mfp products.

**Table 28. HP LaserJet 4100 differences**

HP LaserJet 4100	HP LaserJet 4100/4101mfp
Control cover PCB assembly RG5-5372-040CN	Not used on the HP 4100/4101mfp products
Not used on the HP 4100 LaserJet series printer	Connector PCB RG5-6534-000CN See "Top-cover assembly" on page 150.
Not used on the HP 4100 LaserJet series printer	Rod RB2-8749-000CN See "Top-cover assembly" on page 150.
Not used on the HP 4100 LaserJet series printer	Panel cable RG5-6644-000CN See "Top-cover assembly" on page 150.
Not used on the HP 4100 LaserJet series printer	Spring holder, upper RB2-8754-000CN See "Top-cover assembly" on page 150.
Not used on the HP 4100 LaserJet series printer	Spring holder, lower RB2-8755-000CN See "Top-cover assembly" on page 150.
Not used on the HP 4100 LaserJet series printer	Handle, face-up RB2-8751-000CN See "Covers" on page 148.
Not used on the HP 4100 LaserJet series printer	Cover, front assembly RG5-5298-000CN See "Covers" on page 148.
Not used on the HP 4100 LaserJet series printer	Cover, key C9148-4000X See "Covers" on page 148.

## Parts lists and diagrams

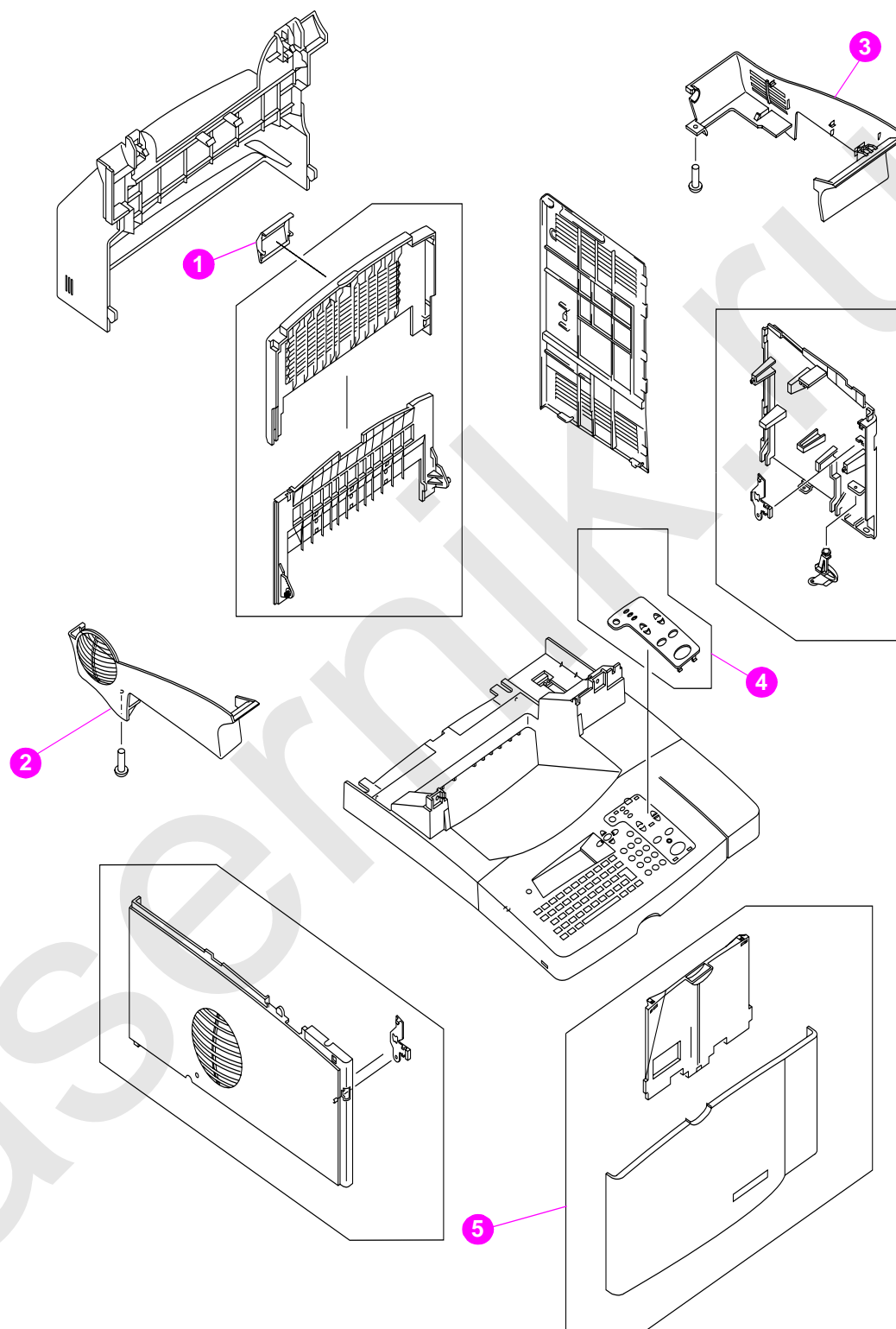
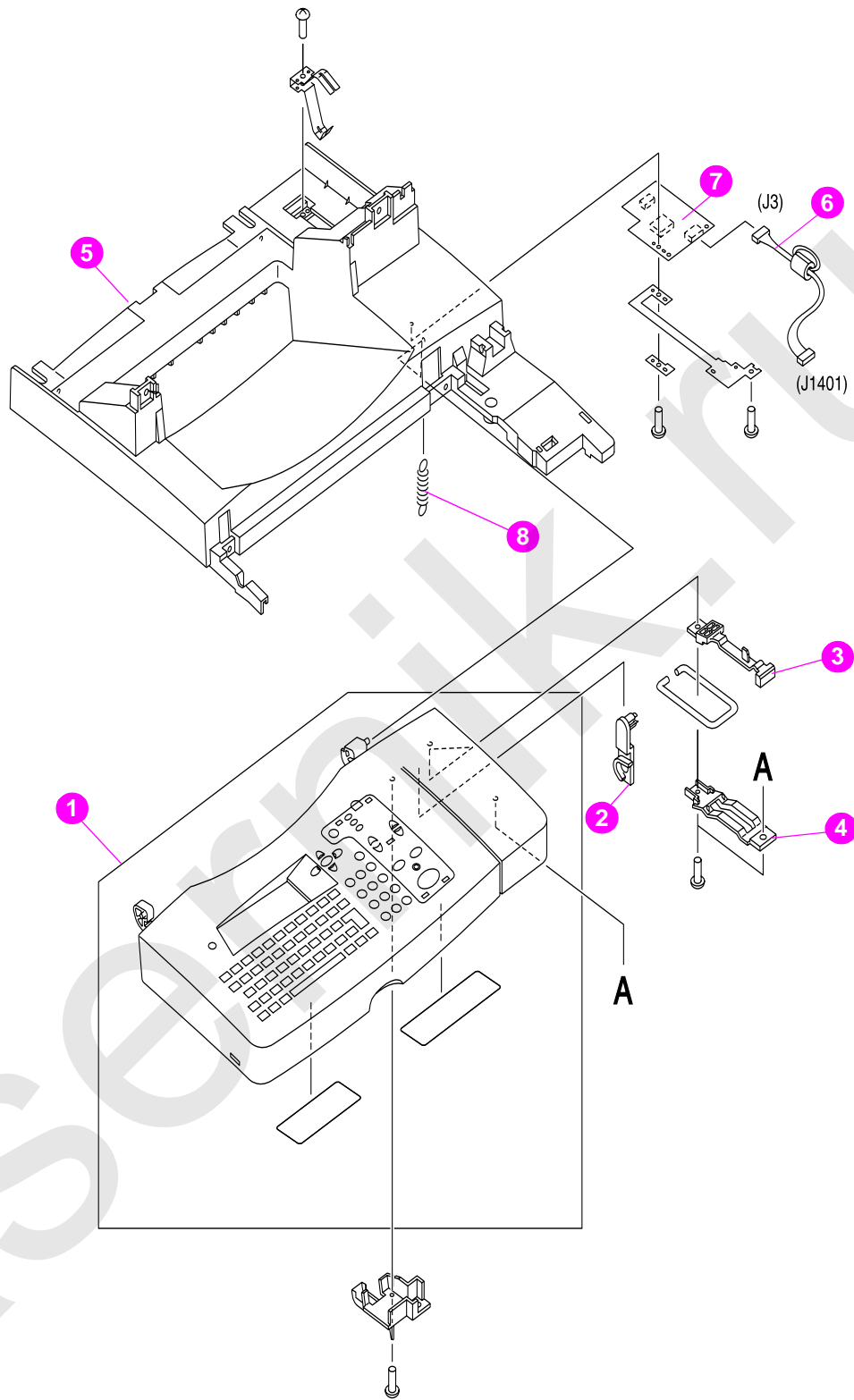


Figure 95. Covers

**Table 29. Covers**

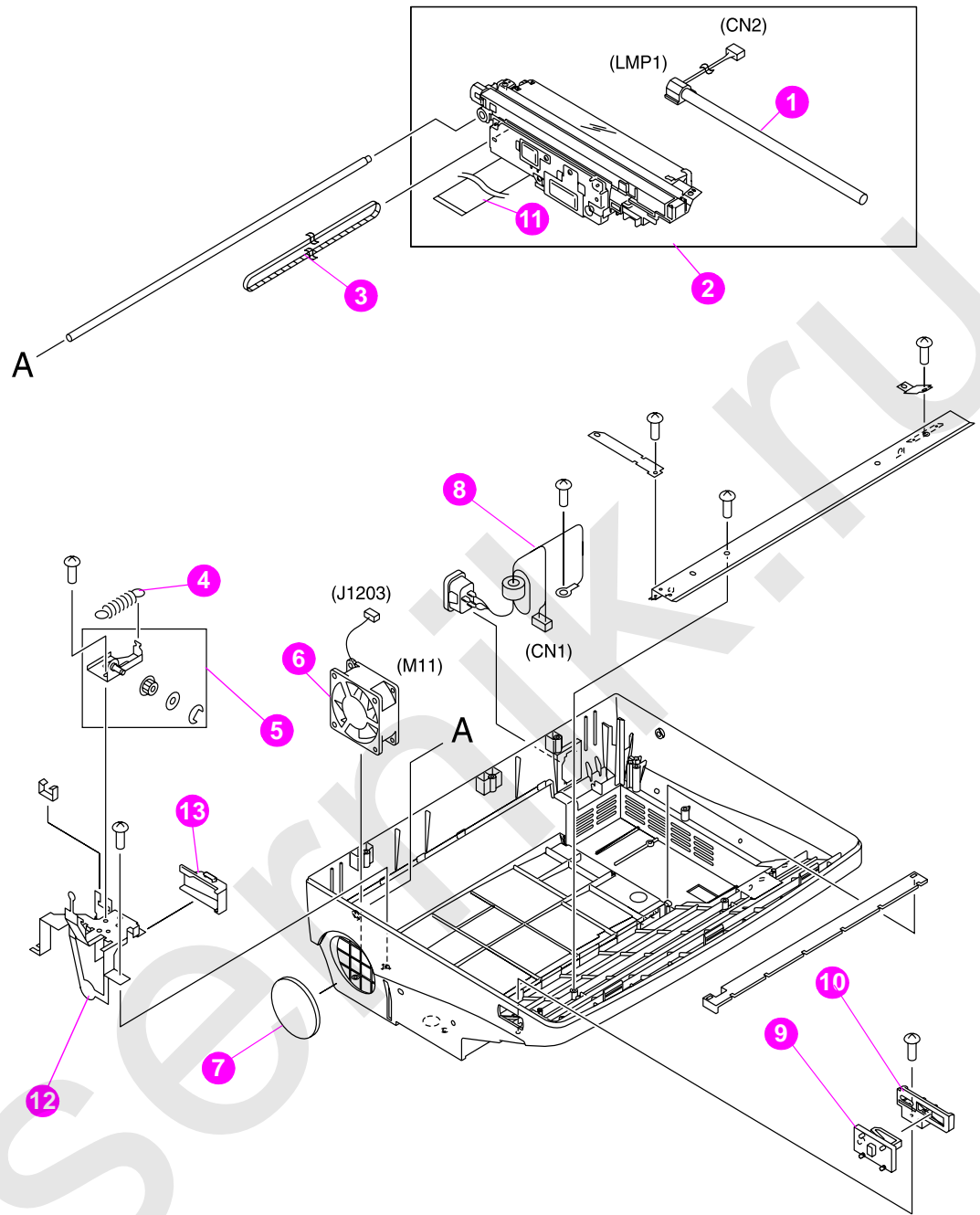
<b>Part Number</b>	<b>Description</b>	<b>Reference</b>
RB2-8751-000CN	Handle, face-up	1; Figure 95
RB2-8757-000CN	Cover, side left	2; Figure 95
RB2-8758-000CN	Cover, side right	3; Figure 95
C9148-40001 C9148-40002 C9148-40003 C9148-40004 C9148-40005 C9148-40006 C9148-40007 C9148-40008	Cover, key English Cover, key French Cover, key Italian Cover, key German Cover, key Spanish Cover, key Dutch Cover, key Danish Cover, key Finish	4; Figure 95
RG5-5298-000CN	Cover, front assembly	5; Figure 95



**Figure 96.** Top-cover assembly

**Table 30. Top-cover assembly**

<b>Part Number</b>	<b>Description</b>	<b>Reference</b>
RG5-6563-000CN	Control-panel assembly	1; Figure 96
C9148-69002	Exchange Control-panel assembly	1; Figure 96
RB2-8749-000CN	Rod	2; Figure 96
RB2-8754-000CN	Spring holder, upper	3; Figure 96
RB2-8755-000CN	Spring holder, lower	4; Figure 96
RB2-8748-000CN	Frame, upper	5; Figure 96
RG5-6644-000CN	Panel cable	6; Figure 96
RG5-6534-000CN	Connector PCB assembly	7; Figure 96
RB2-8764-000CN	Spring, tension	8; Figure 96

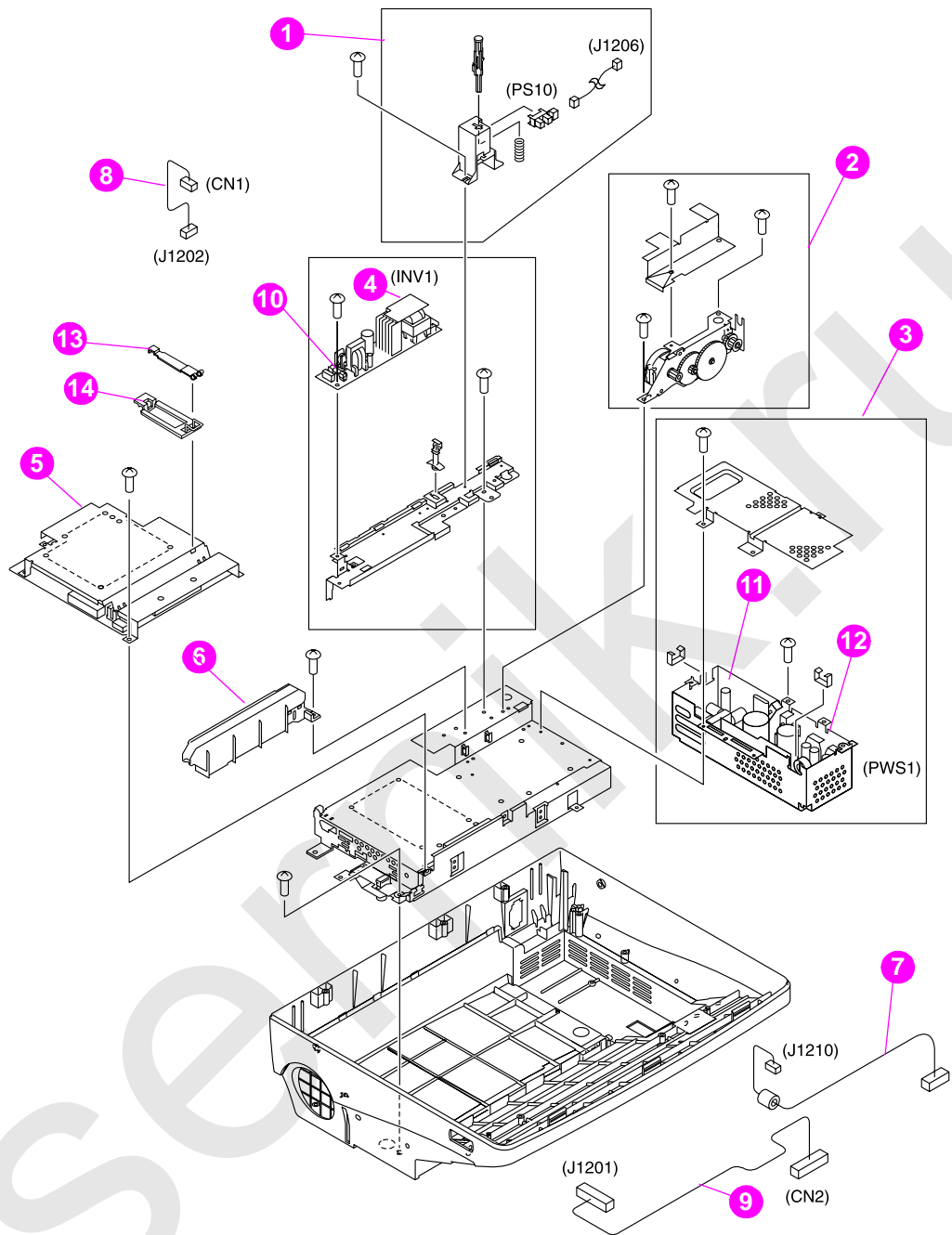


**Figure 97.** Scan unit (1 of 2)



**Table 31. Scan unit (1 of 2)**

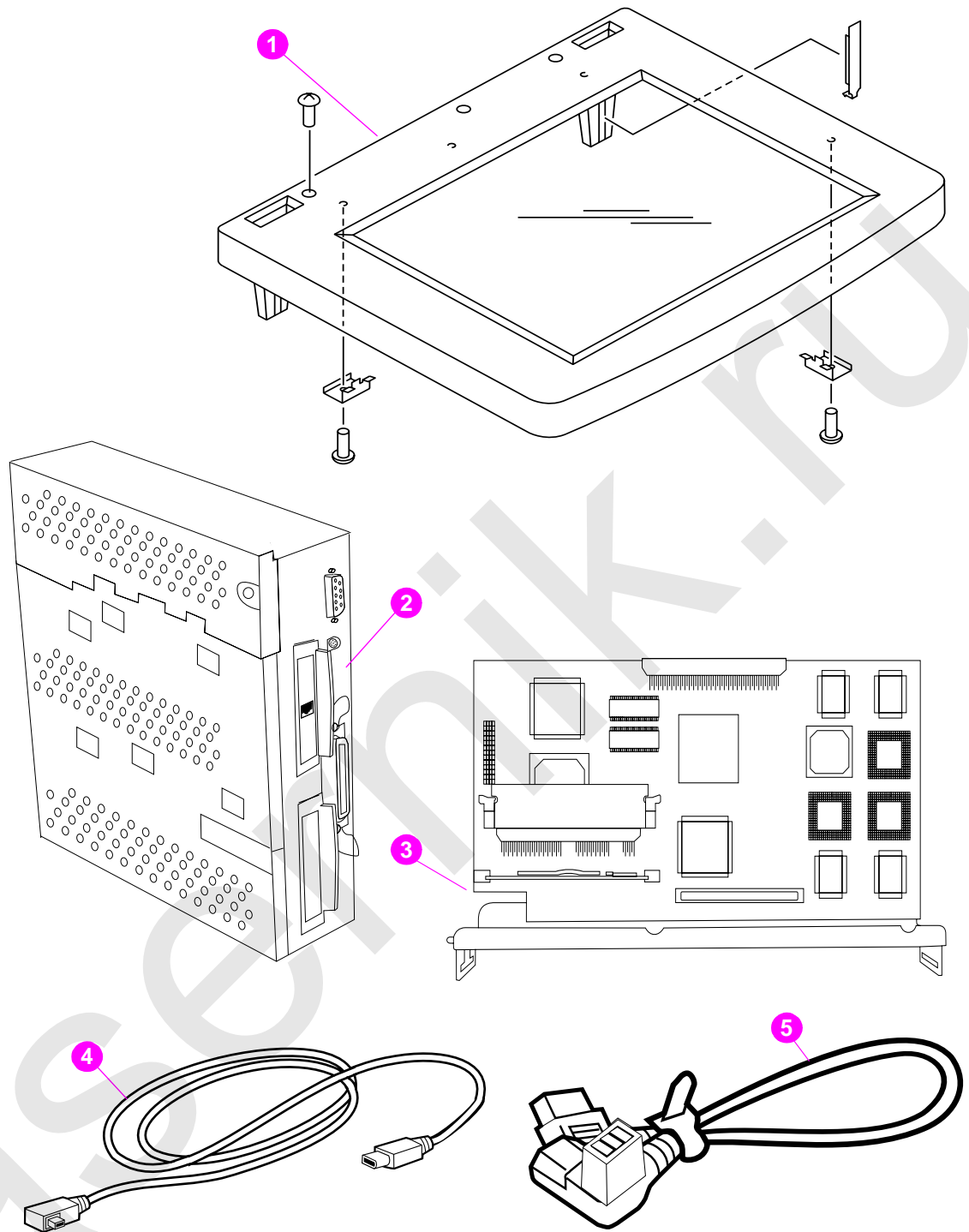
<b>Part Number</b>	<b>Description</b>	<b>Reference</b>
RH7-3074-000CN	Lamp, scanner	1; Figure 97
RG1-4124-000CN	Optical unit (comes with the scanning lamp and ribbon cable)	2; Figure 97
RA2-2964-000CN	Belt, timing	3; Figure 97
RS1-2417-000CN	Spring, Tension (tension spring for optic-unit drive belt)	4; Figure 97
RG1-4131-000CN	Pulley, carriage assembly (optic-unit drive-belt tension bracket)	5; Figure 97
RH7-1511-000CN	Fan	6; Figure 97
RA2-2955-000CN	Filter, air	7; Figure 97
RH2-5517-000CN	Cable, inlet	8; Figure 97
RA2-2947-000CN	Lever, lock	9; Figure 97
RA2-2948-000CN	Holder, lock	10; Figure 97
RH2-5476-000CN	Ribbon cable (optic scan unit)	11; Figure 97
RF1-4169-000CN	Fan cage	12; Figure 97
RA2-2961-000CN	Fan duct	13; Figure 97



**Figure 98.** Scan unit (2 of 2)

**Table 32. Scan unit (2 of 2)**

<b>Part Number</b>	<b>Description</b>	<b>Reference</b>
RG1-4120-000CN	ADF door-open sensor assembly (PS10)	1; Figure 98
RG1-4122-000CN	Scan-unit motor assembly (optic unit drive gear/motor)	2; Figure 98
RG1-4175-000CN	Power supply with veristor cover (does not include top shield)	3; Figure 98
RH7-3075-000CN	Inverter control PCB assembly	4; Figure 98
RG1-4123-000CN	Scanner controller PCB	5; Figure 98
RA2-2940-000CN	Cable guide (for the scanning lamp cable)	6; Figure 98
RH2-5513-000CN	Cable, control panel (J1210)	7; Figure 98
RH2-5515-000CN	Cable, inverter controller (J1202)	8; Figure 98
RH2-5516-000CN	Cable, power	9; Figure 98
VD7-0041-251CN	Fuse, inverter controller	10; Figure 98
RH2-5550-000CN	Veristor-cover (in the power supply)	11; Figure 98
VD7-0644-001CN	Fuse, power supply	12; Figure 98
RA2-2949-000CN	Plate, guide upper (optic unit ribbon cable clip)	13; Figure 98
RA2-2943-000CN	Plate, guide lower (optic unit ribbon cable clip)	14; Figure 98



**Figure 99.** Glass, formatter, CPB, and cables

**Table 33. Glass, formatter, CPB, high-speed copy connect cable, and power cord**

Part Number	Description	Reference
RG1-4127-000CN	Glass assembly	1; Figure 99
C7844-67901	Formatter assembly, 4100mfp and 4101mfp without hard disk, DIMMS, or JetDirect card	2; Figure 99
C9168-67911	DIMM, firmware formatter	Not shown
C9168-67902	DIMM, firmware CPB (flash)	Not shown
C8541-67901	Copy processor board (CPB) with faceplate	3; Figure 99
5969-8960	High-speed copy connect cable	4; Figure 99
C9148-60102	Power cable jumper (scan unit to print unit jumper)	5; Figure 99

**Note**

To find the part numbers for a hard disk, memory DIMMs, JetDirect card, or other accessories, see [“Accessories and supplies” on page 145](#).

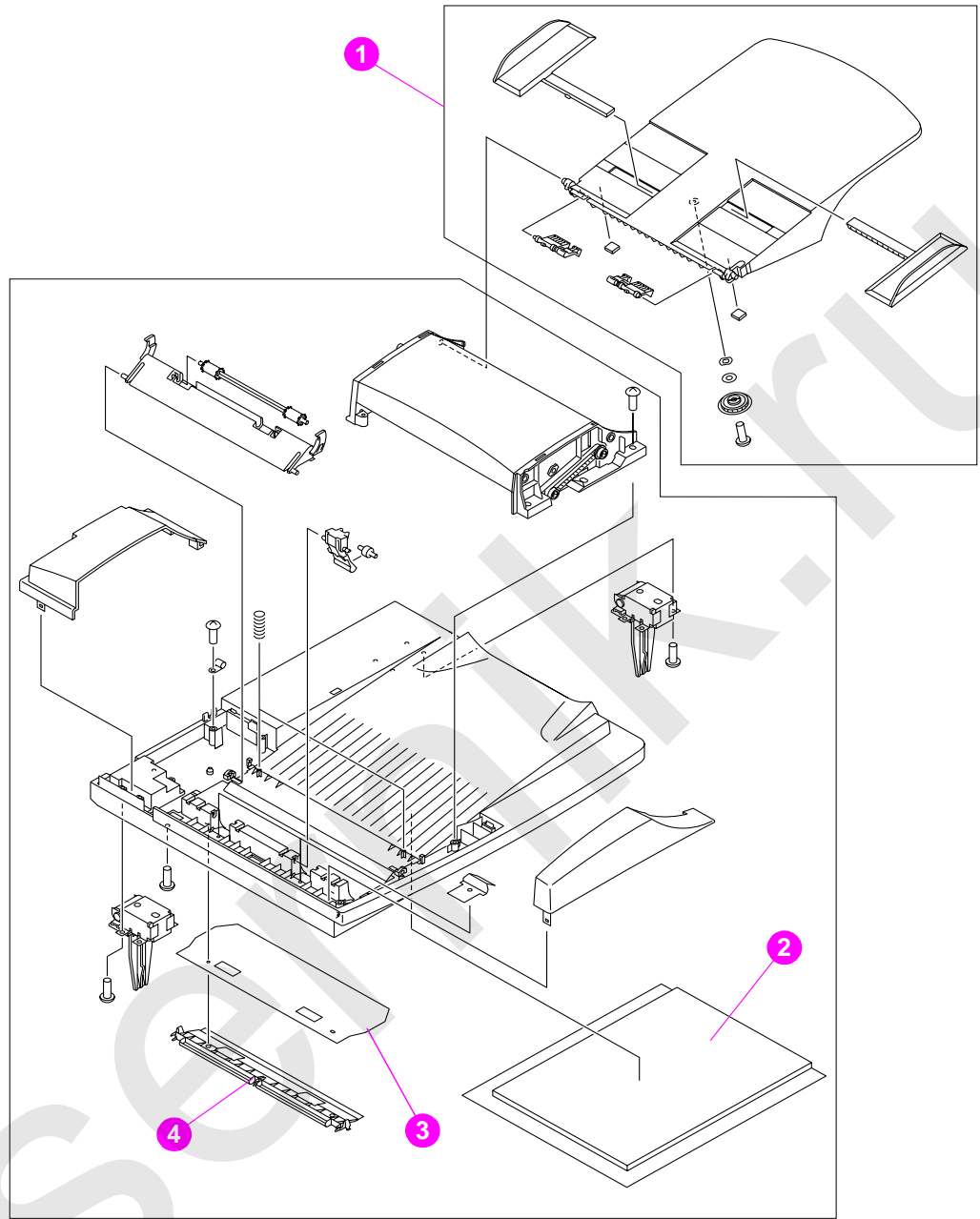


Figure 100. ADF unit (1 of 2)

**Table 34. ADF unit (1 of 2)**

Part Number	Description	Reference
RG5-6549-000CN	ADF unit (entire assembly) Does not include the ADF input tray (RG5-6579-000CN)	
C9148-69001	Exchange ADF (entire assembly) Does not include the ADF input tray (RG5-6579-000CN)	
RG5-6579-000CN	ADF input tray	1; Figure 100
RB2-8795-000CN	White backboard sheet	2; Figure 100
RB2-8793-000CN	Mylar sheet, clear	3; Figure 100
RF5-3804-000CN	Mylar-sheet holder	4; Figure 100

**Note**

Only replace the entire ADF unit if all attempts to troubleshoot the unit at a component level have failed *or* if the ADF unit component that has failed is not a service part (it has no part number). See ["Troubleshooting" on page 109](#).

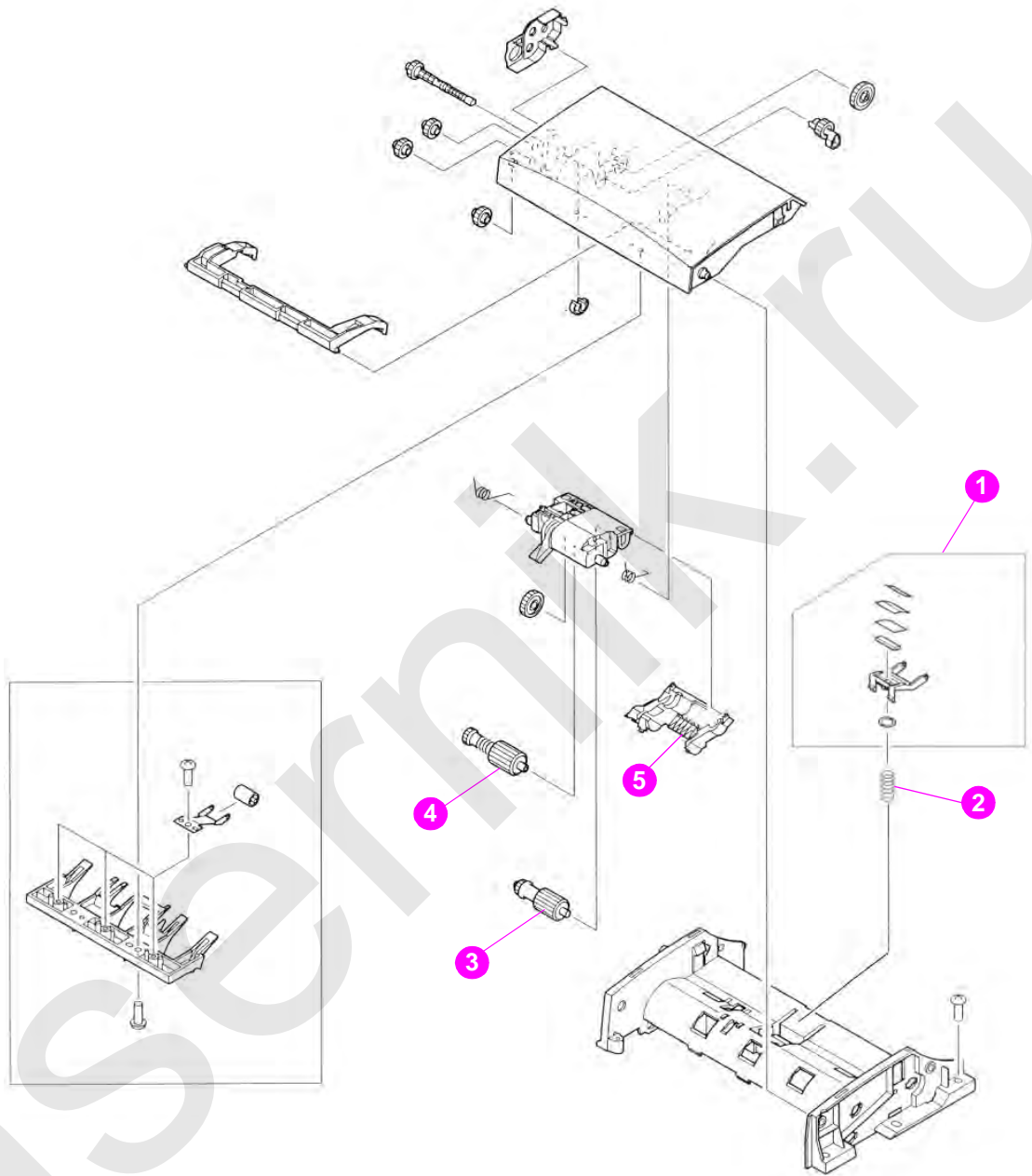


Figure 101. ADF unit (2 of 2)



**Table 35. ADF unit (2 of 2)**

<b>Part Number</b>	<b>Description</b>	<b>Reference</b>
RF5-3808-000CN	Separation-pad assembly	1; Figure 101
RS6-2572-000CN	Spring, compression	2; Figure 101
RB2-8769-0000CN	Roller, pickup	3; Figure 101
RG5-6583-000CN	Roller, separation	4; Figure 101
RB2-8781-000CN	Cover, rollers	5; Figure 101

## Alphabetical parts list

**Table 36. Alphabetical parts list**

Part Number	Description	Ref.
RG1-4120-000CN	ADF door-open sensor assembly (PS10)	1; Figure 98
RG5-6579-000CN	ADF input tray	1; Figure 100
RG5-6549-000CN	ADF unit (entire assembly) Does not include the ADF input tray (RG5-6579-000CN)	
RA2-2964-000CN	Belt, timing	3; Figure 97
RA2-2940-000CN	Cable guide (for the scanning lamp cable)	6; Figure 98
RH2-5513-000CN	Cable, control panel (J1210)	7; Figure 98
RH2-5517-000CN	Cable, inlet	8; Figure 97
RH2-5515-000CN	Cable, inverter controller (J1202)	8; Figure 98
RH2-5516-000CN	Cable, power	9; Figure 98
RG5-6534-000CN	Connector PCB assembly	7; Figure 96
RG5-6563-000CN	Control-panel assembly	1; Figure 96
C8541-67901	Copy processor board (CPB) with faceplate	3; Figure 99
RG5-5298-000CN	Cover, front assembly	5; Figure 95
C9148-40001 C9148-40002 C9148-40003 C9148-40004 C9148-40005 C9148-40006 C9148-40007 C9148-40008	Cover, key English Cover, key French Cover, key Italian Cover, key German Cover, key Spanish Cover, key Dutch Cover, key Danish Cover, key Finish	4; Figure 95
RB2-8781-000CN	Cover, rollers	5; Figure 101
RB2-8757-000CN	Cover, side left	2; Figure 95
RB2-8758-000CN	Cover, side right	3; Figure 95
C9168-67901	DIMM, firmware CPB (flash)	Not shown
C9147-679020	DIMM, firmware formatter	Not shown
RH7-1511-000CN	Fan	6; Figure 97
RF1-4169-000CN	Fan cage	12; Figure 97
RA2-2961-000CN	Fan duct	13; Figure 97
RA2-2955-000CN	Filter, air	7; Figure 97
C7844-67109	Formatter assembly, 4100mfp and 4101mfp without hard disk, DIMMS, or JetDirect card	2; Figure 99
RB2-8748-000CN	Frame, upper	5; Figure 96
VD7-0644-001CN	Fuse power supply	12; Figure 98
VD7-0041-251CN	Fuse, inverter controller	10; Figure 98
RG1-4127-000CN	Glass assembly	1; Figure 99
RB2-8751-000CN	Handle, face-up	1; Figure 95
5969-8660	High-speed copy connect cable	4; Figure 99
RA2-2948-000CN	Holder, lock	10; Figure 97
RH7-3075-000CN	Inverter control PCB assembly	4; Figure 98
RH7-3074-000CN	Lamp, scanner	1; Figure 97
RA2-2947-000CN	Lever, lock	9; Figure 97
RB2-8793-000CN	Mylar sheet, clear	3; Figure 100

**Table 36. Alphabetical parts list (continued)**

<b>Part Number</b>	<b>Description</b>	<b>Ref.</b>
RF5-3804-000CN	Mylar-sheet holder	4; Figure 100
RG1-4124-000CN	Optical unit (comes with the scanning lamp and ribbon cable)	2; Figure 97
RG5-6644-000CN	Panel cable	6; Figure 96
RA2-2943-000CN	Plate, Guide lower	14; Figure 98
RA2-2949-000CN	Plate, Guide upper	13; Figure 98
C9148-60102	Power cable jumper (scan unit to print unit jumper)	5; Figure 99
RH1-4175-000CN	Power supply with veristor cover (does not include top shield)	3; Figure 98
RG1-4131-000CN	Pulley, carriage assembly (optic-unit drive-belt tension bracket)	5; Figure 97
RH2-5476-000CN	Ribbon cable (optic scan unit)	11; Figure 97
RB2-8749-000CN	Rod	2; Figure 96
RB2-8769-0000CN	Roller, pickup	3; Figure 101
RG5-6583-000CN	Roller, separation	4; Figure 101
RG1-4123-000CN	Scanner controller PCB	5; Figure 98
RG1-4122-000CN	Scan-unit motor assembly (optic unit drive gear/motor)	2; Figure 98
RF5-3808-000CN	Separation-pad assembly	1; Figure 101
RB2-8755-000CN	Spring holder, lower	4; Figure 96
RB2-8754-000CN	Spring holder, upper	3; Figure 96
RS6-2572-000CN	Spring, compression	2; Figure 101
RB2-8764-000CN	Spring, tension	8; Figure 96
RS1-2417-000CN	Spring, Tension (tension spring for optic-unit drive belt)	4; Figure 97
RH2-5550-000CN	Veristor-cover (in the power supply)	11; Figure 98
RB2-8795-000CN	White backboard sheet	2; Figure 100

## Numerical parts list

**Table 37. Numerical parts list**

Part Number	Description	Ref.
5969-8660	High-speed copy connect cable	4; Figure 99
C7844-67901	Formatter assembly, 4100mfp and 4101mfp without hard disk, DIMMS, or JetDirect card	2; Figure 99
C8541-67901	Copy processor board (CPB) with faceplate	3; Figure 99
C9147-67920	DIMM, firmware formatter	Not shown
C9148-40001 C9148-40002 C9148-40003 C9148-40004 C9148-40005 C9148-40006 C9148-40007 C9148-40008	Cover, key English Cover, key French Cover, key Italian Cover, key German Cover, key Spanish Cover, key Dutch Cover, key Danish Cover, key Finish	4; Figure 95
C9148-60102	Power cable jumper (scan unit to print unit jumper)	5; Figure 99
C9168-67901	DIMM, firmware CPB (flash)	Not shown
RA2-2940-000CN	Cable guide (for the scanning lamp cable)	6; Figure 98
RA2-2943-000CN	Plate, Guide lower (optic unit ribbon cable clip)	14; Figure 98
RA2-2947-000CN	Lever, lock	9; Figure 97
RA2-2948-000CN	Holder, lock	10; Figure 97
RA2-2949-000CN	Plate, Guide upper (optic unit ribbon cable clip)	13; Figure 98
RA2-2955-000CN	Filter, air	7; Figure 97
RA2-2961-000CN	Fan duct	13; Figure 97
RA2-2964-000CN	Belt, timing	3; Figure 97
RB2-8748-000CN	Frame, upper	5; Figure 96
RB2-8749-000CN	Rod	2; Figure 96
RB2-8751-000CN	Handle, face-up	1; Figure 95
RB2-8754-000CN	Spring holder, upper	3; Figure 96
RB2-8755-000CN	Spring holder, lower	4; Figure 96
RB2-8757-000CN	Cover, side left	2; Figure 95
RB2-8758-000CN	Cover, side right	3; Figure 95
RB2-8764-000CN	Spring, tension	8; Figure 96
RB2-8769-000CN	Roller, pickup	3; Figure 101
RB2-8781-000CN	Cover, rollers	5; Figure 101
RB2-8793-000CN	Mylar sheet, clear	3; Figure 100
RB2-8795-000CN	White backboard sheet	2; Figure 100
RF1-4169-000CN	Fan cage	12; Figure 97
RF5-3804-000CN	Mylar-sheet holder	4; Figure 100
RF5-3808-000CN	Separation-pad assembly	1; Figure 101
RG1-4120-000CN	ADF door-open sensor assembly (PS10)	1; Figure 98
RG1-4122-000CN	Scan-unit motor assembly (optic unit drive gear/motor)	2; Figure 98
RG1-4123-000CN	Scanner controller PCB	5; Figure 98

**Table 37. Numerical parts list (continued)**

<b>Part Number</b>	<b>Description</b>	<b>Ref.</b>
RG1-4124-000CN	Optical unit (comes with the scanning lamp and ribbon cable)	2; Figure 97
RG1-4127-000CN	Glass assembly	1; Figure 99
RG1-4131-000CN	Pulley, carriage assembly (optic-unit drive-belt tension bracket)	5; Figure 97
RG5-5298-000CN	Cover, front assembly	5; Figure 95
RG5-6534-000CN	Connector PCB assembly	7; Figure 96
RG5-6549-000CN	ADF unit (entire assembly) Does not include the ADF input tray (RG5-6579-000CN)	
RG5-6563-000CN	Control-panel assembly	1; Figure 96
RG5-6579-000CN	ADF input tray	1; Figure 100
RG5-6583-000CN	Roller, separation	4; Figure 101
RG5-6644-000CN	Panel cable	6; Figure 96
RH1-4175-000CN	Power supply with veristor cover (does not include top shield)	3; Figure 98
RH2-5476-000CN	Ribbon cable (optic scan unit)	11; Figure 97
RH2-5513-000CN	Cable, control panel (J1210)	7; Figure 98
RH2-5515-000CN	Cable, inverter controller (J1202)	8; Figure 98
RH2-5516-000CN	Cable, power	9; Figure 98
RH2-5517-000CN	Cable, inlet	8; Figure 97
RH2-5550-000CN	Veristor-cover (in the power supply)	11; Figure 98
RH7-1511-000CN	Fan	6; Figure 97
RH7-3074-000CN	Lamp, scanner	1; Figure 97
RH7-3075-000CN	Inverter control PCB assembly	4; Figure 98
RS1-2417-000CN	Spring, Tension (tension spring for optic-unit drive belt)	4; Figure 97
RS6-2572-000CN	Spring, compression	2; Figure 101
VD7-0041-251CN	Fuse, inverter controller	10; Figure 98
VD7-0644-001CN	Fuse, power supply	12; Figure 98