

500 Sheet Tray**Bushing**

1 RB1-8946-000CN Separation roller bushing

Clutch

2 RB1-8974-000CN Separation roller clutch - Torque limiter

Coupler

3 RB1-8945-000CN Separation roller/gear coupler

Lifter

4 RB1-8961-000CN Arm lifter - White plastic arm that holds top left side metal corner piece up when loading paper in tray

5 RB1-8962-000CN Arm lifter - White plastic arm that holds top right side metal corner piece up when loading paper in tray

Panel

6 RB1-8947-000CN Separation roller access panel

Roller

7 RF5-3114-000CN Feed roller

Spindle

8 RF5-2489-000CN Separation roller mounting assembly

Spring

9 RS5-2622-020CN Separation roller tension spring

Accessories**Cartridge**

C8061X Black toner (EP) cartridge - With 'Micro-Fine' toner - Has maximum capacity toner (prints approximately 10,000 pages)

IR Assembly

C4103A HP FIR pod - Fast Infrared Connection pod

Kit

C8057-67903 Maintenance kit (120V) - Includes fusing assembly three separation rollers, transfer roller, three paper feed rollers, pickup roller and instruction manual

C8057-69003 Maintenance kit (120V) - Includes fusing assembly three separation rollers, transfer roller, three paper feed rollers, pickup roller and instruction manual
REQUIRES RETURN OF DEFECTIVE PART

C8057-67903 New Part for C8057-69003

C8057A Maintenance kit (120V) - Includes fusing assembly three separation rollers, transfer roller, three paper feed rollers, pickup roller and instruction manual

C8058A Maintenance kit (220V) - Includes fusing assembly three separation rollers, transfer roller, three paper feed rollers, pickup roller and instruction manual

H3970-60001 Roller kit - LaserJet 4100 series paper path roller kit - Kit contains 4 feed/separation rollers, 8 cassette pickup D-rollers, and 1 MP tray pickup roller - Installation of kit requires service manual

C8055A 500 Sheet Feeder**Arm**

17 RB1-8879-000CN Paper tray sensing arm

Button

18 RB2-3497-000CN Release lever button

Cable

19 RG5-3711-000CN Optical sensor cable

20 RG5-3822-000CN Paper feeder cable

Clip

21 RB1-9397-000CN Grounding strap



C8055A 500 Sheet Feeder

Connector

22 RG5-3712-000CN Lower tray connector and cable

Cover

23 RB2-4836-000CN Rear tray cover

Drive Assembly

24 RG5-5293-000CN Optional 500 sheet paper pickup drive assembly

Frame

25 RG5-2689-030CN Upper frame assembly

26 RG5-5291-000CN Right side frame assembly

27 RG5-5292-000CN Left side frame assembly

Guide

28 RB1-8914-000CN Lower paper guide

29 RB1-8924-000CN Optional lower cassette support guide

30 RB1-9385-000CN Optional lower cassette support guide

Hook

31 RB1-2190-000CN Pick-up roller spring hook

Lever

32 RB2-2412-000CN Release lever - Actuated by release button

PC Board

33 RG5-5539-000CN Lower tray logic PCA - With tray size switches

Roller

34 RB1-8957-000CN Paper pick-up roller - 'D' roller (Sold individually)

35 RF5-3114-000CN Feed roller

Sensor

36 WG8-5362-000CN Optical sensor

Spring

37 RS5-2632-000CN Tension spring - Provides tension for pickup roller

38 RS5-2658-000CN Release lever spring - Provides tension for tray release lever

Duplexer Components

Cover

39 RB1-9045-000CN Duplexer rear cover panel

40 RB2-4766-000CN Duplexer access top cover

41 RB2-4768-000CN Right side duplexer cover

42 RF5-3092-000CN Left side duplexer cover - With connector

Fan

43 RH7-1361-000CN Duplexer fan - 24VDC

Electronic Accessories

Cable (Interface)

C2951A IEEE-1284 Bi-Tronics parallel cable - DB-25 (M) connector (type A) to 36 pin Centronics (M) connector (type B) - 3.0m (9.8ft) long

Drive

J6054-61001 5GB EIO hard drive - (J6054A)

J6054-61031 *New Part for J6054-61001*

Electronic Accessories**Duplexer**

C8054-69001	Duplexer assembly - For 2 sided printing
C8054A	Optional duplexer assembly - For 2 sided printing

Envelope Feeder

C8053-69002	Power envelope feeder - Holds 75 monarch, C5, DL, B5, or COM10 envelopes
C8053A	Power envelope feeder - Holds 75 monarch, C5, DL, B5, or COM10 envelopes
C8053B	<i>New Part for C8053A</i>

Interface (Product)

J3110A	Ethernet 10Base-T (RJ-45) EIO network internal print server PC board
J3111A	Ethernet 10Base-T/10Base2 and LocalTalk (RJ-45, BNC, LocalTalk) EIO network PCA
J4135A	JetDirect connectivity card - Has one USB port, one serial (DB9) port and one LocalTalk port - Plugs in the EIO slot on selected DesignJet and LaserJet printers
J4169A	JetDirect 610N internal print server (10Base-T and 100Base-TX) LAN interface board - Plugs into peripheral EIO slot - Has a RJ-45 connector - Comes with software on CD-ROM and manual
J6057A	JetDirect 615N internal print server (10Base-T and 100Base-TX) LAN interface board - Plugs into peripheral EIO slot - Has a RJ-45 connector - Comes with software on CD-ROM and manual
J6057AR	JetDirect 615N internal print server (10Base-T and 100Base-TX) LAN interface board - Plugs into peripheral EIO slot - Has a RJ-45 connector - Comes with software on CD-ROM and manual

Memory (DIMM)

C7842-67901	8MB, 100-pin SDRAM DIMM memory module
C7843-67901	16MB, 100-pin SDRAM DIMM memory module
C7845-67901	32MB, 100-pin SDRAM DIMM memory module
C7846-67901	64MB SDRAM - 100MHz synchronous DRAM - DIMM package
Q1887-67901	<i>New Part for C7846-67901</i>

Memory (Product)

C4140A	4MB, 100-pin SDRAM DIMM memory module NO LONGER SUPPLIED
C7842A	<i>New Part for C4140A</i>
C4286A	2MB flash DIMM memory - Font storage device
C4292A	8MB Traditional Chinese MROM DIMM - For LaserJet 4000 and 5100 series printers
C4293A	8MB Simplified Chinese MROM DIMM - For LaserJet 4000 and 5100 series printers
C7842A	8MB, 100-pin SDRAM DIMM memory module
C7843A	16MB, 100-pin SDRAM DIMM memory module
C7845A	32MB, 100-pin SDRAM DIMM memory module
C9121A	128MB, 100MHz synchronous SDRAM DIMM memory module
Q1887A	64MB, 100-pin synchronous SDRAM DIMM memory module

PC Board (Interface)

J4169-69001	JetDirect 610N internal print server 10Base-T and 100Base-T LAN interface board - Has one RJ-45 connector
J6057-69001	<i>New Part for J4169-69001</i>

Envelope Feeder**Tray**

70	RB2-4734-020CN	Envelope feeder input tray
----	----------------	----------------------------

Weight

71	RG5-2734-000CN	Envelope weight assembly - Pivot mount and tension weight
----	----------------	---



External Case Parts

Button

72 RB1-8849-030CN Power switch button

Clip

73 RB1-8860-000CN Right side panel retainer clip

Cover

74 RB1-8858-000CN Formatter board cover panel

75 RB2-4827-000CN Duplexer cover

76 RG5-2664-070CN Right front cover assembly

77 RG5-5098-000CN Left side cover assembly - Includes panel retainer clip

Tray

78 RG5-5097-000CN Drop down rear output tray - Includes pull-out extension

Fusing Assembly Parts

Fusing Assembly

79 C8049-69013 Fusing assembly - 110 volts
REQUIRES RETURN OF DEFECTIVE PART

RG5-5063-340CN New Part for C8049-69013

80 C8049-69014 Fusing assembly - 220 volts
REQUIRES RETURN OF DEFECTIVE PART

RG5-5064-340CN New Part for C8049-69014

RG5-5063-340CN Fusing assembly - 110 volts

Heating Roller

RG5-5068-090CN Fusing roller - Heating element and film sleeve - 110V

RG5-5069-090CN Fusing roller - Heating element and film sleeve - 220V

Roller

RB2-4927-020CN Fuser assembly delivery roller

RB2-4937-000CN Fusing assembly pressure roller

Internal Components

Actuator

86 RB1-8756-000CN Toner cartridge drive rod

87 RB1-8851-000CN Power switch actuator rod

Antenna

88 RG5-5273-000CN Antenna assembly

Arm

89 RB1-8700-000CN Laser shutter arm

Bracket

90 RB2-5008-000CN Cartridge memory antenna mounting bracket (support plate)

Cable

91 RG5-3711-000CN Optical sensor cable

92 RG5-5341-000CN Tray 1 sensor cable

93 RG5-5343-000CN Paper feed and tray 1 pickup solenoid cable

94 RG5-5344-000CN Envelope feeder cable with connector

95 RG5-5345-000CN Top cover switch cable

96 RG5-5346-000CN Main motor cable

97 RG5-5348-000CN Cable assembly - A 7 pin (F) connector to both a 27.9cm (11 inch) cable with a 4 pin (F) connector and a 36.8cm (14.5 inch) cable with a 3 pin (F) connector

Internal Components**Cable**

98	RG5-5349-000CN	Cable assembly - 13 pin (F) connector to 12 pin (F) connector - 30.8cm (12.1 inches) long
99	RG5-5350-000CN	Laser/scanner assembly laser cable
100	RG5-5351-000CN	Formatter assembly cable
101	RG5-5357-000CN	Feed/registration sensor assembly cable
102	RG5-5358-000CN	Duplexer cable
103	RG5-5470-000CN	Cable assembly - Has two 10 pin (F) connectors - 33.0cm (13 inches) long
104	RG5-5471-000CN	Antenna cable

Clip

105	RB2-4969-000CN	Registration assembly grounding clip
106	RB2-4986-000CN	Fan mounting clip

Connector

107	RG5-3712-000CN	Lower tray connector and cable
-----	----------------	--------------------------------

Cover

108	RG5-2669-050CN	Feeder cover left side
	RG5-5274-000CN	Front right side inner cover assembly

Drive Assembly

110	RG5-5087-000CN	Print drive gear assembly
111	RG5-5095-000CN	Delivery drive assembly

Fan

112	RH7-1442-000CN	Main cooling fan
-----	----------------	------------------

Frame

113	RG5-5072-000CN	Tray 2 upper frame assembly
114	RG5-5278-000CN	Right side tray 2 frame assembly with paper size PCB

Gear Assembly

115	RG5-3723-000CN	MP tray coupler gear and mounting plate
-----	----------------	---

Guide

116	RB1-8704-030CN	Bottom cable guide
-----	----------------	--------------------

Hardware

117	RB2-5013-000CN	Screw - M4 x 8.3mm
-----	----------------	--------------------

Holder

118	RB2-4992-000CN	Formatter board cable holder - Right side
-----	----------------	---

Insulator

	RB2-4975-000CN	Insulation sheet - Insulator sheet for controller board
--	----------------	---

Laser/Scanner

120	RB1-8699-000CN	Laser/scanner shutter
-----	----------------	-----------------------

Lever Assembly

121	RB2-4837-000CN	Tray size sensing lever assembly
-----	----------------	----------------------------------

Motor

122	RH7-1504-000CN	Main motor assembly
-----	----------------	---------------------

Mount

123	RB2-4996-000CN	Thermistor mount for TH3
-----	----------------	--------------------------

Internal Components**Paper Pick-Up**

124 RG5-5084-040CN Tray 1 paper pickup assembly

Plate

125 RB2-5002-000CN Continuity plate

Sensor

126 WG8-5362-000CN Optical sensor

Spring

127 RB1-8702-000CN Laser shutter spring - Provides tension for laser shutter

128 RB2-4122-000CN Tray 1 hinge spring

129 RB2-4997-020CN Toner cartridge grounding spring

Support

130 RB2-5003-000CN Top cover left side support

Thermistor

131 RH7-7116-000CN Environment temperature detection thermistor - Detects ambient air temperature to determine length of time for fuser warm up.

Tray

132 RG5-2656-080CN Paper input tray (Tray 1) - Multi-Purpose tray assembly

LaserJet Electronics**Laser/Scanner**

133 C8049-69005 Laser/scanner assembly
REQUIRES RETURN OF DEFECTIVE PART

RG5-5100-080CN *New Part for C8049-69005*

PC Board

C4169-69001 Formatter board assembly
REQUIRES RETURN OF DEFECTIVE PART

C4169-67901 *New Part for C4169-69001*

Power Cord

8120-8381 Power cord (Flint Gray) - 18 AWG, 1.8m (72 in.) long - Has 90 degree (F) receptacle (For 120V in the USA, Canada, Latin America, Korea, Taiwan, and Thailand)

Receptacle

136 RG5-5111-000CN AC power receptacle - Connector and housing assembly - 110VAC

137 RG5-5280-000CN AC power receptacle - Connector and housing assembly - 220VAC

Sensor

138 RG5-5275-000CN Registration and feed sensors assembly - Includes PS 102/103

Switch

139 WC4-5139-000CN Top cover interlock access switch

Transceiver

140 RG5-5276-000CN Toner cartridge memory transceiver assembly - Provides communication between memory controller board and toner cartridge memory

Logic/Control Electronics**Drive (Product)**

C2985A 2.1GB hard drive - LaserJet EIO font/print job storage
NO LONGER SUPPLIED

C2985B *New Part for C2985A*



Logic/Control Electronics

PC Board

- 142 C8049-69009 Engine controller board - Provides all power supply and motor control functions, including power switch - 110 volts - Does not include insulator sheet or bottom metal plate
- 143 C8049-69010 Engine controller board - Provides all power supply and motor control functions - 220 volt - Does not include insulator sheet or bottom metal plate
REQUIRES RETURN OF DEFECTIVE PART
RG5-5360-050CN New Part for C8049-69010
- 144 RG5-2673-000CN Feeder controller board - Paper Size detection
RG5-5359-060CN Engine controller board - Provides all power supply and motor control functions, including power switch - 110 volts - Does not include insulator sheet or bottom metal plate
- 146 RG5-6996-000CN Cartridge memory controller board - Between ECU and the toner cartridge memory antenna

Other Accessories

Cartridge

- C8061-67901 Black toner (EP) cartridge - With 'Micro-Fine' toner - Has standard capacity toner - Prints approximately 6,000 pages
- C8061-67902 Black toner (EP) cartridge - With 'Micro-Fine' toner - Has maximum capacity toner - Prints approximately 10,000 pages

Cleaning Supplies

- 5090-3379 Toner cleaning cloth - Specially treated cloth for absorbing toner (1 per package) - Ideal for cleaning up toner spills

IR Assembly

- C4103-67901 FIR pod - Fast infrared receiver - With cable that plugs into formatter board port on back of printer

Manual

- 5851-1891 LaserJet quick reference service guide (monochrome) - Covers the LaserJet 1000, 1100, 1300, 2300, 3300mfp, 4100mfp, 4200, 4300, 5000, 5100, 8150 and 9000 series printers
- C8049-90925 LaserJet 4100 service manual (English)

Tray

- C8056-69001 500-sheet tray/cassette - This is only the tray, does not include feeder or frame that tray goes into
REQUIRES RETURN OF DEFECTIVE PART
C8056-67901 New Part for C8056-69001
- C8056A HP LaserJet 4000/4100 500 sheet tray/cassette - Tray only, does not include feeder or frame that tray goes into

Tray Assembly

- C8055-67901 500-sheet paper feeder and tray/cassette - This is the frame and tray that the printer sits on top of
- C8055A HP LaserJet 4100 500-sheet paper feeder and tray/cassette - This is the assembly frame and tray that the printer sits on top of

Paper Path Parts

ADF Assembly

- C9148-69004 ADF assembly - Does not include ADF input tray
- RG5-6549-090CN New Part for C9148-69004*

Arm

- 158 C8049-67904 Left side output kicker
- 159 RG5-5093-000CN Delivery sensor arm assembly

Coupler

- 160 C4119-67902 Coupler kit - Contains pickup roller coupler, four paper tray load limit clips and installation instruction sheet

Feed Assembly

- 161 RG5-5086-000CN Paper feed assembly

Flag

- RB2-5034-000CN Paper sensor flag - Arm that triggers PS106



Paper Path Parts

Guide

- 163 RB2-5043-000CN Lower transfer roller guide
- 164 RG5-5083-000CN Paper feed guide assembly

Kit

- C8058-67903 Maintenance kit (240V) - Includes fusing assembly three separation rollers, transfer roller, three paper feed rollers, pickup roller and instruction manual
- C8058-69003 Maintenance kit (240V) - Includes fusing assembly three separation rollers, transfer roller, three paper feed rollers, pickup roller and instruction manual
REQUIRES RETURN OF DEFECTIVE PART
- C8058-67903 *New Part for C8058-69003*

Paper Output Unit

- 167 RG5-5094-050CN Paper delivery assembly

Pickup Assembly

- 168 RG5-5277-000CN Tray 2 pickup assembly

Roller

- 169 RF5-3114-000CN Feed roller
- 170 RG5-5295-000CN Transfer roller assembly

Roller Assembly

- 171 RG5-5085-000CN Registration assembly

Shaft

- RB1-8867-000CN Pickup roller shaft - Shaft that the four pickup rollers mount to - Tray 2 pickup roller shaft

Spring

- RB2-5035-000CN Torsion spring - Provides tension for paper flag

Pickup Assembly

Arm

- 174 RB1-8879-000CN Paper tray sensing arm

Hook

- 175 RB1-2190-000CN Pick-up roller spring hook

Roller

- 176 RB1-8957-000CN Paper pick-up roller - 'D' roller (Sold individually)

Spring

- 177 RS5-2632-000CN Tension spring - Provides tension for pickup roller

Top Cover Assembly

Control Panel

- 178 RG5-5372-050CN Control panel - Does not include overlay

Cover

- 179 RG5-2663-090CN Top cover assembly - Does not include control panel

Latch

- 180 RB1-8846-000CN Rear output tray - Drop down release latch

Overlay

- C4251-40001 LaserJet 4050/4100 control panel overlay (English)
- C4251-40002 LaserJet 4050/4100 control panel overlay (French)
- C4251-40003 LaserJet 4050/4100 control panel overlay (Italian)
- C4251-40004 LaserJet 4050/4100 control panel overlay (Portuguese)
- C4251-40005 LaserJet 4050/4100 control panel overlay (Norwegian)

Top Cover Assembly**Overlay**

C4251-40006	LaserJet 4050/4100 control panel overlay (Hungarian)
C4251-40007	LaserJet 4050/4100 control panel overlay (Swedish)
C4251-40008	LaserJet 4050/4100 control panel overlay (Polish)
C4251-40009	LaserJet 4050/4100 control panel overlay (Russian)
C4251-40010	LaserJet 4050/4100 control panel overlay (Czechoslovakian)
C4251-40011	LaserJet 4050/4100 control panel overlay (Korean)
C4251-40012	LaserJet 4050/4100 control panel overlay (Simplified Chinese)
C4251-40013	LaserJet 4050/4100 control panel overlay (Traditional Chinese)
C4251-40014	LaserJet 4050/4100 control panel overlay (German)
C4251-40015	LaserJet 4050/4100 control panel overlay (Spanish)
C4251-40016	LaserJet 4050/4100 control panel overlay (Danish)
C4251-40017	LaserJet 4050/4100 control panel overlay (Dutch)
C4251-40018	LaserJet 4050/4100 control panel overlay (Greek)
C4251-40019	LaserJet 4050/4100 control panel overlay (Finnish)
C4251-40020	LaserJet 4050/4100 control panel overlay (Turkish)
C4251-40021	LaserJet 4050/4100 control panel overlay (Hebrew)
C4251-40022	LaserJet 4050/4100 control panel overlay (Arabic)
C4251-40023	LaserJet 4050/4100 control panel overlay (Japanese)
C4251-40024	LaserJet 4050/4100 control panel overlay (Thailand)

Panel

205	RB1-8841-000CN	Toner cartridge access panel
-----	----------------	------------------------------

Spring

206	RB1-8847-000CN	Rear tray latch release spring
-----	----------------	--------------------------------

Tray 1 Pickup Assembly**Arm**

207	RB1-8787-000CN	Tray 1 paper sensor actuator arm NO LONGER SUPPLIED
	RF5-3116-000CN	New Part for RB1-8787-000CN

208	RB2-2387-000CN	Tray 1 retaining arm
-----	----------------	----------------------

Cover

209	RB2-5019-000CN	Gear cover on right side of tray 1 pickup assembly
210	RB2-5037-000CN	Envelope feeder cover

Pad

211	RF5-3086-000CN	Separation pad for tray 1 pickup assembly
-----	----------------	---

Roller

212	RG5-3718-000CN	Tray 1 pickup roller assembly
-----	----------------	-------------------------------

Sensor

213	WG8-5362-000CN	Optical sensor
-----	----------------	----------------

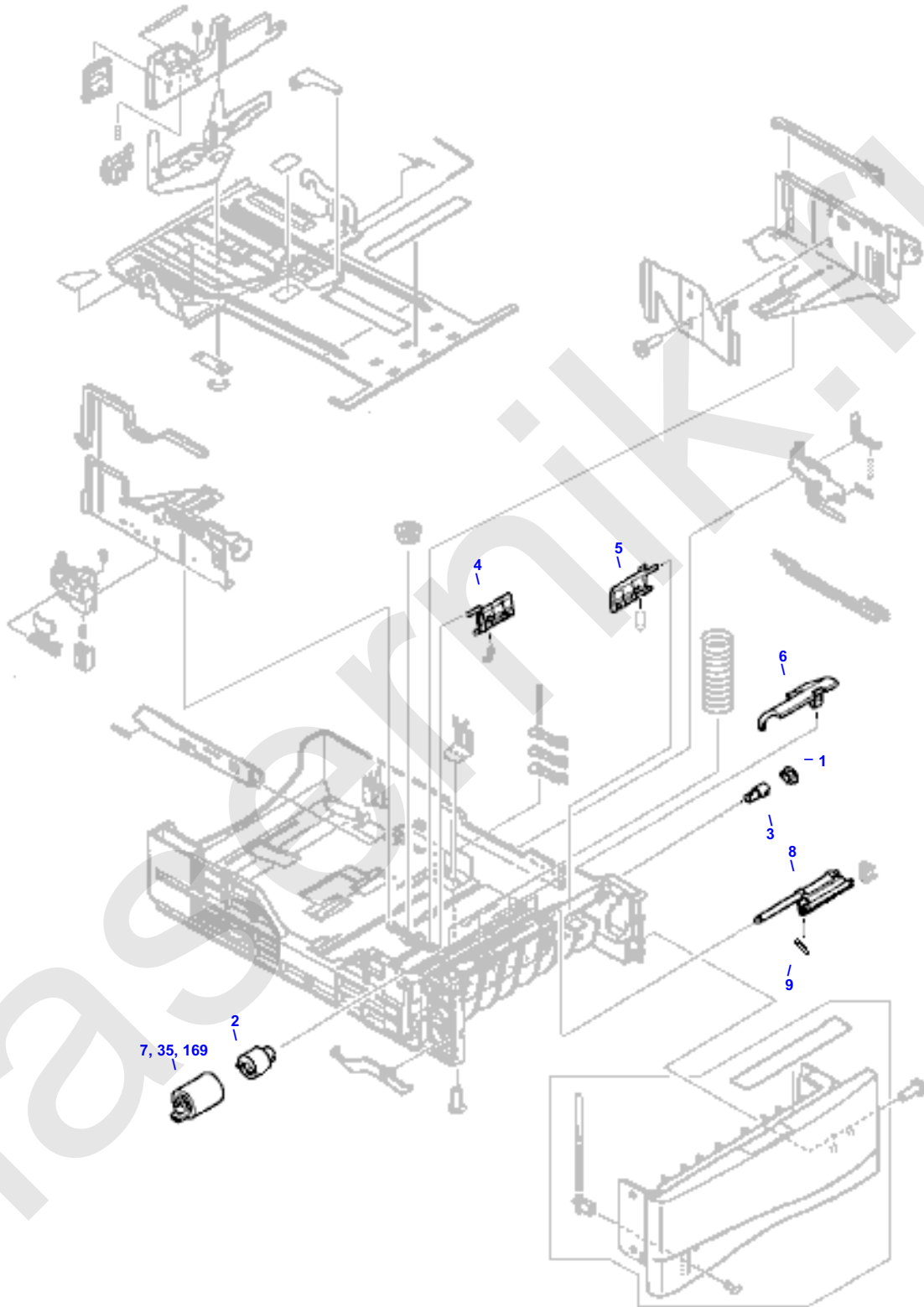
Sensor Mechanism

	RF5-3116-000CN	Tray 1 paper sensor actuator arm and cover assembly
--	----------------	---

Solenoid

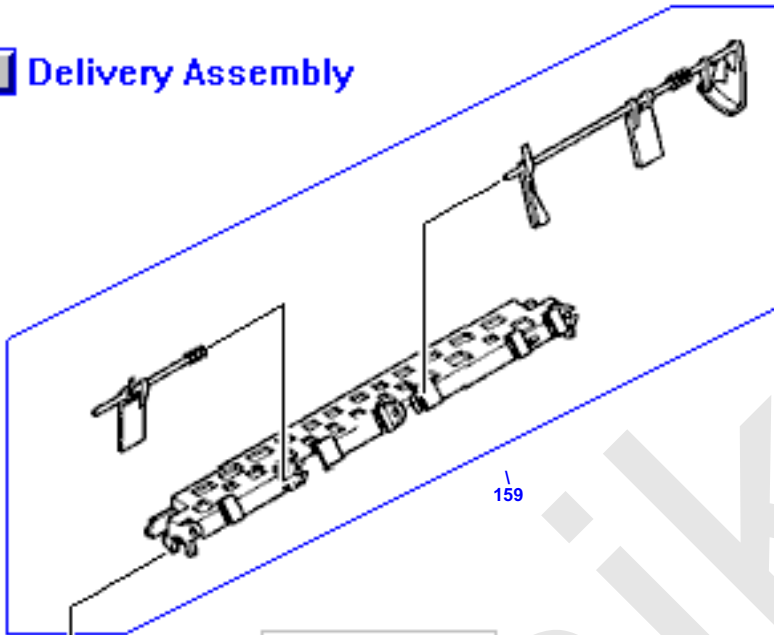
215	RH7-5172-000CN	Tray 1 paper pickup drive solenoid
-----	----------------	------------------------------------

500 Sheet Tray

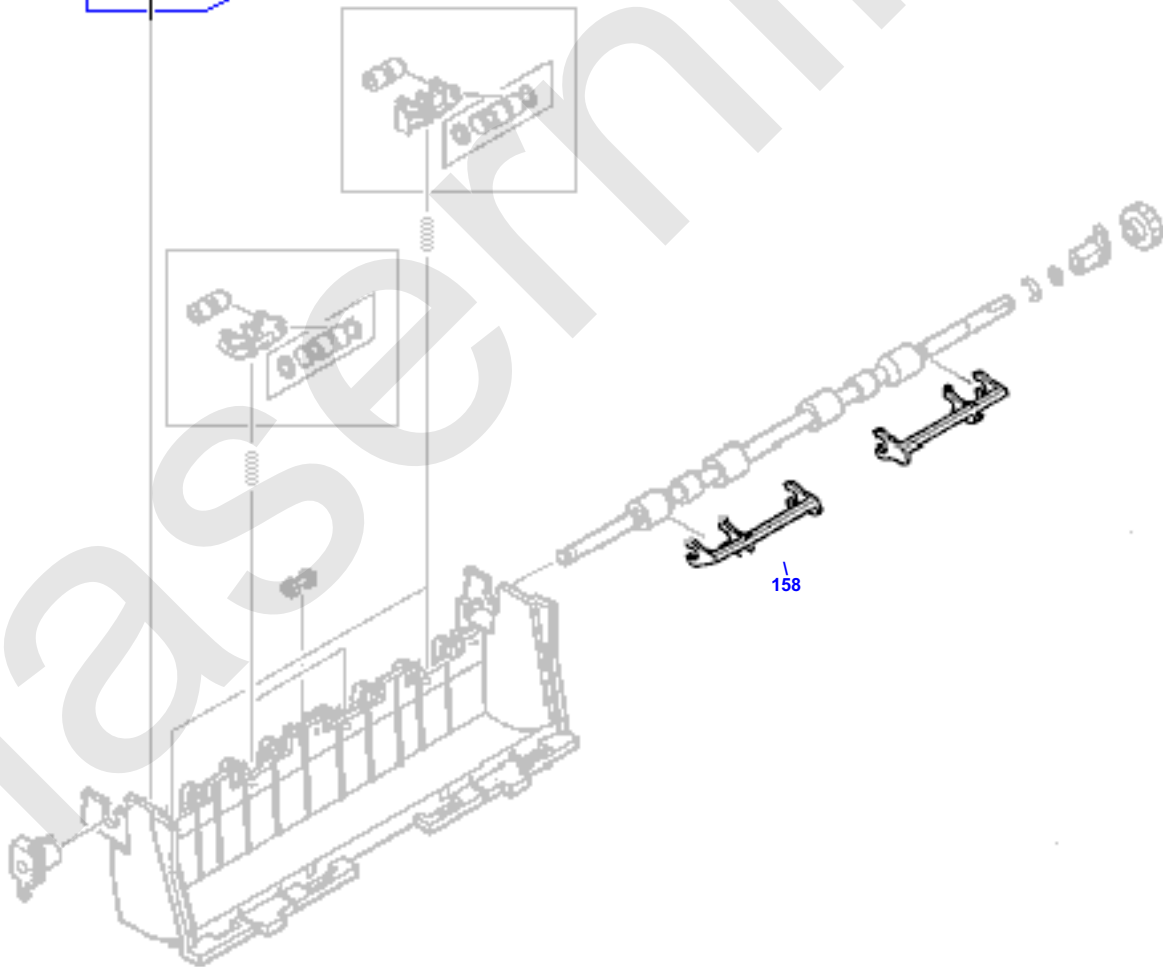


Delivery Assembly

167 -  Delivery Assembly

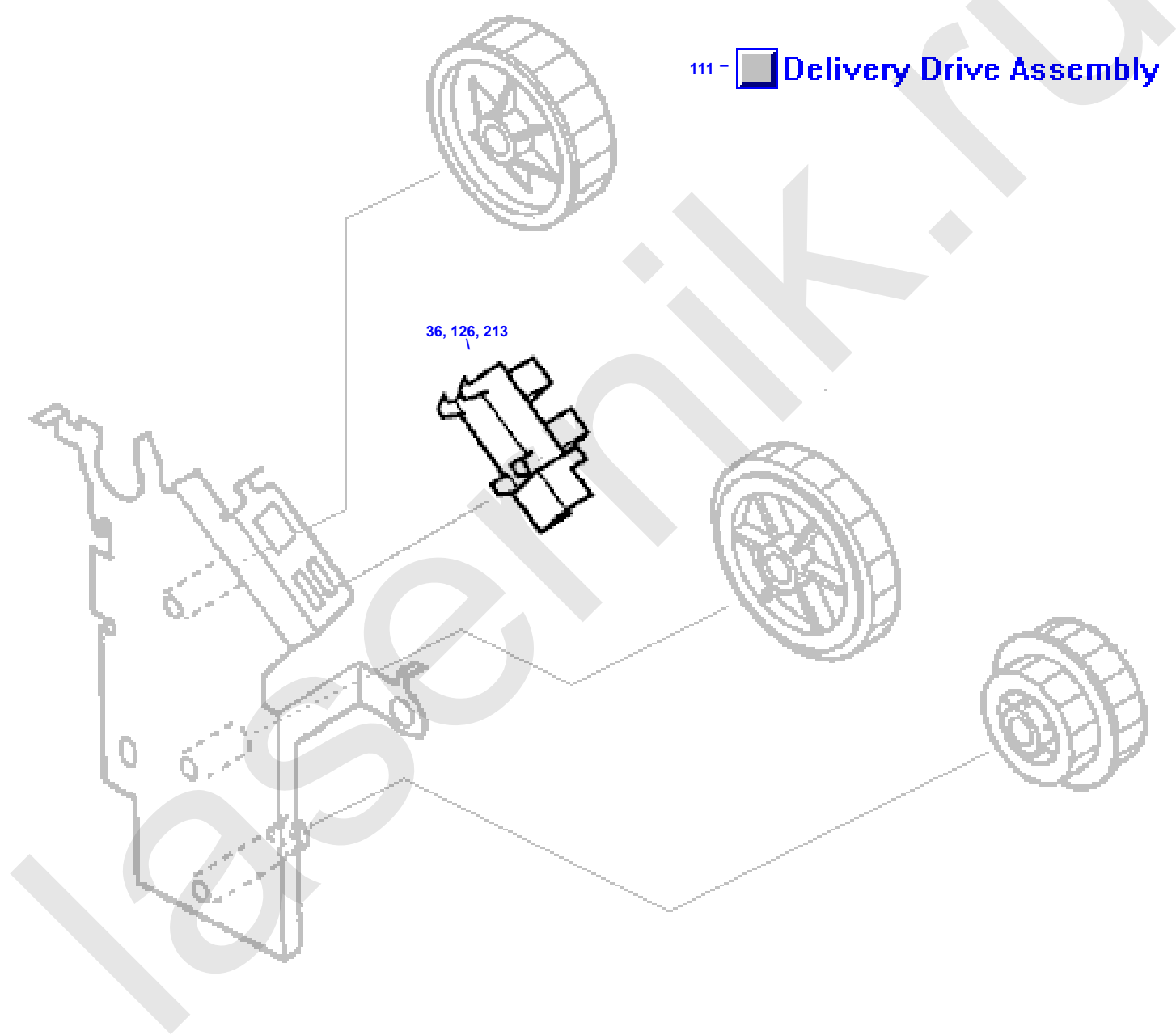


159



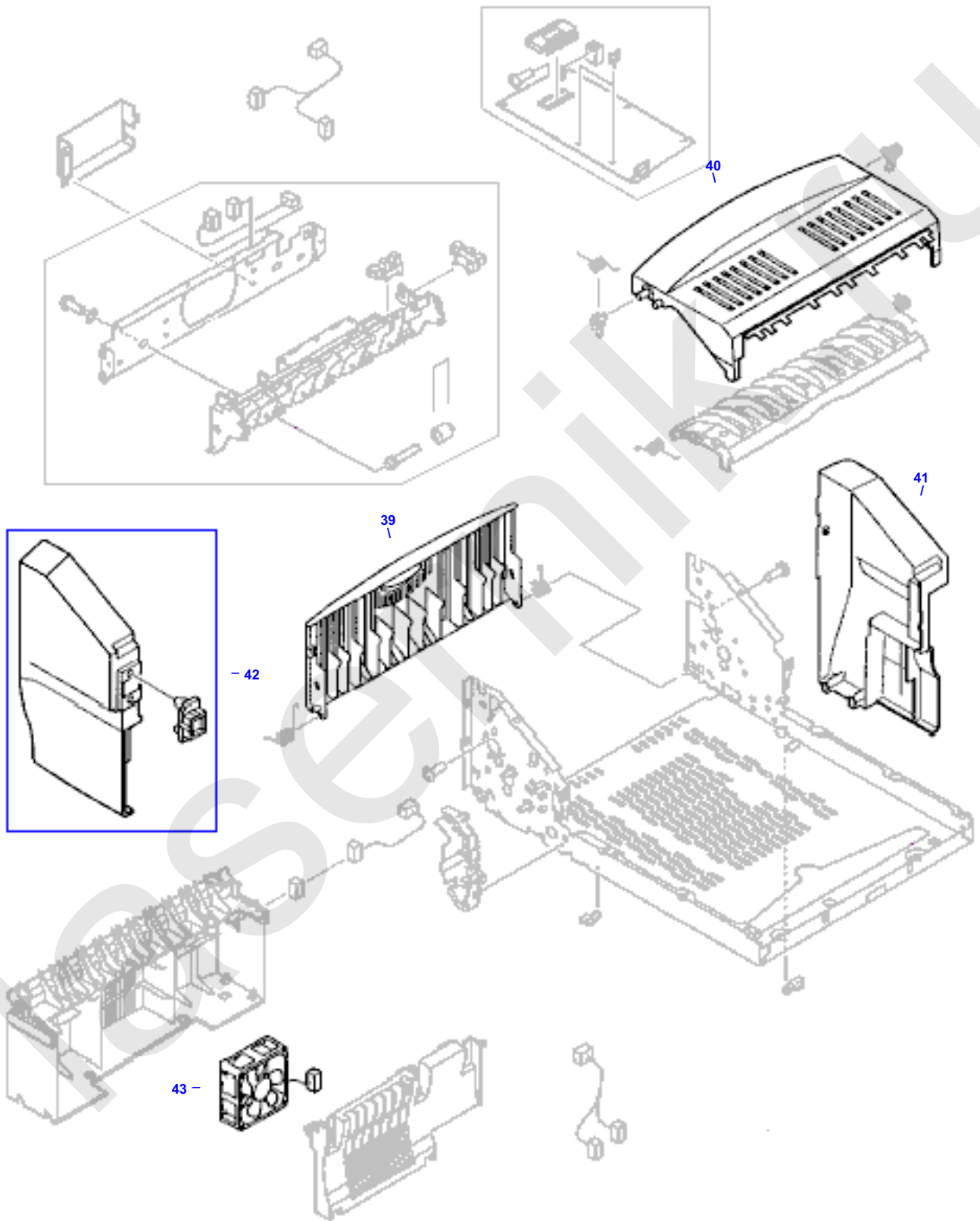
158

Delivery Drive Assembly

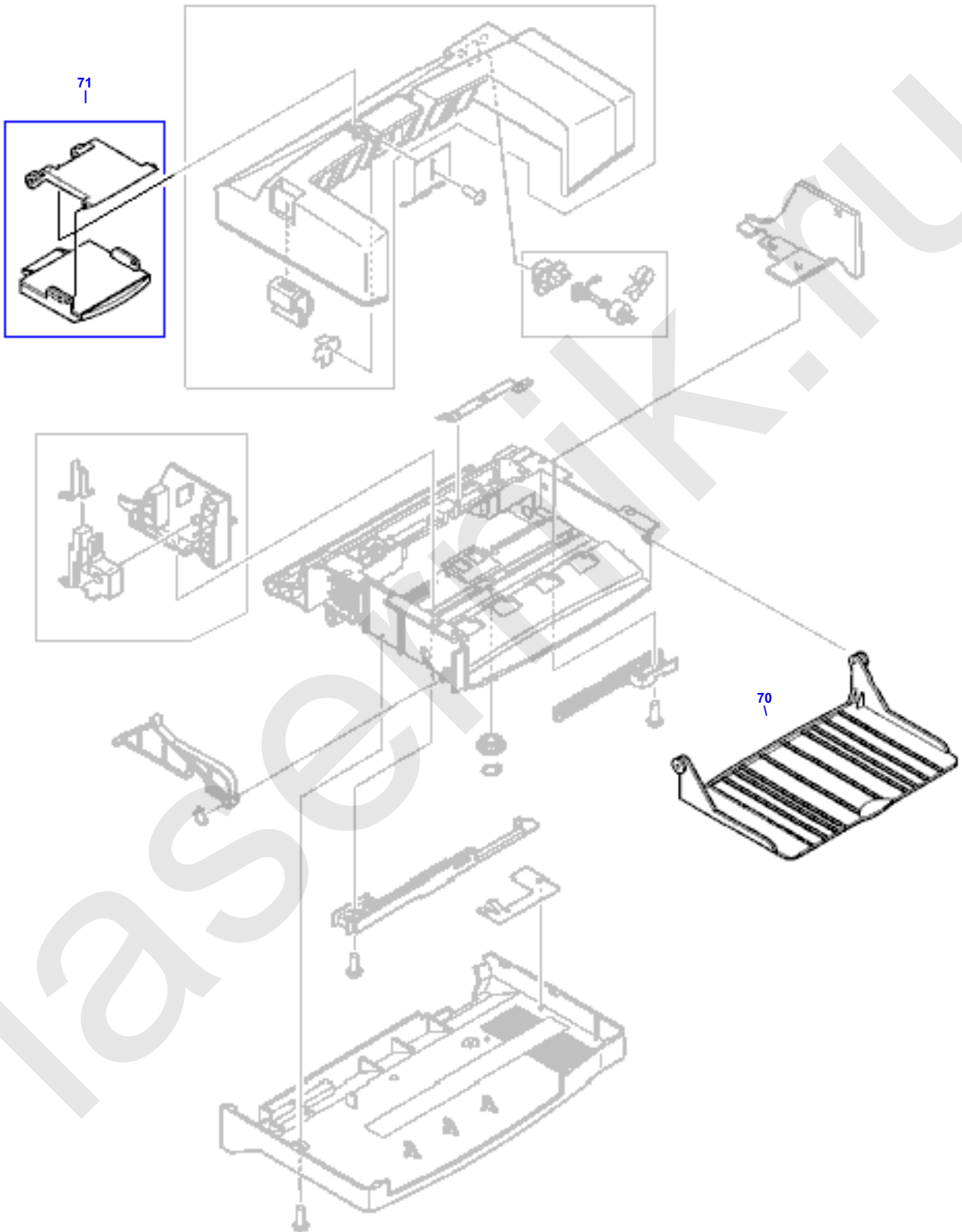


111 -  Delivery Drive Assembly

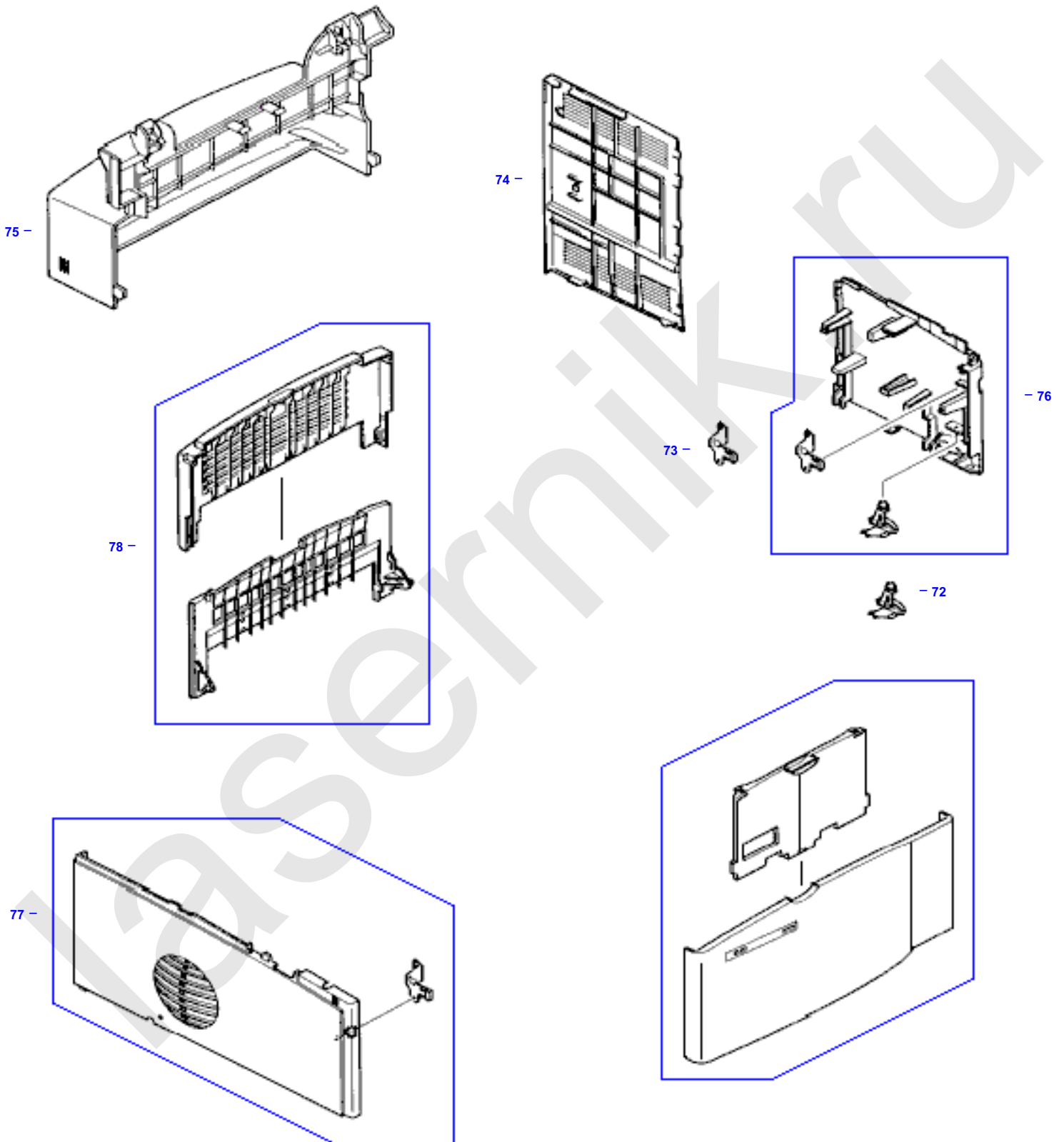
Duplexer



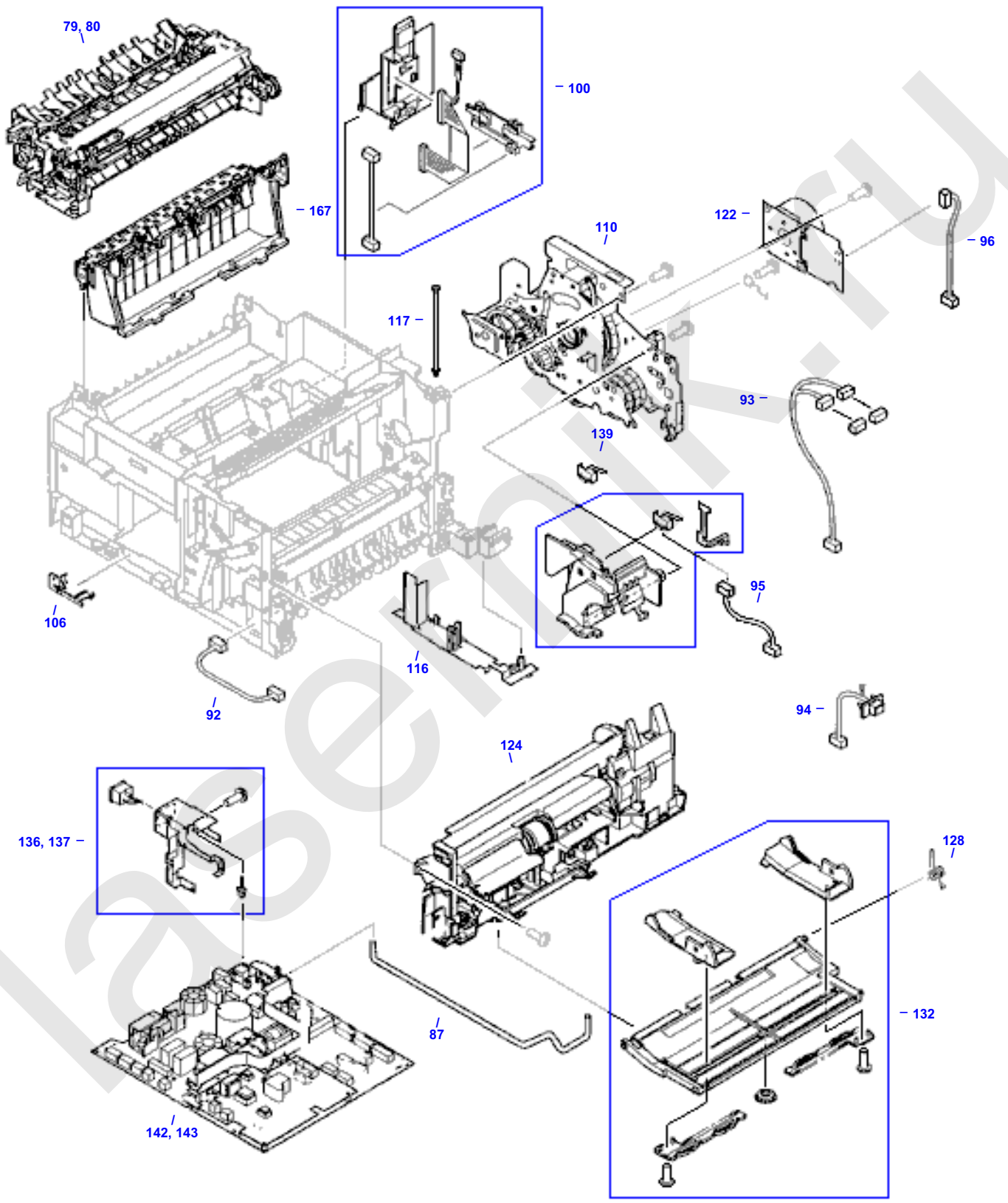
Envelope Feeder



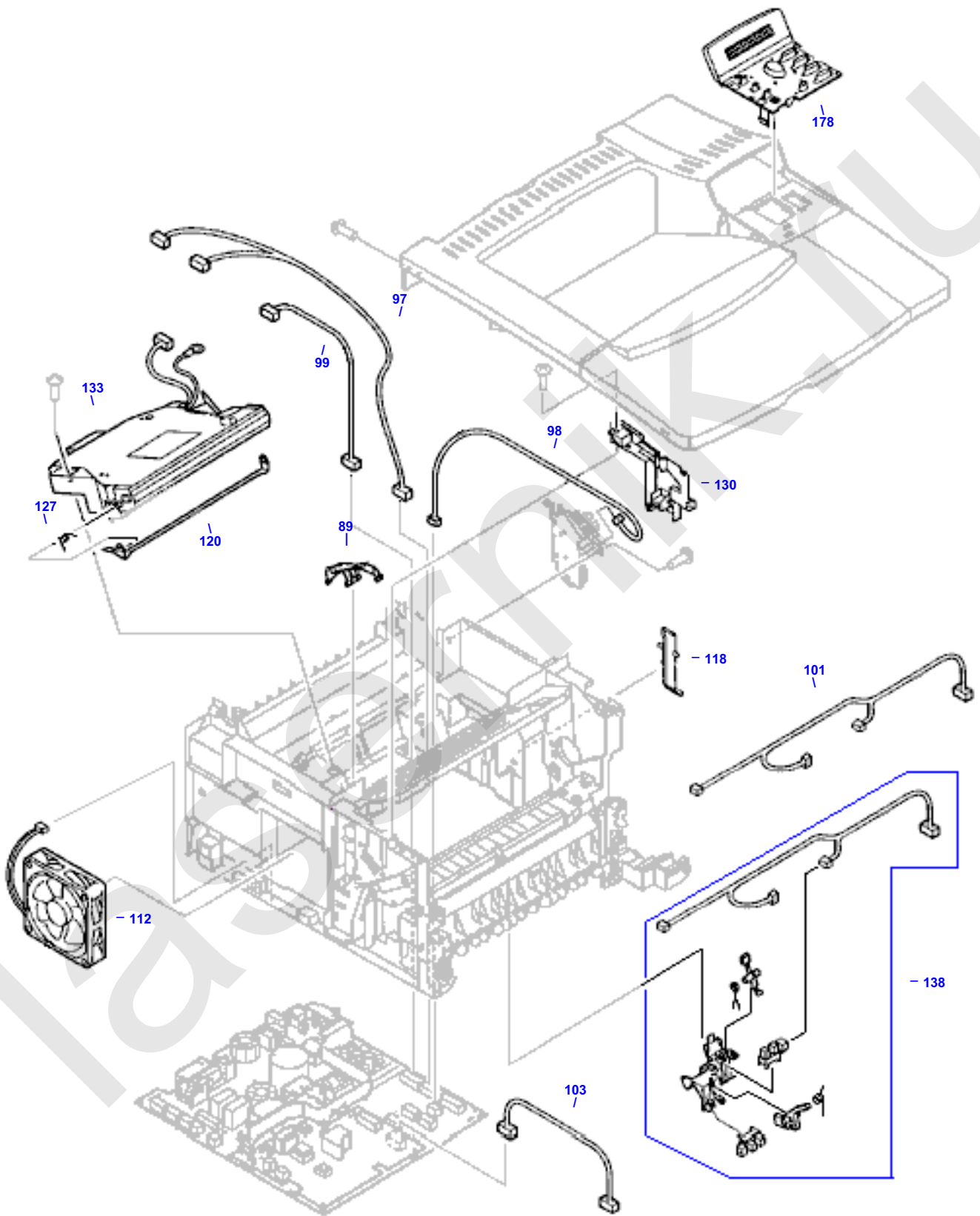
External Covers and Panels



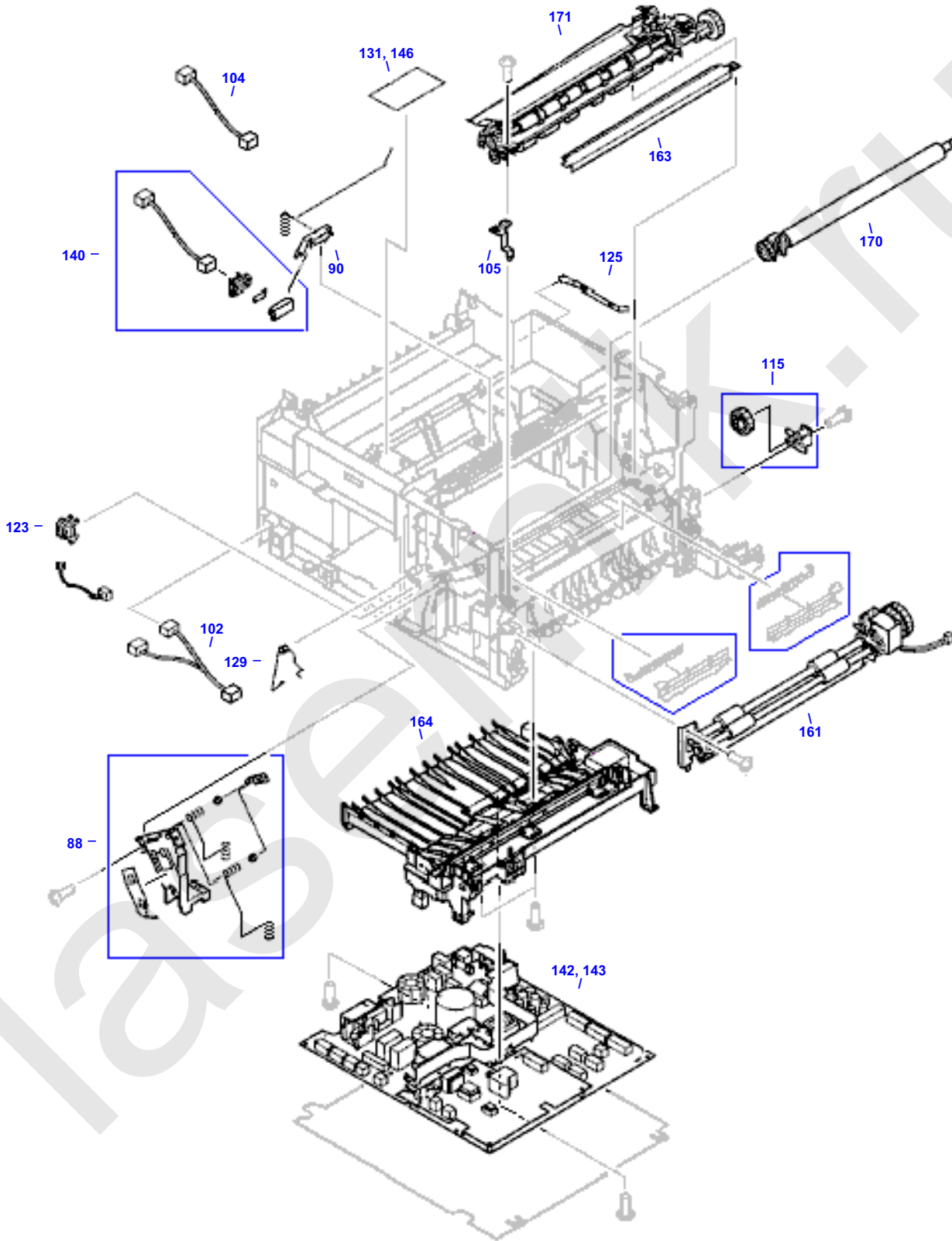
Internal Components (1 of 4)



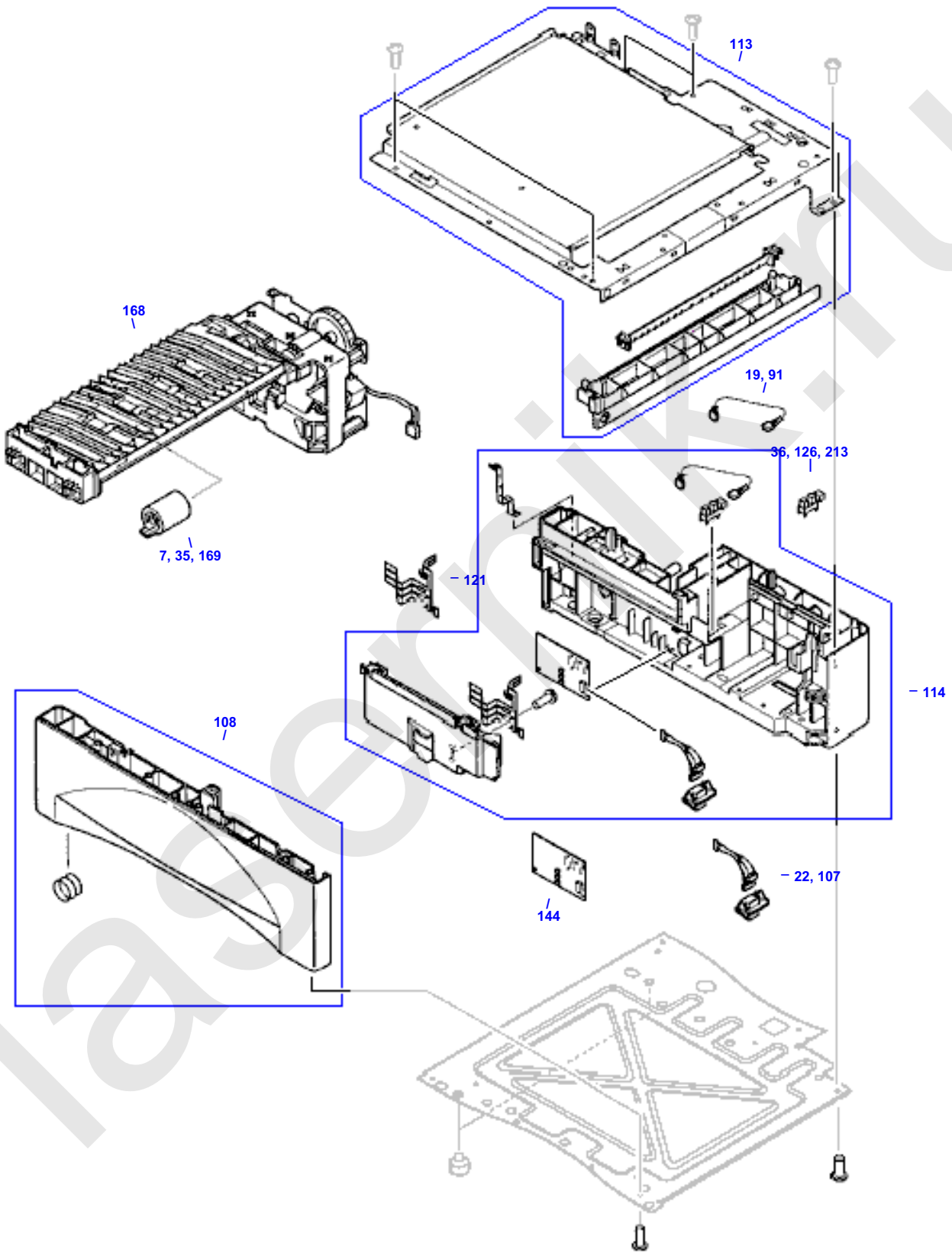
Internal Components (2 of 4)



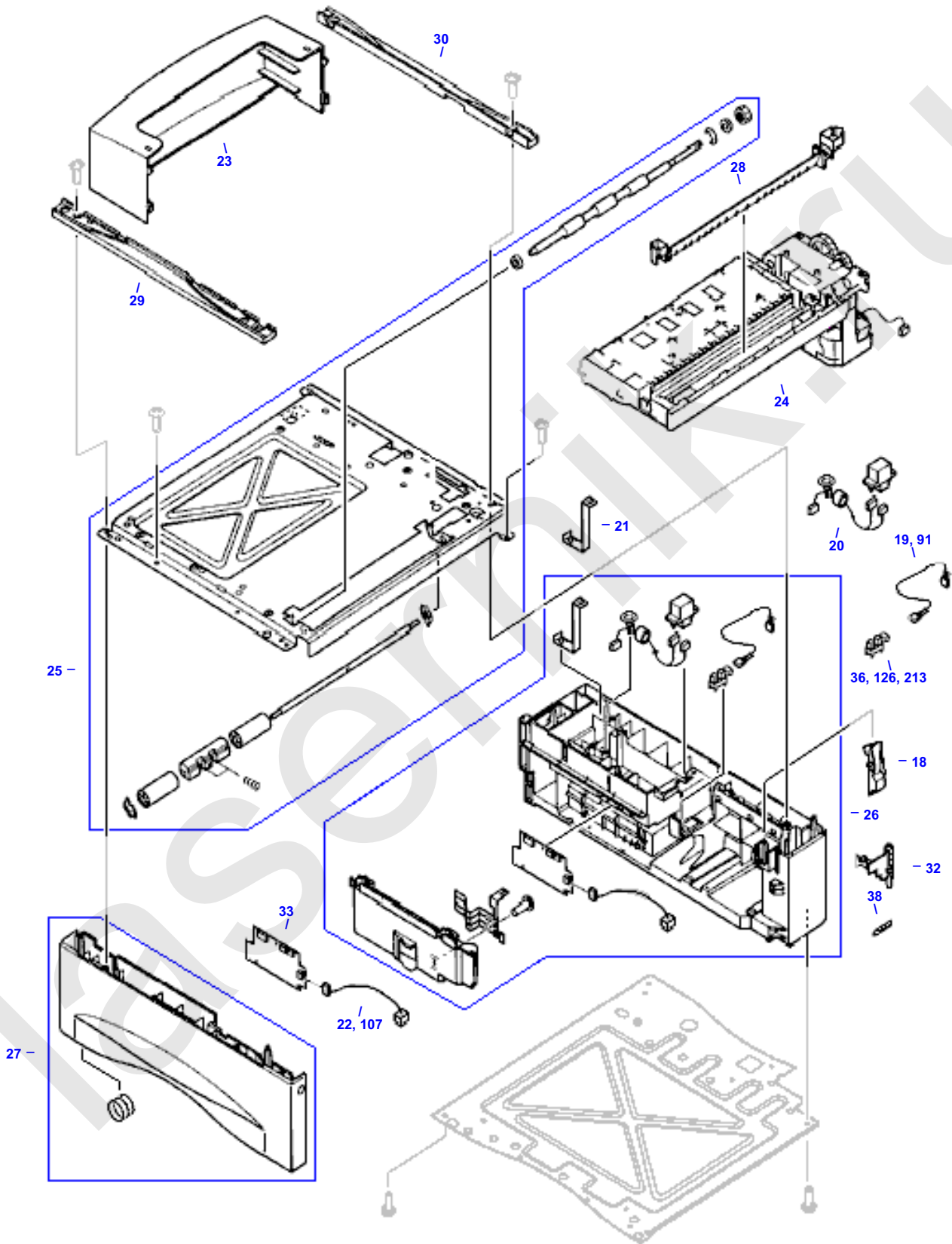
Internal Components (3 of 4)



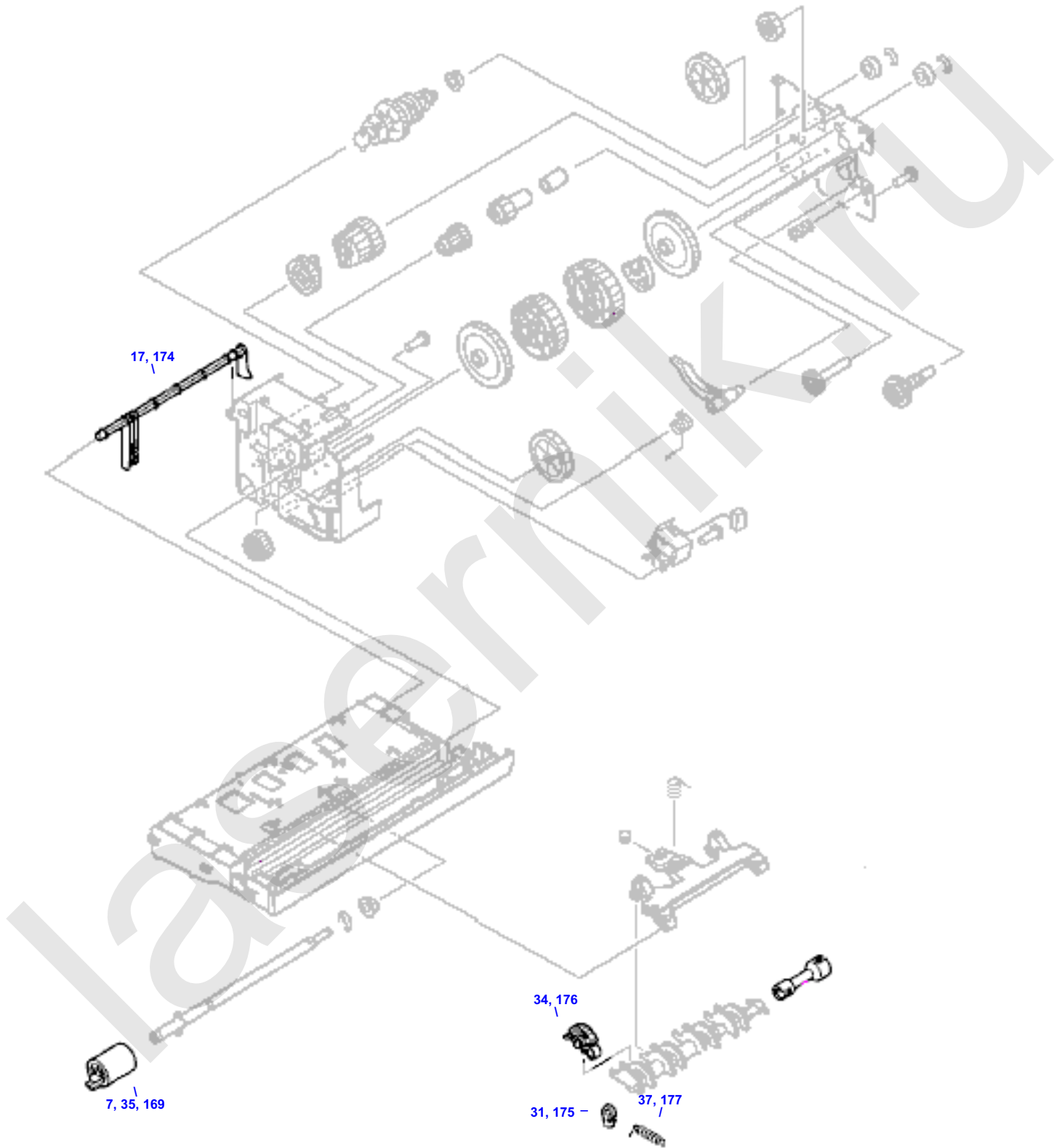
Internal Components (4 of 4)



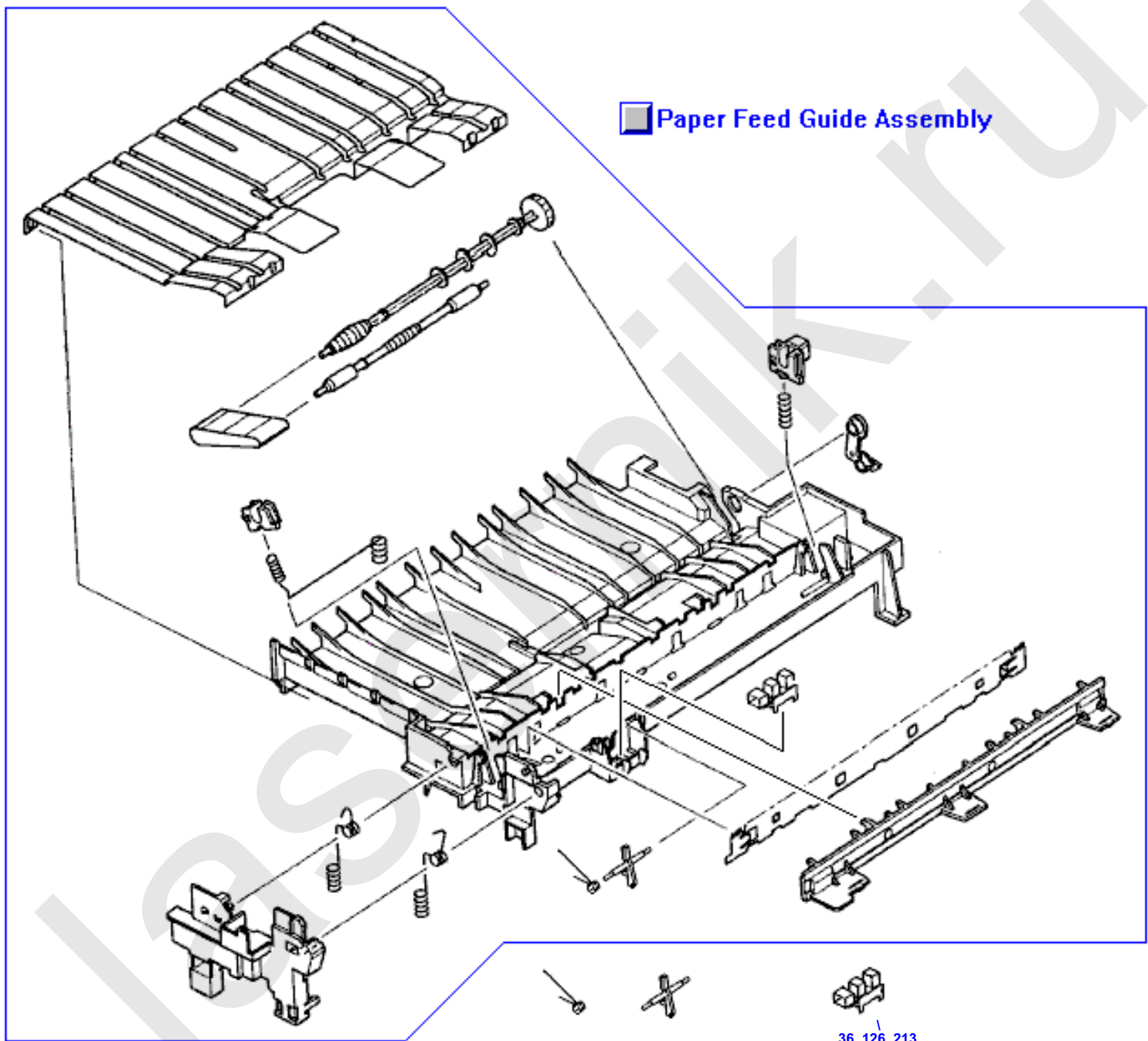
Optional 500 Sheet Feeder



Optional 500 Sheet Pickup Assembly

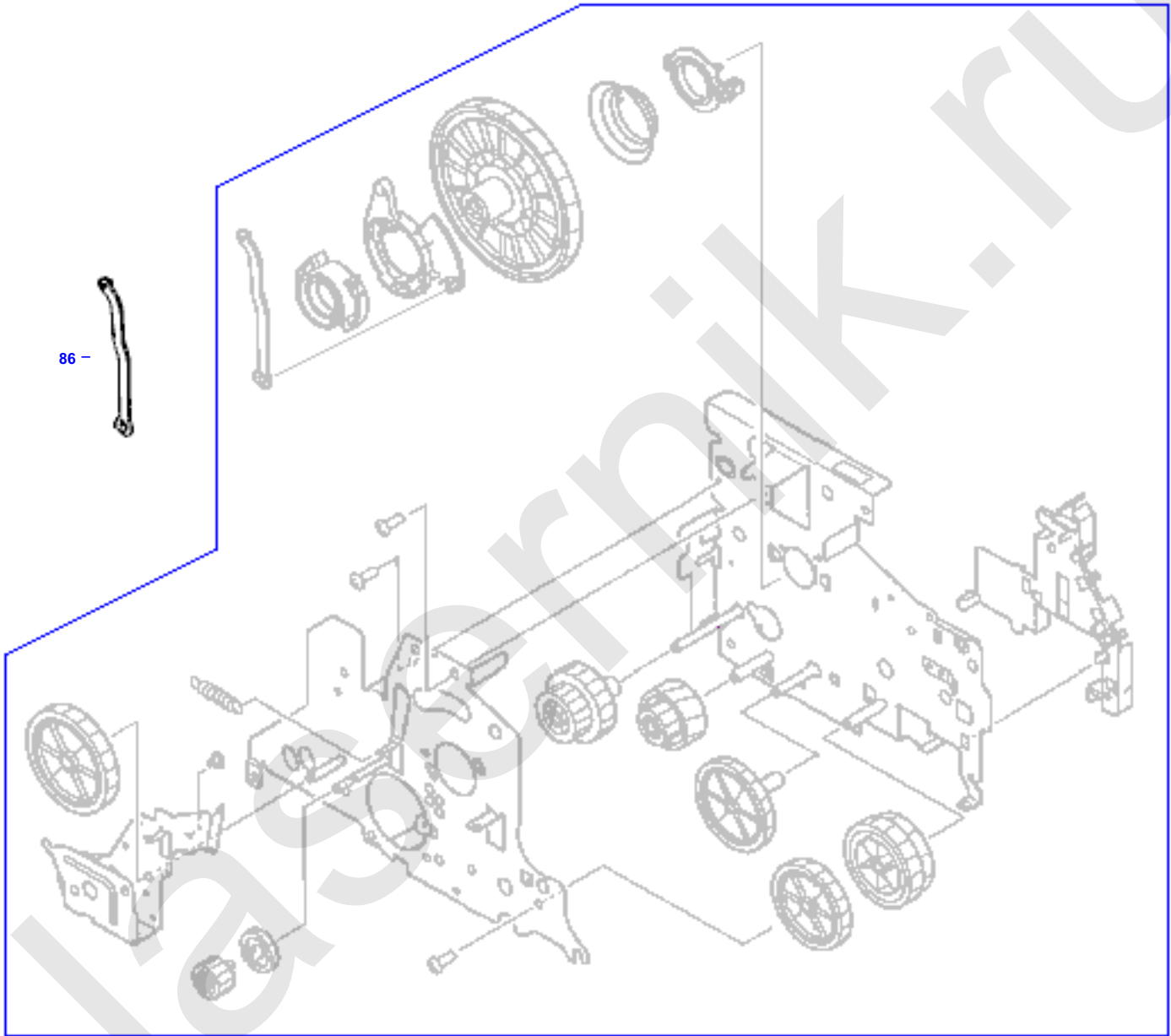


Paper Feed Guide Assembly



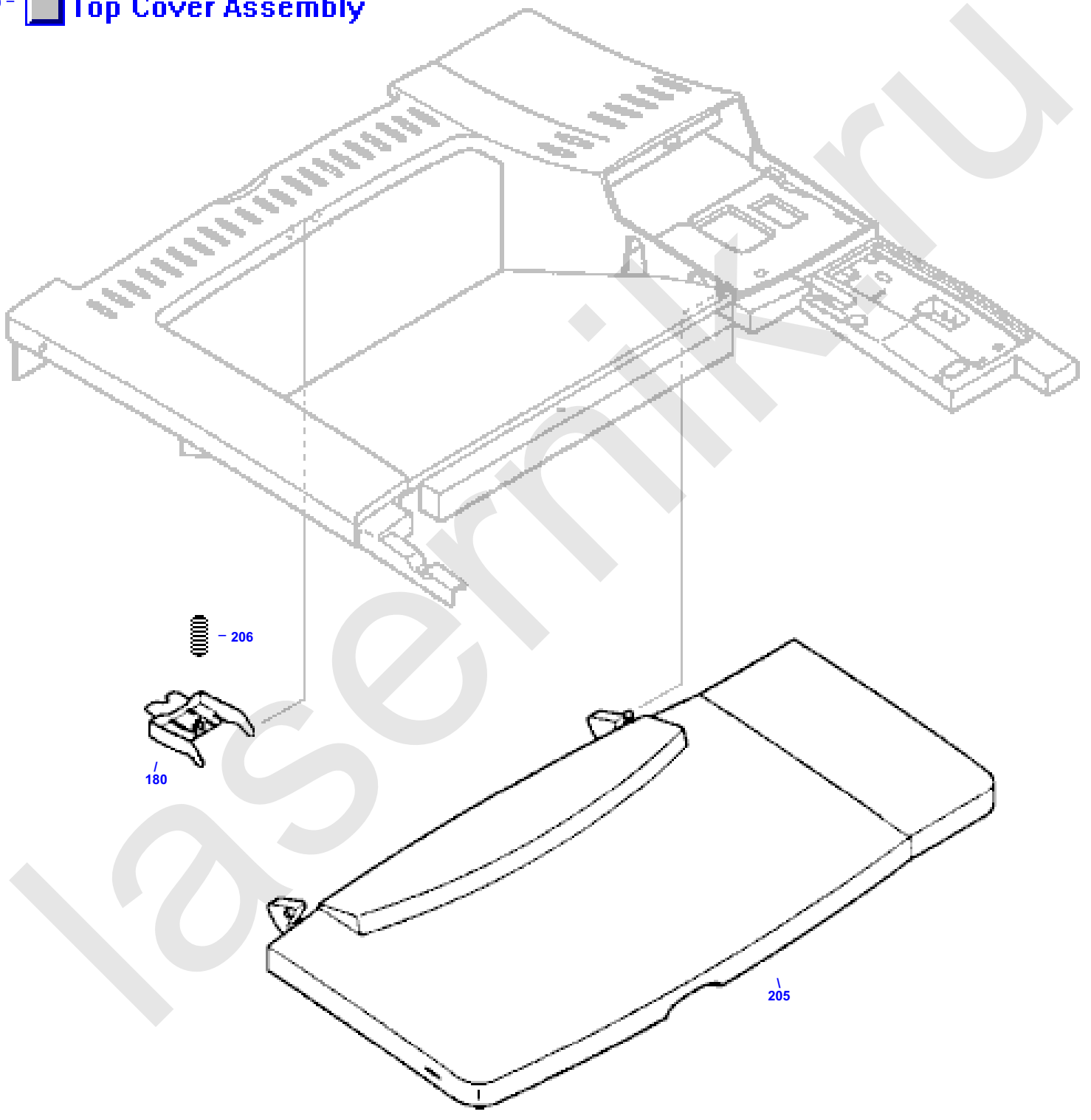
Printer Drive Assembly

110 -  **Printer Drive Assembly**

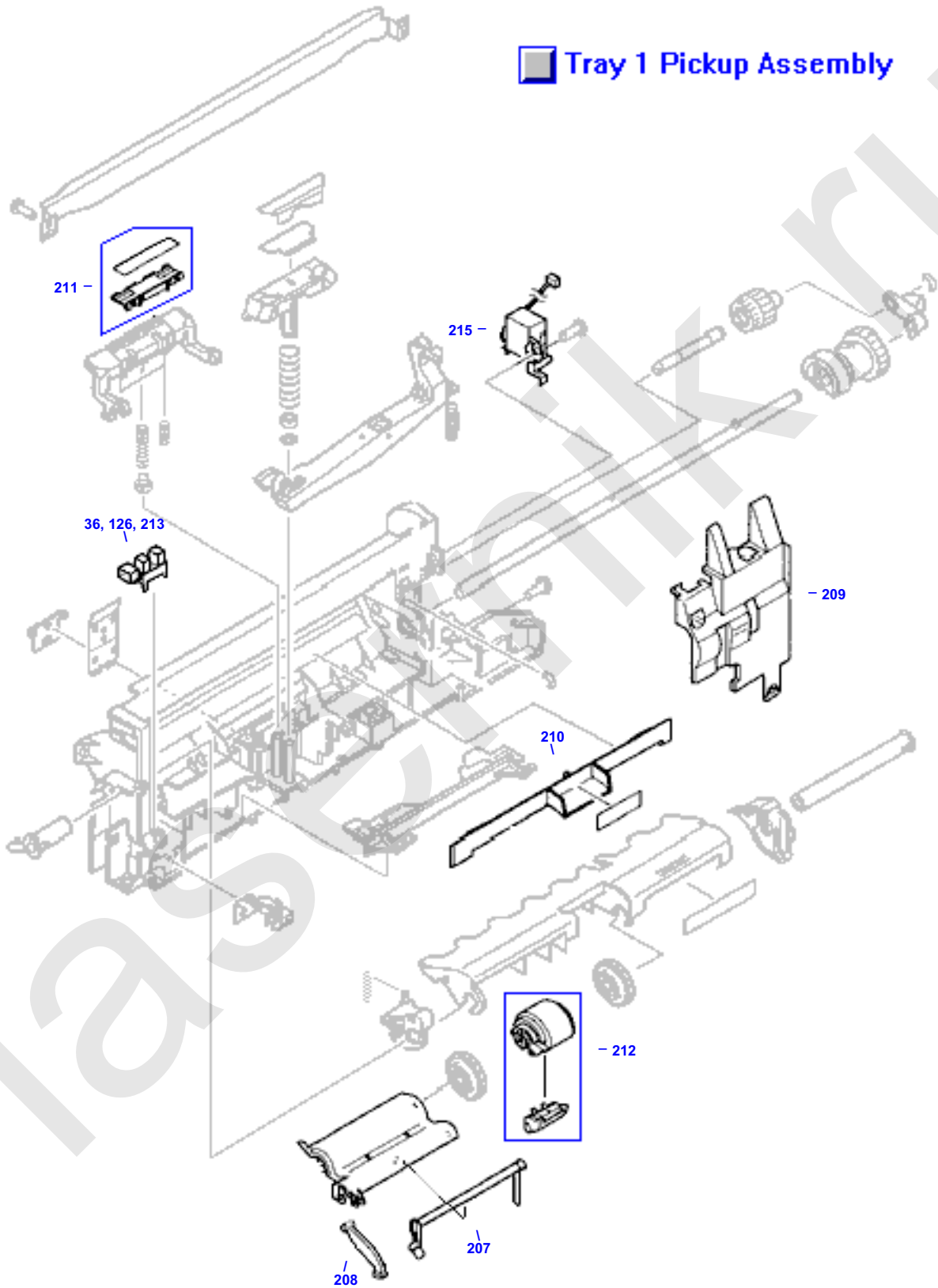


Top Cover Assembly

179 -  Top Cover Assembly

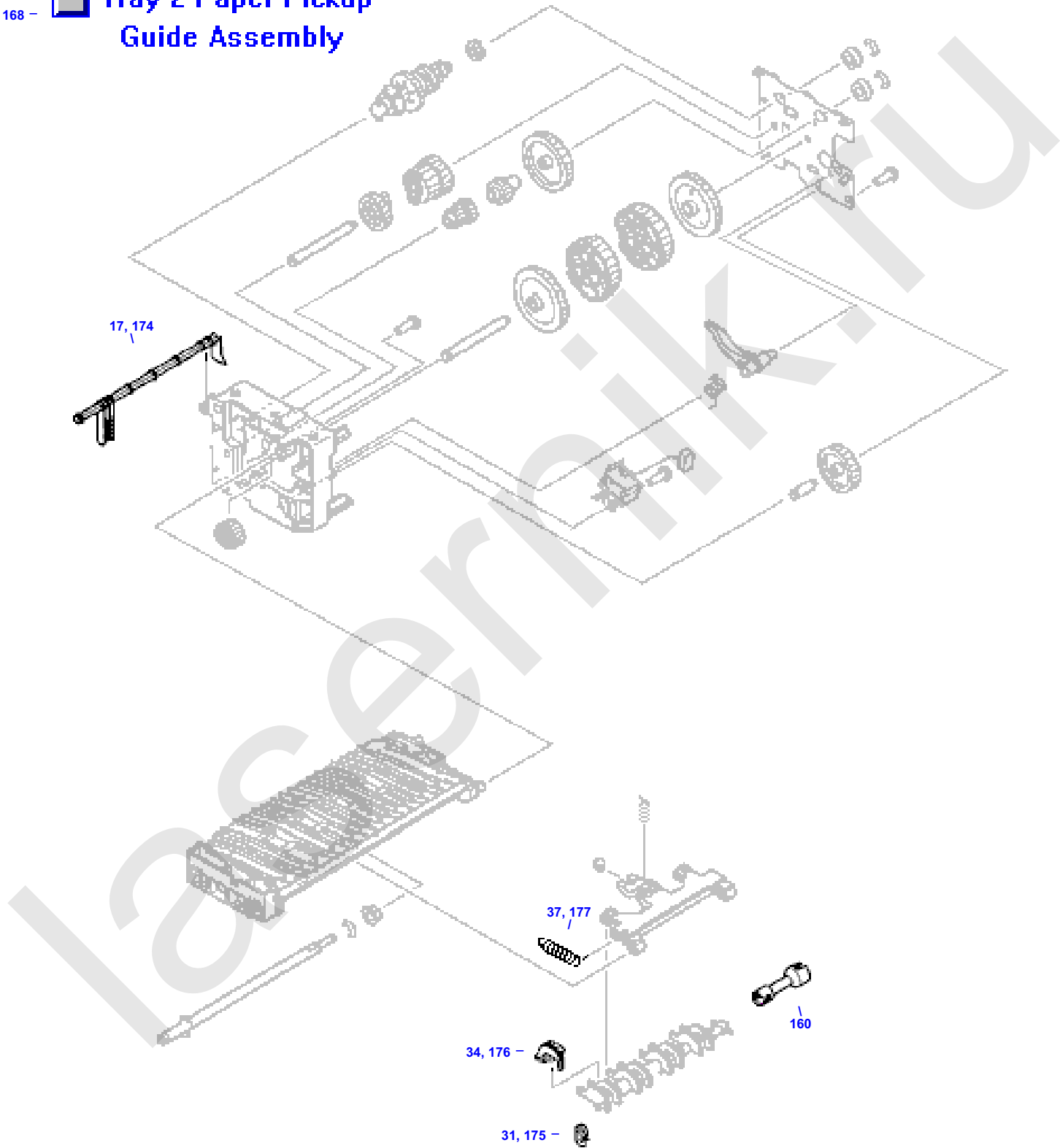


Tray 1 Pickup Assembly



Tray 2 Pickup Assembly

168 -  Tray 2 Paper Pickup
Guide Assembly





HP Parts Reference Guide

<http://www.hp.com/go/parts>

HP PartSurfer

<http://partsurfer.hp.com>

HP Parts Ordering Information

<http://www.hp.com/go/hpparts>

HP Parts Questions/Comments

<http://partsurfer.hp.com/contactus.htm>

laser.nik.ru