

500 Sheet Feeder

Cable

1 RG5-3711-000CN Optical sensor cable

Connector

2 RG5-3712-000CN Lower tray connector and cable

3 VS1-6176-006CN 250/500 sheet feeder connector

Cover

4 RB1-8886-000CN Feeder PC board cover

5 RG5-2668-120CN Right side feeder cover

6 RG5-2669-050CN Feeder cover left side

Foot

7 RB1-8107-000CN Rubber foot

Hardware

8 XA9-0917-000CN Feed module screw - M3 x 16mm

Kit

9 C4251-67906 Paper guide kit

Lever

10 RB1-8887-000CN Tray size sensing lever assembly

PC Board

12 RG5-2673-000CN Feeder controller board - Paper Size detection

Paper Pick-Up

11 RG5-2672-140CN 500 sheet paper pickup drive assembly

Plate

13 RG5-2670-000CN Lower base plate - Bottom plate of 500 sheet feeder

Roller

RB1-8957-000CN Paper pick-up roller - 'D' roller (Sold individually)

Spring

15 RS5-2652-000CN Tray lock spring

500 Sheet Tray

Bushing

16 RB1-8946-000CN Separation roller bushing

Clutch

17 RB1-8974-000CN Separation roller clutch - Torque limiter

Coupler

18 RB1-8945-000CN Separation roller/gear coupler

Gear

19 RB1-8948-000CN Separation roller drive gear

Indicator

20 RB1-9009-000CN Level indicator - Small oval button on front left side of tray - Moves vertically to show amount of paper in tray

Lifter

21 RB1-8961-000CN Arm lifter - White plastic arm that holds top left side metal corner piece up when loading paper in tray

22 RB1-8962-000CN Arm lifter - White plastic arm that holds top right side metal corner piece up when loading paper in tray

Panel

23 RB1-8947-000CN Separation roller access panel



500 Sheet Tray

Roller

24 RF5-1885-000CN Feed/separation roller - Roller is gray with blue tab protruding out one side

Spindle

25 RF5-2489-000CN Separation roller mounting assembly

Spring

26 RS5-2622-020CN Separation roller tension spring

Stop

27 RF5-2760-000CN Paper stop for 500 sheet tray

Tray

28 C4125-67901 500 sheet universal paper tray assembly - This is ONLY the tray that holds the paper, NOT the Optional Feeder Assembly (C4124A) that the Printer Sits on - Holds A5 to Legal Size Paper - Replaces C3122A Tray

C4124A 500 Sheet Feeder

Bearing

29 RS5-1179-000CN Transport roller bearing

Bushing

30 RB1-8946-000CN Separation roller bushing

Cable

31 RG5-3822-000CN Paper feeder cable

Clip

32 XD2-1100-502CN E-ring clip - For the transport roller

Connector

33 VS1-6174-006CN Feed drive assembly connector

Coupler

34 RB1-8945-000CN Separation roller/gear coupler

Drive Assembly

35 RG5-2690-000CN Optional 500 sheet paper pickup drive assembly

Frame

36 RG5-2687-000CN Right side frame assembly

37 RG5-2688-000CN Left side frame assembly

Gear

38 RB1-8948-000CN Separation roller drive gear

Guide

39 RB1-8924-000CN Optional lower cassette support guide

Indicator

40 RB1-9009-000CN Level indicator - Small oval button on front left side of tray - Moves vertically to show amount of paper in tray

Lifter

41 RB1-8961-000CN Arm lifter - White plastic arm that holds top left side metal corner piece up when loading paper in tray

42 RB1-8962-000CN Arm lifter - White plastic arm that holds top right side metal corner piece up when loading paper in tray

PC Board

43 RG5-3821-000CN Lower tray logic PCA - With tray size switches

Plate

44 RB1-9371-000CN Adjustable paper length stop plate

**C4124A 500 Sheet Feeder****Plunger**

45 RB1-8928-000CN Tray identifier plunger - Identifies tray number installed

Roller

46 RF5-1885-000CN Feed/separation roller - Roller is gray with blue tab protruding out one side

Spindle

47 RF5-2489-000CN Separation roller mounting assembly

Spring

48 RB1-8927-000CN Left side frame leaf spring

49 RS5-2967-000CN Compression spring for tray identifier plunger

50 RS5-2981-000CN Paper stop spring - Provides tension for tray plate stop

Stop

51 RB1-9374-000CN Tray paper stop - Locks paper length plate in slot

Tray

52 C4125-67901 500 sheet universal paper tray assembly - This is ONLY the tray that holds the paper, NOT the Optional Feeder Assembly (C4124A) that the Printer Sits on - Holds A5 to Legal Size Paper - Replaces C3122A Tray

Drive Parts**Drive**

C2985-61021 20GB hard drive (LaserJet) - LaserJet EIO font/print job storage - Used as replacement for 2.1GB and 3.2GB drives when used in a LaserJet

Duplexer Components**Cover**

54 RB1-9044-000CN Top cover - Duplexer access top cover

55 RB1-9045-000CN Duplexer rear cover panel

56 RB1-9047-000CN Right side duplexer cover

57 RF5-1876-000CN Left side duplexer cover - With connector

Duplexer

58 C4123-69001 Duplexer assembly

Fan

59 RH7-1361-000CN Duplexer fan - 24VDC

Electronic Accessories**Adapter**

C2809A Serial cable adapter - 9-pin male to 25-pin female

Cable (Interface)

5063-1256 IEEE-1284 Bi-Tronics parallel cable - DB-25 (M) connector (type A) to 36 pin Centronics (M) connector (type B) - 2.0m (6.6ft) long

5063-1257 IEEE-1284 Bi-Tronics parallel cable - DB-25 (M) connector (type A) to 36 pin Centronics (M) connector (type B) - 3.0m (9.8ft) long

92215N Interface cable kit - For HP peripherals designed for use in an AppleTalk/Phonenet network - Not for Macintosh models that have recessed I/O connectors

C2932A RS-232C serial cable - 9 pin (M) to 9 pin (F) - 3.0m (9.8ft) long
NO LONGER SUPPLIED

C2933A RS-232C serial cable - 9 pin (M) to 25 pin (F) - 3.0m (9.8ft) long
NO LONGER SUPPLIED

C2950A IEEE-1284 Bi-Tronics parallel cable - DB-25 (M) connector (type A) to 36 pin Centronics (M) connector (type B) - 2.0m (6.6ft) long

5063-1256 *New Part for C2950A*

C2951A IEEE-1284 Bi-Tronics parallel cable - DB-25 (M) connector (type A) to 36 pin Centronics (M) connector (type B) - 3.0m (9.8ft) long

**Electronic Accessories****Cable (Interface)**

C2990A	IEEE-1284 Bi-Tronics parallel cable - DB-25 (M) (type A) to 36 pin (M) Centronics (type B) - 1.8m (6ft) long NO LONGER SUPPLIED
C2991A	IEEE-1284 Bi-Tronics parallel cable - DB-25 (M) (type A) to 36 pin (M) Centronics (type B) - 3.0m (10ft) long NO LONGER SUPPLIED

Duplexer

C4123A	Duplexer assembly - For 2 sided printing
--------	--

Envelope Feeder

C4122A	Power envelope feeder - Holds 75 envelopes
--------	--

Interface (Product)

J6057A	JetDirect 615N internal print server (10Base-T and 100Base-TX) LAN interface board - Plugs into peripheral EIO slot - Has a RJ-45 connector - Comes with software on CD-ROM and manual
J6057AR	JetDirect 615N internal print server (10Base-T and 100Base-TX) LAN interface board - Plugs into peripheral EIO slot - Has a RJ-45 connector - Comes with software on CD-ROM and manual

Memory (Product)

C4135A	4MB, 100-pin, 32-bit, 60nS, EDO DRAM DIMM memory module
C4136A	8MB, 100-pin, 32-bit, 60nS, EDO DRAM DIMM memory module
C4137A	16MB, 100-pin, 32-bit, 60nS, EDO DRAM DIMM memory module
C4140A	4MB, 100-pin SDRAM DIMM memory module NO LONGER SUPPLIED
C7842A	<i>New Part for C4140A</i>
C4286A	2MB flash DIMM memory - Font storage device
C4292A	8MB Traditional Chinese MROM DIMM - For LaserJet 4000 and 5100 series printers
C4293A	8MB Simplified Chinese MROM DIMM - For LaserJet 4000 and 5100 series printers
C7842A	8MB, 100-pin SDRAM DIMM memory module
C7843A	16MB, 100-pin SDRAM DIMM memory module
C7845A	32MB, 100-pin SDRAM DIMM memory module

PC Board (Interface)

J3111-69001	JetDirect 600N EIO internal print server 10Base-T, 10BASE-2, and LocalTalk LAN interface board - Has one RJ-45, BNC, and 8-pin DIN connector - (J3111A) - NOTE: EIO interface boards are NOT interchangeable with MIO boards REQUIRES RETURN OF DEFECTIVE PART
J3111-61001	<i>New Part for J3111-69001</i>

Envelope Feeder**Envelope Feeder**

85	C4122-69001	Envelope feeder assembly
	C8053-69002	<i>New Part for C4122-69001</i>

Mount

86	RF5-2798-000CN	Envelope mount - Pivotal holder for envelope weight
----	----------------	---

Tray

87	RB1-9088-000CN	Envelope feeder input tray
----	----------------	----------------------------

Weight

88	RF5-2511-000CN	Envelope weight
----	----------------	-----------------

External Case Parts**Button**

89	RB1-8849-030CN	Power switch button
----	----------------	---------------------

**External Case Parts****Clip**

- 90 RB1-8848-000CN Left side panel retainer clip
- 91 RB1-8860-000CN Right side panel retainer clip

Cover

- 5021-0349 EIO slot cover
- 93 RB1-8858-000CN Formatter board cover panel
- 94 RG5-2664-070CN Right front cover assembly
- 95 RG5-2665-000CN Left side cover assembly - Includes panel retainer clip

Door Kit

- 96 C4118-67907 Tray 1 door assembly kit - New style pull-out tray with extension and new spring - Includes instructions

Panel

- 97 RB2-2400-000CN Left duplex access panel
- 98 RB2-2401-000CN Right duplex access panel

Tray

- 99 RB1-8843-000CN Rear output tray
- 100 RB1-8844-000CN Rear output tray pull-out extension

Fusing Assembly**Cover**

- 101 RB1-8805-000CN Rear fuser cover panel

Fusing Assembly

- 102 C4118-69011 Fusing assembly - 110 volts
REQUIRES RETURN OF DEFECTIVE PART
RG5-2661-490CN New Part for C4118-69011
- 103 C4118-69012 Fusing assembly - 220 volts
REQUIRES RETURN OF DEFECTIVE PART
RG5-2662-500CN New Part for C4118-69012

Heating Roller

- 104 RG5-4290-000CN Fusing roller - Heating element and film sleeve - 110V
- 105 RG5-4291-000CN Fusing roller - Heating element and film sleeve - 220V

Roller

- 106 RB9-0684-000CN Fusing assembly pressure roller

Interface Board Parts**PC Board (Interface)**

- J3110-69001 JetDirect 600N EIO internal print server 10Base-T LAN interface board - Has one RJ-45 connector - (J3110A) - NOTE:
EIO Interface Boards are NOT Interchangeable with MIO Boards
- J6057-69001 New Part for J3110-69001*

Internal Components**Actuator**

- 108 RB1-8851-000CN Power switch actuator rod

Arm

- 109 RB1-8700-000CN Laser shutter arm

Button

- 110 RB1-8688-000CN Engine test button - Manual test button

Internal Components**Cover**

111 RB1-8706-000CN Main cooling fan cover

Drive Assembly

112 RG5-2653-020CN Print drive gear assembly

113 RG5-3721-000CN Delivery drive assembly

Fan

114 RH7-1334-000CN Main cooling fan

Gear

115 RS5-0911-000CN Coupler gear

Guide

116 RB1-8704-030CN Bottom cable guide

117 RB1-8862-000CN Formatter/control panel cable guide

Hardware

RB1-8703-000CN Module attachment screw - Long screw with shoulder at bottom

Holder

119 RB1-8689-000CN Cable holder

120 RB1-8690-000CN Toner cartridge sensing spring retainer

Motor

121 RH7-1331-000CN Main motor assembly

Paper Output Unit

122 RG5-2648-110CN Paper delivery assembly

Paper Pick-Up

123 RG5-2655-360CN Tray 1 paper pickup assembly

Plate

RB2-2405-000CN Control panel ground plate

125 RF5-1867-000CN Pre-transfer ground plate assembly

126 RF5-2496-000CN Coupler gear mounting plate

Sensor

127 WG8-5362-000CN Optical sensor

Spring

128 RB1-8693-000CN Toner cartridge drum ground spring

129 RB1-8695-000CN Toner cartridge sensing spring

130 RB1-8702-000CN Laser shutter spring - Provides tension for laser shutter

131 RB1-8827-000CN Leaf spring

Strap

132 RB1-8694-000CN Interlock switch support ground strap

133 RB1-8708-000CN Gear plate ground strap

RB1-8747-000CN Registration assembly ground plate

Support

RB1-8671-000CN Left side top cover support

136 RG5-2645-000CN Right side top cover support assembly

Tray

137 RG5-2656-080CN Paper input tray (Tray 1) - Multi-Purpose tray assembly

LaserJet Electronics**Cable**

138	RG5-3700-000CN	Cable assembly - 3 pin (F) connectors on each end - 10.0cm (3.9 inches) long
139	RG5-3703-000CN	Cable assembly - Large 6 pin (F) connector to both a 6.5cm (2.6 inch) grounding cable with a ring terminal and a 39.4cm (15.5 inch) cable with a small 6 pin (F) connector
140	RG5-3704-000CN	Envelope feeder connector and cable
141	RG5-3705-000CN	Cable assembly - A 6 pin (F) connector to both a 21.3cm (8.4 inch) cable with a 3 pin (F) connector and a 27.2cm (10.7 inch) cable with a 3 pin (F) connector
142	RG5-3706-000CN	Feed/registration sensor assembly cable
143	RG5-3708-000CN	Cable assembly - A 38 pin (F) connector to a 14cm (5.5 inch) ribbon cable with a 26 pin (F) connector, a 20cm (7.9 inch) ribbon cable with a 10 pin (F) connector, and a 34.6cm (13.6 inch) 2 wire cable with a 2 pin (F) connector
144	RG5-3709-000CN	Main motor cable
145	RG5-3710-000CN	Paper feeder module cable
146	RG5-3876-000CN	Cable assembly with ferrite - A 13 pin (F) connector, a 6 pin (F) connector, a 4 pin (F) connector, and three 3 pin (F) connectors - 38.4cm (15.1 inches) long

Insulator

147	RB1-8838-000CN	Sheet insulator - Plastic sheet between PCA and metal plate
-----	----------------	---

Laser/Scanner

148	C4118-69005	Laser/scanner assembly REQUIRES RETURN OF DEFECTIVE PART
	RG5-2641-000CN	<i>New Part for C4118-69005</i>

PC Board

149	C4118-69009	Engine controller board - Provides all power supply and motor control functions, including power switch - 110 volts - Does not include insulator sheet or bottom metal plate REQUIRES RETURN OF DEFECTIVE PART
	RG5-3693-080CN	<i>New Part for C4118-69009</i>
150	C4118-69010	Engine controller board - Provides all power supply and motor control functions - 220 volt - Does not include insulator sheet or bottom metal plate REQUIRES RETURN OF DEFECTIVE PART
	RG5-3694-080CN	<i>New Part for C4118-69010</i>
	C4251-69001	Formatter board assembly REQUIRES RETURN OF DEFECTIVE PART
	C4251-67909	<i>New Part for C4251-69001</i>

Plate

152	RB2-2404-000CN	Cover plate - Metal bottom plate for engine controller PCA
-----	----------------	--

Power Cord

8120-6802	Power cord (Flint Gray) - 2.3m (7.5ft) long - Has 90 degree (F) receptacle (For 220V in Europe, Saudi Arabia, South Africa, and India)
8120-6805	Power cord (Flint Gray) - 18 AWG, 2.3m (7.5ft) long - Has 90 degree receptacle (For 120V in the USA, Canada, Mexico, Philippines, and Taiwan)

Receptacle

155	RG5-3696-000CN	AC power receptacle - Connector and housing assembly
-----	----------------	--

Sensor

156	RG5-2642-000CN	Registration and feed sensors assembly - Includes PS102/103
-----	----------------	---

Switch

157	WC4-5139-000CN	Top cover interlock access switch
-----	----------------	-----------------------------------



Logic/Control Electronics

Memory (DIMM)

C4251-67905 Firmware DIMM - Upgrade firmware version 6.36

Optional Interfaces

Interface (Product)

J3110A Ethernet 10Base-T (RJ-45) EIO network internal print server PC board

J3111A Ethernet 10Base-T/10Base2 and LocalTalk (RJ-45, BNC, LocalTalk) EIO network PCA

J3112A JetDirect 600N token ring LAN interface board - DB-9 and RJ-45 connectors
NO LONGER SUPPLIED

J3113A JetDirect 600N internal print server (10Base-T and 100Base-TX) LAN interface board - Plugs into peripheral EIO slot

J4135A JetDirect connectivity card - Has one USB port, one serial (DB9) port and one LocalTalk port - Plugs in the EIO slot on selected DesignJet and LaserJet printers

J4167A JetDirect 610N token ring LAN interface board - DB-9 and RJ-45 connectors

J4169A JetDirect 610N internal print server (10Base-T and 100Base-TX) LAN interface board - Plugs into peripheral EIO slot - Has a RJ-45 connector - Comes with software on CD-ROM and manual

PC Board (Interface)

J3112-69001 JetDirect 600N EIO internal print server token ring LAN interface board - Has one RJ-45 and DB-9 connector

J4167-69001 *New Part for J3112-69001*

J3113-69001 JetDirect 600N EIO internal print server 10Base-T and 100Base-T LAN interface board - Has one RJ-45 connector

J4135-61001 JetDirect connectivity card - Has one USB port, one serial (DB9) port and one LocalTalk port

Other Accessories

CD-ROM (Support)

C4251-60107 LaserJet 4050 user's documentation (In PDF format) - On CD-ROM - Includes LaserJet 4050, fast infrared receiver, and JetDirect print server user's guides (Multilingual)

C4251-60116 HP LaserJet 4050 printer service/support training and documentation - Includes LaserJet 4000/4050 service manual, LaserJet 4050 user's guide, & self-paced training materials

Cartridge

C4127A Black toner (EP) cartridge - With 'Micro-Fine' toner - Has standard capacity toner (Prints approximately 6,000 pages)

C4127X Black toner (EP) cartridge - With 'Micro-Fine' toner - Has maximum capacity toner (Prints approximately 10,000 pages)

Cleaning Supplies

5090-3379 Toner cleaning cloth - Specially treated cloth for absorbing toner (1 per package) - Ideal for cleaning up toner spills

Cover

C4232-60101 Dust cover

C4232A Dust Cover - Used on Models With Standard 1X500 Paper Tray

C4233-60101 Dust cover

C4233A Dust Cover - Used on Models With Standard 2X250 Paper Trays

C4234-60101 Dust cover

C4234A Dust Cover - Used when optional 500 sheet feeder is added to standard LJ4000/4050/4100 with 1x500 or 2x250 paper trays

IR Assembly

C4103-67901 FIR pod - Fast infrared receiver - With cable that plugs into formatter board port on back of printer

Kit

C4118-67905 Self paced training kit for laser jet 4000 family - Includes NTSC format video (VHS) and five student guides

C4118-67909 Maintenance kit (120V) - Includes fuser assembly, three feed/separation rollers, transfer roller, pickup roller and instruction manual

C4118-67910 Maintenance kit (240V) - Includes fusing assembly, feed/separation roller, transfer roller, tray 1,2,& 3 pick-up rollers and instruction manual

C4118-69001 Maintenance kit (120V) - Includes fusing assembly, transfer roller, six pickup/separation rollers, MP Tray/Tray 1 pickup roller and instruction guide
REQUIRES RETURN OF DEFECTIVE PART

~~C4118-67909~~ *New Part for C4118-69001*



Other Accessories

Kit

- C4118-69002 Maintenance kit (240V) - Includes fusing assembly, transfer roller, six pickup/separation rollers, MP Tray pickup roller and instruction guide
REQUIRES RETURN OF DEFECTIVE PART
- C4118-67910 *New Part for C4118-69002*
- C7851A Maintenance kit (120V) - Includes fuser assembly, three separation rollers, transfer roller, three paper feed rollers, pickup roller and instruction manual
- C7852A Maintenance kit (240V) - Includes fusing assembly, transfer roller, tray 1,2,& 3 pickup/separation rollers and instruction manual

Manual

- C4118-91028 Additional self-paced training guides (English) - Pack of 5
- C4251-91003 LaserJet 4000 and 4050 series service manual

Manual Kit

- C4118-99051 LaserJet 4000/4050 series manual bundle - Includes user's manual, 'Getting Started' guide, and pocket quick reference guide (English)
- C4118-99052 LaserJet 4000/4050 series manual bundle - Includes user's manual, 'Getting Started' guide, and pocket quick reference guide (French)
- C4118-99053 LaserJet 4000/4050 series manual bundle - Includes user's manual, 'Getting Started' guide, and pocket quick reference guide (Italian)
- C4118-99054 LaserJet 4000/4050 series manual bundle - Includes user's manual, 'Getting Started' guide, and pocket quick reference guide (German)
- C4118-99055 LaserJet 4000/4050 series manual bundle - Includes user's manual, 'Getting Started' guide, and pocket quick reference guide (Spanish)
- C4118-99056 LaserJet 4000/4050 series manual bundle - Includes user's manual, 'Getting Started' guide, and pocket quick reference guide (Dutch)
- C4118-99057 LaserJet 4000/4050 series manual bundle - Includes user's manual, 'Getting Started' guide, and pocket quick reference guide (Danish)
- C4118-99058 LaserJet 4000/4050 series manual bundle - Includes user's manual, 'Getting Started' guide, and pocket quick reference guide (Finnish)
- C4118-99059 LaserJet 4000/4050 series manual bundle - Includes user's manual, 'Getting Started' guide, and pocket quick reference guide (Norwegian)
- C4118-99060 LaserJet 4000/4050 series manual bundle - Includes user's manual, 'Getting Started' guide, and pocket quick reference guide (Swedish)
- C4118-99061 LaserJet 4000/4050 series manual bundle - Includes user's manual, 'Getting Started' guide, and pocket quick reference guide (Portuguese)
- C4118-99062 LaserJet 4000/4050 series manual bundle - Includes user's manual, 'Getting Started' guide, and pocket quick reference guide (Polish)
- C4118-99063 LaserJet 4000/4050 series manual bundle - Includes user's manual, 'Getting Started' guide, and pocket quick reference guide (Turkish)
- C4118-99064 LaserJet 4000/4050 series manual bundle - Includes user's manual, 'Getting Started' guide, and pocket quick reference guide (Traditional Chinese)
- C4118-99065 LaserJet 4000/4050 series manual bundle - Includes user's manual, 'Getting Started' guide, and pocket quick reference guide (Korean - Hangul)
- C4118-99066 LaserJet 4000/4050 series manual bundle - Includes user's manual, 'Getting Started' guide, and pocket quick reference guide (Russian - Cyrillic)
- C4118-99067 LaserJet 4000/4050 series manual bundle - Includes user's manual, 'Getting Started' guide, and pocket quick reference guide (Hungarian)
- C4118-99068 LaserJet 4000/4050 series manual bundle - Includes user's manual, 'Getting Started' guide, and pocket quick reference guide (Czechoslovakian)
- C4118-99069 LaserJet 4000/4050 series manual bundle - Includes user's manual, 'Getting Started' guide, and pocket quick reference guide (Simplified Chinese)
- C4118-99070 LaserJet 4000/4050 series manual bundle - Includes user's manual, 'Getting Started' guide, and pocket quick reference guide (Thai)



Other Accessories

Manual Kit

C4118-99071	LaserJet 4000/4050 series manual bundle - Includes user's manual, 'Getting Started' guide, and pocket quick reference guide (Arabic)
C4118-99072	LaserJet 4000/4050 series manual bundle - Includes user's manual, 'Getting Started' guide, and pocket quick reference guide (Greek)
C4118-99073	LaserJet 4000/4050 series manual bundle - Includes user's manual, 'Getting Started' guide, and pocket quick reference guide (Hebrew)
C4118-99074	LaserJet 4000/4050 series manual bundle - Includes user's manual, 'Getting Started' guide, and pocket quick reference guide (Japanese)
C4251-99001	LaserJet 4050 series getting started bundle - Includes quick reference guide and getting started guide (English)
C4251-99002	LaserJet 4050 series getting started bundle - Includes quick reference guide and getting started guide (French)
C4251-99005	LaserJet 4050 series getting started bundle - Includes quick reference guide and getting started guide (Spanish)

Software

C6072-60301	HP-GL/2 driver software for AutoCAD - For DOS and Windows 3.1/95/NT 4.0 - On 3.5-inch 1.44MB floppy disks (English)
C6072-60304	HP-GL/2 driver software for AutoCAD - For DOS and Windows 3.1/95/NT 4.0 - On 3.5-inch 1.44MB floppy disks (German)
C6072-60305	HP-GL/2 driver software for AutoCAD - For DOS and Windows 3.1/95/NT 4.0 - On 3.5-inch 1.44MB floppy disks (French)
C6072-60306	HP-GL/2 driver software for AutoCAD - For DOS and Windows 3.1/95/NT 4.0 - On 3.5-inch 1.44MB floppy disks (Spanish)
C6072-60307	HP-GL/2 driver software for AutoCAD - For DOS and Windows 3.1/95/NT 4.0 - On 3.5-inch 1.44MB floppy disks (Italian)

Training Kit

C4118-61101	Self-paced training kit for LaserJet 4000 - Includes NTSC video, service manual bundle, user manual bundle, and five additional student guides
-------------	--

Transparency Adapter

C4125A	HP LaserJet 4000/4000N Series universal paper tray - Letter to A5 size paper - This is the 500 sheet removeable tray ONLY - NOT the feeder assembly
--------	---

Tray

C3122A	500 sheet tray - Letter/legal/A4 sizes - Paper cassette
C4124A	HP LaserJet 4000/N/T/TN 500 Sheet feeder with universal paper tray - Holds up to 500 sheets of paper from A5 size to legal size paper
C8055A	<i>New Part for C4124A</i>
C4126A	HP LaserJet 4000T/4000TN Series universal paper tray - Letter, legal, Executive - Holds 250 sheets - This is the removeable tray/cassette only

Paper Path Parts

Arm

227	RG5-2650-000CN	Delivery sensor arm assembly
-----	----------------	------------------------------

Belt

228	RB1-8668-030CN	Feed guide drive belt - Small belt approximately 5/16 inch wide with 'A' shaped ribs on it
-----	----------------	--

Feed Assembly

229	RG5-2651-090CN	Paper feed assembly
-----	----------------	---------------------

Guide

230	RG5-2643-020CN	Paper feed guide assembly
-----	----------------	---------------------------

Kit

H3969-60001	Paper path roller kit - Includes pickup D rollers (8 each) , Feed/Separation rollers (4 each) and Tray 1 pickup roller (1 each) - Installation procedure requires use of service manual
-------------	---

**Paper Path Parts****Paper Output Unit**

232 RG5-2648-110CN Paper delivery assembly

Roller

233 RG5-4283-000CN Transfer roller assembly

Roller Assembly

234 RG5-2652-070CN Registration assembly

Shaft

235 RB1-8674-000CN Belt drive shaft

Pickup Drive Assembly**Arm**

236 RB1-8879-000CN Paper tray sensing arm

Coupler

237 C4119-67902 Coupler kit - Contains pickup roller coupler, four paper tray load limit clips and installation instruction sheet

Hook

238 RB1-2190-000CN Pick-up roller spring hook

Roller

239 RF5-1885-000CN Feed/separation roller - Roller is gray with blue tab protruding out one side

240 RF5-2484-000CN Pickup roller assembly

Spring

241 RS5-2632-000CN Tension spring - Provides tension for pickup roller

Print to Mail Parts**Base**

242 C7833-40014 Mail base - Base that the print to mail unit sits on

Power Module

243 C7833-60102 Power supply module for the Print to Mail accessory - 100-240VAC input, 50-60Hz - 24VDC output, 2.7A, 65 watts - Includes detachable AC power cord for use in North America (flat blade, polarized, ungrounded)

Tray

244 C7833-40012 Upper fold chute - Tray on top of print to mail unit

245 C7833-40013 Lower fold chute - Tray below output bin/exit tray of print to mail accessory

246 C7833-40015 Exit tray - Mail output bin for print to mail accessory

Printer Drive Assembly**Actuator**

247 RB1-8756-000CN Toner cartridge drive rod

Drive Assembly

248 RG5-2653-020CN Print drive gear assembly

Guide

249 RB1-8757-000CN Gear assembly plate cable guide

Top Cover Assembly**Control Panel**

250 RG5-5372-050CN Control panel - Does not include overlay

Cover

251 RB1-8710-000CN Plate cover

252 RG5-2663-090CN Top cover assembly - Does not include control panel

Top Cover Assembly**Latch**

253 RB1-8846-000CN Rear output tray - Drop down release latch

Overlay

254 C4251-40001 LaserJet 4050/4100 control panel overlay (English)
255 C4251-40002 LaserJet 4050/4100 control panel overlay (French)
256 C4251-40003 LaserJet 4050/4100 control panel overlay (Italian)
257 C4251-40004 LaserJet 4050/4100 control panel overlay (Portuguese)
258 C4251-40005 LaserJet 4050/4100 control panel overlay (Norwegian)
259 C4251-40006 LaserJet 4050/4100 control panel overlay (Hungarian)
260 C4251-40007 LaserJet 4050/4100 control panel overlay (Swedish)
261 C4251-40008 LaserJet 4050/4100 control panel overlay (Polish)
262 C4251-40009 LaserJet 4050/4100 control panel overlay (Russian)
263 C4251-40010 LaserJet 4050/4100 control panel overlay (Czechoslovakian)
264 C4251-40011 LaserJet 4050/4100 control panel overlay (Korean)
265 C4251-40012 LaserJet 4050/4100 control panel overlay (Simplified Chinese)
266 C4251-40013 LaserJet 4050/4100 control panel overlay (Traditional Chinese)
267 C4251-40014 LaserJet 4050/4100 control panel overlay (German)
268 C4251-40015 LaserJet 4050/4100 control panel overlay (Spanish)
269 C4251-40016 LaserJet 4050/4100 control panel overlay (Danish)
270 C4251-40017 LaserJet 4050/4100 control panel overlay (Dutch)
271 C4251-40018 LaserJet 4050/4100 control panel overlay (Greek)
272 C4251-40019 LaserJet 4050/4100 control panel overlay (Finnish)
273 C4251-40020 LaserJet 4050/4100 control panel overlay (Turkish)
274 C4251-40021 LaserJet 4050/4100 control panel overlay (Hebrew)
275 C4251-40022 LaserJet 4050/4100 control panel overlay (Arabic)
276 C4251-40023 LaserJet 4050/4100 control panel overlay (Japanese)
277 C4251-40024 LaserJet 4050/4100 control panel overlay (Thailand)

Panel

278 RB1-8841-000CN Toner cartridge access panel

Spring

279 RB1-8847-000CN Rear tray latch release spring

Tray 1 Pickup Assembly**Arm**

280 RB1-8787-000CN Tray 1 paper sensor actuator arm
NO LONGER SUPPLIED
RF5-3116-000CN New Part for RB1-8787-000CN
281 RB2-2387-000CN Tray 1 retaining arm

Cover

282 RB1-8788-000CN Tray 1 sensor arm cover
NO LONGER SUPPLIED
RF5-3116-000CN New Part for RB1-8788-000CN
283 RB2-2386-000CN Envelope feeder drive cover

Paper Pick-Up

284 RG5-2655-360CN Tray 1 paper pickup assembly



Tray 1 Pickup Assembly

Roller

285 RG5-3718-000CN Tray 1 pickup roller assembly

Sensor Mechanism

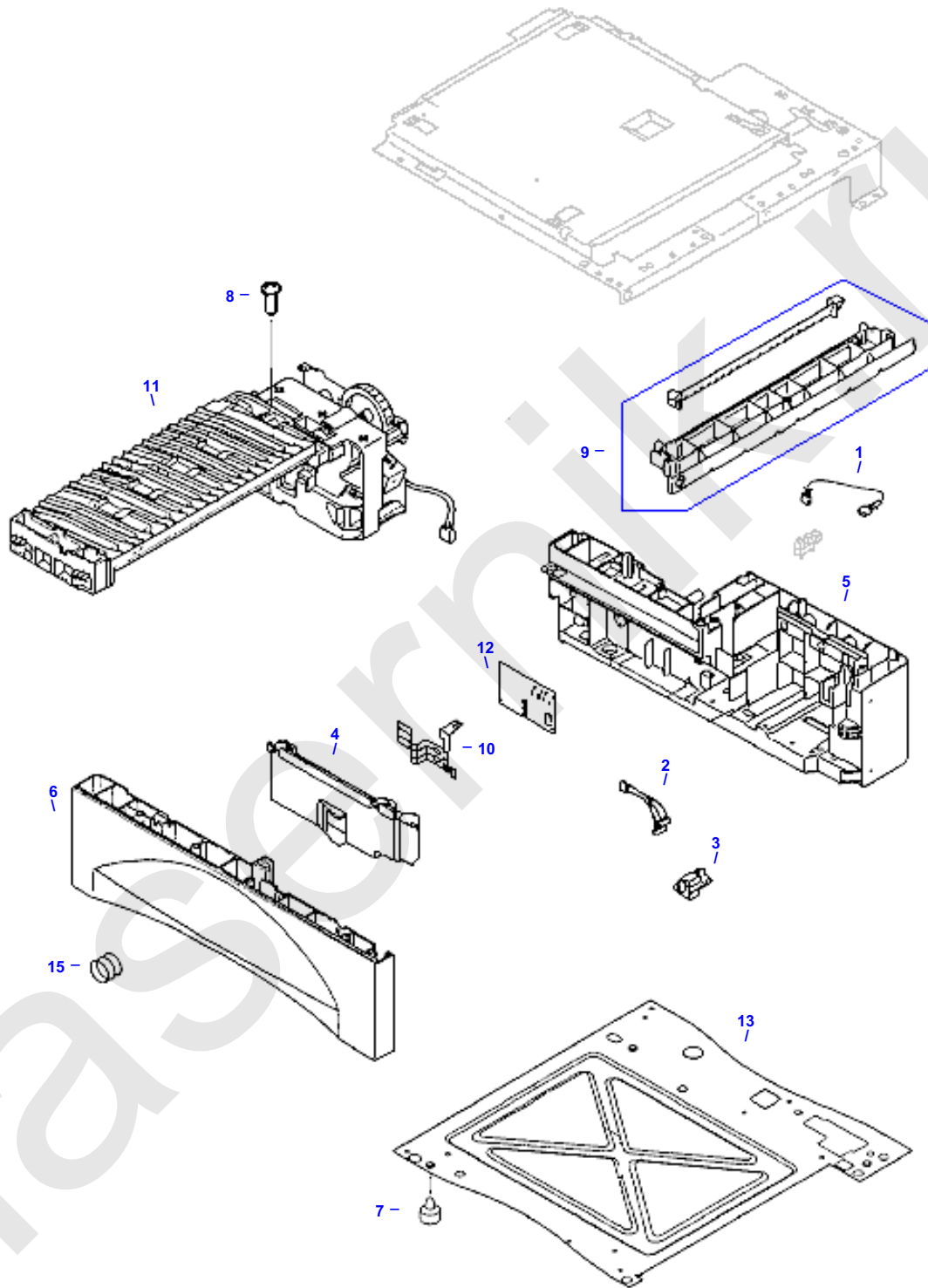
RF5-3116-000CN Tray 1 paper sensor actuator arm and cover assembly

Solenoid

287 RH7-5172-000CN Tray 1 paper pickup drive solenoid

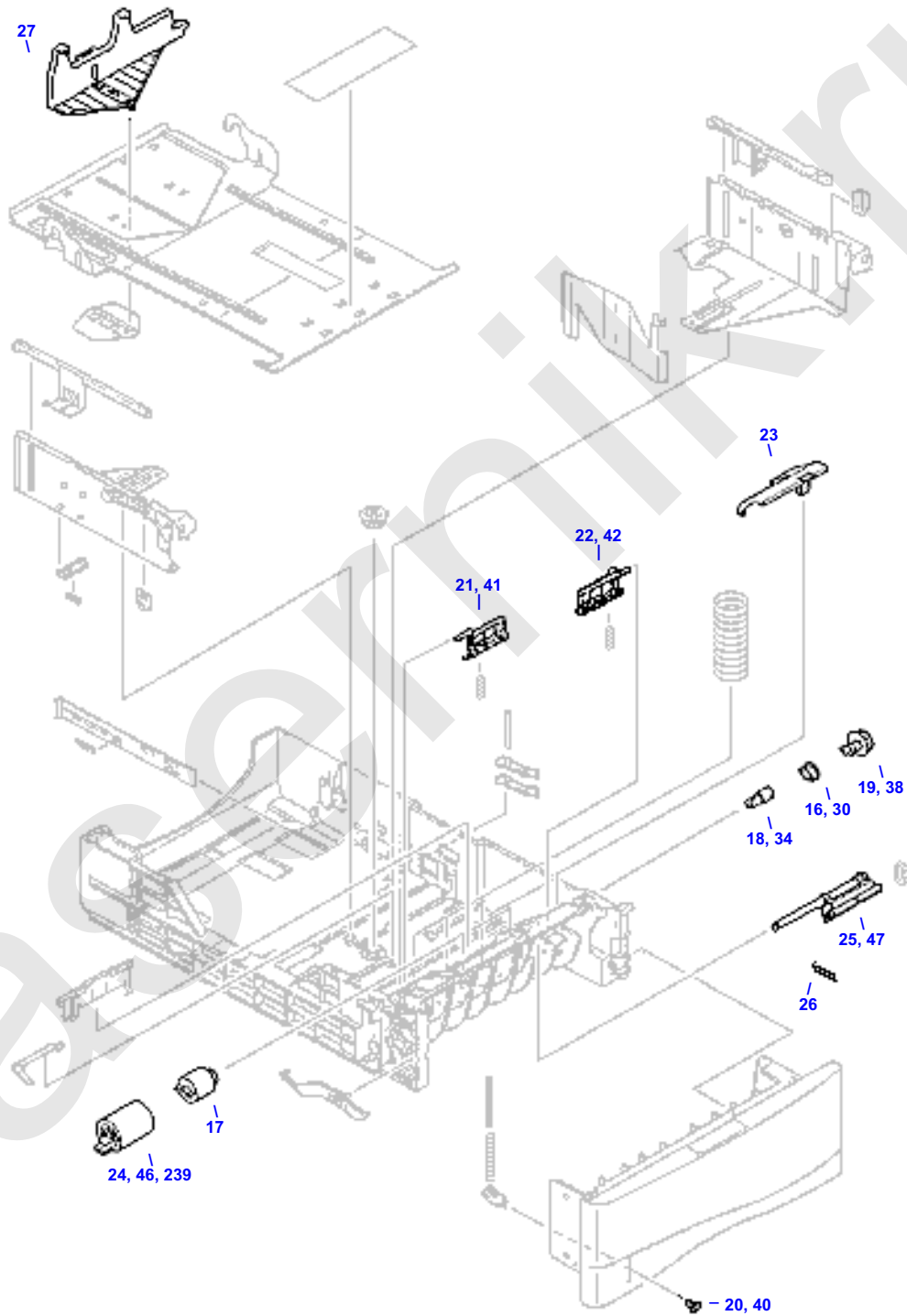
laserernik.ru

500 Sheet Feeder

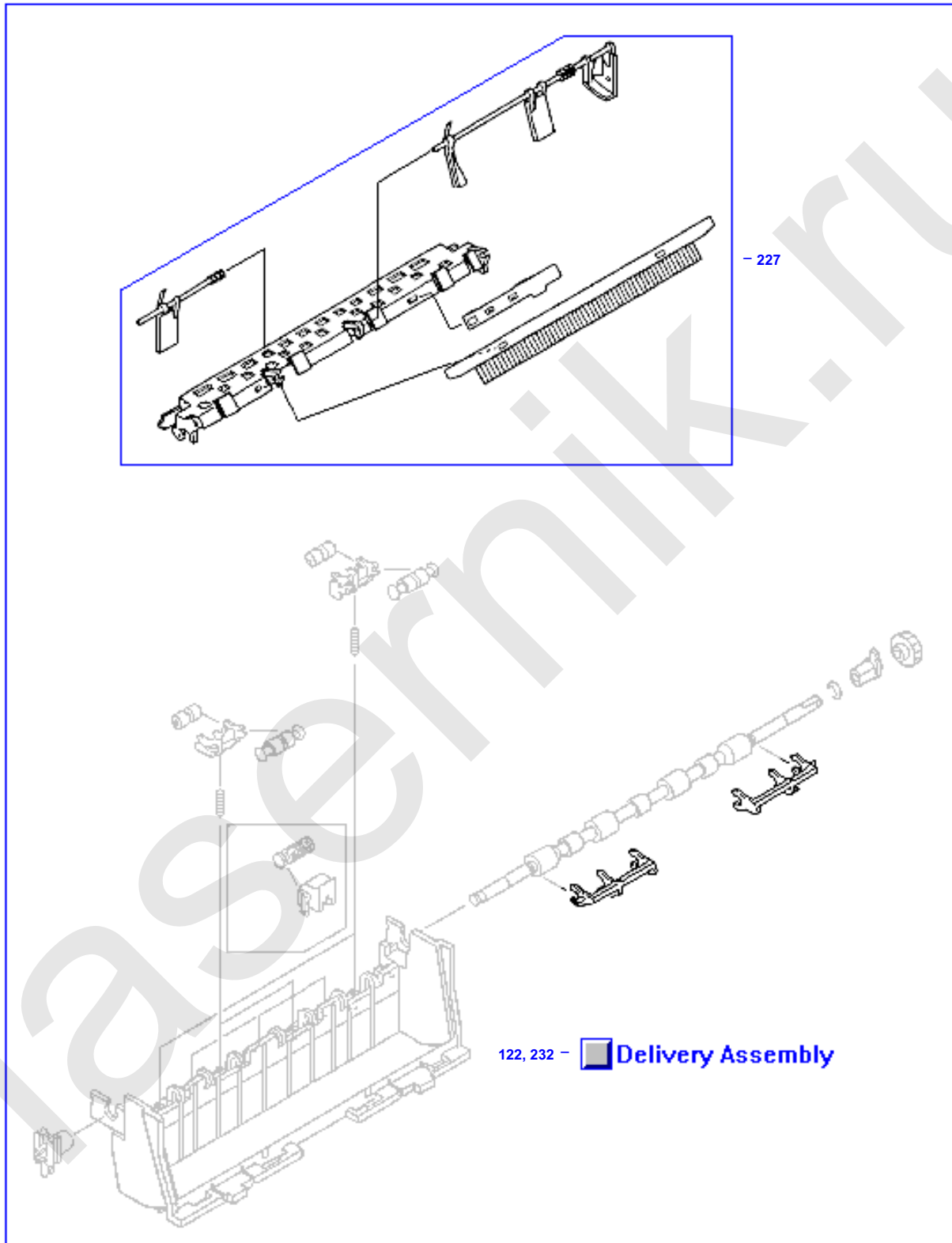


500 Sheet Tray

 **500 Sheet Paper Tray Assembly** - 28, 52

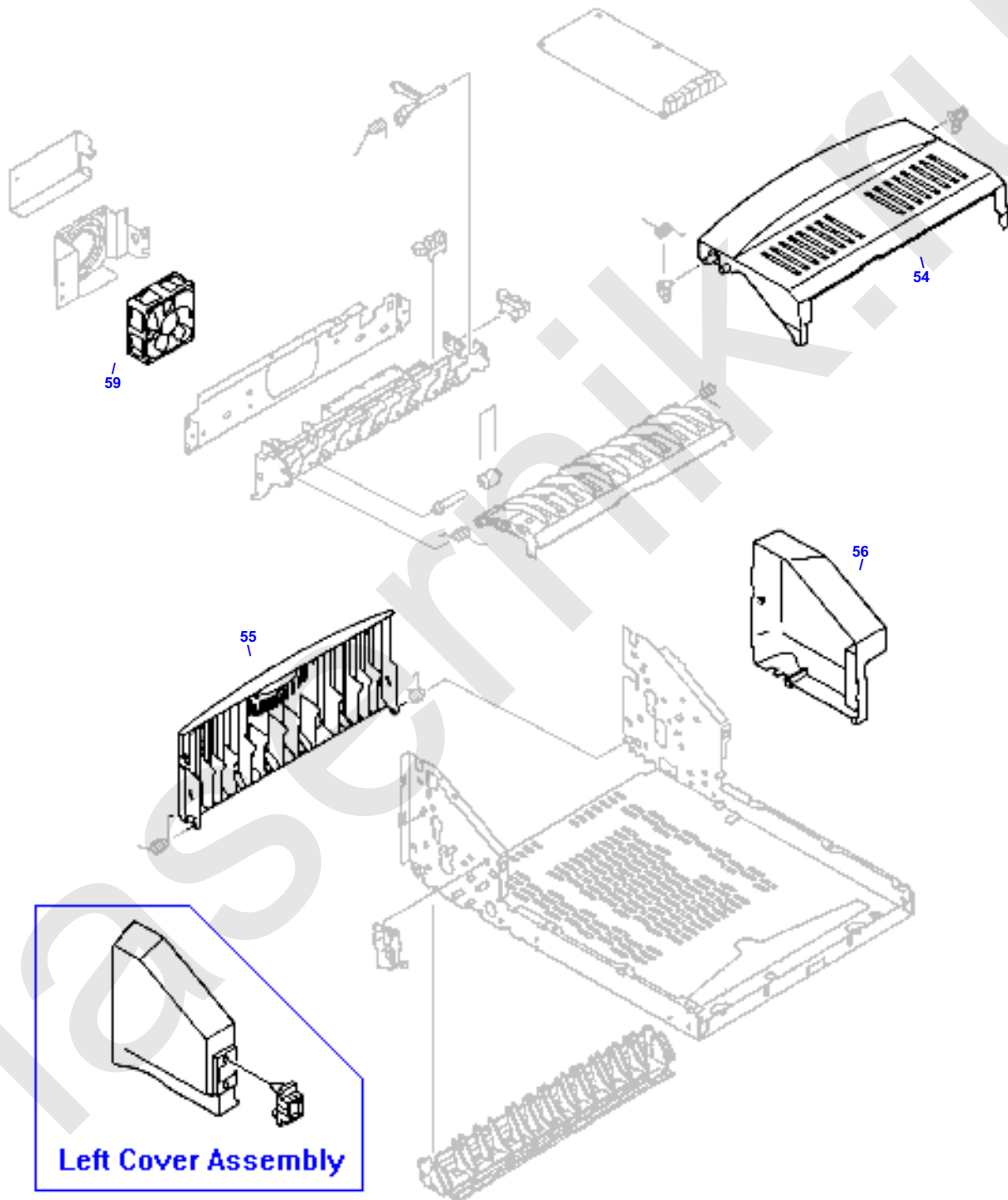


Delivery Assembly



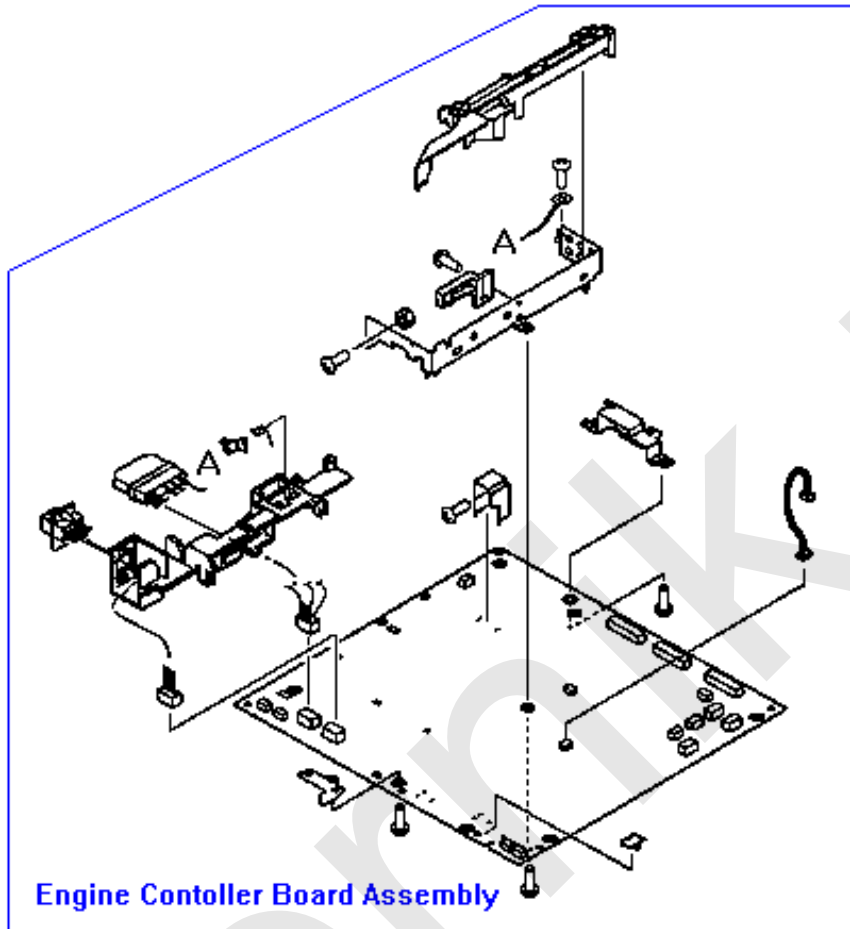
Duplexer Assembly

 Duplexer Assembly - 58



57

Engine Control Board Assembly

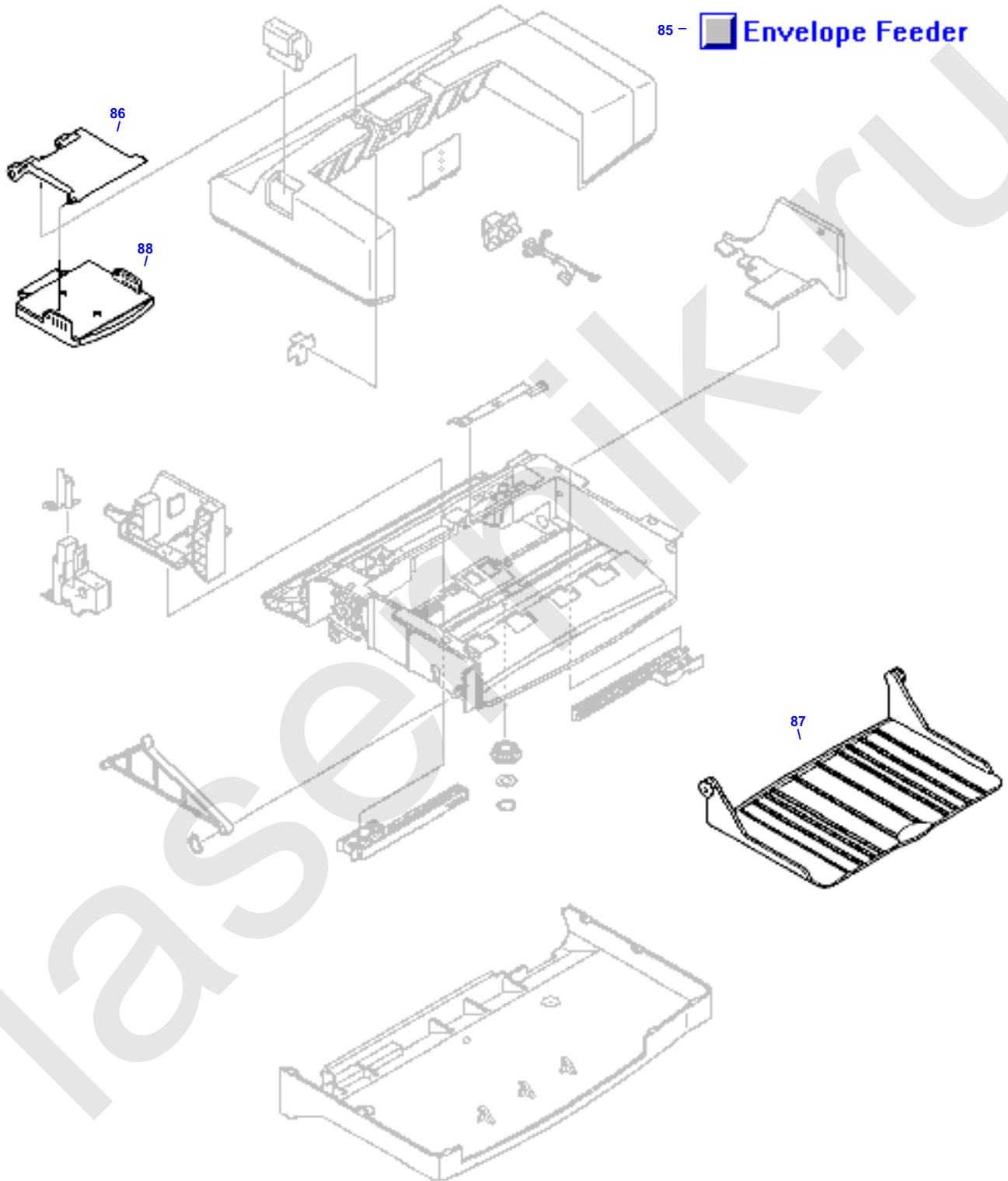


149, 150

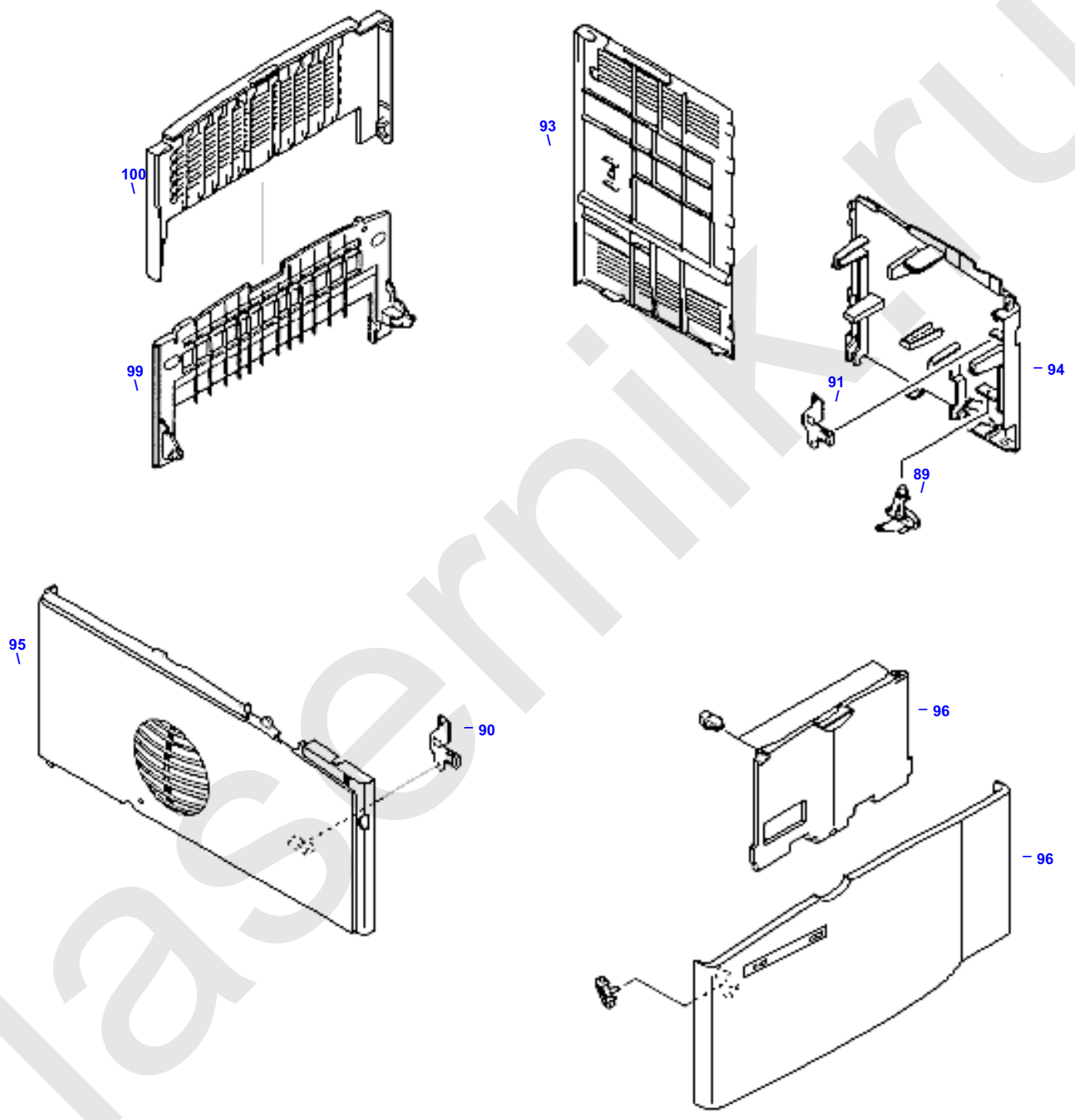
147

152

Envelope Feeder

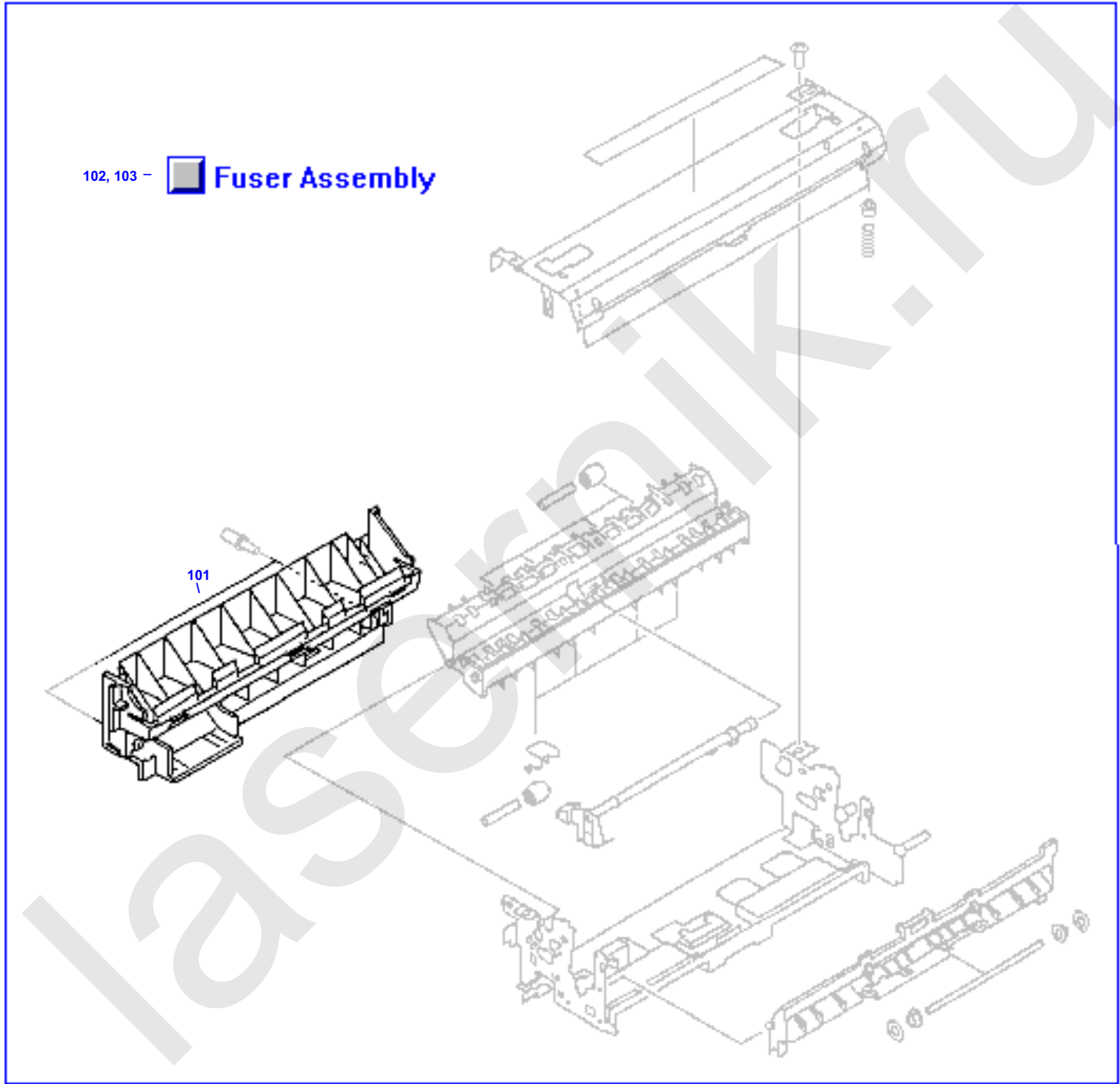


External Covers and Panels

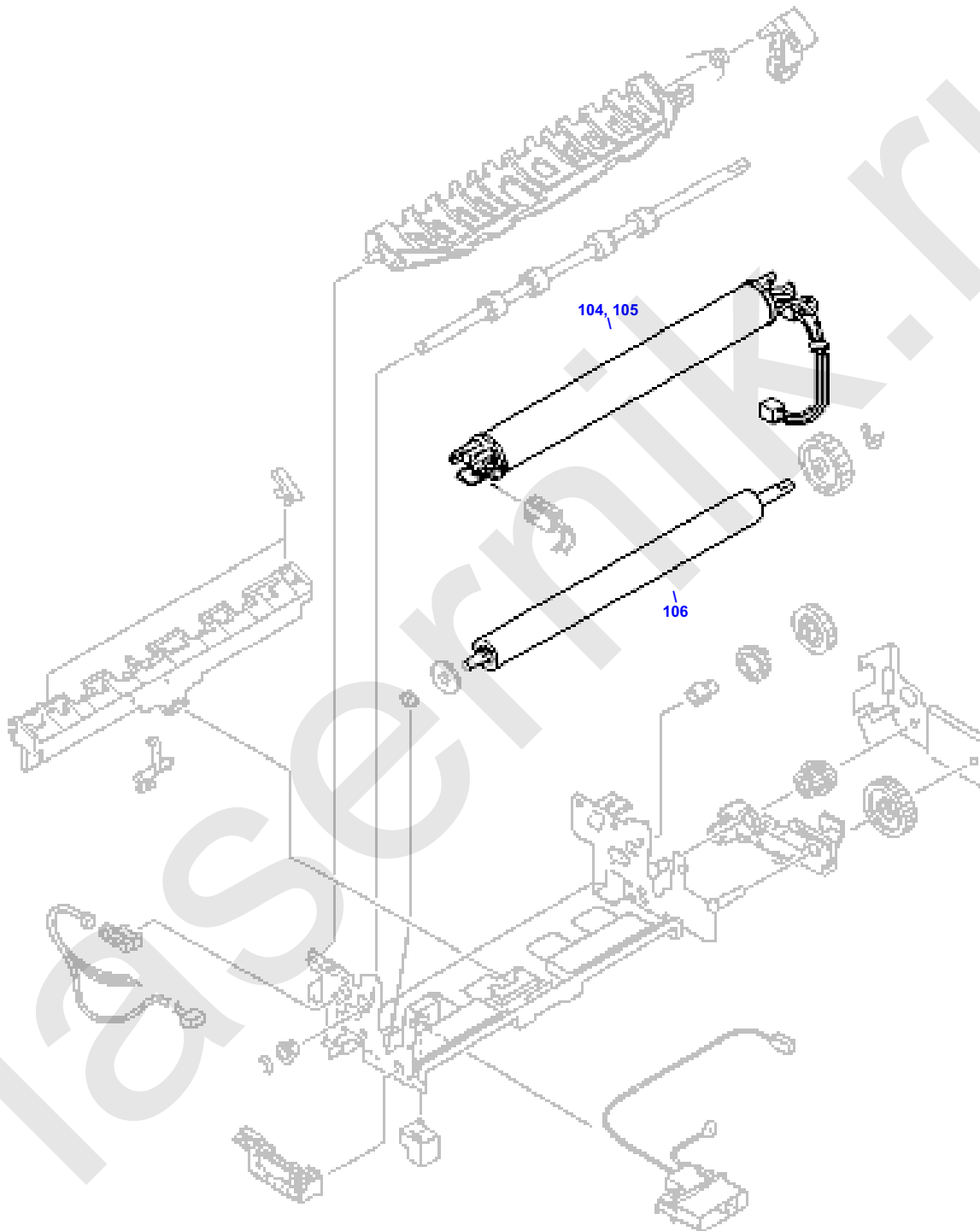


Fuser Assembly (1 of 2)

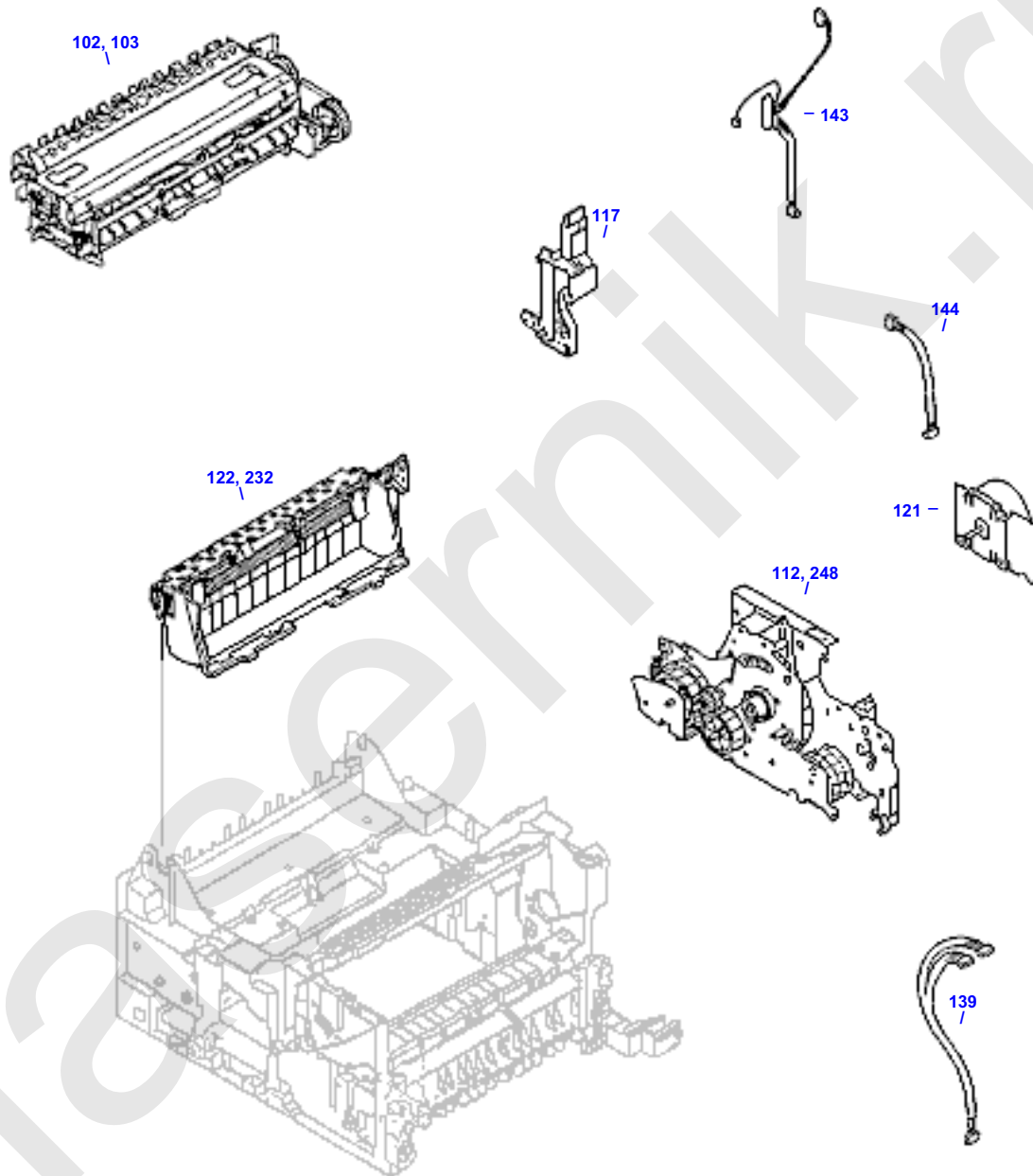
102, 103 -  Fuser Assembly



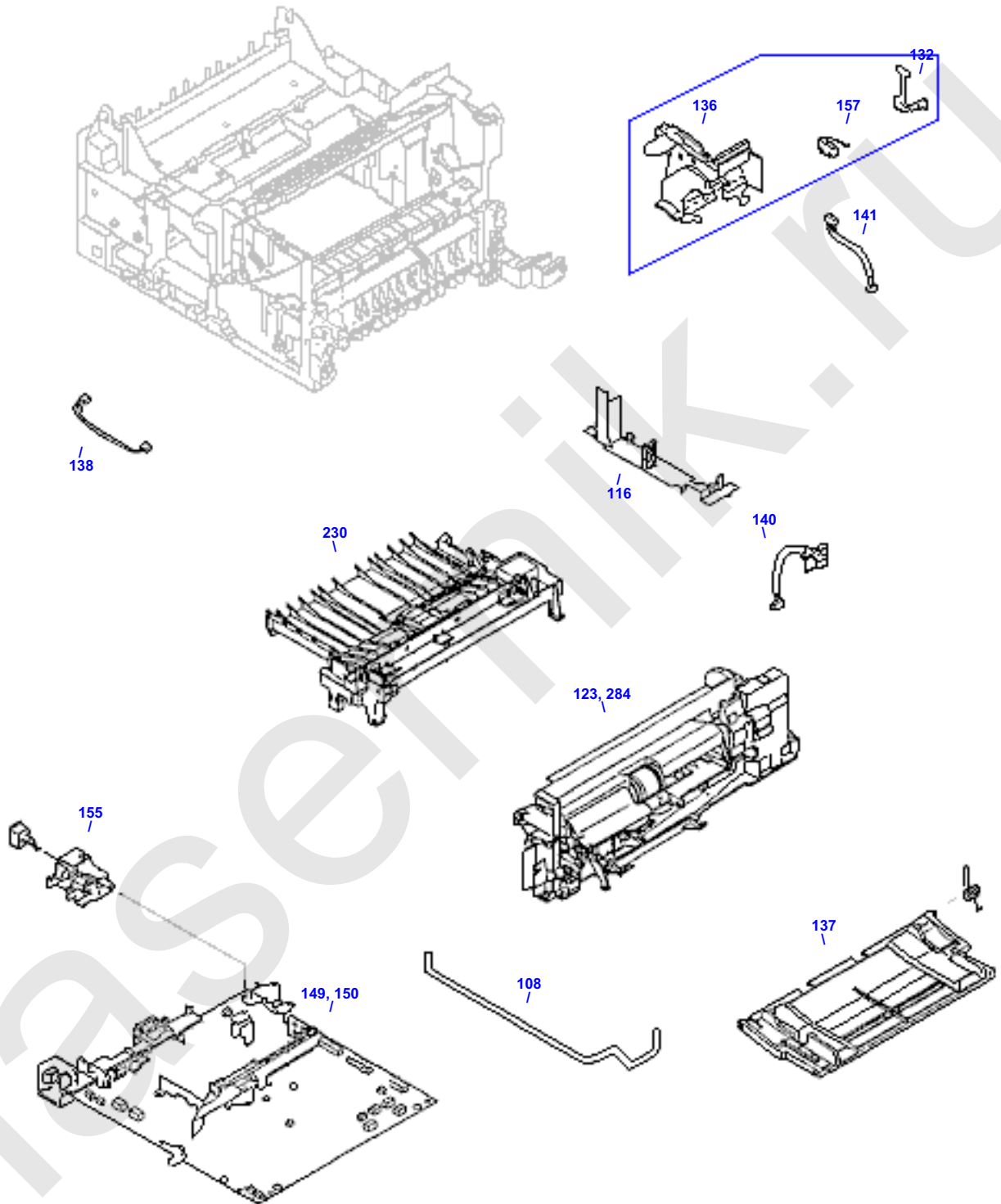
Fuser Assembly (2 of 2)



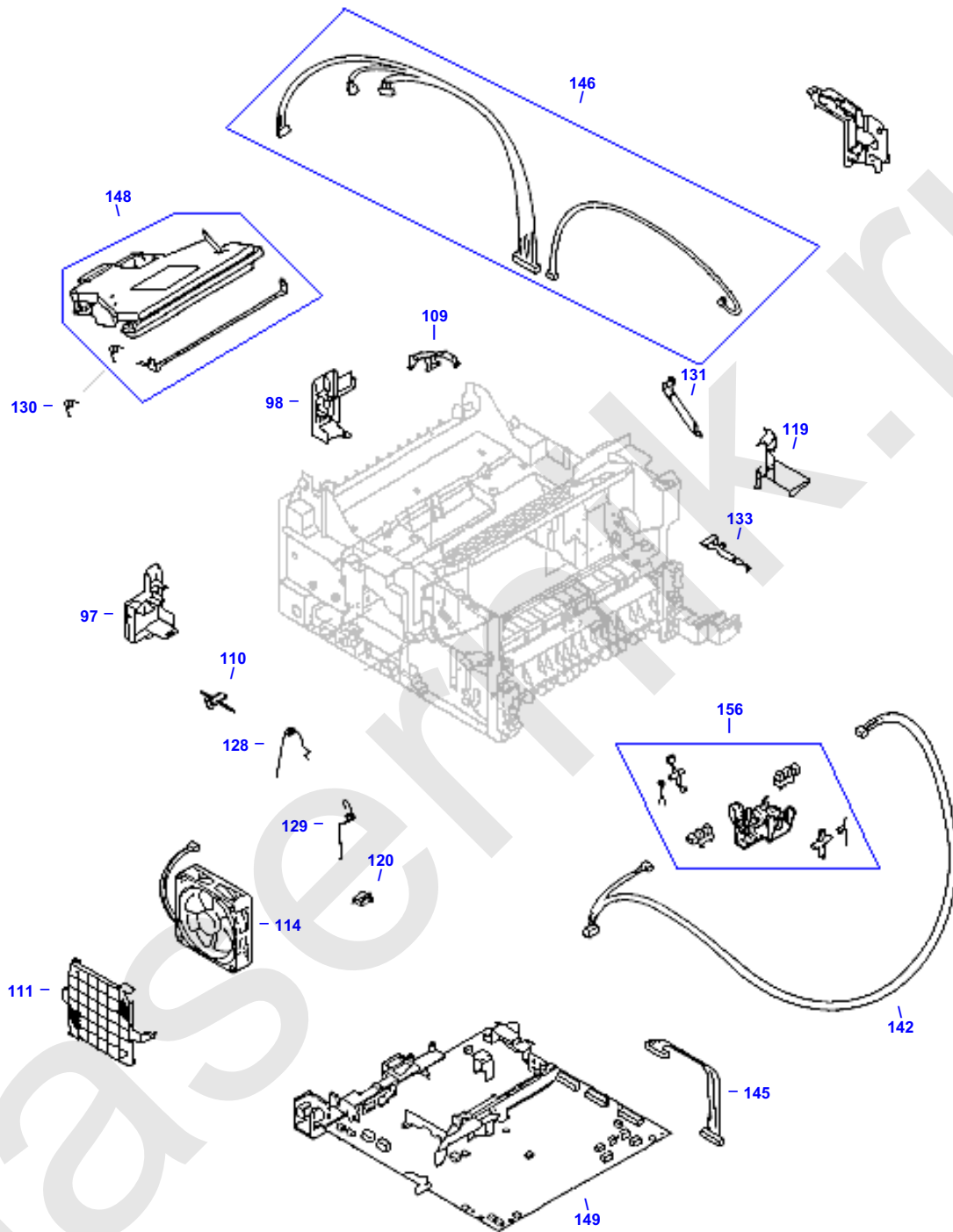
Internal Components (1 of 4)



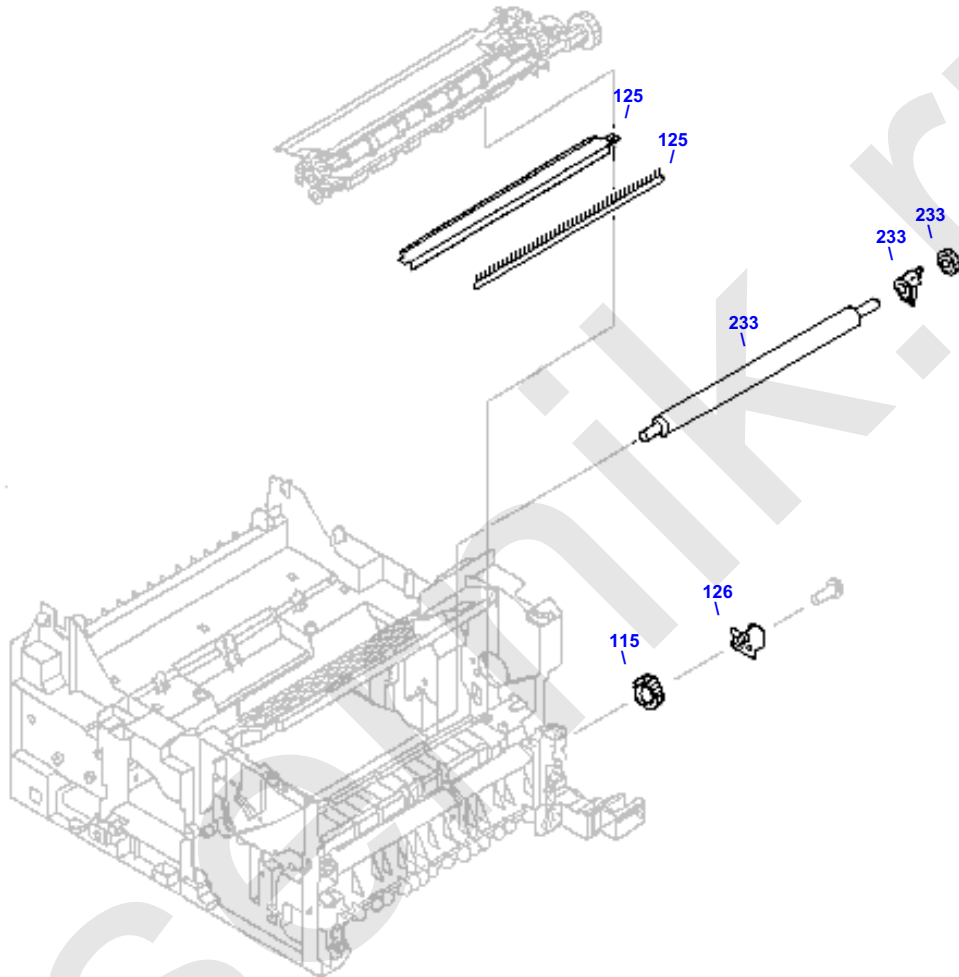
Internal Components (2 of 4)



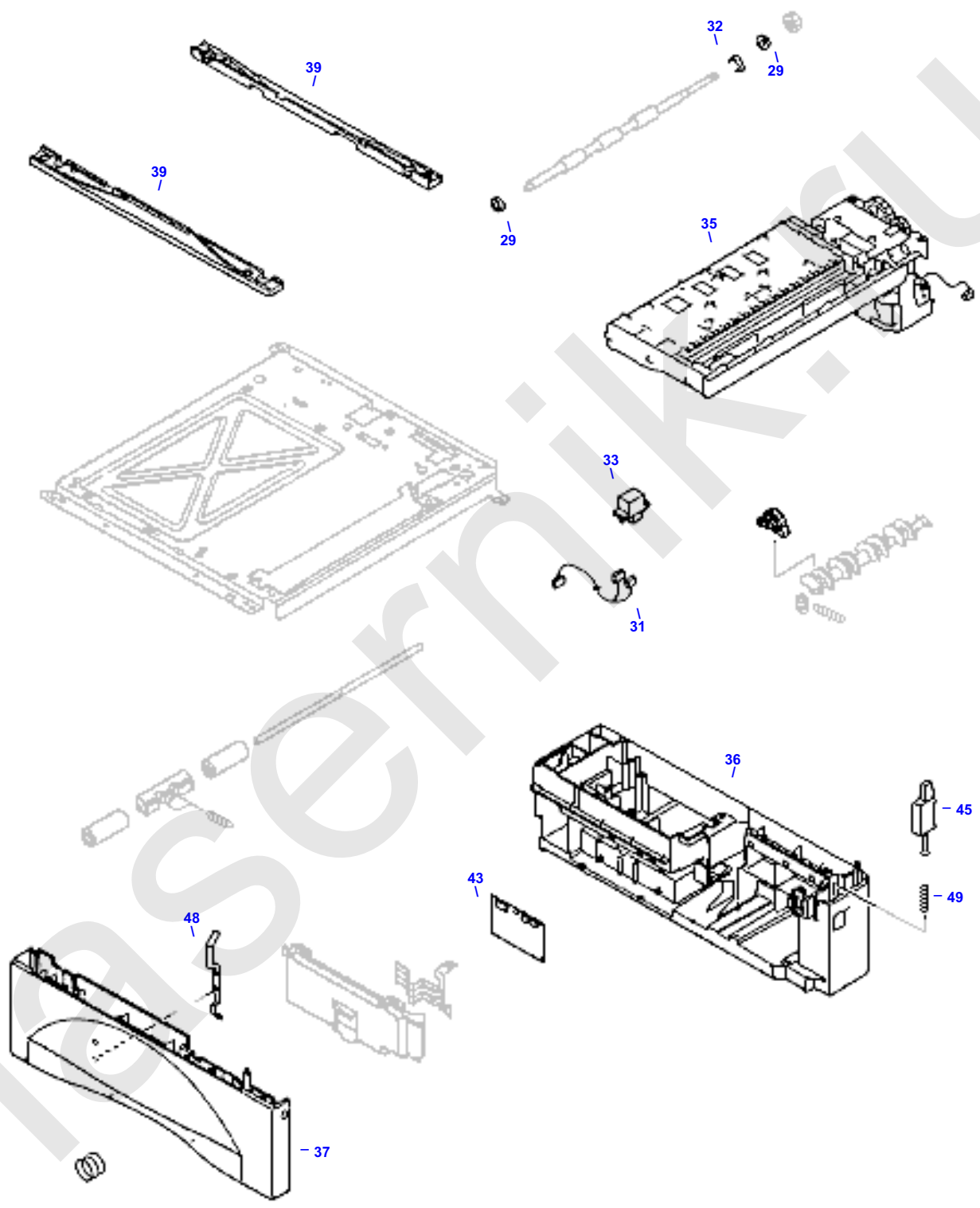
Internal Components (3 of 4)



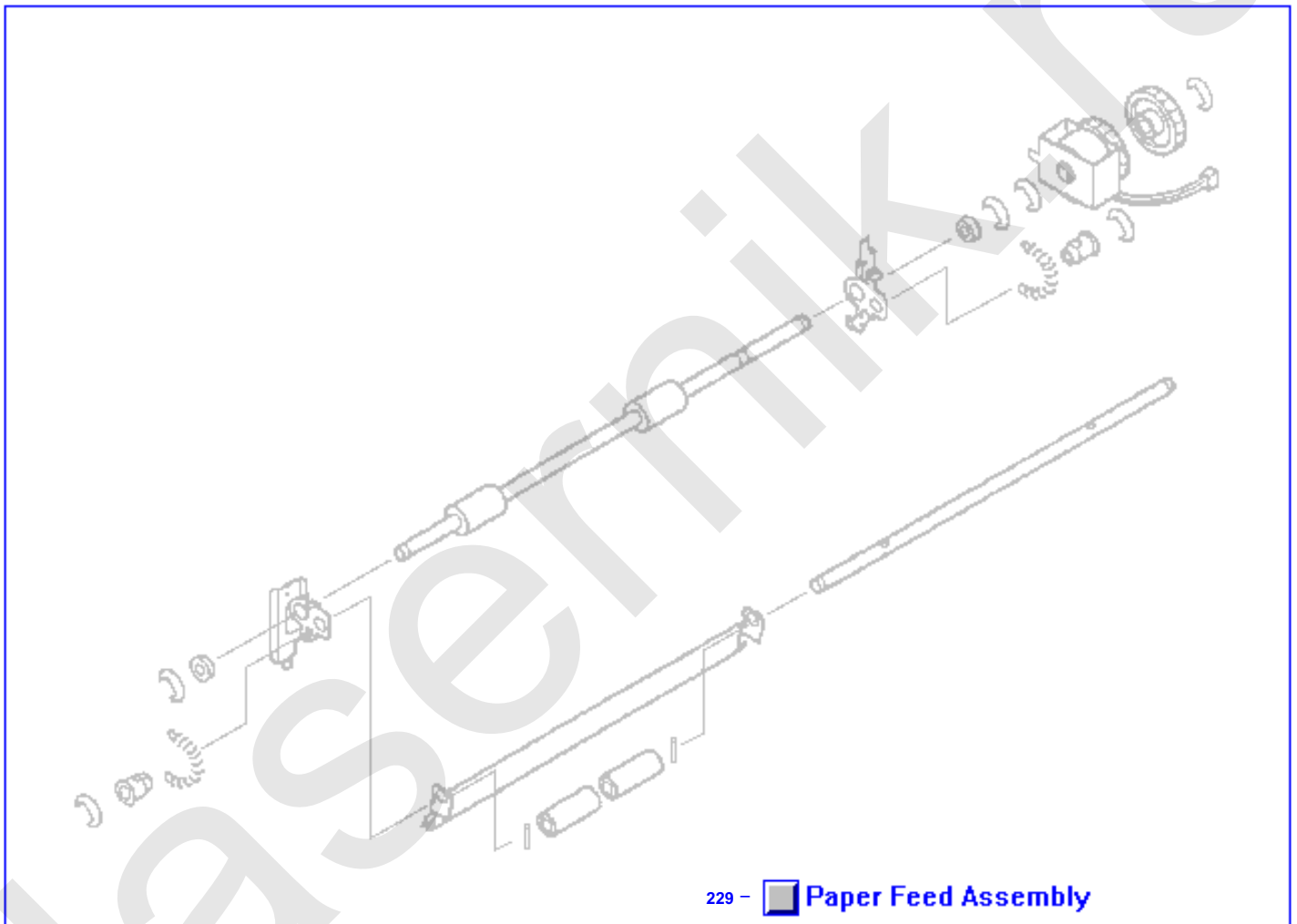
Internal Components (4 of 4)



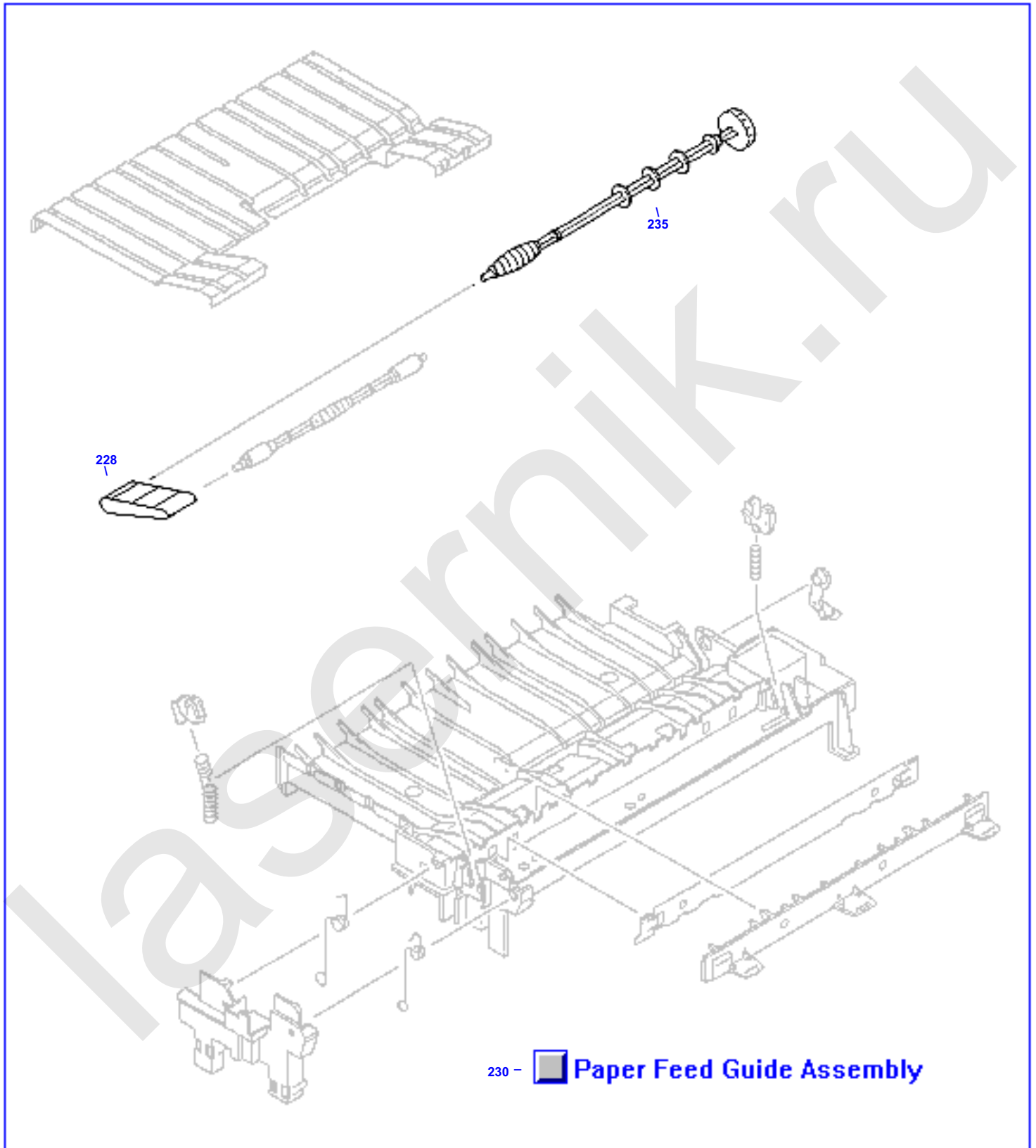
Optional 500 Sheet Feeder



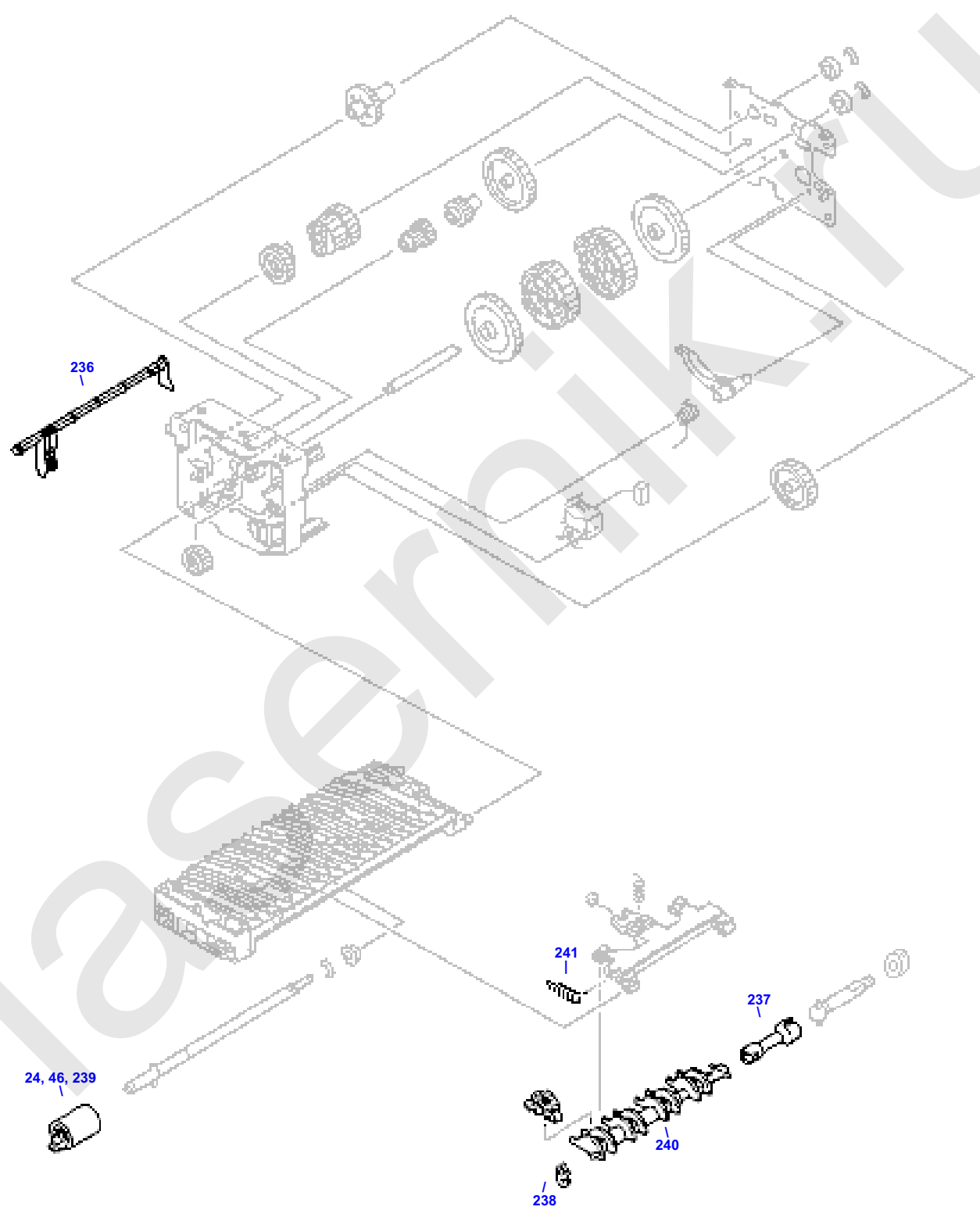
Paper Feed Assembly



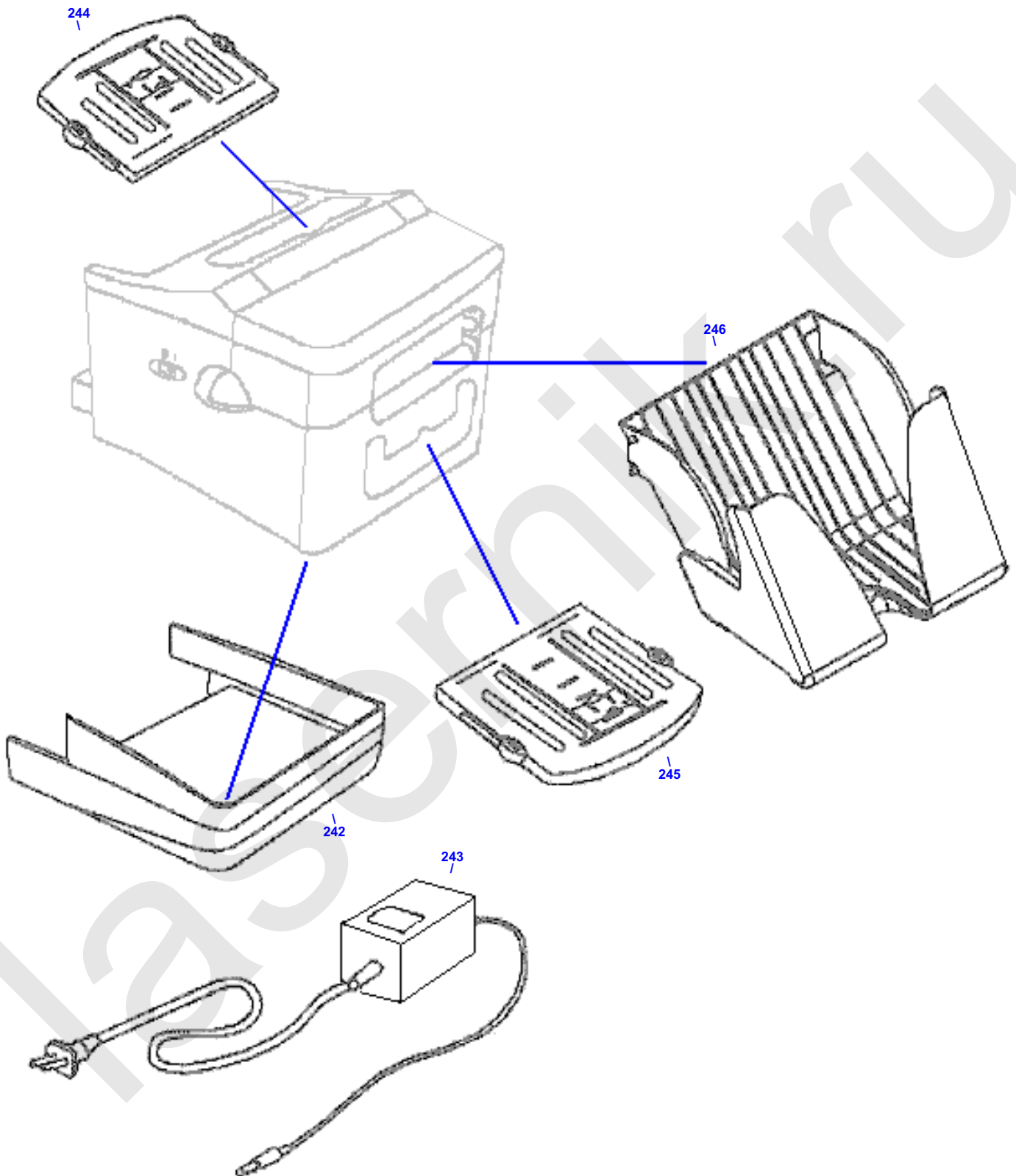
Paper Feed Guide Assembly



Paper Pickup Drive Assembly

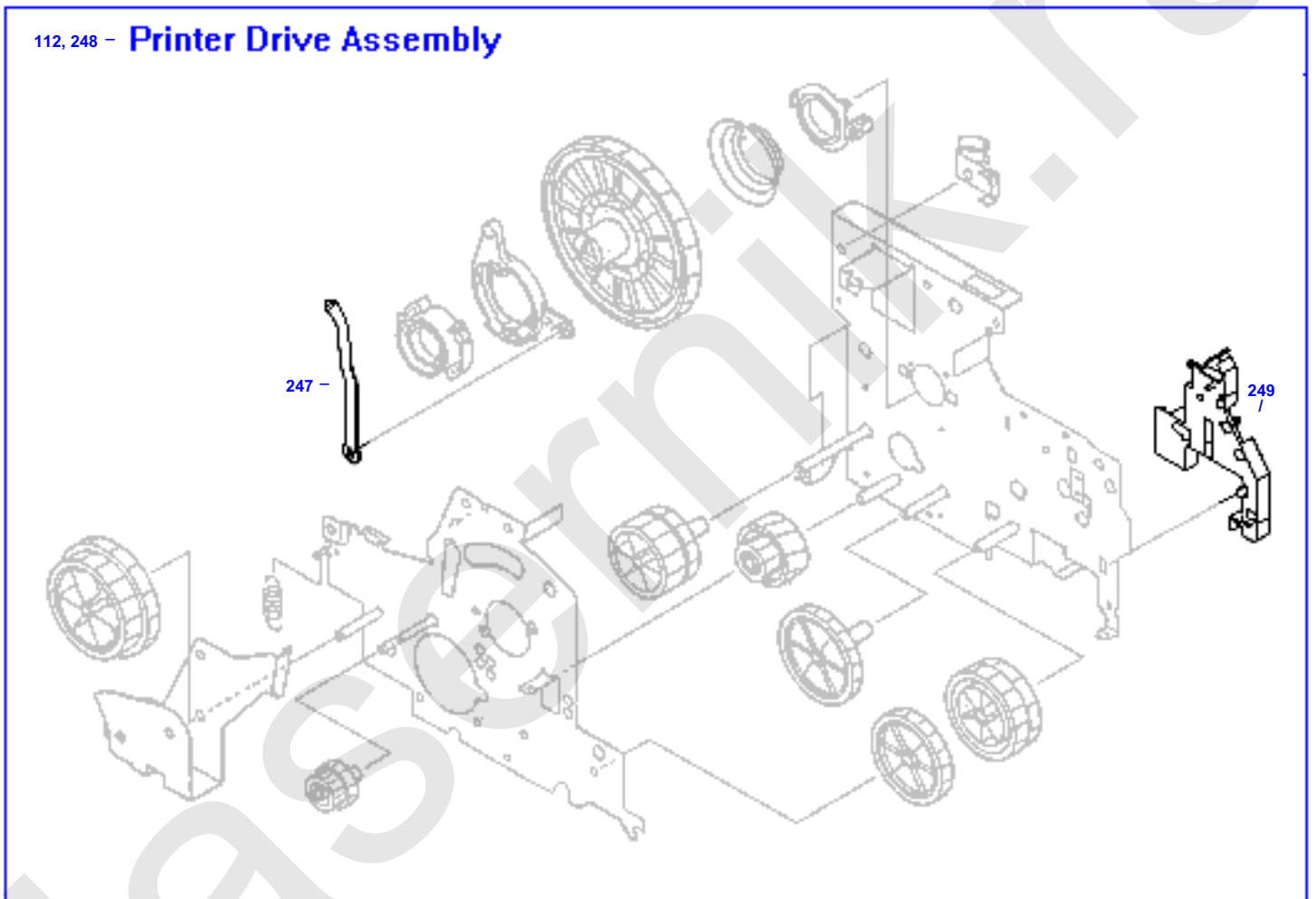


Print to Mail

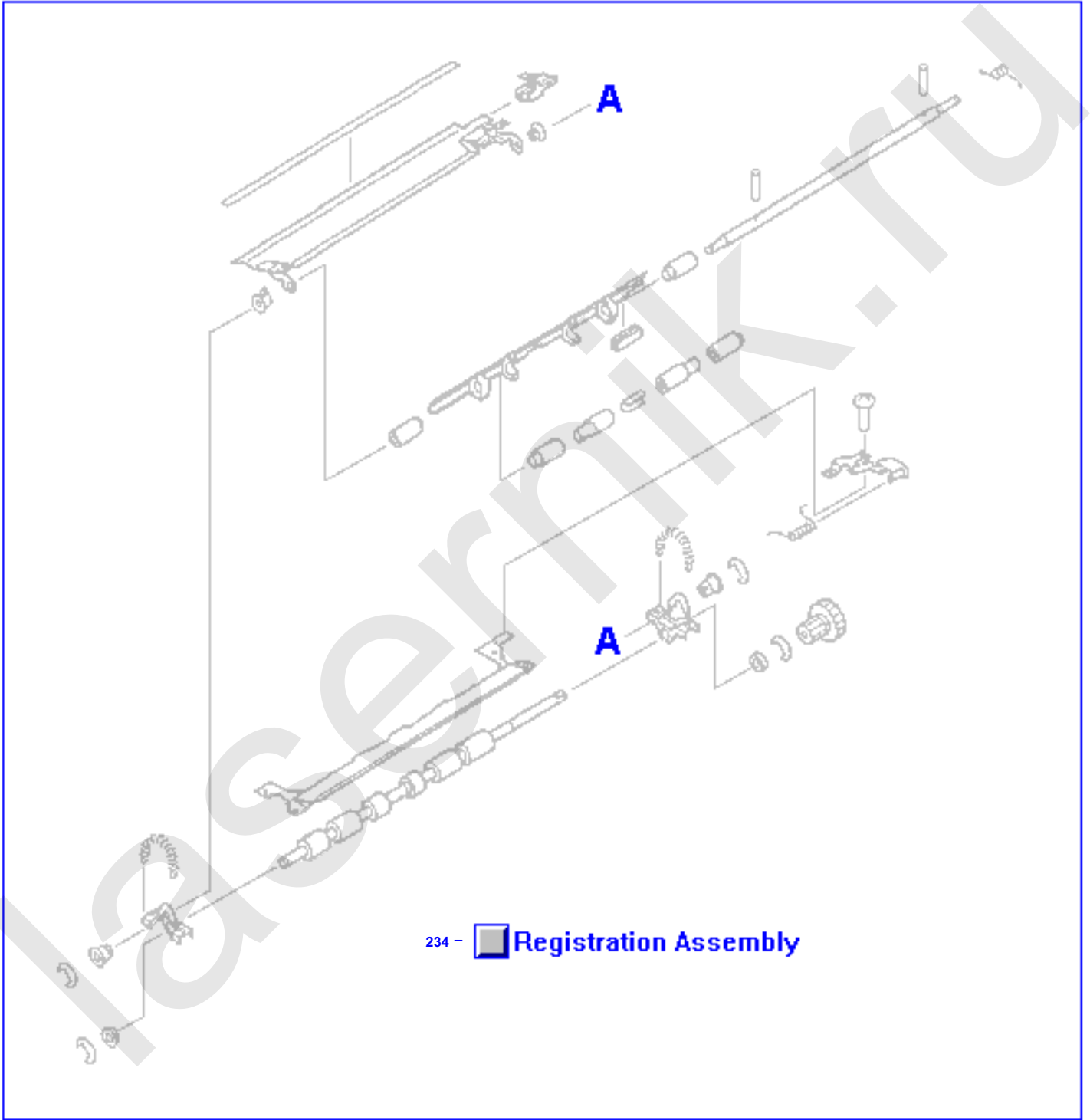


Printer Drive Assembly

112, 248 - Printer Drive Assembly

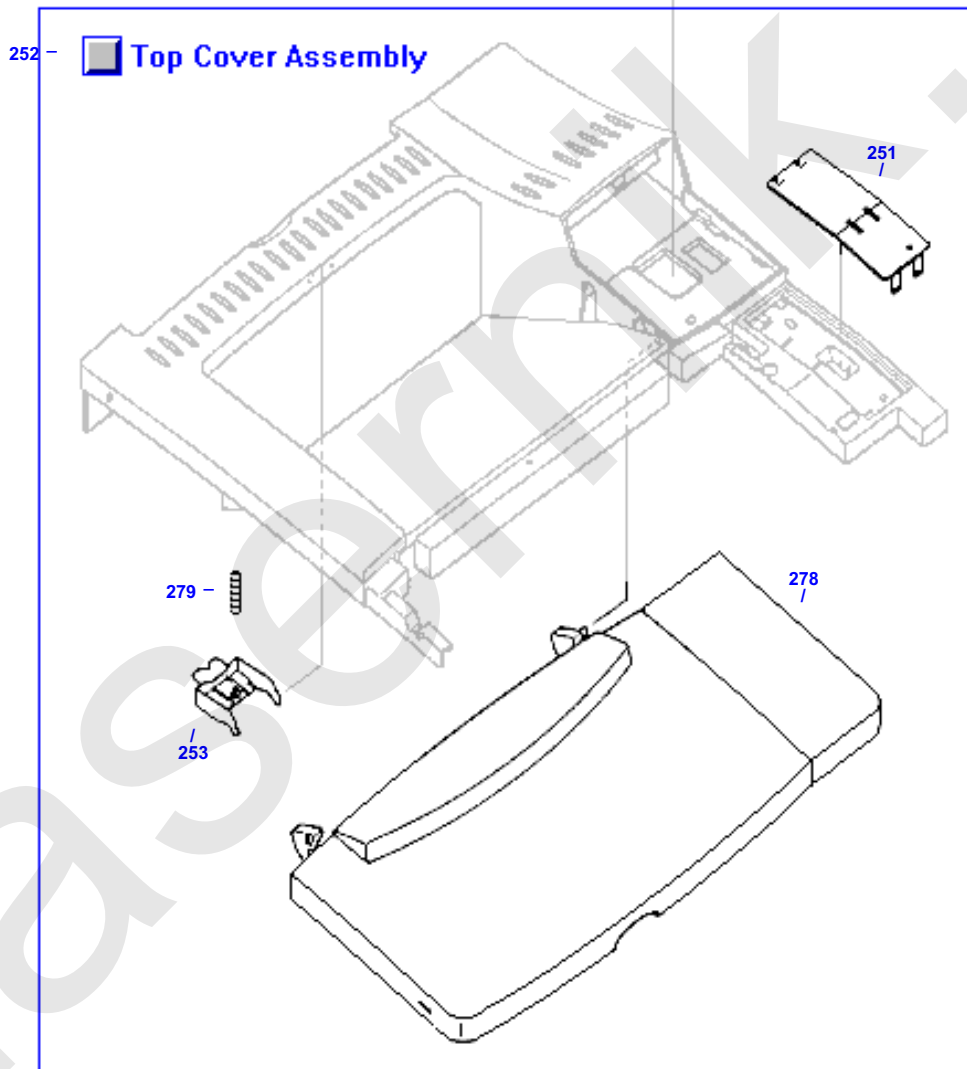


Registration Assembly



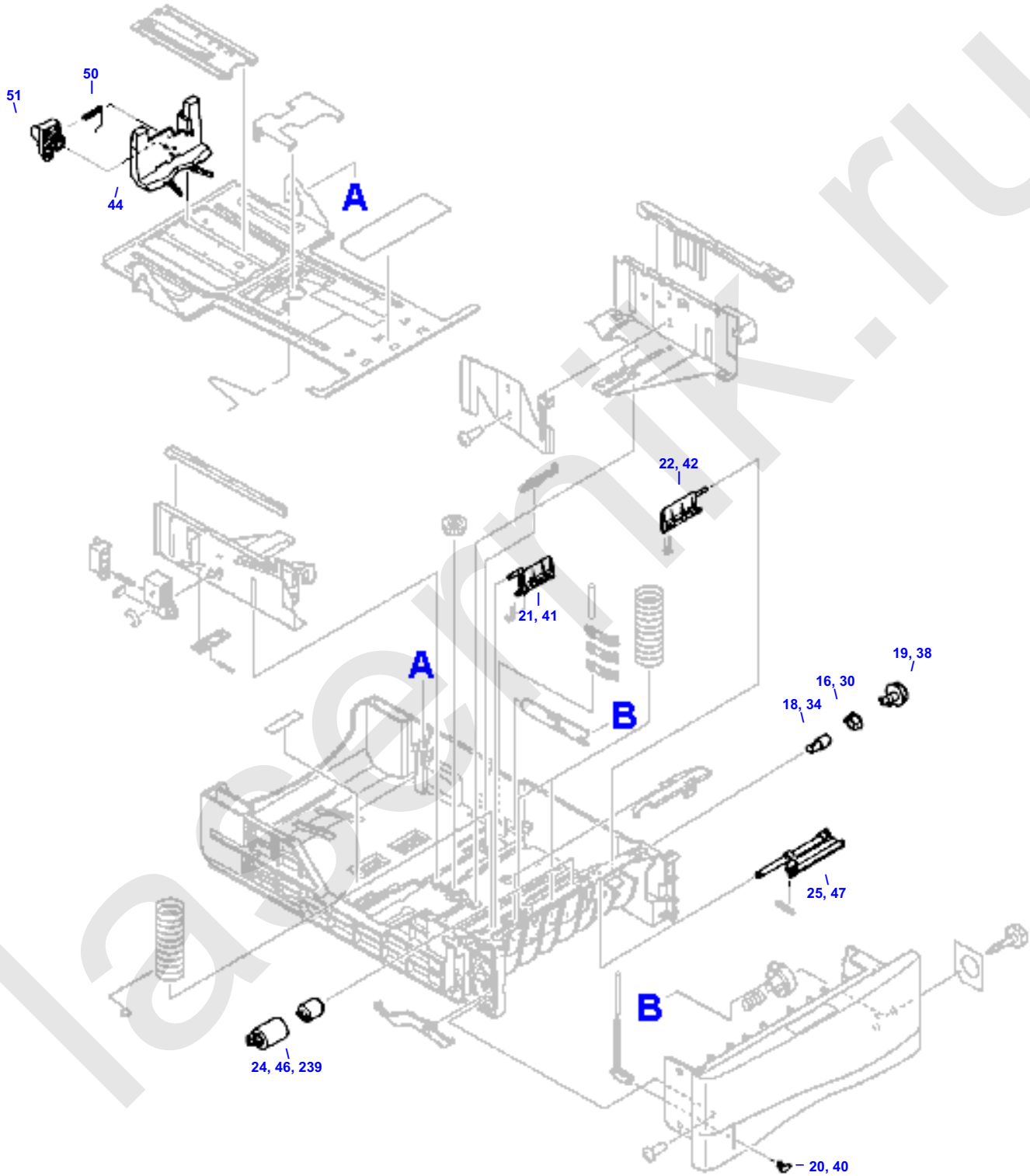
234 -  Registration Assembly

Top Cover Assembly

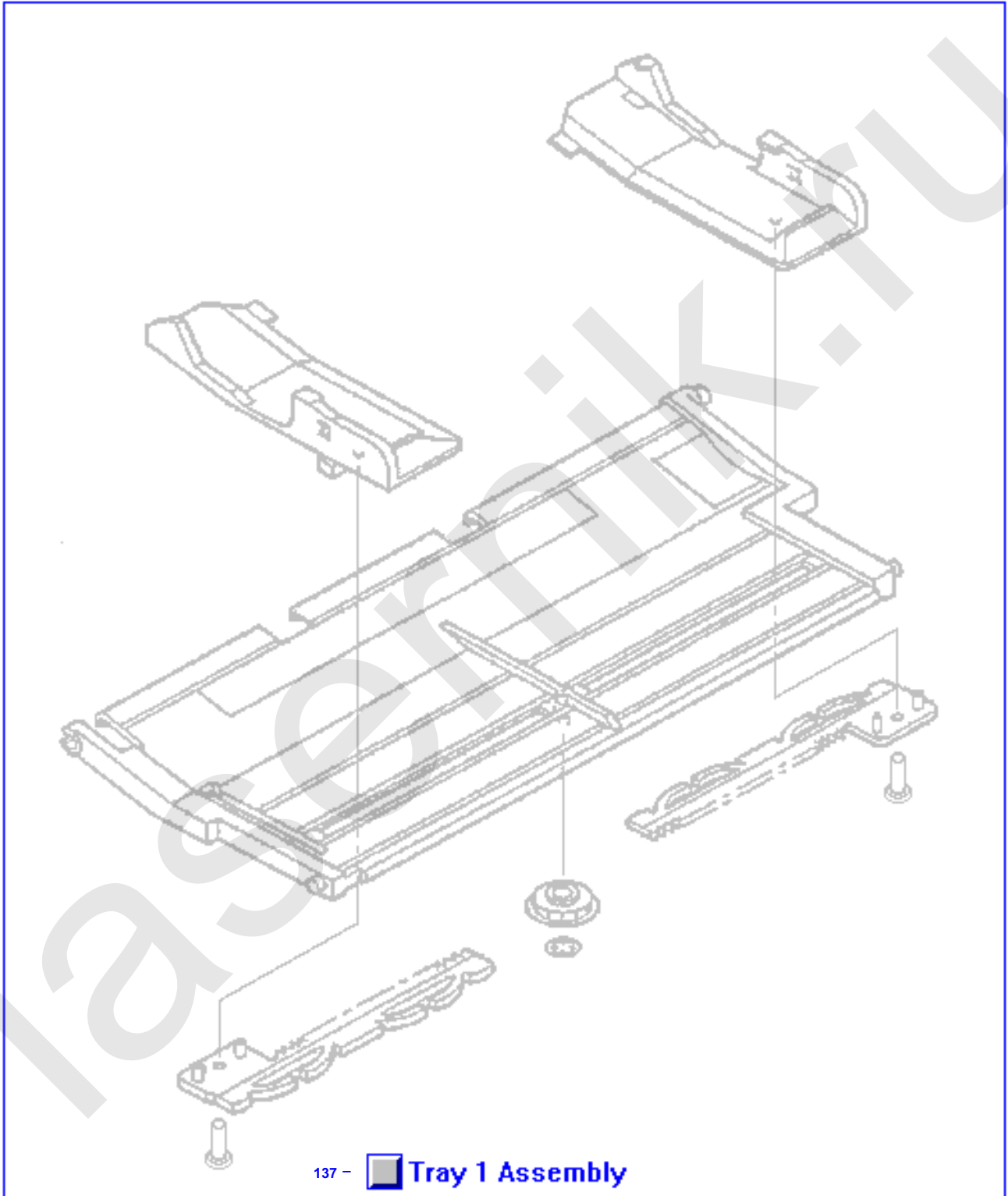


* Parts Indicated are Not Included with the Top Cover Assembly

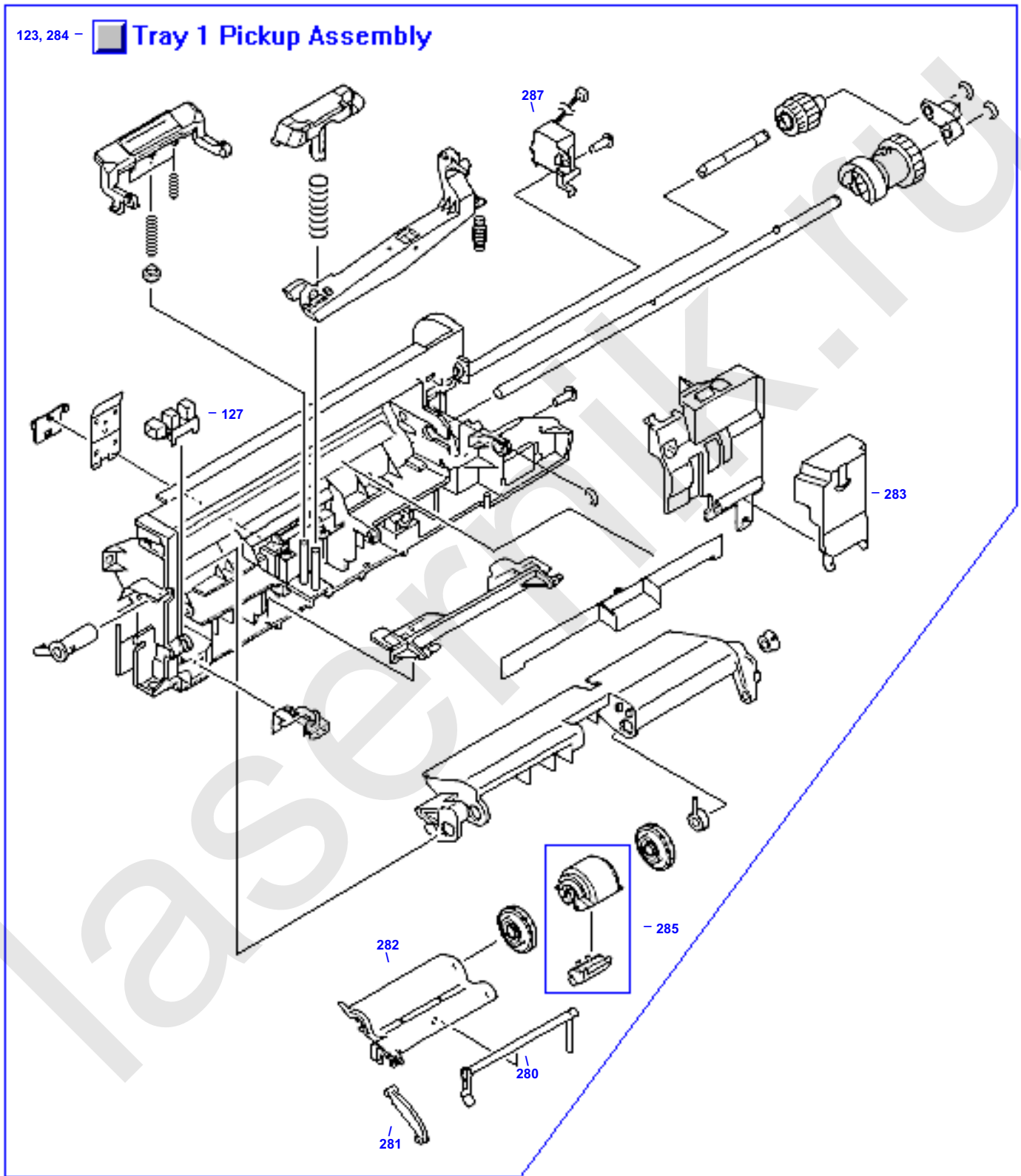
Tray - For Optional 500-Sheet Feeder



Tray 1 Assembly



Tray 1 Pickup Assembly





HP Parts Reference Guide

<http://www.hp.com/go/parts>

HP PartSurfer

<http://partsurfer.hp.com>

HP Parts Ordering Information

<http://www.hp.com/go/hpparts>

HP Parts Questions/Comments

<http://partsurfer.hp.com/contactus.htm>

laser.nik.ru