

Accessories

Table 21. Accessories

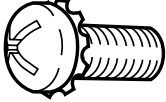
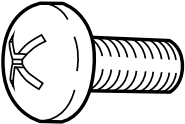
Item	Description	Part number
Dual in-line memory modules (DIMM)	8 MB	C4141A
	16 MB	C4142A
	32 MB	C4143A
	64 MB	C3913A
Toner cartridge		C4092A
Cables and interface accessories	3-meter size C IEEE-1284 parallel cable	C2946A
	10-meter size C IEEE-1284 parallel cable	C2947A
	USB cable	C6518A
	Power cable	8120-8382
	Telephone cable	5040-9078
HP JetDirect Print Servers	70X	J4155A
	170X	J3258B
	300X	J3263
	500X (for a Token Ring network connection)	J3264
	500X (for a BNC, 10Base-T, or 10/100Base-TX network connection)	J3265

Parts exchange program

HP offers remanufactured assemblies for some selected parts.

Common hardware

Table 22. Common fasteners

Example	Description
	Screw, machine, truss head
	Screw, star
	Screw, self-tapping

Assembly locations

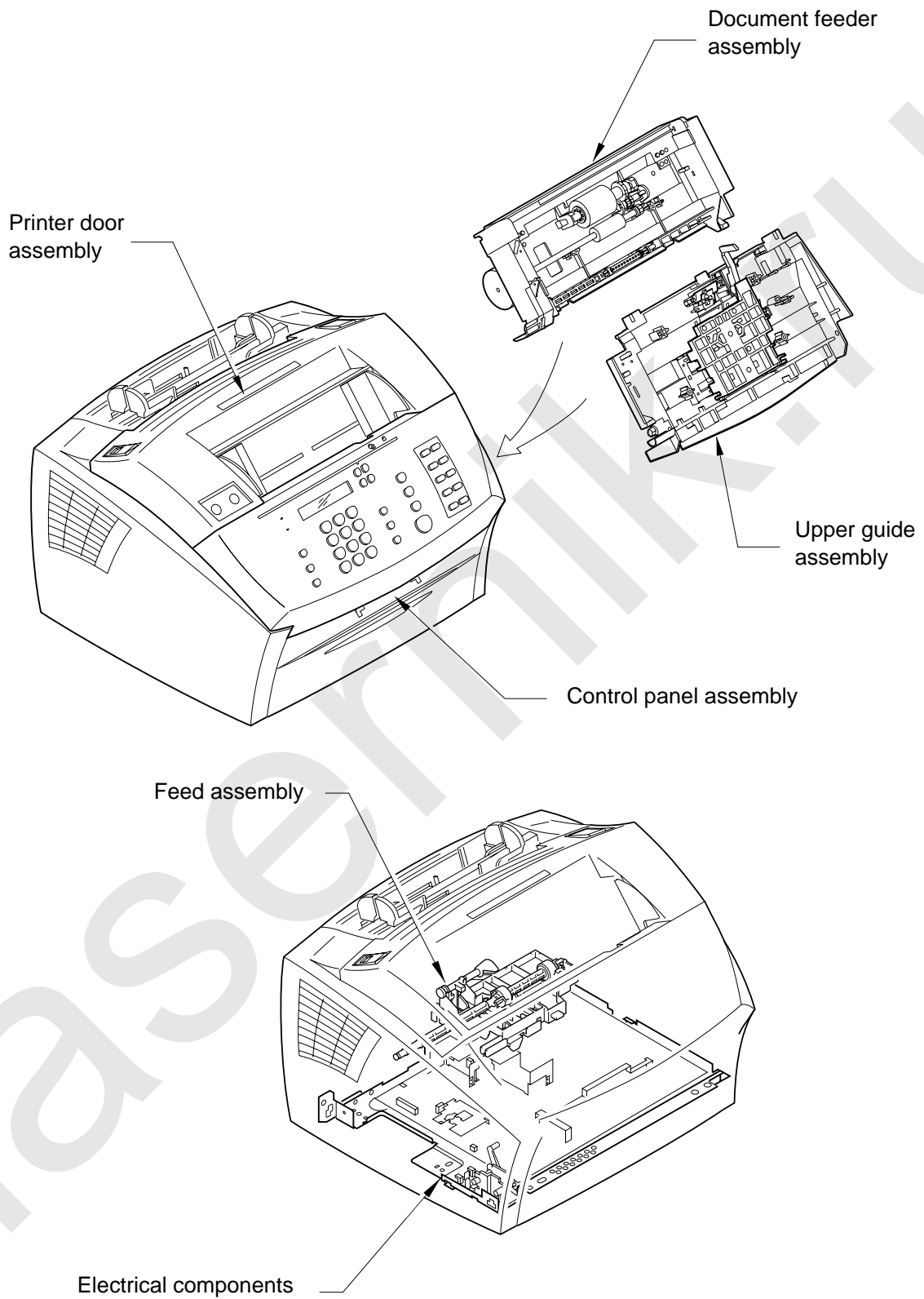


Figure 83. Assembly locations

Covers

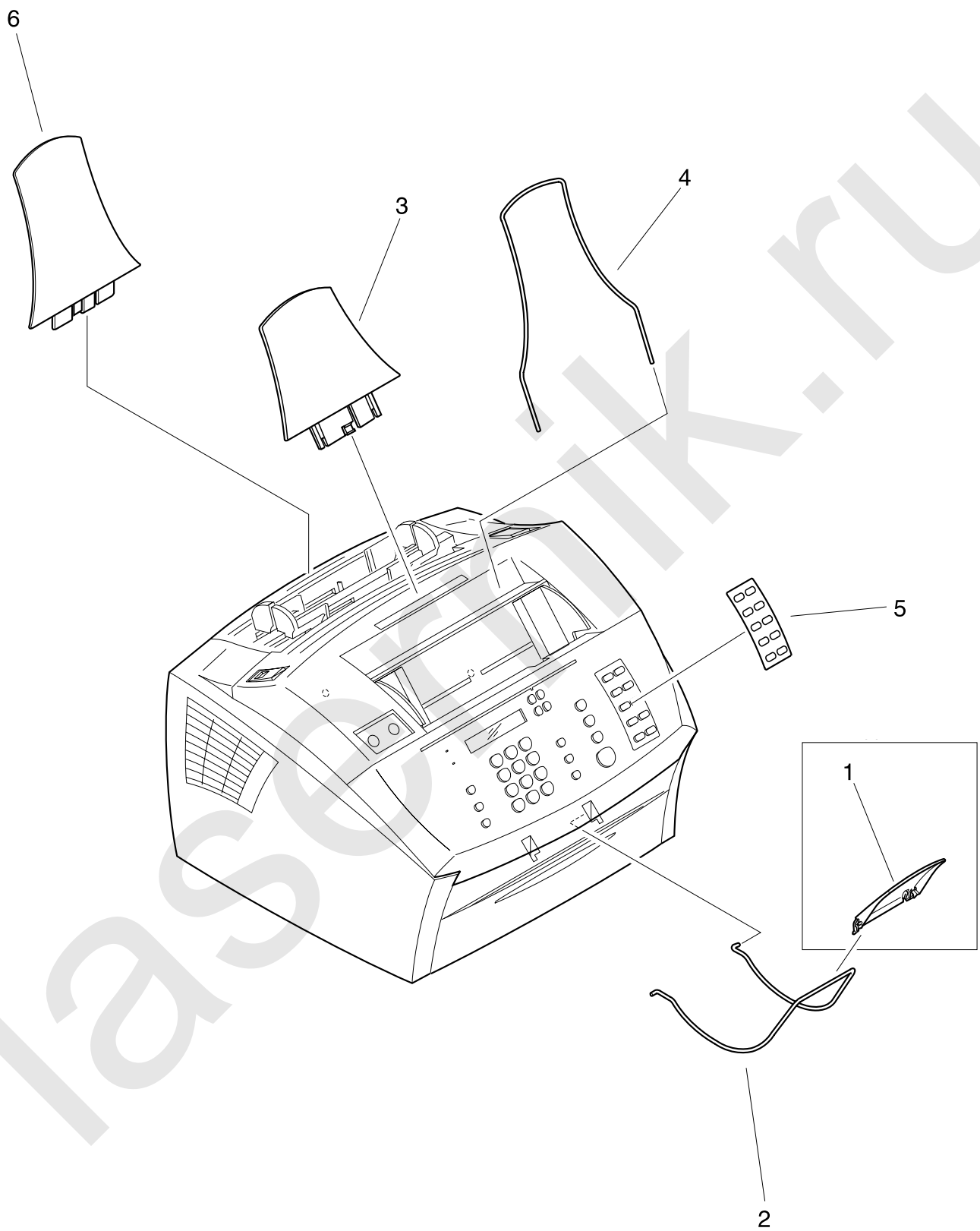


Figure 84. Trays and bins

Trays and bins

Table 23. Trays and bins

Reference	Part number	Description
1	RB2-5407-000CN	Support extension, document output
2	RB2-5412-000CN	Support, document output
3	RB2-5423-000CN	Support, paper output
4	RB2-5437-000CN	Support, document feeder
5	RB2-5471-000CN	Overlay (speed-dial template)
6	RB2-5493-000CN	Support, paper input

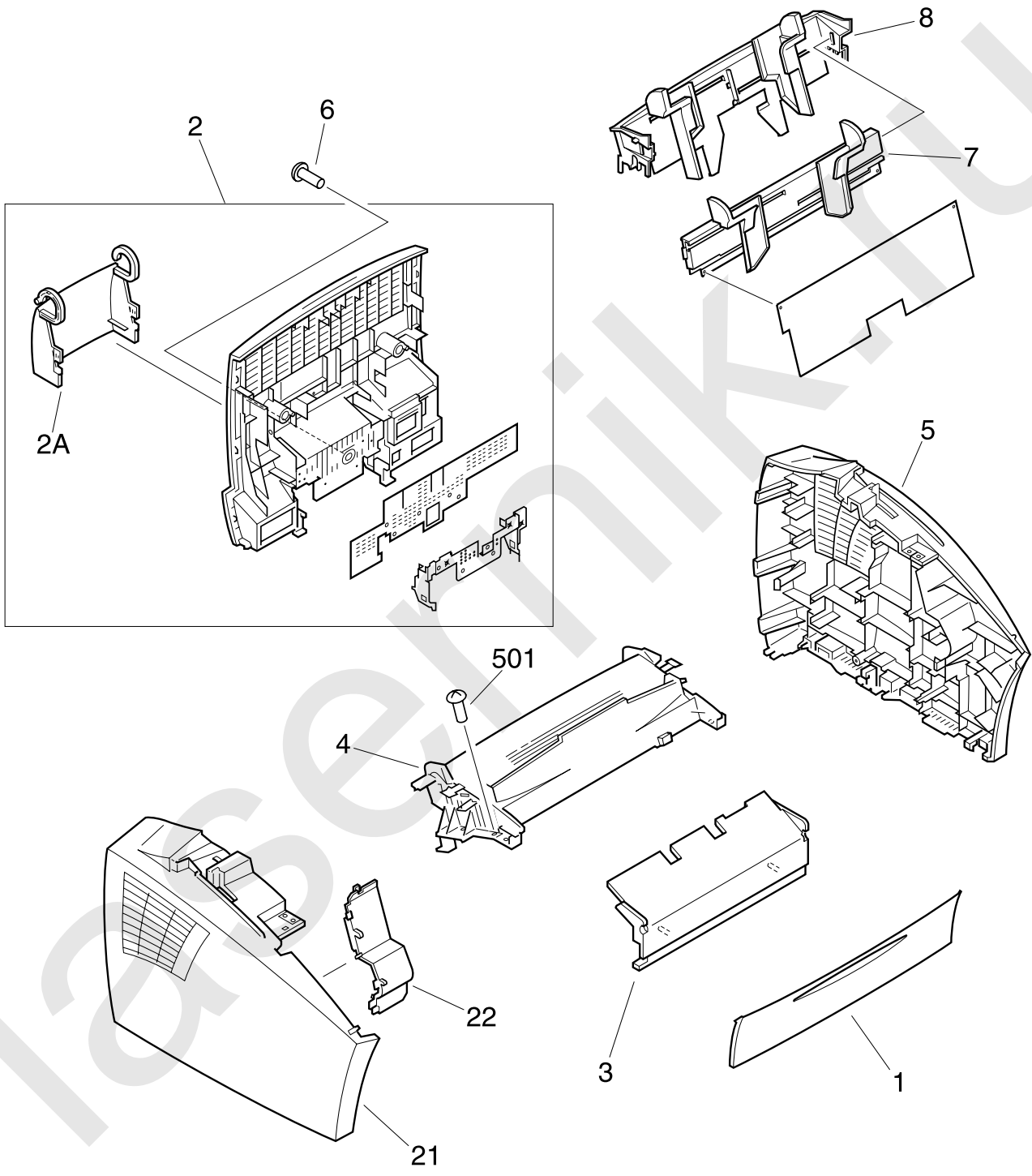


Figure 85. External covers and panels

External covers and panels

Table 24. External covers and panels

Reference	Part number	Description
1	RB2-5434-000CN	Cover, face-up
2	RF5-3232-000CN	Cover, rear
2A	RB2-5485-000CN	Cover, DIMM
3	RB2-5488-000CN	Cover, front
4	RB2-5489-000CN	Cover, top
5	RB2-5490-000CN	Cover, right
6	XA9-0302-000CN	Screw, TP, M3x8
7	RG5-4601-020CN	Single-sheet input tray assembly
8	RG5-5391-000CN	Paper input tray assembly
21	RB2-5491-000CN	Cover, left
22	RB2-5498-000CN	Cover, blanking
501	XB4-7401-209CN	Screw, tapping, truss head, M4X12

Document scanner assemblies

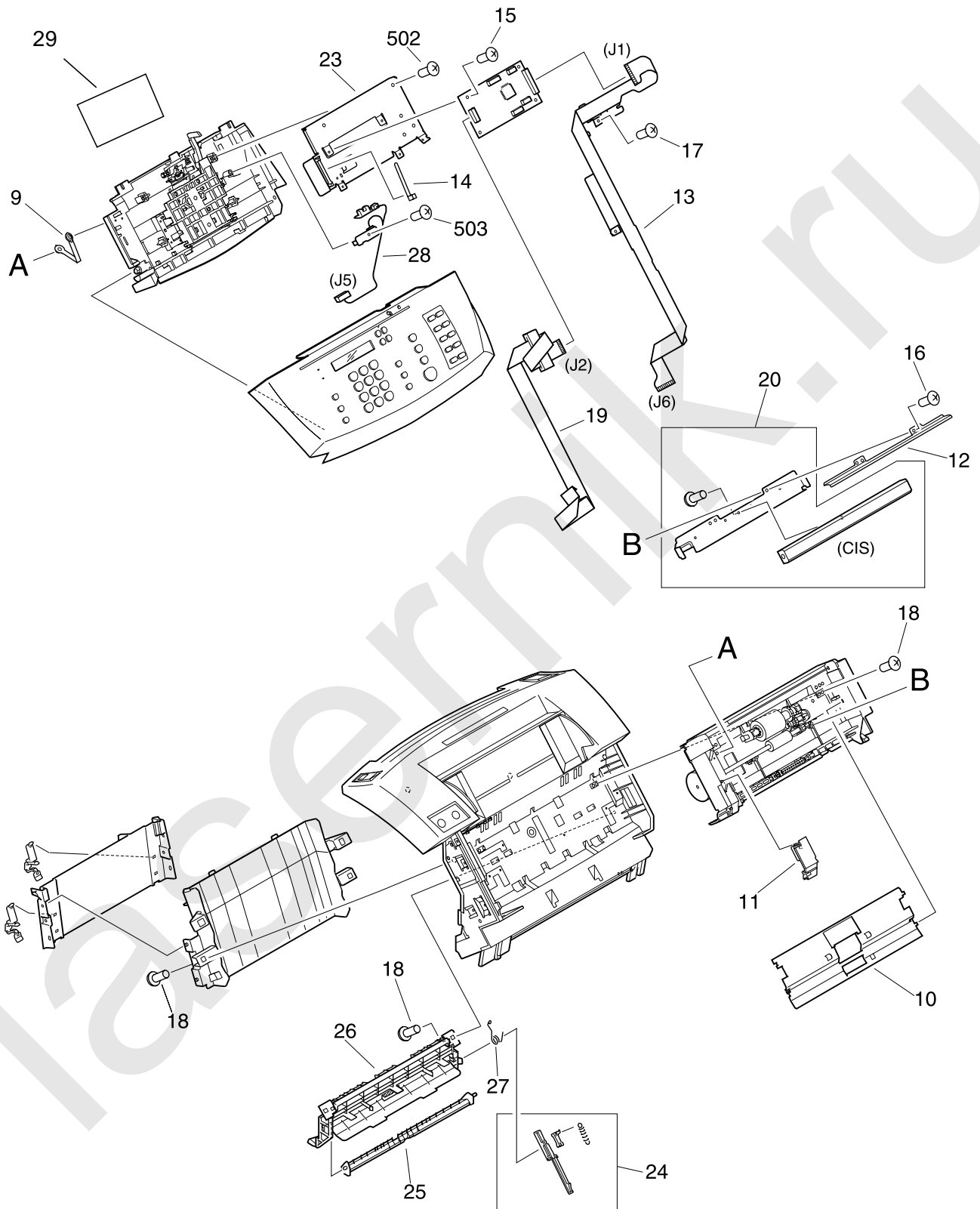


Figure 86. Document scanner assemblies

Document scanner assemblies

Table 25. Document scanner assemblies

Reference	Part number	Description
9	RB2-3354-000CN	Strap, plastic
10	RB2-5405-000CN	Guide, document scanner
11	RB2-5406-000CN	Cover, cable
12	RB2-5410-000CN	Cover, contact image sensor
13	RF5-3236-000CN	Cable, flat
14	WT2-0307-000CN	Cable tie
15	XA9-0267-000CN	Screw, TP, M3X6
16	XA9-0591-000CN	Screw, M3X8
17	XA9-0779-000CN	Screw, w/washer, M3X6
18	XA9-0870-000CN	Screw, M4X10
19	RG5-5405-000CN	Cable, flat
20	RG5-5410-000CN	Contact image sensor assembly
22	RB2-5498-000CN	Cover, blanking
23	RB2-5388-000CN	Plate, shield
24	RG5-5412-000CN	Deflector link assembly
25	RB2-4006-000CN	Deflector
26	RB2-5421-000CN	Guide, paper delivery
27	RS6-2276-000CN	Spring, torsion
28	RG5-5464-000CN	Image scanner sensor, PCB assembly
29	C4262A	Control panel PCB
502	XB4-7401-007CN	Screw, tapping, pan head, M4X10
503	XB4-7300-807CN	Screw, tapping, truss, head, M3X8

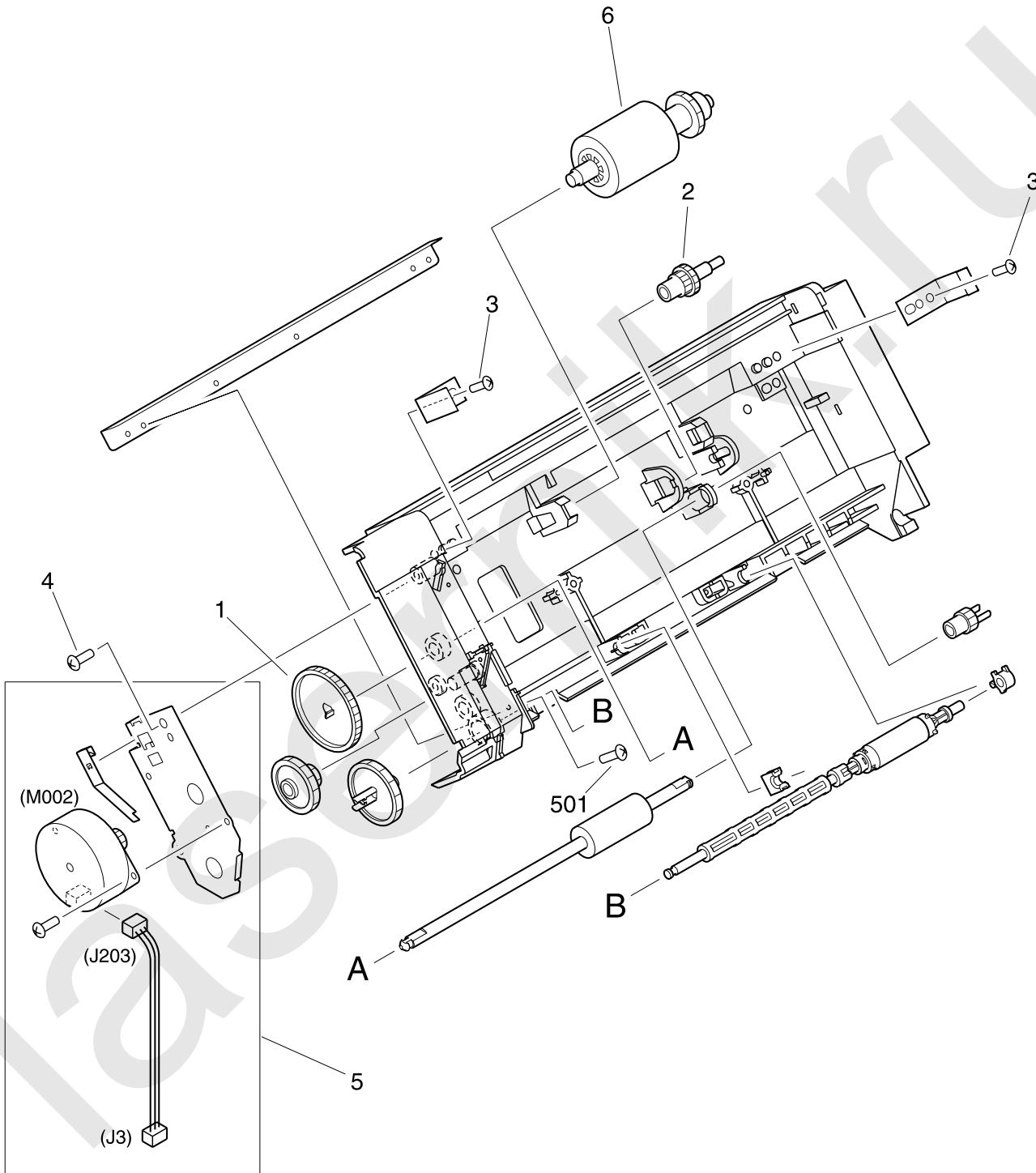


Figure 87. Document feeder

Document feeder

Table 26. Document feeder

Reference	Part number	Description
1	HS5-0250-000CN	Gear, 82T
2	HS5-0253-000CN	Gear, 21T/28T
3	XA9-0591-000CN	Screw, M3X8
4	XA9-0870-000CN	Screw, M4X10
5	RG5-5400-000CN	Motor assembly
6	RG5-5401-000CN	Pickup roller assembly
501	XB2-8301-007CN	Screw, w/washer, M3X10

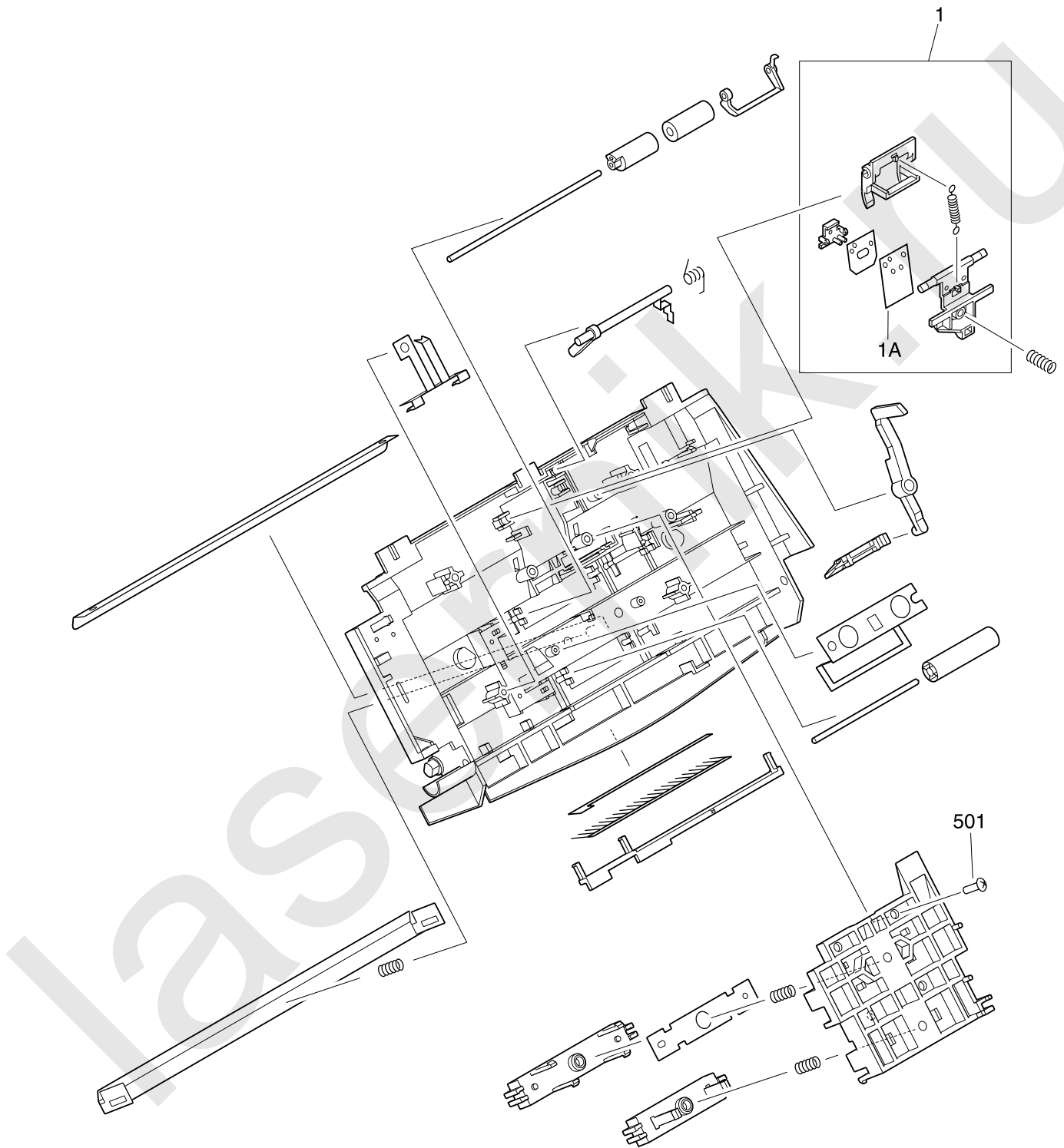


Figure 88. Upper guide assembly

Upper guide assembly

Table 27. Upper guide assembly

Reference	Part number	Description
1	RG5-5404-000CN	Separation assembly
1A	HB1-3035-000CN	Separation pad
501	XB4-7401-007CN	Screw, tapping, pan head, M4X10

Internal assemblies

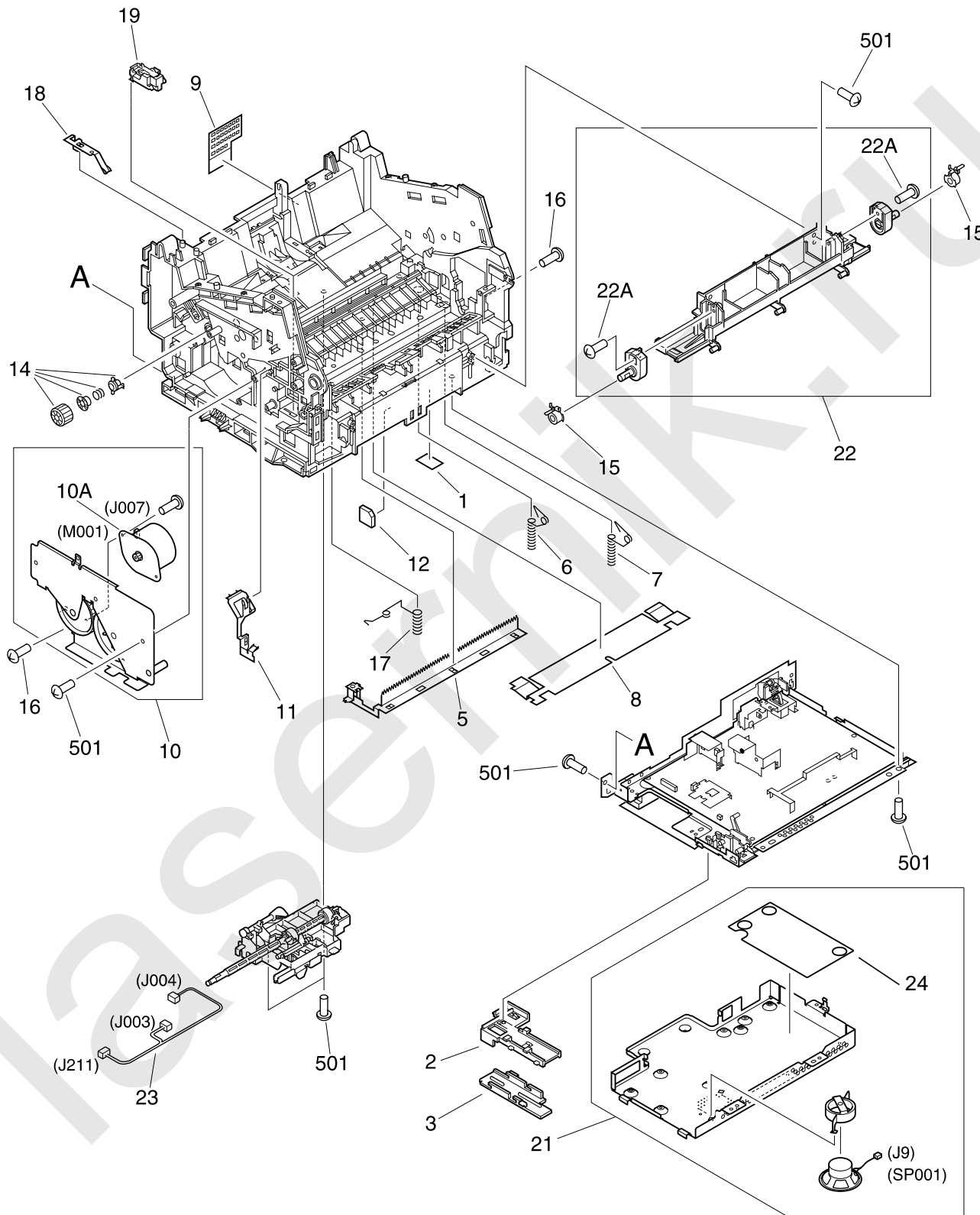


Figure 89. Internal components (1 of 4)

Internal components (1 of 4)

Table 28. Internal components (1 of 4)

Reference	Part number	Description
1	RB2-4324-000CN	Sheet
2	RB2-4017-000CN	Cable holder
3	RB2-4030-000CN	Scanner cable cover
5	RB2-3951-000CN	Static charge eliminator
6	RB2-3952-000CN	Spring, torsion
7	RB2-3953-000CN	Spring, torsion
8	RB2-4054-000CN	Sheet, transfer
9	RB2-4055-000CN	Safety cover
10	RG5-4586-000CN	Drive assembly
10A	RH7-1404-000CN	Motor, stepping
11	RB2-3959-000CN	Spring, leaf, left
12	RB2-4329-000CN	Seal, frame, 2
14	RY7-5051-000CN	Clutch kit
15	RB2-5497-000CN	Hinge clip
16	XA9-0779-000CN	Screw, w/washer, M3X6
17	RB2-4042-000CN	Spring, torsion
18	RB9-0538-000CN	Plate, grounding
19	RF5-2880-000CN	Holder, fixing
21	RG5-5393-000CN	Formatter case assembly
22	RG5-5392-000CN	Hinge support assembly
22A	XB4-7401-007CN	Screw, tapping, pan head, M4X10
23	RG5-4617-000CN	Sensor cable
24	C7052-60004	Line interface unit (LIU)
	C4261A	Formatter (not pictured; see figure 64 on page 138)
501	XB4-7401-007CN	Screw, tapping, pan head, M4X10

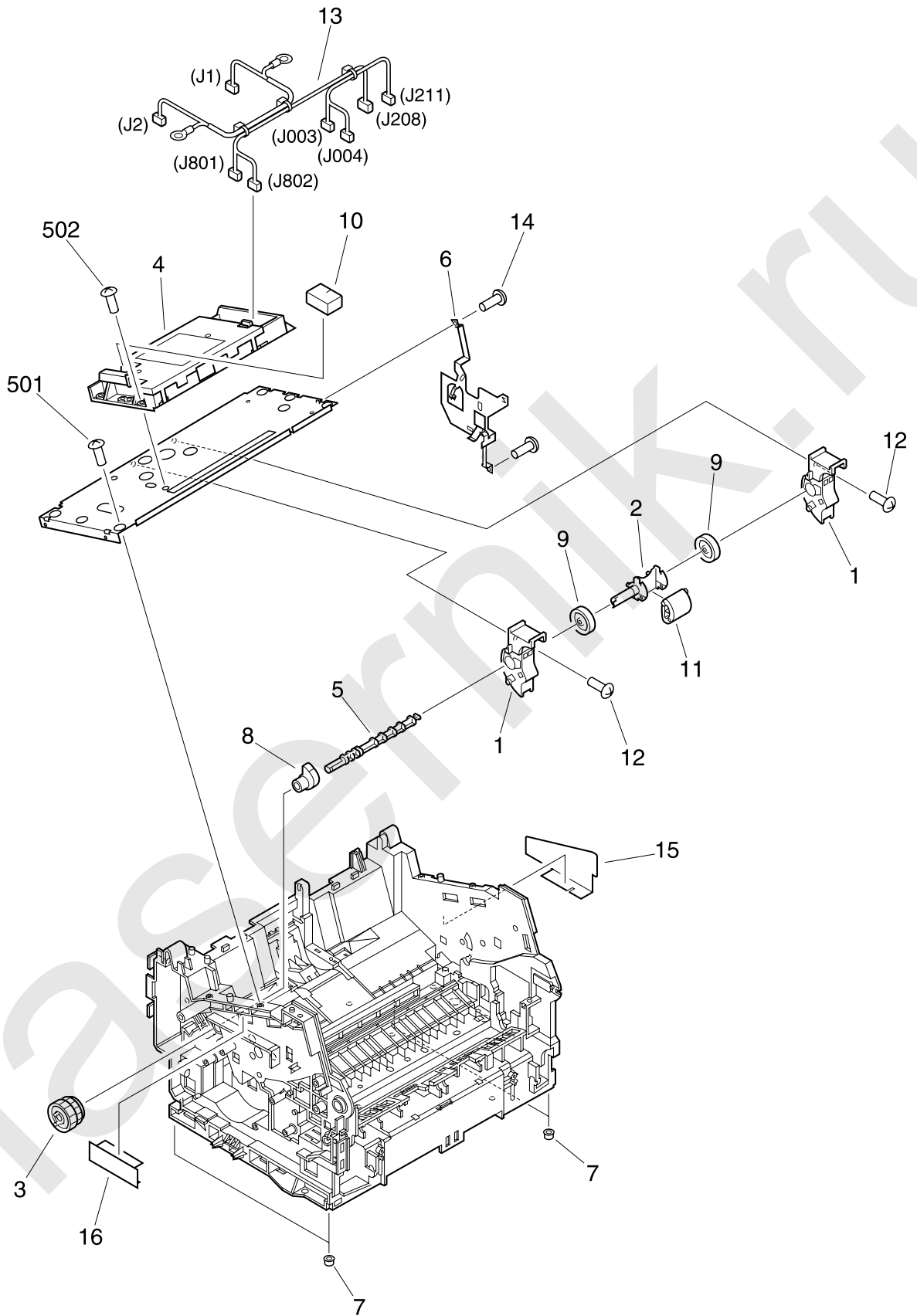


Figure 90. Internal components (2 of 4)

Internal components (2 of 4)

Table 29. Internal components (2 of 4)

Reference	Part number	Description
1	RG5-4584-000CN	Roller holder assembly
2	RB2-3930-000CN	Shaft, pickup roller
3	RG5-4585-020CN	Gear assembly
4	RG5-5421-000CN	Laser/scanner assembly
5	RB2-3943-000CN	Shaft
6	RB2-3944-000CN	Spring, leaf
7	RB2-3945-000CN	Foot
8	RB2-3949-000CN	Cam
9	RB2-3931-000CN	Roller
10	RB2-3904-000CN	Cover, foamy
11	RB2-4026-000CN	Roller, pickup
12	XA9-0267-000CN	Screw, TP, M3X6
13	RG5-5415-000CN	Scanner cable
14	XA9-0653-000CN	Screw, w/star washer, M3X6
15	RB2-5501-000CN	Sheet, light-blocking
16	RB2-5500-000CN	Sheet, light-blocking
501	XB4-7401-007CN	Screw
502	XB6-7300-807CN	Screw

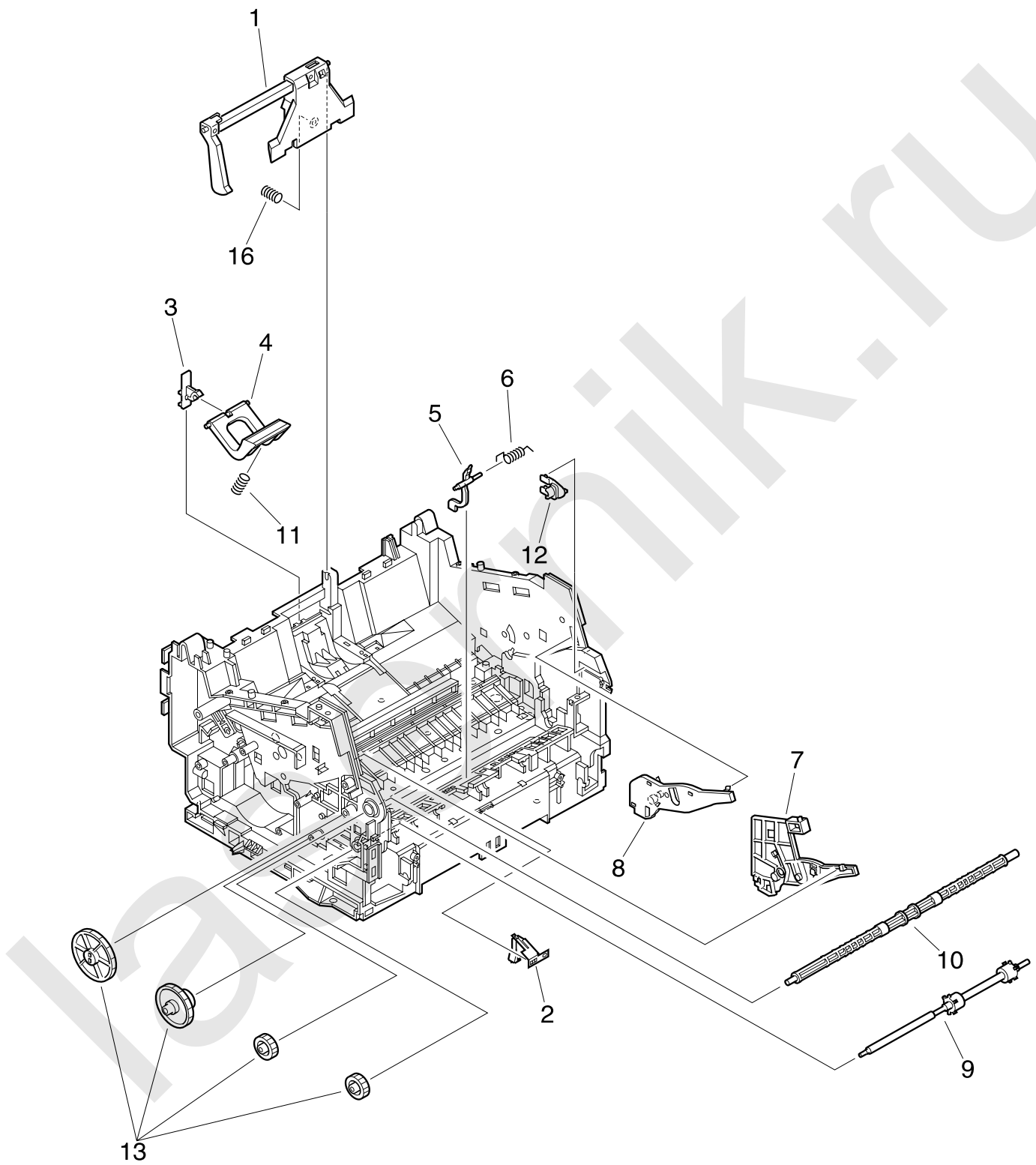


Figure 91. Internal components (3 of 4)

Internal components (3 of 4)

Table 30. Internal components (3 of 4)

Reference	Part number	Description
1	RG5-4582-060CN	Paper guide plate assembly
2	RB2-4219-000CN	Plate, grounding
3	RB2-3947-000CN	Holder, pad
4	RF5-2832-000CN	Arm, pad
5	RB2-3960-000CN	Flag, sensor
6	RB2-3961-000CN	Spring, torsion
7	RF5-2818-000CN	Guide, cartridge, left
8	RF5-2819-000CN	Guide, cartridge, right
9	RF5-2822-000CN	Roller, face-up
10	RF5-2830-000CN	Roller, face-down
11	RS5-2502-000CN	Spring, compression
12	RB2-4016-020CN	Stop, slide
13	RY7-5049-000CN	Gear kit
16	RS6-2122-000CN	Spring, compression

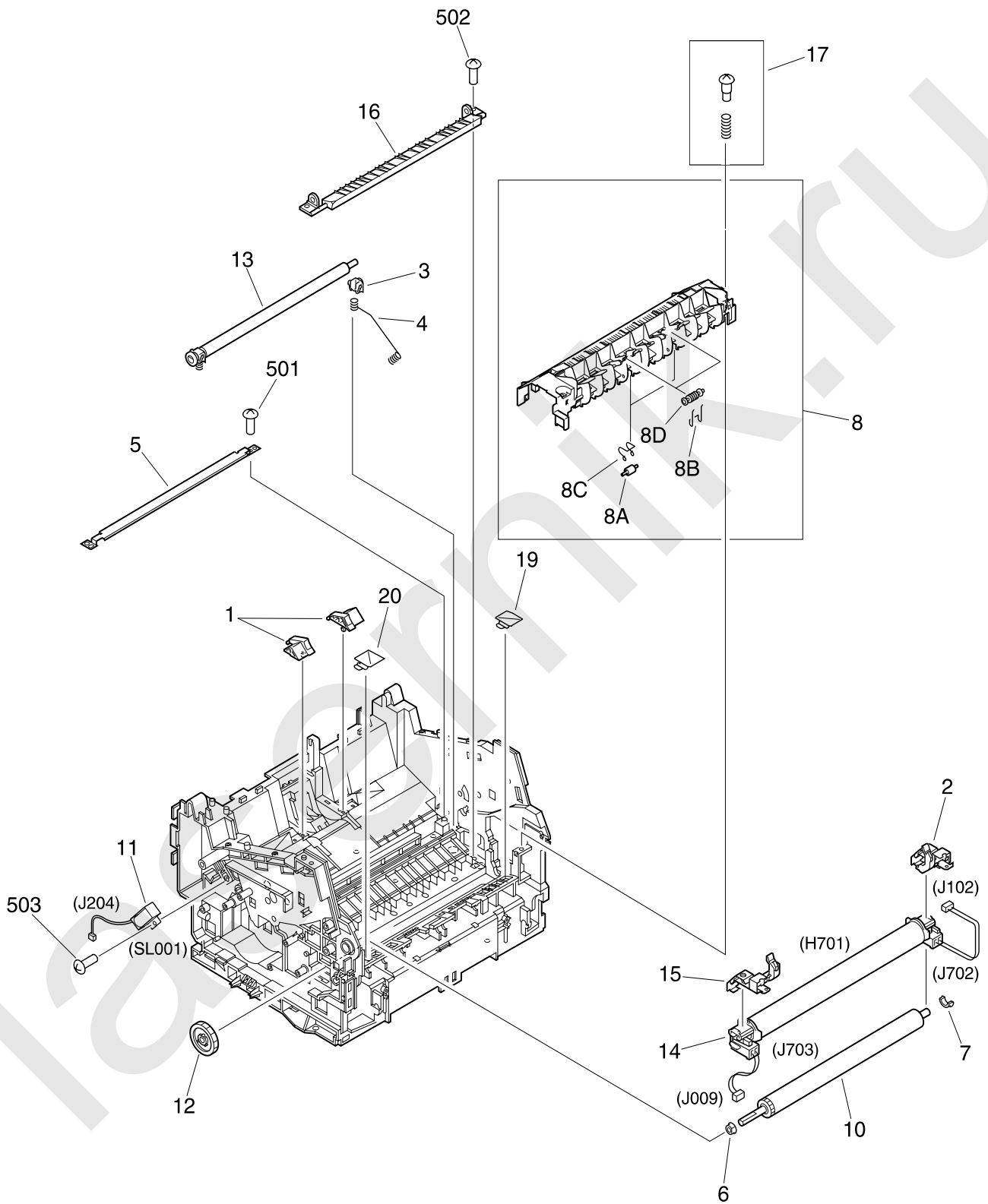


Figure 92. Internal components (4 of 4)

Internal components (4 of 4)

Table 31. Internal components (4 of 4)

Reference	Part number	Description
1	RY7-5050-020CN	Subpad kit (includes left and right)
2	RG5-5388-000CN	Metal clip, fusing element (right)
3	RB2-3939-020CN	Bushing, right
4	RB2-3940-000CN	Spring, compression
5	RB2-3950-000CN	Guide, transfer
6	RB2-3956-000CN	Bushing, left
7	RB2-3957-060CN	Bushing, right
8	RG5-4593-000CN	Delivery assembly
8A	RB2-4222-000CN	Roller, face up
8B	RB1-7286-000CN	Spring, wire
8C	RB1-7287-000CN	Spring, wire
8D	RB2-4223-000CN	Roller, face down
10	RF5-2823-020CN	Roller, pressure
11	RH7-5227-000CN	Solenoid
12	Part of gear kit, part number RY7-5049-000CN on page 221.	
13	RG5-4657-020CN	Transfer assembly
14	RG5-4589-040CN	Fusing element
15	RG5-5387-000CN	Metal clip, fusing element (left)
16	RB2-3958-030CN	Guide, fusing element
17	RY7-5060-000CN	Screw kit, delivery assembly
19	RB2-4432-000CN	Sub guide, right
20	RB2-4431-000CN	Sub guide, left
501	XB4-7400-805CN	Screw, tapping, truss head, M4x
502	XB4-7401-209CN	Screw, tapping, truss head, M4x12
503	XB4-7401-007CN	Screw, tapping, pan head, M4X10

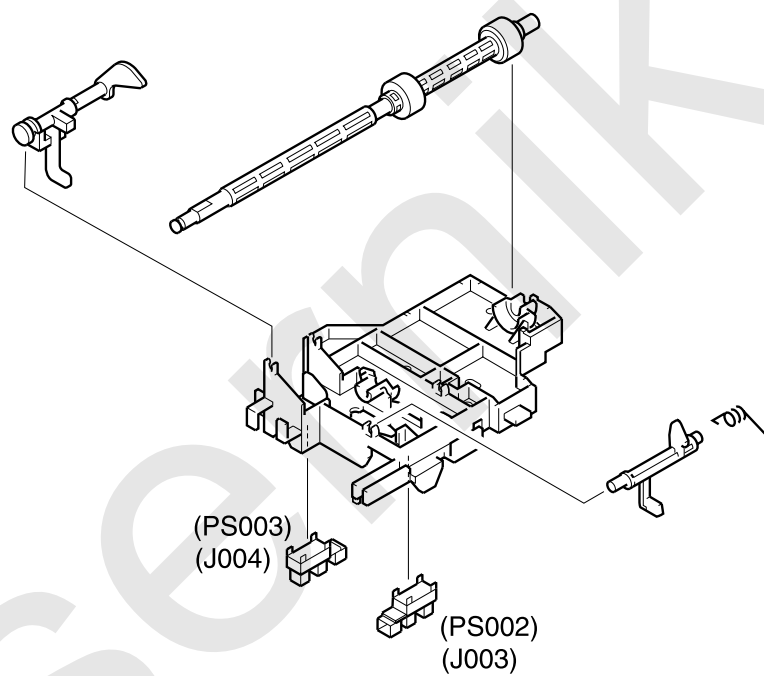


Figure 93. Feeder assembly

Feeder assembly

Table 32. Feeder assembly

Reference	Part number	Description
	RG5-4581-000CN	Feeder assembly

laser.nik.ru

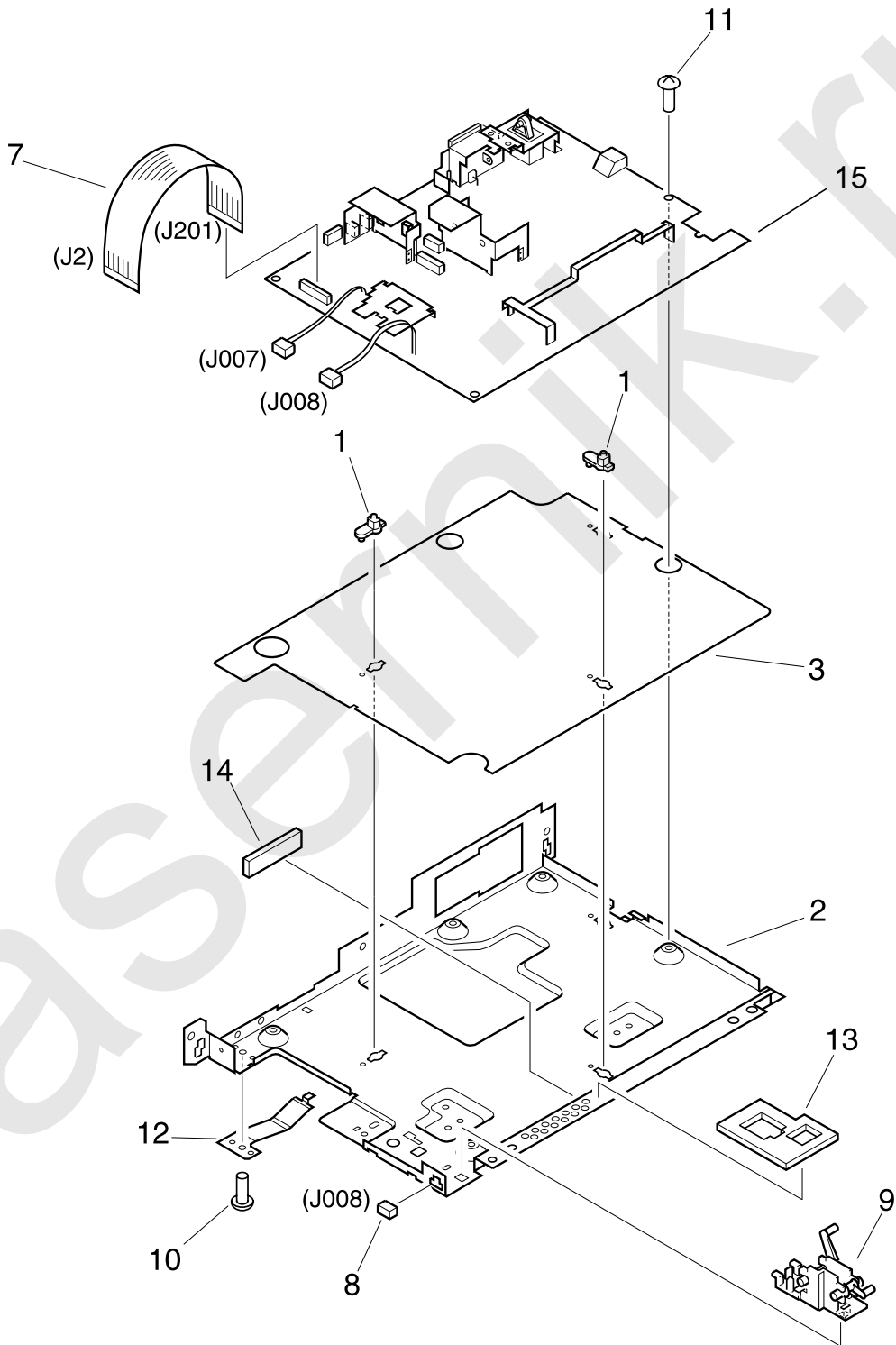


Figure 94. Electrical components

Electrical components

Table 33. Electrical components

Reference	Part number	Description
1	RB1-7303-000CN	Spacer
2	RB2-3984-000CN	ECU pan
3	RB2-3985-000CN	Sheet, insulating
7	RH2-5381-000CN	Cable, flat
8	VS1-5057-002CN	Connector, 2P
9	RG5-4599-030CN	Door sensor assembly
10	XA9-0653-000CN	Screw, w/star washer, M3X6
11	XA9-0951-000CN	Screw, w/washer, M3X8
12	RB2-4049-000CN	Plate, grounding
13	RB2-4327-000CN	Seal, sensor, 1
14	RB2-4328-000CN	Seal, sensor, 2
15	RG5-5395-000CN	ECU

Alphabetical parts list

Table 34. Alphabetical parts list

Description	Part number	Ref.	Figure
Arm, pad	RF5-2832-000CN	4	91
Bushing, left	RB2-3956-000CN	6	92
Bushing, right	RB2-3939-020CN	3	92
Bushing, right	RB2-3957-060CN	7	92
Cable holder	RB2-4017-000CN	2	89
Cable tie	WT2-0307-000CN	14	86
Cable, flat	RF5-3236-000CN	13	86
Cable, flat	RG5-5405-000CN	19	86
Cable, flat	RH2-5381-000CN	7	94
Cam	RB2-3949-000CN	8	90
Clutch kit	RY7-5051-000CN	14	89
Connector, 2P	VS1-5057-002CN	8	94
Contact image sensor assembly	RG5-5410-000CN	20	86
Control panel PCB	C4262A	29	86
Cover, blanking	RB2-5498-000CN	22	85
Cover, blanking	RB2-5498-000CN	22	86
Cover, cable	RB2-5406-000CN	11	86
Cover, contact image sensor	RB2-5410-000CN	12	86
Cover, DIMM	RB2-5485-000CN	2A	85
Cover, face-up	RB2-5434-000CN	1	85
Cover, foamy	RB2-3904-000CN	10	90
Cover, front	RB2-5488-000CN	3	85
Cover, left	RB2-5491-000CN	21	85
Cover, rear	RF5-3232-000CN	2	85
Cover, right	RB2-5490-000CN	5	85
Cover, top	RB2-5489-000CN	4	85
Deflector	RB2-4006-000CN	25	86
Deflector link assembly	RG5-5412-000CN	24	86
Delivery assembly	RG5-4593-000CN	8	92
Door sensor assembly	RG5-4599-030CN	9	94
Drive assembly	RG5-4586-000CN	10	89
ECU	RG5-5395-000CN	15	94

Table 34. Alphabetical parts list

Description	Part number	Ref.	Figure
ECU pan	RB2-3984-000CN	2	94
Feeder assembly	RG5-4581-000CN		93
Flag, sensor	RB2-3960-000CN	5	91
Foot	RB2-3945-000CN	7	90
Formatter	C4261A		89
Formatter case assembly	RG5-5393-000CN	21	89
Fusing element	RG5-4589-040CN	14	92
Gear	(see gear kit)	12	92
Gear assembly	RG5-4585-020CN	3	90
Gear kit	RY7-5049-000CN	13	91
Gear, 21T/28T	HS5-0253-000CN	2	87
Gear, 82T	HS5-0250-000CN	1	87
Guide, cartridge, left	RF5-2818-000CN	7	91
Guide, cartridge, right	RF5-2819-000CN	8	91
Guide, document scanner	RB2-5405-000CN	10	86
Guide, fusing element	RB2-3958-030CN	16	92
Guide, paper delivery	RB2-5421-000CN	26	86
Guide, transfer	RB2-3950-000CN	5	92
Hinge clip	RB2-5497-000CN	15	89
Hinge support assembly	RG5-5392-000CN	22	89
Holder, fixing	RF5-2880-000CN	19	89
Holder, pad	RB2-3947-000CN	3	91
Image scanner sensor, PCB assembly	RG5-5464-000CN	28	86
Laser/scanner assembly	RG5-5421-000CN	4	90
Line interface unit (LIU)	C7052-60004	24	89
Metal clip, fusing element (left)	RG5-5387-000CN	15	92
Metal clip, fusing element (right)	RG5-5388-000CN	2	92
Motor assembly	RG5-5400-000CN	5	87
Motor, stepping	RH7-1404-000CN	10A	89
Overlay (speed-dial template)	RB2-5471-000CN	5	84
Paper guide plate assembly	RG5-4582-060CN	1	91
Paper input tray assembly	RG5-5391-000CN	8	85
Pickup roller assembly	RG5-5401-000CN	6	87
Plate, grounding	RB9-0538-000CN	18	89
Plate, grounding	RB2-4219-000CN	2	91

Table 34. Alphabetical parts list

Description	Part number	Ref.	Figure
Plate, grounding	RB2-4049-000CN	12	94
Plate, shield	RB2-5388-000CN	23	86
Roller	RB2-3931-000CN	9	90
Roller holder assembly	RG5-4584-000CN	1	90
Roller, face down	RB2-4223-000CN	8D	92
Roller, face up	RB2-4222-000CN	8A	92
Roller, face-down	RF5-2830-000CN	10	91
Roller, face-up	RF5-2822-000CN	9	91
Roller, pickup	RB2-4026-000CN	11	90
Roller, pressure	RF5-2823-020CN	10	92
Safety cover	RB2-4055-000CN	9	89
Scanner cable	RG5-5415-000CN	13	90
Scanner cable cover	RB2-4030-000CN	3	89
Screw	XB4-7401-007CN	501	90
Screw	XB6-7300-807CN	502	90
Screw kit, delivery assembly	RY7-5060-000CN	17	92
Screw, M3X8	XA9-0591-000CN	16	86
Screw, M3X8	XA9-0591-000CN	3	87
Screw, M4X10	XA9-0870-000CN	18	86
Screw, M4X10	XA9-0870-000CN	4	87
Screw, tapping, pan head, M4X10	XB4-7401-007CN	502	86
Screw, tapping, pan head, M4X10	XB4-7401-007CN	501	88
Screw, tapping, pan head, M4X10	XB4-7401-007CN	501	89
Screw, tapping, pan head, M4X10	XB4-7401-007CN	22A	89
Screw, tapping, pan head, M4X10	XB4-7401-007CN	503	92
Screw, tapping, truss head, M4x	XB4-7400-805CN	501	92
Screw, tapping, truss head, M4x12	XB4-7401-209CN	502	92
Screw, tapping, truss head, M4X12	XB4-7401-209CN	501	85
Screw, tapping, truss, head, M3X8	XB4-7300-807CN	503	86
Screw, TP, M3X6	XA9-0267-000CN	15	86
Screw, TP, M3X6	XA9-0267-000CN	12	90
Screw, TP, M3x8	XA9-0302-000CN	6	85
Screw, w/star washer, M3X6	XA9-0653-000CN	14	90
Screw, w/star washer, M3X6	XA9-0653-000CN	10	94
Screw, w/washer, M3X10	XB2-8301-007CN	501	87

Table 34. Alphabetical parts list

Description	Part number	Ref.	Figure
Screw, w/washer, M3X6	XA9-0779-000CN	17	86
Screw, w/washer, M3X6	XA9-0779-000CN	16	89
Screw, w/washer, M3X8	XA9-0951-000CN	11	94
Seal, frame, 2	RB2-4329-000CN	12	89
Seal, sensor, 1	RB2-4327-000CN	13	94
Seal, sensor, 2	RB2-4328-000CN	14	94
Sensor cable	RG5-4617-000CN	23	89
Separation assembly	RG5-5404-000CN	1	88
Separation pad	HB1-3035-000CN	1A	88
Shaft	RB2-3943-000CN	5	90
Shaft, pickup roller	RB2-3930-000CN	2	90
Sheet	RB2-4324-000CN	1	89
Sheet, insulating	RB2-3985-000CN	3	94
Sheet, light-blocking	RB2-5501-000CN	15	90
Sheet, light-blocking	RB2-5500-000CN	16	90
Sheet, transfer	RB2-4054-000CN	8	89
Single-sheet input tray assembly	RG5-4601-020CN	7	85
Solenoid	RH7-5227-000CN	11	92
Spacer	RB1-7303-000CN	1	94
Spring, compression	RS5-2502-000CN	11	91
Spring, compression	RS6-2122-000CN	16	91
Spring, compression	RB2-3940-000CN	4	92
Spring, leaf	RB2-3944-000CN	6	90
Spring, leaf, left	RB2-3959-000CN	11	89
Spring, torsion	RS6-2276-000CN	27	86
Spring, torsion	RB2-3952-000CN	6	89
Spring, torsion	RB2-3953-000CN	7	89
Spring, torsion	RB2-4042-000CN	17	89
Spring, torsion	RB2-3961-000CN	6	91
Spring, wire	RB1-7286-000CN	8B	92
Spring, wire	RB1-7287-000CN	8C	92
Static charge eliminator	RB2-3951-000CN	5	89
Stop, slide	RB2-4016-020CN	12	91
Strap, plastic	RB2-3354-000CN	9	86
Sub guide, left	RB2-4431-000CN	20	92

Table 34. Alphabetical parts list

Description	Part number	Ref.	Figure
Sub guide, right	RB2-4432-000CN	19	92
Subpad kit (includes left and right)	RY7-5050-020CN	1	92
Support extension, document output	RB2-5407-000CN	1	84
Support, document feeder	RB2-5437-000CN	4	84
Support, document output	RB2-5412-000CN	2	84
Support, paper input	RB2-5493-000CN	6	84
Support, paper output	RB2-5423-000CN	3	84
Transfer assembly	RG5-4657-020CN	13	92

Numerical parts list

Table 35. Numerical parts list

Part number	Description	Ref.	Figure
C4261A	Formatter		89
C4262A	Control panel PCB	29	86
C7052-60004	Line interface unit (LIU)	24	89
HB1-3035-000CN	Separation pad	1A	88
HS5-0250-000CN	Gear, 82T	1	87
HS5-0253-000CN	Gear, 21T/28T	2	87
RB1-7286-000CN	Spring, wire	8B	92
RB1-7287-000CN	Spring, wire	8C	92
RB1-7303-000CN	Spacer	1	94
RB2-3354-000CN	Strap, plastic	9	86
RB2-3904-000CN	Cover, foamy	10	90
RB2-3930-000CN	Shaft, pickup roller	2	90
RB2-3931-000CN	Roller	9	90
RB2-3939-020CN	Bushing, right	3	92
RB2-3940-000CN	Spring, compression	4	92
RB2-3943-000CN	Shaft	5	90
RB2-3944-000CN	Spring, leaf	6	90
RB2-3945-000CN	Foot	7	90
RB2-3947-000CN	Holder, pad	3	91
RB2-3949-000CN	Cam	8	90
RB2-3950-000CN	Guide, transfer	5	92
RB2-3951-000CN	Static charge eliminator	5	89
RB2-3952-000CN	Spring, torsion	6	89
RB2-3953-000CN	Spring, torsion	7	89
RB2-3956-000CN	Bushing, left	6	92
RB2-3957-060CN	Bushing, right	7	92
RB2-3958-030CN	Guide, fusing element	16	92
RB2-3959-000CN	Spring, leaf, left	11	89
RB2-3960-000CN	Flag, sensor	5	91
RB2-3961-000CN	Spring, torsion	6	91
RB2-3984-000CN	ECU pan	2	94
RB2-3985-000CN	Sheet, insulating	3	94

Table 35. Numerical parts list

Part number	Description	Ref.	Figure
RB2-4006-000CN	Deflector	25	86
RB2-4016-020CN	Stop, slide	12	91
RB2-4017-000CN	Cable holder	2	89
RB2-4026-000CN	Roller, pickup	11	90
RB2-4030-000CN	Scanner cable cover	3	89
RB2-4042-000CN	Spring, torsion	17	89
RB2-4049-000CN	Plate, grounding	12	94
RB2-4054-000CN	Sheet, transfer	8	89
RB2-4055-000CN	Safety cover	9	89
RB2-4219-000CN	Plate, grounding	2	91
RB2-4222-000CN	Roller, face up	8A	92
RB2-4223-000CN	Roller, face down	8D	92
RB2-4324-000CN	Sheet	1	89
RB2-4327-000CN	Seal, sensor, 1	13	94
RB2-4328-000CN	Seal, sensor, 2	14	94
RB2-4329-000CN	Seal, frame, 2	12	89
RB2-4431-000CN	Sub guide, left	20	92
RB2-4432-000CN	Sub guide, right	19	92
RB2-5388-000CN	Plate, shield	23	86
RB2-5405-000CN	Guide, document scanner	10	86
RB2-5406-000CN	Cover, cable	11	86
RB2-5407-000CN	Support extension, document output	1	84
RB2-5410-000CN	Cover, contact image sensor	12	86
RB2-5412-000CN	Support, document output	2	84
RB2-5421-000CN	Guide, paper delivery	26	86
RB2-5423-000CN	Support, paper output	3	84
RB2-5434-000CN	Cover, face-up	1	85
RB2-5437-000CN	Support, document feeder	4	84
RB2-5471-000CN	Overlay (speed-dial template)	5	84
RB2-5485-000CN	Cover, DIMM	2A	85
RB2-5488-000CN	Cover, front	3	85
RB2-5489-000CN	Cover, top	4	85
RB2-5490-000CN	Cover, right	5	85
RB2-5491-000CN	Cover, left	21	85
RB2-5493-000CN	Support, paper input	6	84

Table 35. Numerical parts list

Part number	Description	Ref.	Figure
RB2-5497-000CN	Hinge clip	15	89
RB2-5498-000CN	Cover, blanking	22	85
RB2-5498-000CN	Cover, blanking	22	86
RB2-5500-000CN	Sheet, light-blocking	16	90
RB2-5501-000CN	Sheet, light-blocking	15	90
RB9-0538-000CN	Plate, grounding	18	89
RF5-2818-000CN	Guide, cartridge, left	7	91
RF5-2819-000CN	Guide, cartridge, right	8	91
RF5-2822-000CN	Roller, face-up	9	91
RF5-2823-020CN	Roller, pressure	10	92
RF5-2830-000CN	Roller, face-down	10	91
RF5-2832-000CN	Arm, pad	4	91
RF5-2880-000CN	Holder, fixing	19	89
RF5-3232-000CN	Cover, rear	2	85
RF5-3236-000CN	Cable, flat	13	86
RG5-4581-000CN	Feeder assembly		93
RG5-4582-060CN	Paper guide plate assembly	1	91
RG5-4584-000CN	Roller holder assembly	1	90
RG5-4585-020CN	Gear assembly	3	90
RG5-4586-000CN	Drive assembly	10	89
RG5-4589-040CN	Fusing element	14	92
RG5-4593-000CN	Delivery assembly	8	92
RG5-4599-030CN	Door sensor assembly	9	94
RG5-4601-020CN	Single-sheet input tray assembly	7	85
RG5-4617-000CN	Sensor cable	23	89
RG5-4657-020CN	Transfer assembly	13	92
RG5-5387-000CN	Metal clip, fusing element (left)	15	92
RG5-5388-000CN	Metal clip, fusing element (right)	2	92
RG5-5391-000CN	Paper input tray assembly	8	85
RG5-5392-000CN	Hinge support assembly	22	89
RG5-5393-000CN	Formatter case assembly	21	89
RG5-5395-000CN	ECU	15	94
RG5-5400-000CN	Motor assembly	5	87
RG5-5401-000CN	Pickup roller assembly	6	87
RG5-5404-000CN	Separation assembly	1	88

Table 35. Numerical parts list

Part number	Description	Ref.	Figure
RG5-5405-000CN	Cable, flat	19	86
RG5-5410-000CN	Contact image sensor assembly	20	86
RG5-5412-000CN	Deflector link assembly	24	86
RG5-5415-000CN	Scanner cable	13	90
RG5-5421-000CN	Laser/scanner assembly	4	90
RG5-5464-000CN	Image scanner sensor, PCB assembly	28	86
RH2-5381-000CN	Cable, flat	7	94
RH7-1404-000CN	Motor, stepping	10A	89
RH7-5227-000CN	Solenoid	11	92
RS5-2502-000CN	Spring, compression	11	91
RS6-2122-000CN	Spring, compression	16	91
RS6-2276-000CN	Spring, torsion	27	86
RY7-5049-000CN	Gear kit	13	91
RY7-5050-020CN	Subpad kit (includes left and right)	1	92
RY7-5051-000CN	Clutch kit	14	89
RY7-5060-000CN	Screw kit, delivery assembly	17	92
VS1-5057-002CN	Connector, 2P	8	94
WT2-0307-000CN	Cable tie	14	86
XA9-0267-000CN	Screw, TP, M3X6	15	86
XA9-0267-000CN	Screw, TP, M3X6	12	90
XA9-0302-000CN	Screw, TP, M3x8	6	85
XA9-0591-000CN	Screw, M3X8	16	86
XA9-0591-000CN	Screw, M3X8	3	87
XA9-0653-000CN	Screw, w/star washer, M3X6	14	90
XA9-0653-000CN	Screw, w/star washer, M3X6	10	94
XA9-0779-000CN	Screw, w/washer, M3X6	17	86
XA9-0779-000CN	Screw, w/washer, M3X6	16	89
XA9-0870-000CN	Screw, M4X10	18	86
XA9-0870-000CN	Screw, M4X10	4	87
XA9-0951-000CN	Screw, w/washer, M3X8	11	94
XB2-8301-007CN	Screw, w/washer, M3X10	501	87
XB4-7300-807CN	Screw, tapping, truss, head, M3X8	503	86
XB4-7400-805CN	Screw, tapping, truss head, M4x	501	92
XB4-7401-007CN	Screw, tapping, pan head, M4X10	502	86
XB4-7401-007CN	Screw, tapping, pan head, M4X10	501	88

Table 35. Numerical parts list

Part number	Description	Ref.	Figure
XB4-7401-007CN	Screw, tapping, pan head, M4X10	501	89
XB4-7401-007CN	Screw, tapping, pan head, M4X10	22A	89
XB4-7401-007CN	Screw	501	90
XB4-7401-007CN	Screw, tapping, pan head, M4X10	503	92
XB4-7401-209CN	Screw, tapping, truss head, M4X12	501	85
XB4-7401-209CN	Screw, tapping, truss head, M4x12	502	92
XB6-7300-807CN	Screw	502	90