

# 7

## Parts and diagrams

### Chapter contents

How to use the parts lists and diagrams . . . . .	210
Consumables and accessories . . . . .	211
Common hardware . . . . .	214
Alphabetical parts list . . . . .	242
Numerical parts list . . . . .	249

## Consumables and accessories

The following items are available through a local authorized HP dealer. To find a dealer near you (or if your dealer is temporarily out of stock), call the HP Customer Information Center at (800) 752-0900.

**Table 23. Consumables and accessories**

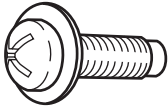
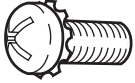
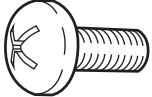
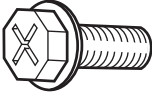
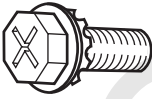
Item	Product number	Description
Toner cartridge	C3906A	Replacement toner cartridge
HP LaserJet size C Printer Parallel cables (IEEE-1284)	8120-8668	2-meter, A to C
	C2946A (8182-0004)	3-meter, A to C
	C2947A	10-meter, A to C
Phone cables and adapters	5040-9078	Phone cable—Canada, Mexico, U.S.
	C3948-60126	Phone cable—Austria
	C3948-60121	Phone cable—Belgium
	C3948-60105	Phone cable—Denmark
	C3948-60115	Phone cable—France
	C3948-60118	Phone cable—Germany
	C3948-60113	Phone cable—Hong Kong, New Zealand, United Kingdom
	C3948-60114	Phone cable—Netherlands
	C3948-60103	Phone cable—Norway/Finland
	C3948-60104	Phone cable—Sweden
	5040-9208	RJ-11 phone cable—Australia, China, Hungary, Ireland, Israel, Italy, Malaysia, Poland, Russia, Singapore, Spain, Switzerland, Ukraine
C3948-60106	T-adaptor—Australia, China, Hungary, Ireland, Israel, Italy, Malaysia, Poland, Russia, Singapore, Spain, Switzerland, Ukraine	

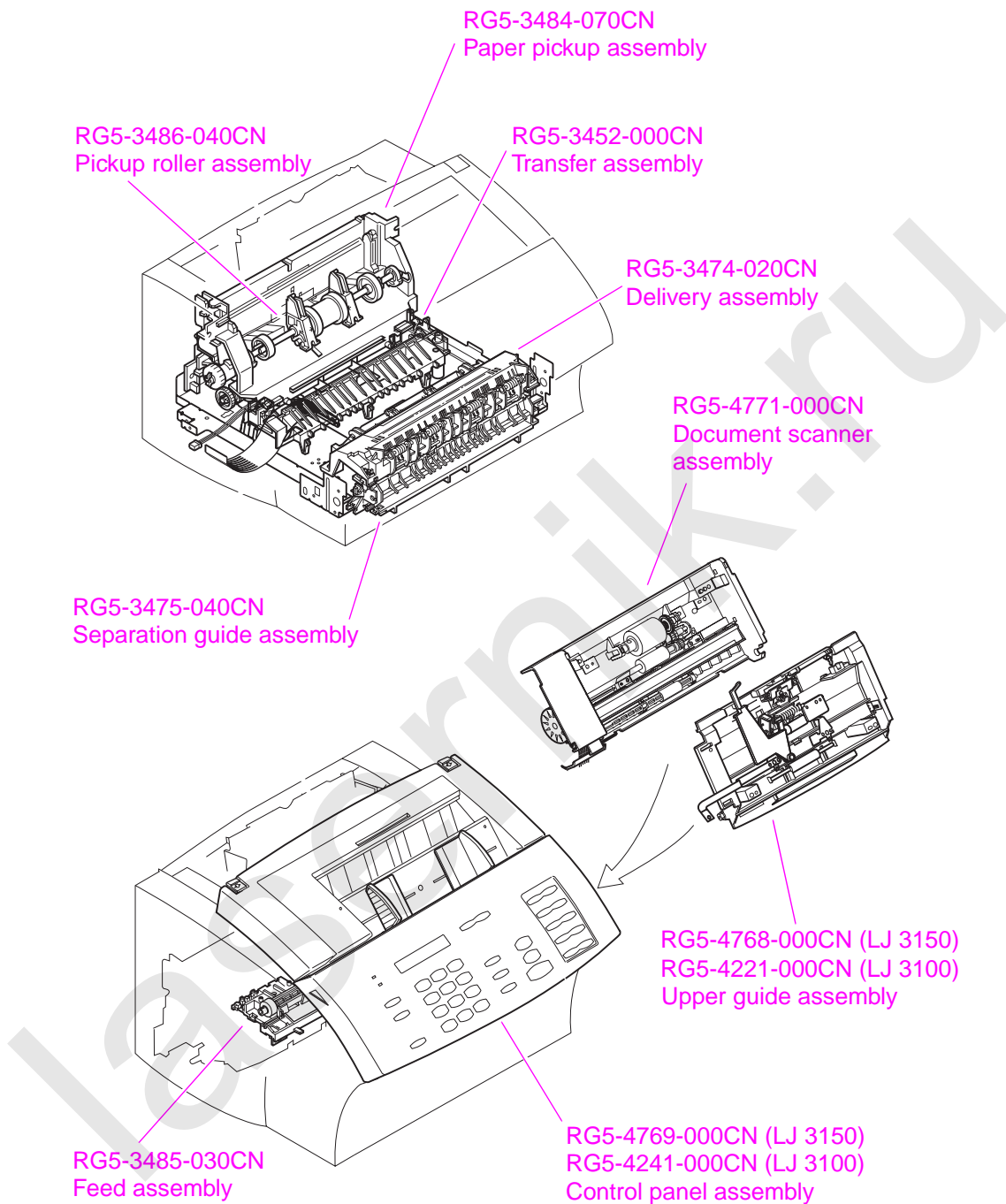
**Table 23. Consumables and accessories**

<b>Item</b>	<b>Product number</b>	<b>Description</b>
Power cables	8120-6810	Power cable—Australia, New Zealand
	8120-6811	Power cable—Austria, Belgium, Finland, France, Germany, Hungary, Italy, Netherlands, Norway, Poland, Russia, Spain, Sweden, Ukraine
	8120-6812	Power cable—Canada, Mexico, U.S.
	8120-8707	Power cable—China
	8120-6814	Power cable—Denmark
	8120-8706	Power cable—Hong Kong
	8120-6809	Power cable—Ireland, United Kingdom
	8120-6800	Power cable—Israel
	8120-8454	Power cable—Malaysia, Singapore
	8120-6815	Switzerland

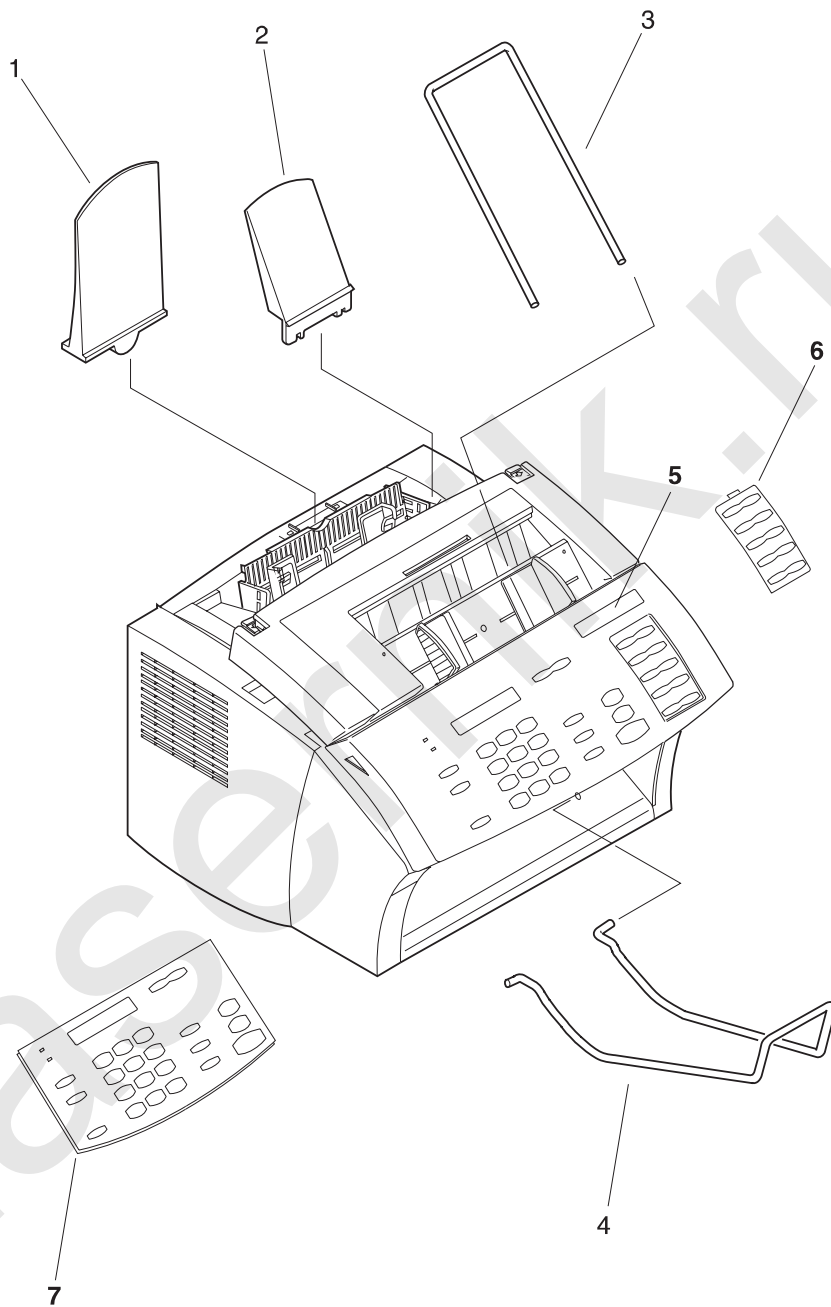
# Common hardware

Table 24. Common fasteners

Example	Description
	Screw, machine, truss head
	Screw, star
	Screw, self-tapping
	Screw, hex-head
	Screw, hex-head, star



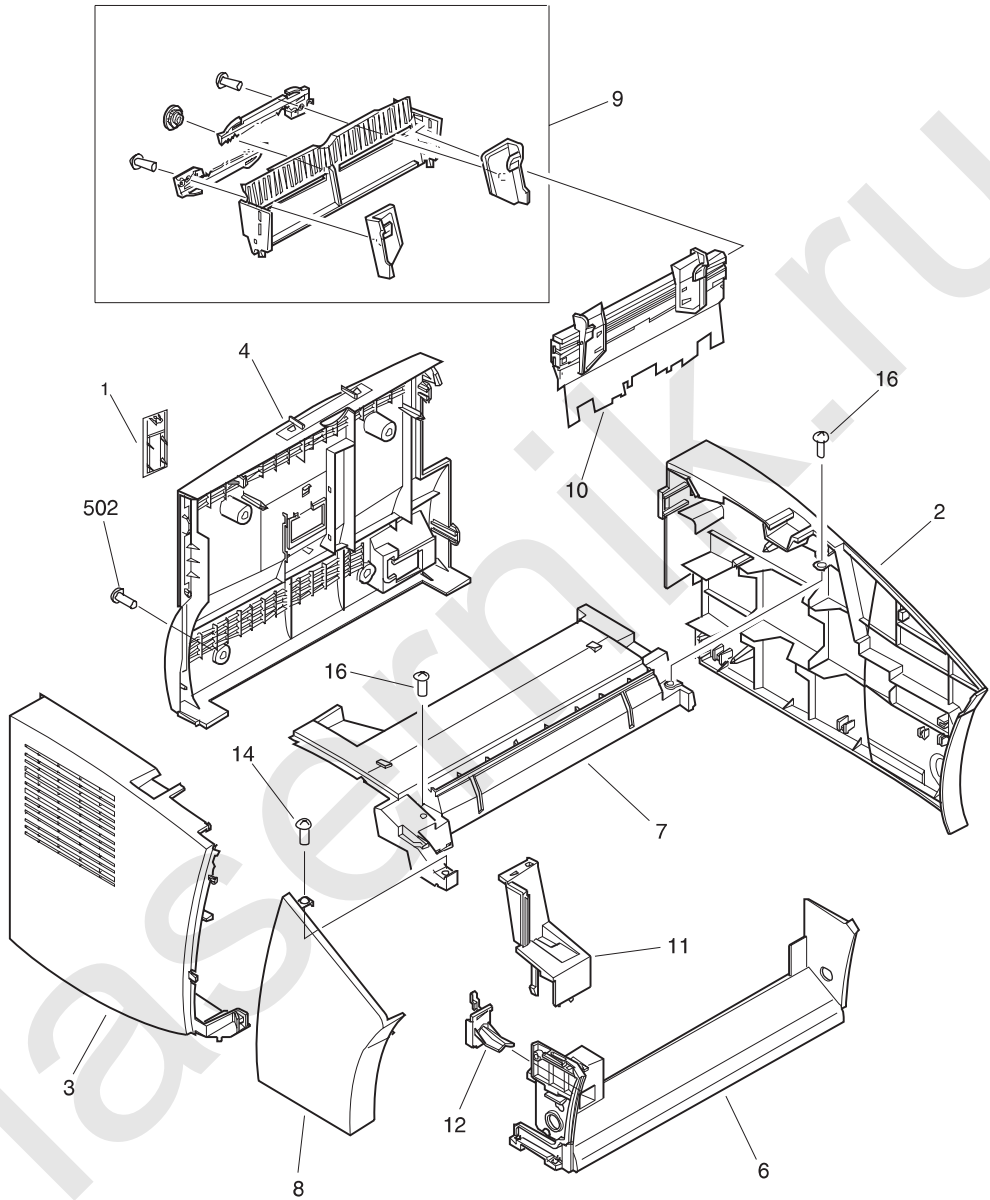
**Figure 86. Major assembly locations**



**Figure 87. Supports**

**Table 25. Supports**

<b>Reference</b>	<b>Part number</b>	<b>Description</b>
1	RB2-3362-000CN	Paper input support
2	RB2-3410-000CN	Paper output support
3	RB2-3455-000CN	Document feeder support
4	RB2-3470-000CN	Document output support
5	C4256-40001	Nameplate—LJ 3150
6	RB2-3393-000CN	One-touch pad overlay sheet
7	C3948-00019	Control panel overlay—Danish
	C4256-00036	Control panel overlay—Dutch
	C4256-00020	Control panel overlay—Finnish
	C4256-00037	Control panel overlay—French
	C3948-00010	Control panel overlay—German
	C4256-00038	Control panel overlay—Hungarian
	C3948-00038	Control panel overlay—Israel/Hebrew
	C4256-00034	Control panel overlay—Italian
	C4256-00021	Control panel overlay—Norwegian
	C4256-00006	Control panel overlay—Polish
	C4256-00035	Control panel overlay—Russian
	C4256-00007	Control panel overlay—Simplified Chinese
	C4256-00033	Control panel overlay—Spanish
	C3948-00022	Control panel overlay—Swedish
	C3948-00037	Control panel overlay—Traditional Chinese

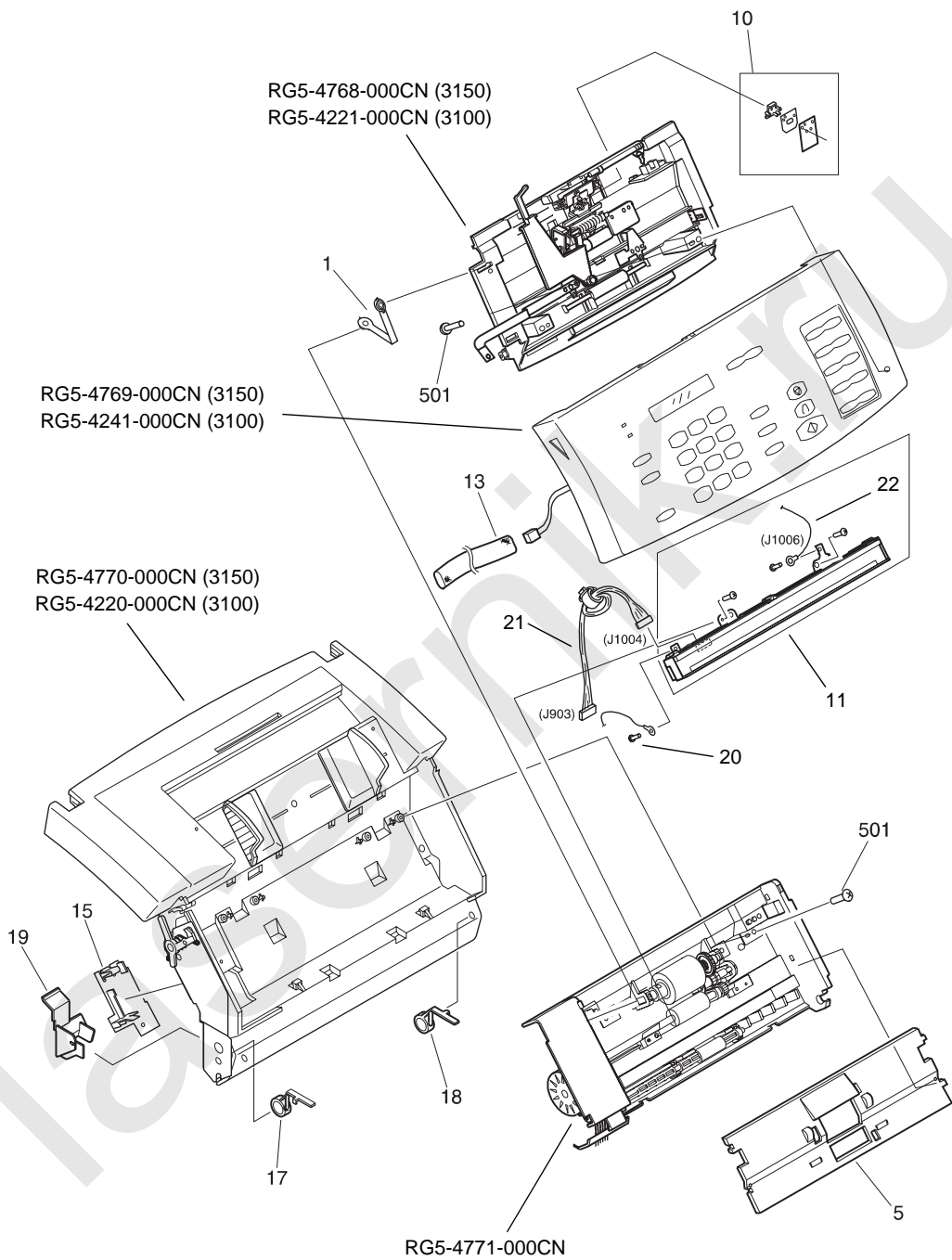


**Figure 88. External covers and panels**



**Table 26. External covers and panels**

<b>Reference</b>	<b>Part number</b>	<b>Description</b>
1	C3948-40010	I/O bezel
2	RB2-3341-000CN	Right cover
3	RB2-3360-000CN	Left cover
4	RB2-3361-000CN	Rear cover
6	RB2-3449-000CN	Front casing
7	RB2-3450-000CN	Top cover
8	RB2-3451-000CN	Left front cover
9	RG5-3488-000CN	Input bin assembly
10	RG5-4763-000CN	Single-sheet input slot assembly
11	RB2-3452-000CN	Pressure release lever cover
12	RB2-3448-000CN	Paper path lever—LJ 3150 (darker in color)
	RB2-3453-000CN	Paper path lever—LJ 3100 (lighter in color)
14	XA9-0476-000CN	Screw, TP, M3X8
16	XA9-0724-000CN	Screw, M3X8 (2)
502	XA9-0497-000CN	Screw, M4X6 (4)



**Figure 89. Printer door (1 of 2)**

**Table 27. Printer door (1 of 2)**

<b>Reference</b>	<b>Part number</b>	<b>Description</b>
	RG5-4770-000CN	Printer door assembly—LJ 3150
	RG5-4220-000CN	Printer door assembly—LJ 3100
	RG5-4768-000CN	Upper guide assembly—LJ 3150
	RG5-4221-000CN	Upper guide assembly—LJ 3100
	RG5-4771-000CN	Document scanner assembly
	RG5-4769-000CN	Control panel assembly—LJ 3150
	RG5-4241-000CN	Control panel assembly—LJ 3100
1	RB2-3354-000CN	Strap
5	RB2-3436-000CN	Document scanner guide
10	RY7-5055-000CN	Separation pad kit for document scanner path
11	RG5-4239-000CN	Contact image sensor assembly
13	RB2-3351-000CN	Cable tube
15	RB2-3454-000CN	Spacer
17	RB2-3468-000CN	Left hinge cover
18	RB2-3469-000CN	Right hinge cover
19	RB2-3409-000CN	Cable guide
20	FA9-1449-000CN	Screw—LJ 3100
	XA9-0779-000CN	Screw—LJ 3150
21	RG5-4233-000CN	Cable, contact image sensor (J1004 to J903)
22	RG5-4238-000CN	Cable, CIS grounding
501	XB4-7300-807CN	Screw, tapping, truss head, M3X8 (7)

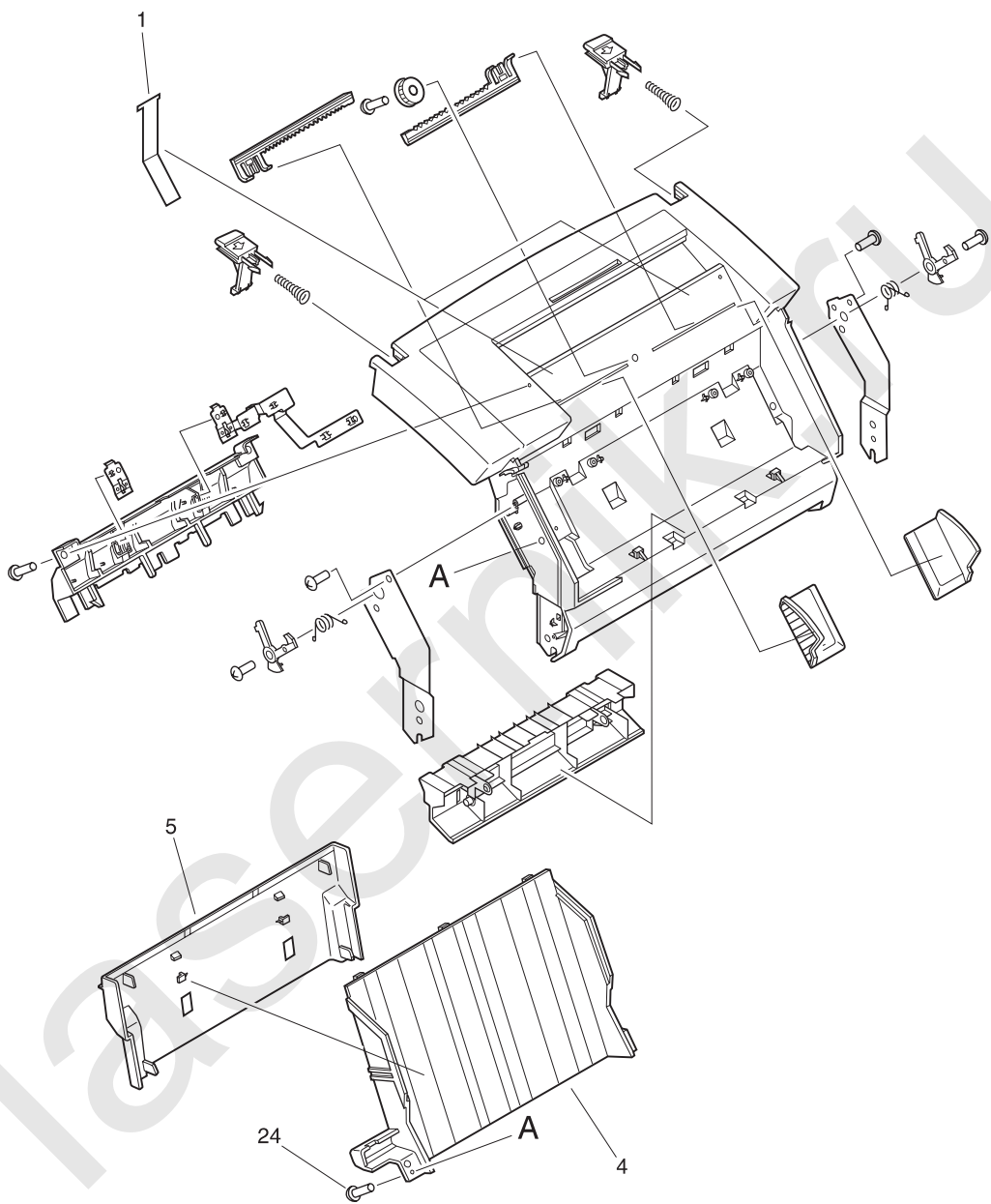
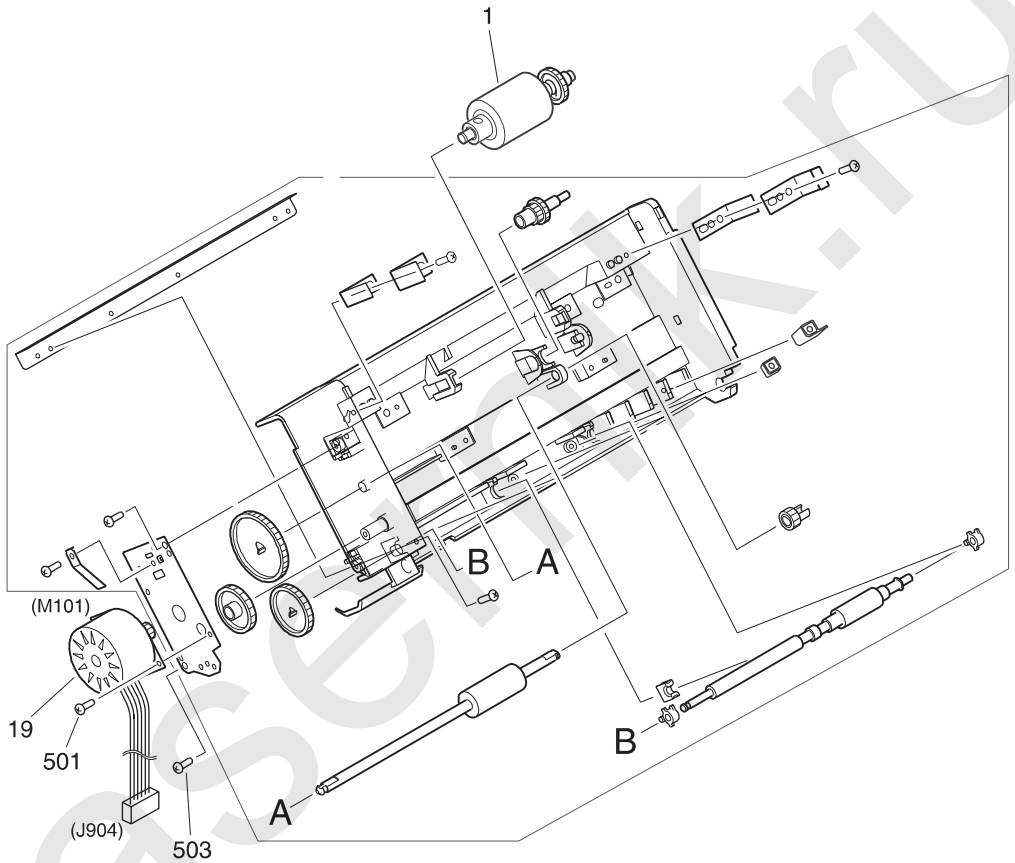


Figure 90. Printer door (2 of 2)

**Table 28. Printer door (2 of 2)**

<b>Reference</b>	<b>Part number</b>	<b>Description</b>
	RG5-4770-000CN	Printer door assembly—LJ 3150
	RG5-4220-000CN	Printer door assembly—LJ 3100
1	RB2-3365-000CN	Sheet, arching (2)
4	RB2-3401-000CN	Duct, 1
5	RB2-3402-000CN	Duct, 2
24	XA9-0614-000CN	Screw, M3X8 (4)



**Figure 91. Document scanner assembly**

**Table 29. Document scanner assembly**

<b>Reference</b>	<b>Part number</b>	<b>Description</b>
	RG5-4771-000CN	Document scanner assembly
1	RG5-4772-000CN	Pickup roller assembly, document scanner
19	RH7-1376-000CN	Motor, AC 1.08W
503	XB4-7300-807CN	Screw, M3X8

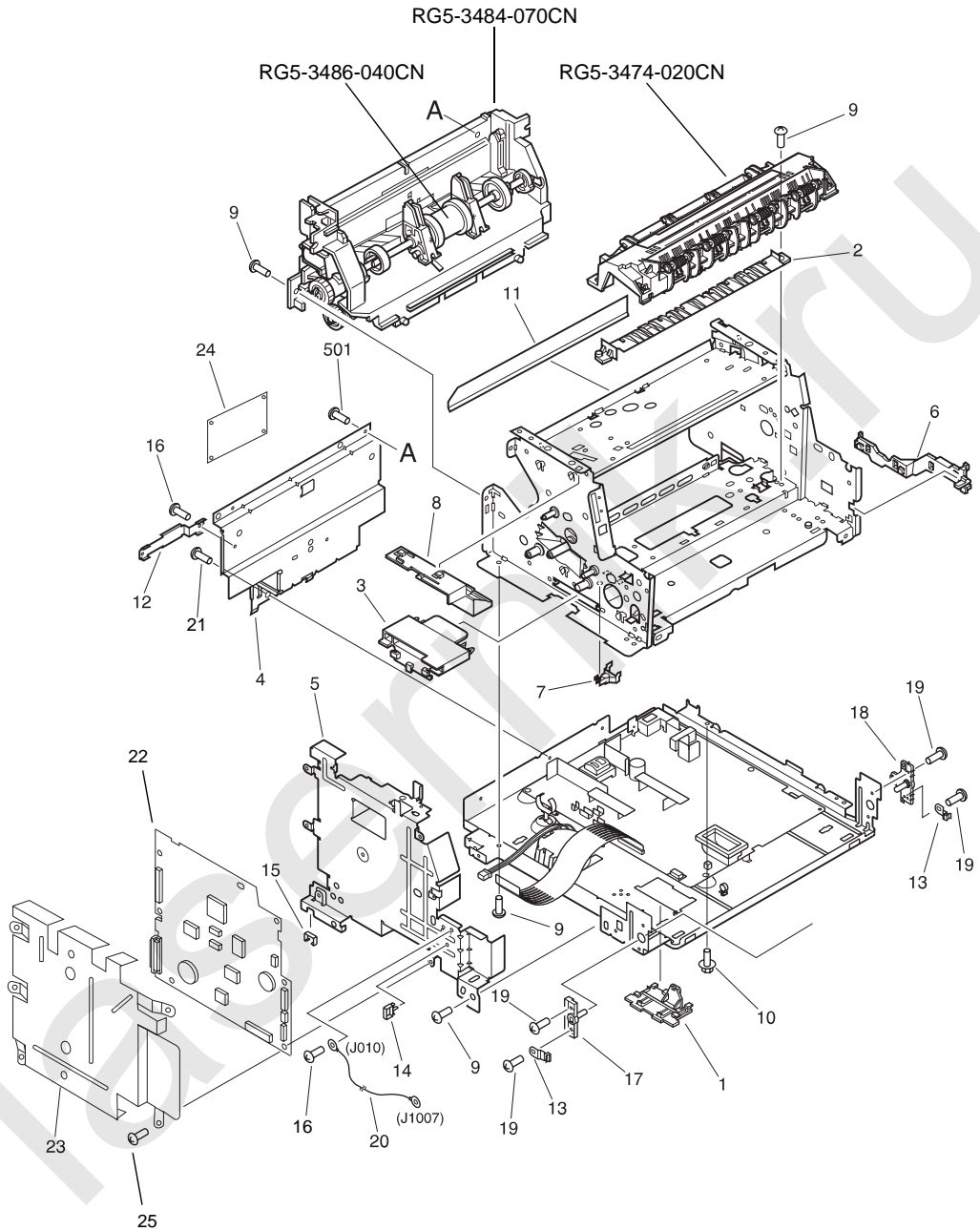
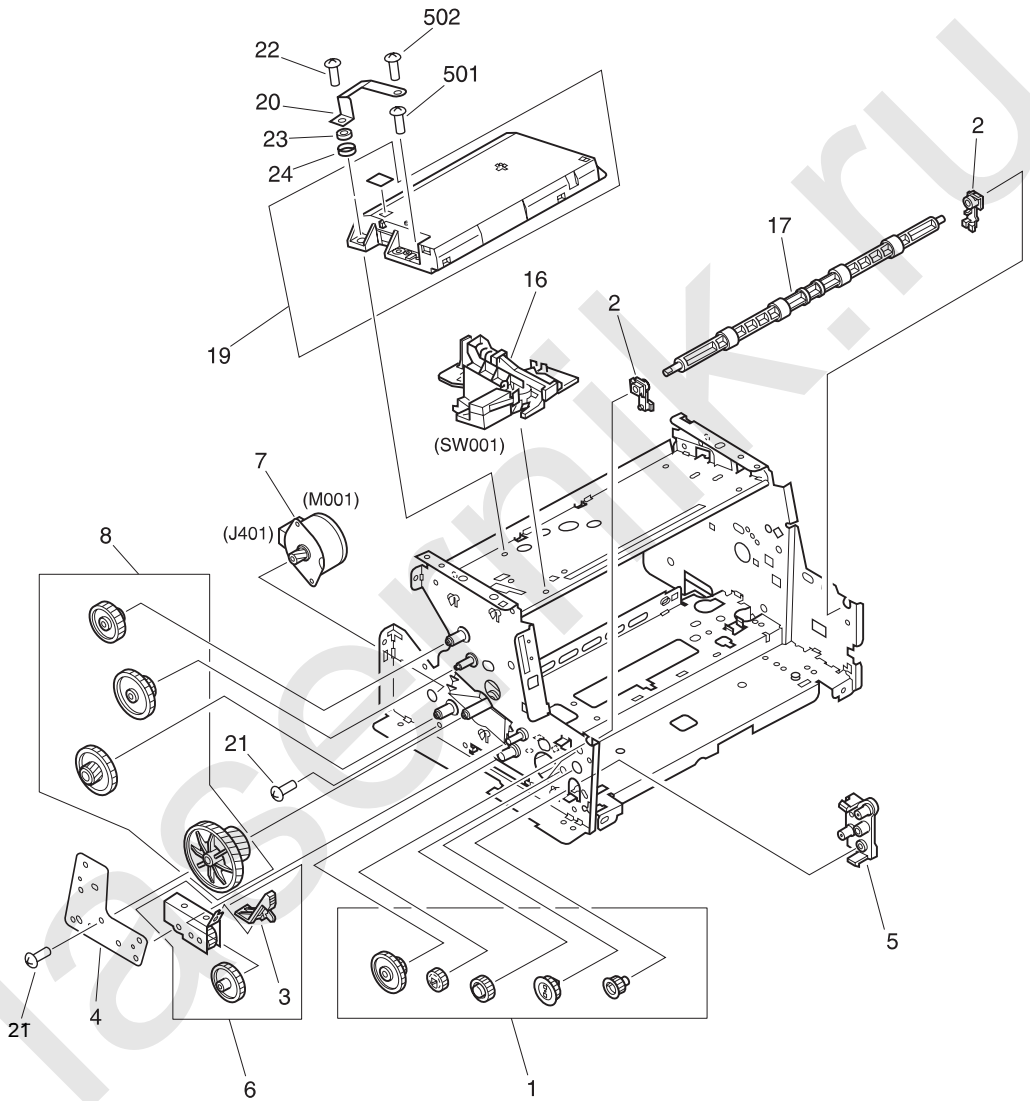


Figure 92. Internal components (1 of 3)



**Table 30. Internal components (1 of 3)**

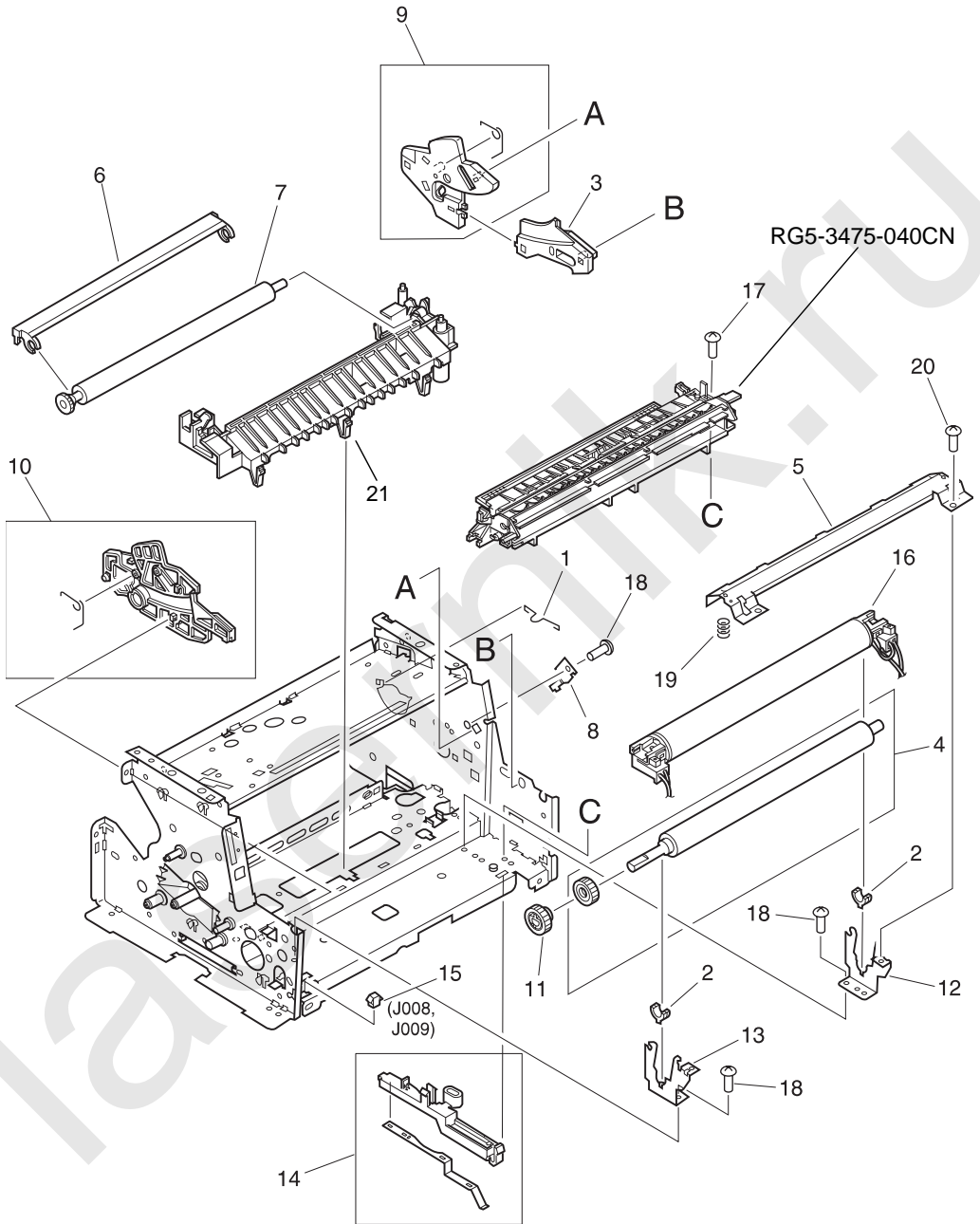
Reference	Part number	Description
	RG5-3484-070CN	Paper pickup assembly
	RG5-3486-040CN	Pickup roller assembly
	RG5-3474-020CN	Delivery assembly
1	RB2-3345-000CN	Cap
2	RB1-7247-000CN	Paper guide
3	RB2-3350-000CN	Cable guide, formatter
4	RF5-2664-000CN	Reinforcement plate
5	RB2-3364-000CN	Metal plate
6	RB1-7130-020CN	Cable guide
7	RB1-7234-000CN	Cap
8	RB2-3366-000CN	Cable guide holder, formatter
9	XA9-0724-000CN	Screw M3X8 (11)
10	XA9-0855-000CN	Screw, RS, with washer, M3X8
11	RB1-7176-000CN	Guide sheet
12	RB2-4118-000CN	Grounding plate
13	RB2-3467-000CN	Grounding plate (2)
14	WT2-5178-000CN	Cable guide, control panel
15	WT2-5300-000CN	Cable guide, frame
16	XA9-0779-000CN	Screw
17	RB2-3465-000CN	Left hinge holder
18	RB2-3466-000CN	Right hinge holder
19	XA9-0434-000CN	Screw, TP, M3X4 (4)
20	RG5-4237-000CN	Cable, grounding, document scanner motor
21	XA9-0267-000CN	Screw
22	C3949-60001	Formatter—LJ 3100
	C3949-69001	Formatter—LJ 3100 (exchange)
	C3949-60002	Formatter—LJ 3150
	C3949-69002	Formatter—LJ 3150 (exchange)
23	C3948-00002	RFI shield
24	C3948-60003	LIU board (U.S.)
24	C3948-60004	LIU board (worldwide)
25	0515-2672	Screw, M3X6 (9)
501	XB4-7400-807CN	Screw, tapping, truss head, M4X8 (3)



**Figure 93. Internal components (2 of 3)**

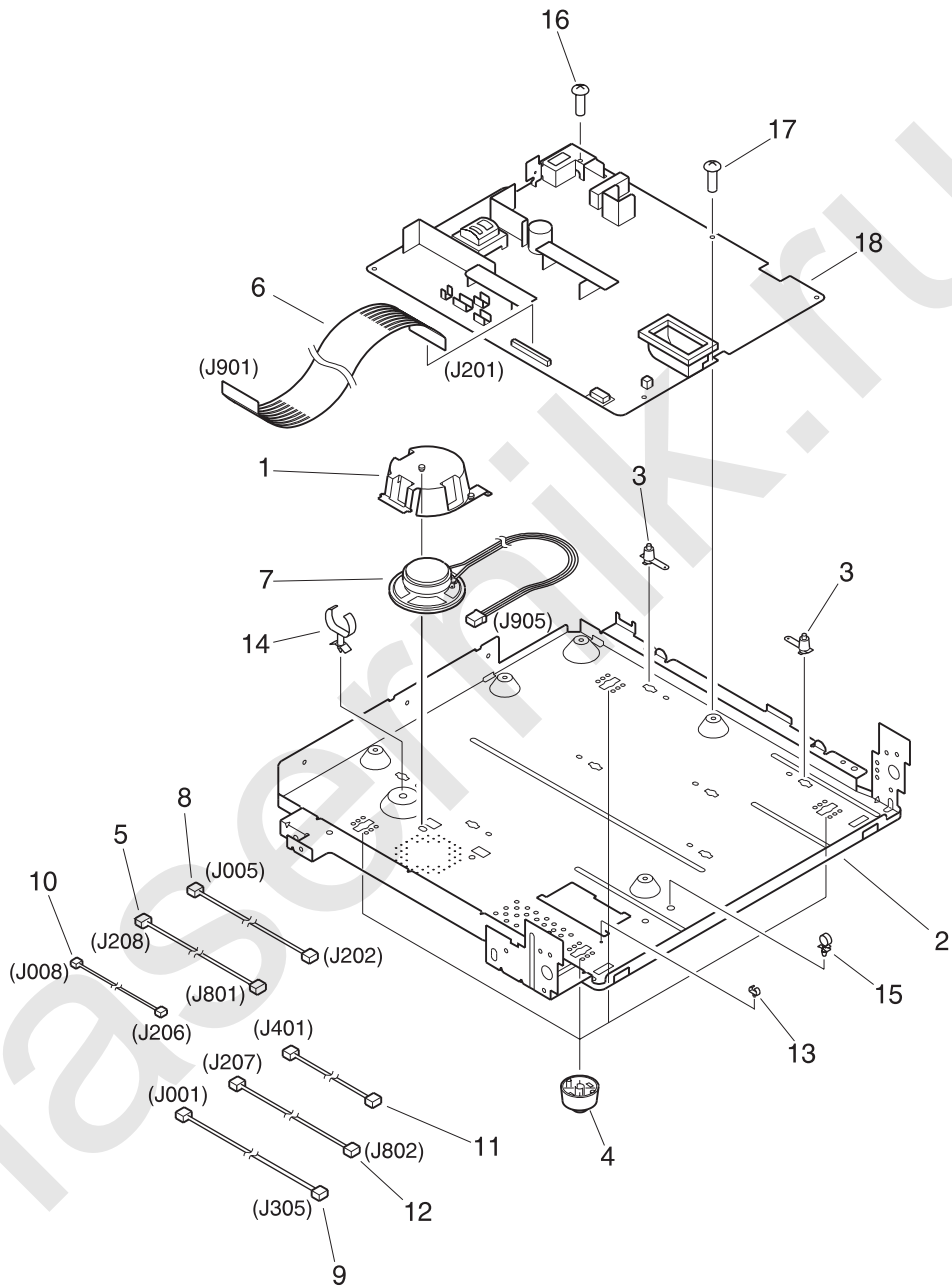
**Table 31. Internal components (2 of 3)**

Reference	Part number	Description
1	RY7-5005-000CN	Gear kit #1
2	RB1-7288-020CN	Bushing (2)
3	RB1-7105-000CN	Pressure release lever
4	RB2-1632-000CN	Gear support plate
5	RB1-7107-000CN	Gear holder
6	RY7-5007-000CN	Fuser release kit
7	RH7-1320-000CN	Motor, DC 12V
8	RY7-5036-000CN	Gear kit #2
16	RG5-3453-000CN	Switch lever assembly
17	RF5-2367-000CN	Exit roller
<b>Note:</b> The Following two parts (ref. 19 and 20) must <b>both</b> be replaced if replacing either one.		
19	RG5-3497-050CN	Laser/scanner assembly
20	RB1-7385-020CN	Grounding spring
21	XA9-0267-000CN	Screw, TP, M3X6 (2)
22	XA9-0382-000CN	Screw, TP, M3X12
23	WE8-5192-000CN	Ferrite ring core
24	RB9-0227-000CN	Spacer
501	XB6-7300-807CN	Screw, TP, M3X8 (5)
502	XB4-7300-809CN	Screw, tapping, truss head, M3X8



**Table 32. Internal components (3 of 3)**

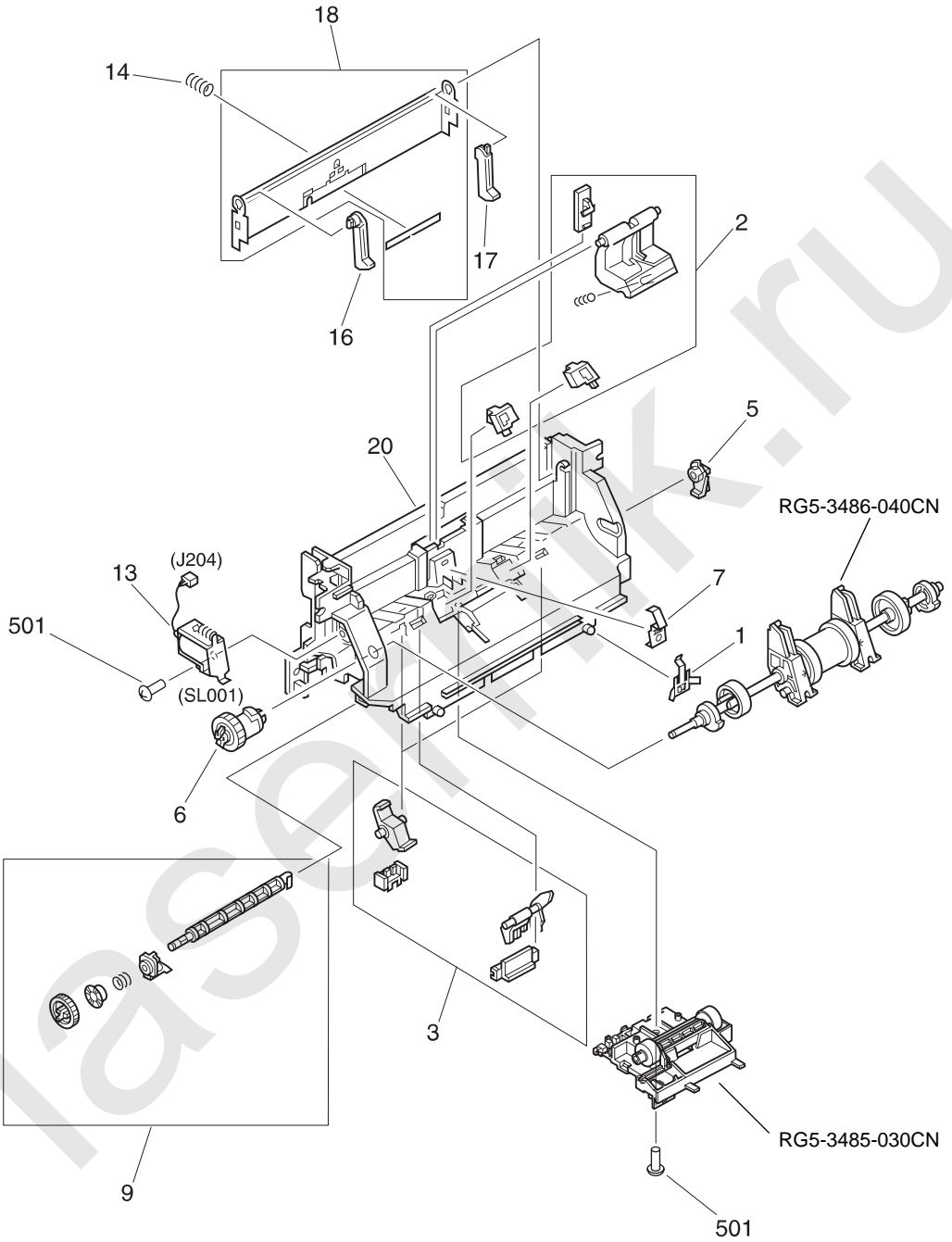
Reference	Part number	Description
	RG5-3475-040CN	Separation guide assembly
1	RB1-7223-000CN	Grounding clip
2	RB1-7246-000CN	Bushing (2)
3	RB1-7341-030CN	Right cartridge guide #1
4	RF5-2364-000CN	Pressure roller
5	RF5-1517-020CN	Pressure plate
6	RF5-2358-000CN	Transfer guide
7	RF5-1534-000CN	Transfer roller
8	RB1-7129-000CN	Grounding metal
9	RF5-1515-020CN	Right cartridge guide #2
10	RF5-1514-020CN	Left cartridge guide
11	RS5-0796-000CN	Pressure roller gear (27T)
12	RB1-7256-000CN	Right side plate
13	RB1-7255-000CN	Left side plate
14	RF5-1533-000CN	Pressure roller ground guide
15	VS1-5057-002CN	Fuser connector (2P)
16	RG5-4678-000CN	Fixing assembly, 110 V
16	RG5-4681-000CN	Fixing assembly, 220 V
17	XA9-0724-000CN	Screw, M3X8
18	XA9-0686-000CN	Screw, M3X6
19	RS5-2508-000CN	Spring, compression
20	XA9-0824-000CN	Screw, RS, M3X10
21	RG5-3452-000CN	Transfer guide assembly
	CK-8006-000CN	Pressure roller grease



**Figure 95. Electrical components assembly**

**Table 33. Electrical components assembly**

<b>Reference</b>	<b>Part number</b>	<b>Description</b>
1	RB2-3346-000CN	Speaker mount
2	RB2-3342-000CN	Bottom plate
3	RB2-3347-000CN	Spacer, PCB (7)
4	RF5-2663-000CN	Foot (4)
5	RG5-2035-000CN	Cable, laser
6	RH2-5346-000CN	Cable, formatter
7	RH6-3845-000CN	Speaker
8	RG5-2029-000CN	Cable, paper pickup
9	RG5-3662-000CN	Cable, door switch
10	RG5-2032-000CN	Cable, thermistor
11	RG5-2033-000CN	Cable, motor
12	RG5-3661-000CN	Cable, scanner
13	WT2-0276-000CN	Clamp, wire
14	WT2-0367-000CN	Clamp, cable
15	WT2-5178-000CN	Clamp, cable
16	XA9-0828-000CN	Screw, with star washer, M3X4
17	XA9-0890-000CN	Screw, with washer, M3X6 (4)
18	RG5-4690-000CN	ECU, 110 V
18	RG5-4691-070CN	ECU, 220 V
	C3948-60102	Cable, LIU

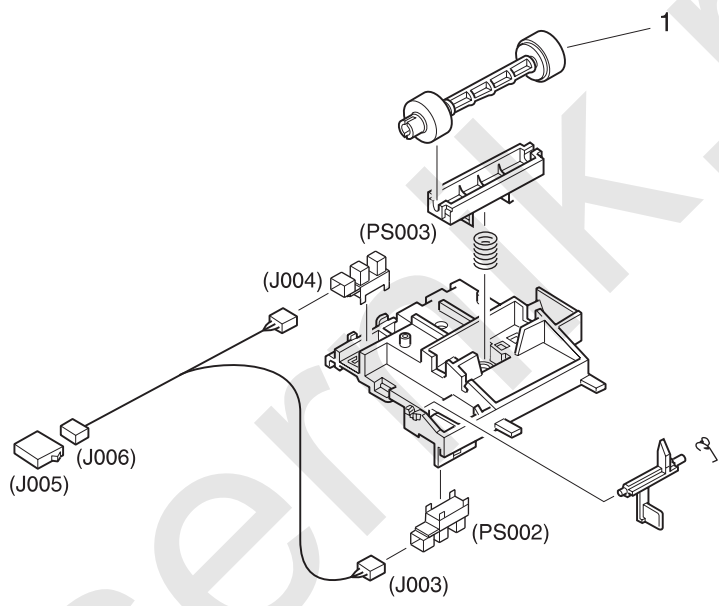


**Figure 96. Paper pickup assembly**



**Table 34. Paper pickup assembly**

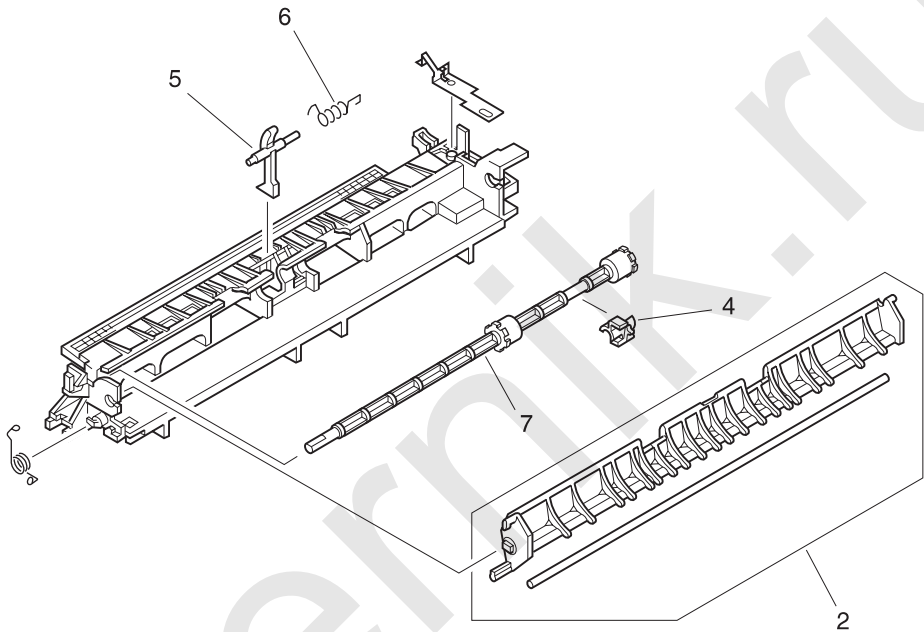
Reference	Part number	Description
	RG5-3484-070CN	Paper pickup assembly
	RG5-3485-030CN	Feed assembly
	RG5-3486-040CN	Pickup roller assembly ( <b>Note:</b> if replacing this part, also replace the separation pad kit, part number RY7-5008-000CN)
1	RB1-7172-000CN	Spring, grounding
2	RY7-5008-000CN	Separation pad kit ( <b>Note:</b> if replacing this part, also replace the pickup roller assembly, part number RG5-3486-040CN)
3	RY7-5009-000CN	Input sensor assembly
5	RB1-7184-000CN	Bushing
6	RB1-7197-020CN	Clutch
7	RB1-7199-000CN	Spring, grounding
9	RG5-1947-000CN	Paper feed drive assembly
13	RH7-5139-000CN	Solenoid
14	RS5-2501-000CN	Spring, compression
16	RB1-7185-000CN	Arm, plate, left
17	RB1-7186-000CN	Arm, plate, right
18	RF5-2372-000CN	Plate, middle
20	RB1-7177-000CN	Frame, paper feed
501	XB4-7401-000CN	Screw, tapping, pan head, M4X10 (2)



**Figure 97. Feed assembly**

**Table 35. Feeder assembly**

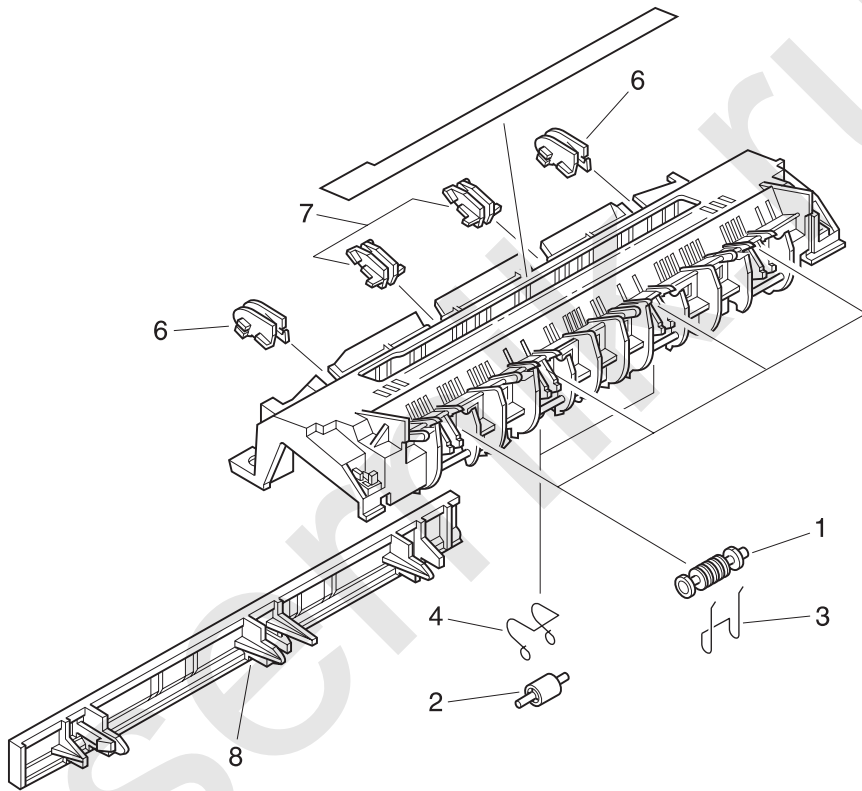
<b>Reference</b>	<b>Part number</b>	<b>Description</b>
	RG5-3485-030CN	Feed assembly
1	RB2-1699-000CN	Feed roller



**Figure 98. Separation guide assembly**

**Table 36. Separation guide assembly**

<b>Reference</b>	<b>Part number</b>	<b>Description</b>
	RG5-3475-040CN	Separation guide assembly
2	RG5-3476-000CN	Face-up/face-down lever
4	RB2-1690-000CN	Fuser roller bushing
5	RB1-7293-000CN	Lever, sensor
6	RB1-7294-000CN	Spring, torsion
7	RF5-2368-000CN	Fuser exit roller assembly



**Figure 99. Delivery assembly**

**Table 37. Delivery assembly**

<b>Reference</b>	<b>Part number</b>	<b>Description</b>
	RG5-3474-020CN	Delivery assembly
1	RB1-7284-020CN	Delivery roller #1 (4)
2	RB2-1685-000CN	Delivery roller #2 (2)
3	RB1-7286-000CN	Delivery spring #1 (4)
4	RB1-7287-000CN	Delivery spring #2 (2)
6	RG5-3479-000CN	Spur assembly outside (2)
7	RG5-3478-000CN	Spur assembly inside (2)
8	RB1-7334-000CN	Jammed paper protector

# Alphabetical parts list

**Table 38. Alphabetical parts list**

Part name	Part number	Figure #	Reference
Arm, plate, left	RB1-7185-000CN	96	16
Arm, plate, right	RB1-7186-000CN	96	17
Bottom plate	RB2-3342-000CN	95	2
Bushing	RB1-7184-000CN	96	5
Bushing (2)	RB1-7246-000CN	94	2
Bushing (2)	RB1-7288-020CN	93	2
Cable guide	RB1-7130-020CN	92	6
Cable guide	RB2-3409-000CN	89	19
Cable guide holder, formatter	RB2-3366-000CN	92	8
Cable guide, control panel	WT2-5178-000CN	92	14
Cable guide, formatter	RB2-3350-000CN	92	3
Cable guide, frame	WT2-5300-000CN	92	15
Cable tube	RB2-3351-000CN	89	13
Cable, CIS grounding	RG5-4238-000CN	89	22
Cable, contact image sensor (J1004 to J903)	RG5-4233-000CN	89	21
Cable, door switch	RG5-3662-000CN	95	9
Cable, formatter	RH2-5346-000CN	95	6
Cable, grounding, document scanner motor	RG5-4237-000CN	92	20
Cable, laser	RG5-2035-000CN	95	5
Cable, LIU	C3948-60102	95	
Cable, motor	RG5-2033-000CN	95	11
Cable, paper pickup	RG5-2029-000CN	95	8
Cable, scanner	RG5-3661-000CN	95	12
Cable, thermistor	RG5-2032-000CN	95	10
Cap	RB1-7234-000CN	92	7
Cap	RB2-3345-000CN	92	1
Clamp, cable	WT2-0367-000CN	95	14
Clamp, cable	WT2-5178-000CN	95	15



**Table 38. Alphabetical parts list**

<b>Part name</b>	<b>Part number</b>	<b>Figure #</b>	<b>Reference</b>
Clamp, wire	WT2-0276-000CN	95	13
Clutch	RB1-7197-020CN	96	6
Contact image sensor assembly	RG5-4239-000CN	89	11
Control panel assembly—LJ 3100	RG5-4241-000CN	89	
Control panel assembly—LJ 3150	RG5-4769-000CN	89	
Control panel overlay—Danish	C3948-00019	87	7
Control panel overlay—Dutch	C4256-00036	87	7
Control panel overlay—Finnish	C4256-00020	87	7
Control panel overlay—French	C4256-00037	87	7
Control panel overlay—German	C3948-00010	87	7
Control panel overlay—Hungarian	C4256-00038	87	7
Control panel overlay—Israel/Hebrew	C3948-00038	87	7
Control panel overlay—Italian	C4256-00034	87	7
Control panel overlay—Norwegian	C3948-00021	87	7
Control panel overlay—Polish	C4256-00006	87	7
Control panel overlay—Russian	C4256-00035	87	7
Control panel overlay—Simplified Chinese	C4256-00007	87	7
Control panel overlay—Spanish	C4256-00033	87	7
Control panel overlay—Swedish	C3948-00022	87	7
Control panel overlay—Traditional Chinese	C3948-00037	87	7
Delivery assembly	RG5-3474-020CN	92, 99	
Delivery roller #1 (4)	RB1-7284-020CN	99	1
Delivery roller #2 (2)	RB2-1685-000CN	99	2
Delivery spring #1 (4)	RB1-7286-000CN	99	3
Delivery spring #2 (2)	RB1-7287-000CN	99	4
Document feeder support	RB2-3455-000CN	87	3
Document output support	RB2-3470-000CN	87	4
Document scanner assembly	RG5-4771-000CN	89, 91	
Document scanner guide	RB2-3436-000CN	89	5
Duct, 1	RB2-3401-000CN	90	4
Duct, 2	RB2-3402-000CN	90	5

**Table 38. Alphabetical parts list**

<b>Part name</b>	<b>Part number</b>	<b>Figure #</b>	<b>Reference</b>
ECU, 110 V	RG5-4690-000CN	95	18
ECU, 220 V	RG5-4691-070CN	95	18
Exit roller	RF5-2367-000CN	93	17
Face-up/face-down lever	RG5-3476-000CN	98	2
Feed assembly	RG5-3485-030CN	96, 97	
Feed roller	RB2-1699-000CN	97	1
Ferrite ring core	WE8-5192-000CN	93	23
Fixing assembly, 110 V	RG5-4678-000CN	94	16
Fixing assembly, 220 V	RG5-4681-000CN	94	16
Foot (4)	RF5-2663-000CN	95	4
Formatter—LJ 3100	C3949-60001	92	22
Formatter—LJ 3100 (exchange)	C3949-69001	92	22
Formatter—LJ 3150	C3949-60002	92	22
Formatter—LJ 3150 (exchange)	C3949-69002	92	22
Frame, paper feed	RB1-7177-000CN	96	20
Front casing	RB2-3449-000CN	88	6
Fuser connector (2P)	VS1-5057-002CN	94	15
Fuser exit roller assembly	RF5-2368-000CN	98	7
Fuser release kit	RY7-5007-000CN	93	6
Fuser roller bushing	RB2-1690-000CN	98	4
Gear holder	RB1-7107-000CN	93	5
Gear kit #1	RY7-5005-000CN	93	1
Gear kit #2	RY7-5036-000CN	93	8
Gear support plate	RB2-1632-000CN	93	4
Grounding clip	RB1-7223-000CN	94	1
Grounding metal	RB1-7129-000CN	94	8
Grounding plate	RB2-4118-000CN	92	12
Grounding plate (2)	RB2-3467-000CN	92	13
Grounding spring	RB1-7385-020CN	93	20
Guide sheet	RB1-7176-000CN	92	11
I/O bezel	C3948-40010	88	1

**Table 38. Alphabetical parts list**

<b>Part name</b>	<b>Part number</b>	<b>Figure #</b>	<b>Reference</b>
Input bin assembly	RG5-3488-000CN	88	9
Input sensor assembly	RY7-5009-000CN	96	3
Jammed paper protector	RB1-7334-000CN	99	8
Laser/scanner assembly	RG5-3497-050CN	93	19
Left cartridge guide	RF5-1514-020CN	94	10
Left cover	RB2-3360-000CN	88	3
Left front cover	RB2-3451-000CN	88	8
Left hinge cover	RB2-3468-000CN	89	17
Left hinge holder	RB2-3465-000CN	92	17
Left side plate	RB1-7255-000CN	94	13
Lever, sensor	RB1-7293-000CN	98	5
LIU board (U.S.)	C3948-60003	92	24
LIU board (worldwide)	C3948-60004	92	24
Metal plate	RB2-3364-000CN	92	5
Motor, AC 1.08W	RH7-1376-000CN	91	19
Motor, DC 12V	RH7-1320-000CN	93	7
Nameplate—LJ 3150	C4256-40001	87	5
One-touch pad overlay sheet	RB2-3393-000CN	87	6
Paper feed drive assembly	RG5-1947-000CN	96	9
Paper guide	RB1-7247-000CN	92	2
Paper input support	RB2-3362-000CN	87	1
Paper output support	RB2-3410-000CN	87	2
Paper path lever—LJ 3100 (lighter in color)	RB2-3453-000CN	88	12
Paper path lever—LJ 3150 (darker in color)	RB2-3448-000CN	88	12
Paper pickup assembly	RG5-3484-070CN	92, 96	
Pickup roller assembly	RG5-3486-040CN	92, 96	
Pickup roller assembly, document scanner	RG5-4772-000CN	91	1
Plate, middle	RF5-2372-000CN	96	18
Pressure plate	RF5-1517-020CN	94	5
Pressure release lever	RB1-7105-000CN	93	3
Pressure release lever cover	RB2-3452-000CN	88	11

**Table 38. Alphabetical parts list**

<b>Part name</b>	<b>Part number</b>	<b>Figure #</b>	<b>Reference</b>
Pressure roller	RF5-2364-000CN	94	4
Pressure roller gear (27T)	RS5-0796-000CN	94	11
Pressure roller grease	CK-8006-000CN	94	
Pressure roller ground guide	RF5-1533-000CN	94	14
Printer door assembly—LJ 3100	RG5-4220-000CN	89, 90	
Printer door assembly—LJ 3150	RG5-4770-000CN	89, 90	
Rear cover	RB2-3361-000CN	88	4
Reinforcement plate	RF5-2664-000CN	92	4
RFI shield	C3948-00002	92	23
Right cartridge guide #1	RB1-7341-030CN	94	3
Right cartridge guide #2	RF5-1515-020CN	94	9
Right cover	RB2-3341-000CN	88	2
Right hinge cover	RB2-3469-000CN	89	18
Right hinge holder	RB2-3466-000CN	92	18
Right side plate	RB1-7256-000CN	94	12
Screw	XA9-0267-000CN	92	21
Screw	XA9-0779-000CN	92	16
Screw—LJ 3100	FA9-1449-000CN	89	20
Screw—LJ 3150	XA9-0779-000CN	89	20
Screw M3X8 (11)	XA9-0724-000CN	92	9
Screw, M3X6 (9)	0515-2672	92	25
Screw, M3X6	XA9-0686-000CN	94	18
Screw, M3X8	XA9-0724-000CN	94	17
Screw, M3X8	XB4-7300-807CN	91	503
Screw, M3X8 (2)	XA9-0724-000CN	88	16
Screw, M3X8 (4)	XA9-0614-000CN	90	24
Screw, M4X8 (4)	XA9-0497-000CN	88	502
Screw, RS, M3X10	XA9-0824-000CN	94	20
Screw, RS, with washer, M3X8	XA9-0855-000CN	92	10
Screw, tapping, pan head, M4X10 (2)	XB4-7401-000CN	96	501
Screw, tapping, truss head, M3X8	XB4-7300-809CN	93	502

**Table 38. Alphabetical parts list**

<b>Part name</b>	<b>Part number</b>	<b>Figure #</b>	<b>Reference</b>
Screw, tapping, truss head, M3X8 (7)	XB4-7300-807CN	89	501
Screw, tapping, truss head, M4X8 (3)	XB4-7400-807CN	92	501
Screw, TP, M3X12	XA9-0382-000CN	93	22
Screw, TP, M3X4 (4)	XA9-0434-000CN	92	19
Screw, TP, M3X6 (2)	XA9-0267-000CN	93	21
Screw, TP, M3X8	XA9-0476-000CN	88	14
Screw, TP, M3X8 (5)	XB6-7300-807CN	93	501
Screw, with star washer, M3X4	XA9-0828-000CN	95	16
Screw, with washer, M3X6 (4)	XA9-0890-000CN	95	17
Separation guide assembly	RG5-3475-040CN	94, 98	
Separation pad kit	RY7-5008-000CN	96	2
Separation pad kit for document scanner path	RY7-5055-000CN	89	10
Sheet, arching (2)	RB2-3365-000CN	90	1
Single-sheet input slot assembly	RG5-4763-000CN	88	10
Solenoid	RH7-5139-000CN	96	13
Spacer	RB2-3454-000CN	89	15
Spacer	RB9-0227-000CN	93	24
Spacer, PCB (7)	RB2-3347-000CN	95	3
Speaker	RH6-3845-000CN	95	7
Speaker mount	RB2-3346-000CN	95	1
Spring, compression	RS5-2501-000CN	96	14
Spring, compression	RS5-2508-000CN	94	19
Spring, grounding	RB1-7172-000CN	96	1
Spring, grounding	RB1-7199-000CN	96	7
Spring, tension	RB1-7294-000CN	98	6
Spur assembly inside (2)	RG5-3478-000CN	99	7
Spur assembly outside (2)	RG5-3479-000CN	99	6
Strap	RB2-3354-000CN	89	1
Switch lever assembly	RG5-3453-000CN	93	16
Top cover	RB2-3450-000CN	88	7

**Table 38. Alphabetical parts list**

<b>Part name</b>	<b>Part number</b>	<b>Figure #</b>	<b>Reference</b>
Transfer guide	RF5-2358-000CN	94	6
Transfer guide assembly	RG5-3452-000CN	94	21
Transfer roller	RF5-1534-000CN	94	7
Upper guide assembly—LJ 3100	RG5-4221-000CN	89	
Upper guide assembly—LJ 3150	RG5-4768-000CN	89	

# Numerical parts list

**Table 39. Numerical parts list**

Part number	Part name	Figure #	Reference
0515-2672	Screw, M3X6 (9)	92	25
C3948-00002	RFI shield	92	23
C3948-00010	Control panel overlay—German	87	7
C3948-00019	Control panel overlay—Danish	87	7
C3948-00021	Control panel overlay—Norwegian	87	7
C3948-00022	Control panel overlay—Swedish	87	7
C3948-00037	Control panel overlay—Traditional Chinese	87	7
C3948-00038	Control panel overlay—Israel/Hebrew	87	7
C3948-40010	I/O bezel	88	1
C3948-60003	LIU board (U.S.)	92	24
C3948-60004	LIU board (worldwide)	92	24
C3948-60102	Cable, LIU	95	
C3949-60001	Formatter—LJ 3100	92	22
C3949-60002	Formatter—LJ 3150	92	22
C3949-69001	Formatter—LJ 3100 (exchange)	92	22
C3949-69002	Formatter—LJ 3150 (exchange)	92	22
C4256-00006	Control panel overlay—Polish	87	7
C4256-00007	Control panel overlay—Simplified Chinese	87	7
C4256-00020	Control panel overlay—Finnish	87	7
C4256-00033	Control panel overlay—Spanish	87	7
C4256-00034	Control panel overlay—Italian	87	7
C4256-00035	Control panel overlay—Russian	87	7
C4256-00036	Control panel overlay—Dutch	87	7
C4256-00037	Control panel overlay—French	87	7
C4256-00038	Control panel overlay—Hungarian	87	7
C4256-40001	Nameplate—LJ 3150	87	5
CK-8006-000CN	Pressure roller grease	94	
FA9-1449-000CN	Screw—LJ 3100	89	20
RB1-7105-000CN	Pressure release lever	93	3
RB1-7107-000CN	Gear holder	93	5

**Table 39. Numerical parts list**

<b>Part number</b>	<b>Part name</b>	<b>Figure #</b>	<b>Reference</b>
RB1-7129-000CN	Grounding metal	94	8
RB1-7130-020CN	Cable guide	92	6
RB1-7172-000CN	Spring, grounding	96	1
RB1-7176-000CN	Guide sheet	92	11
RB1-7177-000CN	Frame, paper feed	96	20
RB1-7184-000CN	Bushing	96	5
RB1-7185-000CN	Arm, plate, left	96	16
RB1-7186-000CN	Arm, plate, right	96	17
RB1-7197-020CN	Clutch	96	6
RB1-7199-000CN	Spring, grounding	96	7
RB1-7223-000CN	Grounding clip	94	1
RB1-7234-000CN	Cap	92	7
RB1-7246-000CN	Bushing (2)	94	2
RB1-7247-000CN	Paper guide	92	2
RB1-7255-000CN	Left side plate	94	13
RB1-7256-000CN	Right side plate	94	12
RB1-7284-020CN	Delivery roller #1 (4)	99	1
RB1-7286-000CN	Delivery spring #1 (4)	99	3
RB1-7287-000CN	Delivery spring #2 (2)	99	4
RB1-7288-020CN	Bushing (2)	93	2
RB1-7293-000CN	Lever, sensor	98	5
RB1-7294-000CN	Spring, torsion	98	6
RB1-7334-000CN	Jammed paper protector	99	8
RB1-7341-030CN	Right cartridge guide #1	94	3
RB1-7385-020CN	Grounding spring	93	20
RB2-1632-000CN	Gear support plate	93	4
RB2-1685-000CN	Delivery roller #2 (2)	99	2
RB2-1690-000CN	Fuser roller bushing	98	4
RB2-1699-000CN	Feed roller	97	1
RB2-3341-000CN	Right cover	88	2
RB2-3342-000CN	Bottom plate	95	2
RB2-3345-000CN	Cap	92	1



**Table 39. Numerical parts list**

<b>Part number</b>	<b>Part name</b>	<b>Figure #</b>	<b>Reference</b>
RB2-3346-000CN	Speaker mount	95	1
RB2-3347-000CN	Spacer, PCB (7)	95	3
RB2-3350-000CN	Cable guide, formatter	92	3
RB2-3351-000CN	Cable tube	89	13
RB2-3354-000CN	Strap	89	1
RB2-3360-000CN	Left cover	88	3
RB2-3361-000CN	Rear cover	88	4
RB2-3362-000CN	Paper input support	87	1
RB2-3364-000CN	Metal plate	92	5
RB2-3365-000CN	Sheet, arching (2)	90	1
RB2-3366-000CN	Cable guide holder, formatter	92	8
RB2-3393-000CN	One-touch pad overlay sheet	87	6
RB2-3401-000CN	Duct, 1	90	4
RB2-3402-000CN	Duct, 2	90	5
RB2-3409-000CN	Cable guide	89	19
RB2-3410-000CN	Paper output support	87	2
RB2-3436-000CN	Document scanner guide	89	5
RB2-3448-000CN	Paper path lever—LJ 3150 (darker in color)	88	12
RB2-3449-000CN	Front casing	88	6
RB2-3450-000CN	Top cover	88	7
RB2-3451-000CN	Left front cover	88	8
RB2-3452-000CN	Pressure release lever cover	88	11
RB2-3453-000CN	Paper path lever—LJ 3100 (lighter in color)	88	12
RB2-3454-000CN	Spacer	89	15
RB2-3455-000CN	Document feeder support	87	3
RB2-3465-000CN	Left hinge holder	92	17
RB2-3466-000CN	Right hinge holder	92	18
RB2-3467-000CN	Grounding plate (2)	92	13
RB2-3468-000CN	Left hinge cover	89	17
RB2-3469-000CN	Right hinge cover	89	18
RB2-3470-000CN	Document output support	87	4
RB2-4118-000CN	Grounding plate	92	12

**Table 39. Numerical parts list**

<b>Part number</b>	<b>Part name</b>	<b>Figure #</b>	<b>Reference</b>
RB9-0227-000CN	Spacer	93	24
RF5-1514-020CN	Left cartridge guide	94	10
RF5-1515-020CN	Right cartridge guide #2	94	9
RF5-1517-020CN	Pressure plate	94	5
RF5-1533-000CN	Pressure roller ground guide	94	14
RF5-1534-000CN	Transfer roller	94	7
RF5-2358-000CN	Transfer guide	94	6
RF5-2364-000CN	Pressure roller	94	4
RF5-2367-000CN	Exit roller	93	17
RF5-2368-000CN	Fuser exit roller assembly	98	7
RF5-2372-000CN	Plate, middle	96	18
RF5-2663-000CN	Foot (4)	95	4
RF5-2664-000CN	Reinforcement plate	92	4
RG5-1947-000CN	Paper feed drive assembly	96	9
RG5-2029-000CN	Cable, paper pickup	95	8
RG5-2032-000CN	Cable, thermistor	95	10
RG5-2033-000CN	Cable, motor	95	11
RG5-2035-000CN	Cable, laser	95	5
RG5-3452-000CN	Transfer guide assembly	94	21
RG5-3453-000CN	Switch lever assembly	93	16
RG5-3474-020CN	Delivery assembly	92, 99	
RG5-3475-040CN	Separation guide assembly	94, 98	
RG5-3476-000CN	Face-up/face-down lever	98	2
RG5-3478-000CN	Spur assembly inside (2)	99	7
RG5-3479-000CN	Spur assembly outside (2)	99	6
RG5-3484-070CN	Paper pickup assembly	92, 96	
RG5-3485-030CN	Feed assembly	96, 97	
RG5-3486-040CN	Pickup roller assembly	92, 96	
RG5-3488-000CN	Input bin assembly	88	9
RG5-3497-050CN	Laser/scanner assembly	93	19
RG5-3661-000CN	Cable, scanner	95	12
RG5-3662-000CN	Cable, door switch	95	9

**Table 39. Numerical parts list**

<b>Part number</b>	<b>Part name</b>	<b>Figure #</b>	<b>Reference</b>
RG5-4220-000CN	Printer door assembly—LJ 3100	89, 90	
RG5-4221-000CN	Upper guide assembly—LJ 3100	89	
RG5-4233-000CN	Cable, contact image sensor (J1004 to J903)	89	21
RG5-4237-000CN	Cable, grounding, document scanner motor	92	20
RG5-4238-000CN	Cable, CIS grounding	89	22
RG5-4239-000CN	Contact image sensor assembly	89	11
RG5-4241-000CN	Control panel assembly—LJ 3100	89	
RG5-4678-000CN	Fixing assembly, 110 V	94	16
RG5-4681-000CN	Fixing assembly, 220 V	94	16
RG5-4690-000CN	ECU, 110 V	95	18
RG5-4691-070CN	ECU, 220 V	95	18
RG5-4763-000CN	Single-sheet input slot assembly	88	10
RG5-4768-000CN	Upper guide assembly	89	
RG5-4769-000CN	Control panel assembly—LJ 3150	89	
RG5-4770-000CN	Printer door assembly—LJ 3150	89, 90	
RG5-4771-000CN	Document scanner assembly	89, 91	
RG5-4772-000CN	Pickup roller assembly, document scanner	91	1
RH2-5346-000CN	Cable, formatter	95	6
RH6-3845-000CN	Speaker	95	7
RH7-1320-000CN	Motor, DC 12V	93	7
RH7-1376-000CN	Motor, AC 1.08W	91	19
RH7-5139-000CN	Solenoid	96	13
RS5-0796-000CN	Pressure roller gear (27T)	94	11
RS5-2501-000CN	Spring, compression	96	14
RS5-2508-000CN	Spring, compression	94	19
RY7-5005-000CN	Gear kit #1	93	1
RY7-5007-000CN	Fuser release kit	93	6
RY7-5008-000CN	Separation pad kit	96	2
RY7-5009-000CN	Input sensor assembly	96	3
RY7-5036-000CN	Gear kit #2	93	8
RY7-5055-000CN	Separation pad kit for document scanner path	89	10

**Table 39. Numerical parts list**

Part number	Part name	Figure #	Reference
VS1-5057-002CN	Fuser connector (2P)	94	15
WE8-5192-000CN	Ferrite ring core	93	23
WT2-0276-000CN	Clamp, wire	95	13
WT2-0367-000CN	Clamp, cable	95	14
WT2-5178-000CN	Cable guide, control panel	92	14
WT2-5178-000CN	Clamp, cable	95	15
WT2-5300-000CN	Cable guide, frame	92	15
XA9-0267-000CN	Screw	92	21
XA9-0267-000CN	Screw, TP, M3X6 (2)	93	21
XA9-0382-000CN	Screw, TP, M3X12	93	22
XA9-0434-000CN	Screw, TP, M3X4 (4)	92	19
XA9-0476-000CN	Screw, TP, M3X8	88	14
XA9-0497-000CN	Screw, M4X8 (4)	88	502
XA9-0614-000CN	Screw, M3X8 (4)	90	24
XA9-0686-000CN	Screw, M3X6	94	18
XA9-0724-000CN	Screw, M3X8 (11)	92	9
XA9-0724-000CN	Screw, M3X8	94	17
XA9-0724-000CN	Screw, M3X8 (2)	88	16
XA9-0779-000CN	Screw	92	16
XA9-0779-000CN	Screw—LJ 3150	89	20
XA9-0824-000CN	Screw, RS, M3X10	94	20
XA9-0828-000CN	Screw, with star washer, M3X4	95	16
XA9-0855-000CN	Screw, RS, with washer, M3X8	92	10
XA9-0890-000CN	Screw, with washer, M3X6 (4)	95	17
XB4-7300-807CN	Screw, M3X8	91	503
XB4-7300-807CN	Screw, tapping, truss head, M3X8 (7)	89	501
XB4-7300-809CN	Screw, tapping, truss head, M3X8	93	502
XB4-7400-807CN	Screw, tapping, truss head, M4X8 (3)	92	501
XB4-7401-000CN	Screw, tapping, pan head, M4X10 (2)	96	501
XB6-7300-807CN	Screw, TP, M3X8 (5)	93	501