

Electronic Accessories

Cable (Interface)

C2950A	IEEE-1284 Bi-Tronics parallel cable - DB-25 (M) connector (type A) to 36 pin Centronics (M) connector (type B) - 2.0m (6.6ft) long
5063-1256	<i>New Part for C2950A</i>
C2951A	IEEE-1284 Bi-Tronics parallel cable - DB-25 (M) connector (type A) to 36 pin Centronics (M) connector (type B) - 3.0m (9.8ft) long
C6518A	Universal serial bus (USB) interface cable - Type 'A' connector to type 'B' connector - 2.0m (6.6ft) long

Interface (Product)

J3110A	Ethernet 10Base-T (RJ-45) EIO network internal print server PC board
J3111A	Ethernet 10Base-T/10Base2 and LocalTalk (RJ-45, BNC, LocalTalk) EIO network PCA
J4135A	JetDirect connectivity card - Has one USB port, one serial (DB9) port and one LocalTalk port - Plugs in the EIO slot on selected DesignJet and LaserJet printers
J4167A	JetDirect 610N token ring LAN interface board - DB-9 and RJ-45 connectors
J6057A	JetDirect 615N internal print server (10Base-T and 100Base-TX) LAN interface board - Plugs into peripheral EIO slot - Has a RJ-45 connector - Comes with software on CD-ROM and manual
J6057AR	JetDirect 615N internal print server (10Base-T and 100Base-TX) LAN interface board - Plugs into peripheral EIO slot - Has a RJ-45 connector - Comes with software on CD-ROM and manual
J6058A	JetDirect 680N internal wireless IEEE-802.11b (Wi-Fi) print server - Plugs into peripheral EIO slot

Memory (Product)

C7845A	32MB, 100-pin SDRAM DIMM memory module
C7846A	64MB SDRAM - 100MHz synchronous DRAM - DIMM package
Q1887AX	<i>New Part for C7846A</i>
C9121A	128MB, 100MHz synchronous SDRAM DIMM memory module

Electronics/Power Cords

Cable

14	C9706-60104	Flat flexible cable - Connects between the DC controller board and the formatter board
15	RG5-6971-000CN	Cable assembly (two 3-pin connectors and a spad lug) - Power cable for the fusing assembly - Connects from the fusing assembly connector to the chassis ground and the low voltage power supply board
16	RG5-6974-000CN	Cable assembly - Connects the toner cartridge E-label reader assembly on the carousel to the DC controller board
17	RG5-7106-000CN	Cable assembly (two 2-pin connectors) - Connects from the low voltage power supply board to the formatter board
18	RG5-7107-000CN	Cable assembly (8-pin, red wire) - (J402 to J134) Connects the low voltage power supply board to the DC controller board
19	RG5-7108-000CN	Cable assembly (8-pin, Purple wire) - (J403 to J133) Connects the low voltage power supply board to the DC controller board
20	RG5-7109-000CN	Cable assembly (two 7-pin connectors) - Connects the DC controller board to the fusing assembly connector
21	RG5-7114-000CN	Cable assembly (two connectors) with shield - Connects between the toner cartridge drive motor and the DC controller board
22	RG5-7115-000CN	Cable assembly (two connectors) - Connects between the roller engaging sensor (PS714) and the DC controller board
23	RG5-7117-000CN	Cable assembly (two connectors) - Connects the engaging sensor (PS 712) on the toner cartridge carousel to the DC controller board
24	RG5-7122-000CN	Cable assembly - 'Y' type cable (three connectors) - The 14-pin connector splits into an 8-pin connector and a 6-pin connector - Connects between the DC controller board and the optional paper tray connector
25	RG5-7123-000CN	Grounding cable assembly - Connects between the optional tray connector housing and the metal right side frame assembly
26	RG5-7126-000CN	Cable assembly (two connectors) - Connects the Sub-high voltage board to the high voltage board
27	RG5-7128-000CN	Cable assembly (four connectors) - Connects between the DC controller board and the leading edge paper sensor for the fusing assembly (PS720) and the waste toner sensor board
28	RG5-7129-000CN	Cable assembly (two connectors and two spade lugs) - Connects the toner cartridge contacts on the left carousel side plate to the high voltage power supply
29	RG5-7130-000CN	High voltage cable assembly - Connects between the high voltage board spring contacts and the cables to the toner cartridge carousel left plate assembly
30	RG5-7144-000CN	Upper cable assembly (with seven connectors) - Interconnects various upper level components to the DC controller board

Electronics/Power Cords

Cable

- 31 RG5-7145-000CN Front cable assembly (six connectors) - Interconnects various components on the front frame assembly and right side to the DC controller board
- 32 RG5-7146-000CN High voltage cable assembly (four connectors) - Connects between the high voltage power supply board and the DC controller board
- 33 RH2-5524-000CN Flat flexible cable (FFC) - Connects between the laser/scanner assembly and the DC controller board

Clutch

- 34 RH7-5366-000CN Electromagnetic clutch assembly (24V) - Electrical clutch between the clutch drive gear and shaft - (CL1) Engages the registration roller assembly, and (CL2) Engages the roller within the imaging drum/transfer assembly from the main gear train

Connector

- 35 RH2-5519-000CN Connector assembly - For optional paper tray - One mounts to the bottom right side of the printer middle frame assembly (Interfaces 250 sheet tray), and the other to the bottom of the 250 sheet tray base assembly (Interfaces 500 sheet tray) - (2 used)
- 36 RH2-5520-000CN Connector for the fusing assembly (F) - 7 small control pins plus 3 separated high current pins - Mounts in the connector housing mounted on the bottom pan of the printer

Cover

- 37 RB3-0120-000CN Solenoid cover (Steel) - Cover for the multi-purpose tray pickup roller solenoid (SL92)

Drive Assembly

- 38 RG5-6911-000CN Rotary drive assembly - Includes the carousel rotating motor (DCM703), toner cartridge drive motor (PM705), developing rotary stopper solenoid (SL93), bracket, and gears - Mounts on the right top rear of the print engine

Fan

- 39 RH7-1537-000CN Cooling fan (Panaflo Model FBA08T24H - 80mm X 80mm X 15mm high, DC brushless, 24V DC, 190mA) - (FM712) Mounts in the airflow guide/fan bracket assembly on the left side of the printer

Ground Plane

- 40 RB2-9942-000CN Grounding plate - Provides grounding for the top-of-page sensor and shielding for the density sensor boards - Mounts on the top left of the front frame assembly
- 41 RB3-0119-000CN Grounding plate - Grounds the paper pick-up solenoid cover to the right side metal chassis

Insulator

- 42 RB3-0056-000CN Insulating sheet (Transparent plastic) - Mounts to the underside of the middle frame assembly

Laser/Scanner

- 43 RG5-6880-000CN Laser/scanner assembly - Mounts in the center of the scanner support assembly

Lever

- 44 RB3-0179-000CN Left side lock release lever - Part of locking system used to secure the fusing assembly in the printer

Motor

- 45 RF5-4010-000CN Main motor assembly - Large motor mounted on a controller PC board - Mounts on the inside of the metal right side frame assembly
- RF5-4010-020CN New Part for RF5-4010-000CN*
- 46 RG5-6958-000CN Rotary motor assembly - (DCM703) Rotates the four color toner cartridges in the carousel to position one of them for printing
- 47 RH7-1533-000CN Stepping motor - 24V DC - (PM704) Swings (or engages) the toner cartridge carousel in place to transfer toner - Mounts in the recess on the left side of the rear frame assembly
- 48 RH7-1535-000CN Stepping motor (24V) - (PM705) Used to drive the internal rollers and mechanisms in the toner cartridge when it has been rotated in the printing position on the carousel

PC Board

- 49 C9145-69001 Formatter board assembly - Includes the formatter board and all the metal cage covers - Mounts towards the rear on the metal right frame assembly
REQUIRES RETURN OF DEFECTIVE PART
- C9145-67901 New Part for C9145-69001*
- 50 C9705-69003 DC controller board - Mounts on the left side of the printer (Behind the formatter board assembly)
REQUIRES RETURN OF DEFECTIVE PART
- RG5-6959-060CN New Part for C9705-69003*
- 51 RG5-6964-000CN Carousel position and toner level photoelectric sensor PC board - 'L' Shaped PC board with the two sensors - (PS51) Mounts on the left plate in the toner cartridge carousel

Electronics/Power Cords**PC Board**

52	WG8-5382-000CN	Sensor PC board - Small board with flag activated photosensor - (PS718) Paper sensor for the multi-purpose tray, (PS720) fusing assembly front of page sensor, and (PS716/PS717) paper feed/out sensors in the 250 sheet tray assembly (four used)
53	RG5-6965-000CN	Waste toner sensor PC board - Small board with an LED and photoelectric sensor - Monitors the level of the excess toner deposited in the imaging drum/transfer assembly - Mounts on the right side wall of the front frame assembly
54	RG5-6966-000CN	Top of page photoelectric sensor PC board - Includes the photoelectric top of page sensor and the print engine test switch - (PS71 and SW71) Mounts in the upper left corner of the front frame assembly
55	RG5-6967-000CN	Registration sensor PC Board - Small board with flag activated photosensor - (PS711) Mounts in the registration assembly on the underside of the middle frame
56	RH7-7146-000CN	Density photoelectric sensor PC board - (PS81) Mounts under the light blocking pad on the top of the front frame assembly

Plate

57	RB3-0057-000CN	Transfer slide plate - Small 'U' shaped metal insert plates - Mount in the bushing wells for the transfer roller on the middle frame assembly (two used)
58	RB3-0065-000CN	Contact plate - copper clad metal spring - Holds the left end of the small 500 Meg-ohm resistor - Mounts on the left side of the middle frame below the entrance guide assembly
	RB3-0066-000CN	Contact plate - copper clad metal spring - Holds the right end of the small 500 Meg-ohm resistor - Mounts on the left side of the middle frame below the entrance guide assembly
60	RB3-0286-000CN	Contact plate - Runs between the shaft on the registration roller and the metal entrance guide assembly

Power Cord

8120-6800	Power cord (Flint Gray) - 16 AWG, 2.3m (7.5ft) long - Has straight (F) receptacle (For 240V in Israel)
8120-6809	Power cord (Dove Gray) - 2.3m (7.5ft) long - Has straight (F) receptacle (For 240V operation in the United Kingdom, Hong Kong, Singapore, Malaysia)
8120-6810	Power cord (Flint Gray) - 2.3m (7.5ft) long - Has straight (F) receptacle (For 240V operation in Australia, New Zealand)
8120-6811	Power cord (Flint Gray) - 17 AWG, 2.3m (7.5ft) long - Has straight (F) receptacle (For 220V in Europe, Saudi Arabia, South Africa, India, and Korea)
8120-6812	Power cord (Flint Gray) - 18 AWG, 2.3m (7.5ft) long - Has straight (F) receptacle (For 120V in the USA, Canada, Mexico, Philippines, and Taiwan)
8120-6813	Power cord (Flint Gray) - 17 AWG, 2.3m (7.5ft) long - Has straight (F) receptacle (For 220V in South Africa, Saudi Arabia, and India)
8120-6814	Power cord (Flint Gray) - 17 AWG, 2.3m (7.5ft) long - Has straight (F) receptacle (For 220V in Denmark)
8120-6815	Power cord (Flint Gray) - 17 AWG, 2.3m (7.5ft) long - Has straight (F) receptacle (For 220V in Switzerland)

Power Supply

69	RG5-6960-000CN	High voltage power supply board (HVT) assembly - Has contacts for the eight high voltage springs in the printer - Mounts in the bottom pan (Towards the front of the printer)
70	RG5-7124-000CN	Sub-high voltage board - Small auxillary PC board - Mounts in a holder just above the high voltage board
71	RH3-2241-000CN	Low voltage power supply - For 110V to 127V AC operation - Includes the AC power input connector and power switch - Mounts in the bottom pan towards the rear of the printer
72	RH3-2243-000CN	Low voltage power supply - For 220V to 240V AC operation - Includes the AC power input connector and power switch - Mounts in the bottom pan towards the rear of the printer

Reader

73	RG5-6956-000CN	E-label reader (contact board ONLY) - Connects the cartridge nonvolatile memory to the DC controller board - Mounts in the E-label reader assembly
74	RG5-6957-000CN	E-label reader assembly - Connects cartridge nonvolatile memory to the DC controller board - One for the imaging drum/transfer assembly, the other for toner cartridges - One mounts to the the front frame assembly, the other to the toner cartridge carousel assembly

Sideplate

75	RG5-6942-000CN	Left side carousel plate assembly - End plate under the rotational toner cartridge carousel - Includes all of the high voltage contacts for the toner cartridges - Mounts on the metal carousel support frame
----	----------------	---

Solenoid

76	RH7-5337-000CN	Solenoid assembly - (SL92) Lever on the solenoid disengages the stop on the drive gear on the paper pick-up roller for the multi-purpose input tray (tray 1)
77	RH7-5340-000CN	Solenoid assembly - (SL93) Engages to stop rotation when the proper toner cartridge on the carousel is in place for printing

Electronics/Power Cords**Spring**

78	RB3-0016-000CN	Electrical contact spring - Spring steel wire with compression springs formed on both ends - One end provides upward pressure on the right bushing for the transfer roller - Connects to high voltage board
79	RB3-0042-000CN	Electrical contact spring - Mounts on the middle frame assembly behind the transfer roller - Of the four similar springs, this one is next to the one on the far left - Connects to high voltage board
80	RB3-0043-000CN	Electrical contact spring - Mounts on the middle frame assembly behind the transfer roller - Of the four similar springs, this one is on the far right - Connects to high voltage board
81	RB3-0044-000CN	Electrical contact spring - (Front) Provides high voltage to the toner cartridge via a cable assembly and connection through the carousel plate assembly - Connects to the high voltage board
82	RB3-0045-000CN	Electrical contact spring - (Rear) Provides high voltage to the toner cartridge via a cable assembly and connection through the carousel plate assembly - Connects to the high voltage board
83	RB3-0046-000CN	Electrical contact spring - Mounts on the middle frame assembly behind the transfer roller - Of the four similar springs, this one is just to the left of the one on the far right - Connects to high voltage board
84	RB3-0047-000CN	Electrical contact spring - Mounts on the underside of the middle frame assembly - Connects to high voltage board
85	RB3-0048-000CN	Electrical contact spring - Mounts on the middle frame assembly behind the transfer roller - Of the four similar springs, this one is on the far left - Connects to the high voltage board

Switch

86	RH7-6051-000CN	Microswitch with lever activator - (SW2) Senses when the top cover is open - Mounts in a holder on the scanner support assembly
----	----------------	---

Thermistor

87	RH7-7149-000CN	Thermistor - (TH3) For detecting internal temperature - Mounts to the right side frame assembly just above the DC controller board
----	----------------	--

External Case Parts**Arm**

88	RB3-0089-000CN	Top cover rack arm (Black) - Plastic arm with teeth on bottom edge - Disengages the imaging drum/transfer assembly drive cams when the top door is open - Mounts on the right side of the top cover door
----	----------------	--

Bezel

89	RB3-0035-000CN	Interface bezel (Quartz Gray plastic) - Vertical cover that surrounds the interface connectors - Mounts on the right rear of the printer
----	----------------	--

Control Panel

90	RG5-6927-000CN	Control panel assembly (mechanical only) - Includes the 'Rotate Carousel', 'Cancel Job' and the 'Go' buttons, plus the various indicator light pipes - All switches and LED's are on the formatter PC board - Mounts to the top of the right cover assembly
----	----------------	---

Cover

91	RB3-0030-000CN	Upper rear cover (Quartz Gray plastic) - Mounts on the upper rear of the printer above the face-up output tray door
92	RB3-0032-000CN	Face-down paper output cover (L-Shaped blue plastic) - Serves as the rear of the tray for the face-down output tray on top of the printer - Mounts in the upper rear of the printer mechanism
93	RB3-0102-000CN	Front inner cover (blue plastic) - Mounts on the front frame above the multi-purpose input tray
94	RB3-0103-000CN	Front lower cover (blue plastic) - Front lower strip below the multi-purpose input tray - Has recessed area for the printer logo
95	RG5-6900-000CN	Top cover assembly (blue plastic) - Includes the molded-in face-down output tray and the lift-up top cover door assembly
96	RG5-6953-000CN	Right side cover assembly (Quartz Gray plastic) - Includes the DIMM memory door - Mounts on the right side of the printer
97	RG5-6902-000CN	Left side cover assembly (Quartz Gray plastic) - Includes the power switch button, rod and spring (The power switch is located on the low voltage power supply board) - Mounts on the left side of the printer
98	RB3-0028-000CN	Left side cover ONLY (Quartz Gray plastic) - Does not include any attaching parts - Mounts on left side of printer

Door

99	RB3-0033-000CN	DIMM memory door (Quartz Gray perforated plastic) - Access door for adding or removing printer memory - Mounts on the right side cover
100	RF5-4007-000CN	Top cover door (blue plastic) - For accessing the toner cartridges and the imaging drum/transfer assembly - Mounts to the top cover frame

External Case Parts

Foot

- 101 RB2-6297-000CN Rubber foot - Square self-adhesive rubber foot - Mounts on the rear of the middle frame assembly - Printer foot (two used)

Holder

- 102 RB3-0006-000CN Holder - Housing for the fusing connector assembly - Mounts on the bottom pan of the printer

Label

- 103 RS6-8662-000CN Image cartridge label - Shows the imaging drum/transfer assembly removal steps - Mounts on the right side of the front inner cover (Visible when the top cover is lifted)

Lever

- 104 RB3-0178-000CN Right side lock release lever - Part of locking system used to secure the fusing assembly in the printer

Rod

- 105 RB3-0037-000CN Power switch rod - Goes between the power button and the power switch on the low voltage power supply board - Mounts on the left side cover

Shaft

- 106 RB2-4933-000CN Lock release shaft (Small shaft with locking tab) - Does NOT include the lock release lever - Used to secure the fusing assembly in the printer (2 used)

Spring

- 107 RS6-2759-000CN Power switch spring - Provides tension for power switch button - Mounts on the left side cover

Tray

- 108 RB3-0176-000CN Face-Up output tray door (ONLY) - Pull-down tray door for face-up output - Mounts to the top of the locking bracket on the fusing assembly
- 109 RG5-6931-000CN Face-up output tray assembly - Includes the pull-down door and fusing assembly locking bracket (Does NOT include the lock releases) - Pull-down tray door for face-up output - Mounts to the rear of the fusing assembly

Fusing Assembly Parts

Bushing

- 110 RB2-2973-000CN Support bushing - Mounts on each end of the pressure roller in the fusing assembly

Fusing Assembly

- 111 RG5-6903-000CN Fusing assembly - For 110V to 127V AC operation - Bonds the toner to the paper with heat - Slides in and locks in lower rear of printer
- 112 RG5-6913-000CN Fusing assembly - For 220V to 240V AC operation - Bonds the toner to the paper with heat - Slides in and locks in lower rear of printer

Guide

- 113 RG5-6929-000CN Separation guide assembly - Includes the plastic guide, label, and the two small spring loaded rollers - Upper case and paper guide for the fusing assembly
- 114 RG5-6930-000CN Lower separation guide assembly - Includes the guide bracket, paper output sensor (PS1) and flag, exit drive shaft with two rubber rollers, shaft gear, and idler gear - Mounts in the lower rear on the fusing assembly

Shaft

- 115 RB2-4933-000CN Lock release shaft (Small shaft with locking tab) - Does NOT include the lock release lever - Used to secure the fusing assembly in the printer (2 used)

Other Accessories

Cartridge

- 116 C9700A HP Color LaserJet smart Black print cartridge - Will print approximately 5,000 pages at 5% coverage
- 117 C9701A HP Color LaserJet smart Cyan print cartridge - Will print approximately 5,000 pages at 5% coverage
- 118 C9702A HP Color LaserJet smart Yellow print cartridge - Will print approximately 5,000 pages at 5% coverage
- 119 C9703A HP Color LaserJet smart Magenta print cartridge - Will print approximately 5,000 pages at 5% coverage
- 120 C9700-67901 HP Color LaserJet smart Black print cartridge - Will print approximately 5,000 pages at 5% coverage - For CREW fulfillment
- 121 C9701-67901 HP Color LaserJet smart Cyan print cartridge - Will print approximately 5,000 pages at 5% coverage - For CREW fulfillment
- 122 C9702-67901 HP Color LaserJet smart Yellow print cartridge - Will print approximately 5,000 pages at 5% coverage - For CREW fulfillment
- 123 C9703-67901 HP Color LaserJet smart Magenta print cartridge - Will print approximately 5,000 pages at 5% coverage - For CREW fulfillment

Other Accessories

Cleaning Supplies

5090-3379 Toner cleaning cloth - Specially treated cloth for absorbing toner (1 per package) - Ideal for clening up toner spills

Drum

- 125 C9704A Imaging drum/transfer assembly cartridge - Inserts into printer through the top door - Life expectancy is 20,000 pages for black print only, 5,000 pages for color (Typical combined life is approximately 6,000 to 8,000 pages)
- 126 C9704-67901 Imaging drum/transfer assembly cartridge - Inserts into printer through the top door - Life expectancy is 20,000 pages for black print ONLY, 5,000 pages for color (Typical combined life is approximately 6,000 to 8,000 pages) - For CREW fulfillment

Manual

- 5851-1468 LaserJet printer family paper specification guide
- C9706-90926 HP Color LaserJet 2500 series service manual

Paper

- Q1298A LaserJet Satin finish tough paper - A size (8.5 x 11-inches) - Will not tear and will withstand outdoor weather conditions - Can print on both sides
- Q1298B LaserJet Satin finish tough paper - A4 size (21.0cm x 29.7cm) - Will not tear and will withstand outdoor weather conditions - Can print on both sides - 50 sheets per box

Tray Assembly

- C9699A Optional 500 sheet paper input tray - Includes tray base which attaches to tray 2, and the slide out paper tray - Accommodates 216mm x 279mm (8.5 x 11 inches) or 210mm x 279mm (8.3 x 11.7 inches) media - Optional 250 sheet tray must be installed first

Other Internal Parts

Airflow Guide

- 132 RB2-9904-000CN Airflow Guide (duct) - Black plastic insert piece which runs the width of the printer and has an air flow hole on right side - Directs air flow from the fan on the left side of the printer to the fusing assembly - Snap locks in center rear of printer
- 133 RB3-0025-000CN Airflow guide (duct) / fan holder bracket assembly (Quartz Gray plastic) - Mounts on the left metal side frame assembly

Bushing

- 134 RB2-9808-000CN Bushing/shaft retainer assembly (Black plastic) - Holds the rotation drive shaft in the right side plate of the toner cartridge carousel (rotary) assembly
- 135 RB2-9809-000CN Bushing/shaft retainer assembly (White plastic) - Holds the rotation drive shaft in the left side plate of the toner cartridge carousel (rotary) assembly
- 136 RS5-1635-000CN Shaft bushing - Mounts on the plate of the multi-purpose paper pick-up gear assembly
- 137 RS5-1637-000CN Bushing (black plastic) - mounts on the left end of the registration roller assembly
- 138 RS5-1638-000CN Bushing - For the registration roller gear drive shaft on the right side of the front frame assembly, and the left side of the feed roller in the 250 sheet paper input tray assembly

Carousel

- 139 RG5-6910-080CN Carousel (Rotary) assembly - Includes the carousel assembly, the support assembly, end plates, drive gears and shaft, sensors, and cables - Mounts towards the rear of the printer in front of the rear frame assembly

Clip

- 140 WT2-5056-000CN Cable clip - Mounts in the opening on the cover for the paper pick-up solenoid
- 141 WT2-5737-000CN Cable clip - Mounts on the base assembly pan (two used)
- 142 XD2-1100-502CN E-ring clip - Secures the dual gear to the drive shaft which drives the registration roller - Located on the inside of the front frame assembly

Cover

- 143 RB3-0052-000CN Gear Cover (Small Black plastic cover) - Protects the idler gear for the transfer roller - Mounts toward the left side of the middle frame assembly
- 144 RB3-0104-000CN Roller cover - Covers the multi-purpose paper pick-up roller assembly - Mounts in the lower portion of the front frame assembly
- 145 RB3-0120-000CN Solenoid cover (Steel) - Cover for the multi-purpose tray pickup roller solenoid (SL92)

Damper

- 146 RB2-6248-000CN Damper assembly (Gray plastic piece with small 13 tooth gear on it) - Helps to reduce clunking when the paper pick-up roller is engaged - engages the paper pick-up roller

Other Internal Parts

Flag

- 147 RB2-9925-000CN Sensor arm and flag - Activates the photosensor (Does NOT include the roller) - For the Leading edge paper sensor for the fusing assembly (PS720) - Protrudes up through the feed plate on the middle frame assembly
- 148 RB3-0135-000CN Test print flag (Black lever) - Used to activate the print engine test switch - Mounts in a metal holder in the upper left of the front frame assembly

Gear

- 149 RB3-0022-000CN 22 tooth gear (Black plastic) - Small gear with diagonally cut teeth - Idler gear between the transfer roller assembly and the feed drive shaft - Mounts on the left side of the middle frame assembly
- 150 RB3-0091-000CN 16 tooth gear (Black plastic) - Gear with large stop tooth and shaft lock tab - Used as part of the mechanism to disengage the drive cams for the imaging drum/transfer assembly - Mounts on the inside of the right side metal chassis assembly
- 151 RB3-0092-000CN 15 tooth gear with drive shaft (Black plastic) - Used as part of the mechanism to disengage the drive cams for the imaging drum/transfer assembly - Mounts on the right side metal chassis frame
- 152 RS7-0418-000CN 26 tooth gear (Black plastic) - Has 1/8th portion of gear cut away - Mounts on the end of the paper pick-up roller for the multi-purpose input tray (tray 1)
- 153 RS7-0424-000CN Dual gear - 20 tooth / 40 tooth - Mounts on the right side of the front frame assembly
- 154 RS7-0425-000CN 30 tooth gear (White plastic) - Part of the drive gears for the registration roller - Mounts on inside of the front frame assembly on the right side
- 155 RS7-0426-000CN Dual gear - 26 tooth / 50 tooth (White plastic) - Part of the drive gears for the registration roller - Mounts on inside of the front frame assembly on the right side
- 156 RS7-0428-000CN 30 tooth gear (White plastic) - Mounts on the end of the registration roller drive shaft
- 157 RS7-0429-000CN 26 tooth gear (White plastic) - Has recess for shaft drive pin - Mounts on the right side of the front frame assembly
- 158 RS7-0435-000CN Dual gear - 32 tooth / 37 tooth (White plastic) - Drives the upper top bin output roller - Mounts on the right side of the rear frame assembly
- 159 RS7-0436-000CN Dual gear - 37 tooth / 43 tooth (White plastic) - Part of the gear train for driving the upper top bin output roller - Mounts on the right side of the rear frame assembly
- 160 RS7-0437-000CN 51 tooth gear (White plastic) - Main drive gear for both the upper and lower top bin output rollers

Gear Assembly

- 161 RG5-6938-000CN Gear assembly - Metal plate with two White plastic gears attached - Part of the drive gears for the paper pick-up roller for the multi-purpose input tray (tray 1) - Mounts on the right side of the front frame assembly

Ground Plane

- 162 RB2-9942-000CN Grounding plate - Provides grounding for the top-of-page sensor and shielding for the density sensor boards - Mounts on the top left of the front frame assembly
- 163 RB3-0119-000CN Grounding plate - Grounds the paper pick-up solenoid cover to the right side metal chassis

Guide

- 164 RB2-9903-000CN Cable guide (Quartz Gray plastic) - Protects and supports the upper cable assembly - Mounts to the right rear on the laser/scanner support assembly
- 165 RB2-9912-000CN Top output bin guide - Small curved ribbed black plastic piece - Snaps on the rear of the printer just below the upper top bin output roller (two used)
- 166 RB2-9954-000CN Left paper feed guide (small Black plastic arm) - Mounts to the left of the separation pad assembly on the lower front frame assembly
- 167 RB2-9955-000CN Right paper feed guide (small Black plastic arm) - Mounts to the right of the separation pad assembly on the lower front frame assembly
- 168 RG5-6935-000CN Left cartridge guide assembly - For the imaging drum/transfer assembly - Mounts on the left metal side frame

Holder

- 169 RB2-9924-000CN Sensor assembly mounting holder - For mounting the leading edge paper sensor for the fusing assembly (PS720) - Mounts to the underside of the middle frame assembly
- 170 RB3-0023-000CN Interlock switch holder (Quartz Gray plastic) - Mounts to the laser/scanner support assembly - Towards the left rear of the printer

Insulator

- 171 RB3-0007-000CN Insulating sheet (Transparent plastic) - Mounts between the bottom pan and the high and low voltage power supply boards
- 172 RB3-0056-000CN Insulating sheet (Transparent plastic) - Mounts to the underside of the middle frame assembly

Other Internal Parts

Pad

- 173 RF5-4047-000CN Light blocking pad assembly - Black plastic frame with soft rubber gasket and stiff conductive Mylar piece (grounded) - Mounts to the top center of the front frame assembly

Plate

- 174 RB2-9916-000CN Mounting/grounding plate - For the engaging motor (PM704) - Mounts in the recess on the upper left side of the rear frame assembly

Pressure Assembly

- 175 RG5-6943-000CN Carousel pressure (support) assembly - Includes the main rear support, E-label reader assembly, engaging sensor, and the engaging rod shaft - Primary support structure for the toner cartridge carousel

Rack Slide

- 176 RB3-0090-000CN Rack slide - White plastic piece with gear teeth layed out in rack form on both sides - Part of the mechanism that disengages the imaging drum/transfer assembly cams when the top cover is opened - Mounts vertically on the metal right side frame

Shaft

- 177 RB3-0060-000CN Idler gear shaft - Short metal rod - Shaft for the transfer and feed drive idler roller - Mounts on the left side of the middle frame assembly

Shield

- 178 RB2-9932-000CN RFI shield - Parallel wire form mounted over the fan - Mounts on the fan air duct assembly on the left side of the printer

Sideplate

- 179 RG5-6932-060CN Right side plate assembly - Includes the front half of the metal frame assembly, gears, imaging drum/transfer assembly drive cams, cover engaging mechanism, roller engaging clutch (CL2), and main drive motor (DCM701) - Mounts on the right side

RG5-6932-070CN New Part for RG5-6932-060CN

- 180 RG5-6934-000CN Right rear side plate assembly - Includes the rear half of the metal right side plate, the fusing assembly drive motor and the three associated gears - Mounts on rear half of right side of printer

Spring

- 181 RB3-0121-000CN Right retaining spring - Helps to secure and ground the imaging drum/transfer assembly in the printer - Mounts on the upper right side of the front frame assembly

- 182 RB3-0122-000CN Left retaining spring - Helps to secure the imaging drum/transfer assembly in the printer - Mounts on the upper left side of the front frame assembly

- 183 RS6-2766-000CN Tension spring - Provides a small amount of return tension for the sensor flag arm on the leading edge sensor for the fusing assembly (PS720)

Support

- RB3-0062-000CN PC board support (Black plastic holder) - For mounting the small sub-high voltage board above the high voltage board

- 185 RG5-6907-000CN Laser/scanner support assembly (sheet metal plate) - Crossmember between the two side frames - Support for the laser/scanner assembly, the toner cartridge carousel drive motor, and the cover interlock switch assembly

Tray

- 186 RB3-0019-000CN Toner catch tray (curved Black plastic piece) - Holds residual toner from photosensitive drum - Mounts just below the toner cartridge carousel on the bottom frame assembly

Paper Input Tray Parts

Guide

- 187 RG5-6951-000CN Paper guide assembly - Paper width adjustable guide assembly for the multi-purpose front input tray (tray 1) - Mounts with the two hinges on the lower portion of the front frame assembly

Hinge

- 188 RB2-3041-000CN Tray hinge - For the left side of the multi-purpose front input tray (tray 1) - Mounts in the lower portion of the front frame assembly

- 189 RB2-3042-000CN Tray hinge - For the right side of the multi-purpose front input tray (tray 1) - Mounts in the lower portion of the front frame assembly

Spring

- 190 RS6-2030-000CN Tension spring - Provides support tension for the multi-purpose front input tray guide assembly (two used)

Paper Input Tray Parts**Tray Assembly**

- 191 RG5-6937-000CN Multi-purpose front input tray assembly (tray 1) - Includes the front cover piece, pull-out paper support, and the flip-out extender - Mounts on front of printer (on the front frame assembly)

Paper Path Parts**Belt**

- 192 RB1-8668-030CN Feed guide drive belt - Small belt approximately 5/16 inch wide with 'A' shaped ribs on it - Between the feed drive roller and the small center roller - Driven via the transfer roller gear train
- 193 RB3-0063-000CN Feed belt - Small black rubber belt approximately 1/8 inch wide with little 'A' shaped ribs on it - Goes between the feed drive roller and the pulley rollers (eight used)

Bushing

- 194 RB2-3043-000CN Left roller bushing - Acts as the bearing and retainer for the left end of the paper pick-up roller assembly (tray 1) - Mounts on the left side of the front frame assembly
- 195 RB2-3044-000CN Right roller bushing - Acts as the bearing and retainer for the right end of the paper pick-up roller assembly (tray 1) - Mounts on the right side of the front frame assembly
- 196 RB3-0014-000CN Bushing assembly (black plastic bushing with small guide roller on top) - Holds the right end of the transfer roller assembly in the middle frame assembly

Drum

- 197 C9704A Imaging drum/transfer assembly cartridge - Inserts into printer through the top door - Life expectancy is 20,000 pages for black print only, 5,000 pages for color (Typical combined life is approximately 6,000 to 8,000 pages)
- 198 C9704-67901 Imaging drum/transfer assembly cartridge - Inserts into printer through the top door - Life expectancy is 20,000 pages for black print ONLY, 5,000 pages for color (Typical combined life is approximately 6,000 to 8,000 pages) - For CREW fulfillment

Flag

- 199 RB2-9925-000CN Sensor arm and flag - Activates the photosensor (Does NOT include the roller) - For the Leading edge paper sensor for the fusing assembly (PS720) - Protrudes up through the feed plate on the middle frame assembly
- 200 RB3-0111-000CN Paper flag - Plastic rod with paper sensing flag on one end and sensor activator flag on the other - Senses paper coming from the multi-purpose front input tray (tray 1)

Guide

- 201 RF5-4049-000CN Entrance guide assembly - Angled metal guide between the registration roller and the transfer roller - Mounts to the middle frame assembly

Pad

- 202 RF5-4012-000CN Separation pad assembly - Includes the separation pad, holder and spring - Mounts below the multi-purpose front input (tray 1) pick-up roller assembly

Plate

- 203 RB3-0010-000CN Feed plate - Center metal plate with slots that the ribs on the middle frame assembly go through - Mounts behind the transfer roller on the middle frame assembly

Pulley

- 204 RB3-0061-000CN Pulley roller (accommodates three feed belts) - Small black roller approximately 3.49cm (1.75-inches) long with three ball type pulleys - Mounts just behind the transfer roller in the middle frame assembly (two used)
- 205 RB3-0067-000CN Pulley roller (accommodates one feed belt) - Small black roller approximately 1.59cm (0.625-inch) long with one ball type pulley - Mounts just behind the transfer roller in the middle frame assembly (two used)

Roller

- 206 RB2-7195-000CN Sensor flag roller (small White plastic roller) - Mounts in the sensor arm flag for the leading edge paper sensor for the fusing assembly (PS720)
- 207 RB2-9908-000CN Pressure roller (small black hard plastic 'disked' roller) - Rides up against the upper top bin output roller on the top rear of the printer (two used)
- 208 RB2-9909-000CN Pressure roller (small Black hard plastic 'solid' roller) - Rides up against the lower top bin output roller on the middle rear of the printer (two used)
- 209 RB3-0012-000CN Belt roller - Small oval shaped roller approximately 1-3/4 inches long - Mounts toward the center of the metal feed plate on the middle frame assembly
- 210 RB3-0160-000CN Paper pick up roller (D-shaped) - Mounts on the paper pick up roller assembly for the multi-purpose front input tray (tray 1)

Paper Path Parts

Roller Assembly

- 211 RF5-4040-020CN Transfer roller assembly - Long black foam type roller - Transfers static charge to paper - Mounts towards the front and on top of the middle frame assembly
- 212 RG5-6897-000CN Upper top bin output roller assembly - Includes the shaft with four rubber rollers, two bushing/shaft retainers, two anti-reversing flaps, and the drive gear - Mounts on the top rear of the printer
- 213 RG5-6936-000CN Lower top bin output roller assembly - Includes the shaft with four rubber rollers, two bushing/shaft retainers, and the drive gear - Mounts in the center on the rear frame assembly (above the fusing assembly)
- 214 RG5-6939-000CN Registration roller assembly - Includes the roller, bushings, mounting plate, paper sensor, and the sensor flag - Mounts from the bottom toward the front center of the middle frame assembly
- 215 RG5-6952-000CN Paper pick-up roller assembly - Includes the shaft, guide assembly cams, the D-shaped roller, and roller retainers - Picks paper from the multi-purpose front input tray (tray 1) - Mounts in the lower portion of the front frame assembly

Shaft

- 216 RB3-0011-000CN Feed drive shaft - Long shaft with eight feed belt ball type pulleys and one ribbed feed guide drive belt pulley - Mounts behind the transfer roller on the middle frame assembly

Shutter

- 217 RG5-6940-000CN Registration shutter assembly - Includes the metal roller, mounting frame, grounding springs, and the dual coupling gear - Mounts over the registration roller at the front of the middle frame assembly

Spring

- 218 RB2-9905-000CN Torsion spring - Provides pressure for the upper top bin output pressure rollers (two used)
- 219 RB2-9906-000CN Torsion spring - Provides pressure for the lower top bin output pressure rollers (two used)
- 220 RB2-9952-000CN Tray 1 flag spring - Provides torsion for the tray 1 paper sensor flag - Mounts in the lower portion of the front frame assembly
- 221 RB3-0015-000CN Compression spring - Provides upward pressure for the left bushing on the transfer roller assembly
- 222 RB3-0016-000CN Electrical contact spring - Spring steel wire with compression springs formed on both ends - One end provides upward pressure on the right bushing for the transfer roller - Connects to high voltage board

Static Dissipater

- 223 RB3-0009-000CN Static eliminator ground plate - Right angled metal piece with small teeth on top edge - Mounts from underneath on the middle frame assembly just behind the pulley rollers

Tray 2 Assembly Parts

Body

- 224 RG5-6915-030CN 250 sheet cassette tray main body assembly - Includes the main structure frame, paper stops, lift plate, springs, and the separation pad assembly - Does NOT include the blue plastic front cover - For the cassette on the 250 sheet input tray assembly

Bushing

- 225 RB2-2895-000CN Shaft bushing/retainer - Pickup roller support bushing on right side - Mounts on and retains the right end of the pick-up roller shaft - For the base on the 250 sheet input tray assembly
- 226 RB2-2896-000CN Shaft bushing/retainer - Pickup roller support bushing on left side - Mounts on and retains the left end of the pick-up roller shaft - For the base on the 250 sheet input tray assembly
- 227 RB2-2897-000CN Shaft bushing/retainer - Mounts on the gear side of the drive shaft for the paper pick-up roller assembly - For the base on the 250 sheet input tray assembly
- 228 RS5-1636-000CN Shaft bushing - Mounts on the gear end of the feed roller shaft in the base on the 250 sheet input tray assembly
- 229 RS5-1638-000CN Bushing - For the registration roller gear drive shaft on the right side of the front frame assembly, and the left side of the feed roller in the 250 sheet paper input tray assembly

Cable

- 230 RG5-7138-000CN Cable assembly - From the sensor (PS717) (which senses paper feeding from optional tray 3) to the small interconnecting PC board on the right side frame/cover assembly - For the base on the 250 sheet input tray assembly
- 231 RG5-7139-000CN Cable assembly - From the paper out sensor (PS716) to the small interconnecting PC board on the right side frame/cover assembly - For the base on the 250 sheet input tray assembly
- 232 RG5-7149-000CN Connector assembly - Includes the 14 pin (F) interface connector and cable assembly - (Tray 2 to printer connector) Connects to the feed drive PC board in the cassette base assembly

Clip

- 233 XD9-0136-000CN Retaining E-ring - Mounts on the left end of the paper feed roller assembly - For the base on the 250 sheet input tray assembly

Tray 2 Assembly Parts

Connector

- 234 RH2-5519-000CN Connector assembly - For optional paper tray - One mounts to the bottom right side of the printer middle frame assembly (Interfaces 250 sheet tray), and the other to the bottom of the 250 sheet tray base assembly (Interfaces 500 sheet tray) - (2 used)

Cover

- 235 RB3-0106-000CN Left side frame/cover (Quartz Gray plastic) - Left side cover and paper tray guide - For the base on the 250 sheet input tray assembly
- 236 RB3-0109-000CN Front cover for the 250 sheet paper cassette tray (blue plastic) - Has molded in paper loading instructions and a "2" on the front - For the cassette on the 250 sheet input tray assembly
- 237 RB3-0165-000CN Top inner cover (black plastic) - Covers the back half of the pressure roller arms and springs - For the base on the 250 sheet input tray assembly
- 238 RB3-0166-000CN Bottom inner cover (black plastic) - Mounts on the bottom of the center frame assembly in the base on the 250 sheet input tray assembly - One covers the paper feed sensor in the center and the other covers sensor wires toward the right side (2 used)
- 239 RB3-0282-000CN Inner cover - Covers the small interconnecting PC board and the connector for tray 3 - Mounts on top of the right side support frame/cover assembly - For the base on the 250 sheet input tray assembly
- 240 RB3-0283-000CN Inner cover - Covers the connector that interconnects the input tray base to the printer - Mounts on the bottom of the right side support frame/cover assembly - For the base on the 250 sheet input tray assembly
- 241 RG5-6919-000CN Right side frame/cover assembly (Quartz Gray plastic) - Includes the right side cover and paper tray guide, the cassette retainer spring, tray 3 connector, printer interface connector, and rubber feet - For the base on the 250 sheet input tray assembly

Cross-Brace

- 242 RB3-0108-000CN Metal support cross-brace - Mounts on the top rear of the left and right support frame/cover assemblies - For the base on the 250 sheet input tray assembly

Flag

- 243 RB3-0130-000CN Shaft mounted sensor flag (black plastic) - For the paper out sensor - Mounts on the paper pick-up roller drive shaft - For the base on the 250 sheet input tray assembly
- 244 RB3-0132-000CN Mechanical sensor flag (black plastic) - For the paper feed sensor - Mounts on top of the center frame assembly - For the base on the 250 sheet input tray assembly

Frame

- 245 RB3-0105-000CN Center support frame (black plastic) - Support structure for the paper pick-up roller, feed roller, and paper sensors - Mounts to the top front of both of the support frame/cover assemblies on the base of the 250 sheet input tray assembly

Gear

- 246 RS7-0430-000CN 26 tooth gear - White gear with 1/8th portion of gear cut away and pin for spring tensioning - Mounts on the end of the paper pick-up roller in the base on the 250 sheet input tray assembly
- 247 RS7-0431-000CN 15 tooth Gear (white plastic) - Mounts on the end of the feed roller shaft in the base on the 250 sheet input tray assembly

Ground Plane

- 248 RB3-0137-000CN Grounding plate - Grounds the paper feed roller - Mounts towards the right end of the center frame assembly - For the base on the 250 sheet input tray assembly

Hook

- 249 RB1-2190-000CN Pick-up roller spring hook - Clips on the pin of the drive gear for the pick-up roller and hooks the tensioning spring - For the base on the 250 sheet input tray assembly

PC Board

- 251 RG5-6968-000CN Interconnecting feed drive PC board - Mounts in the right side cover assembly - For the base on the 250 sheet input tray assembly
- 252 WG8-5382-000CN Sensor PC board - Small board with flag activated photosensor - (PS718) Paper sensor for the multi-purpose tray, (PS720) fusing assembly front of page sensor, and (PS716/PS717) paper feed/out sensors in the 250 sheet tray assembly (four used)

Pad

- 250 RF5-4258-000CN Separation pad assembly - Includes the gray plastic frame with the rubber insert strip - For the cassette on the 250 sheet input tray assembly

Tray 2 Assembly Parts**Roller**

- 253 RB2-2892-000CN Guide roller (Free spinning white plastic roller) - One on each side of the rubber paper pick-up roller - For the base on the 250 sheet input tray assembly

Roller Assembly

- 254 RB3-0129-000CN Feed roller assembly - Includes the metal shaft and two small rubber rollers - Feeds paper from the paper cassette (or tray 3 below) into the printer - Mounts on the top of the center frame in the base on the 250 sheet input tray assembly
- 255 RB3-0161-000CN Paper pick-up roller assembly - Includes the 'D' shaped rubber roller on a plastic shaft - Mounts in the lower center of the center frame assembly - For the base on the 250 sheet input tray assembly
- 256 RF5-4035-000CN Pressure roller and arm assembly - Includes the small white roller, the holding arm, and roller scraper - Rolls against the rubber feed rollers (2 used) - For the base on the 250 sheet input tray assembly

Shield

- 257 RB3-0136-000CN Solenoid cover/magnetic shield - Mounts on the right end of the center frame assembly (over the pick-up solenoid) - For the base on the 250 sheet input tray assembly

Solenoid

- 258 RH7-5341-000CN Solenoid assembly - (SL9) Lever on the solenoid disengages the stop on the drive gear on the paper pick-up roller - For the base on the 250 sheet input tray assembly

Spring

- 259 RB2-2843-000CN Torsion spring - Provides a small amount of back pressure for the paper sensor flag - For the base on the 250 sheet input tray assembly
- 260 RS6-2025-000CN Tensioning spring - Goes between the hook on the pin on the paper pick-up roller drive gear and a pin on the center frame assembly - For the base on the 250 sheet input tray assembly
- 261 RS6-2760-000CN Compression spring - Provides pressure for the pressure rollers on the center frame assembly (2 used) - For the base on the 250 sheet input tray assembly

Stop

- 262 RB2-3019-000CN Shipping stopper (bright orange plastic) - Helps to prevent damage to the paper tray by restricting the movement of the lift plate (Removed for normal use) - For the cassette on the 250 sheet input tray assembly

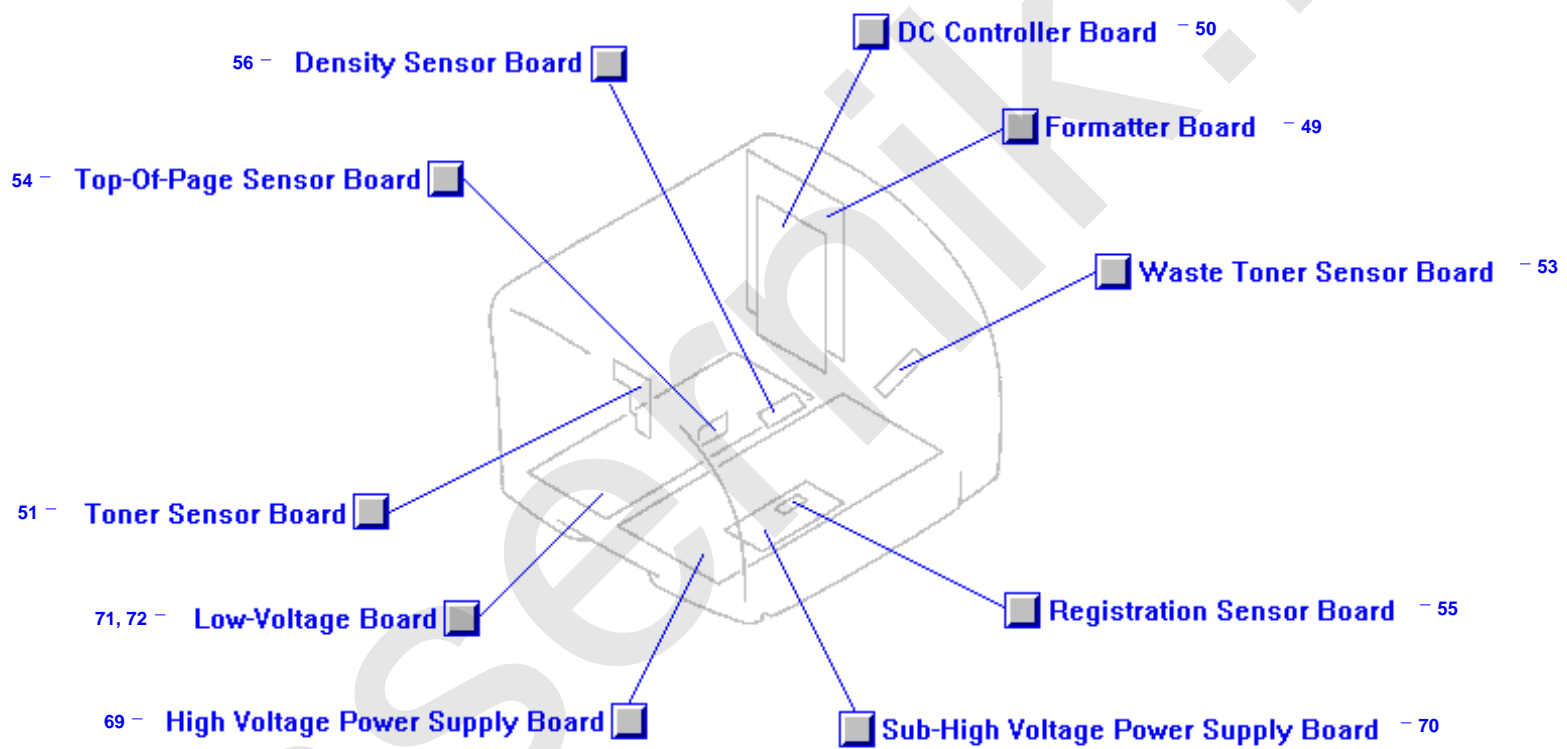
Support

- 263 RB2-9963-000CN Separation pad support - Pivoting 'L' shaped metal support frame (Does NOT include the separation pad assembly) - For the cassette on the 250 sheet input tray assembly

Tray Assembly

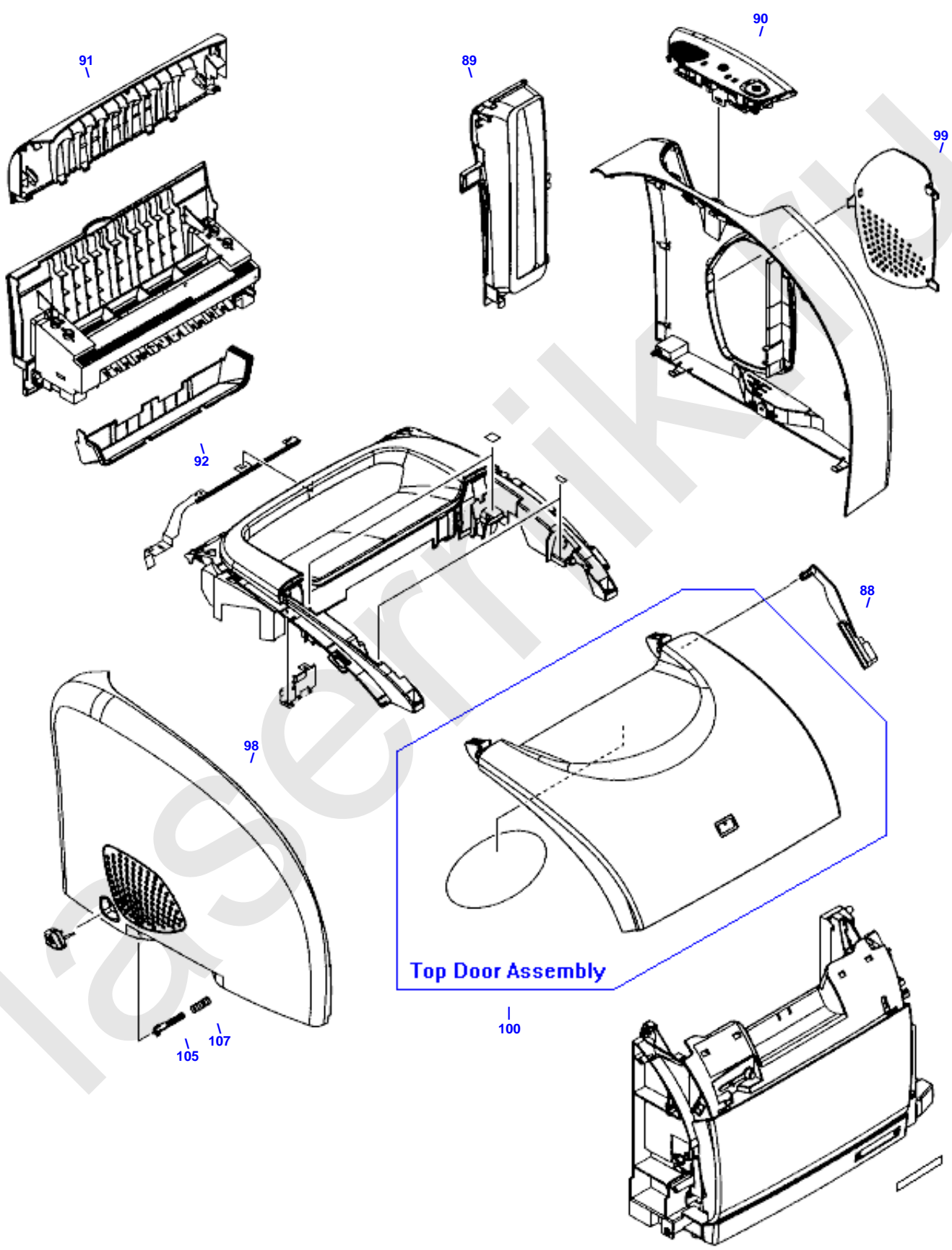
- 264 RG5-6914-030CN 250 sheet paper tray assembly - Pull out cassette that the paper is loaded into - Does NOT include the paper feed base assembly - The cassette on the lower 250 sheet input tray assembly

PC Board Assembly Locator



External Covers

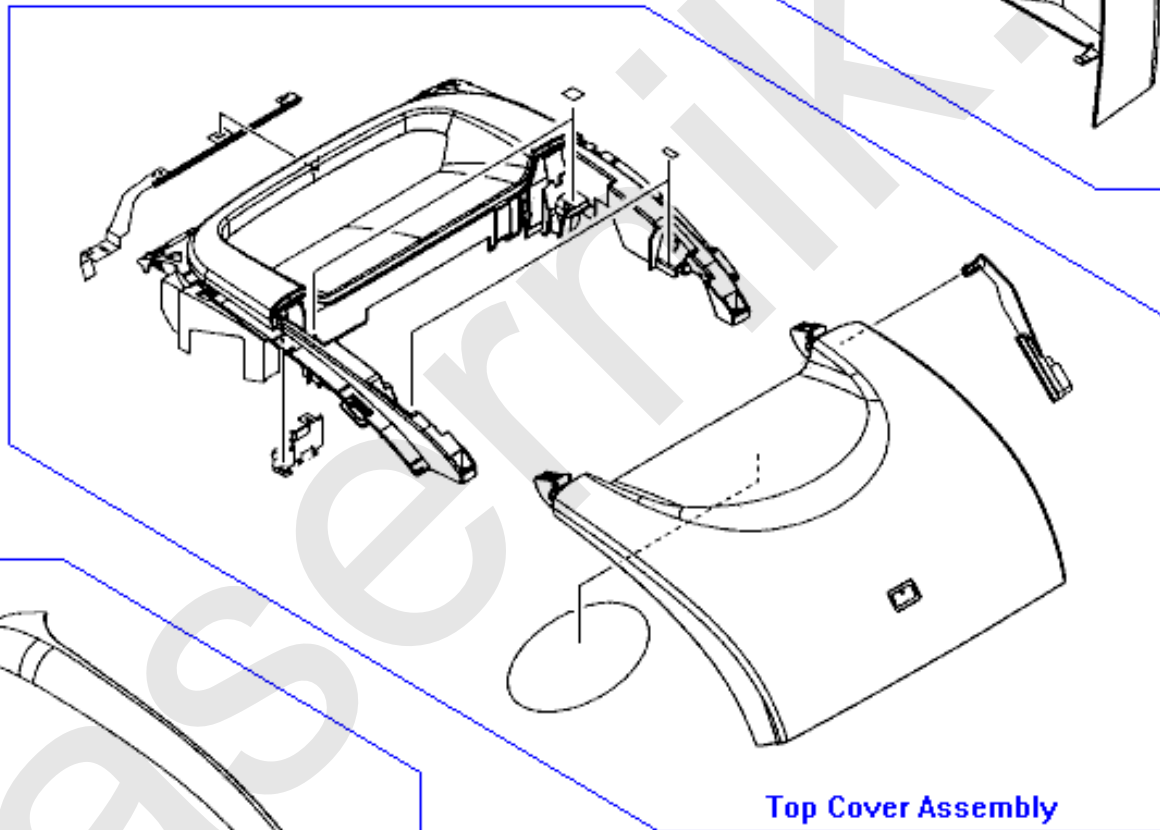
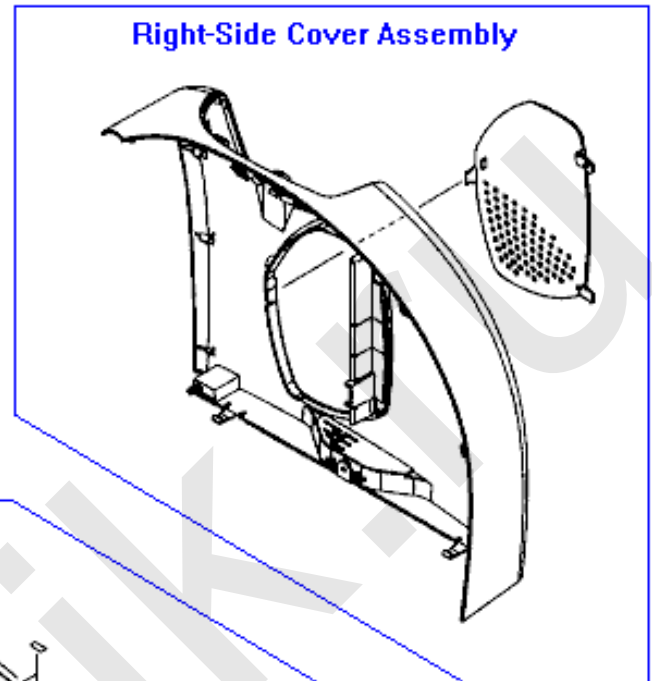
2 of 2 →



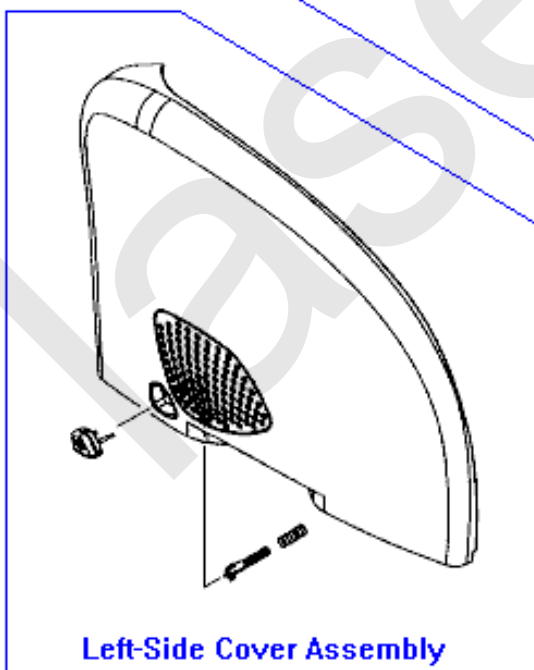
External Covers (Assemblies)

← 1 of 2

96



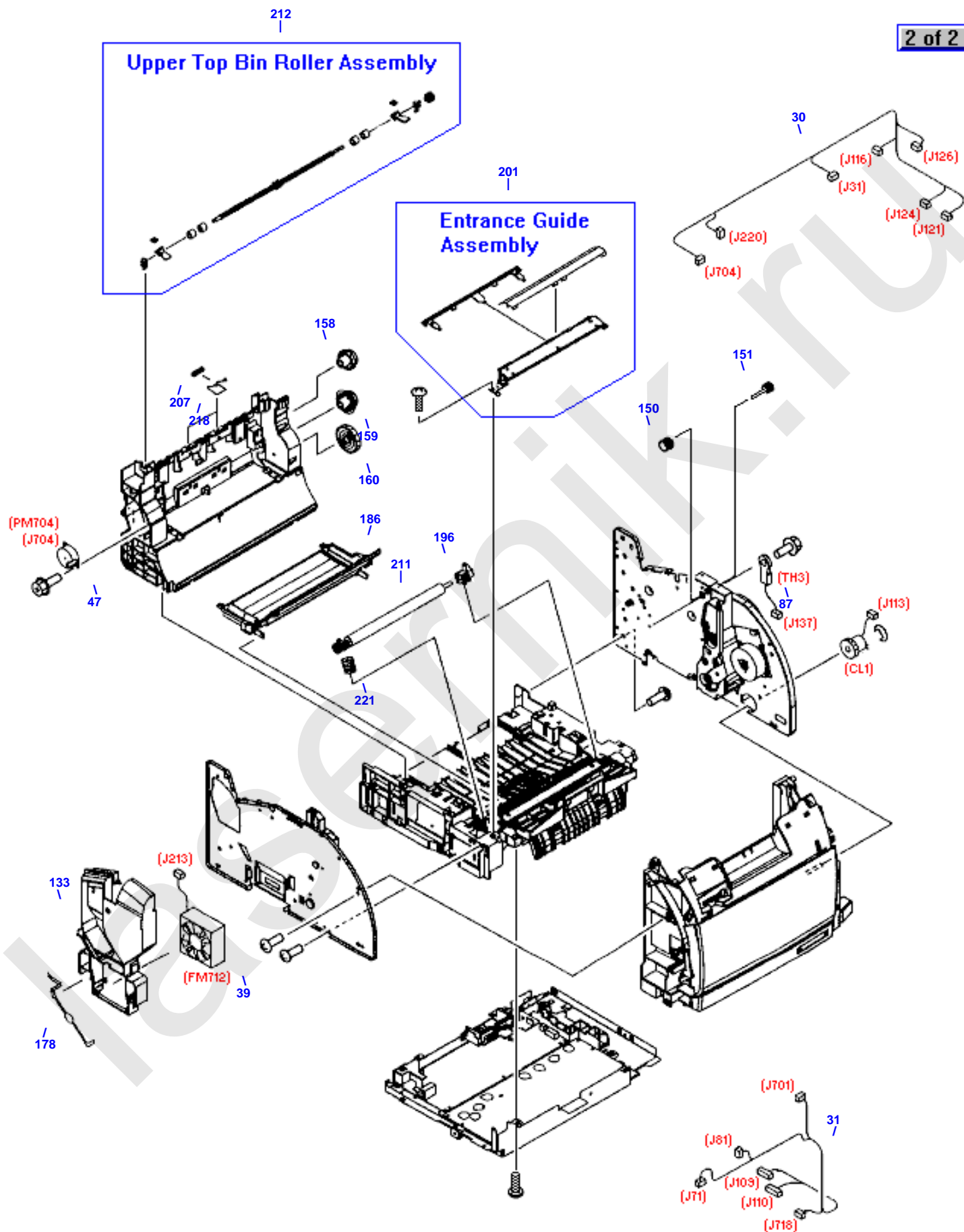
95



97

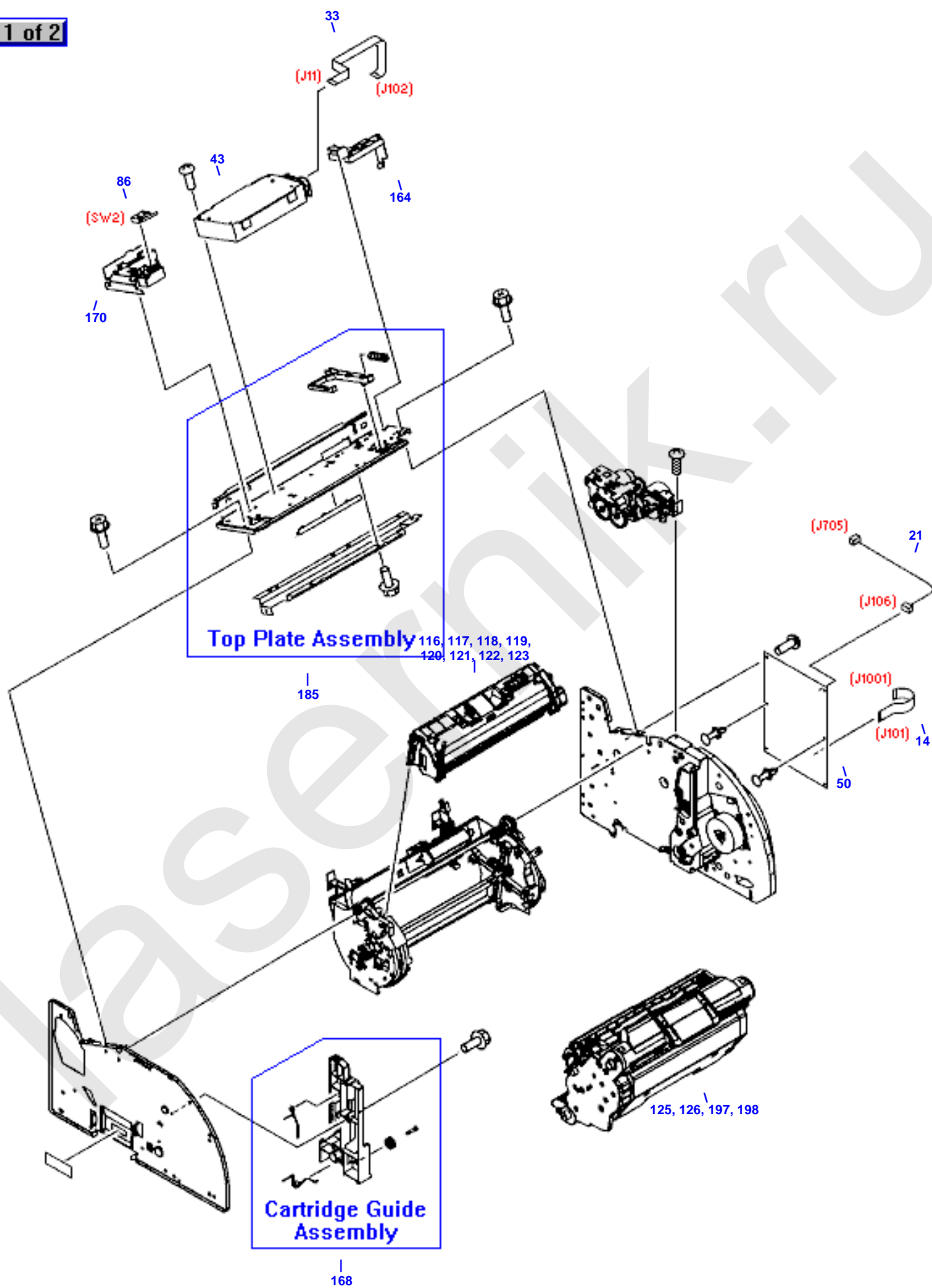
Internal Components (1 of 2)

2 of 2 →



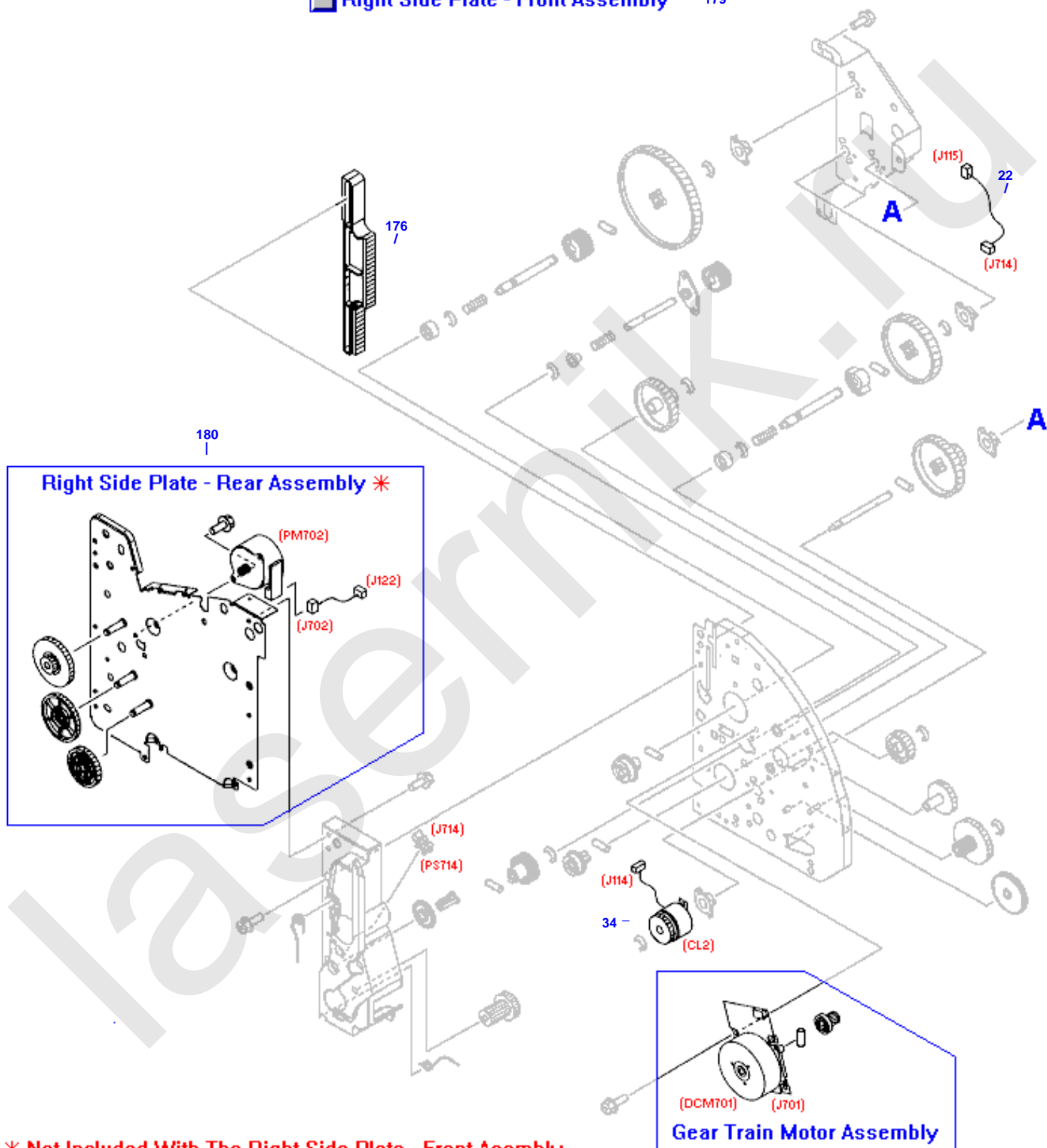
Internal Components (2 of 2)

← 1 of 2



Main Drive Assembly

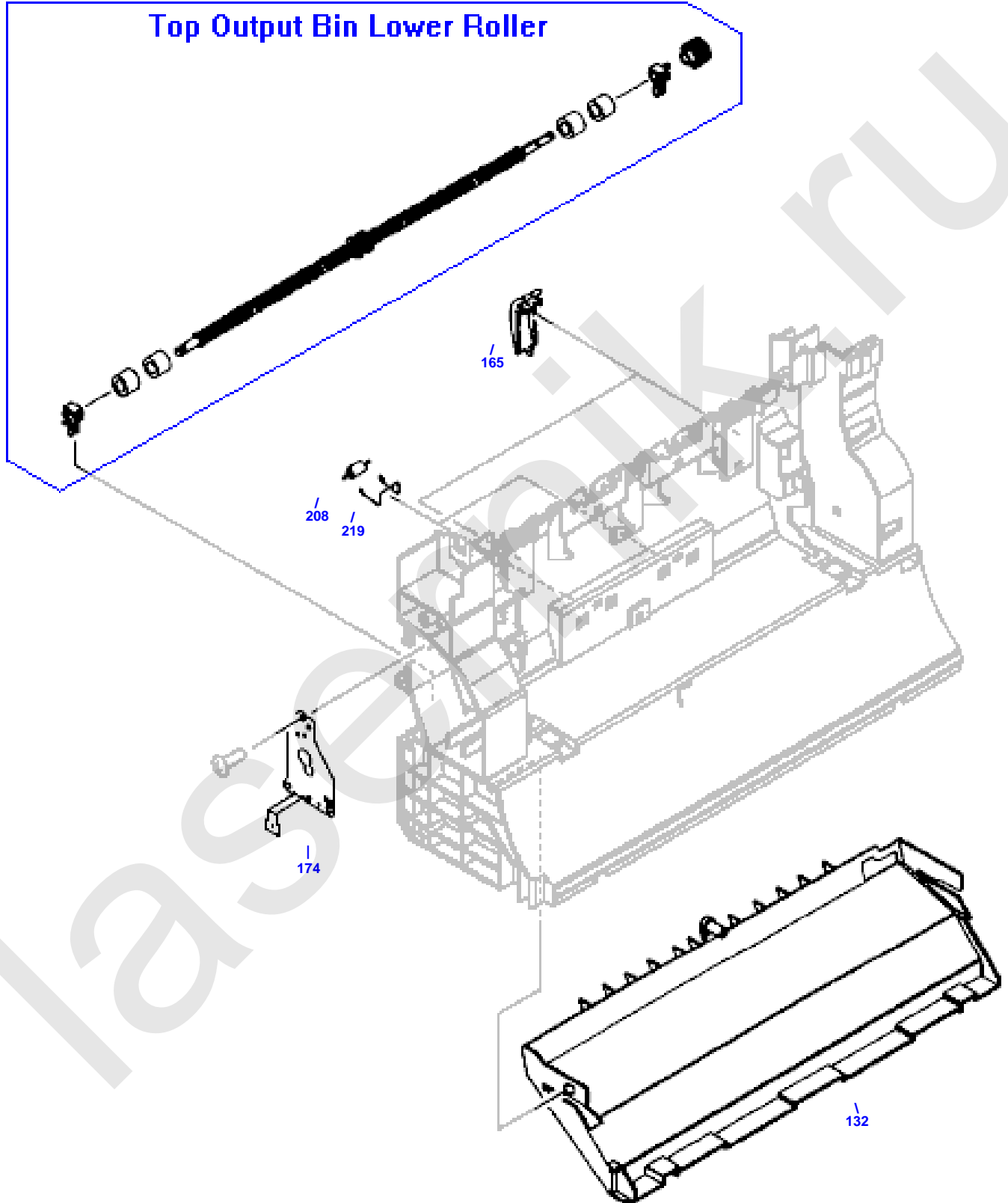
Right Side Plate - Front Assembly - 179



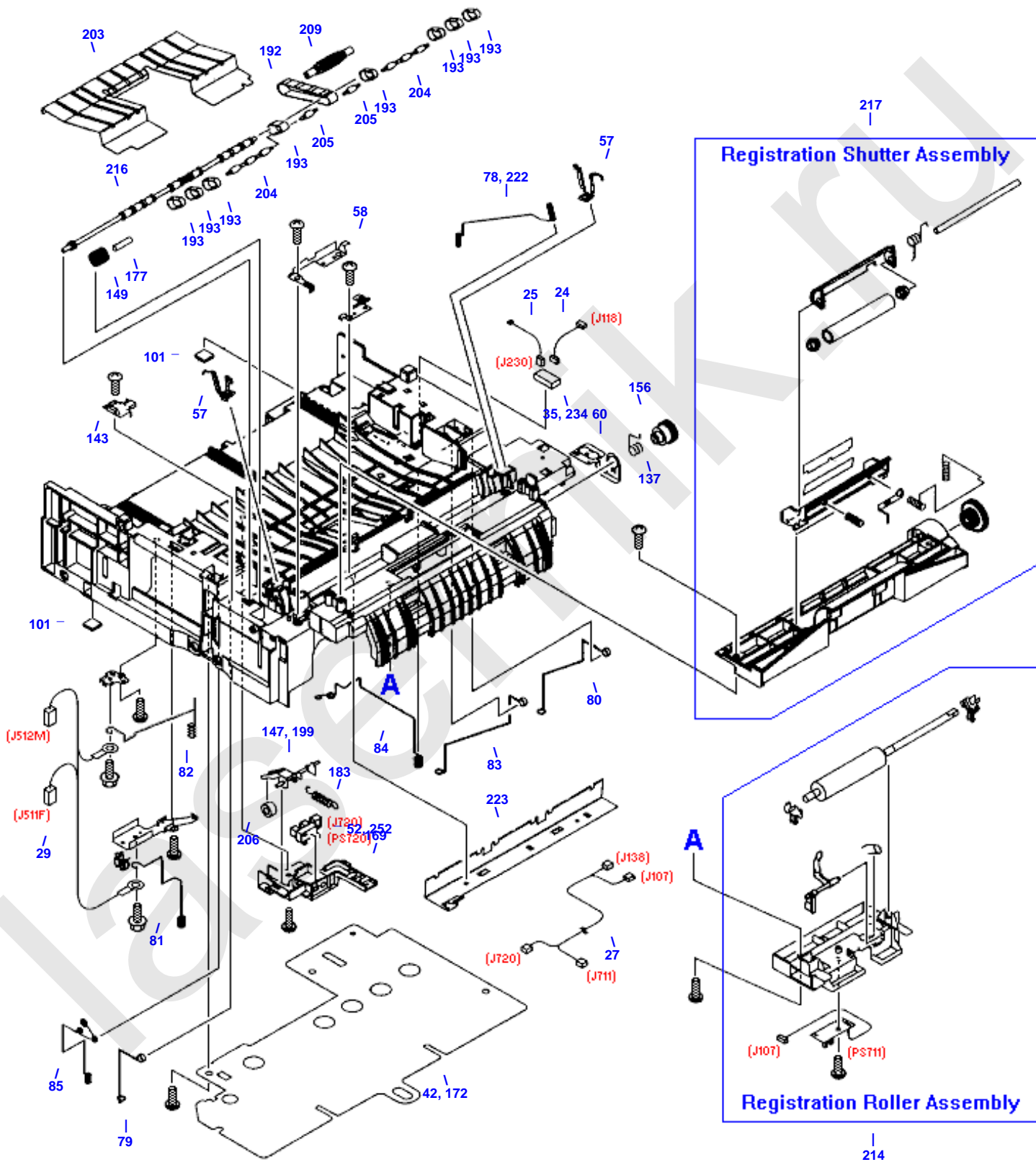
Rear Frame Assembly

213

Top Output Bin Lower Roller

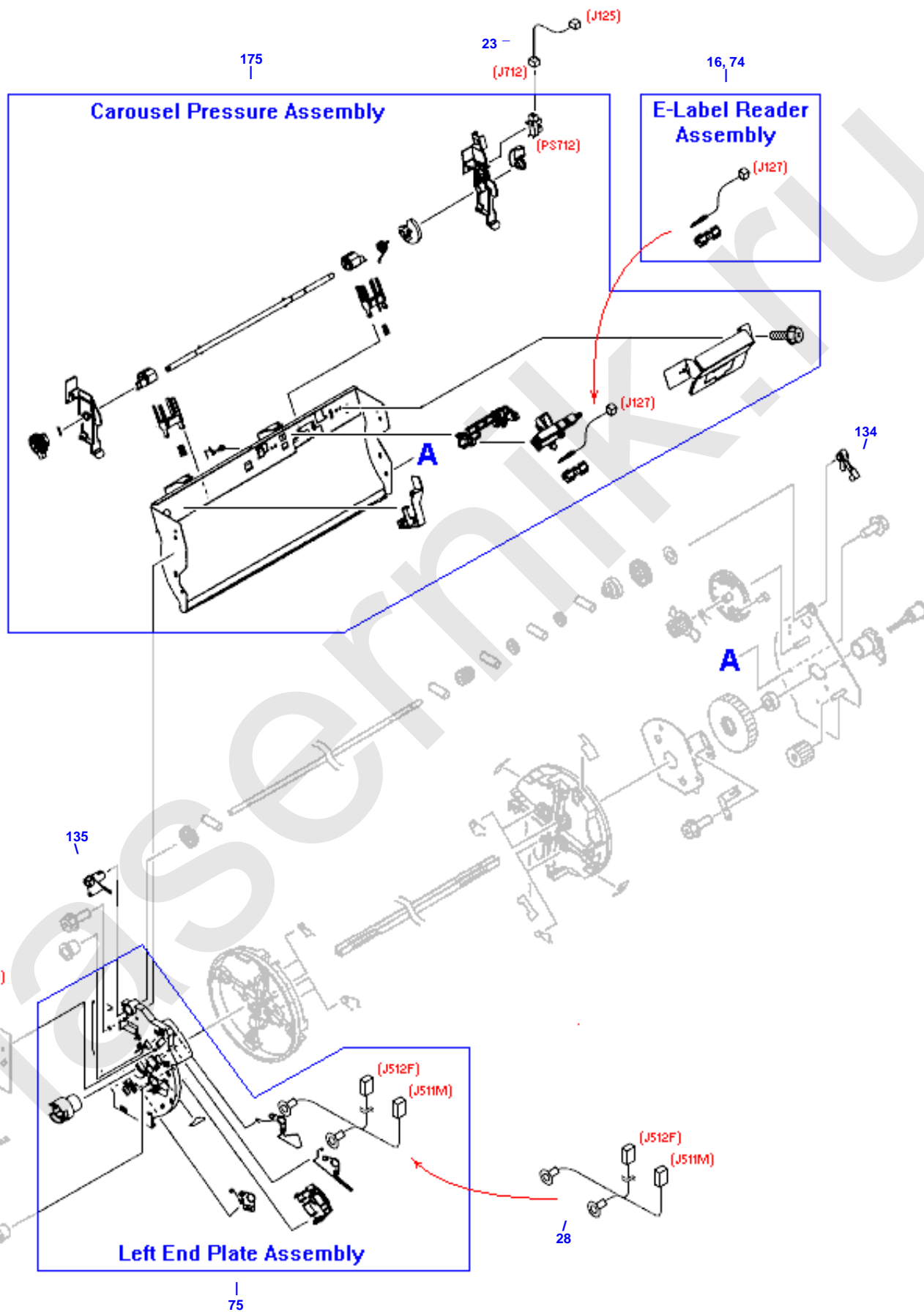


Middle Frame Assembly



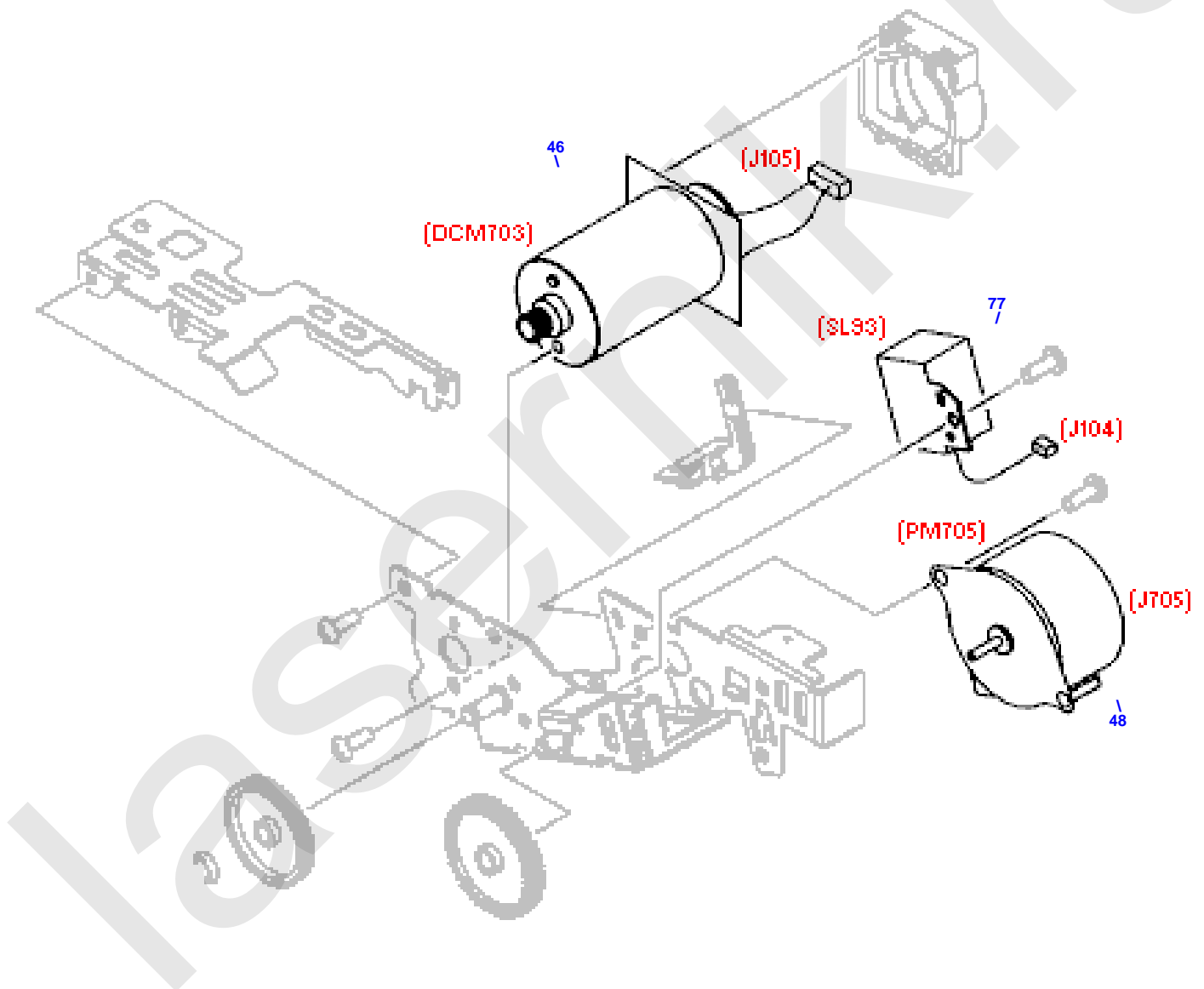
Toner Cartridge Carousel Assembly

 **Carousel Assembly** - 139

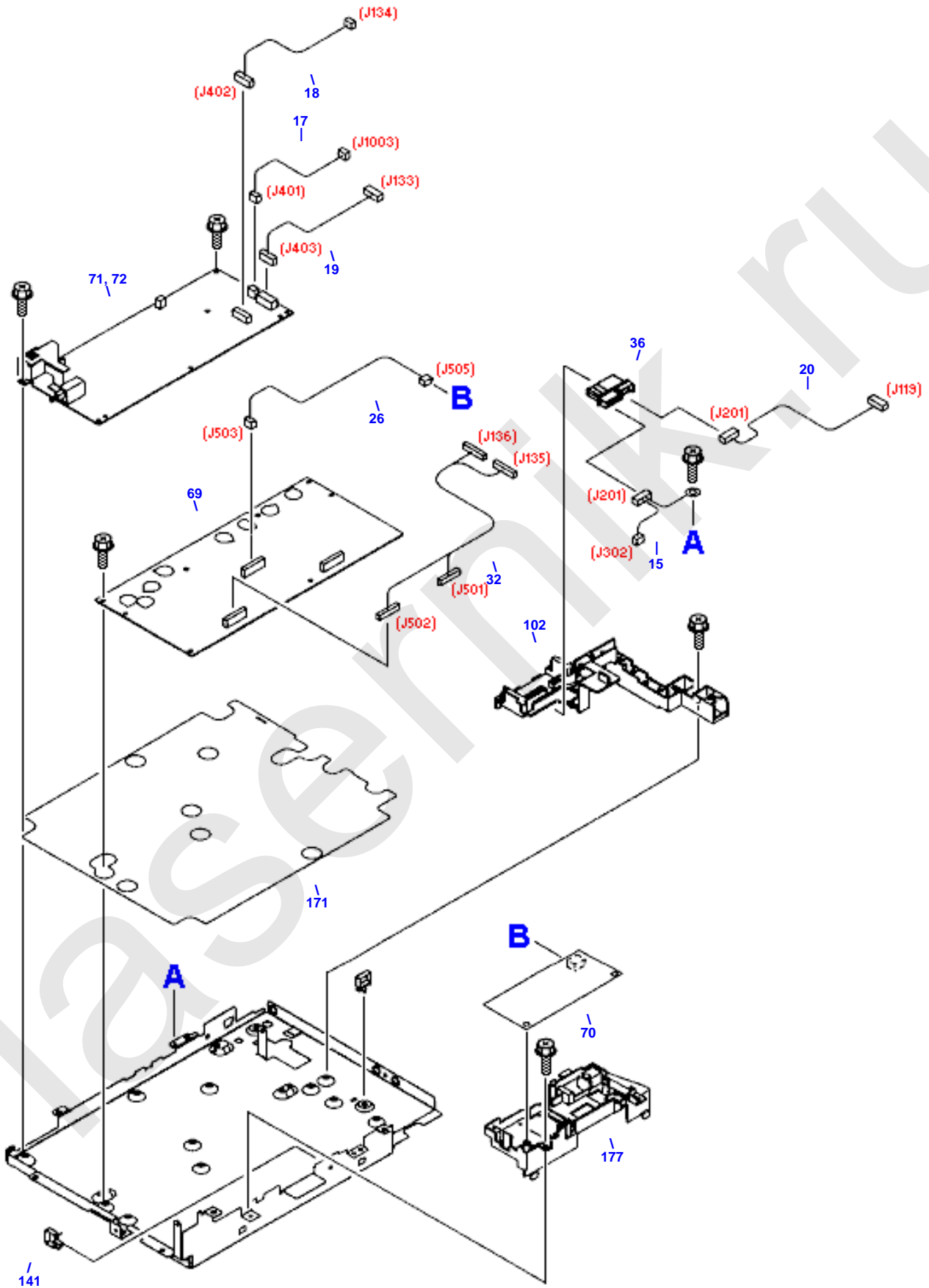


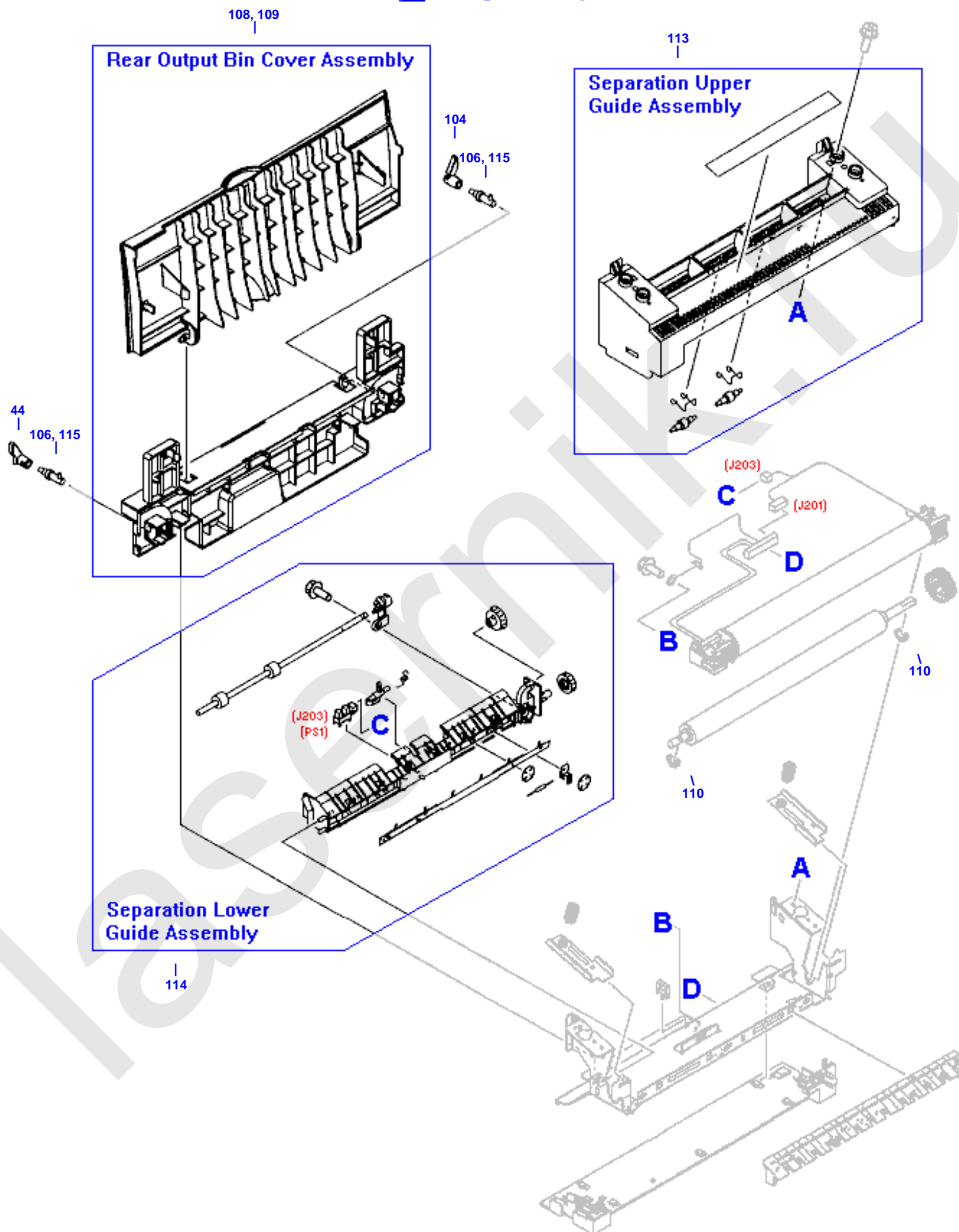
Toner Cartridge Carousel Drive Assembly

 Toner Cartridge Carousel Drive Assembly - 38

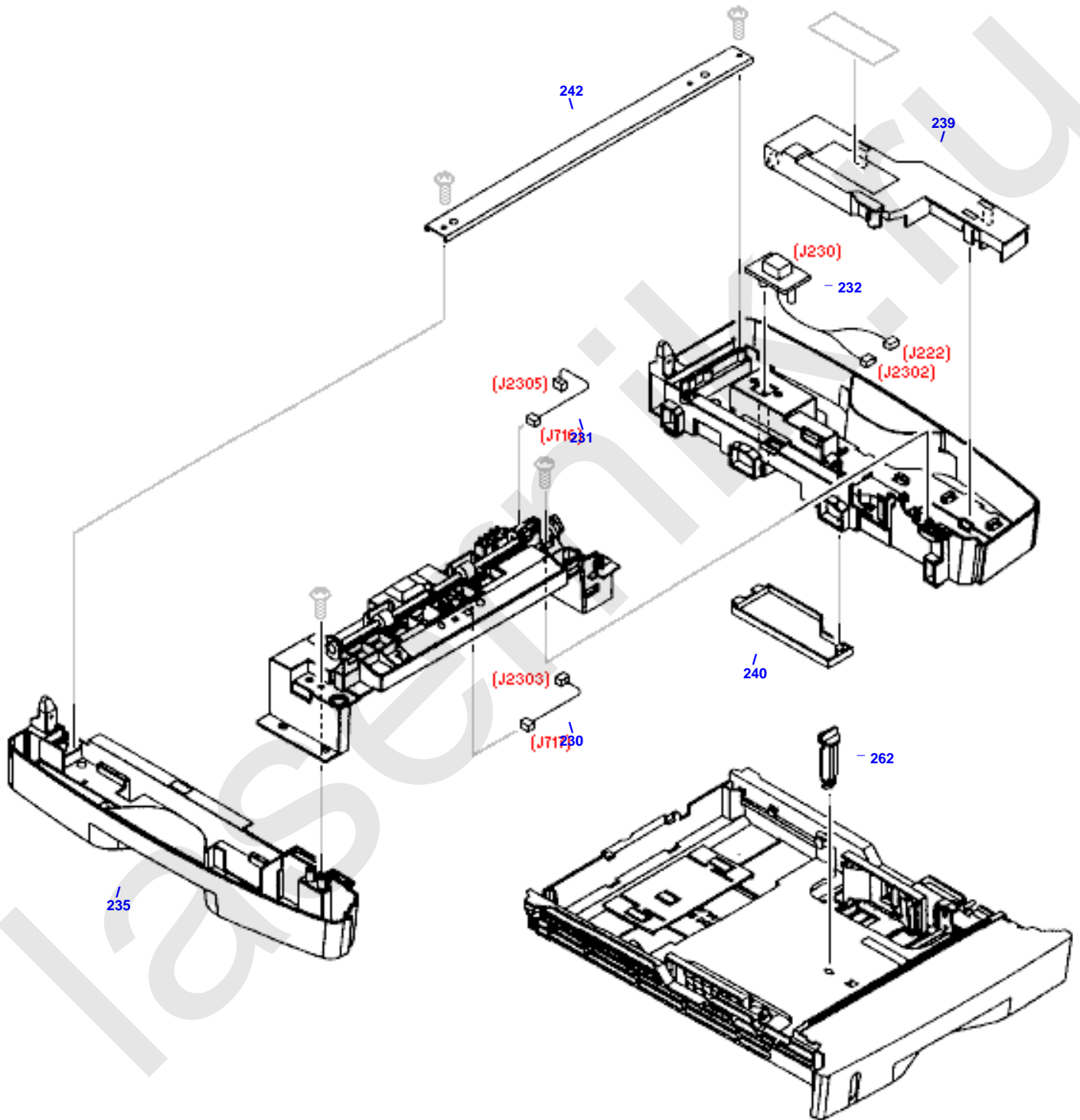


Power Supply Base Assembly

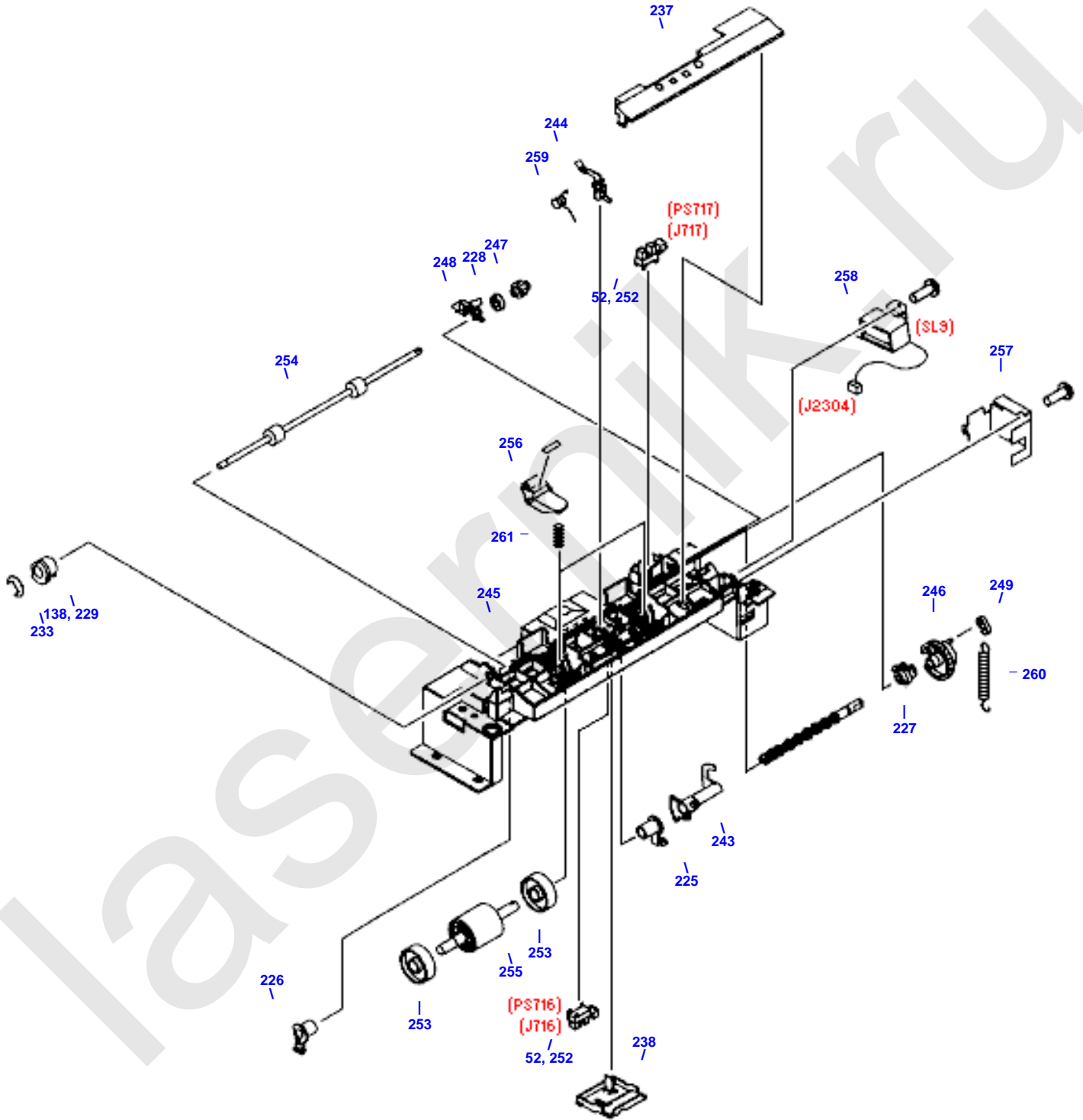


Fusing Assembly**Fusing Assembly - 111, 112**

250 Sheet Tray - External Covers

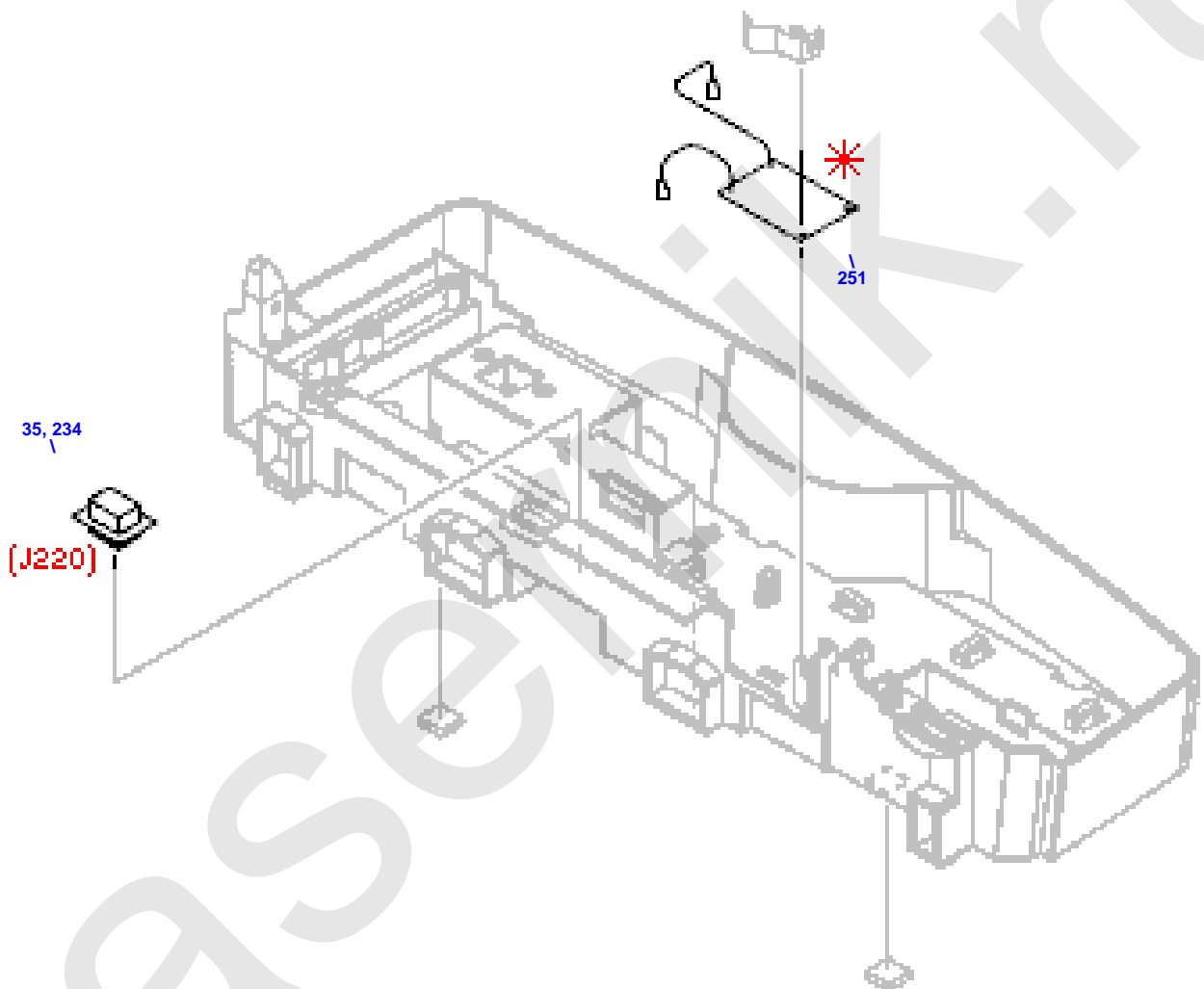


250 Sheet Tray - Center Frame Assembly



250 Sheet Tray - Right Cover Assembly

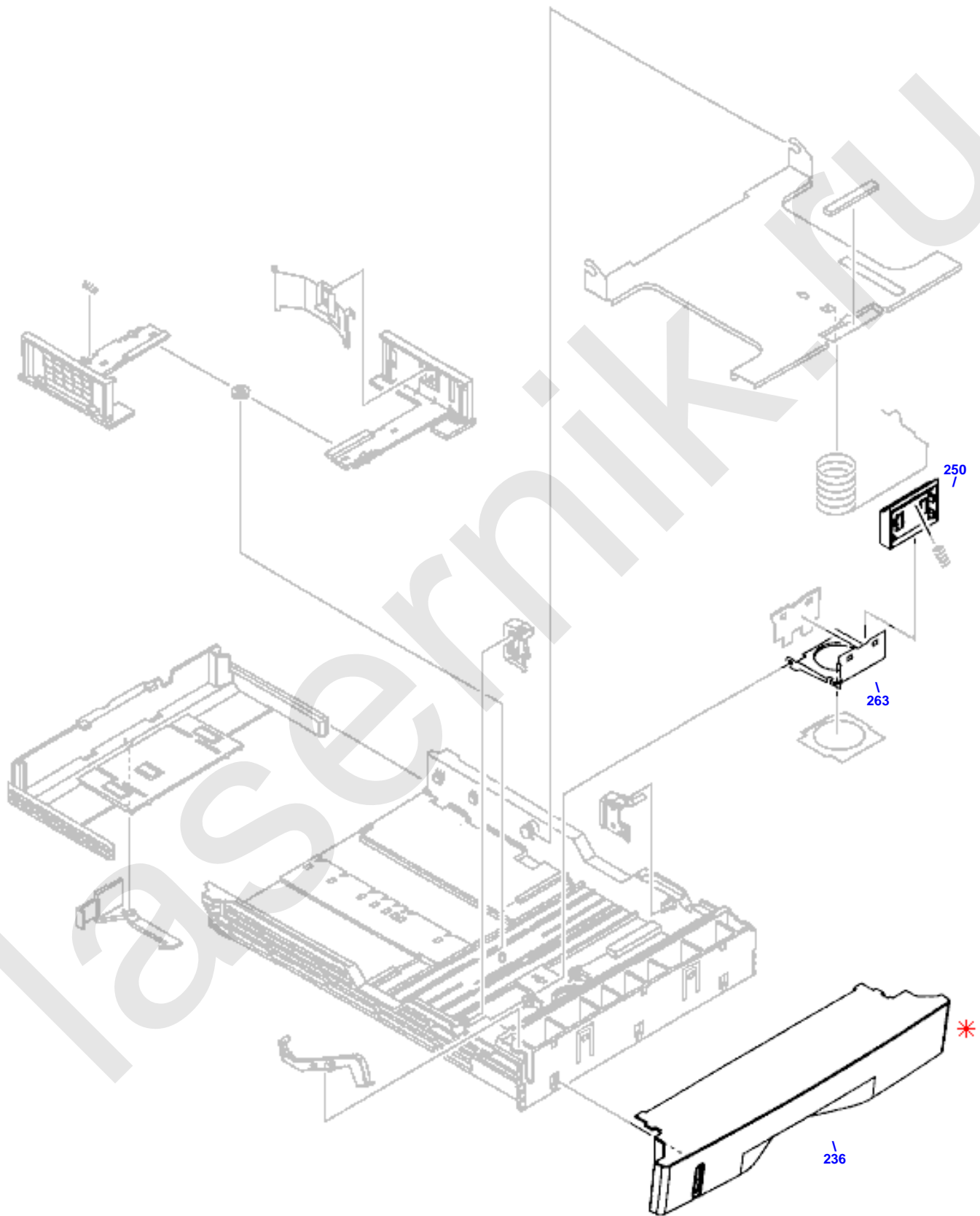
 **Right Side Frame/Cover Assembly** - 241



*** Not Included With The Right Side Frame/Cover Assembly**

250 Sheet Tray - Paper Cassette Tray

 250 Sheet Cassette Main Body Assembly - 224, 264



* Not Included With The Tray 2 Main Body Assembly

HP Parts Reference Guide

<http://www.hp.com/go/parts>

HP PartSurfer

<http://partsurfer.hp.com>

HP Parts Ordering Information

<http://www.hp.com/go/hpparts>

HP Parts Questions/Comments

<http://partsurfer.hp.com/contactus.htm>

laser.nik.ru