

250 Sheet Feeder Assembly**Bushing**

- 1 RB2-2895-000CN Shaft bushing/retainer - Pickup roller support bushing on right side - Mounts on and retains the right end of the pick-up roller shaft - For the base on the 250 sheet and 500 sheet input tray assemblies
- 2 RB2-2896-000CN Shaft bushing/retainer - Pickup roller support bushing on left side - Mounts on and retains the left end of the pick-up roller shaft - For the base on the 250 sheet and 500 sheet paper input tray assemblies

Cover

- RB2-3479-000CN 250 sheet feeder cover
- RB2-3480-000CN 250 sheet feeder drive cover
- RB2-3489-000CN Inner cover (Small Quartz Gray plastic cover)

Feed Assembly

- RG5-4394-020CN Feed roller assembly - Includes roller, holder and spring

Foot

- RB2-2816-000CN Rubber foot

Holder

- RB2-3485-000CN Roller holder

Housing

- RB2-3471-040CN Tray 3 housing - Bare frame that printer sits on top of printer

Kit

- RY7-5100-000CN 250 sheet tray separation pad kit - Contains Separation pad, pad holder, pad compression spring and large lift plate spring

Roller

- 11 RB2-2892-000CN Guide roller (Free spinning white plastic roller) - One on each side of the rubber paper pick-up roller - For the base on the 250 sheet and 500 sheet input tray assemblies
- RB2-3484-000CN Feed roller - Feed roller for sheet feeder - White plastic roller

Spring

- RS6-2063-000CN Roller spring - Provides pressure for feed roller

500 Sheet Feeder Assembly**Bushing**

- 14 RB2-2895-000CN Shaft bushing/retainer - Pickup roller support bushing on right side - Mounts on and retains the right end of the pick-up roller shaft - For the base on the 250 sheet and 500 sheet input tray assemblies
- 15 RB2-2896-000CN Shaft bushing/retainer - Pickup roller support bushing on left side - Mounts on and retains the left end of the pick-up roller shaft - For the base on the 250 sheet and 500 sheet paper input tray assemblies

Pad

- 16 RF5-4258-000CN Separation pad assembly - Includes the gray plastic frame with the rubber insert strip

Roller

- 17 RB2-2892-000CN Guide roller (Free spinning white plastic roller) - One on each side of the rubber paper pick-up roller - For the base on the 250 sheet and 500 sheet input tray assemblies

Tray Assembly

- 18 C7065-67901 500 Sheet Feeder and paper tray assembly - Holds 500 sheets of letter, legal, Executive, A4, A5, or B5 ISO size paper - Includes the feeder base assembly with pickup roller and the paper cassette tray

Accessories**Cartridge**

- Q2610-60001 Black toner cartridge (Ultra Precise Toner) - Prints approximately 6,000 pages based on a 5% print density

Interface (Product)

- J4135A JetDirect connectivity card - Has one USB port, one serial (DB9) port and one LocalTalk port - Plugs in the EIO slot on selected DesignJet and LaserJet printers
- J6057A JetDirect 615N internal print server (10Base-T and 100Base-TX) LAN interface board - Plugs into peripheral EIO slot - Has a RJ-45 connector - Comes with software on CD-ROM and manual



Accessories

Interface (Product)

J6057AR JetDirect 615N internal print server (10Base-T and 100Base-TX) LAN interface board - Plugs into peripheral EIO slot - Has a RJ-45 connector - Comes with software on CD-ROM and manual

Kit

C7058-67905 Delivery roller kit - Includes all face-down delivery roller assemblies, upper delivery roller supports, and roller drive gear
C7058-67907 Duplex feed/Paper pick-up kit
Q2472-67901 Return service packaging kit - Contains new box with top and bottom foam set, plastic bag for printer and instruction sheet
U6180-60001 Maintenance Kit (120V) - Includes fuser roller assembly, transfer roller assembly, Tray 1 and Tray 2 pick-up rollers, Tray 1 and Tray 2 separation pads. Procedure requires use of service manual. Not for warranty use
U6180-60002 Maintenance Kit (220V) - Includes fuser roller assembly, transfer roller assembly, Tray 1 and Tray 2 pick-up rollers, Tray 1 and Tray 2 separation pads. Procedure requires use of service manual. Not for warranty use

Manual

Q2472-90911 LaserJet 2300 series printer service manual - English only

Memory (DIMM)

C7842-67901 8MB, 100-pin SDRAM DIMM memory module
C7843-67901 16MB, 100-pin SDRAM DIMM memory module
C7845-67901 32MB, 100-pin SDRAM DIMM memory module

PC Board (Interface)

J4135-61001 JetDirect connectivity card - Has one USB port, one serial (DB9) port and one LocalTalk port
J4167-69001 JetDirect 610N token ring LAN interface board - DB-9 and RJ-45 connectors
REQUIRES RETURN OF DEFECTIVE PART
J4167-61001 New Part for J4167-69001
J6057-69001 JetDirect 615N internal print server (10Base-T and 100Base-TX) LAN interface board - Plugs into peripheral EIO slot - Has one RJ-45 connector
REQUIRES RETURN OF DEFECTIVE PART
J6057-61001 New Part for J6057-69001

Tray Assembly

C4793-67901 250 Sheet tray assembly

External Case Parts

Button

RB2-6294-000CN Power button - Located on left side of printer

Control Panel

RH6-0226-000CN Control panel assembly - Control panel mounted on upper right front of printer

Cover

RB2-6283-000CN I/O cover - Hinged panel located on right rear of printer that allows access to concealed I/O cable connections
RG5-5549-000CN Left cover assembly - Includes power button and spring
RM1-0328-000CN Top cover assembly - Face-down output tray and toner cartridge access door
RM1-0328-030CN New Part for RM1-0328-000CN
RM1-0329-000CN Right side cover assembly
RM1-0367-000CN Rear cover - Back of printer cover - Includes face-down output tray assembly

Extension

RB2-6286-000CN Output bin extension - Pull out extension for rear paper output bin

Foot

RB2-6297-000CN Rubber foot - Square self-adhesive rubber foot

**Fusing Assembly Parts****Bushing**

- RC1-0983-000CN Roller bushing - Delivery roller bushing - Supports right side of delivery roller
RC1-0988-000CN Pressure roller bushing - Support bushing under each end of fusing pressure roller - 2 used

Cable

- RG1-4309-000CN Delivery sensor cable assembly

Flag

- RB2-6402-000CN Paper sensor lever - Actuates PS2301 paper sensor

Fusing Assembly

- 49 RM1-0354-000CN Fusing roller assembly (For 110V operation) - Bonds toner to paper with heat
RM1-0354-050CN New Part for RM1-0354-000CN
50 RM1-0355-050CN Fusing roller assembly (For 220V - 240V operation) - Bonds toner to paper with heat

Gear

- RC1-0985-000CN Delivery roller gear - Gear on left side of delivery roller - 48 teeth
RS6-0921-000CN 14 Tooth Gear - Drives delivery roller - Attaches to lower delivery guide
RS6-0923-000CN 27 Tooth Gear - Attaches to end of pressure roller
RU5-0166-000CN 12 tooth gear - On left side of feed roller
RU5-0167-000CN 16 Tooth Gear - Attaches to right end of delivery roller

Guide

- RC1-0974-000CN Entrance guide - Paper input guide of fusing assembly

Holder

- RC1-0986-000CN Gear holder - Plastic piece on left side of delivery roller between the 48 tooth gear and paper clearing knob
RF5-2609-000CN Contact holder - Anchors fusing assembly to chassis

Knob

- RC1-0984-000CN Paper jam clearing knob

Plate

- RC1-0976-000CN Pressure plate - Plate that attaches above fusing roller

Roller

- RC1-0978-000CN Delivery roller - Roller for Upper Delivery Guide - 4 Used
RC1-0982-000CN Delivery roller - Feeds paper out of fusing assembly
RC1-0991-000CN Pressure roller - Applies pressure to paper as it feeds through the fusing roller
RM1-0356-050CN Fusing roller assembly (For 100V to 120V operation) - Includes heating element and fixing film sleeve
RM1-0357-050CN Fusing roller assembly (For 220V to 240V operation) - Includes heating element and fixing sleeve

Spring

- RB2-2978-000CN Compression spring - Provides tension for upper delivery rollers mounted on upper delivery guide - 4 used
RB2-6352-000CN Torsion spring - Provides tension for paper sensor lever
RU5-2115-000CN Compression spring - Between fusing roller and pressure plate above fusing roller - 2 used

Internal Parts**Bushing**

- RC1-0922-000CN Roller bushing - Right side transfer roller bushing

Cable

- 70 RG1-4310-000CN F/G cable - Chassis to scanner mounting plate ground cable
71 RG1-4314-000CN Control panel cable assembly
72 RG5-5598-000CN Paper-feed cable - Includes the I/F cable from the Engine Controller PCA to the accessory paper tray connector and the Engine Controller PCA ground cable.
73 RG5-5599-000CN Interface cable - The I/F cable from the Engine Controller PCA to the accessory paper tray connector - Six conductor/three connector cable

Internal Parts**Cable**

- 74 RG5-5600-000CN Grounding cable - Engine Controller PCA ground cable
- 75 RH2-5580-000CN Flat interface cable - Flat cable that connects between the Formatter and ECU board

Cover

- 76 RC1-1013-000CN Front cover - White plastic cover behind drop down Tray 1/MP Tray paper input tray - Attaches with two top screws

Damper

- 77 RC1-1038-000CN Tray 1/MP Tray damper - Dampens movement on right side of drop down Tray 1 - White plastic gear mounted on a black plastic arm

Drive Assembly

- 78 RM1-0334-000CN Printer drive assembly - Large gear drive assembly on right side of printer

Duct

- 79 RC1-1003-000CN Cooling duct - Provides airflow for Laser/scanner assembly

Fan

- 80 RH7-1591-000CN Fan - Cooling fan mounted on left side of printer - FM1

Fuse

- RH3-8006-000CN Fuse - 8A, 250V max
- WD1-0268-000CN Fuse - 15A, 250V max

Gear

- 83 RC1-1039-000CN 26 tooth gear - Tray 1 pick-up roller drive gear
- 84 RC1-1040-000CN 29 tooth gear - Cassette Pick-up gear
- 85 RS6-0445-000CN Registration roller drive gear - 14 tooth
- 86 RU5-0155-000CN Drive gear - Provides power transmission to gear assembly that drives paper feed shaft - 27 tooth
- 87 RU5-0156-000CN Paper feed shaft drive gear - Between paper feed roller and paper feed shaft
- 88 RU5-0168-000CN Drive gear - Upper Delivery Roller drive gear - 15 Tooth

Gear Assembly

- 89 RM1-0337-000CN Belt drive gear assembly - Gear assembly on the right side of printer that drives paper feed assembly

Ground Plane

- 90 RC1-0911-000CN Static charge eliminator

Ground Strap

- 91 RC1-0916-000CN Grounding plate
- 92 RC1-0917-000CN Grounding plate - Attaches to right rear corner of Formatter board

Guide

- 93 RB2-2830-020CN Cartridge guide - Right side toner cartridge guide
- RB2-2831-020CN Cartridge guide - Left side toner cartridge guide
- 95 RC1-1002-000CN Cable guide - Attaches to rear of Laser/scanner assembly
- 96 RC1-1019-000CN Cable guide - Black plastic cover that protects flat cable on upper right side of printer
- 97 RM1-0333-000CN Guide assembly - Duplexer portion paper guide assembly

Hardware

- XA9-1223-000CN M3 X 6 TP screw

Hinge

- 99 RB2-6249-000CN Feed guide hinge
- 100 RB2-6405-000CN Tray hinge - For the left side of the multi-purpose front input tray (Tray 1)
- 101 RB2-6406-000CN Tray hinge - For the right side of the multi-purpose front input tray (Tray 1)

Internal Parts**Holder**

RL1-0158-000CN Sensor lever holder - Automatic Duplexer pickup sensor (PS503)

Insulator

RC1-0930-000CN Insulation sheet - Plastic insulator sheet between power supply PCA and metal frame

Lever

104 RB2-2836-000CN Paper sensor lever - Mechanical device that engages photo sensor

105 RB2-6251-000CN Jam clearing lever - Helps to clear paper jams

Motor

106 RH7-1588-000CN DC Motor - Provides power for drive assembly on right side of printer - Motor M1

Mount

107 RB2-6255-000CN Fan mount - Secures fan to chassis on left side of printer

PC Board

108 WG8-5382-000CN Sensor PC board - Small board with flag activated photosensor

Plate

109 RC1-1001-000CN Laser/scanner mounting plate - Plate that attaches to printer chassis the Laser/scanner assembly mounts to

Receptacle

110 RM1-0342-000CN Power Receptacle - Power input receptacle and cable going to power supply PCA

Retainer

111 RA0-1068-000CN Continuity cap - Gear retainer

Rod

112 RB2-6250-000CN Jam clearing rod - Helps to clear paper jams

Screw

113 XB4-7401-007CN Self tapping pan head M4 X 10 screw

XB4-7401-407CN Self tapping truss head M4 X 14 screw

XB6-7300-607CN 6 mm Phillips head screw with attached washer

Sensor Mechanism

116 RM1-0335-000CN E-label reader assembly - Sensor that reads toner cartridge information

Shaft

117 RU5-0158-000CN Paper feed drive shaft - Connects main drive to paper feed drive assembly

Solenoid

118 RH7-5279-000CN Solenoid - Automatic duplexer solenoid - SL3

119 RM1-0324-020CN Cable and guide Assembly - Cables run between Solenoids SL1/SL2 and Engine Controller board - Includes solenoids SL1 and SL2

120 RM1-0331-000CN Duplexer solenoid - SL3

Spacer

RC1-0931-000CN PC Board spacer - Power supply board spacer on right edge of board

Spring

122 RB2-2837-000CN Torsion spring - Provides tension for paper sensor lever

123 RB2-2843-000CN Torsion spring - Provides a small amount of back pressure for the paper sensor flag

124 RB2-2860-000CN Power button spring - Provides tension for power button

125 RB2-6262-000CN Compression contact spring - Provides electrical voltage contact

126 RB2-6263-000CN Compression contact spring - Provides electrical voltage contact

127 RB2-6266-000CN Leaf spring - Grounding spring

128 RB2-6271-000CN Contact spring - High voltage contact for transfer roller

129 RC1-1009-000CN Compression spring - Provides electrical ground connection

**Internal Parts****Spring**

130	RS6-2030-000CN	Tension spring - Provides support tension for the multi-purpose front input tray guide assembly (two used)
131	RS6-2375-000CN	Compression spring - Provides pressure for top output bin delivery roller assembly
132	RU5-2107-000CN	Compression spring - Provides electrical ground connection
133	RU5-2108-000CN	Compression contact spring - Provides electrical voltage contact
134	RU5-2109-000CN	Compression spring - Provides tension for right side of transfer roller bushing
135	RU5-2112-000CN	Tensioning spring - For the paper pick up gear assembly

Standoff

VT2-0012-005CN	PC Board support - Plastic standoff for supporting a PC board
----------------	---

Switch

137	RH7-6051-000CN	Microswitch with lever activator
-----	----------------	----------------------------------

Logic/Control Electronics**Memory (DIMM)**

Q2651-67906	DIMM memory kit - 2300 Base Firmware Dimm
-------------	---

PC Board

139	Q1395-60002	Formatter (Main logic) board
140	RG1-4307-000CN	Engine controller PC board
	RG5-4277-000CN	Tray 3 controller board - Paper feed drive PCA - 250 Tray Controller Board - Paper Feed Drive PCA
142	RM1-0339-000CN	Engine controller assembly - Engine controller PC board and back plate

Power Supply

143	RG1-4306-020CN	Power supply PCA - Power supply board only - For 110V-127V operation
144	RG1-4329-020CN	Power supply PCA - Power supply board only - For 220V-240V operation
	RM1-0340-000CN	Power supply assembly - Includes frame, insulator, sensor holder and PCA - For 100V-127V operation
	RM1-0340-020CN	<i>New Part for RM1-0340-000CN</i>
	RM1-0340-020CN	Power supply assembly - Includes frame, insulator, sensor holder and PCA - For 100V-127V operation
	RM1-0341-000CN	Power supply assembly - Includes frame, insulator, sensor holder and PCA - For 220-240VDC operation

Paper Path Parts**Arm**

148	RB2-6310-000CN	Paper sensor lever - Senses paper at pickup roller
149	RB3-0905-000CN	Paper sensor arm - Flag for registration photosensor

Belt

150	RC1-0918-000CN	Paper feed belt - Small black belt between paper feed roller and small pulleys toward front - 3 used
-----	----------------	--

Extender

151	RB2-3036-000CN	Tray 1 extender - Pull-out tray extension
-----	----------------	---

Extension

152	RB2-6404-000CN	Tray 1/MP Tray extension - Flip-out extension part of tray connected to the pull-out extension of tray assembly
-----	----------------	---

Fusing Assembly

153	RM1-0354-000CN	Fusing roller assembly (For 110V operation) - Bonds toner to paper with heat
	RM1-0354-050CN	<i>New Part for RM1-0354-000CN</i>
154	RM1-0355-050CN	Fusing roller assembly (For 220V - 240V operation) - Bonds toner to paper with heat

Guard

155	RC1-0919-000CN	Leakage prevention sheet - Prevents toner from leaking on media
-----	----------------	---



Paper Path Parts

Guide

- 156 RB2-6401-000CN Rear paper guide - Attaches to base of rear output bin
- 157 RG5-5548-000CN Reverse guide assembly - Guides paper back into printer to print back side when in duplex mode.
- RM1-0362-000CN Upper delivery guide - Has four separate rollers and springs
- RM1-0363-000CN Delivery roller guide - Supports delivery roller

Laser/Scanner

- 160 RM1-0313-020CN Laser/Scanner Assembly - Mounts on top of print structure

Pad

- 161 RC1-0939-000CN Separation pad - Tray 1 separation pad - Does not include holder
- 162 RM1-0345-000CN Separation Pad assembly - Separation pad and holder

Pickup Assembly

- 163 RM1-0332-000CN Paper pickup assembly - Paper pickup assembly for Tray 2 paper cassette

Plate

- 164 RC1-0912-000CN Center feeding plate - Middle metal piece in center of printer paper path
- 165 RC1-0913-000CN Left feeding plate - Left side metal piece in center of printer paper path
- 166 RC1-0914-000CN Right feeding plate - Right side metal piece in center of printer paper path
- 167 RC1-0915-000CN Front feeding plate - Small front side metal pieces in center of printer paper path - 2 used

Pulley

- 168 RC1-0933-000CN Belt pulley - Small pulley opposite paper feed shaft for paper feed belt - 3 used

Roller

- 169 RB2-6277-000CN Top output bin roller - Lower of the two middle set of rollers - 2 used
- 170 RB2-6288-000CN Roller guide - Small white plastic roller in rear paper output tray - 2 used
- 171 RB2-6304-000CN Pick-up roller assembly - Rubber roller on a short shaft with slots on the end - Does NOT include the two flanking hard plastic rollers
- 172 RB2-6400-000CN Face-Down Delivery roller - Lower rollers - Four used
- 173 RC1-0920-000CN Paper feed roller - White plastic shaft with three rollers that drive the three paper feed belts
- 174 RC1-0945-000CN Pickup roller - MP/Tray 1 pickup roller
- 175 RG5-5555-000CN Feed roller assembly - Feed roller for tray 2
- RG5-5555-020CN *New Part for RG5-5555-000CN*
- 176 RM1-0371-000CN Face-down output roller - Black roller shaft with four gray soft rollers attached and white plastic mounting tab on one end

Roller Assembly

- 177 RG5-5542-050CN Face down delivery roller assembly - Middle two roller assemblies in center of top output bin
- 178 RM1-0343-000CN Transfer roller assembly - Includes left side bushing
- 179 RM1-0346-000CN Multi-purpose tray pick-up roller assembly - Includes pick-up roller, roller cam, right and left cams, both round rollers and dowel pin
- 180 RM1-0347-000CN Registration Assembly - Registration shutter and roller with holder frame assembly
- 181 RM1-0370-000CN Face down top output bin delivery roller assembly - Includes roller and holder

Tray

- 182 RB2-6287-000CN Rear output tray - Drop down face up rear paper output tray
- 183 RM1-0353-000CN Tray 1 paper input - Adjustable paper width portion of Tray 1 assembly - Mounts above pull-out extension

Tray Assembly

- 184 RG5-5575-000CN Tray 1/MP Tray assembly - Drop down tray on front of printer

Paper Tray Parts

Arm

RB2-3004-000CN	Release arm - Left side lifting plate release arm
RB2-3005-000CN	Release arm - Right side lifting plate release arm
RB2-3009-030CN	Lock arm - Locks rear paper length adjustment plate
RB2-3010-000CN	Paper sensor arm - Indicates on front cover the quantity of paper in tray

Cover

RB2-3000-000CN	Front cover - Front cover and pull handle for paper tray
----------------	--

Gear

RS6-0440-000CN	Gear - 10 tooth - Mechanical connection between right and left side paper plates
----------------	--

Holder

RL1-0171-000CN	Pad holder - Separation pad holder on front of tray
----------------	---

Pad

192 RC1-0954-000CN	Separation pad assembly in front portion of 250 sheet tray
--------------------	--

Plate

RB2-3003-020CN	Rear end plate of paper cassette
RF5-2599-000CN	Upper lifting plate
RF5-2606-000CN	Adjustable width plate - Right side paper width stop plate
RG5-4159-000CN	Adjustable width plate - Left side paper width stop plate

Spring

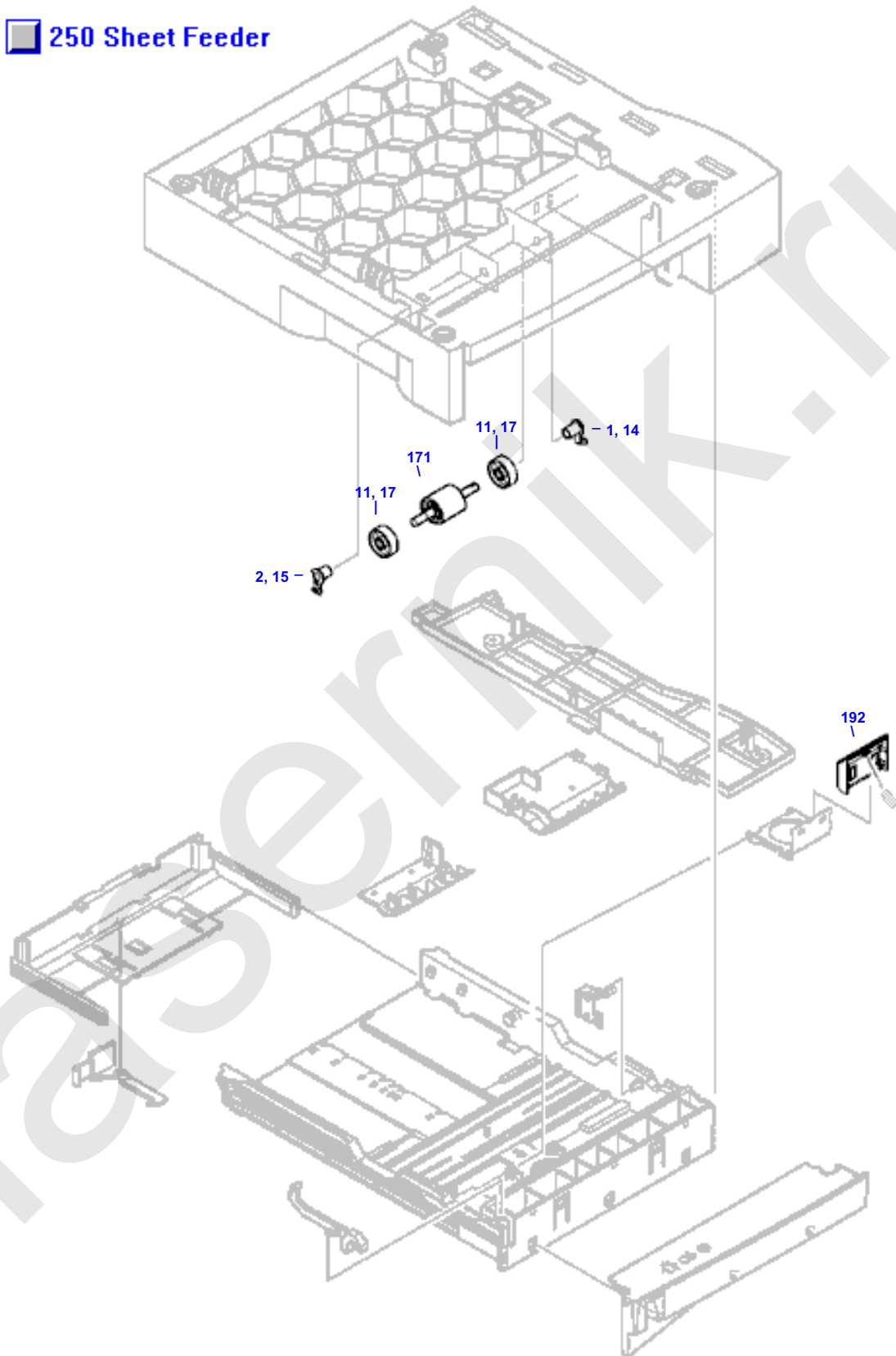
RB2-3012-000CN	Leaf spring - Provides side tension for paper in tray
RS6-2020-000CN	Plate spring - Provides pressure for paper lifting plate
RS6-2021-000CN	Pad spring - Provides tension for separation pad on front of paper tray
RS6-2035-000CN	Plate spring - Provides tension for left side width plate

Tray

R98-1003-140CN	250 sheet paper tray - Adjusts for letter, legal, Executive, and A4 paper - Used for tray 2 and optional tray 3
RM1-0350-000CN	250 Sheet paper tray - Adjusts for Letter, Legal, Exec, A4 - Used for Tray 2 and optional Tray 3

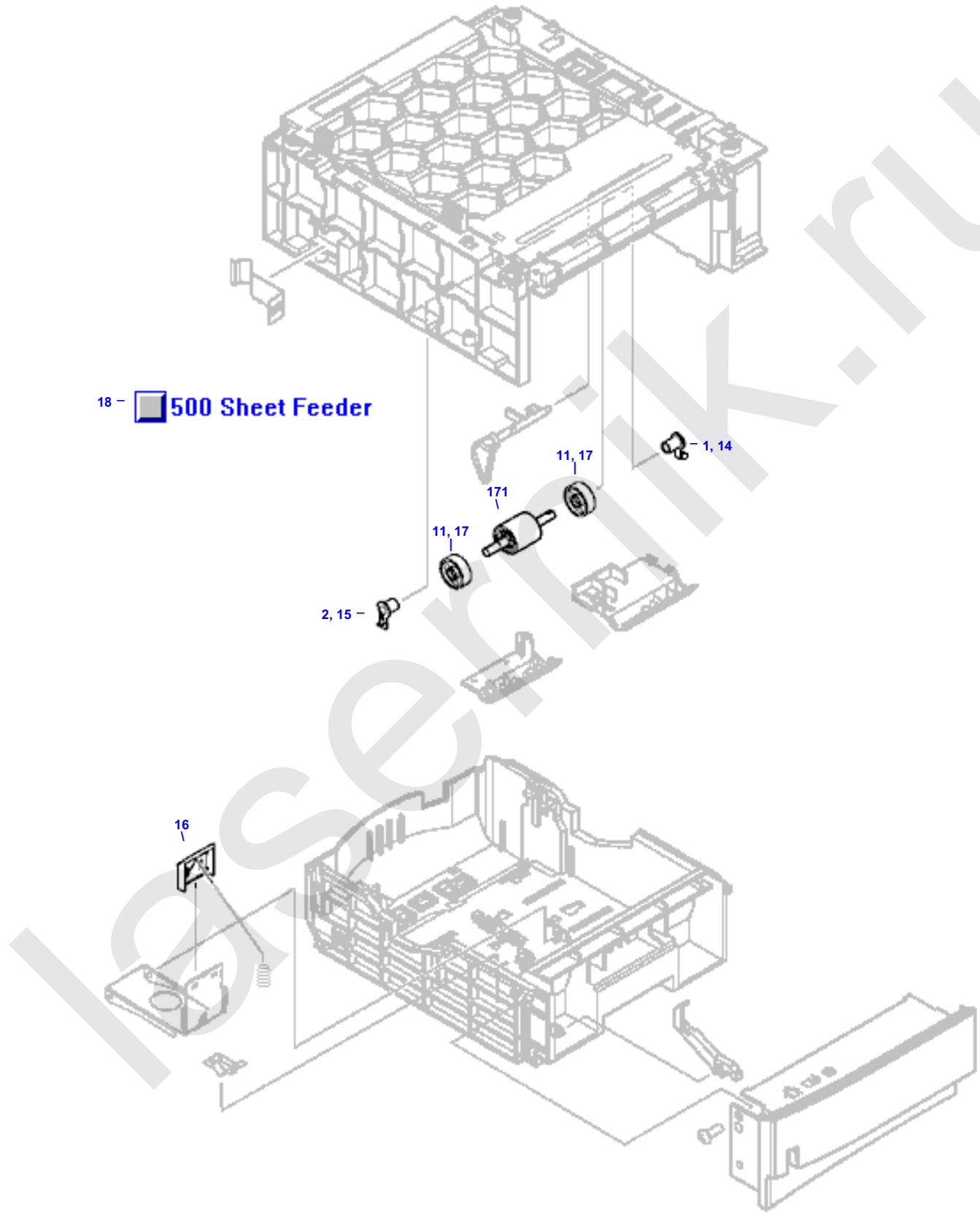
250 Sheet Feeder

35 -  250 Sheet Feeder

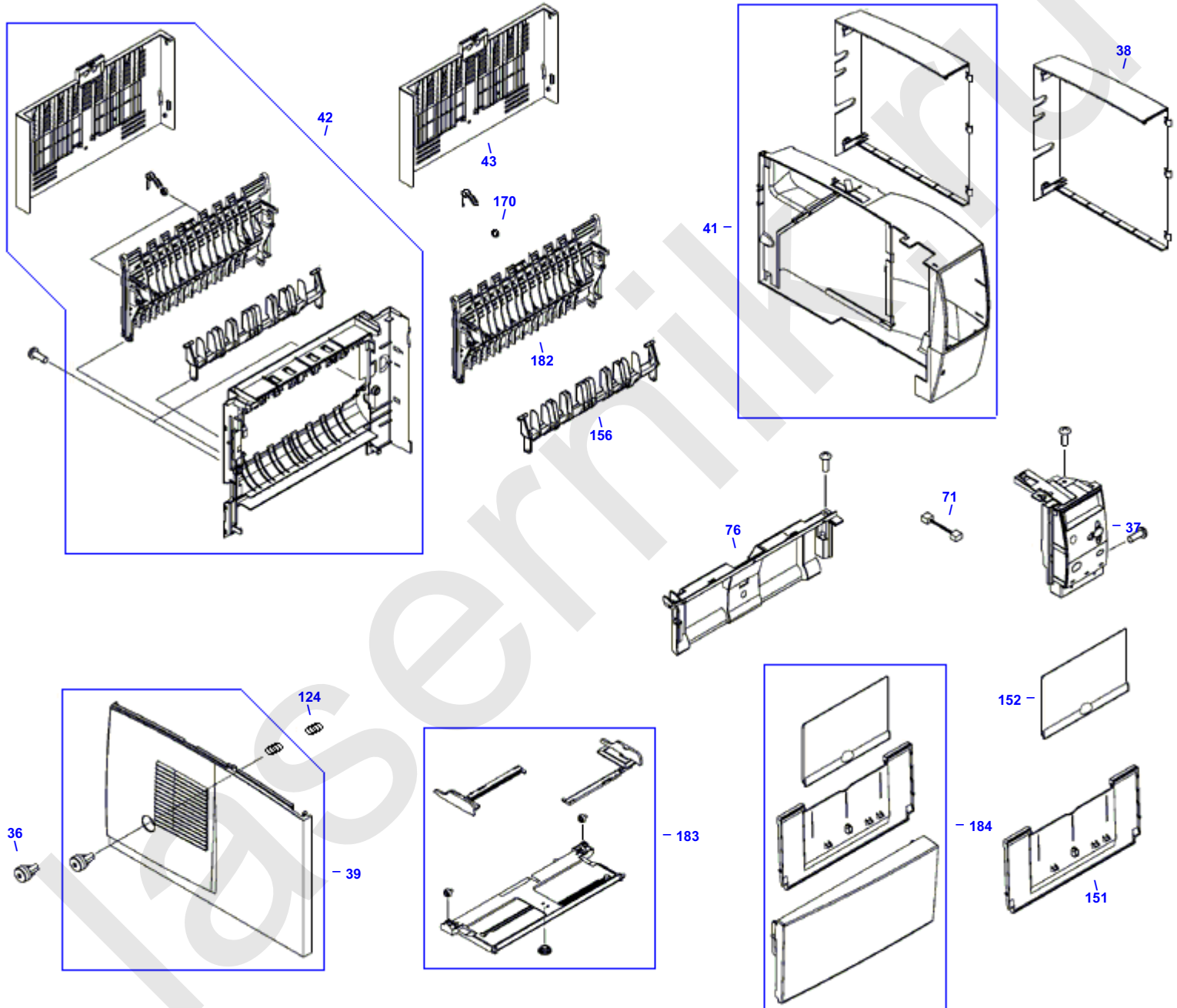


500 Sheet Feeder

18 -  500 Sheet Feeder

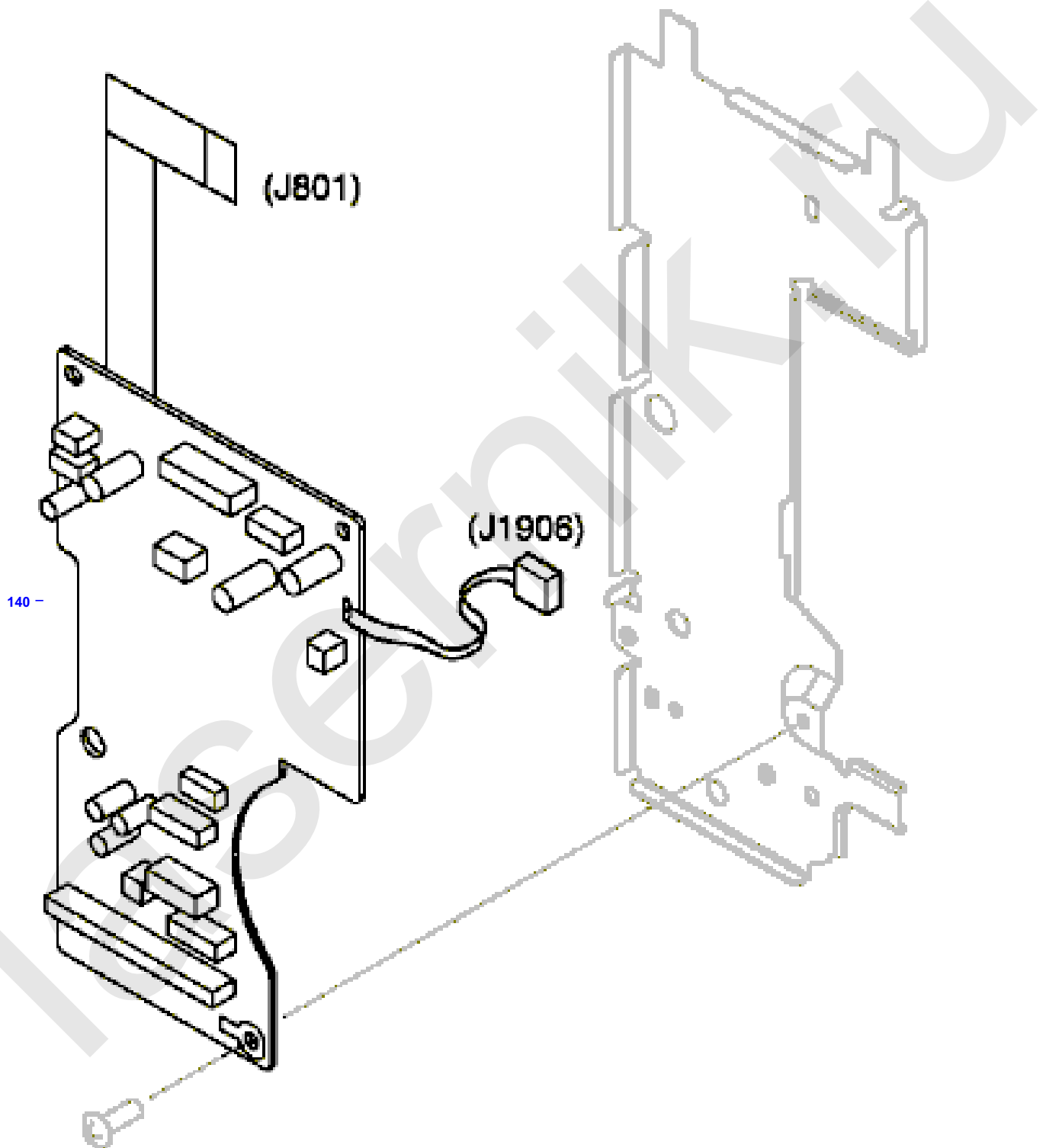


Covers and Panels

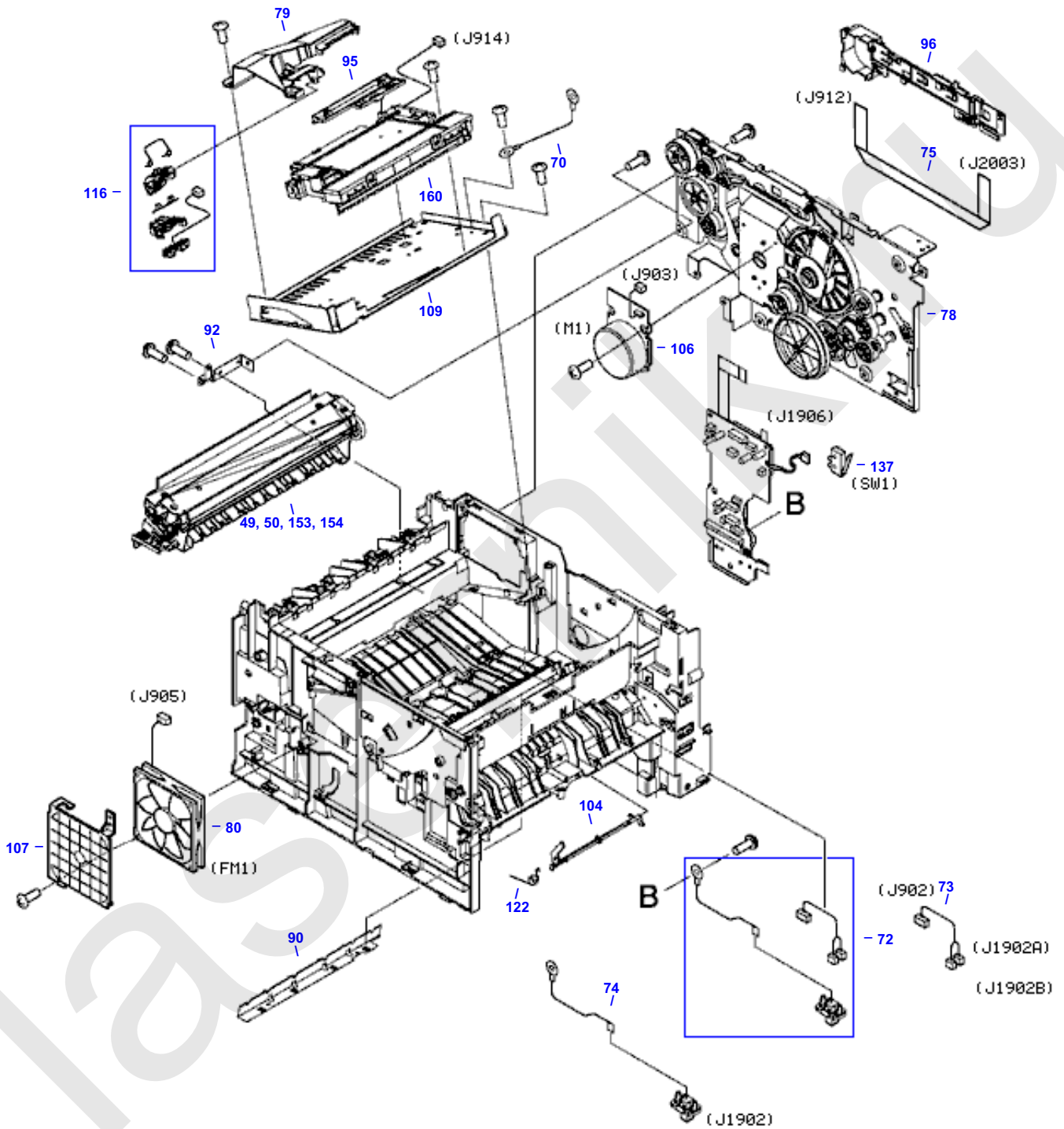


Engine Controller

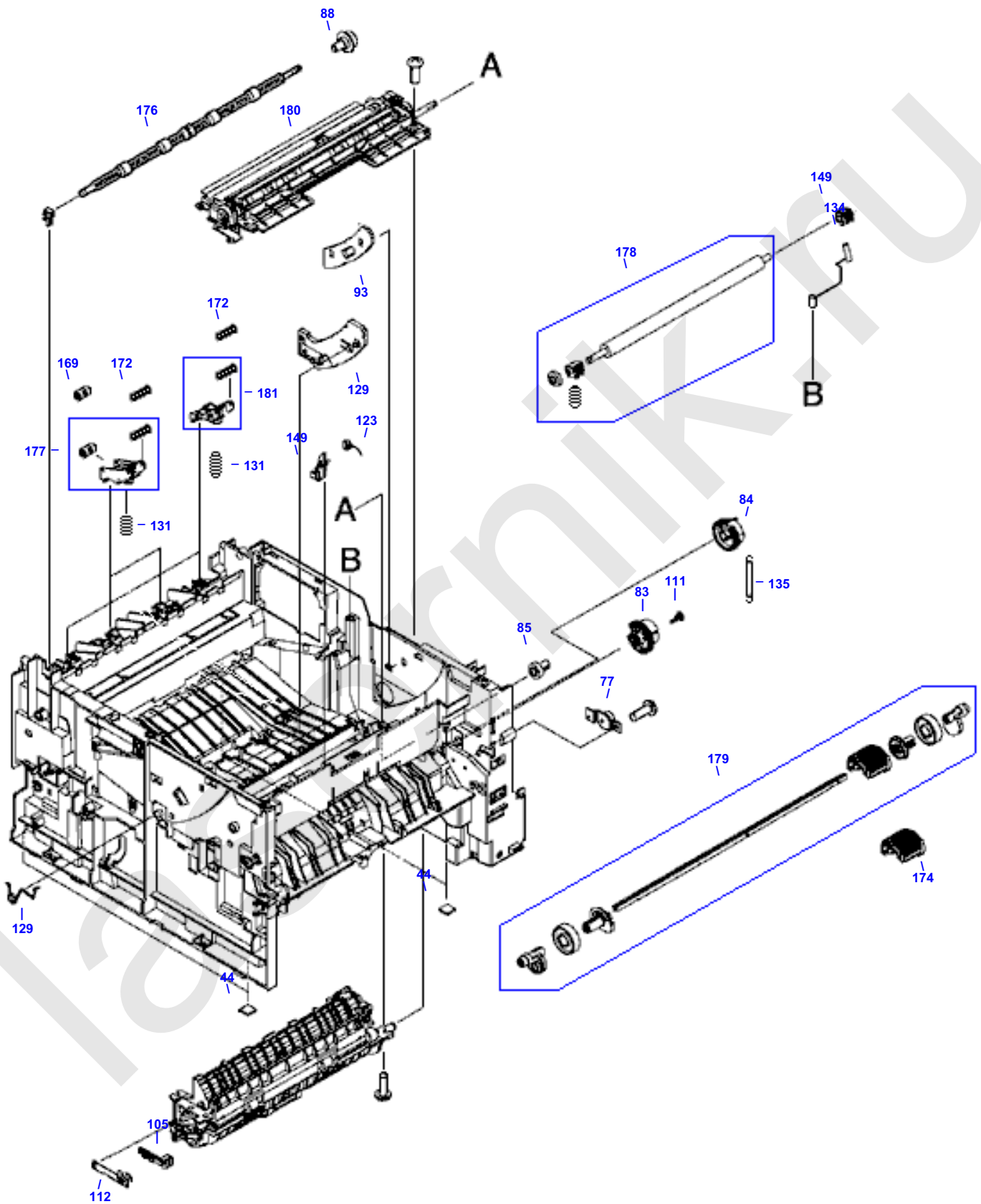
142 -  Engine Controller Assembly



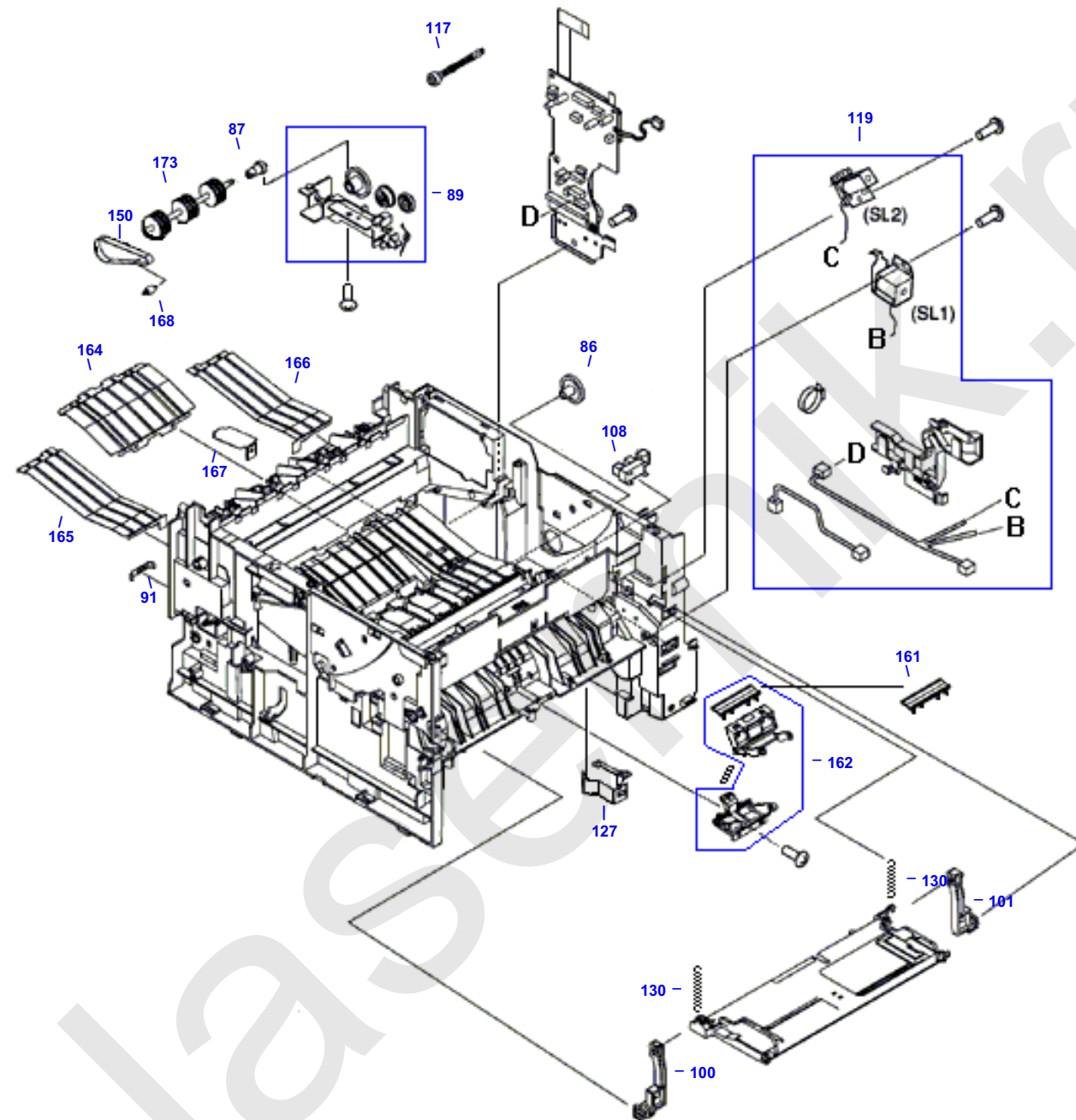
Internal Components (1 of 4)



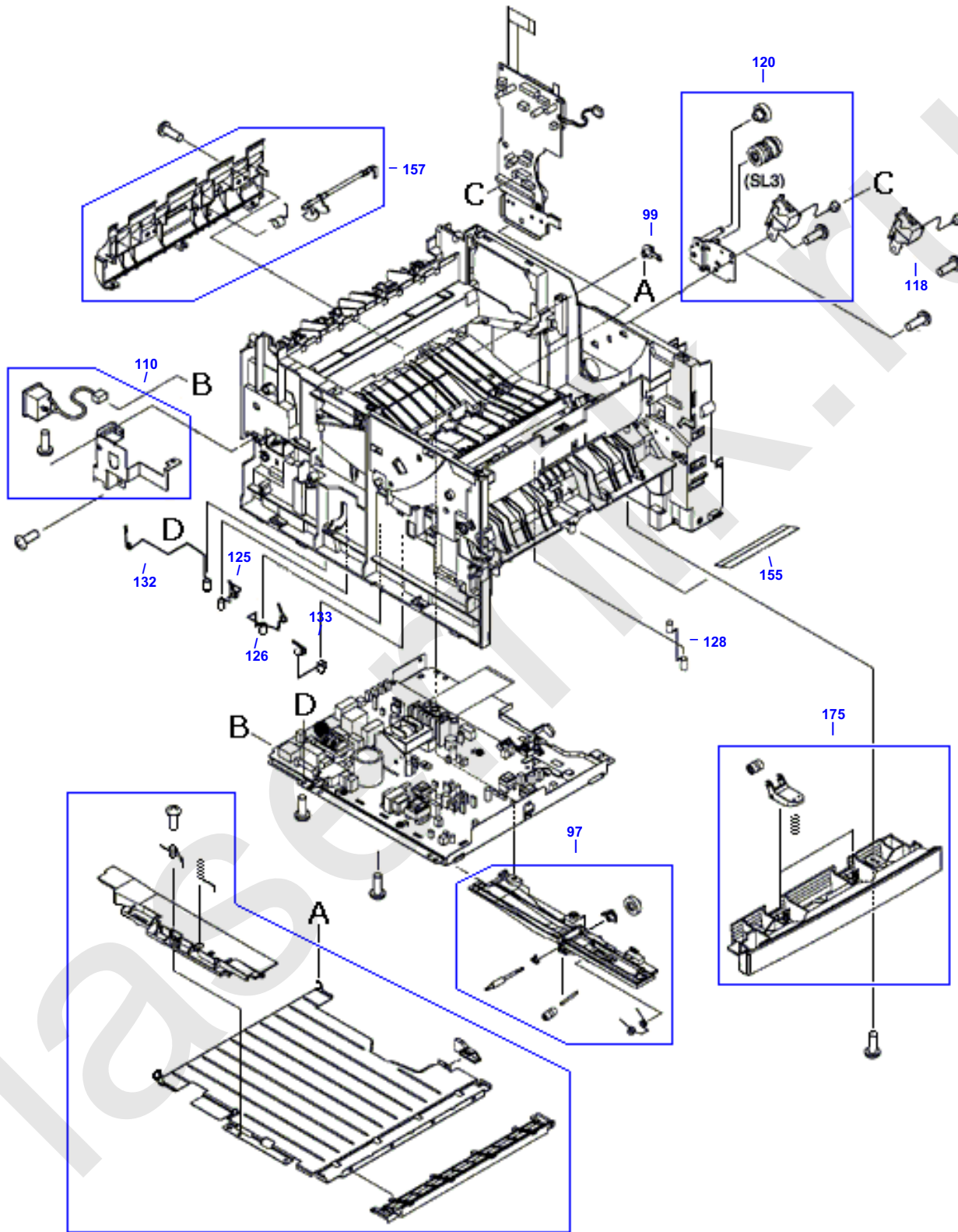
Internal Components (2 of 4)



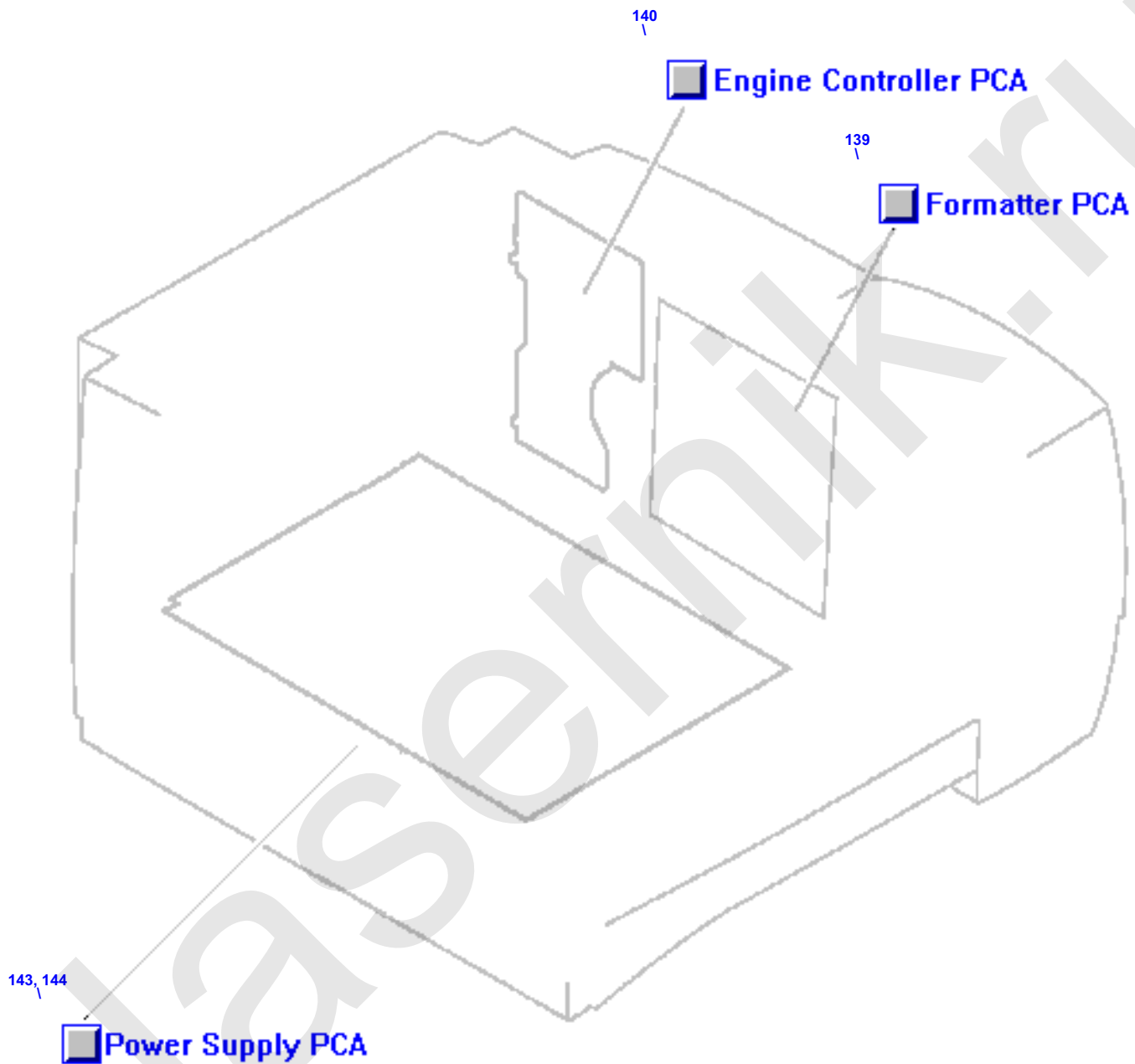
Internal Components (3 of 4)



Internal Components (4 of 4)

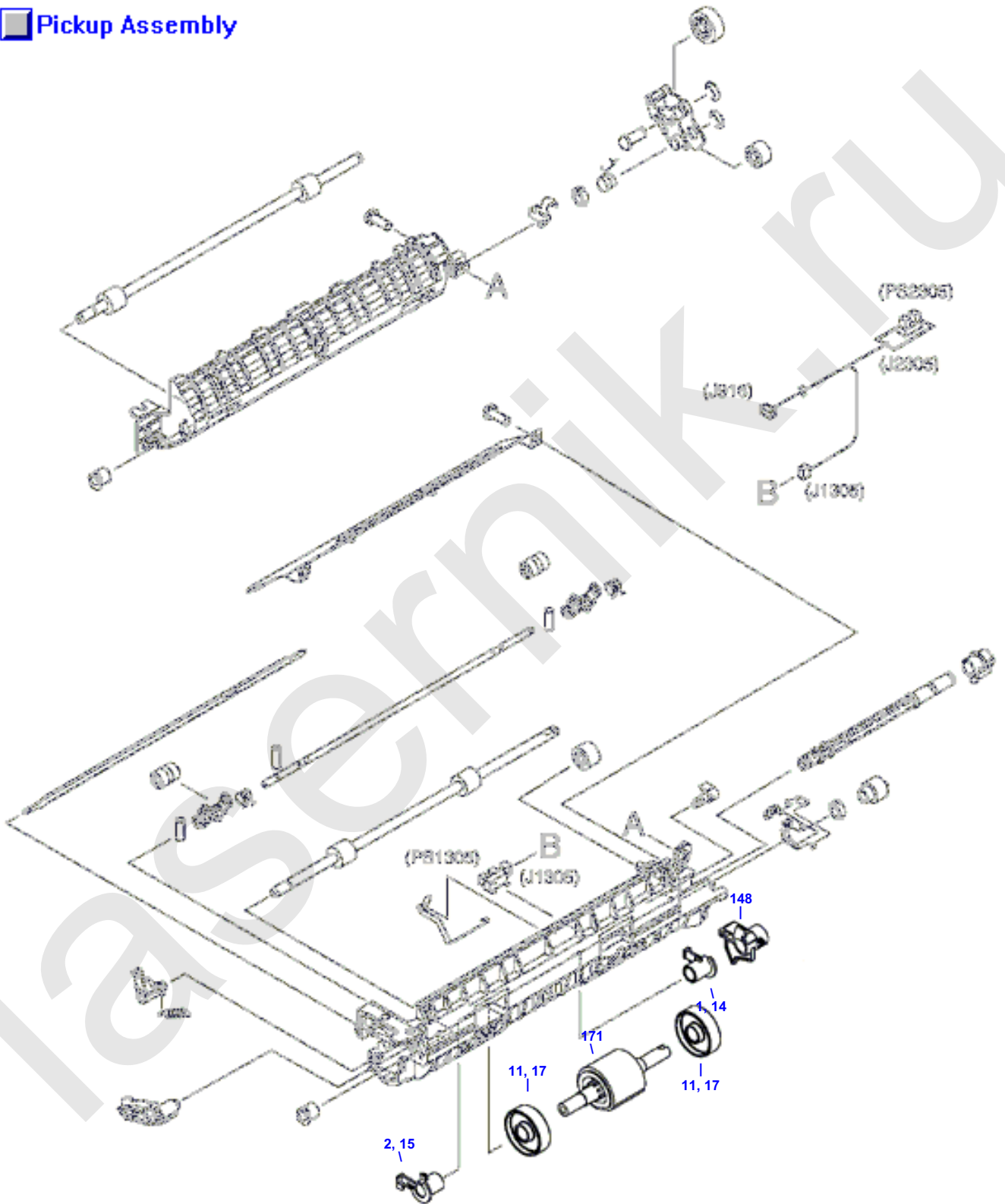


PCA Locations



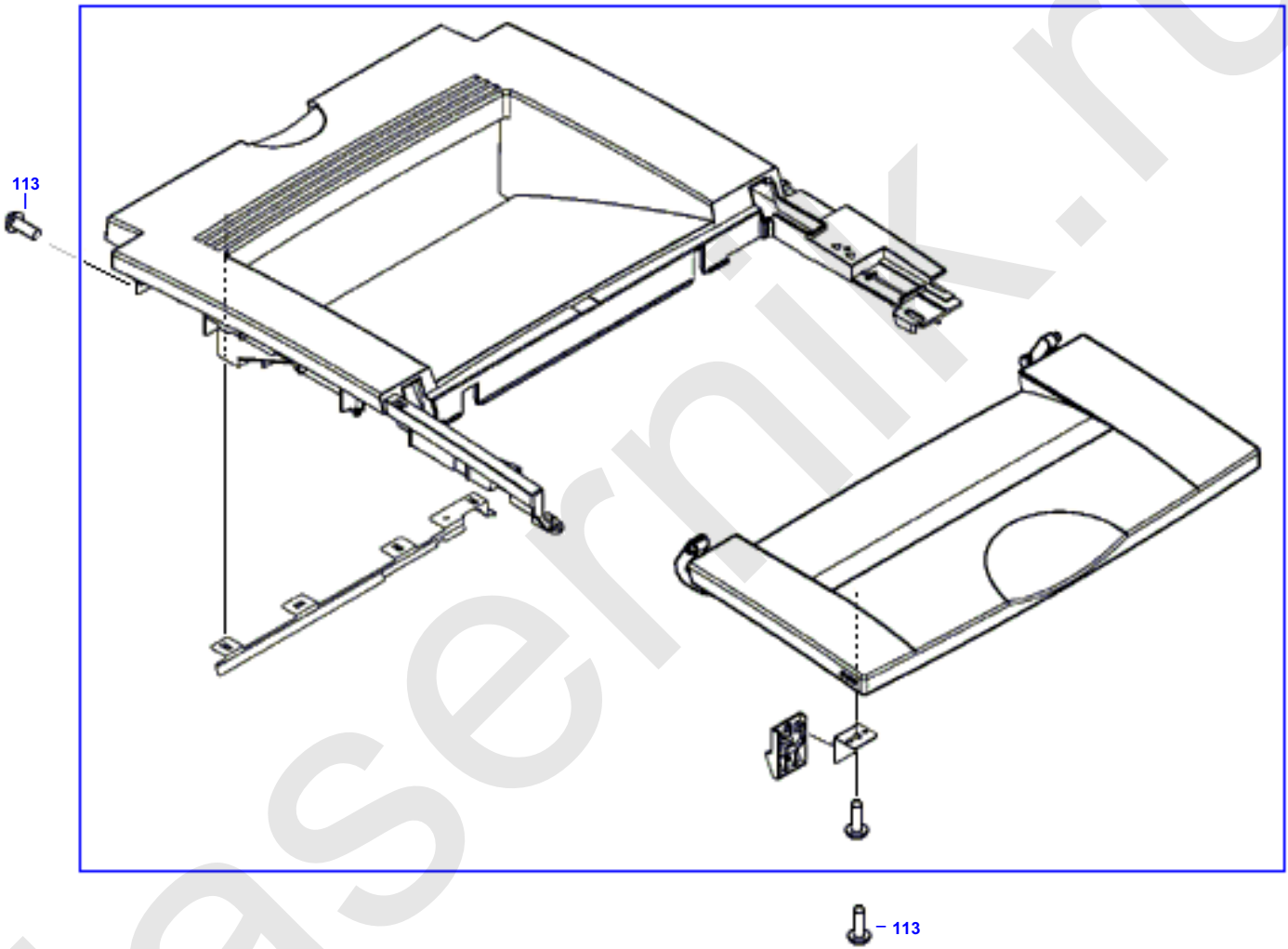
Pickup Assembly

163 - Pickup Assembly



Top Cover Assembly

40 -  Top Cover Assembly





HP Parts Reference Guide

<http://www.hp.com/go/parts>

HP PartSurfer

<http://partsurfer.hp.com>

HP Parts Ordering Information

<http://www.hp.com/go/hpparts>

HP Parts Questions/Comments

<http://partsurfer.hp.com/contactus.htm>

laser.nik.ru