

Electronic Accessories
Cable (Interface)

8120-8485	Universal Serial Bus (USB) interface cable - Type 'A' connector to type 'B' connector, 1.8m (6.0 ft) long
8121-0712	Universal serial bus (USB) interface cable - Type 'A' connector to type 'B' connector - 0.6m (24-inches) long
C2950A	IEEE-1284 Bi-Tronics parallel cable - DB-25 (M) connector (type A) to 36 pin Centronics (M) connector (type B) - 2.0m (6.6ft) long
5063-1256	<i>New Part for C2950A</i>
C2951A	IEEE-1284 Bi-Tronics parallel cable - DB-25 (M) connector (type A) to 36 pin Centronics (M) connector (type B) - 3.0m (9.8ft) long

Interface

J6035-61021	JetDirect 175X print server
J6035-61031	<i>New Part for J6035-61021</i>

Memory (DIMM)

C7842-67901	8MB, 100-pin SDRAM DIMM memory module
C7843-67901	16MB, 100-pin SDRAM DIMM memory module
C7845-67901	32MB, 100-pin SDRAM DIMM memory module
C7846-67901	64MB SDRAM - 100MHz synchronous DRAM - DIMM package
Q1887-67901	<i>New Part for C7846-67901</i>

Memory (Product)

C7842A	8MB, 100-pin SDRAM DIMM memory module
C7843A	16MB, 100-pin SDRAM DIMM memory module
C7845A	32MB, 100-pin SDRAM DIMM memory module
Q1887A	64MB, 100-pin synchronous SDRAM DIMM memory module

Power Module

0950-3169	Wall mount power supply module - 110-127V AC 57-63Hz input - 13V DC output at 300mA (USA, Canada) - For use with the J2592A external JetDirect LAN interface module
-----------	---

Scanner Assembly

15	C7045-69001	Copier/scanner assembly REQUIRES RETURN OF DEFECTIVE PART
	R37-5020-000CN	<i>New Part for C7045-69001</i>

Electronics/Power Cords
Cable

16	RG0-1074-000CN	Cable assembly with ferrite - 4 pin (F) connector on both ends - 35.7cm (14.1 inches) long - Connects between the laser/scanner assembly and the formatter board
17	RH2-5440-000CN	Flex cable - Has two 10 pin (M) edge connectors - 11.4cm (4.5 inches) long - Connects between the laser/scanner assembly and the formatter PC board

Control Panel

18	RG0-1024-000CN	Control panel assembly - Includes the control button and indicator LED's mounted on the left front cover support - Mounts on the upper left corner of the left side plate
----	----------------	---

Fan/Airflow Guide

19	RG0-1030-000CN	Fan and airflow guide assembly - Mounts to the upper front on the right side plate
----	----------------	--

Laser/Scanner

20	RG9-1486-000CN	Laser/scanner assembly - Mounts on top of the print structure frame
----	----------------	---

Memory (Product)

C9654AA	64MB firmware ROM DIMM (Revision C) - Current firmware for LaserJet 1200 series
---------	---

Electronics/Power Cords
PC Board

- 22 C7857-60001 Formatter PC board - Includes connectors for the USB and parallel ports, and optional copier/scanner - Mounts on the left side plate
- 23 RG0-1012-040CN Engine control PC board - Control and power supply board for the printer (For 110V to 127V operation) - Mounts in the bottom of the printer
- 24 RG0-1029-000CN Engine control PC board - Control and power supply board for the printer (For 220V to 240V operation) - Mounts in the bottom of the printer

Power Cord

- 8120-6800 Power cord (Flint Gray) - 16 AWG, 2.3m (7.5ft) long - Has straight (F) receptacle (For 240V in Israel)
- 8120-6809 Power cord (Dove Gray) - 2.3m (7.5ft) long - Has straight (F) receptacle (For 240V operation in the United Kingdom, Hong Kong, Singapore, Malaysia)
- 8120-6811 Power cord (Flint Gray) - 17 AWG, 2.3m (7.5ft) long - Has straight (F) receptacle (For 220V in Europe, Saudi Arabia, South Africa, India, and Korea)
- 8120-6812 Power cord (Flint Gray) - 18 AWG, 2.3m (7.5ft) long - Has straight (F) receptacle (For 120V in the USA, Canada, Mexico, Philippines, and Taiwan)
- 8120-6813 Power cord (Flint Gray) - 17 AWG, 2.3m (7.5ft) long - Has straight (F) receptacle (For 220V in South Africa, Saudi Arabia, and India)
- 8120-6814 Power cord (Flint Gray) - 17 AWG, 2.3m (7.5ft) long - Has straight (F) receptacle (For 220V in Denmark)
- 8120-6815 Power cord (Flint Gray) - 17 AWG, 2.3m (7.5ft) long - Has straight (F) receptacle (For 220V in Switzerland)

Sensor

- 32 RG0-1072-000CN Paper sensor PC board - Small board with optical flag sensor (Flag not included) - For sensing leading edge of paper - Mounts on the paper feed assembly in the paper pick-up assembly
- 33 RG0-1082-000CN Delivery sensor PC board - Small board with optical flag sensor (Flag not included) - For sensing paper output - Mounts on the bottom center of the fusing assembly

Solenoid

- 34 RH7-5284-000CN 24V DC Solenoid - Engages the pick-up roller gear/clutch assembly - Mounts on the right side plate
- RH7-5315-000CN New Part for RH7-5284-000CN*

Spring

- 35 RA0-1035-000CN Torsion spring - Provides high voltage connection to the toner cartridge (developing cylinder) - Mounts between the paper pickup roller and the transfer roller on the left side of the paper pickup assembly
- 36 RA0-1200-000CN Torsion spring - Provides high voltage connection to the toner cartridge (primary charging roller) - Mounts behind the transfer roller on the left side of the paper pickup assembly

External Case Parts
Cover

- 37 RA0-1177-000CN Front cover - Lower front of printer - With opening for inserting the paper input tray assembly
- 38 RA0-1178-000CN Right side cover assembly - Has molded-in air intake louvers
- 39 RA0-1179-000CN Left side printer cover - Covers the USB and parallel port Connectors (On the formatter board)
- 40 RA0-1183-000CN Connector cover - Small rectangular plastic cover - Mounts on top of the left side cover - Covers the connector for the optional copier/scanner if not installed
- 41 RG0-1016-000CN Rear cover assembly - Includes rear cover and fold down face-up (or straight through) paper output tray (Tray is NOT sold separately)
- 42 RG0-1017-020CN Top cover assembly - Has face-down paper output tray molded into it - Mounts to top of printer

Door

- 43 RG0-1015-000CN Toner cartridge door - Fold down door used when accessing the toner cartridge - Mounts to the top of the front cover

Foot

- 44 RA0-1003-000CN Rubber foot - Used for the rear feet on the bottom of printer - Mounts on the front bottom frame of the paper pick-up assembly (two used)
- 45 RA0-1197-000CN Rubber foot - Used for the front feet on the bottom of the printer - Mounts on the bottom of the right and left side plate assemblies (two used)

External Case Parts**Nameplate/Logo**

46 7121-8042 HP logo (jewel) - For HP LaserJet series printers - Mounts to the toner cartridge door

Pan

47 RA0-1127-000CN Support pan (case) for the print engine controller board - Metal pan which also acts as part of the bottom of the printer

Fusing Assembly Parts**Bushing**

48 RA0-1104-000CN Roller bushing/retainer - Mounts on the right end of the face-up output roller and retains it in the fusing assembly

Gear

49 RA0-1088-000CN 29 tooth gear - Mounts on the end of the pressure roller - Largest of the three gears on the fusing assembly

50 RA0-1089-000CN 17 tooth gear - Mounts on the end of the face-up output roller - Center gear of three gears on the fusing assembly

Roller

51 RF0-1003-000CN Face-up (straight through) output roller - Metal shaft with two rollers - Mounts in the fusing assembly behind the pressure roller

Roller Assembly

52 RG0-1010-000CN Output roller assembly - Includes face-down delivery roller, 4 spring-loaded pressure rollers, support frame, and drive gear - Delivers printed pages to the output tray on top of the printer - Mounts on the top rear of the fusing assembly

Sensor

53 RG0-1082-000CN Delivery sensor PC board - Small board with optical flag sensor (Flag not included) - For sensing paper output - Mounts on the bottom center of the fusing assembly

Other Accessories**CD-ROM (Support)**

C7044-60107 LaserJet 1200 series printers service and support, documentation and training on CDROM

Cartridge

C7115-60101 Ultraprecise black toner cartridge - Will print approximately 2,500 pages - For CREW fulfillment

C7115A Ultraprecise black toner cartridge - Will print approximately 2,500 pages based on a 5% print density

C7115X Ultraprecise black toner cartridge - Will print approximately 3,500 pages based on a 5% print density

Cleaning Supplies

5090-3379 Toner cleaning cloth - Specially treated cloth for absorbing toner (1 per package) - Ideal for cleaning up toner spills

Film (Transparency)

92296T LaserJet printer transparency film - A size (8.5 x 11-inches) - 50 sheets per box

92296U LaserJet printer transparency film - A4 size (21.0cm x 29.7cm) - 50 sheets per box

Kit

RG9-1519-000CN Anti-curl kit - Used to help correct paper curling at output problems usually caused by too high humidity or wrong media - Kit contains two Mylar fingers and installation instructions

Manual

5851-1891 LaserJet quick reference service guide (monochrome) - Covers the LaserJet 1000,1100,1300,2300,3300mfp,4100mfp,4200,4300,5000,5100,8150 and 9000 series printers

C7044-90906 LaserJet 1200 service manual - Printed version (English)

C7044-90923 Getting Started manual for LaserJet 1200 - Base model manual for North America and Western Europe

C7045-90916 Getting Started manual for LaserJet 1220 - Manual for the copy/scan/print model - North America and Western Europe

C7048-90910 Getting Started manual for LaserJet 1200N - Network capable model manual for North America and Western Europe

Protector

Q1299A Sheet protectors - 4mm (0.16in) thick polypropylene sheet protectors for 'A' size (8.5-inches x 11-inches) documents - Has top and side openings for easy insertion and removal of documents - 50 sleeves per box
NO LONGER SUPPLIED

Q1299B Sheet protectors - 4mm (0.16in) thick polypropylene sheet protectors for 'A4' size (210mm x 297mm) documents - Has top and side openings for easy insertion and removal of documents - 50 sleeves per box
NO LONGER SUPPLIED

Other Accessories**Screw**

- 69 RY7-5082-000CN Screw kit - Includes nine bags of different size screws - This is a complete set of screws for the LaserJet 1000 and 1200 series printers

Other Internal Parts**Bracket**

- 70 RA0-1185-000CN Left side fuser bracket ('L' Shaped) - Provides mounting support for the fusing assembly - Mounts to the upper rear corner of the left side plate
- 71 RA0-1186-000CN Right side fuser bracket ('L' Shaped) - Provides mounting support for the fusing assembly - Mounts to the upper rear corner of the right side plate

Clamp

- 72 WT2-5694-000CN Snap-in cable clamp - Secures the drive motor cable from the controller PC board to the metal support pan

Gear

- 73 RA0-1176-000CN 69 tooth gear - Large gear with ribs and six small holes - Mounts on on a rod in the upper rear corner of the right side plate

Gear Assembly

- 74 RA0-1172-000CN 17 tooth gear assembly - Includes the 17 tooth gear mounted on a black plastic bracket - Mounts to the right side plate assembly
- 75 RG0-1020-000CN Gear/clutch assembly (Solenoid activated) - Includes the two gear bodies and internal spring - Drives the pickup roller in the paper pickup assembly

Guide

- 76 RA0-1181-000CN Guide - For the shutter lever on the laser/scanner assembly - Mounts on the metal support bracket for the laser/scanner assembly
- 77 RG0-1022-000CN Front guide assembly - Ribbed plastic piece that runs the width of the printer - Mounts to the front of the left and right side plates

Lever

- 78 RA0-1182-000CN Shutter lever - Spring loaded lever - Mounts to the top of the laser/scanner assembly

Link

- 79 RA0-1023-000CN Connecting link - Connects between the sliding linkage on the left and right side plates and the toner cartridge access door (2 used)

Motor

- 80 RH7-1473-000CN Stepper motor assembly - Drives all rollers and fusing assembly via the gear train on the right side plate - Mounts on the inside rear of the right side plate

Plate

- 81 RG0-1001-040CN Right side plate assembly - Includes the right side plate, drive motor, most all drive gears, and cam levers - Does not come with the pick-up roller solenoid or 69 tooth gear
- 82 RG0-1002-060CN Left plate assembly - Left side of internal printer mechanism - Plate that the formatter PC board mounts to

Shield

- 83 C7044-00001 RFI shield - Metal plate that covers the formatter board - Mounts on the left side plate

Spacer

- 84 RA0-1128-000CN Printed circuit board spacer - Mounts between the print engine control board and the metal support pan (six used)

Spring

- 85 RA0-1169-000CN Compression spring - Provides tension for the shutter lever - Mounts between the shutter lever and the laser/scanner assembly
- 86 RA0-1175-000CN Tension spring - Provides tension for lever - Mounts on the lower front on the right side plate

Support

- 87 RA0-1173-000CN Mounting support - Metal piece that supports the paper pick-up solenoid (SL001) - Mounts on the right side plate
- 88 RA0-1184-000CN Right side cover mounting support - Front Cover support - Mounts on the upper right corner of the right side plate

Paper Path Parts

Fusing Assembly

- 89 RG9-1493-000CN Fusing assembly - Bonds toner to paper with heat (For 100V to 120V operation) - Mounts in the upper rear of the printer
- 90 RG9-1494-000CN Fusing assembly - Bonds toner to paper with heat (For 220V to 240V operation) - Mounts in the upper rear of the printer

Kit

- 91 RY7-5055-000CN Scanner separation pad kit - Kit includes separation pad, separation backing pad and separation pad holder

Laser/Scanner

- 92 RG9-1486-000CN Laser/scanner assembly - Mounts on top of the print structure frame

Paper Pick-Up

- 93 RG0-1003-000CN Paper pick-up assembly - Includes the pick-up roller, feed roller assembly, separation pad, plastic housing and other associated parts - Does NOT include the pickup roller

Roller

- 94 RF0-1008-000CN Paper Pick-up Roller ('D' shaped roller) - Picks up media from the paper input tray - Clips in the holder on the paper pick-up shaft
- RL1-0303-000CN New Part for RF0-1008-000CN*
- 95 RG9-1483-000CN Transfer roller assembly - Transfers static charge to the media being printed on - Mounts in the top rear of the paper pick-up assembly

Paper Pick-Up Assy Parts

Foot

- 96 RA0-1003-000CN Rubber foot - Used for the rear feet on the bottom of printer - Mounts on the front bottom frame of the paper pick-up assembly (two used)

Gear Assembly

- 97 RY7-5081-000CN Gear/clutch assembly kit - Includes 19-tooth/31-tooth double-gear body, ratcheted shaft piece and spring - For driving the paper feed roller shaft in the paper pickup assembly

Pad

- 98 RF0-1014-000CN Separation pad assembly - Mounts on a spring loaded arm in the paper pick-up assembly

Paper Pick-Up

- 99 RG0-1003-000CN Paper pick-up assembly - Includes the pick-up roller, feed roller assembly, separation pad, plastic housing and other associated parts - Does NOT include the pickup roller

Plate

- 100 RG0-1006-000CN Paper lift plate assembly - Plastic plate assembly that includes the two blue paper width adjusters - Mounts to the top front of the paper pick-up assembly

Roller

- 101 RF0-1008-000CN Paper Pick-up Roller ('D' shaped roller) - Picks up media from the paper input tray - Clips in the holder on the paper pick-up shaft
- RL1-0303-000CN New Part for RF0-1008-000CN*

Roller/Holder

- 102 RG0-1005-000CN Paper feed roller assembly - Includes feed roller, feed roller base assembly, retainer bushings, paper input leading edge sensor, sensor flag and spring

Sensor

- 103 RG0-1072-000CN Paper sensor PC board - Small board with optical flag sensor (Flag not included) - For sensing leading edge of paper - Mounts on the paper feed assembly in the paper pick-up assembly

Shaft

- 104 RG0-1007-020CN Paper pick-up shaft assembly - Includes the shaft, the two cams, pick-up roller holder, and end cap - Mounts in the paper pick-up assembly

Spring

- 105 RA0-1035-000CN Torsion spring - Provides high voltage connection to the toner cartridge (developing cylinder) - Mounts between the paper pickup roller and the transfer roller on the left side of the paper pickup assembly
- 106 RA0-1200-000CN Torsion spring - Provides high voltage connection to the toner cartridge (primary charging roller) - Mounts behind the transfer roller on the left side of the paper pickup assembly

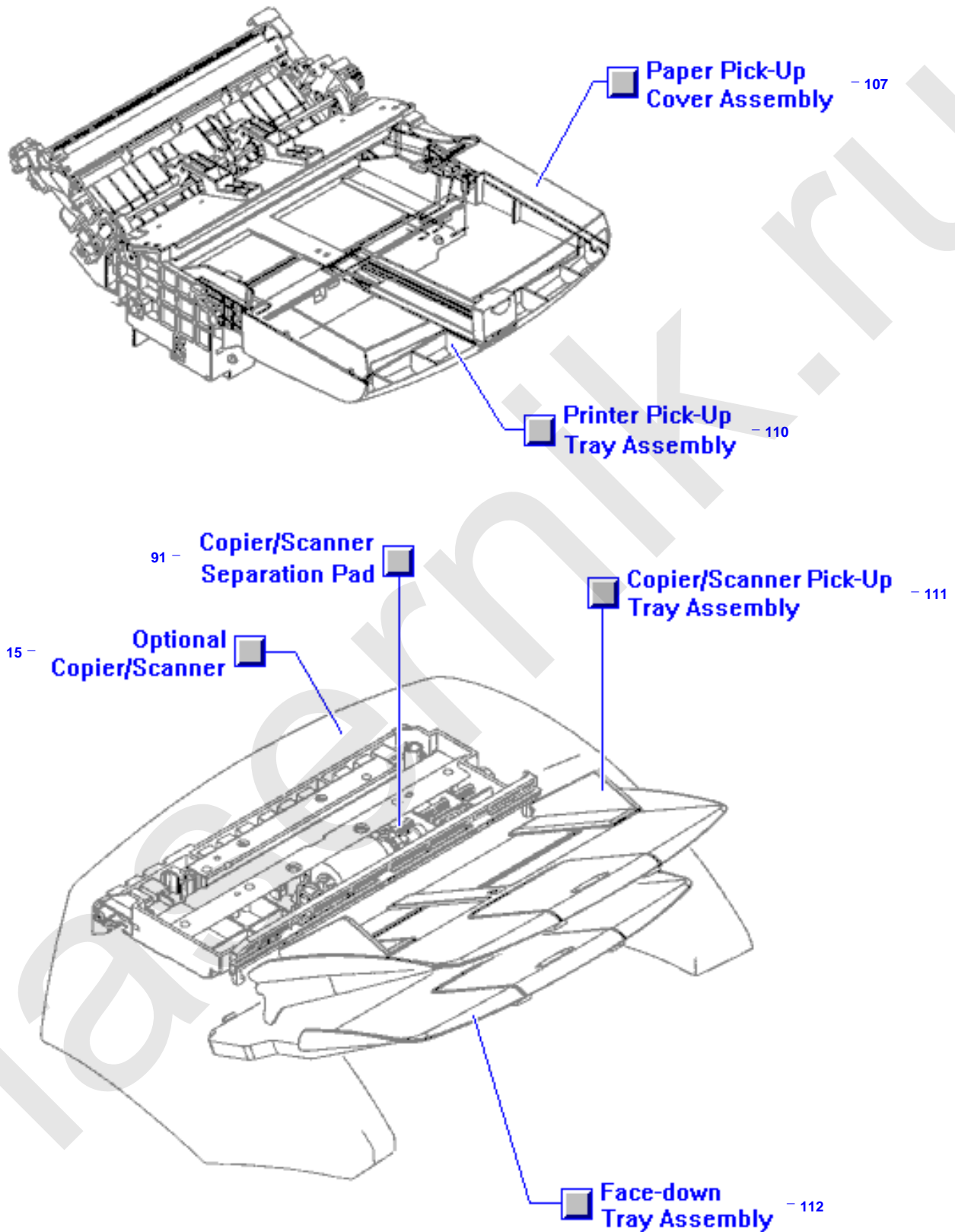
Paper Tray Parts**Cover**

- 107 RG0-1014-000CN Paper tray cover assembly - Includes clear plastic cover with blue width adjustment guides for 'priority' paper input - Covers the LaserJet paper input tray
- 108 RG0-1016-000CN Rear cover assembly - Includes rear cover and fold down face-up (or straight through) paper output tray (Tray is NOT sold separately)
- 109 RG0-1017-020CN Top cover assembly - Has face-down paper output tray molded into it - Mounts to top of printer

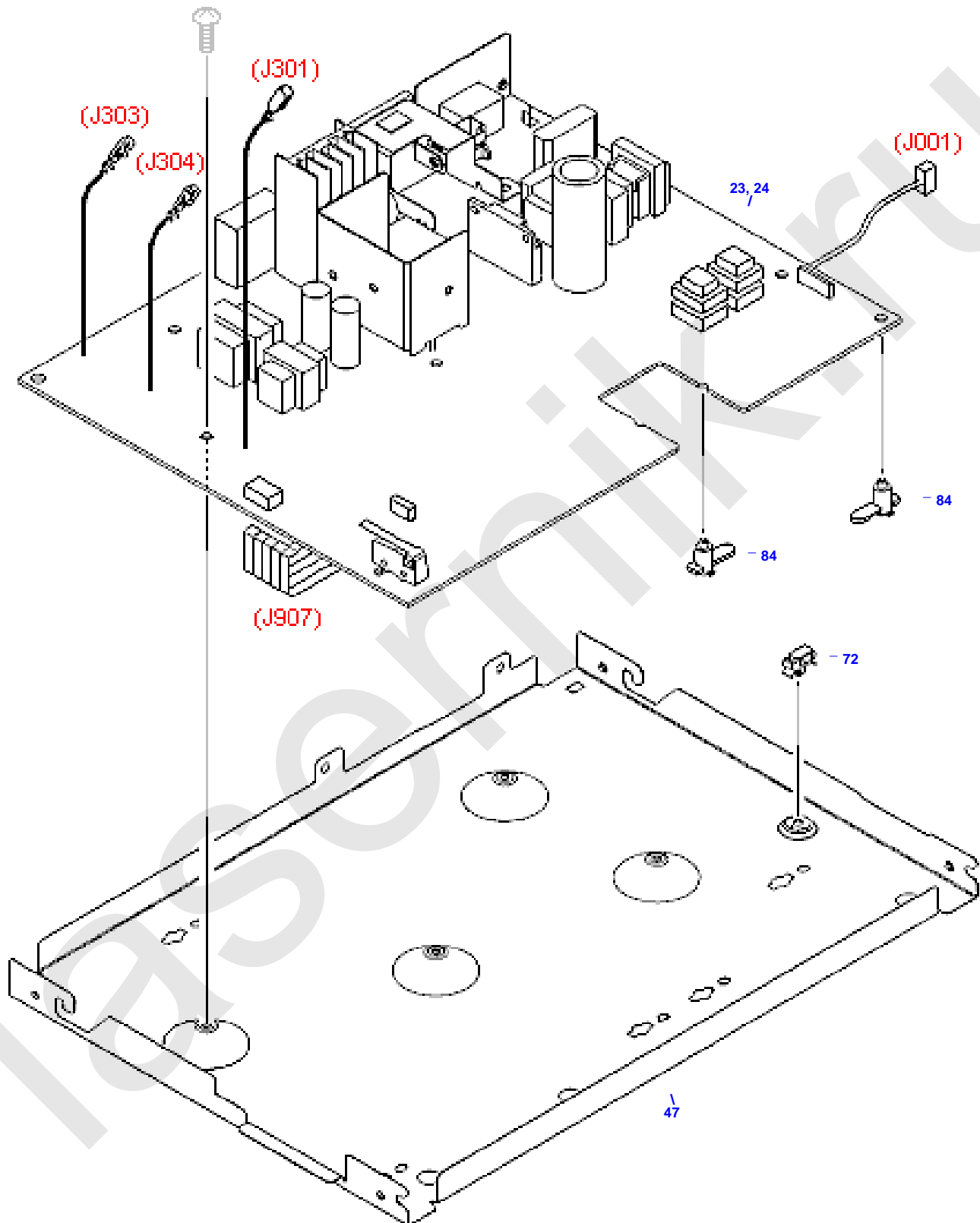
Tray

- 110 RG0-1013-000CN Printer input paper tray assembly - Includes bottom tray, blue paper length adjustment lever, and extension arm (Does NOT include the paper tray cover)
- 111 RG0-1069-000CN Pick-up tray assembly - Paper input tray for the optional copier/scanner assembly
- 112 RG0-1070-000CN Face-down tray assembly - Paper output tray for the optional copier/scanner assembly

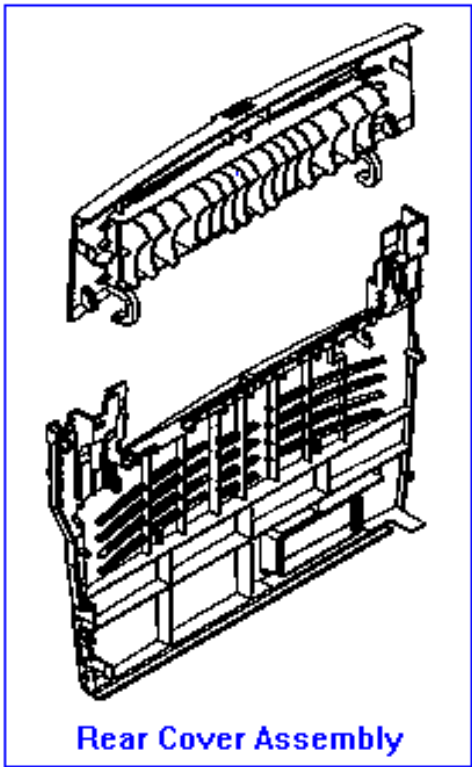
Main Assembly Locator



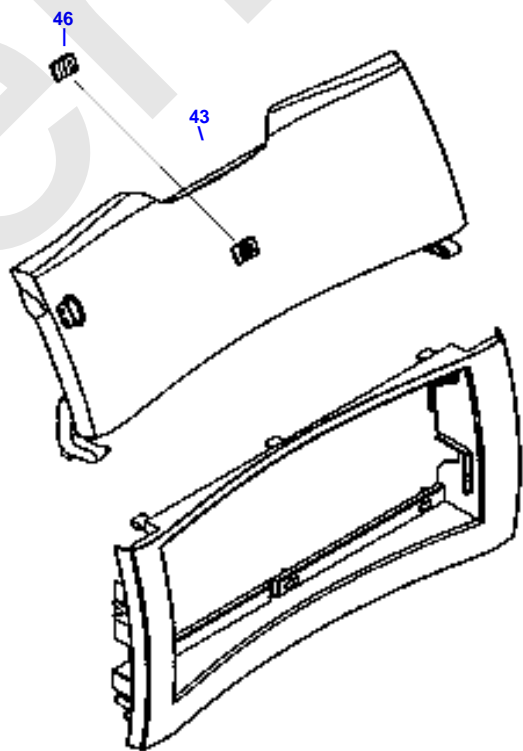
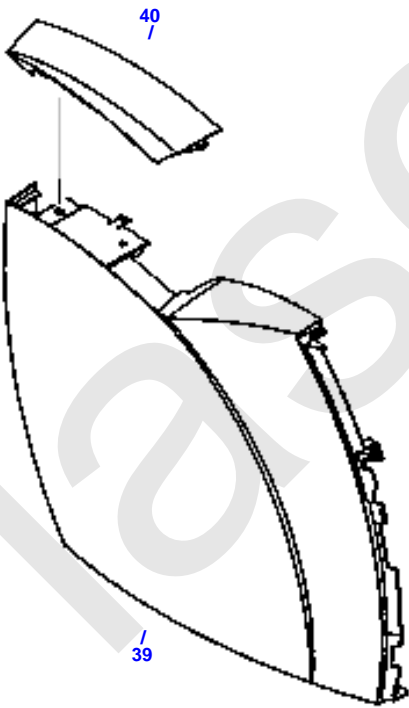
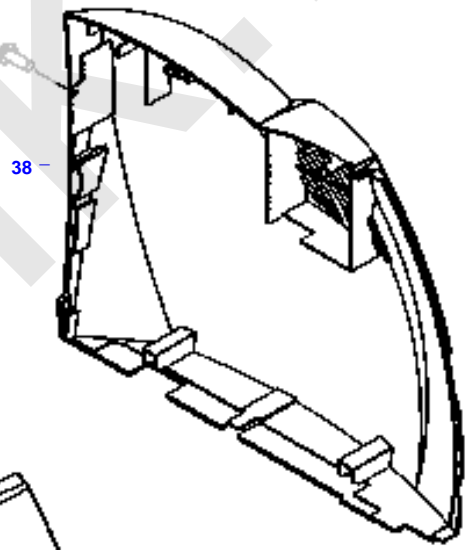
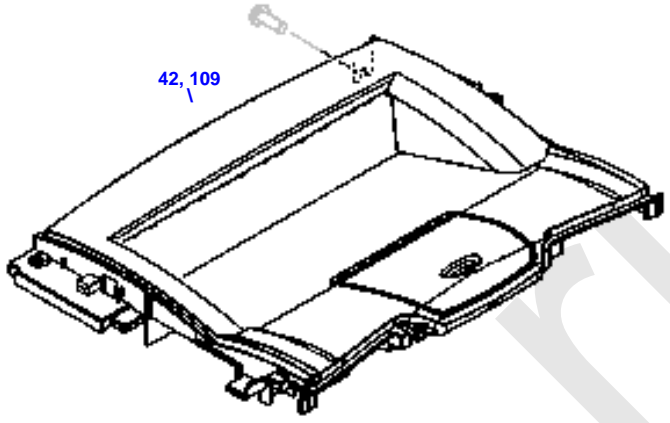
Engine Control PC Board and Related Parts



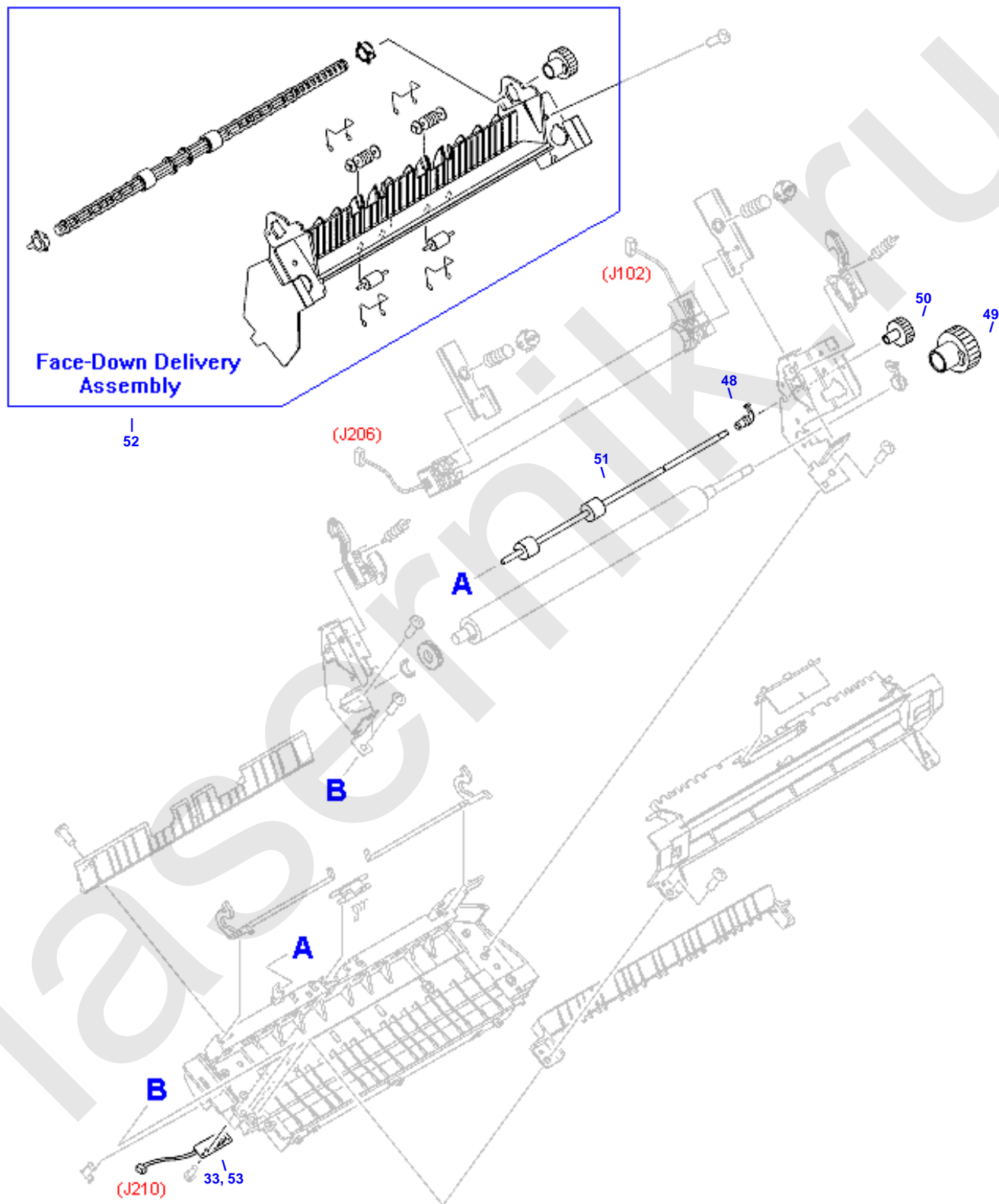
External Case Parts



41, 108

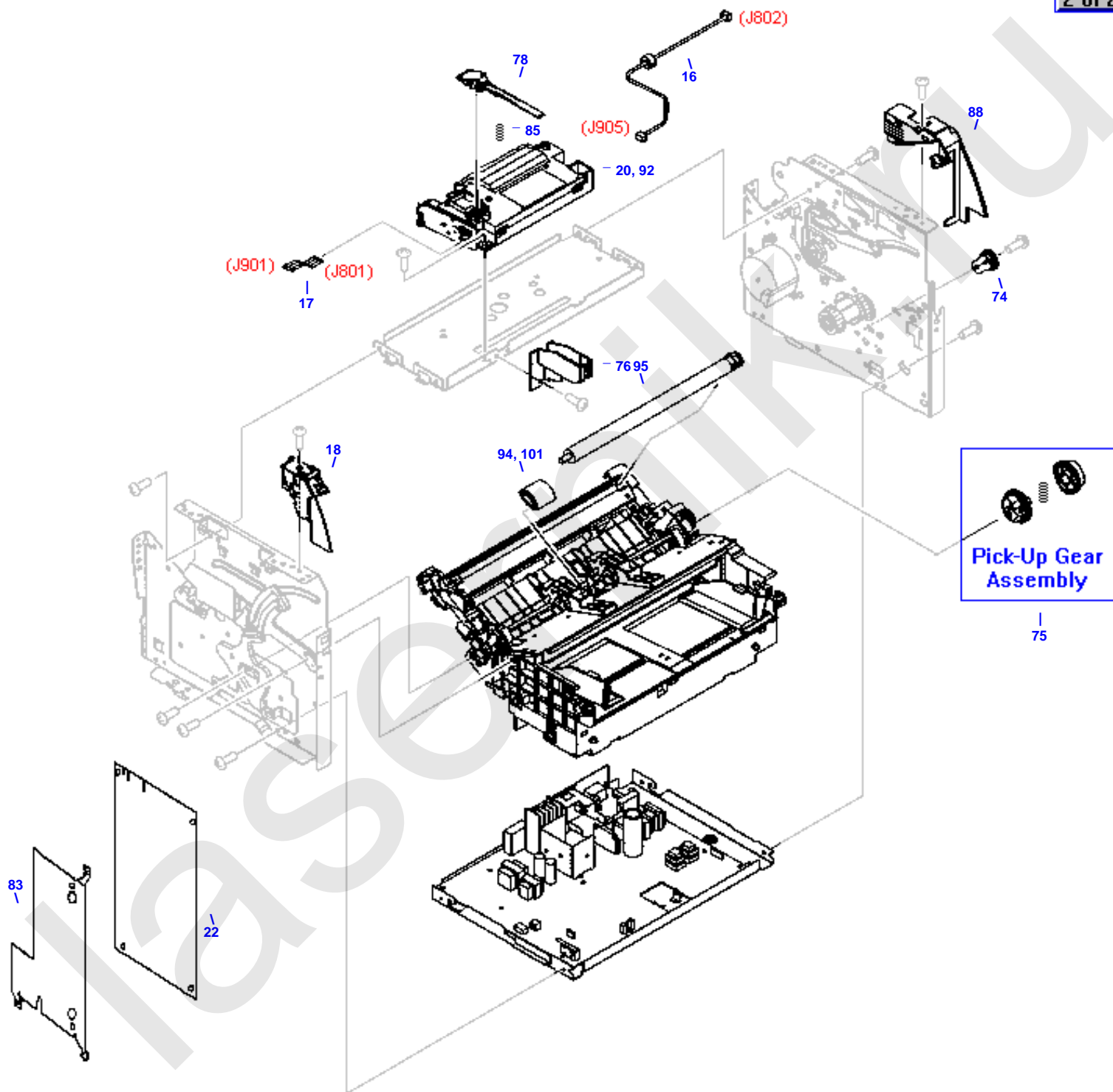


Fusing Assembly Parts

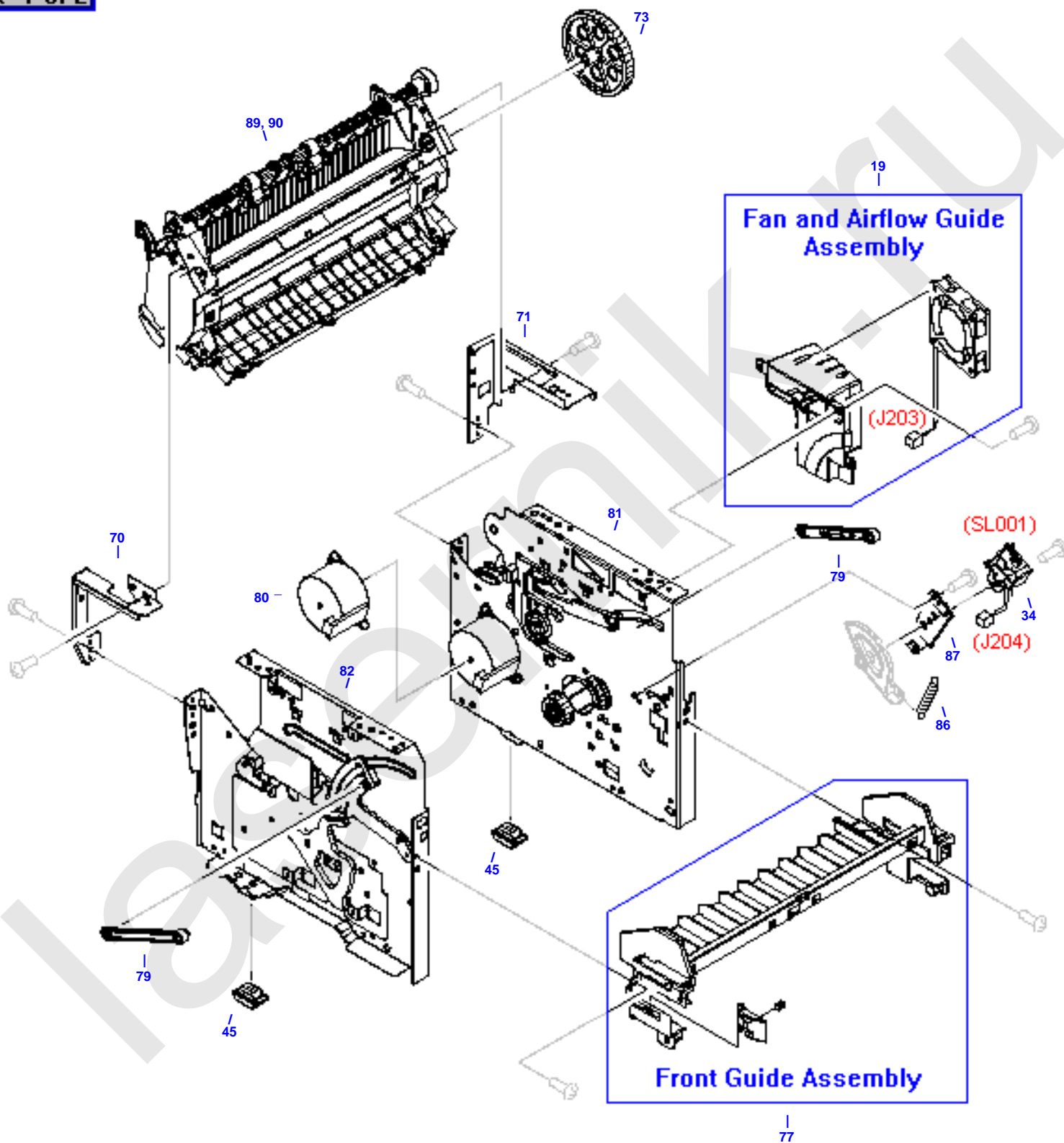
 Fusing Assembly - 89, 90

Internal Components (1 of 2)

2 of 2 →




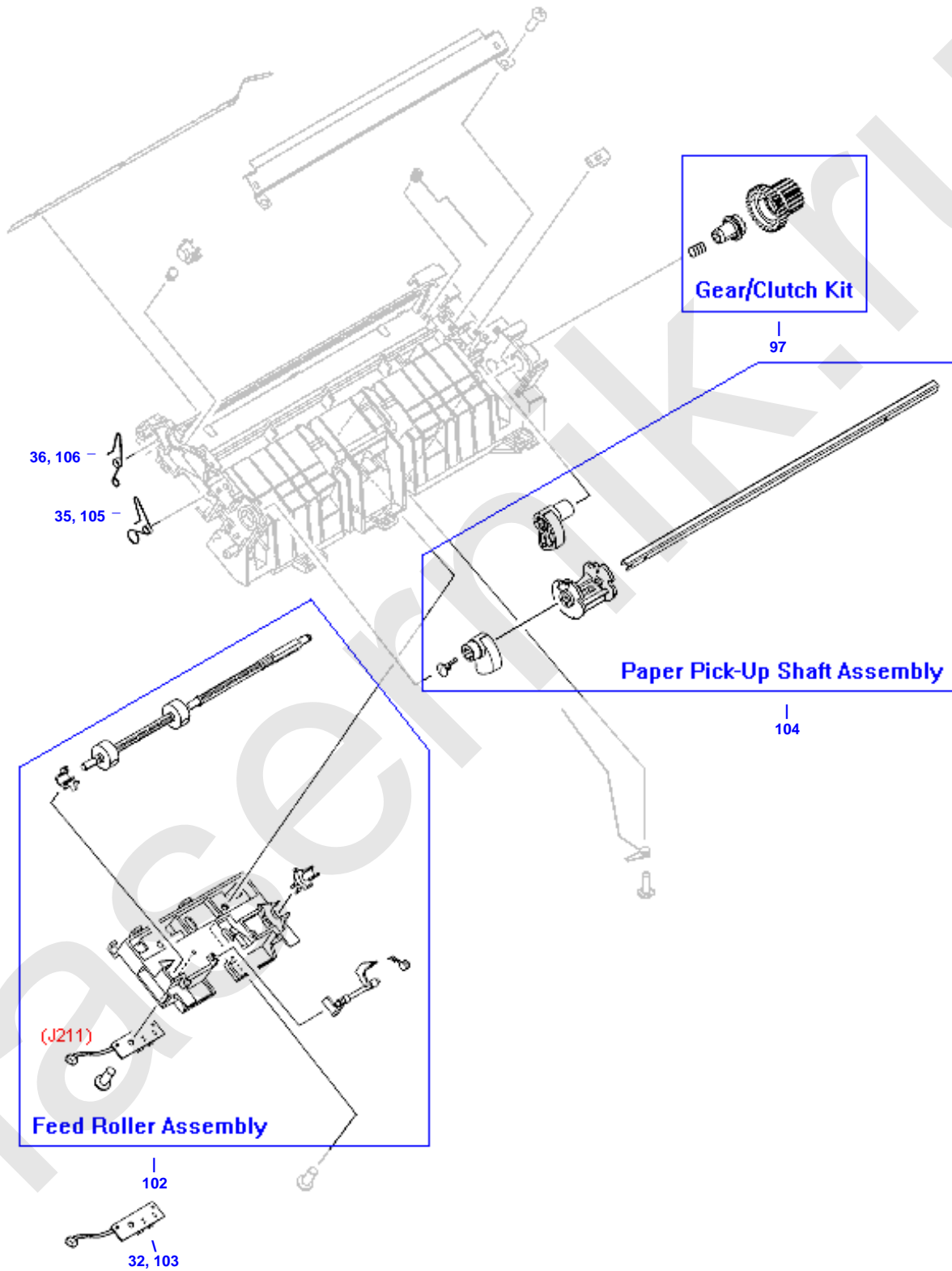
← 1 of 2



Paper Pickup Assembly (1 of 2)

 Paper Pick-Up Assembly - 93, 99

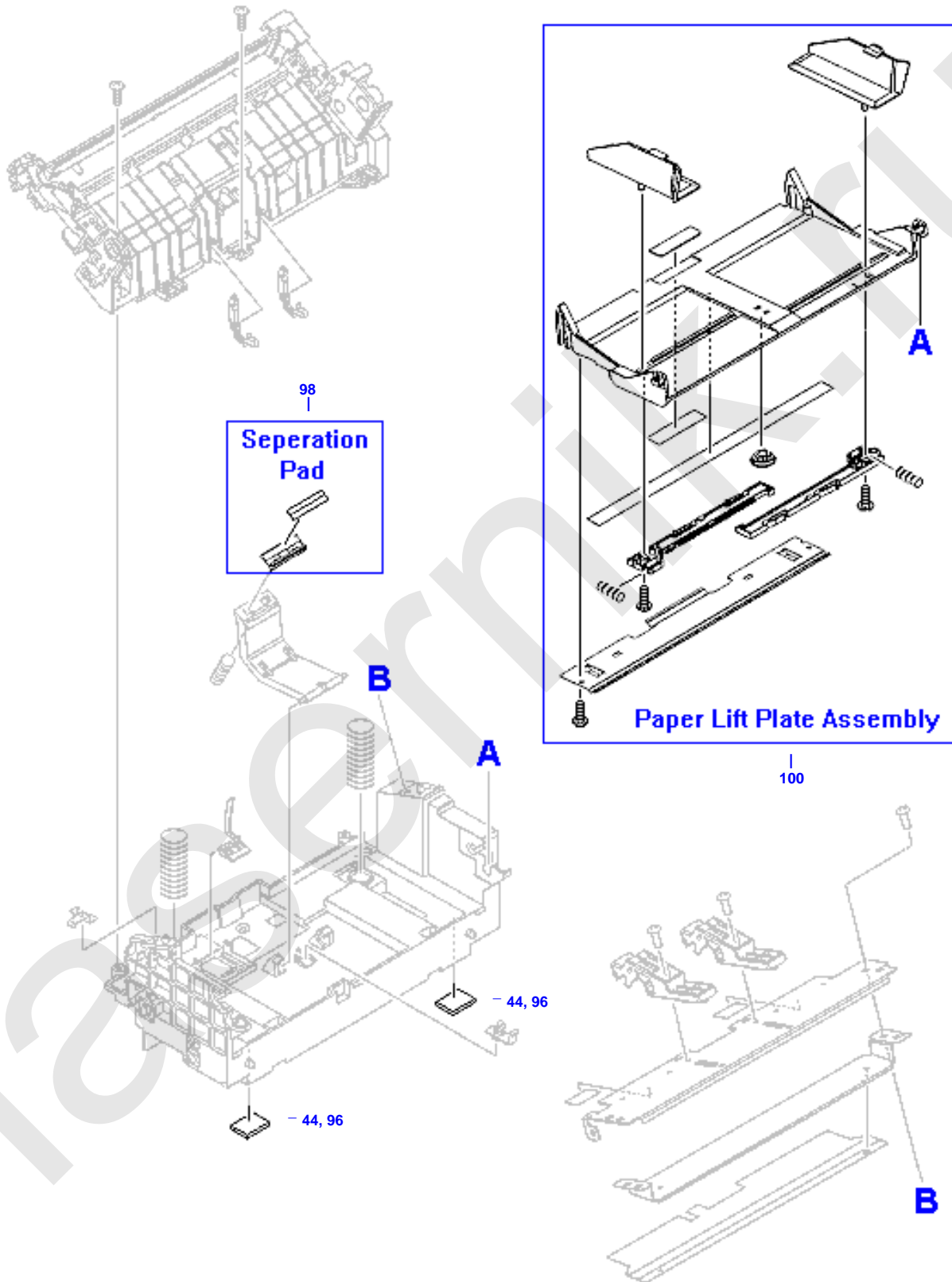
 2 of 2 →



Paper Pickup Assembly (2 of 2)

← 1 of 2

Paper Pick-Up Assembly - 93, 99



Screw Kit



 LaserJet 1000/1200 Screw Kit

HP Parts Reference Guide

<http://www.hp.com/go/parts>

HP PartSurfer

<http://partsurfer.hp.com>

HP Parts Ordering Information

<http://www.hp.com/go/hpparts>

HP Parts Questions/Comments

<http://partsurfer.hp.com/contactus.htm>

laser.nik.ru