

**Electronics/Power Cords****Cable**

- 1 RG0-1097-000CN 4-wire cable assembly - Connects between the laser/scanner assembly and the connector PC board

**Cable (Interface)**

- 2 Q1342-69001 Cable pod assembly - Includes USB cable with attached pod assembly - Connects the LaserJet to the Computer  
REQUIRES RETURN OF DEFECTIVE PART

Q1342-60001 *New Part for Q1342-69001*

**LED**

- 4 RG0-1087-000CN LED status panel assembly (or control panel) - Plastic front

**Laser/Scanner**

- 3 RG9-1498-000CN Laser/Scanner assembly

**PC Board**

- 5 RG0-1090-000CN Connector PC board assembly - Has connector for the cable  
6 RG0-1093-000CN Engine control PC board - Main logic and power supply board  
7 RG0-1094-000CN Engine control PC board - Main logic and power supply board for the printer (For 220-240VAC operation)

**Power Cord**

- 8120-6800 Power cord (Flint Gray) - 16 AWG, 2.3m (7.5ft) long - Has straight (F) receptacle (For 240V in Israel)  
8120-6869 Power cord (Flint Gray) - 2.3m (7.5ft) long, 3-wire - Has straight (F) receptacle (For 220V in Argentina)  
8120-8382 Power cord (Flint Gray) - 18 AWG, 1.8m (6.0ft) long - Has straight (F) receptacle (For 120V in the USA and Canada)  
8120-8707 Power cord (Flint Gray) - 17 AWG, 2.3m (7.5ft) long - Has straight (F) receptacle (For 220V in China)  
8120-8871 Power cord (Black) - 17 AWG, 2.3m (7.5ft) long - Has straight (F) receptacle (For 220V in Thailand, Cambodia, Vietnam, and the Philippines)  
8121-0516 Power cord (Flint Gray) - 18 AWG, 1.9m (6.25ft) long - Has straight (F) receptacle (For 220V in Europe)  
8121-0517 Power cord (Flint Gray) - 18 AWG, 1.9m (6.25ft) long - Has straight (F) receptacle (For 240V in the UK, Hong Kong, Singapore, and Malaysia)  
8121-0518 Power cord (Flint Gray) - 18 AWG, 1.9m (6.25ft) long - Has straight (F) receptacle (For 220V in Denmark)  
8121-0519 Power cord (Flint Gray) - 18 AWG, 1.9m (6.25ft) long - Has straight (F) receptacle (For 220V in Switzerland)  
8121-0520 Power cord (Flint Gray) - 18 AWG, 1.9m (6.25ft) long - Has straight (F) receptacle (For 240V in India)  
8121-0524 Power cord (Flint Gray) - 18 AWG, 1.9m (6.25ft) long - Has straight (F) receptacle (For 240V in Australia)

**Sensor**

- 19 RG0-1072-000CN Paper sensor PC board - Small board with optical flag sensor (Flag not included)  
20 RG0-1082-000CN Delivery sensor PC board - Small board with optical flag sensor (Flag not included)

**Solenoid**

- 21 RH7-5315-000CN 24VDC Solenoid

**Spring**

- 22 RA0-1035-000CN Torsion spring - Provides high voltage connection to the toner cartridge (developing cylinder) - Mounts between the paper pickup roller and the transfer roller on the left side of the paper pickup assembly  
23 RA0-1200-000CN Torsion spring - Provides high voltage connection to the toner cartridge (primary charging roller) - Mounts behind the transfer roller on the left side of the paper pickup assembly

**External Case Parts****Cover**

- 24 RA0-1177-000CN Front cover - Lower front of printer - With opening for inserting the paper input tray assembly  
25 RA0-1403-000CN Left side cover - Has cut-out for the cable pod assembly  
26 RA0-1405-000CN Paper tray cover - Lift-up translucent aqua plastic cover for the input paper tray  
27 RF0-1073-000CN Right side cover assembly - Has molded-in air intake louvers  
28 RG0-1016-000CN Rear cover assembly - Includes rear cover and fold down face-up (or straight through) paper output tray (Tray is NOT sold separately)

**External Case Parts****Door**

29 RG0-1091-000CN Toner cartridge door - Fold down door used when accessing the toner cartridge

**Foot**

30 RA0-1003-000CN Rubber foot - Used for the rear feet on the bottom of printer - Mounts on the front bottom frame of the paper pick-up assembly (two used)

31 RA0-1197-000CN Rubber foot - Used for the front feet on the bottom of the printer - Mounts on the bottom of the right and left side plate assemblies (two used)

**Nameplate/Logo**

32 7121-8042 HP logo (jewel) - For HP LaserJet series printers - Mounts to the toner cartridge door

**Pan**

33 RA0-1127-000CN Support pan (case) for the print engine controller board - Metal pan which also acts as part of the bottom of the printer

**Fusing Assembly Parts****Bushing**

34 RA0-1104-000CN Roller bushing/retainer

**Fusing Assembly**

35 RG9-1493-000CN Fusing assembly - Bonds toner to paper with heat (For 100V to 120V operation)

36 RG9-1494-000CN Fusing assembly - Bonds toner to paper with heat (For 220V to 240V operation)

**Gear**

37 RA0-1088-000CN 29 tooth gear

38 RA0-1089-000CN 17 tooth gear

**Roller**

39 RF0-1003-000CN Face-up (straight through) output roller - Metal shaft with two rollers - Mounts in the fusing assembly behind the pressure roller

**Roller Assembly**

40 RG0-1010-000CN Output roller assembly - Includes face-down delivery roller, 4 spring-loaded pressure rollers, support frame, and drive gear - Delivers printed pages to the output tray on top of the printer - Mounts on the top rear of the fusing assembly

**Sensor**

41 RG0-1082-000CN Delivery sensor PC board - Small board with optical flag sensor (Flag not included)

**Other Accessories****Cartridge**

C7115-60101 Ultraprecise black toner cartridge - Will print approximately 2,500 pages - For CREW fulfillment

C7115A Ultraprecise black toner cartridge - Will print approximately 2,500 pages based on a 5% print density

**Cleaning Supplies**

5090-3379 Toner cleaning cloth - Specially treated cloth for absorbing toner (1 per package) - Ideal for cleaning up toner spills

**Film (Transparency)**

92296T LaserJet printer transparency film - A size (8.5 x 11-inches) - 50 sheets per box

92296U LaserJet printer transparency film - A4 size (21.0cm x 29.7cm) - 50 sheets per box

**Manual**

Q1342-90901 LaserJet 1000 Series getting started guide (English, French, Spanish and Portuguese)

Q1342-90902 LaserJet 1000 Series getting started guide (English, Hebrew, Turkish, Russian, Hungarian, Polish, French, Slovakian and Czechoslovakian)

Q1342-90903 LaserJet 1000 Series getting started guide (English, Swedish, Finnish, Danish, Norwegian, Hebrew, Latvian, Lithuanian and Estonian)

Q1342-90904 LaserJet 1000 Series getting started guide (English, Polish, Czechoslovakian, Hungarian, Slovakian, Slovenian, Croatian and Romanian)

Q1342-90905 LaserJet 1000 Series getting started guide (English, Russian, Kazakh, Bulgarian and Turkish)

Q1342-90906 LaserJet 1000 Series getting started guide (English, Arabic and French)

**Other Accessories****Manual**

- Q1342-90907 LaserJet 1000 Series getting started guide (English and Simplified Chinese)
- Q1342-90908 LaserJet 1000 Series getting started guide (English, Traditional Chinese (Taiwanese), Thai, Bahasa Indonesian, Vietnamese and Korean)
- Q1342-90922 LaserJet 1000 Service manual - Printed version (English)

**Paper**

- Q1298A LaserJet Satin finish tough paper - A size (8.5 x 11-inches) - Will not tear and will withstand outdoor weather conditions - Can print on both sides
- Q1298B LaserJet Satin finish tough paper - A4 size (21.0cm x 29.7cm) - Will not tear and will withstand outdoor weather conditions - Can print on both sides - 50 sheets per box

**Protector**

- Q1299A Sheet protectors - 4mm (0.16in) thick polypropylene sheet protectors for 'A' size (8.5-inches x 11-inches) documents - Has top and side openings for easy insertion and removal of documents - 50 sleeves per box  
NO LONGER SUPPLIED
- Q1299B Sheet protectors - 4mm (0.16in) thick polypropylene sheet protectors for 'A4' size (210mm x 297mm) documents - Has top and side openings for easy insertion and removal of documents - 50 sleeves per box  
NO LONGER SUPPLIED

**Screw**

- 60 RY7-5082-000CN Screw kit - Includes nine bags of different size screws - This is a complete set of screws for the LaserJet 1000 and 1200 series printers

**Other Internal Parts****Bracket**

- 61 RA0-1185-000CN Left side fuser bracket ('L' Shaped) - Provides mounting support for the fusing assembly - Mounts to the upper rear corner of the left side plate
- 62 RA0-1186-000CN Right side fuser bracket ('L' Shaped) - Provides mounting support for the fusing assembly - Mounts to the upper rear corner of the right side plate

**Clamp**

- 63 WT2-5694-000CN Snap-in cable clamp - Secures the drive motor cable from the controller PC board to the metal support pan

**Gear**

- 64 RA0-1176-000CN 69 tooth gear - Large gear with ribs and six small holes - Mounts on on a rod in the upper rear corner of the right side plate

**Gear Assembly**

- 65 RA0-1172-000CN 17 tooth gear assembly - Includes the 17 tooth gear mounted on a black plastic bracket - Mounts to the right side plate assembly
- 66 RG0-1020-000CN Gear/clutch assembly (Solenoid activated) - Includes the two gear bodies and internal spring - Drives the pickup roller in the paper pickup assembly

**Guide**

- 67 RA0-1161-000CN Front guide assembly - Ribbed plastic piece that runs the width of the printer

**LED**

- 68 RG0-1087-000CN LED status panel assembly (or control panel) - Plastic front

**Lever**

- 69 RA0-1182-000CN Shutter lever - Spring loaded lever

**Link**

- 70 RA0-1023-000CN Connecting link - Connects between the sliding linkage on the left and right side plates and the toner cartridge access door (2 used)

**Motor**

- 71 RH7-1505-000CN Stepper motor assembly

**Other Internal Parts**
**Plate**

- 72 RG0-1083-040CN Right side plate assembly - Includes the right side plate, drive motor, most all drive gears, and cam levers - Does not come with the pick-up roller solenoid or 69 tooth gear
- 73 RG0-1084-060CN Left side plate assembly - Internal metal plate

**Spacer**

- 74 RA0-1128-000CN Printed circuit board spacer - Mounts between the print engine control board and the metal support pan (six used)

**Spring**

- 75 RA0-1169-000CN Compression spring - Provides tension for the shutter lever - Mounts between the shutter lever and the laser/scanner assembly

**Support**

- 76 RA0-1173-000CN Mounting support - Metal piece that supports the paper pick-up solenoid (SL001) - Mounts on the right side plate
- 77 RA0-1184-000CN Right side cover mounting support

**Paper Path Parts**
**Fusing Assembly**

- 78 RG9-1493-000CN Fusing assembly - Bonds toner to paper with heat (For 100V to 120V operation)
- 79 RG9-1494-000CN Fusing assembly - Bonds toner to paper with heat (For 220V to 240V operation)

**Laser/Scanner**

- 80 RG9-1498-000CN Laser/Scanner assembly

**Paper Pick-Up**

- 81 RG0-1085-000CN Paper pick-up assembly - Includes the pick-up roller, feed roller assembly, separation pad, plastic housing and other associated parts

**Roller**

- 82 RF0-1008-000CN Paper Pick-up Roller ('D' shaped roller)
- RL1-0303-000CN New Part for RF0-1008-000CN*
- 83 RG9-1483-000CN Transfer roller assembly - Transfers static charge to the media being printed on

**Paper Pick-Up Assy Parts**
**Foot**

- 84 RA0-1003-000CN Rubber foot - Used for the rear feet on the bottom of printer - Mounts on the front bottom frame of the paper pick-up assembly (two used)

**Gear Assembly**

- 85 RY7-5081-000CN Gear/clutch assembly kit - Includes 19-tooth/31-tooth double-gear body, ratcheted shaft piece and spring

**Ground Plane**

- 86 RA0-1072-000CN Grounding Plate - L-shaped, spring steel

**Pad**

- 87 RF0-1014-000CN Separation pad assembly - Mounts on a spring loaded arm in the paper pick-up assembly

**Paper Pick-Up**

- 88 RG0-1085-000CN Paper pick-up assembly - Includes the pick-up roller, feed roller assembly, separation pad, plastic housing and other associated parts

**Plate**

- 89 RG0-1006-000CN Paper lift plate assembly - Plastic plate assembly that includes the two blue paper width adjusters - Mounts to the top front of the paper pick-up assembly

**Roller**

- 90 RF0-1008-000CN Paper Pick-up Roller ('D' shaped roller)
- RL1-0303-000CN New Part for RF0-1008-000CN*

**Paper Pick-Up Assy Parts****Roller/Holder**

- 91 RG0-1005-000CN Paper feed roller assembly - Includes feed roller, feed roller base assembly, retainer bushings, paper input leading edge sensor, sensor flag and spring - Mounts on the bottom of the paper pick-up assembly

**Sensor**

- 92 RG0-1072-000CN Paper sensor PC board - Small board with optical flag sensor (Flag not included)

**Shaft**

- 93 RG0-1007-020CN Paper pick-up shaft assembly - Includes the shaft, the two cams, pick-up roller holder, and end cap - Mounts in the paper pick-up assembly

**Spring**

- 94 RA0-1035-000CN Torsion spring - Provides high voltage connection to the toner cartridge (developing cylinder) - Mounts between the paper pickup roller and the transfer roller on the left side of the paper pickup assembly
- 95 RA0-1200-000CN Torsion spring - Provides high voltage connection to the toner cartridge (primary charging roller) - Mounts behind the transfer roller on the left side of the paper pickup assembly

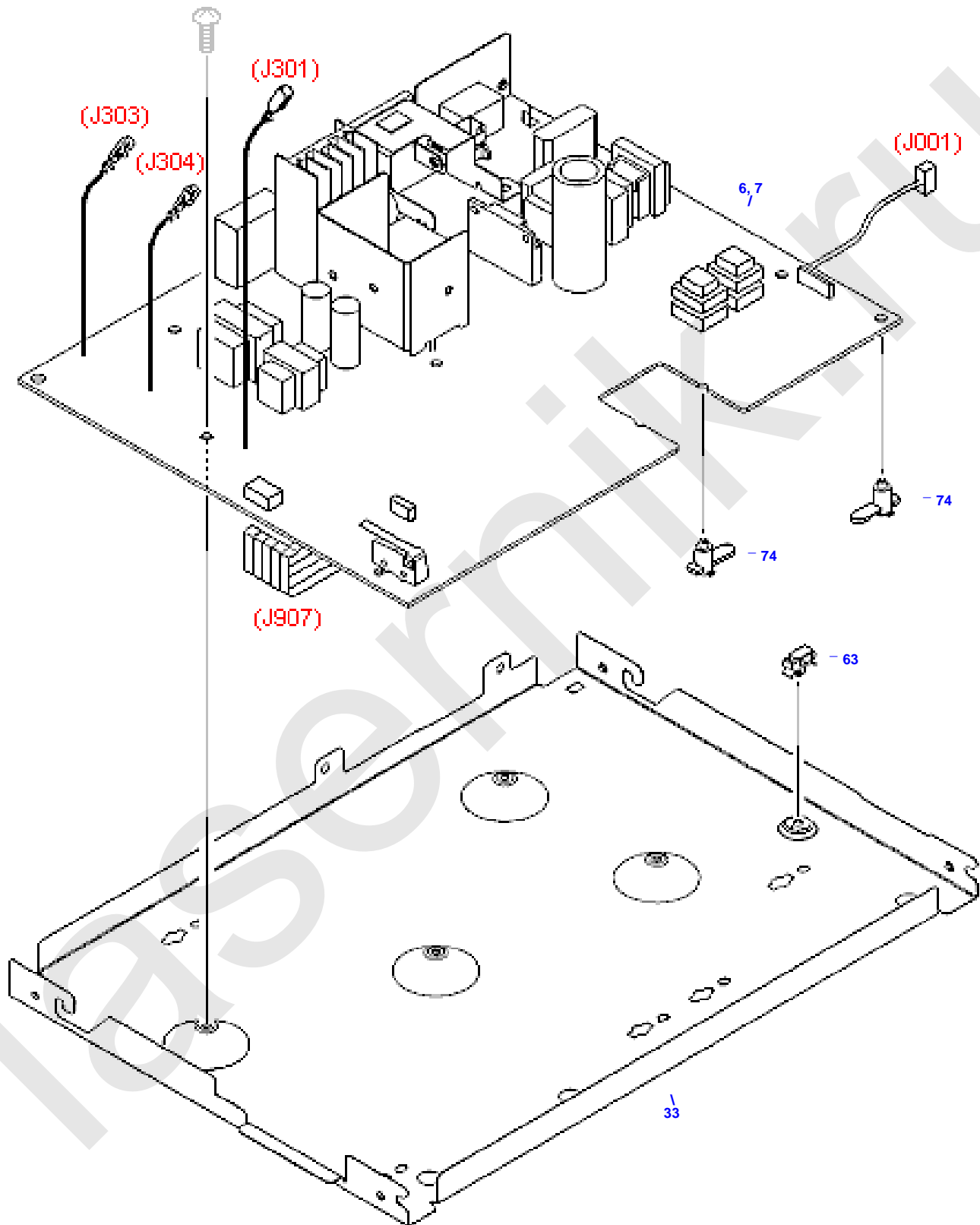
**Paper Tray Parts****Cover**

- 96 RA0-1405-000CN Paper tray cover - Lift-up translucent aqua plastic cover for the input paper tray
- 97 RG0-1016-000CN Rear cover assembly - Includes rear cover and fold down face-up (or straight through) paper output tray (Tray is NOT sold separately)

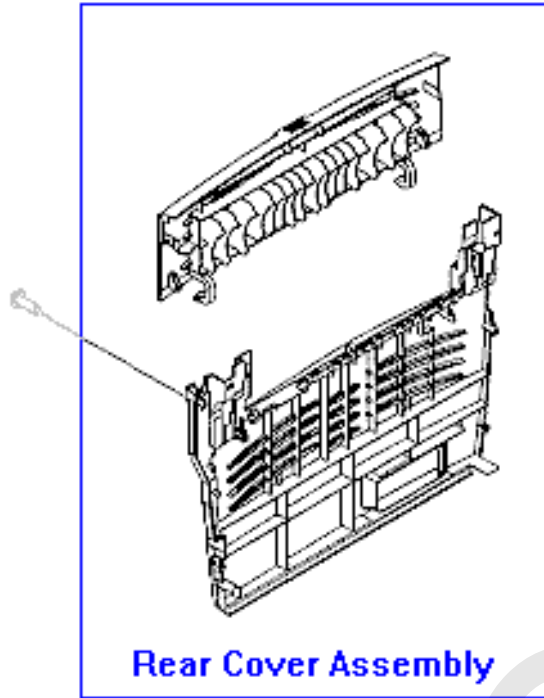
**Tray**

- 98 RG0-1013-000CN Printer input paper tray assembly - Includes bottom tray, blue paper length adjustment lever, and extension arm (Does NOT include the paper tray cover)

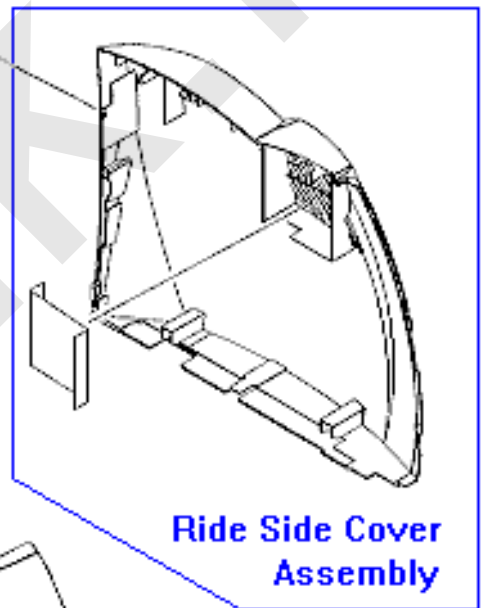
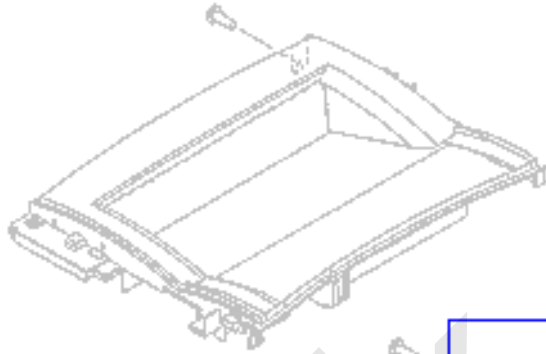
Engine Control PC Board and Related Parts



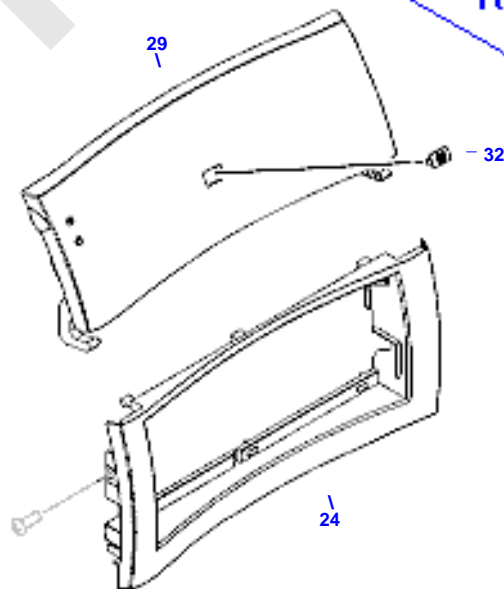
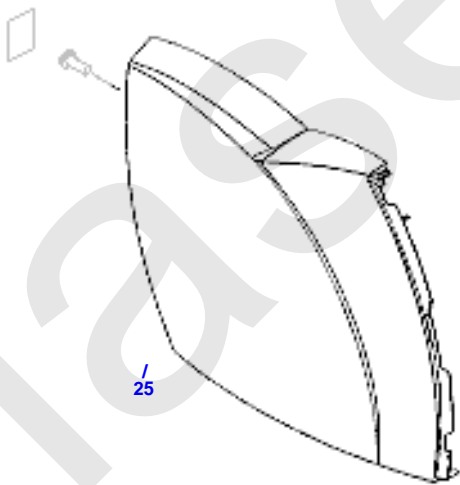
External Case Parts



28, 97

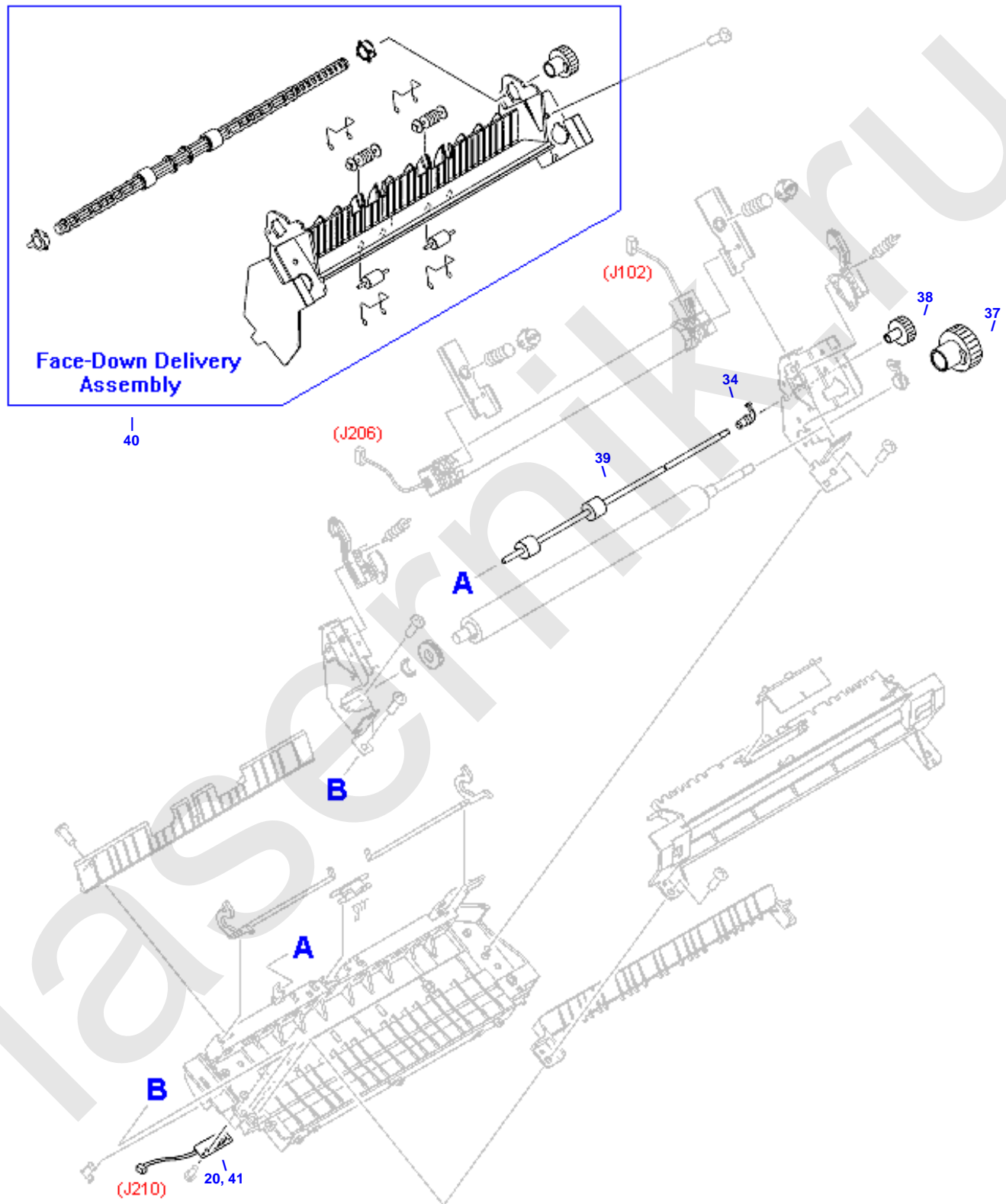


27





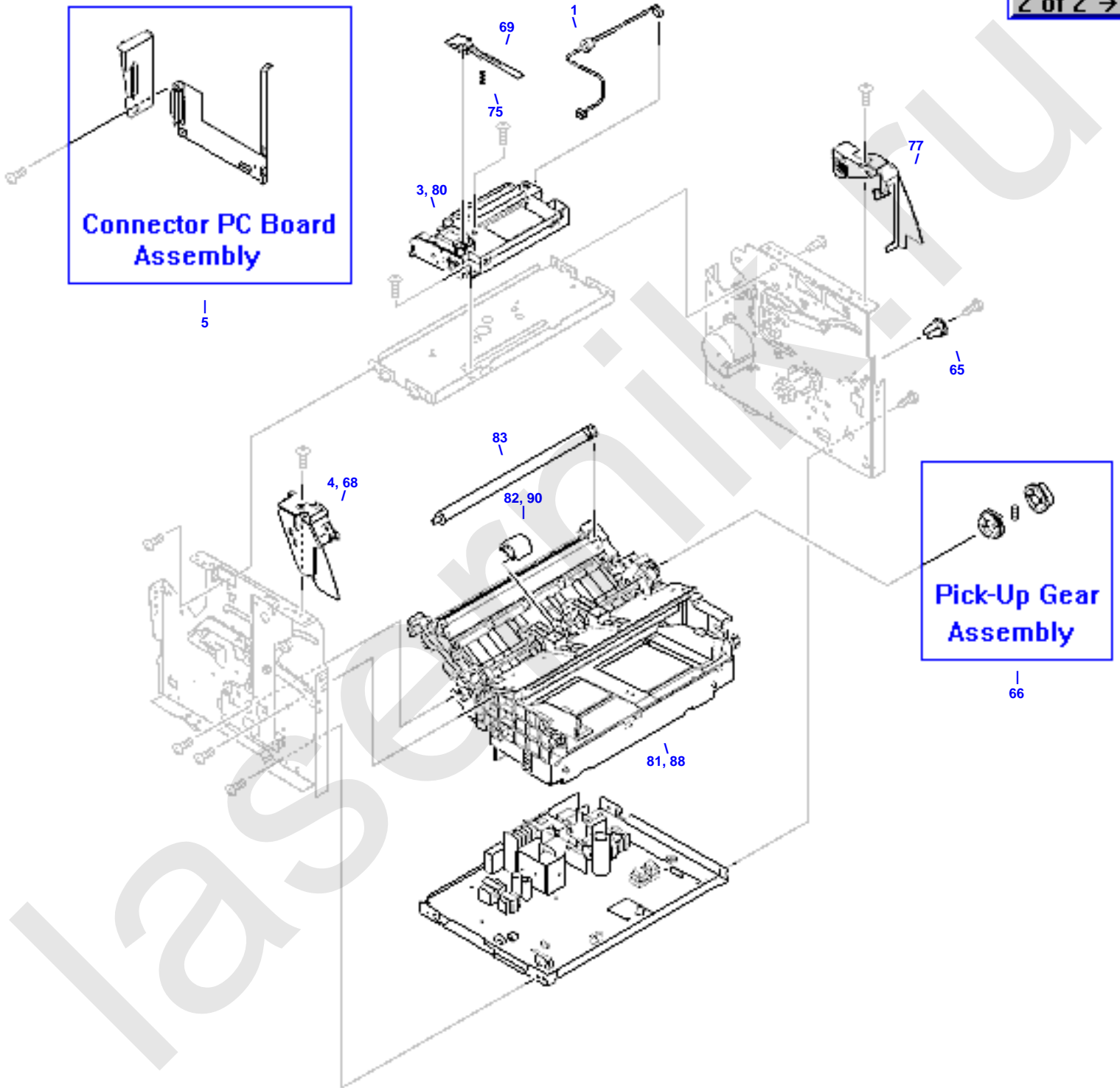
## Fusing Assembly Parts

 **Fusing Assembly** - 35, 36, 78, 79



Internal Components (1 of 2)

2 of 2 →

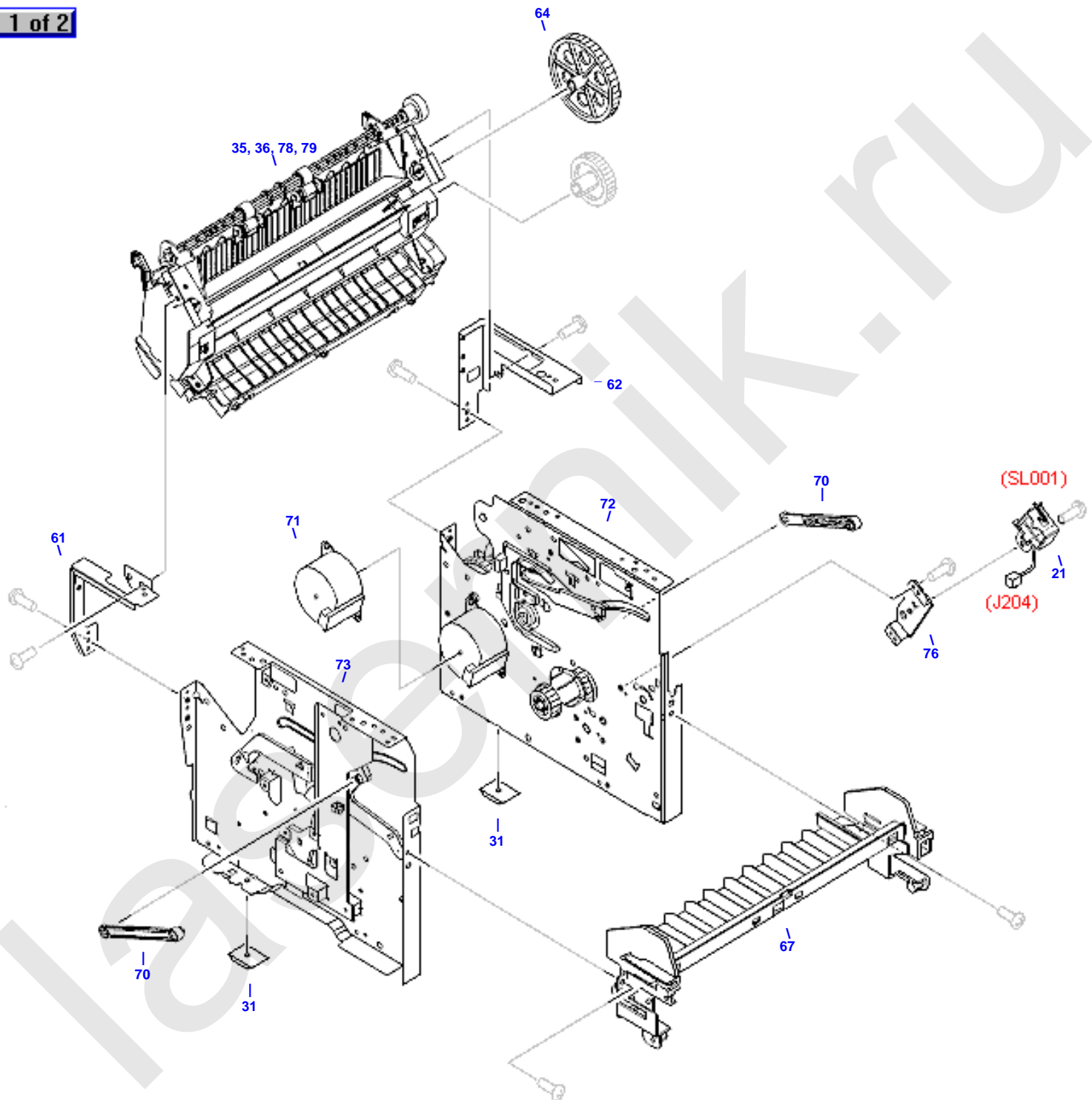




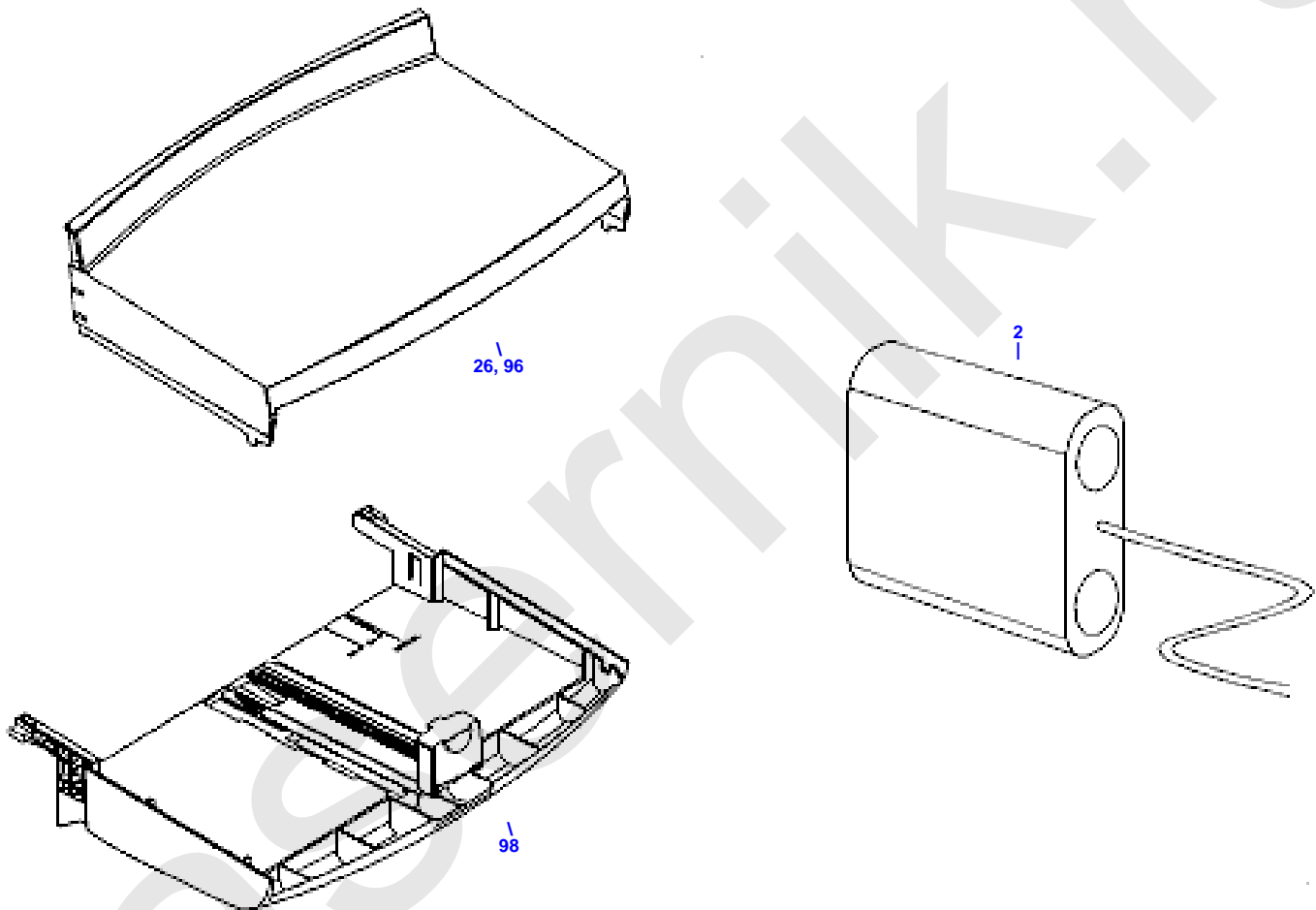
invent

Internal Components (2 of 2)

← 1 of 2




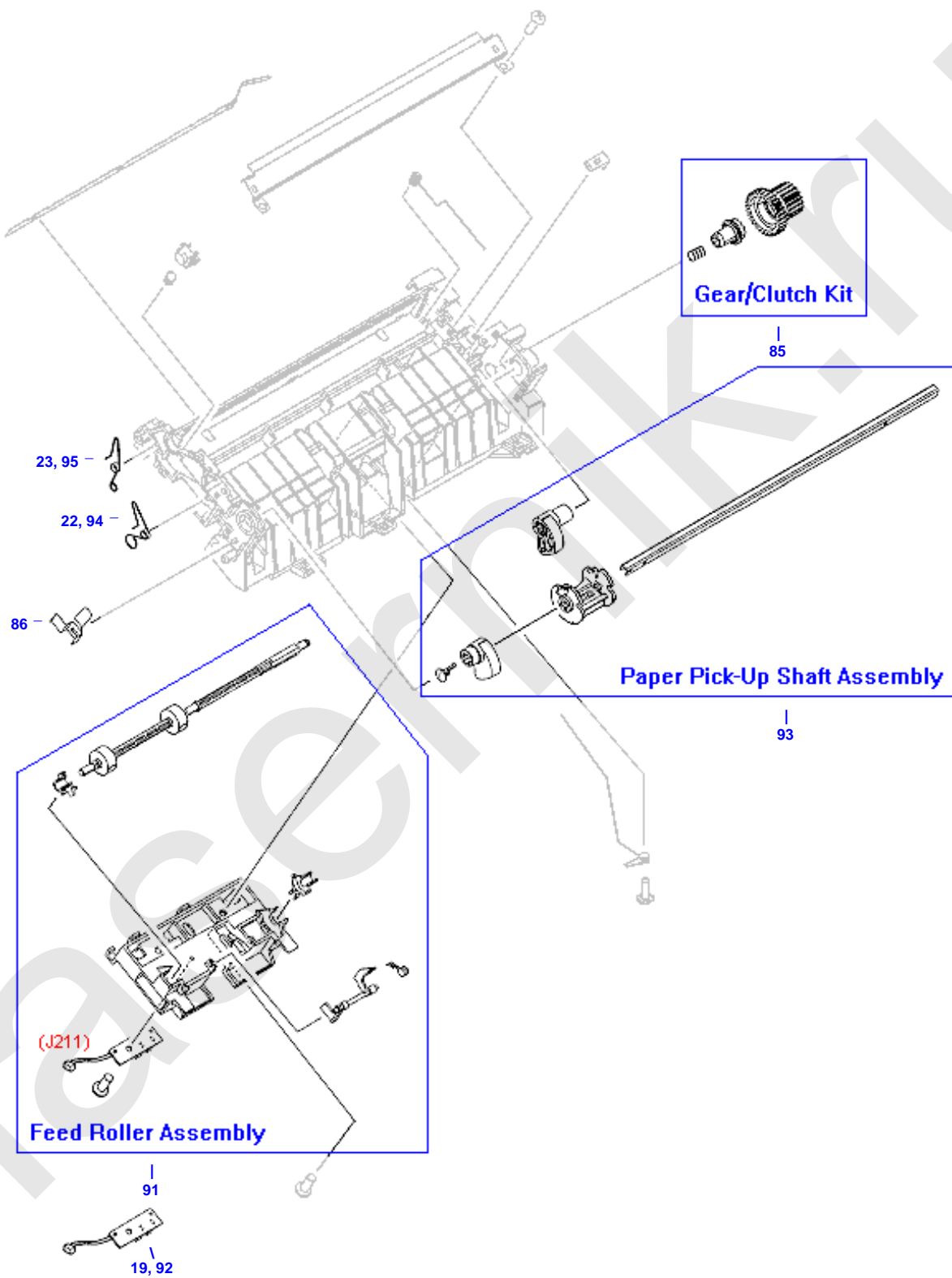
Media Tray and Cable Pod Assembly



Paper Pick-Up Assembly (1 of 2)

 Paper Pick-Up Assembly - 81, 88

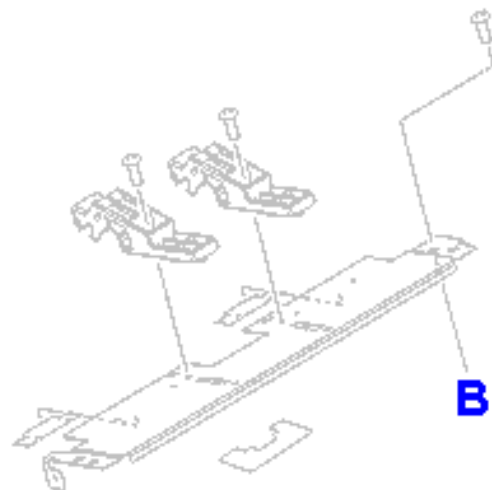
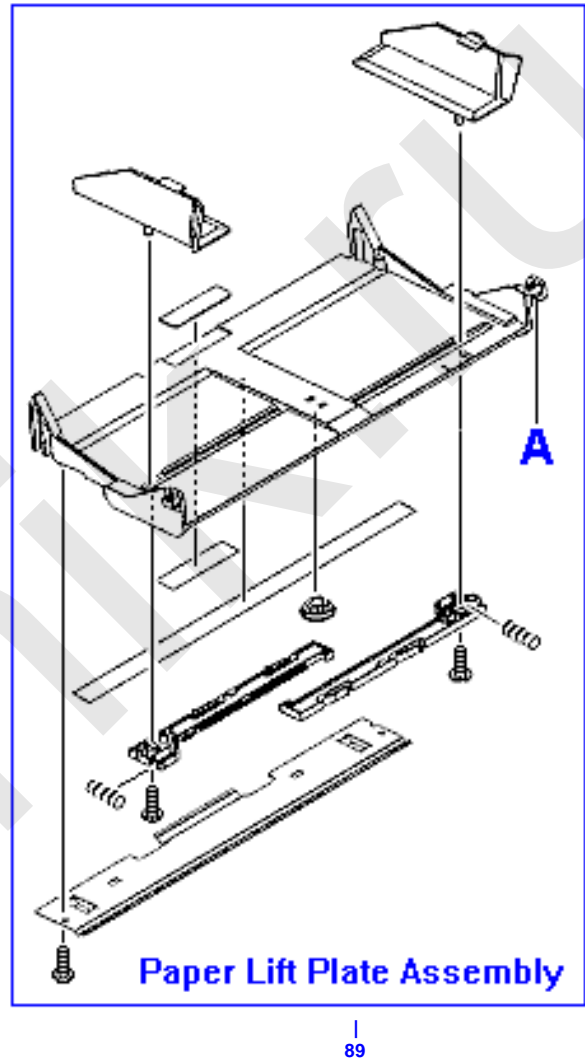
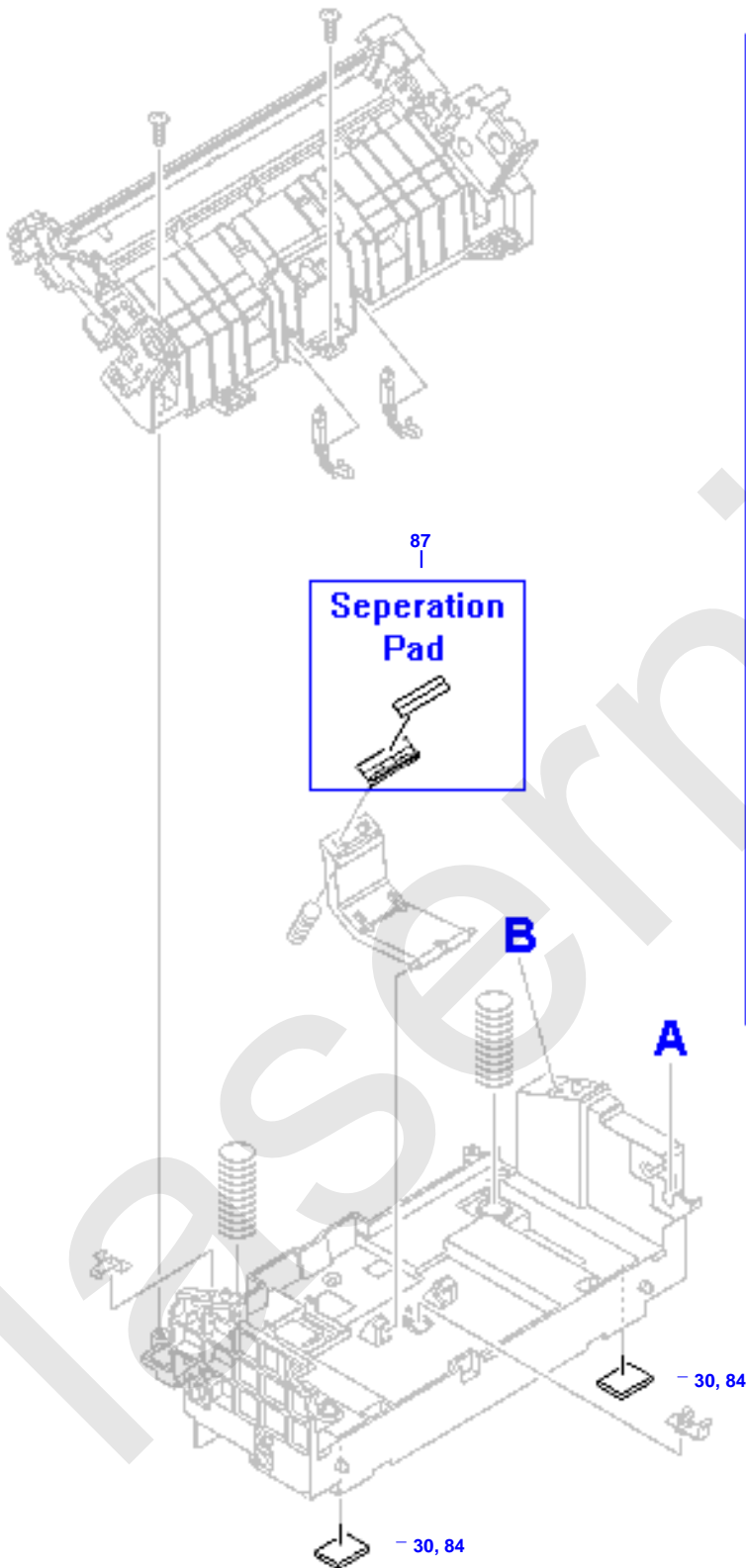
 2 of 2 



Paper Pick-Up Assembly (2 of 2)

← 1 of 2


■ Paper Pick-Up Assembly - 81, 88





Screw Kit



 LaserJet 1000/1200 Scw Kit - 60



**HP Parts Reference Guide**

<http://www.hp.com/go/parts>

**HP PartSurfer**

<http://partsurfer.hp.com>

**HP Parts Ordering Information**

<http://www.hp.com/go/hpparts>

**HP Parts Questions/Comments**

<http://partsurfer.hp.com/contactus.htm>

laser.nik.ru